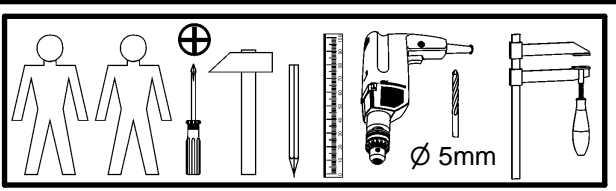
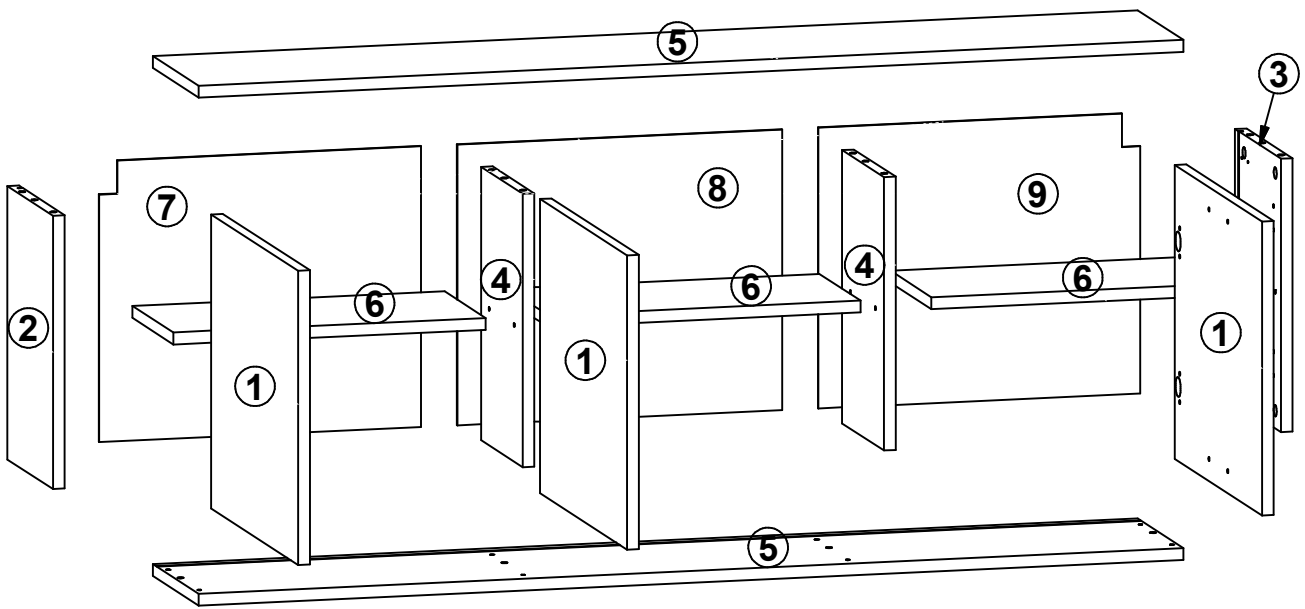
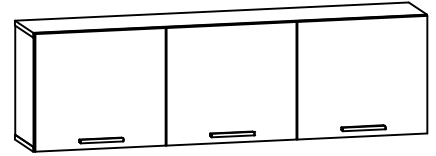
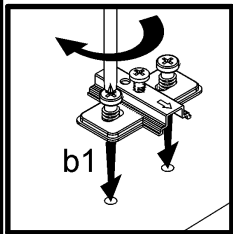
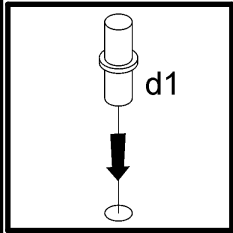
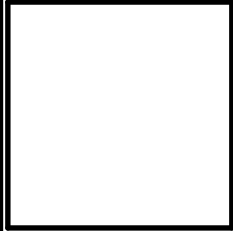
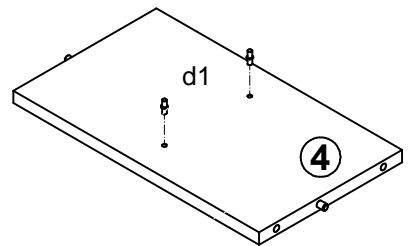
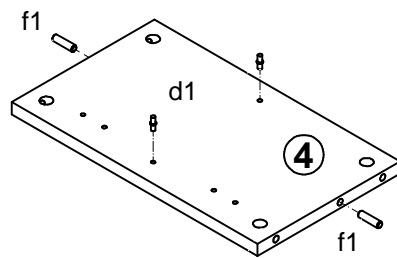
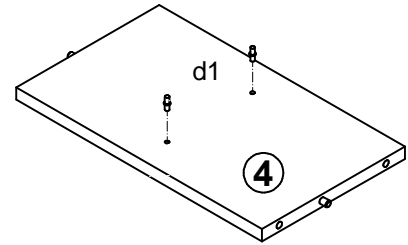
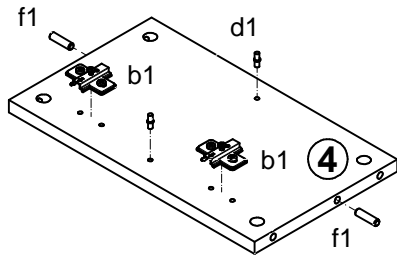
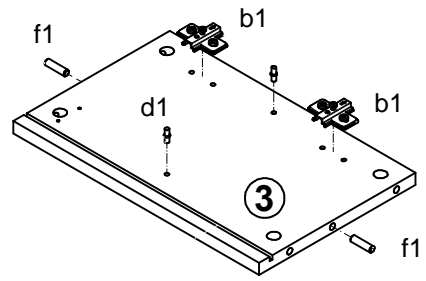
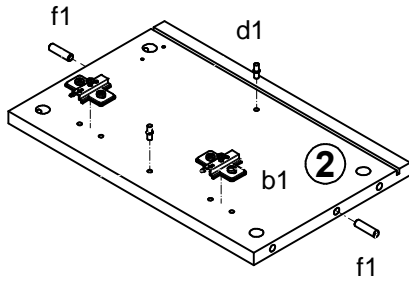


A	B	C	D	
1	S123-005	396	446	1/1
2	S123-105	368	234	1/1
3	S123-106	368	234	1/1
4	S123-107	368	214	1/1
5	S123-204	1350	234	1/1
6	S123-302	428	210	1/1
7	S123-904	378	441	1/1
8	S123-905	378	445	1/1
9	S123-906	378	441	1/1

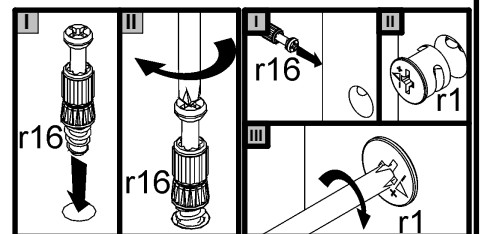
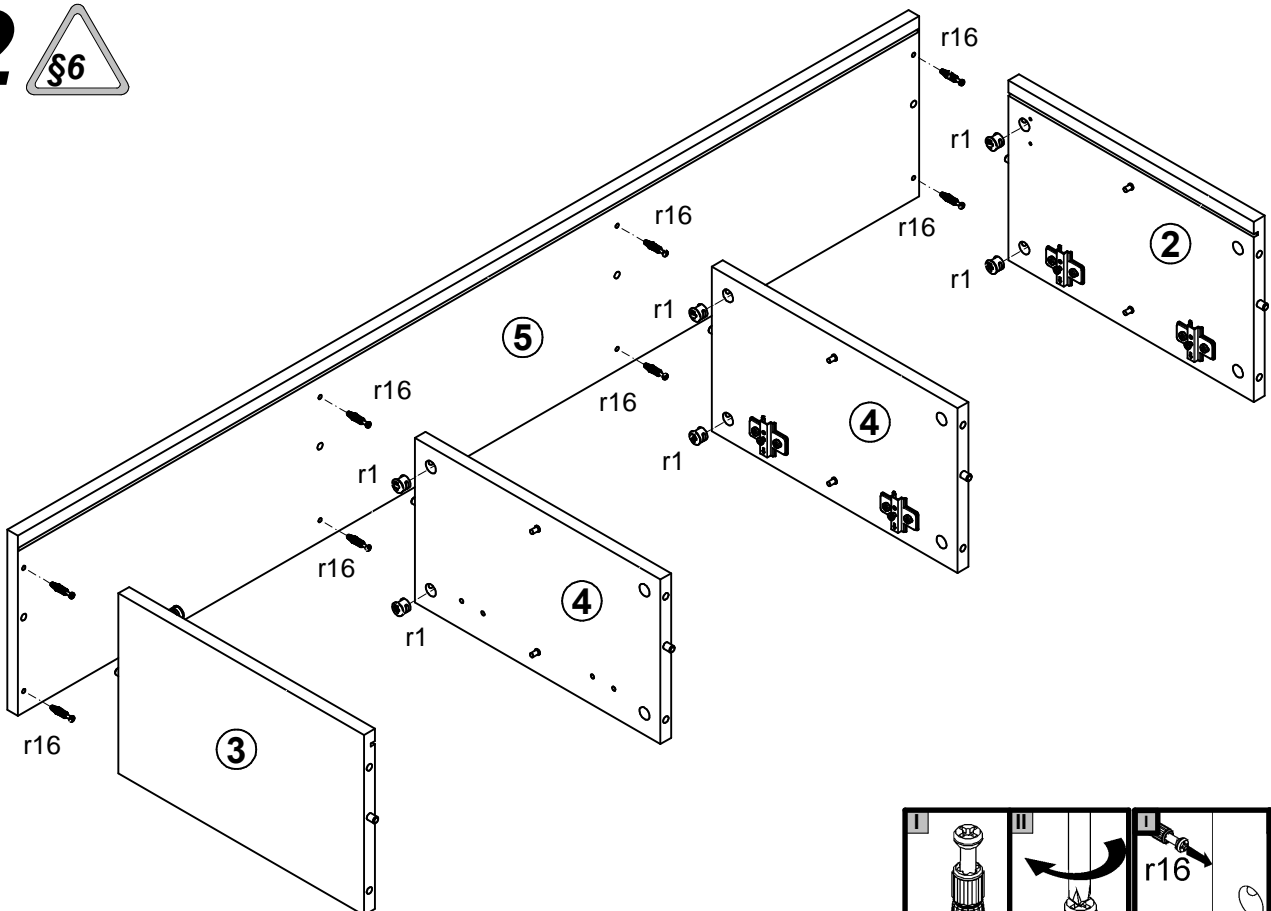


4x  a2	2x  a54	6x  b1	3x  c235	12x  d1	8x  f1	2x  f35	16x  l1	8x  l2
1x  n38L	1x  n38P	4x  p21	2x  p75	6x  p9	16x  r1	16x  r16	14x  s2	

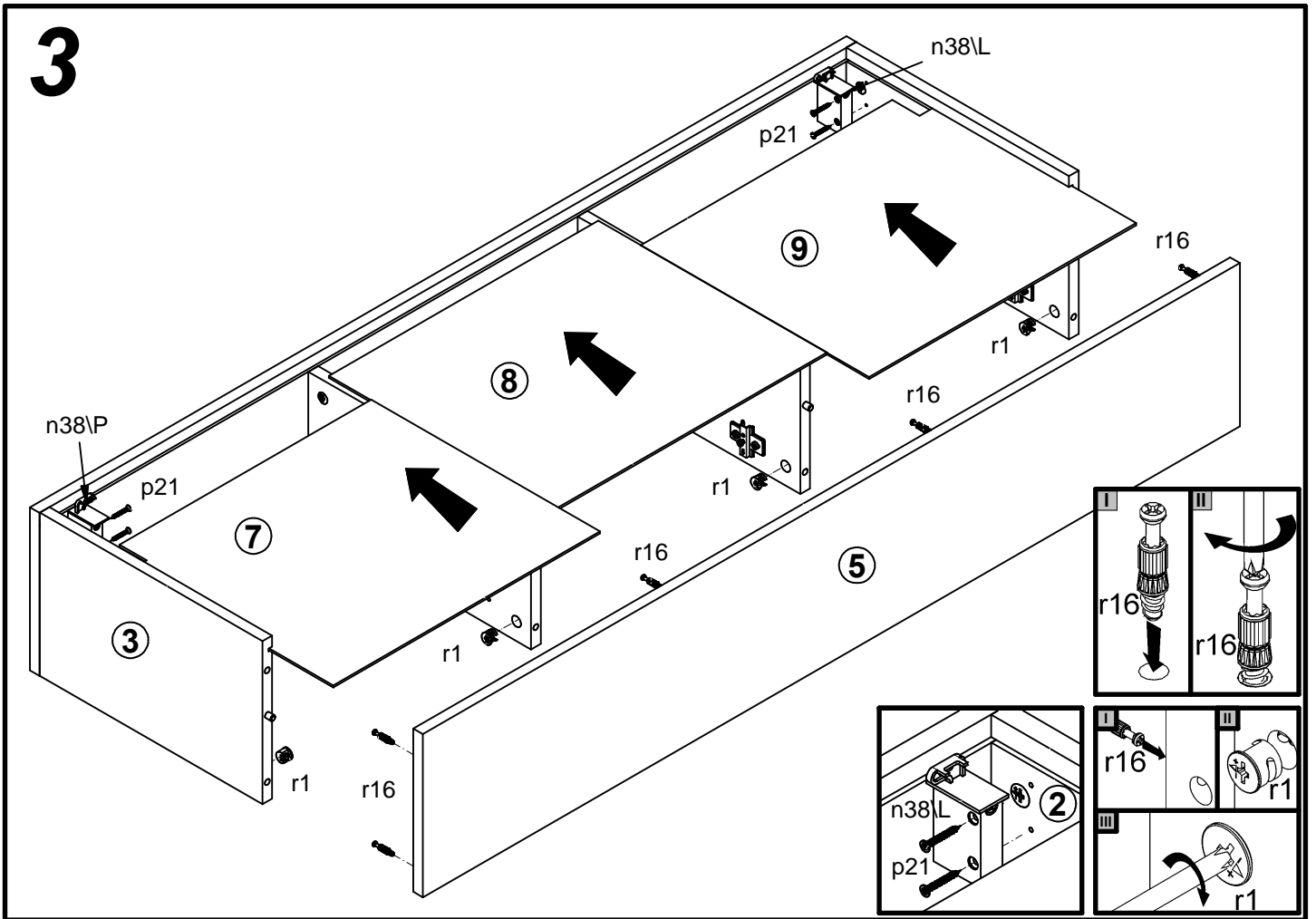
# 1



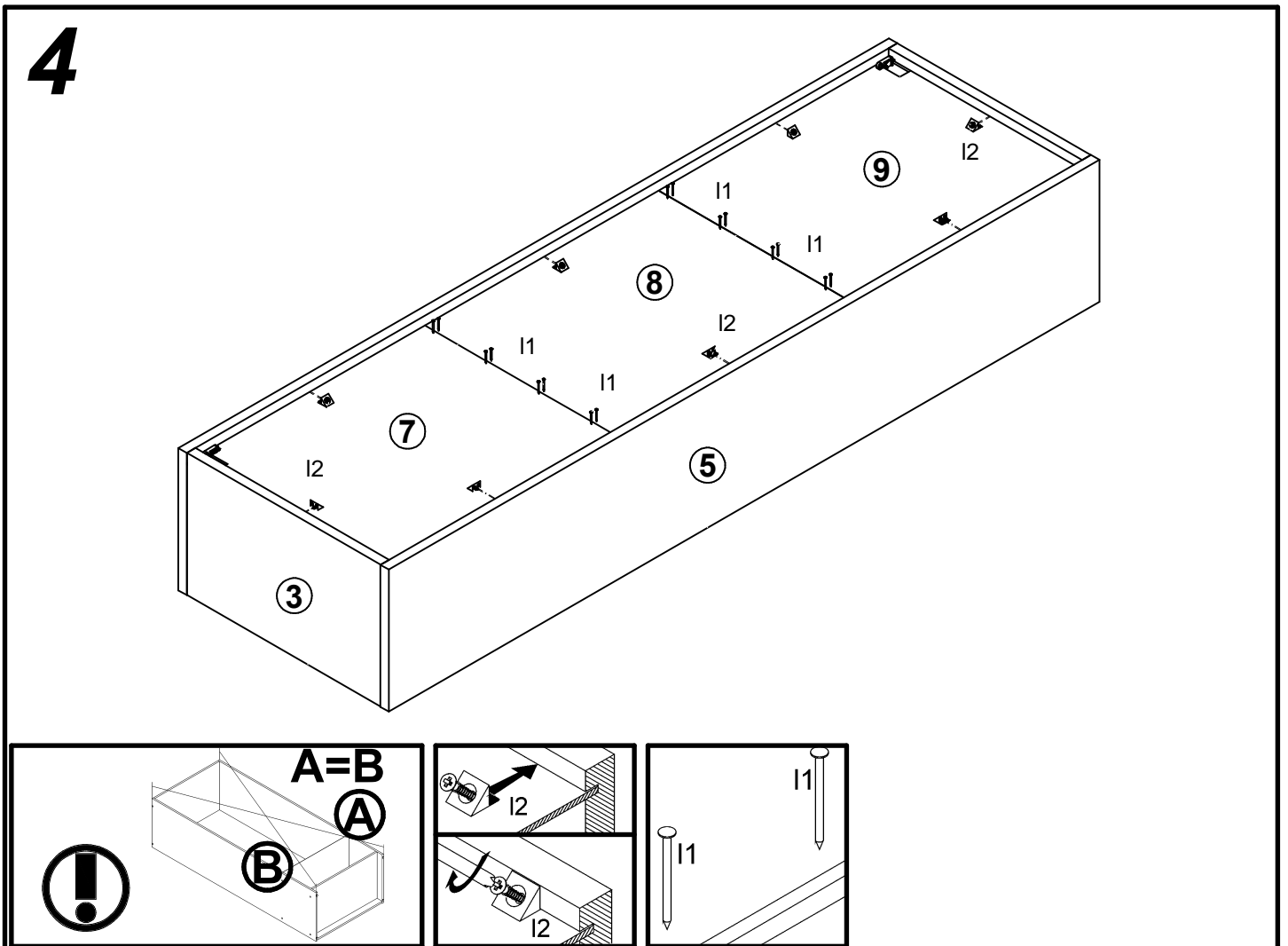
# 2



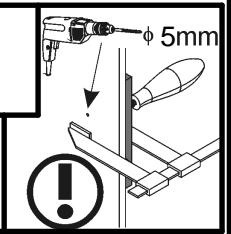
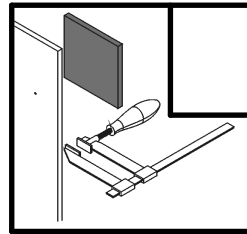
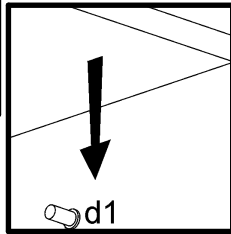
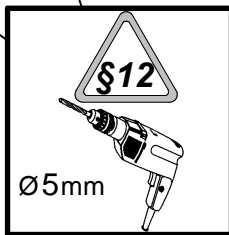
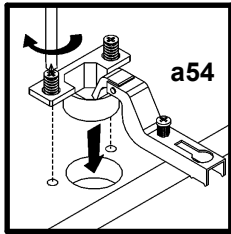
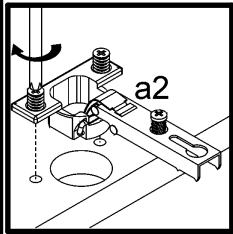
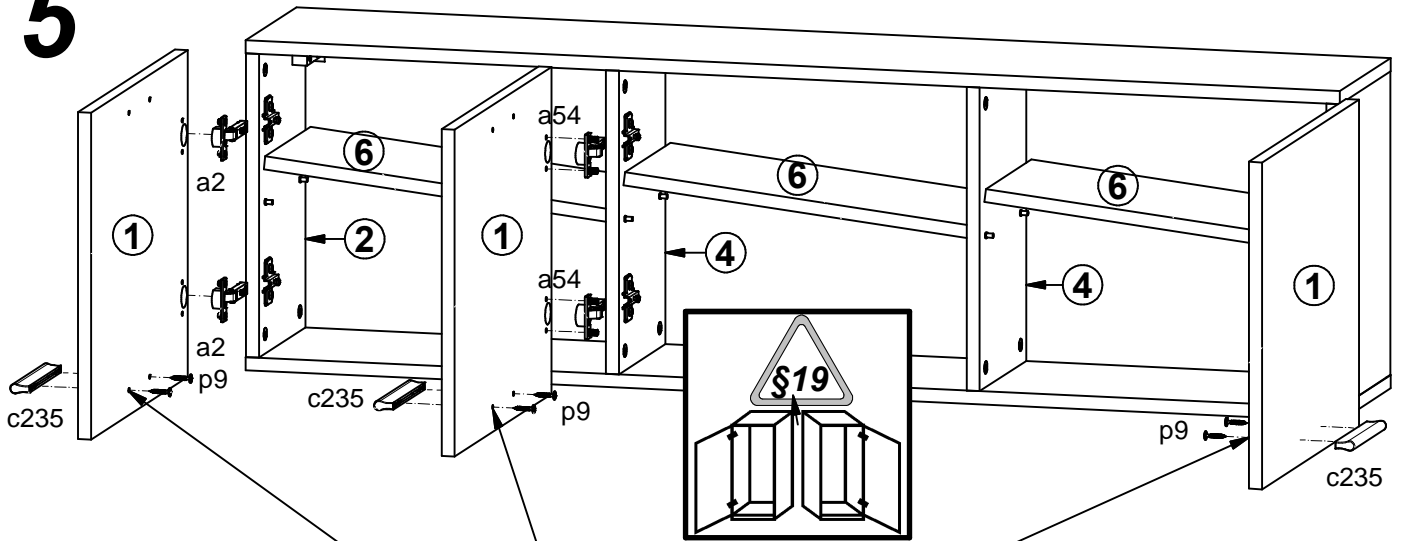
# 3



# 4



# 5



# 6

