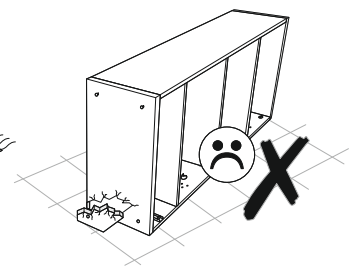
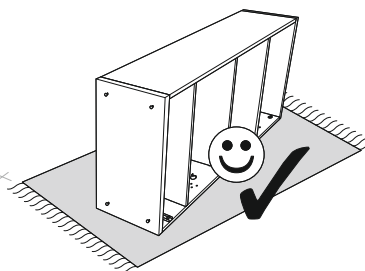
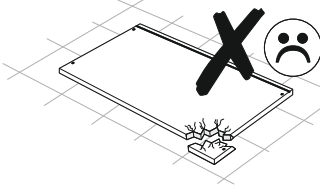
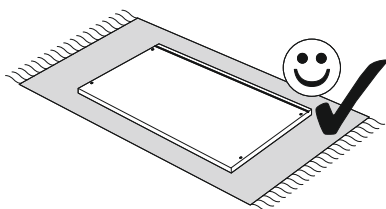
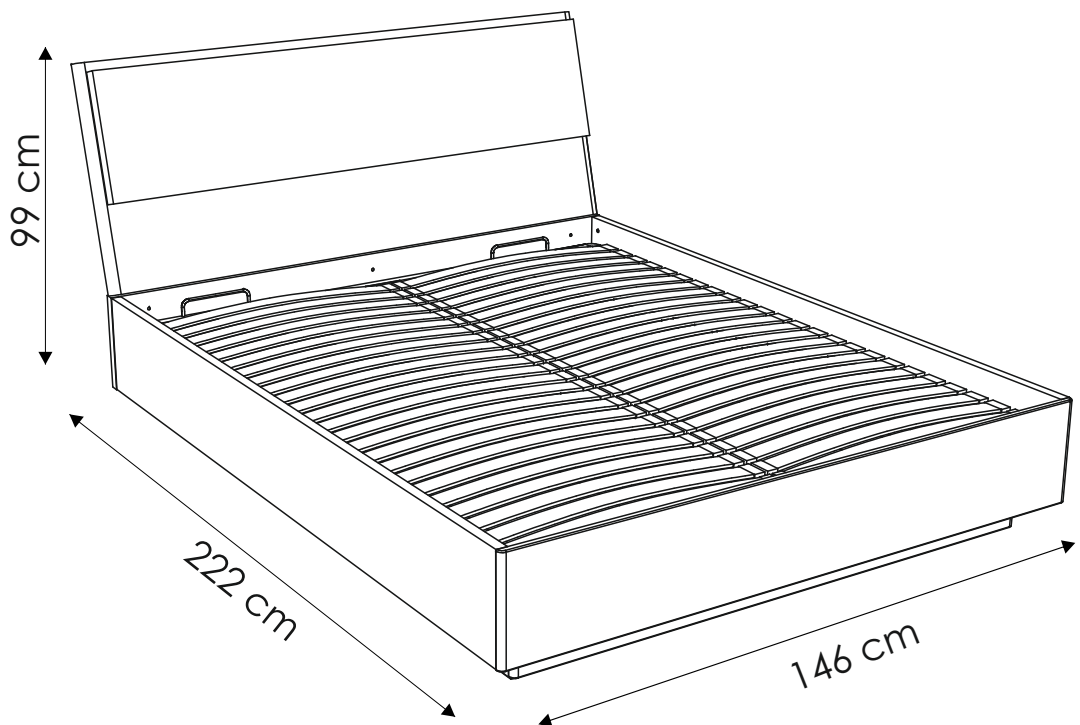
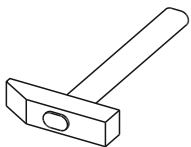
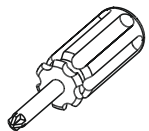
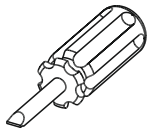
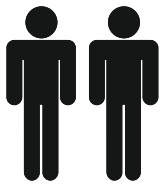
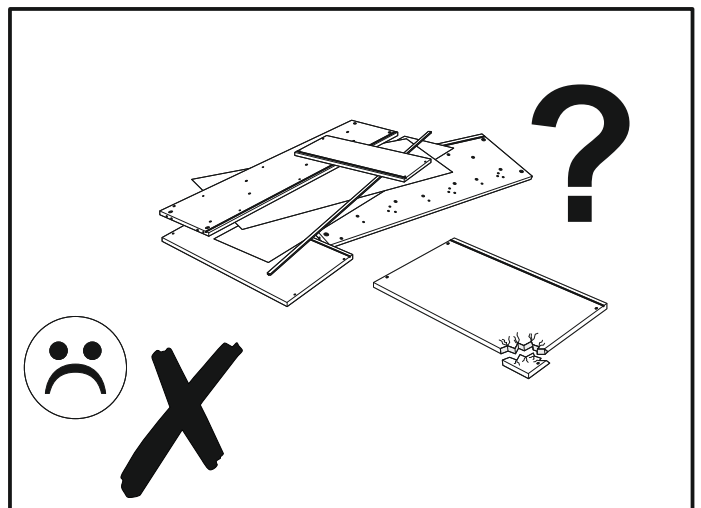
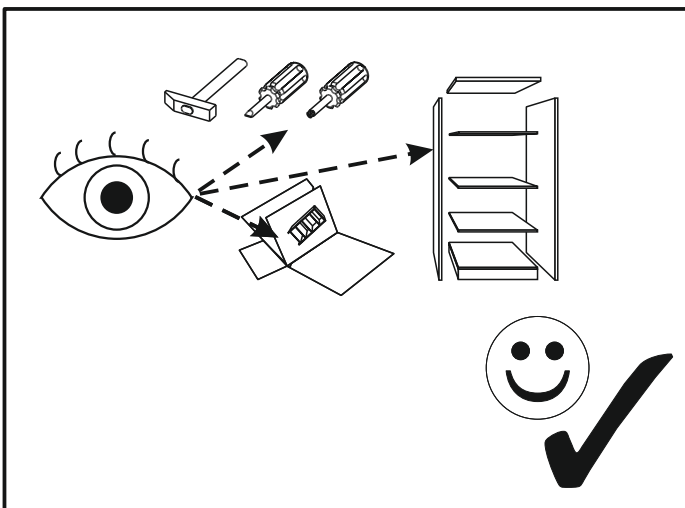
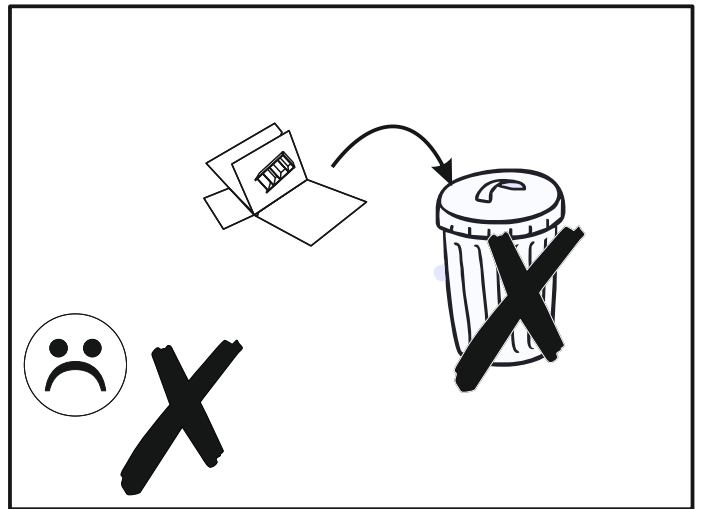
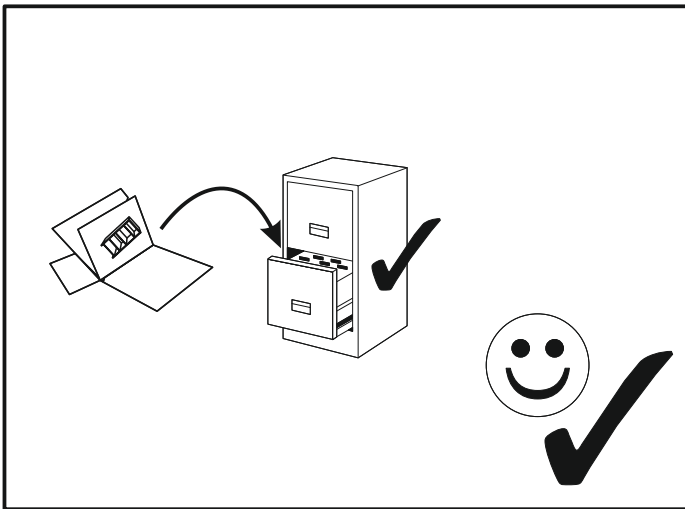
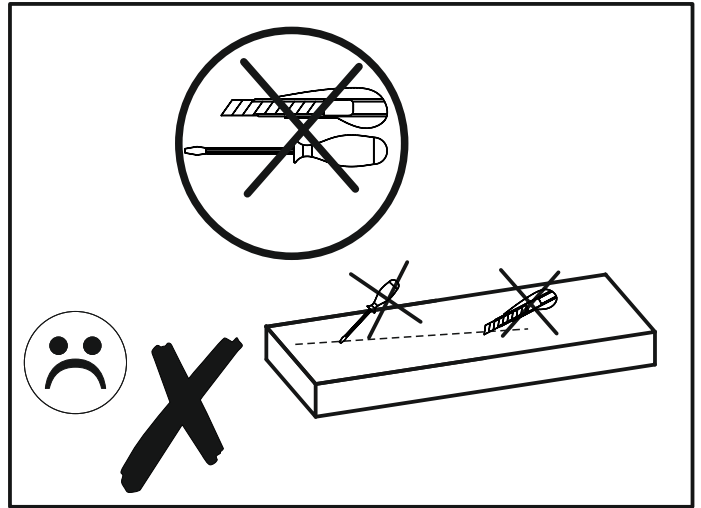
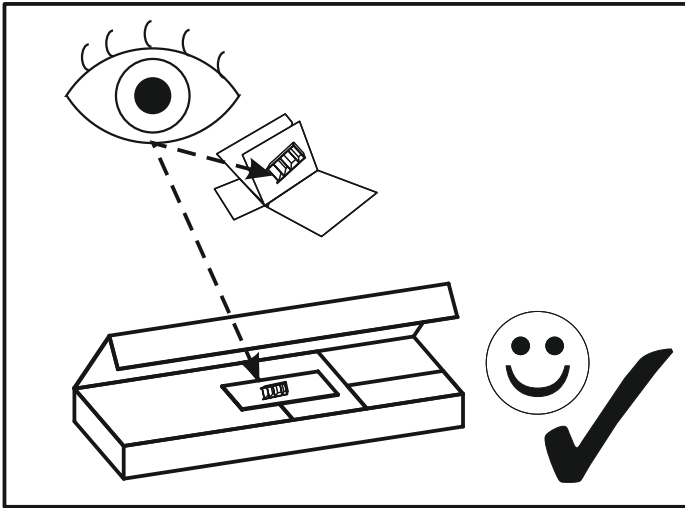
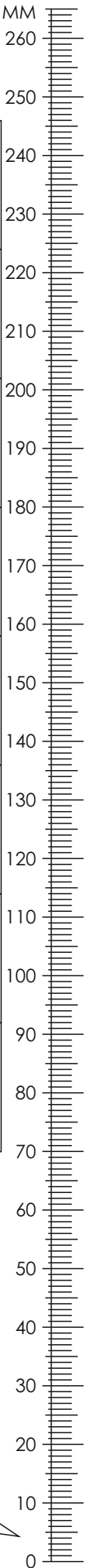


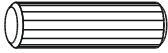
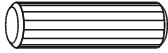
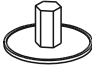









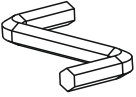
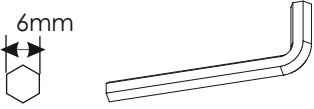
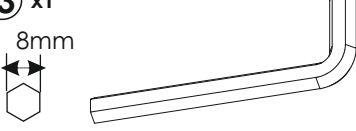



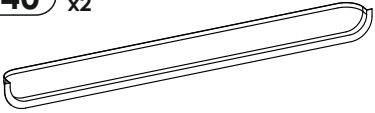


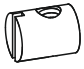
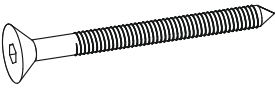

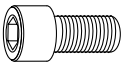

SUMMER TYP 91

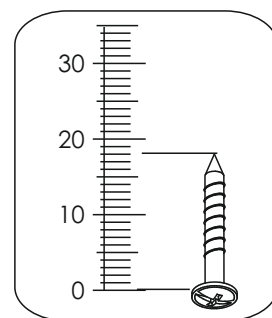
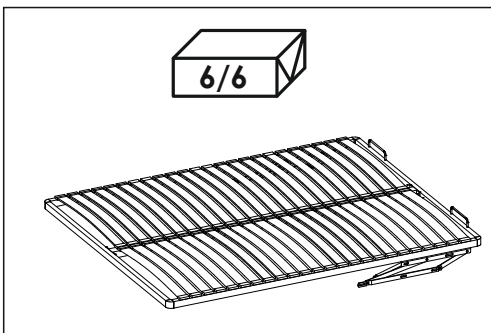




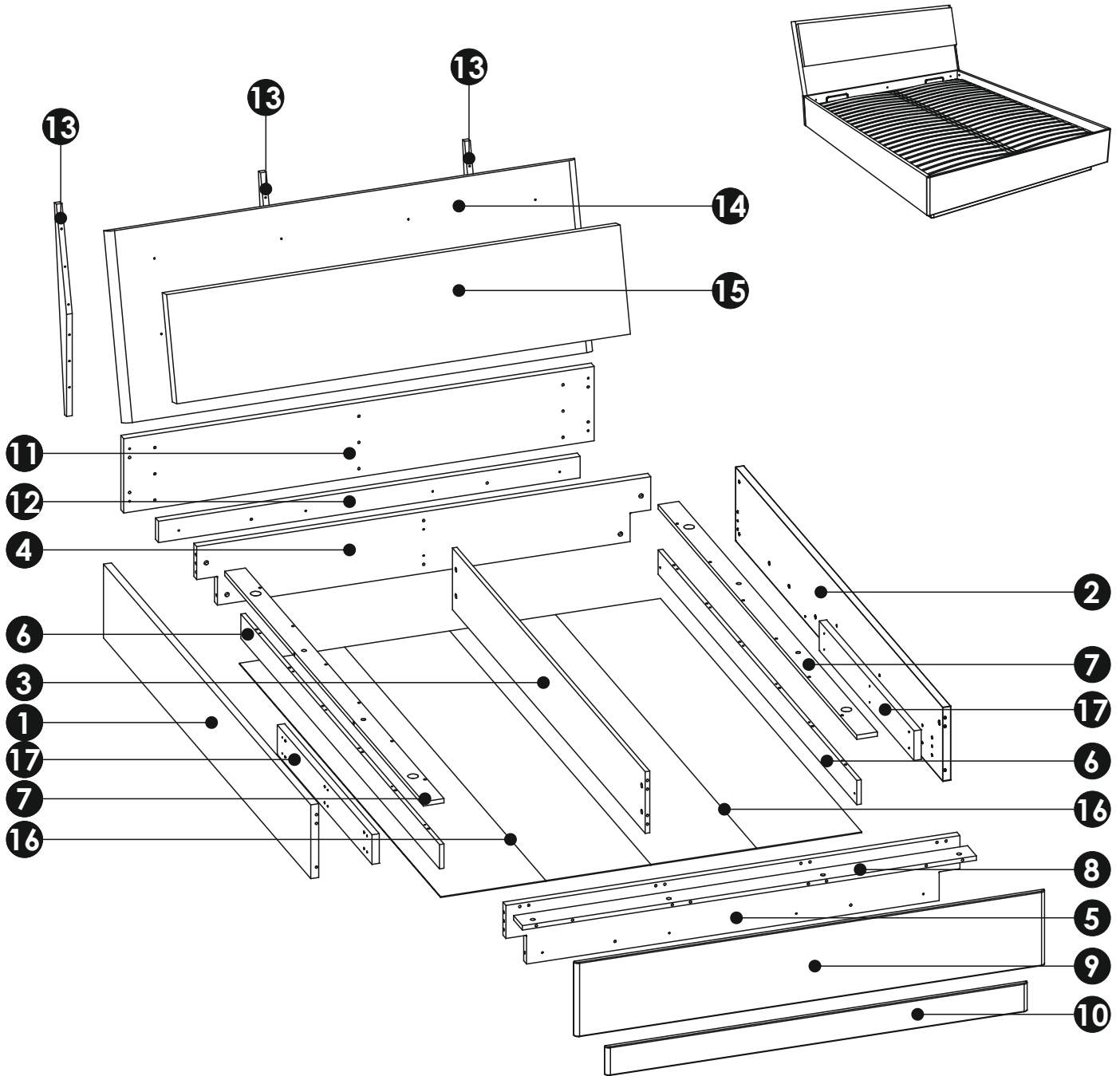
SUMMER TYP 91



A0 x16 $\phi 8 \times 24$ mm 	A1 x40 $\phi 8 \times 35$ mm 	E0 x22 
E1 x22 	F1 x22 	G0 x25 
G1 x12 $\phi 7 \times 50$ mm 	G2 x13 $\phi 7 \times 60$ mm 	I5 x12 4 x 45 mm 
I6 x20 4 x 40 mm 	I7 x9 4 x 35 mm 	I15 x10 3,5 x 16 mm 
M x1 	M2 x1 6mm 	M3 x1 8mm 
N1 x100 3 x 16mm 	O21 x25 	P16 x12 
P40 x2 	R1 x13 	R22 x6 
S1 x4 	S2 x4 M6x70 	S18 x6 
S19 x6 M8x25 	W16 x4 	



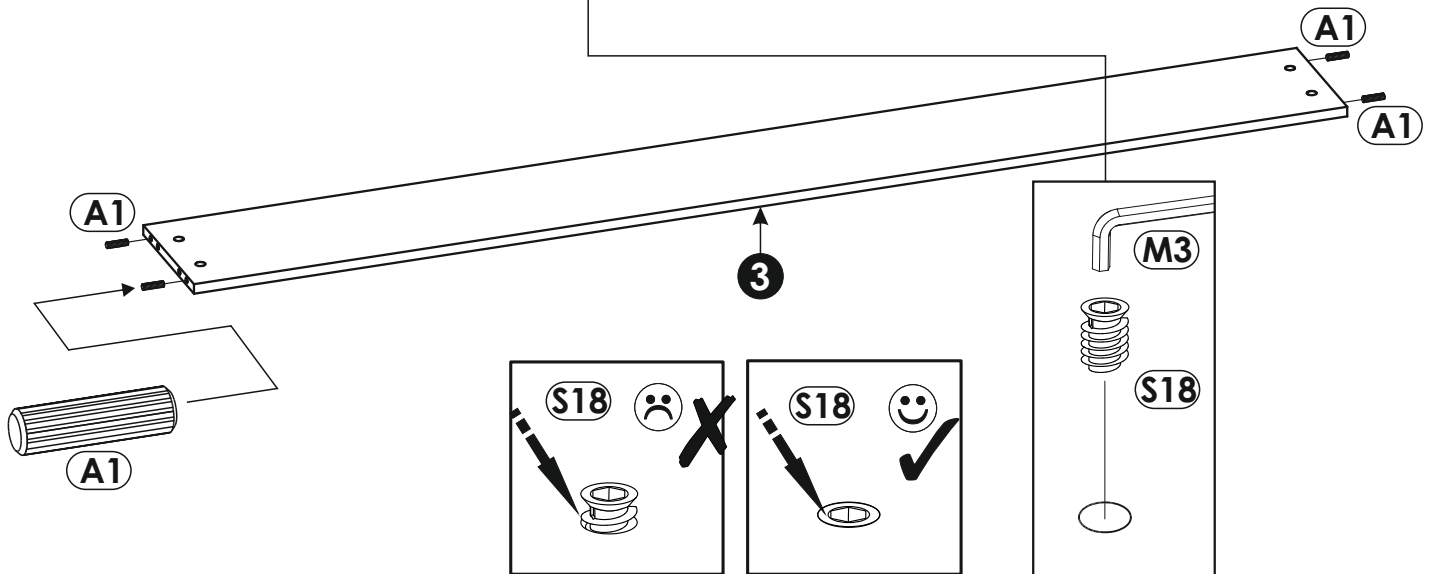
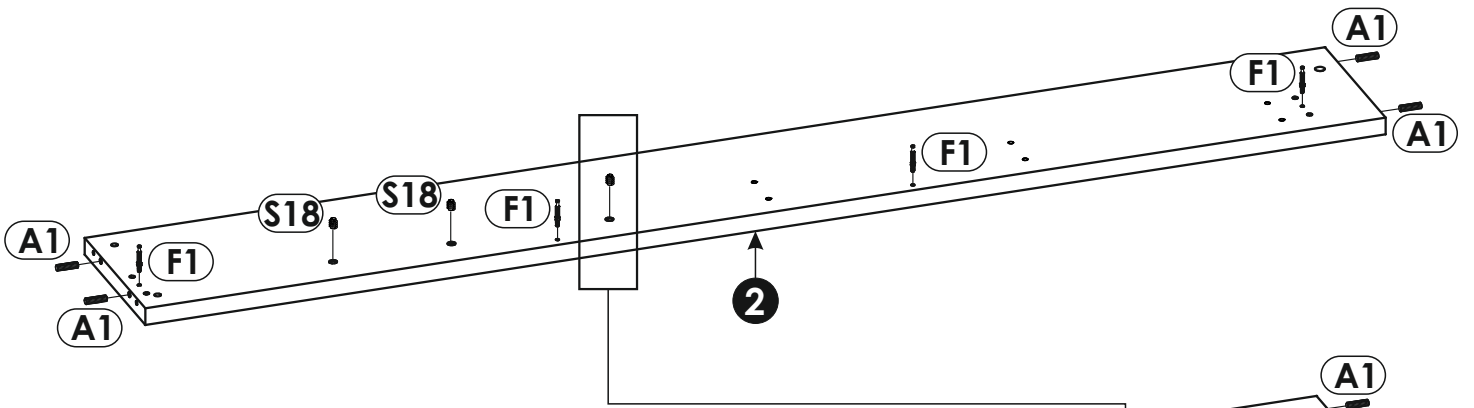
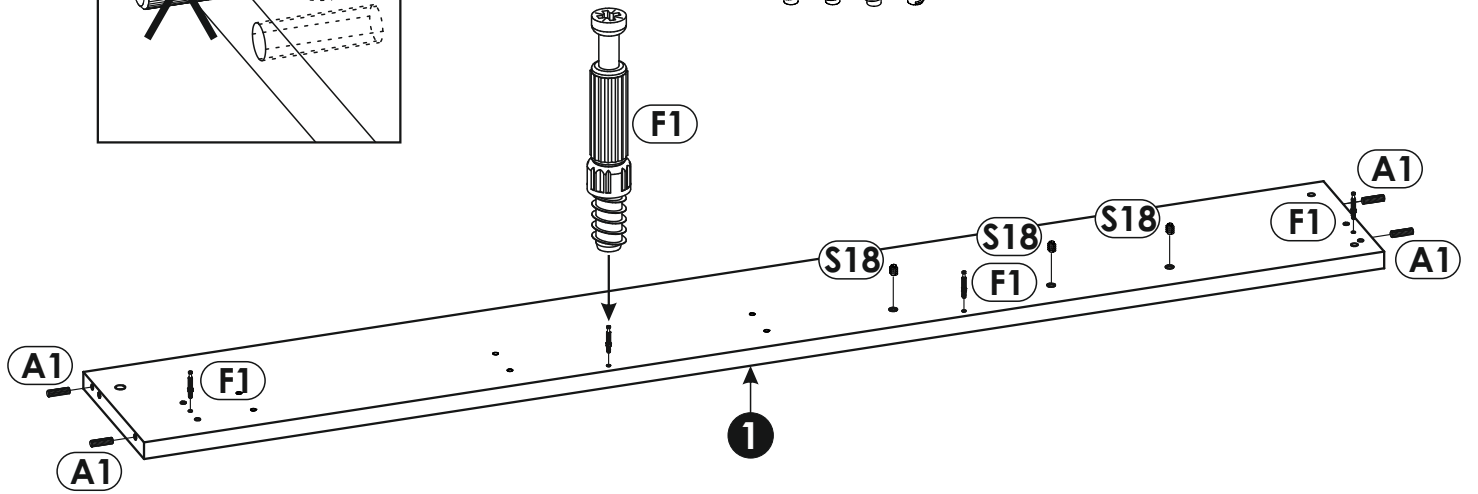
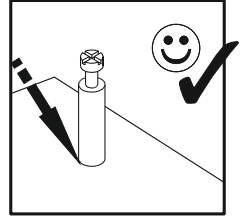
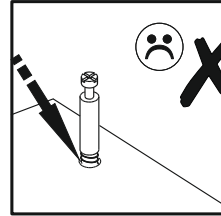
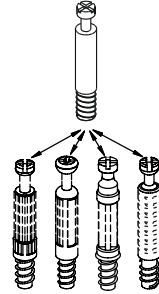
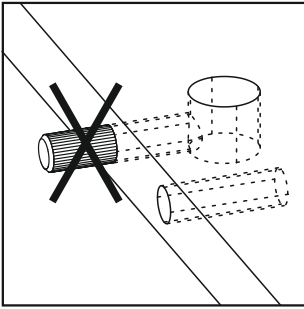
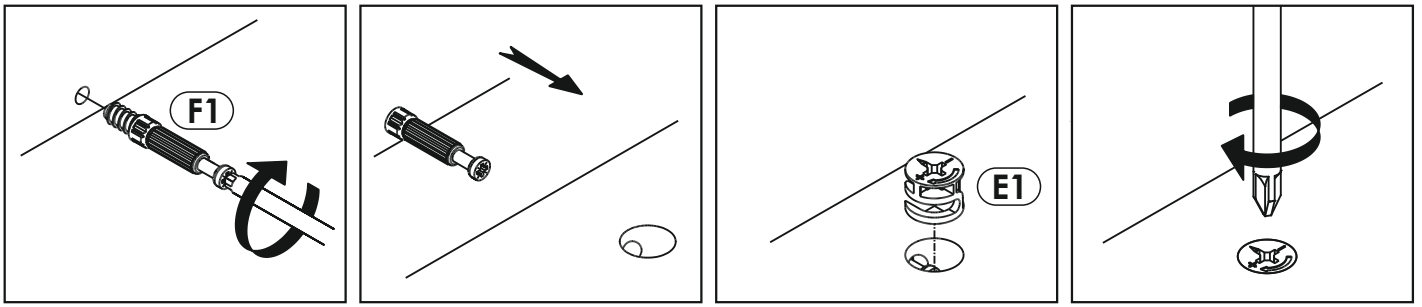
SUMMER TYP 91



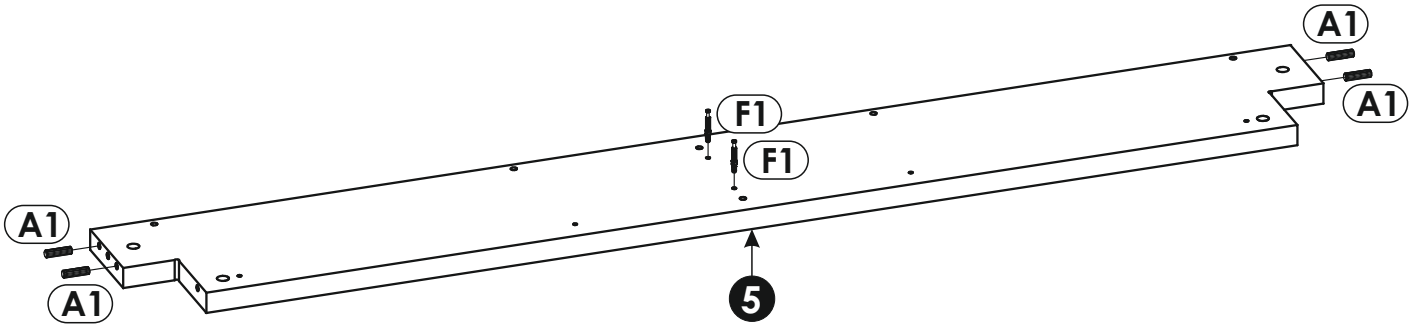
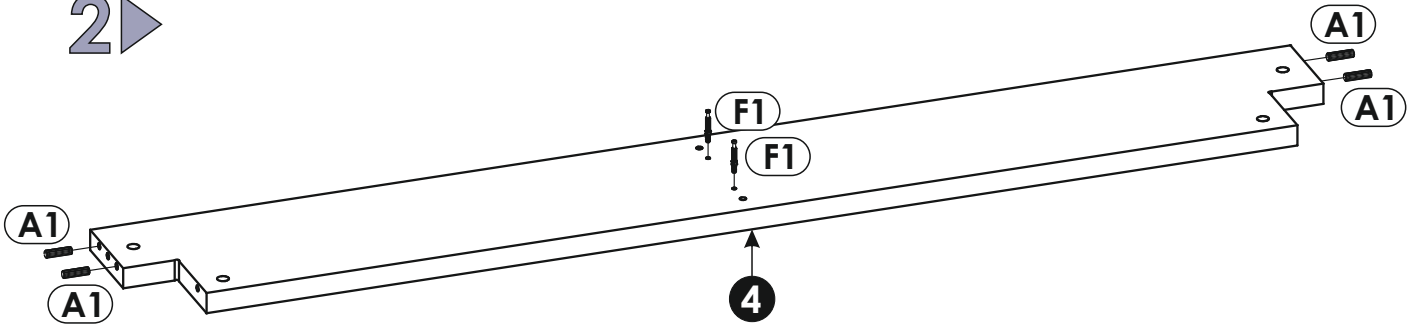
1	2010	270	28	x1	3/6
2	2010	270	28	x1	3/6
3	1869	226	16	x1	1/6
4	1402	226	28	x1	2/6
5	1402	226	28	x1	2/6
6	1925	89	16	x2	4/6

7	1925	73	16	x2	4/6
8	1402	85	16	x1	1/6
9	1460	272	16	x1	1/6
10	1290	105	16	x1	1/6
11	1460	272	28	x1	1/6
12	1288	78	28	x1	3/6

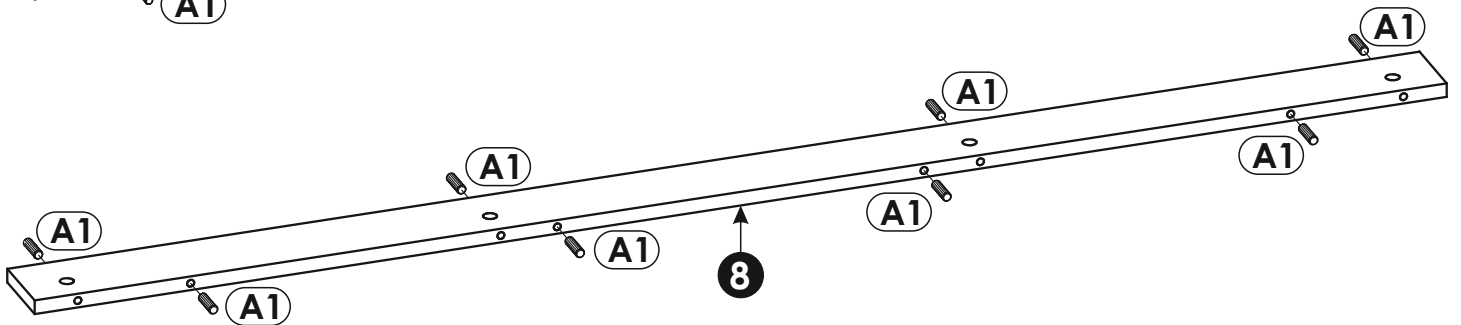
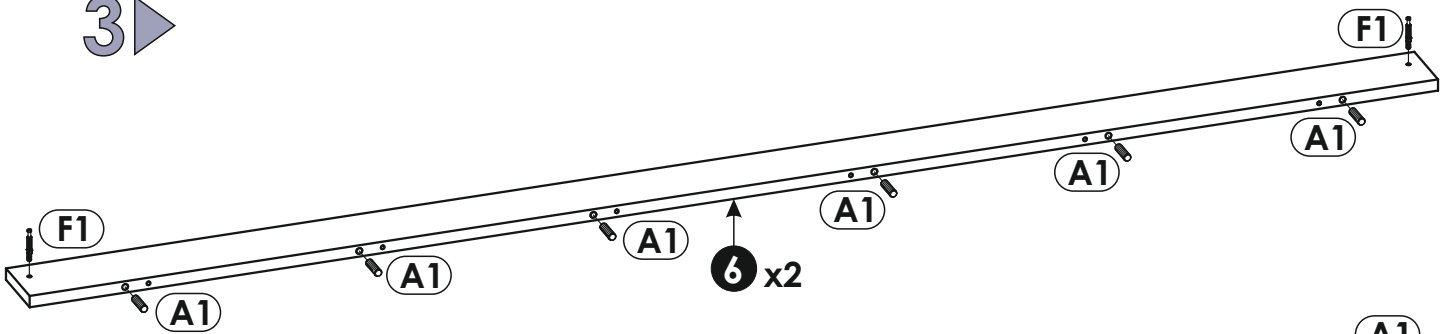
13	740	70	20	x3	4/6
14	1460	650	28	x1	2/6
15	1400	370	45	x1	5/6
16	1950	642	3	x2	4/6
17	1000	100	28	x2	3/6



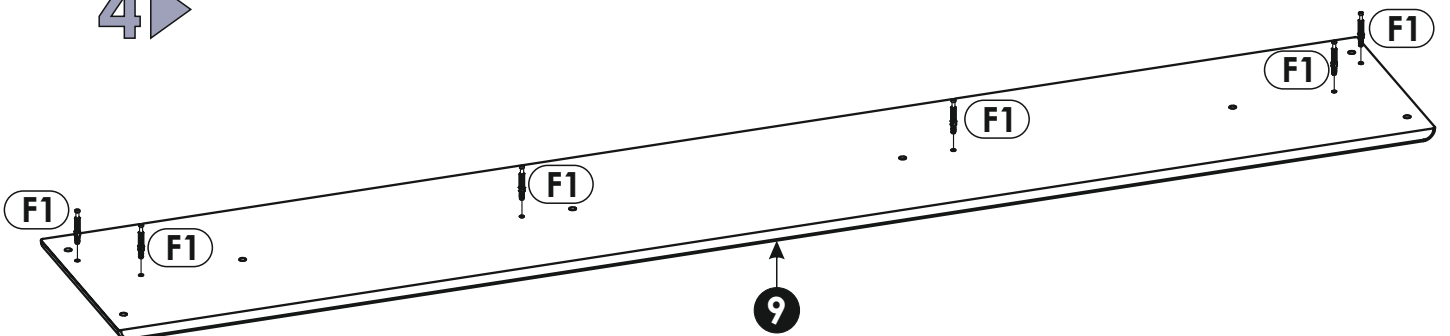
2 ▶



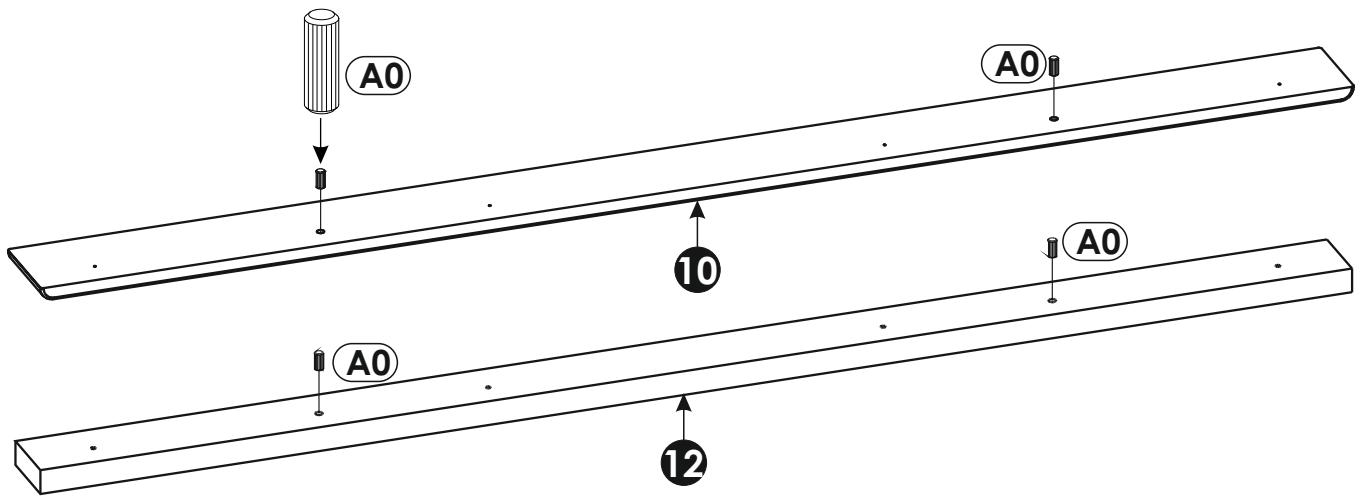
3 ▶



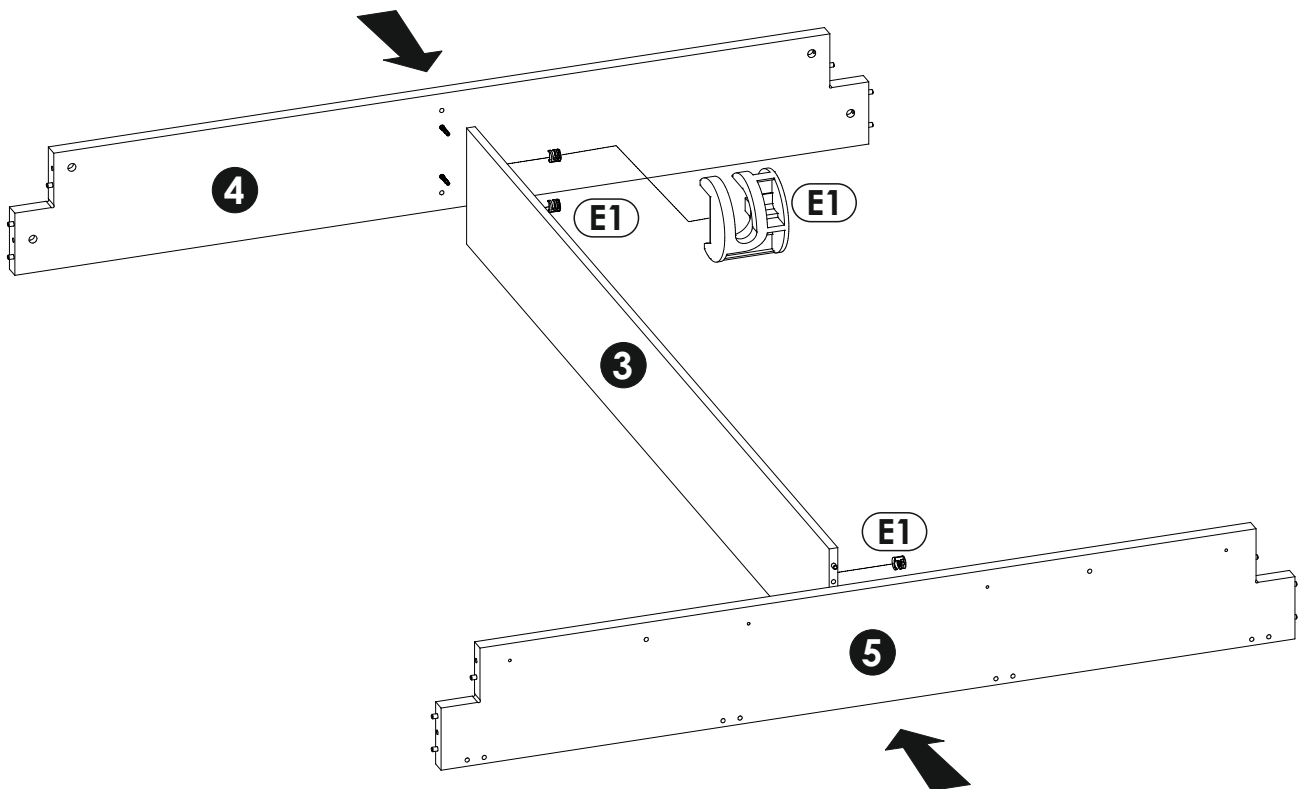
4 ▶



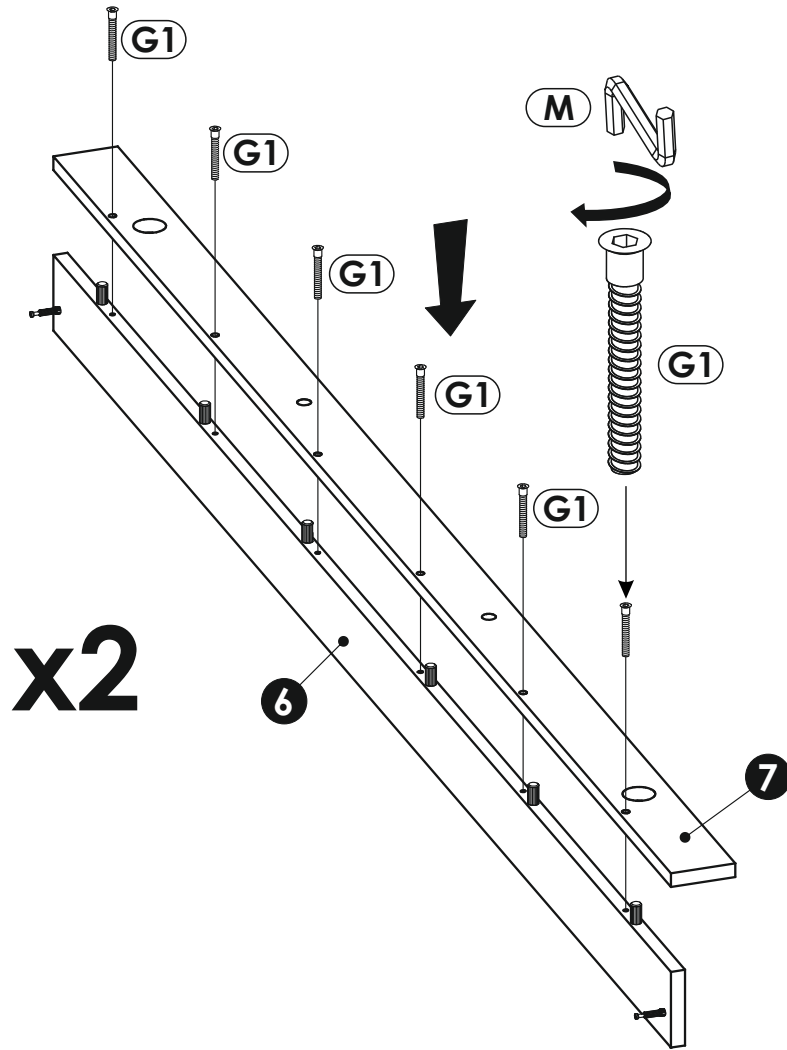
4 ▶



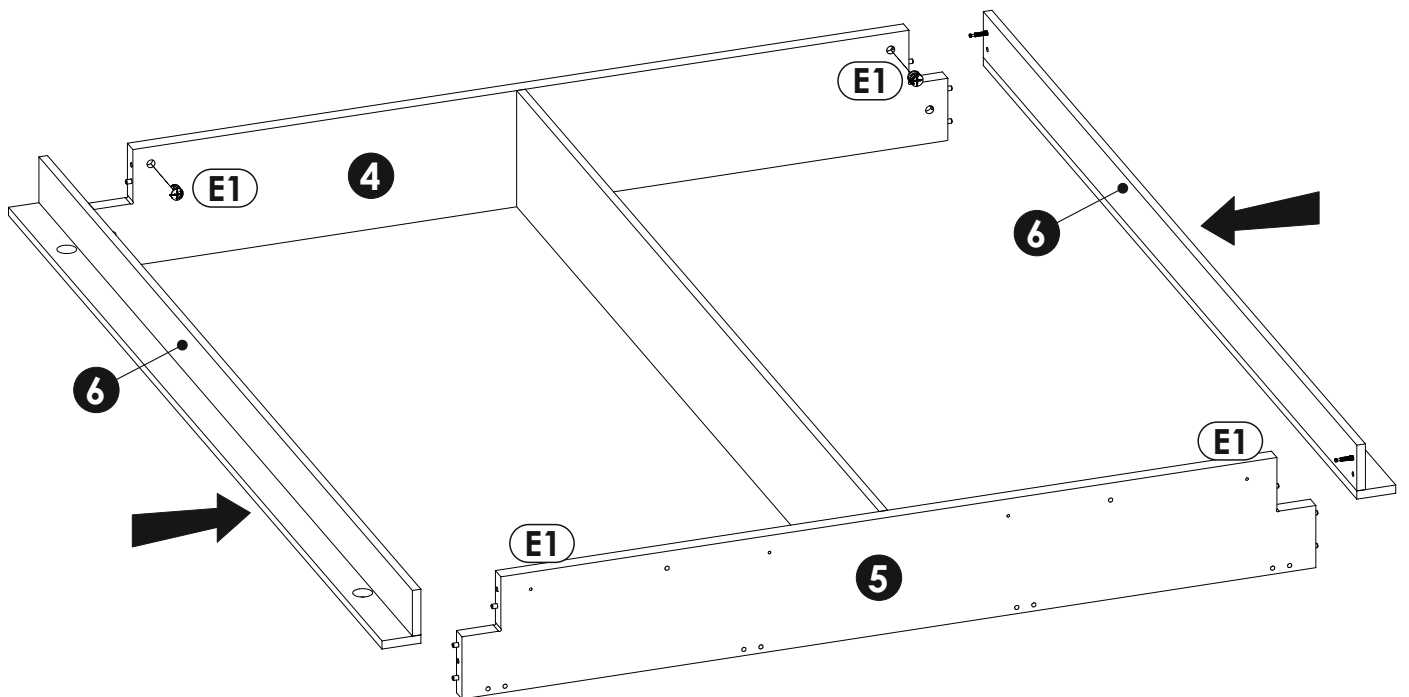
5 ▶



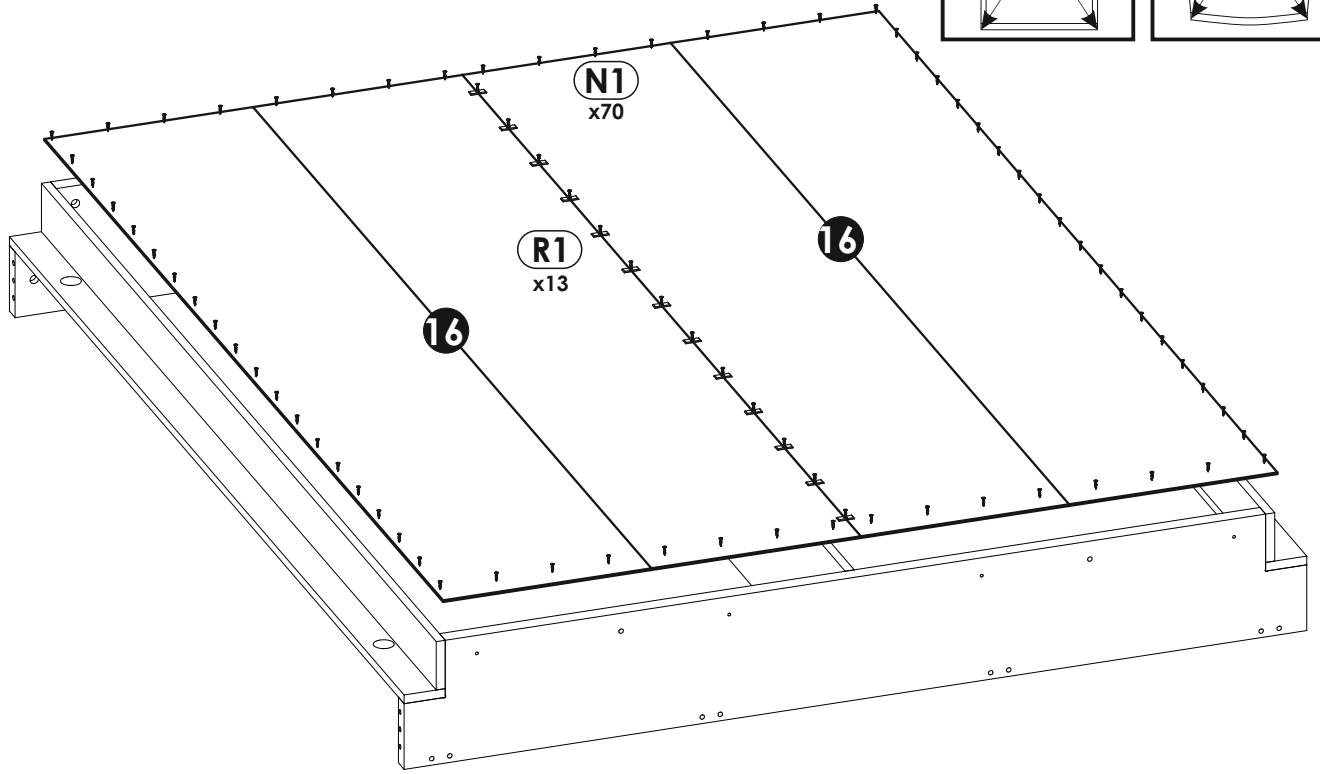
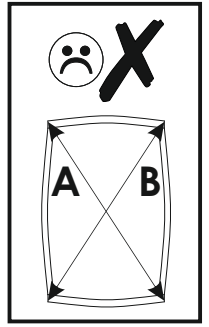
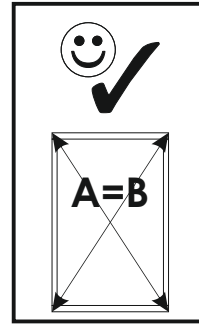
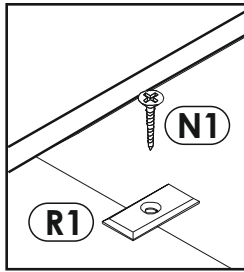
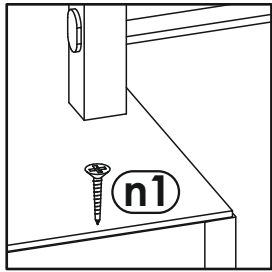
6 ▶



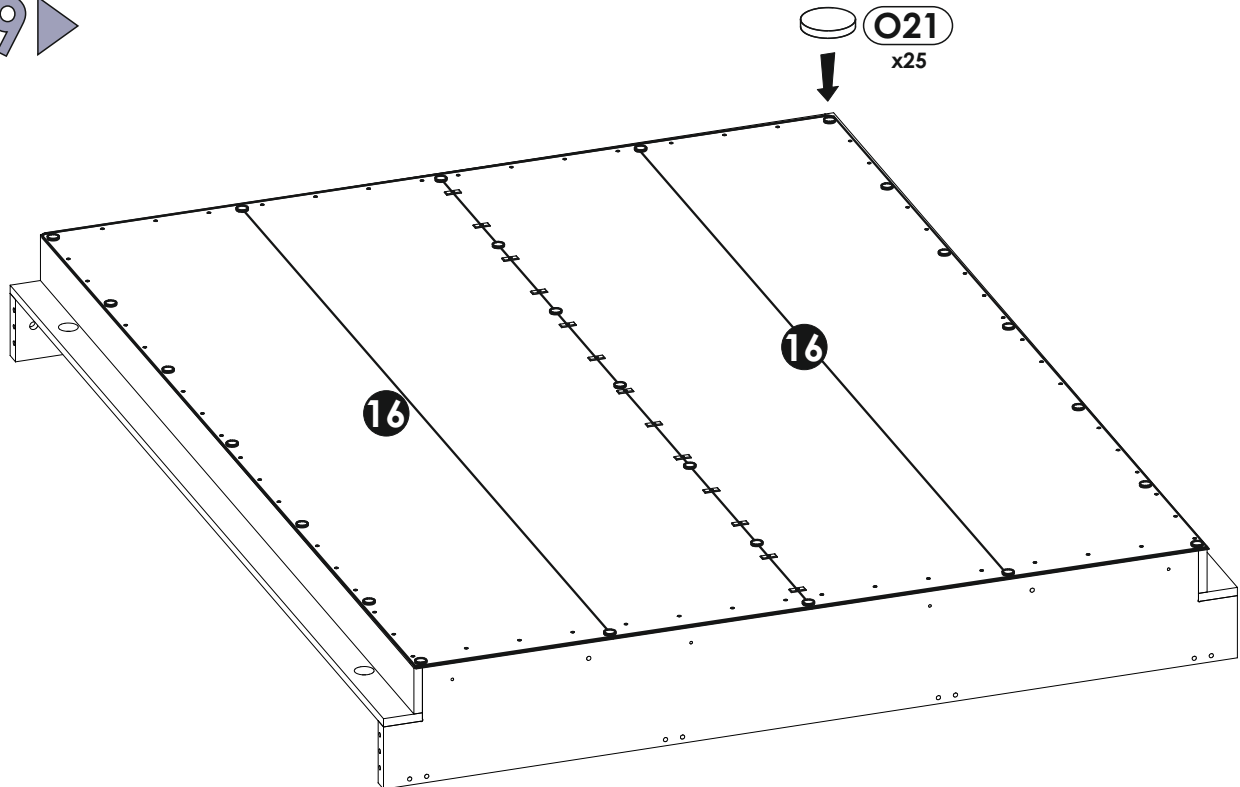
7 ▶



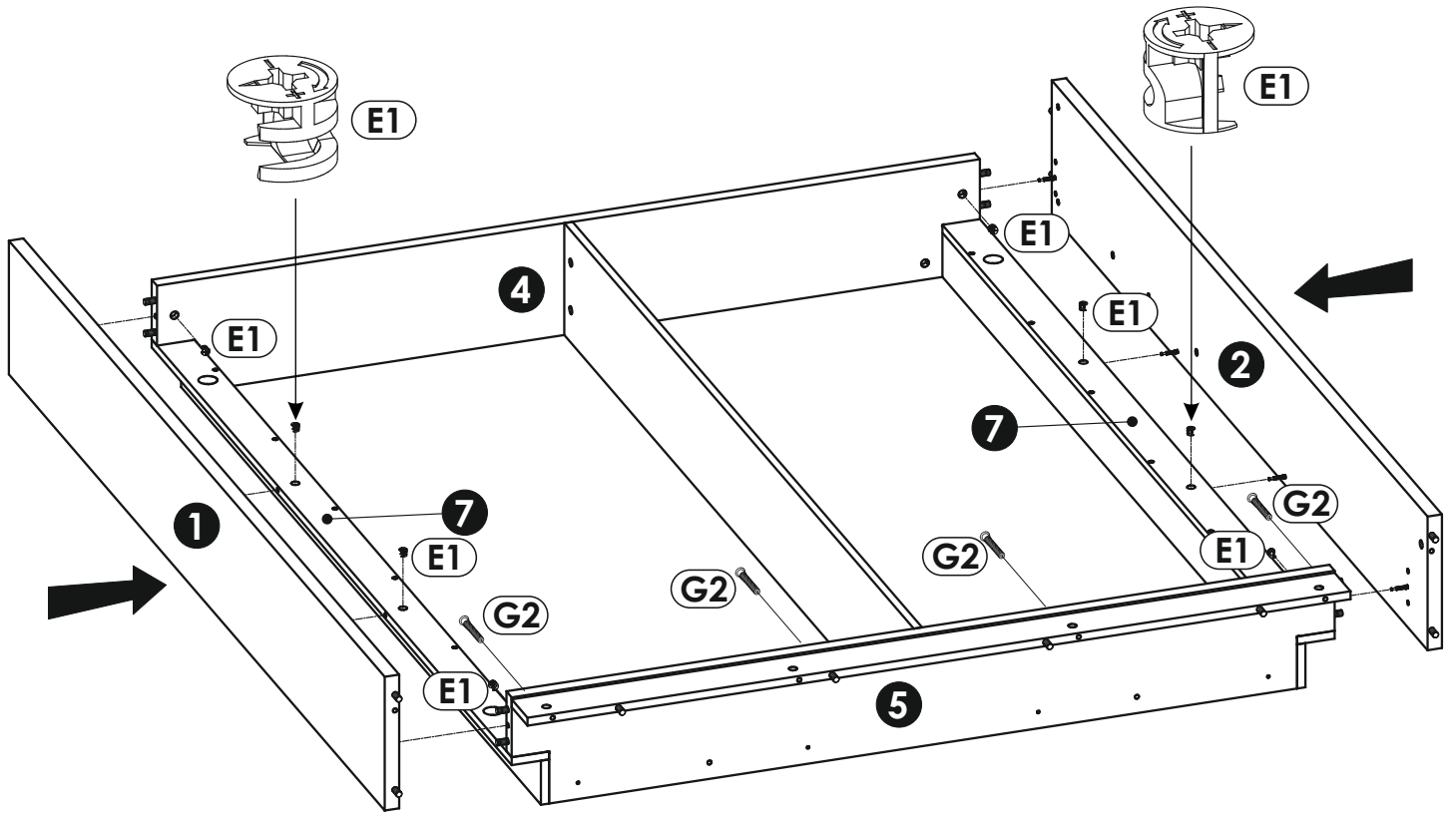
8 ▶



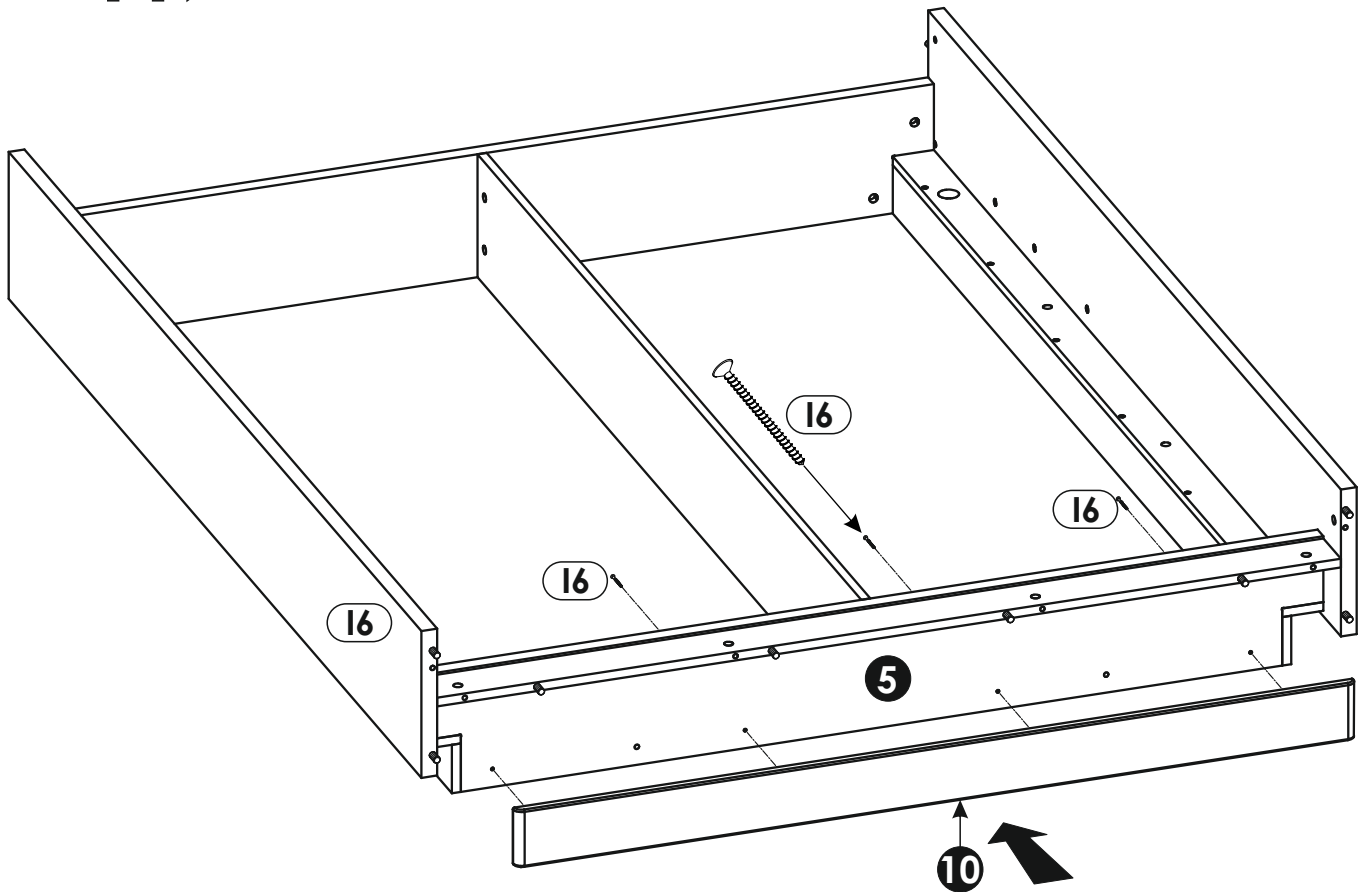
9 ▶



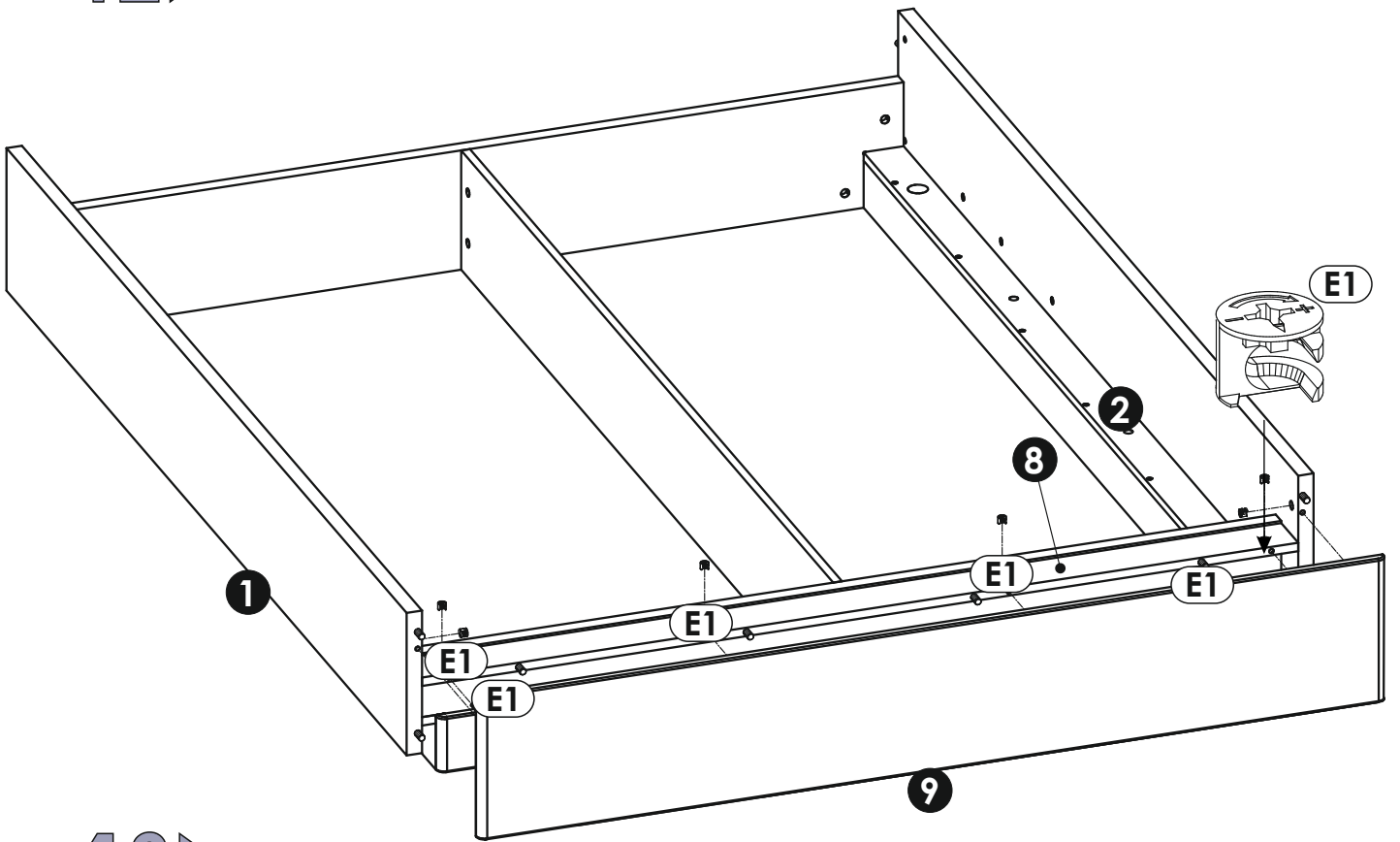
10 ▶



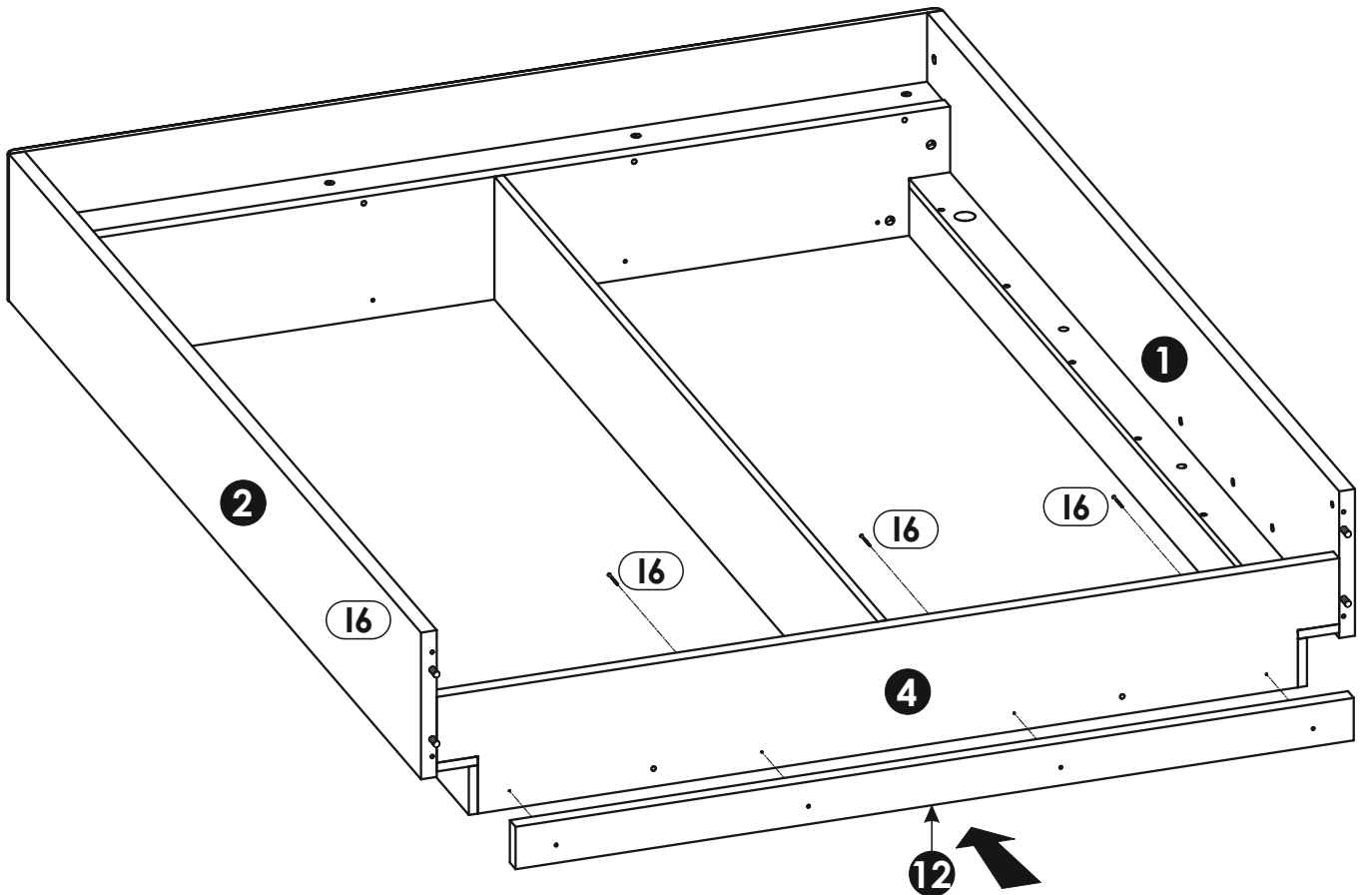
11 ▶



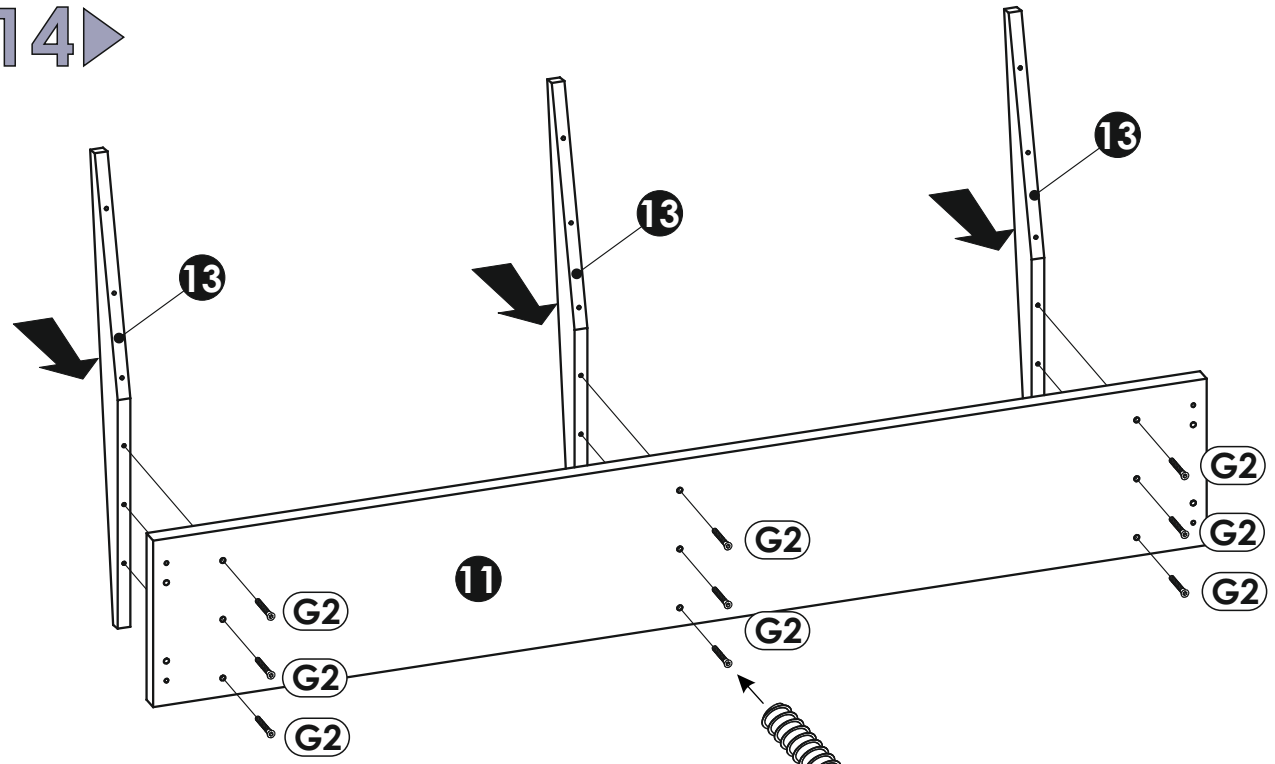
12▶



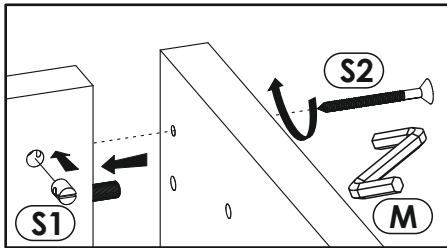
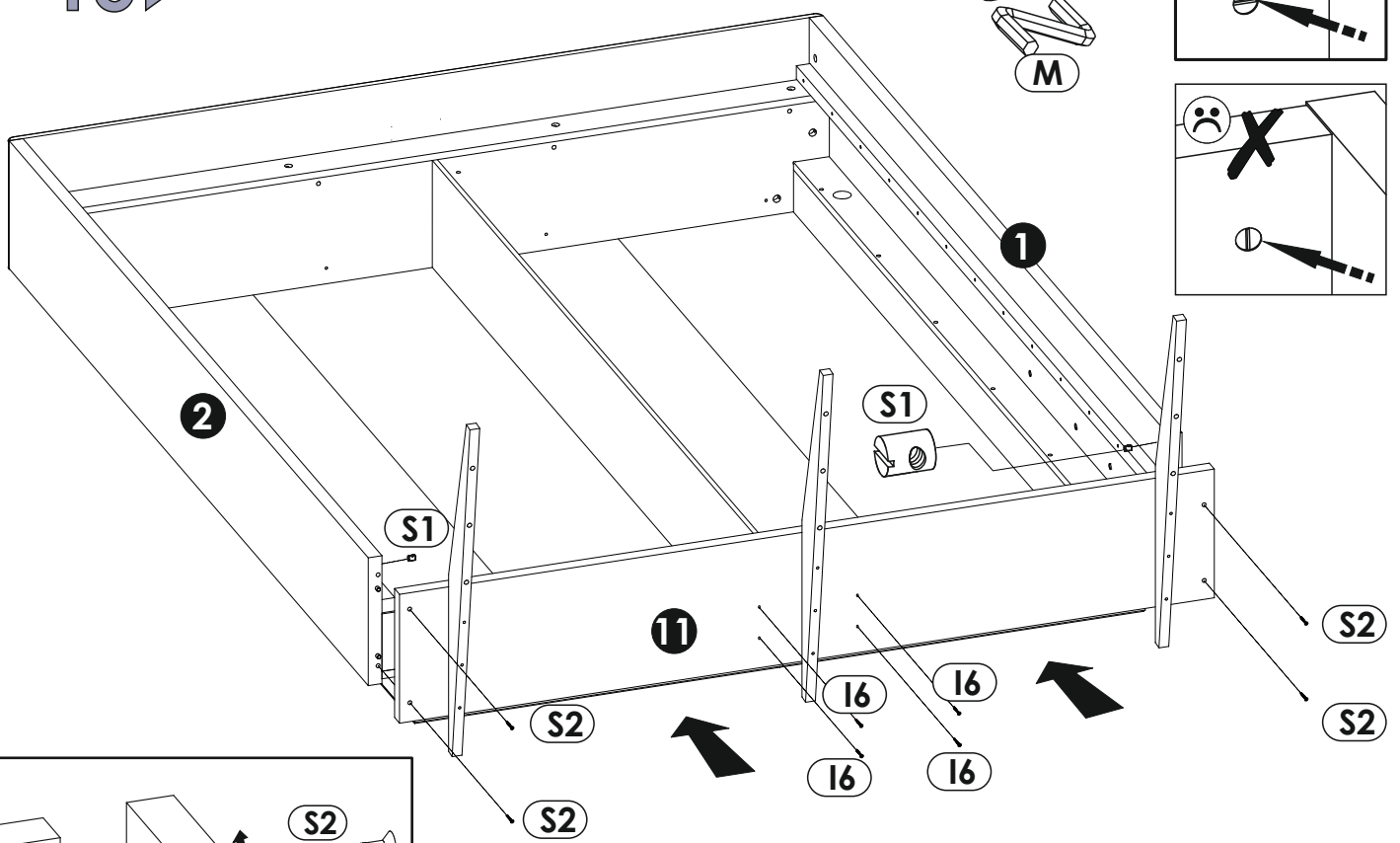
13▶



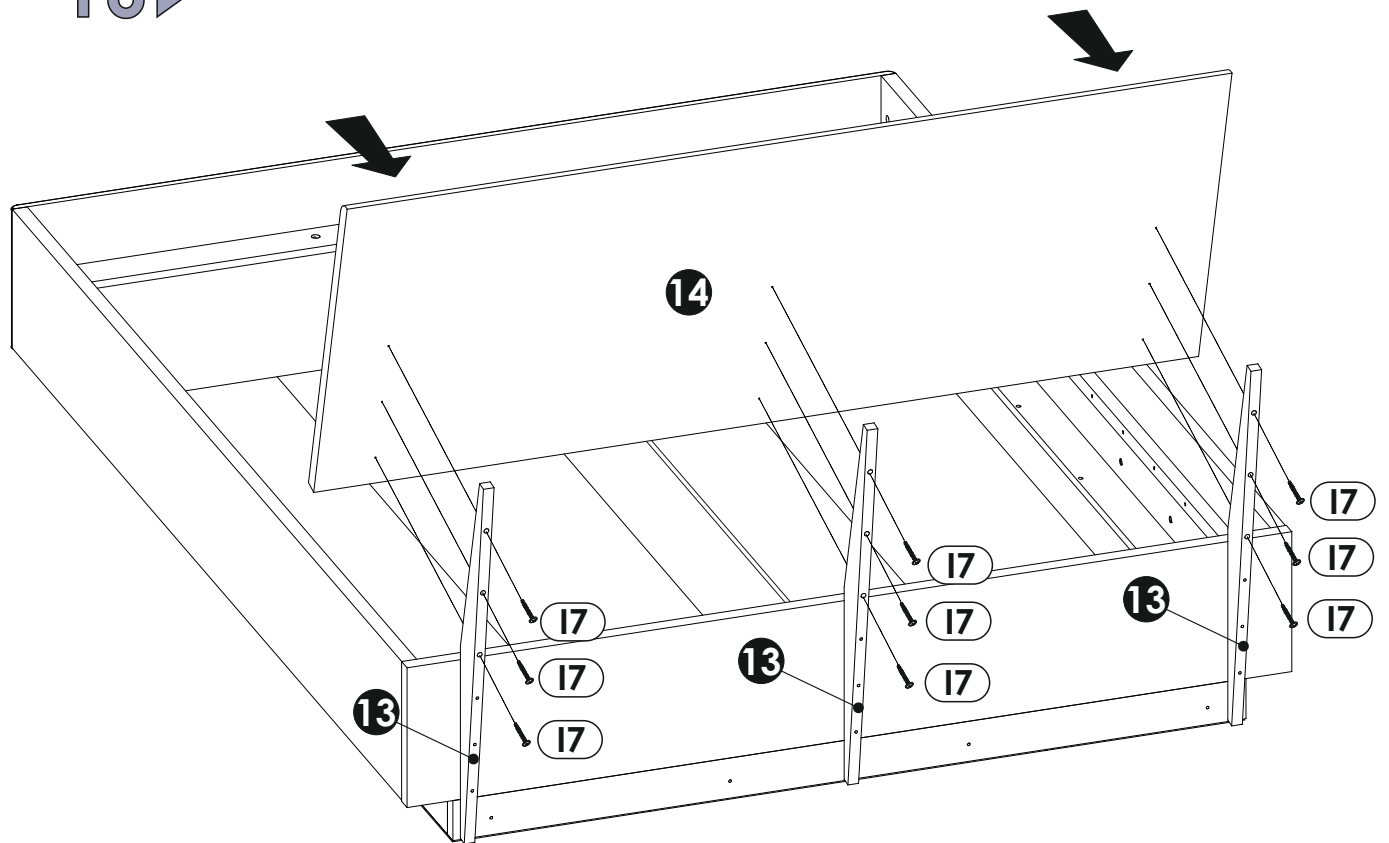
14 ▶



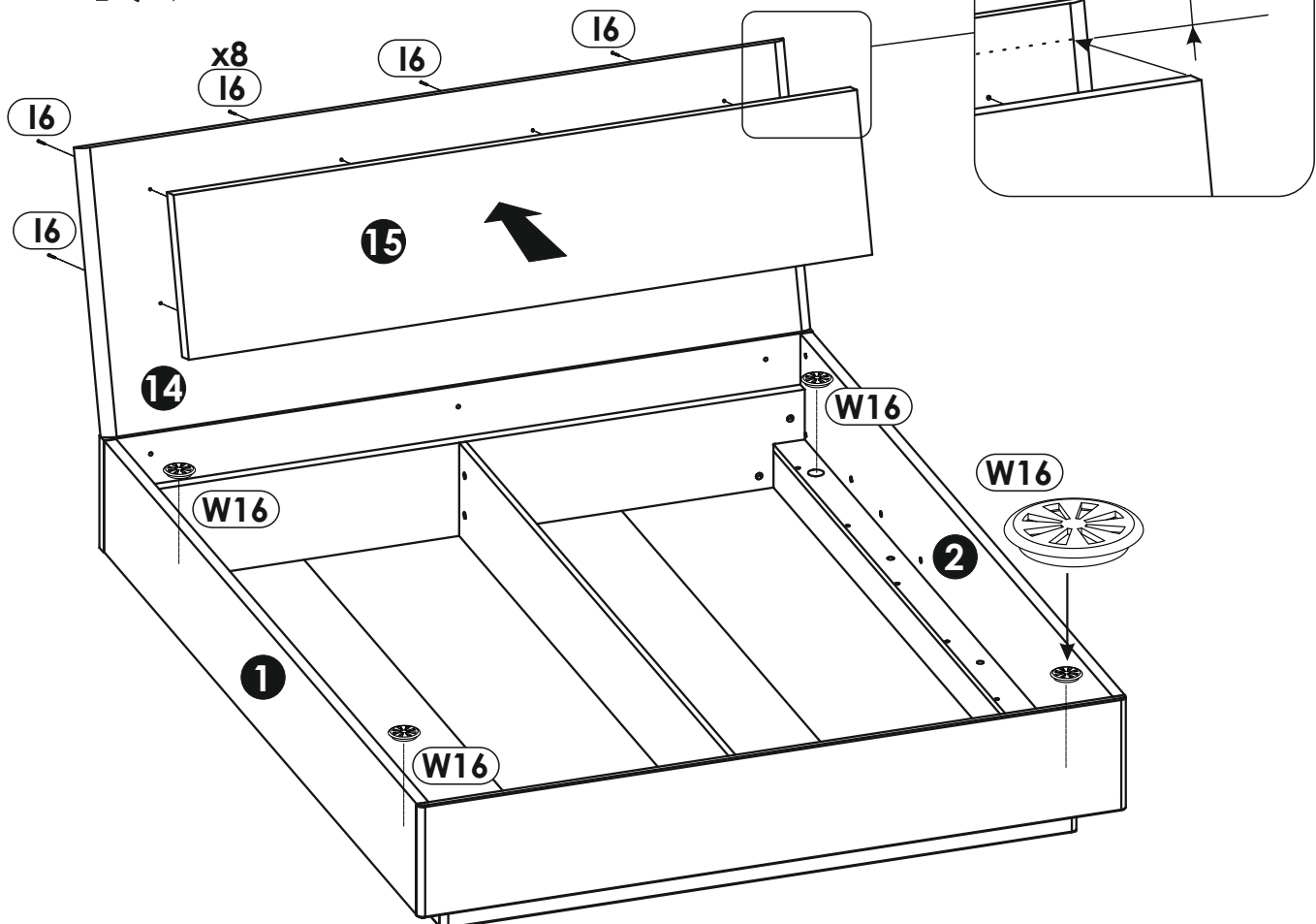
15 ▶



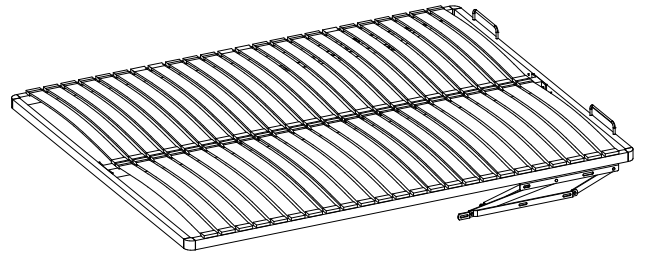
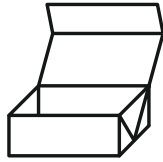
16 ▶



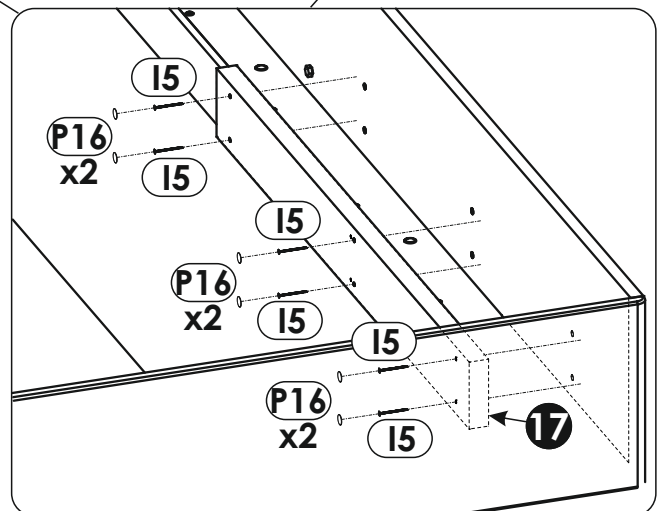
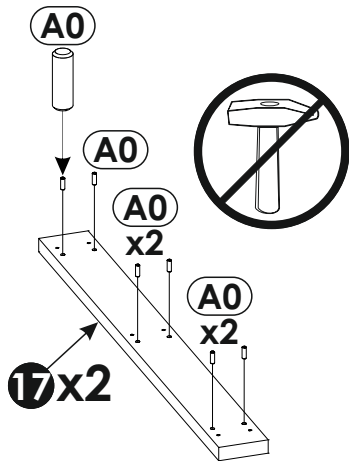
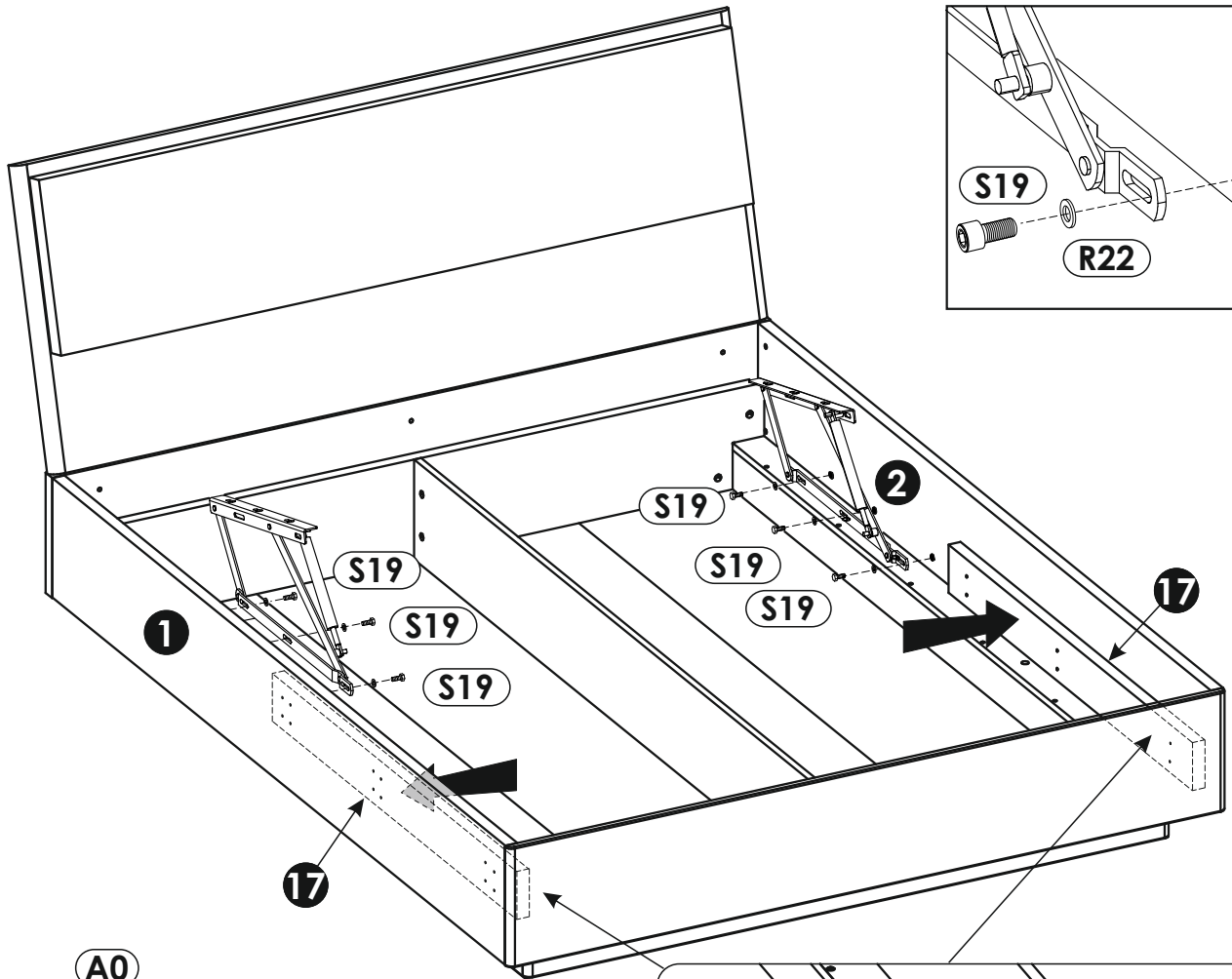
17 ▶



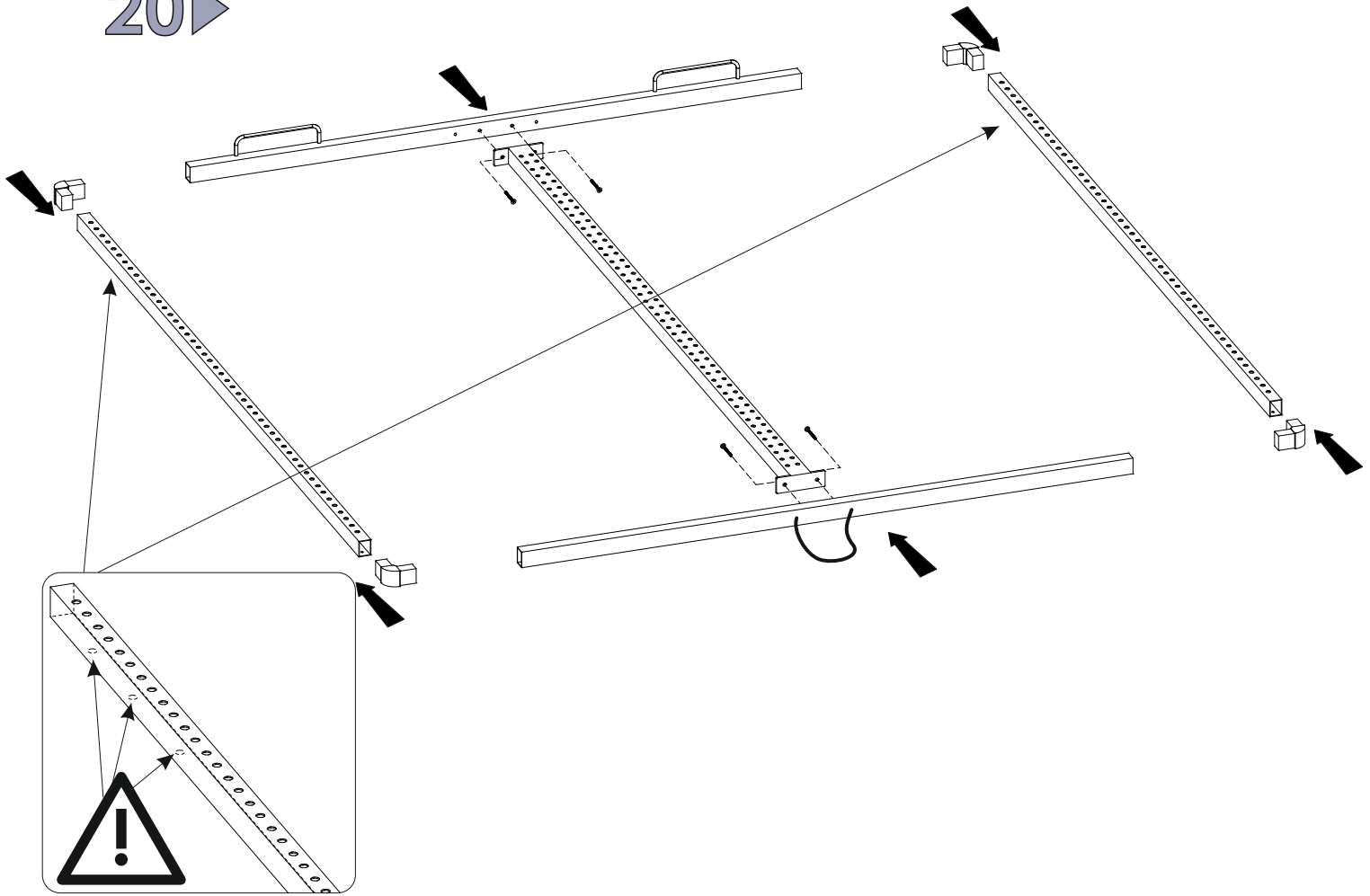
18▶



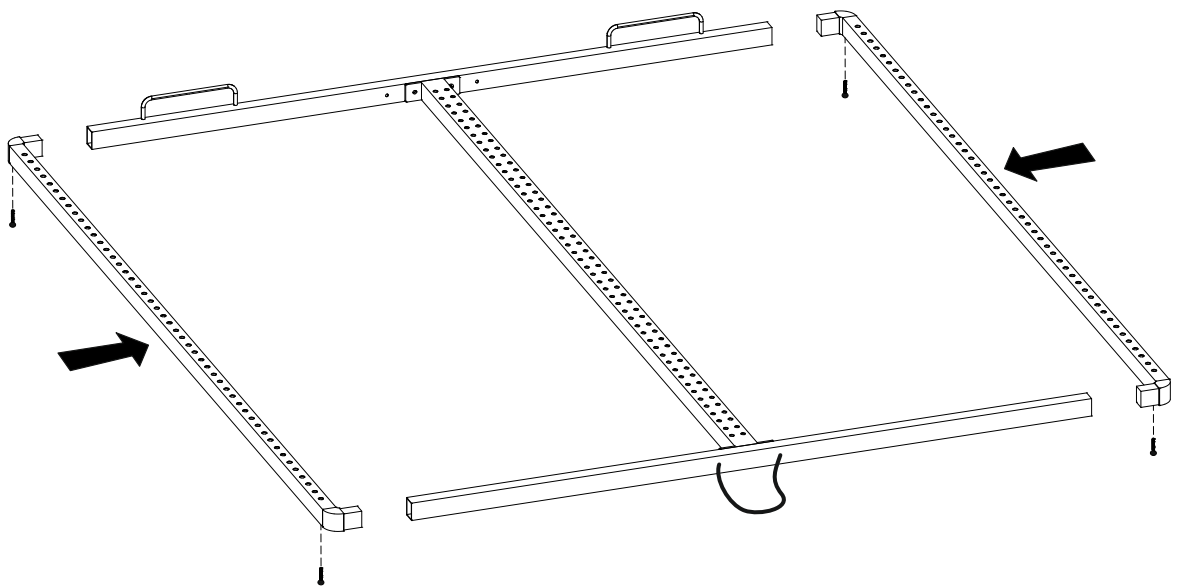
19▶



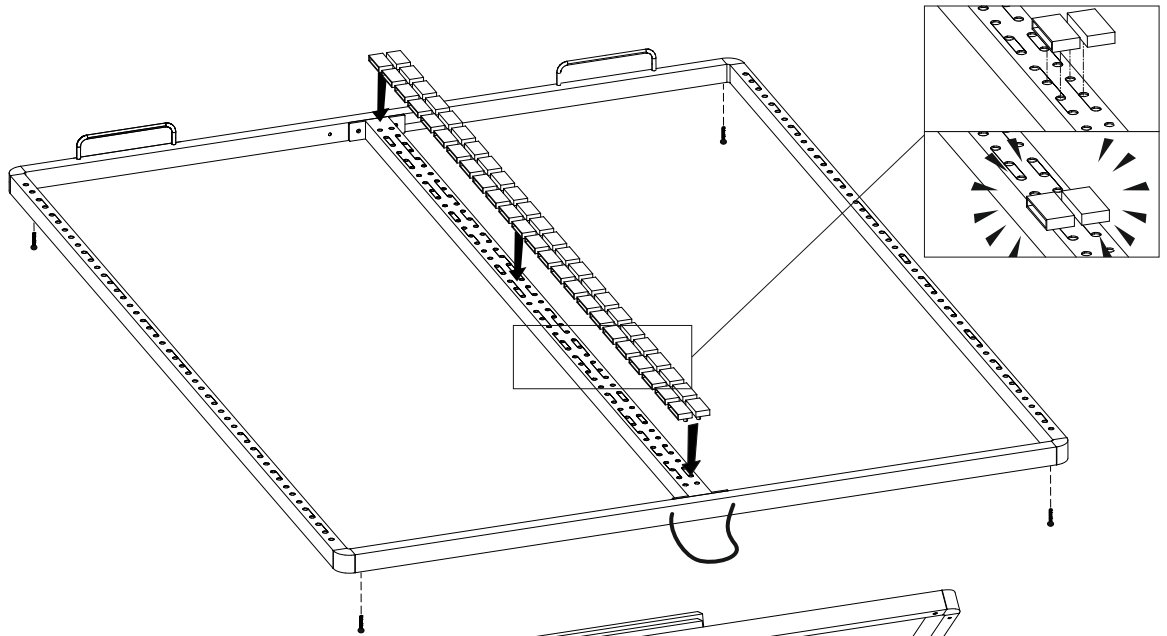
20 ▶



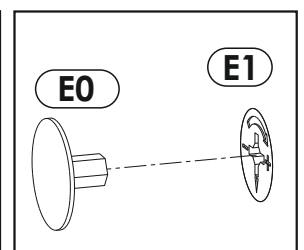
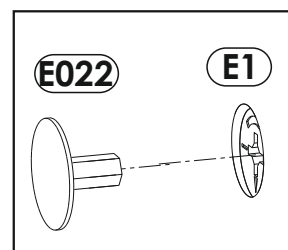
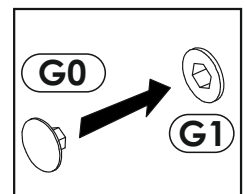
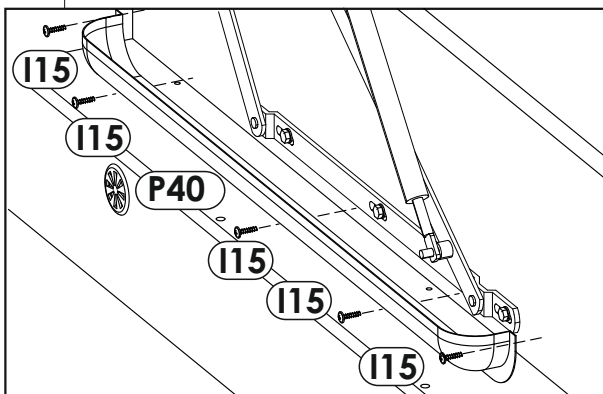
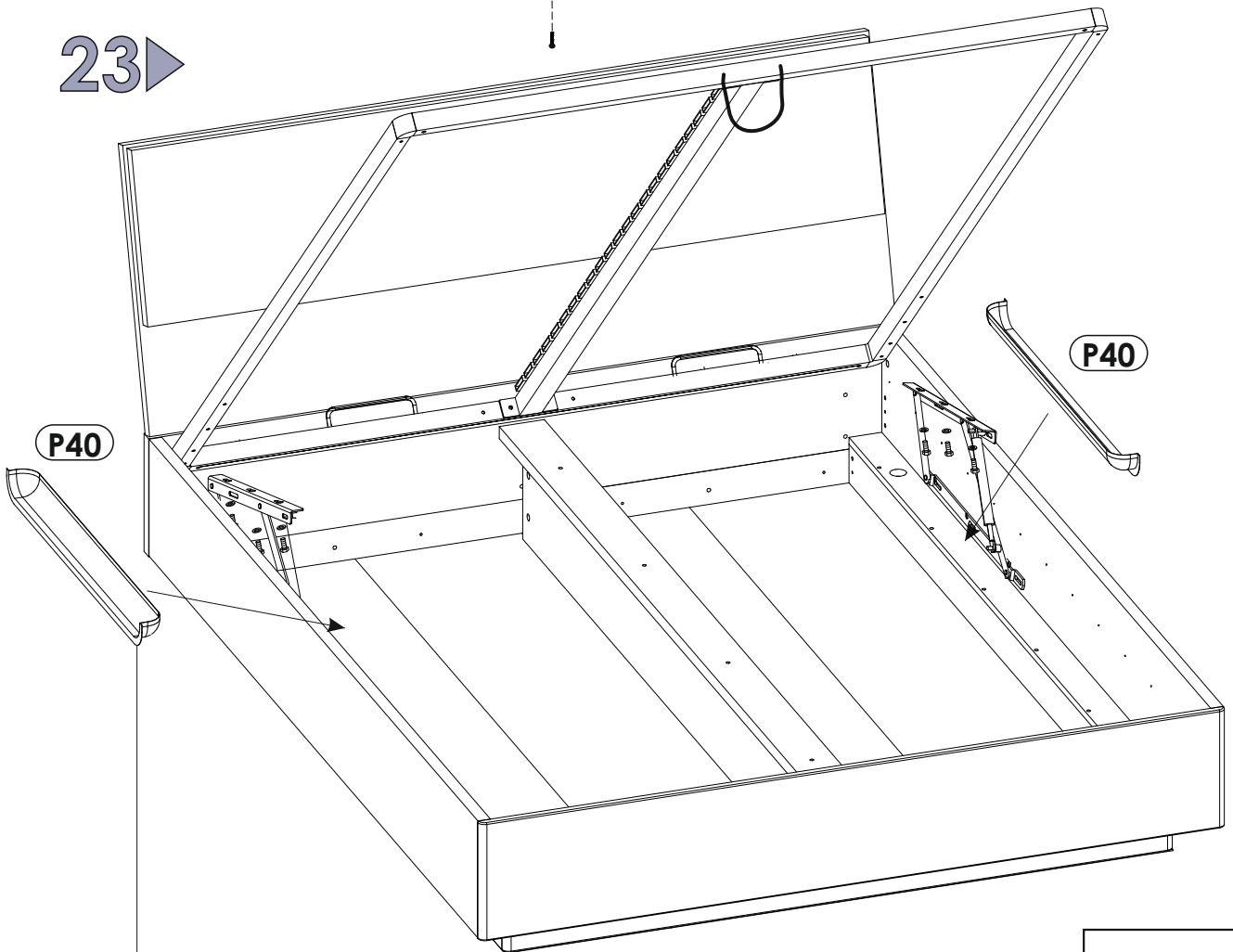
21 ▶



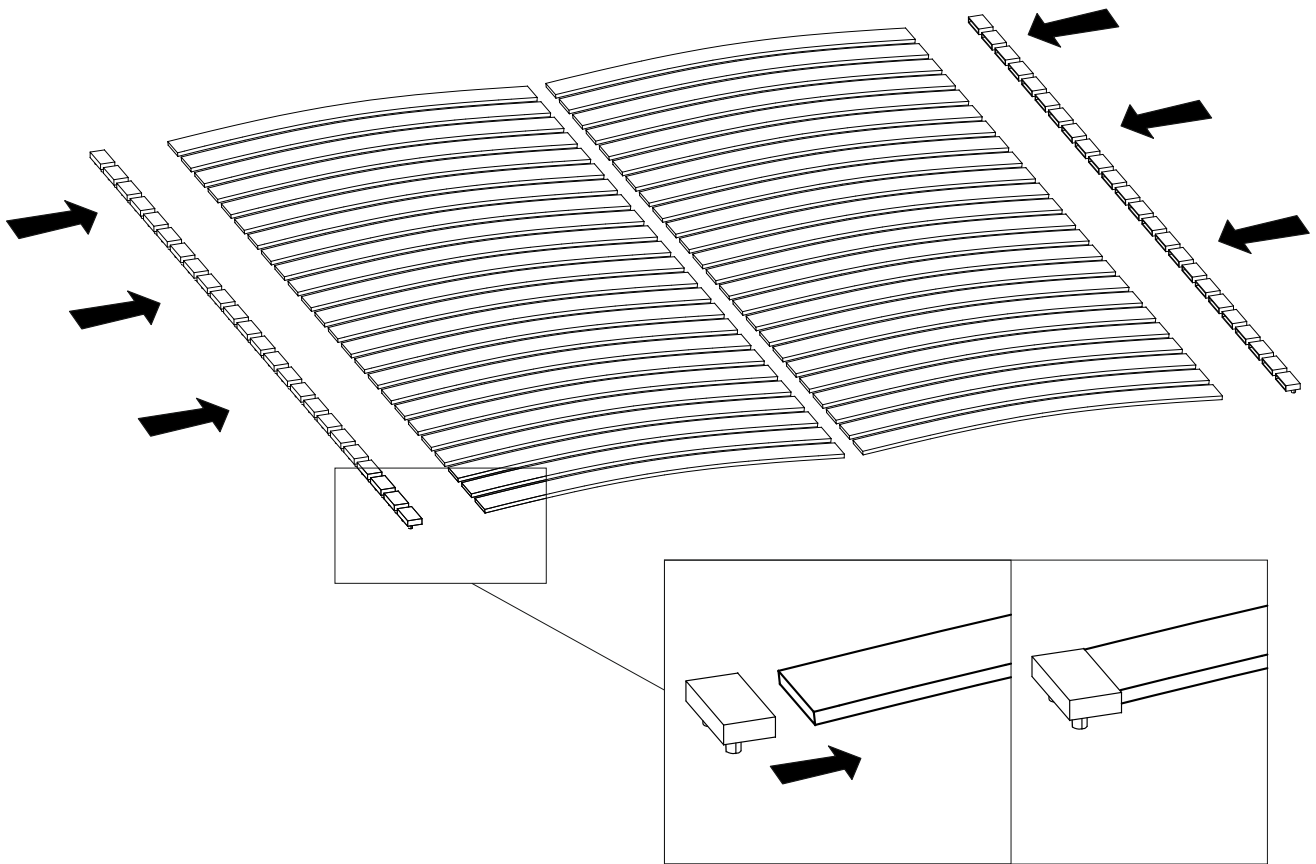
22 ▶



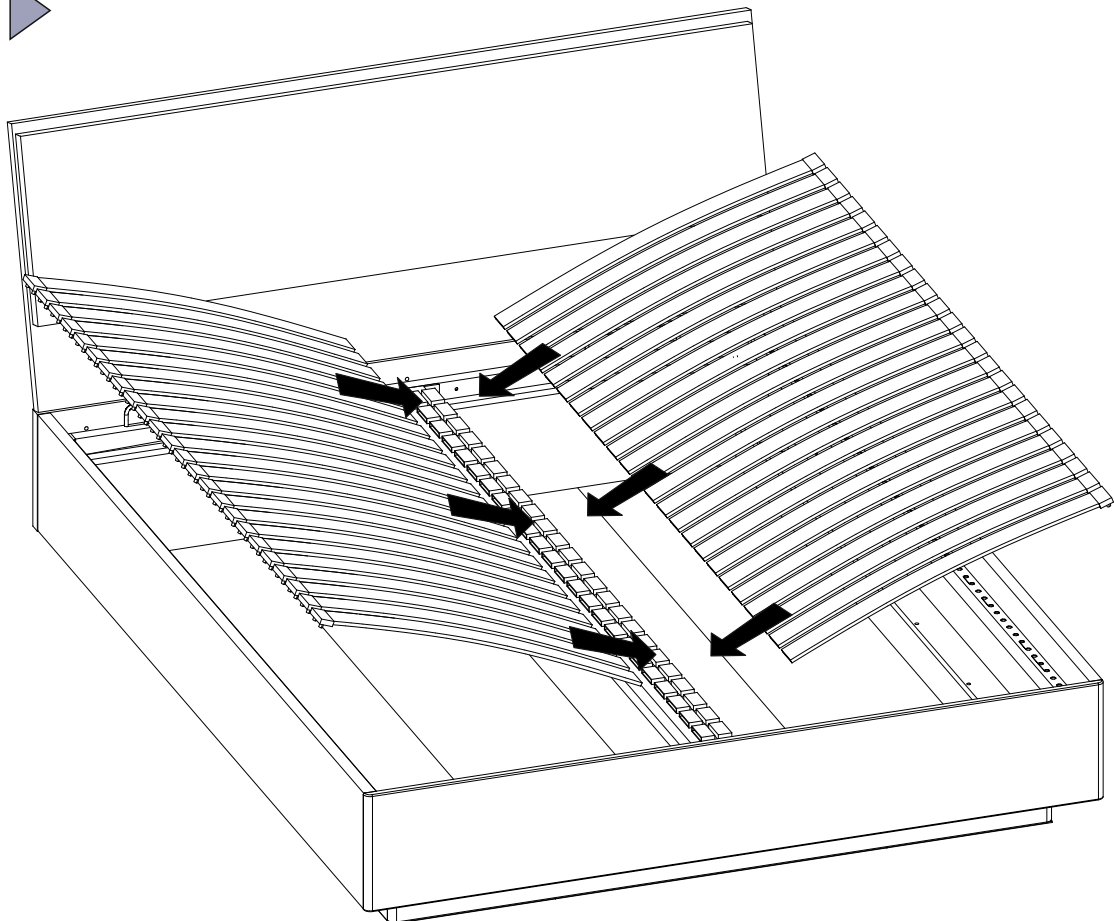
23 ▶



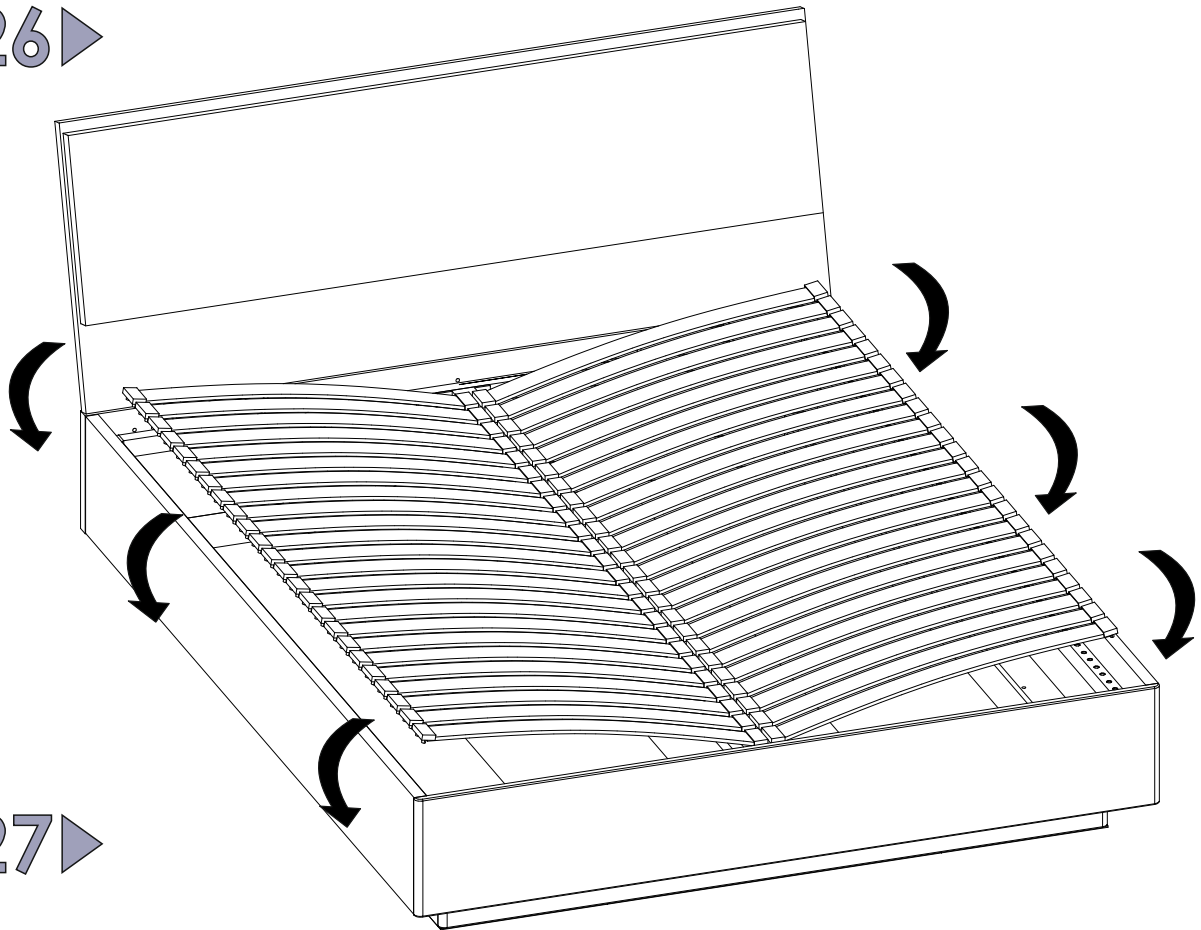
24▶



25▶



26 ▶



27 ▶

