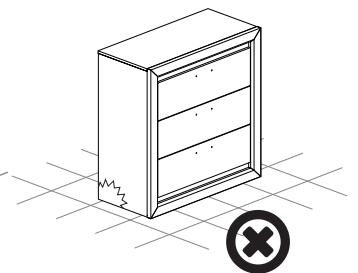
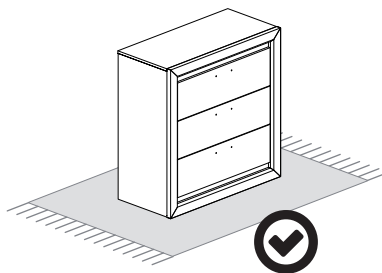
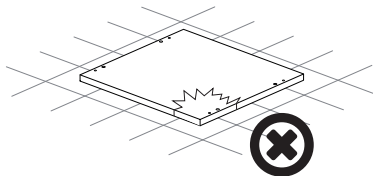
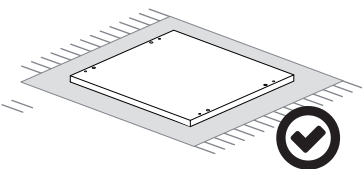
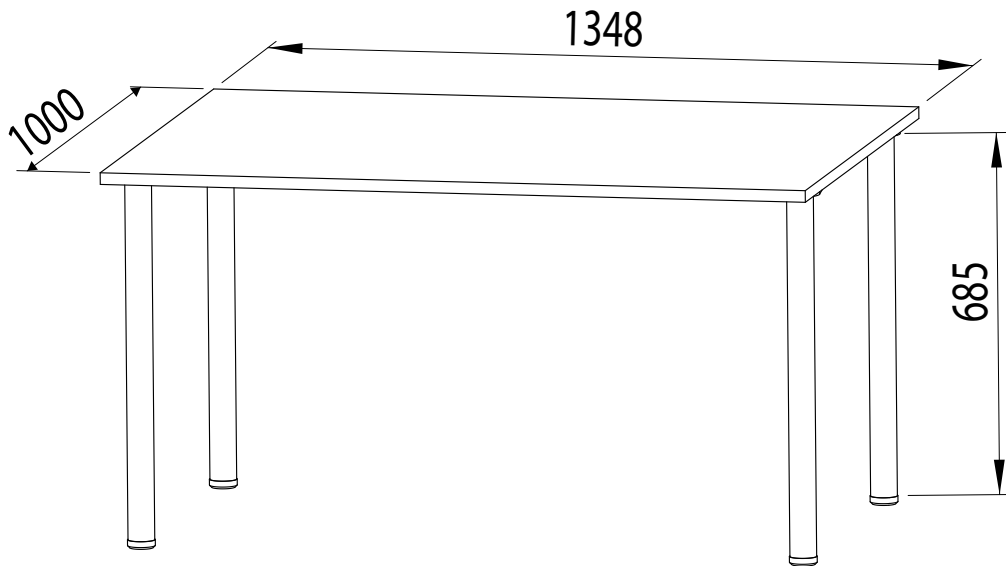
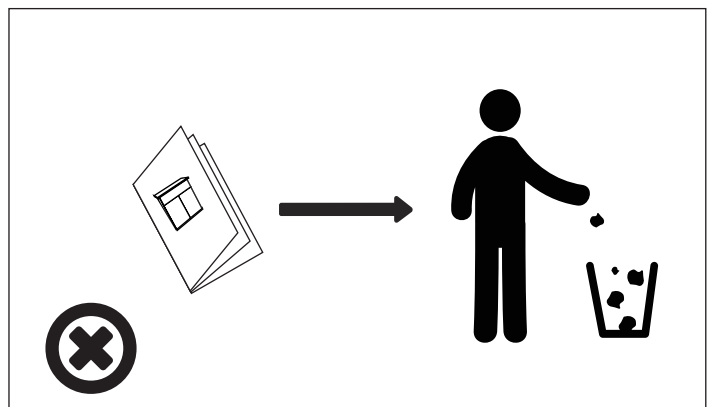
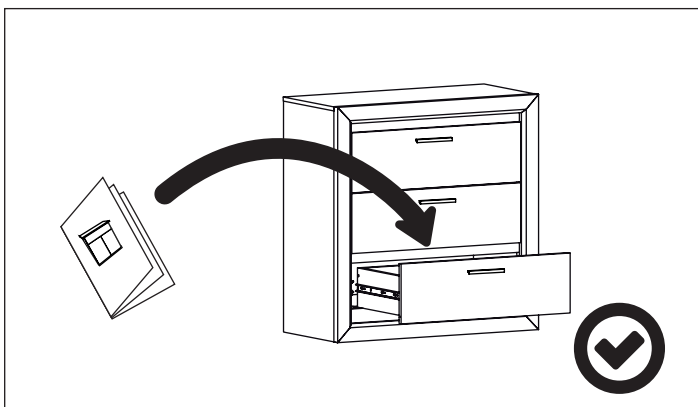
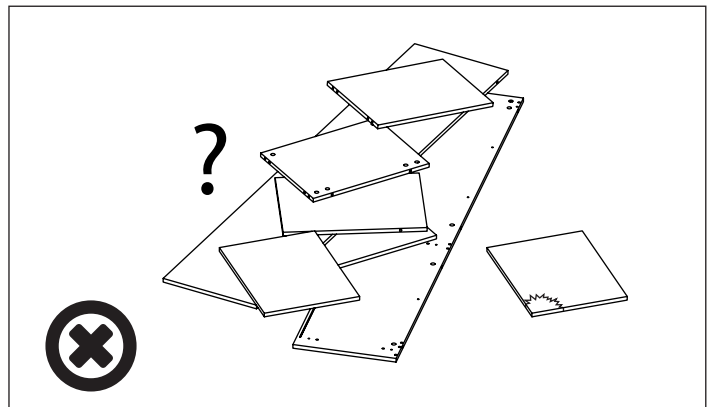
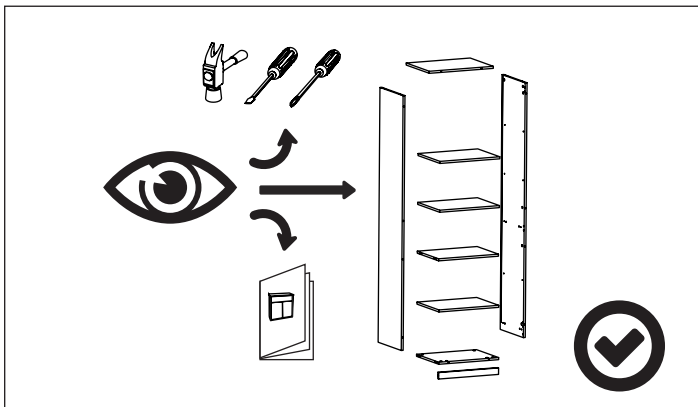
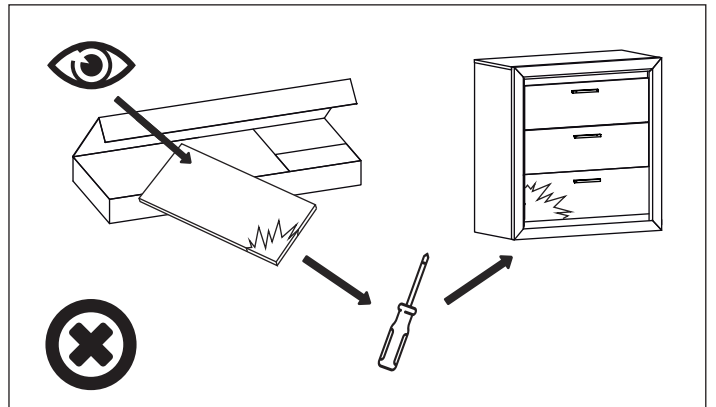
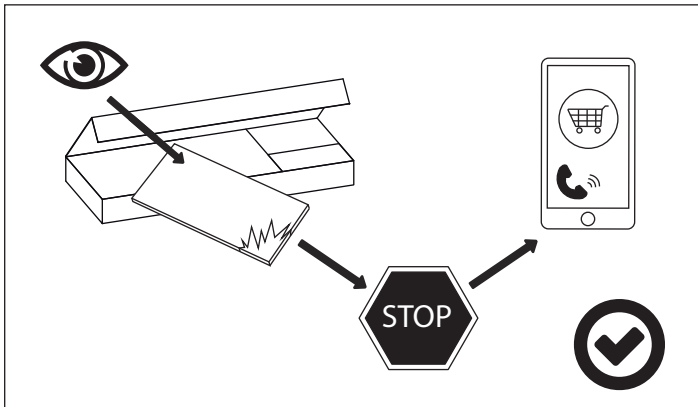
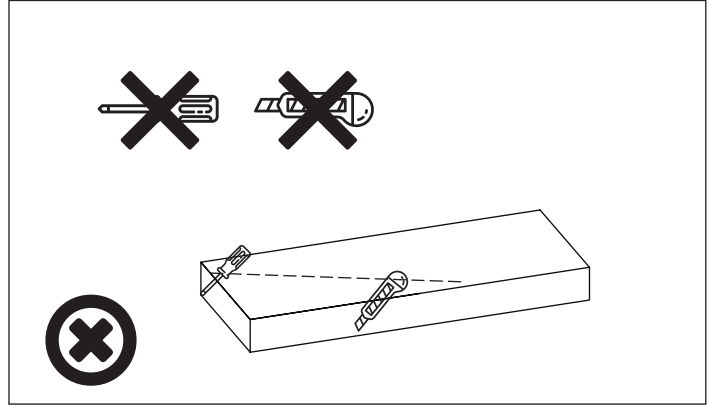
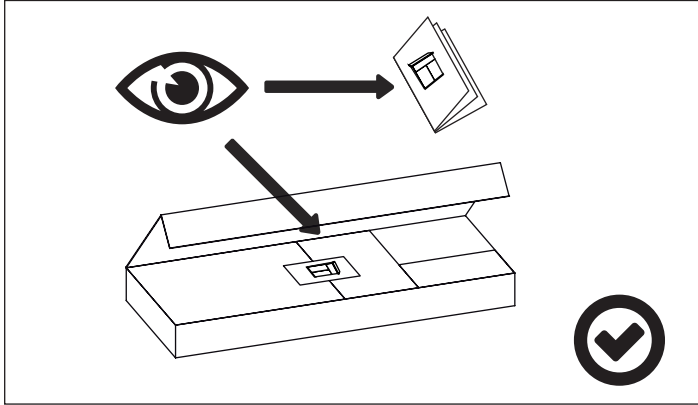
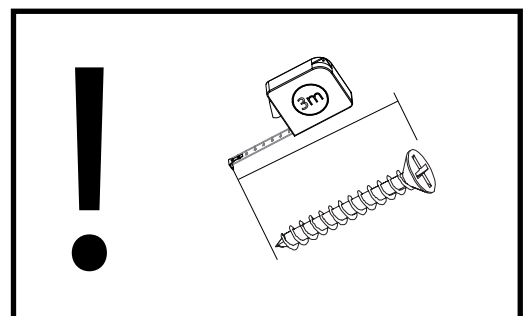
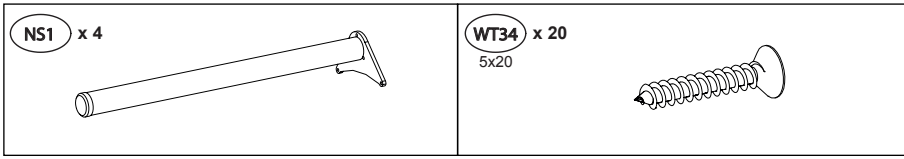


OPTIMAL 29






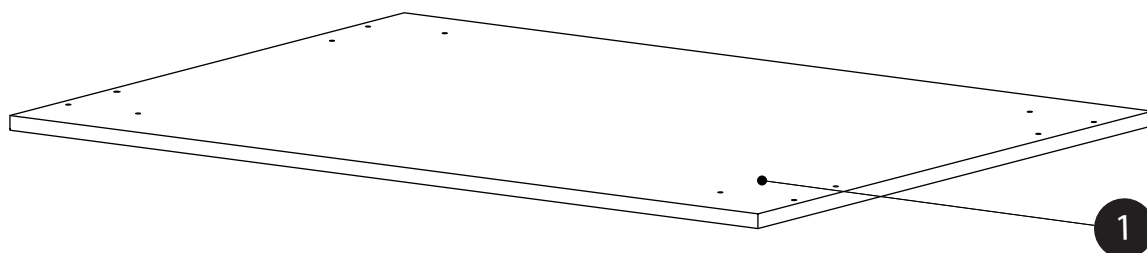


OPTIMAL 29

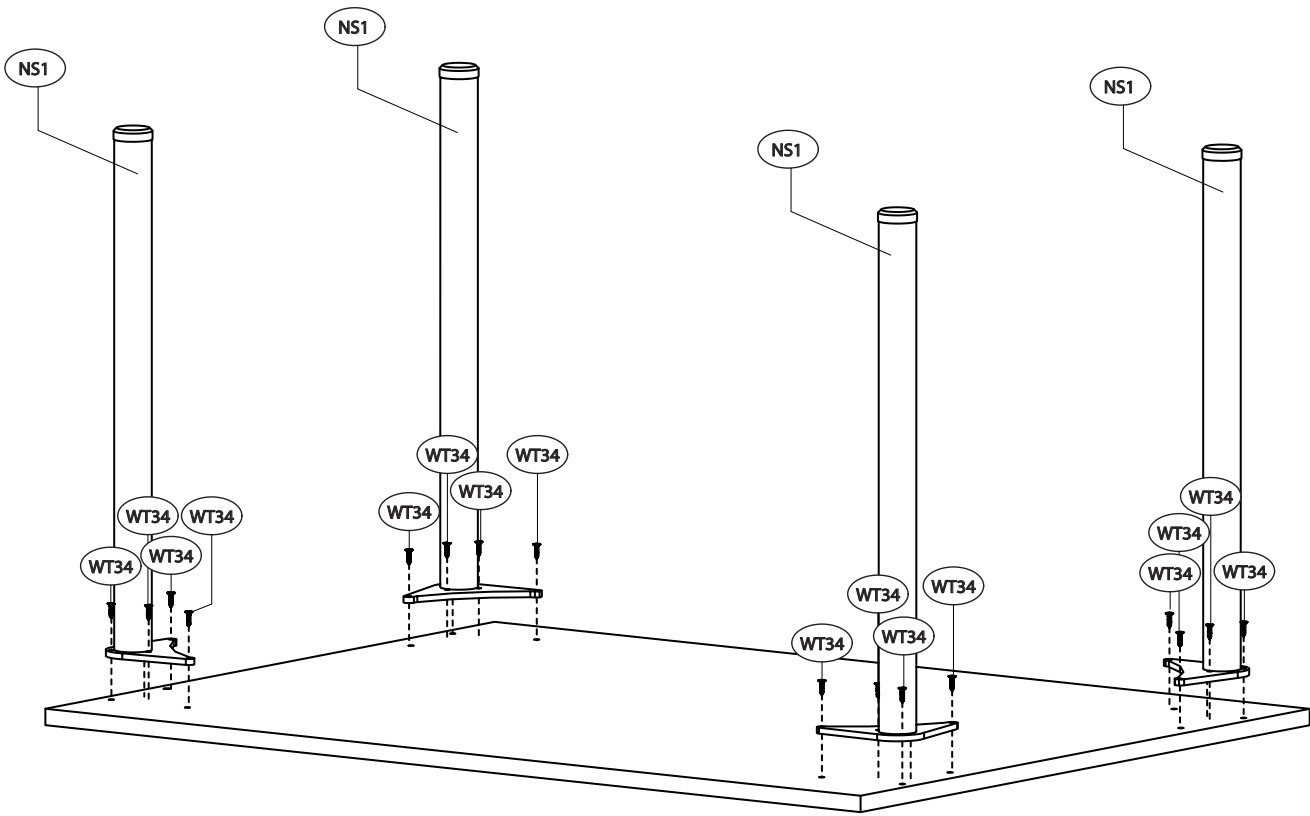




| | CODE |  |  |  |
|---|--------------|---|---|---|
| ① | OPTIMAL29_01 | 1348 | 1000 | 1 |
| ② | | | | |
| ③ | | | | |
| ④ | | | | |
| ⑤ | | | | |



A ▶



B ▶

