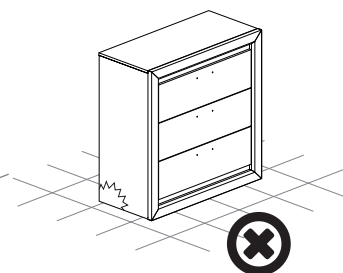
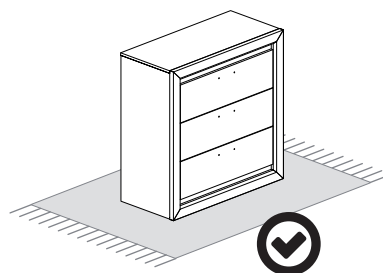
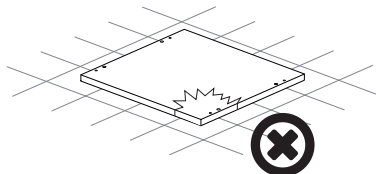
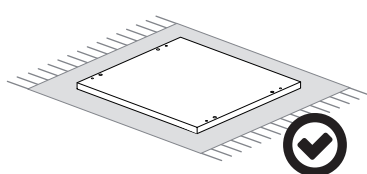
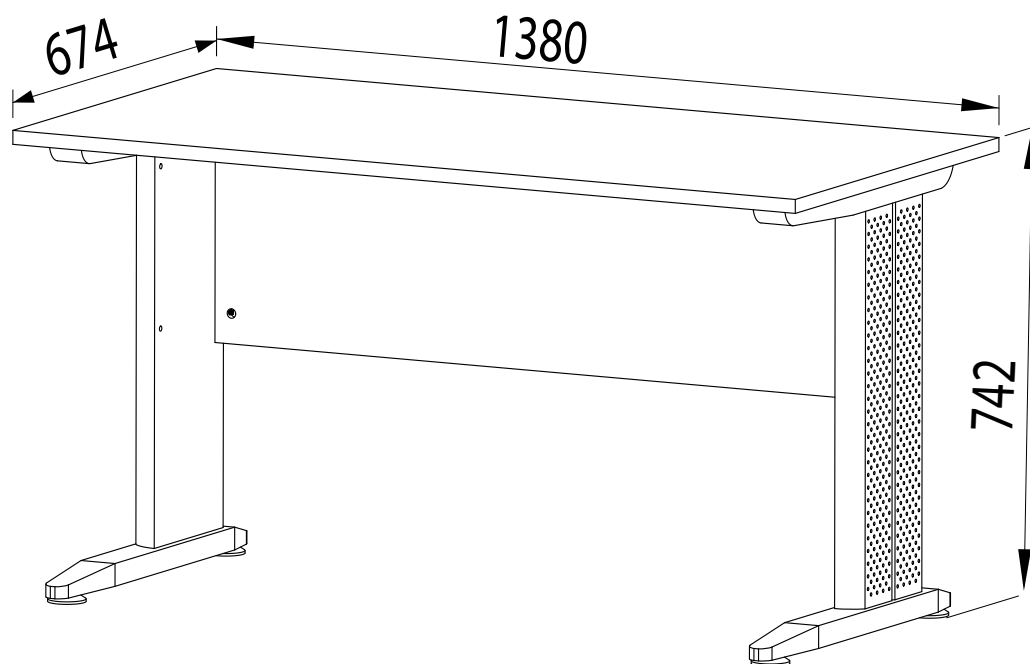
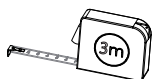
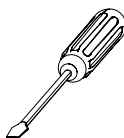
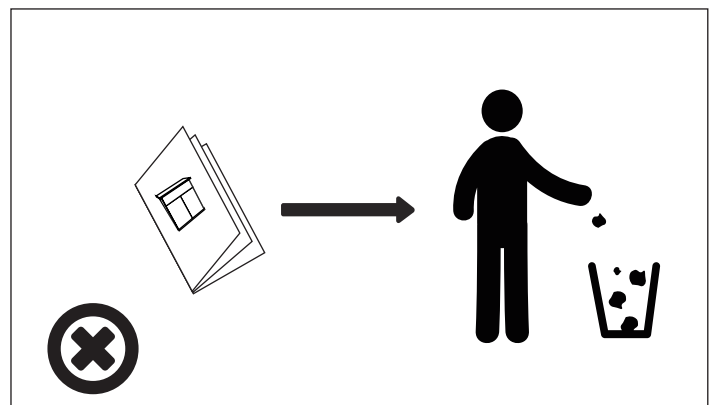
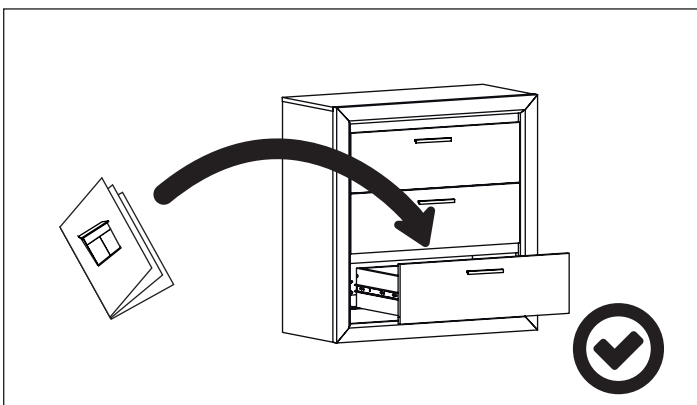
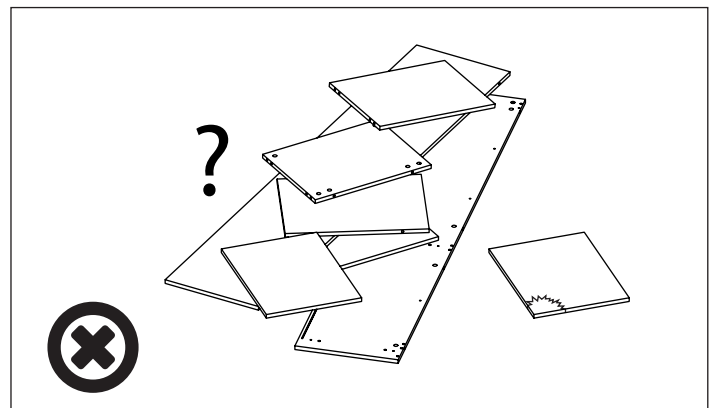
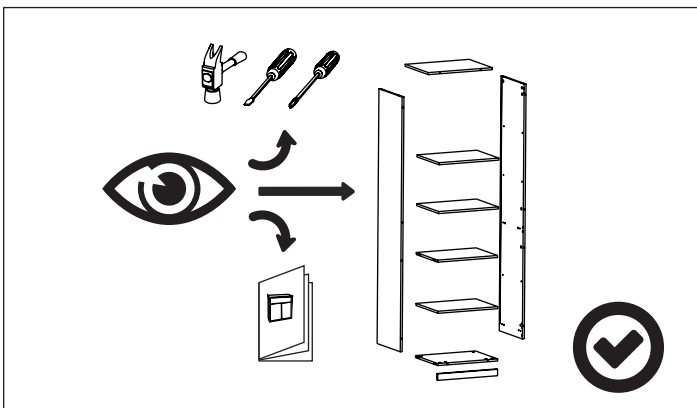
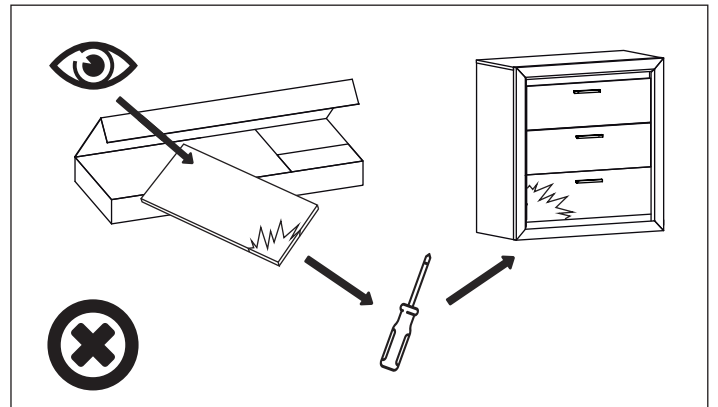
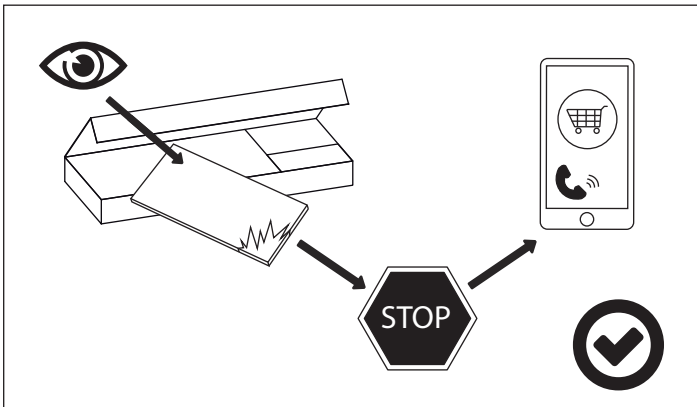
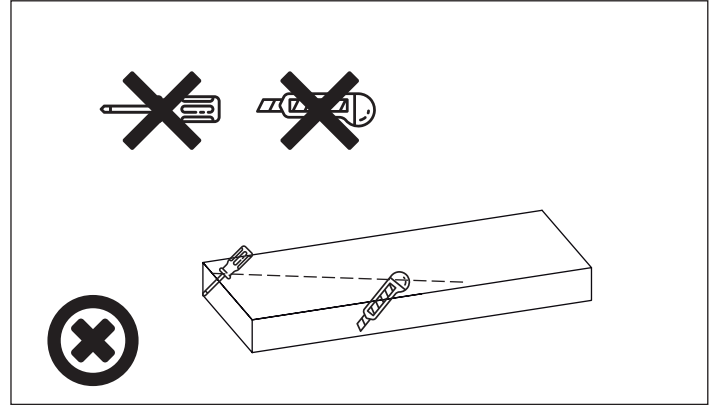
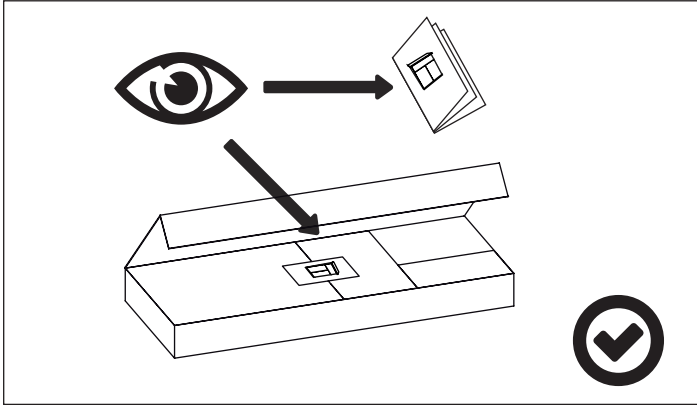
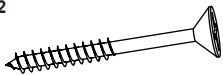
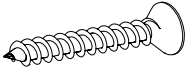


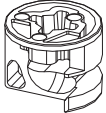



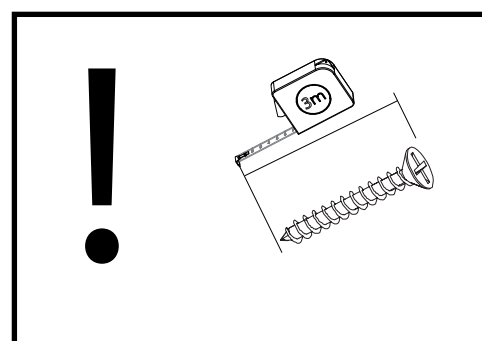
OPTIMAL 15

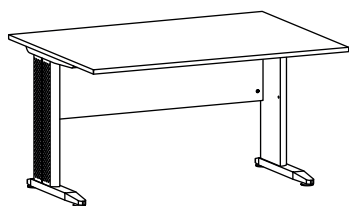







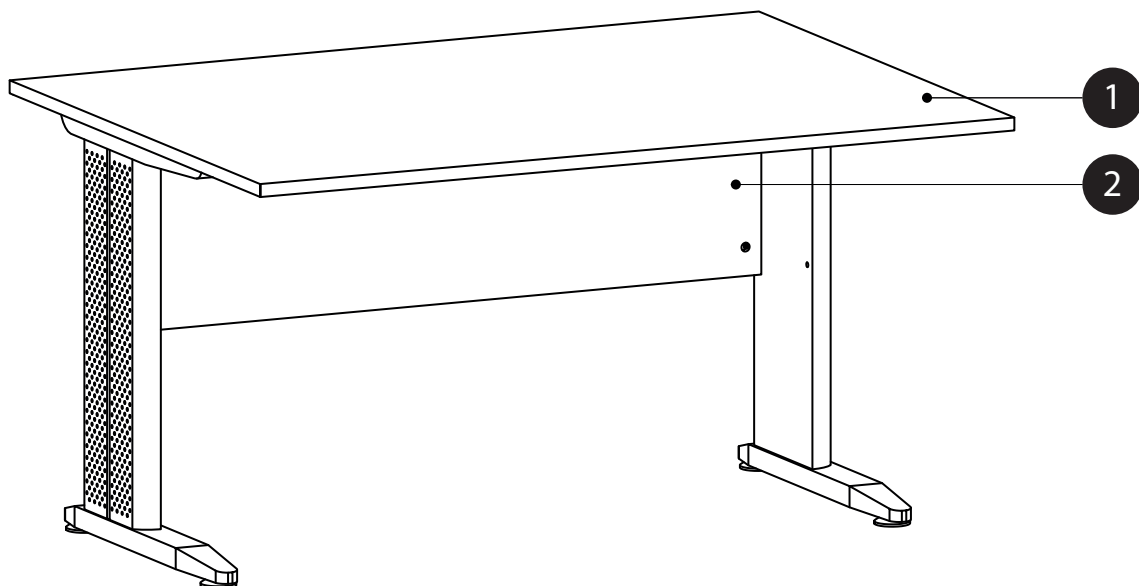
OPTIMAL 15

<p>WT33 x 2 5x55</p> 	<p>WT32 x 2 5x40</p> 	<p>ZS2 x 4</p> 
<p>ZM6 x 4</p> 	<p>B2 x 4</p> 	<p>x 1</p> 

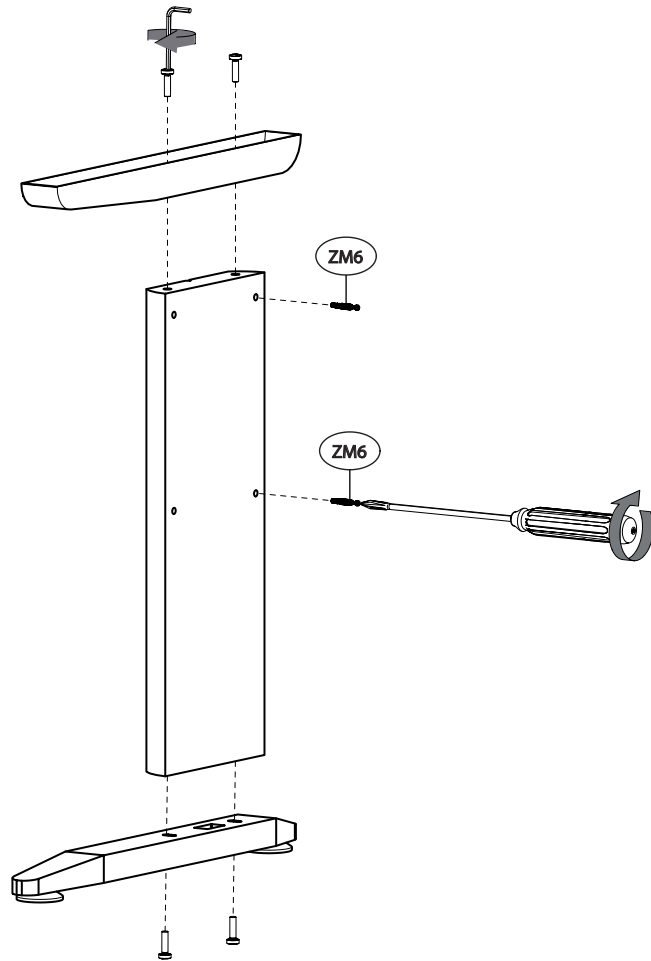




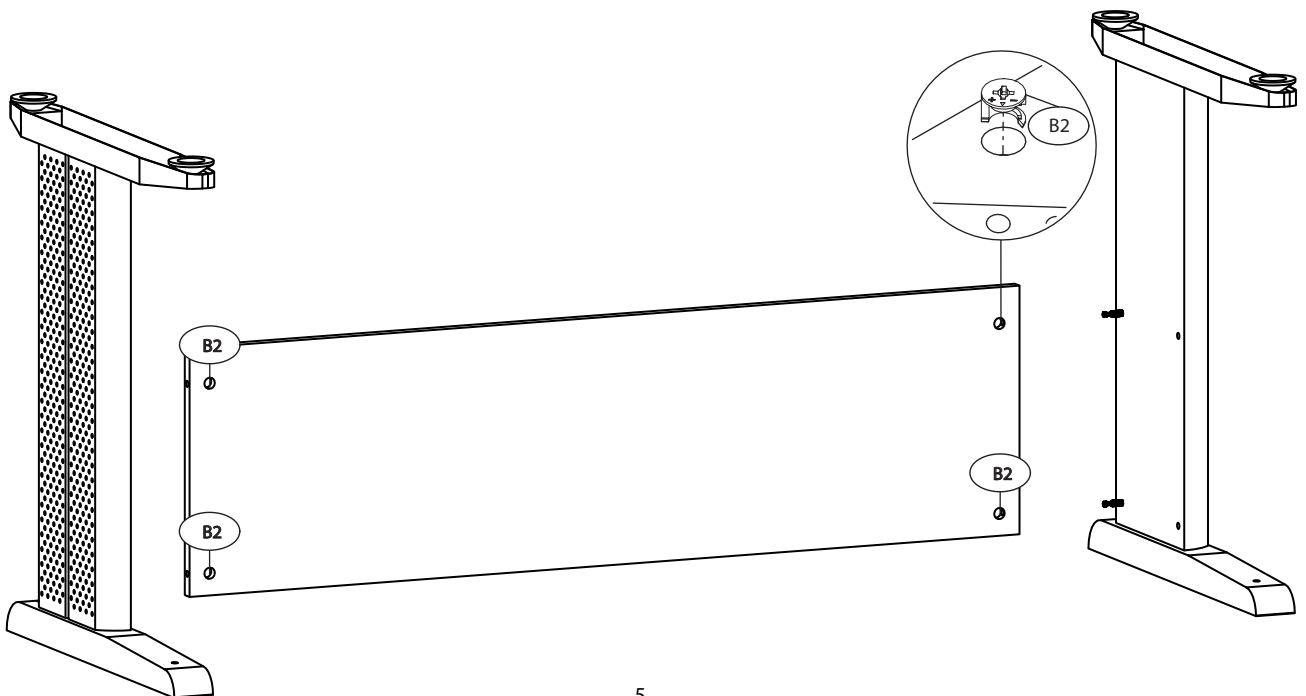
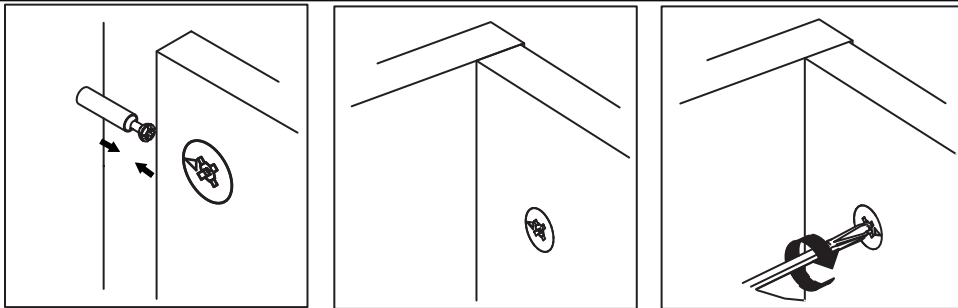
	CODE			
1	OPTIMAL15_01	1380	674	1
2	OPTIMAL15_02	1200	334	1
3				
4				
5				
6				



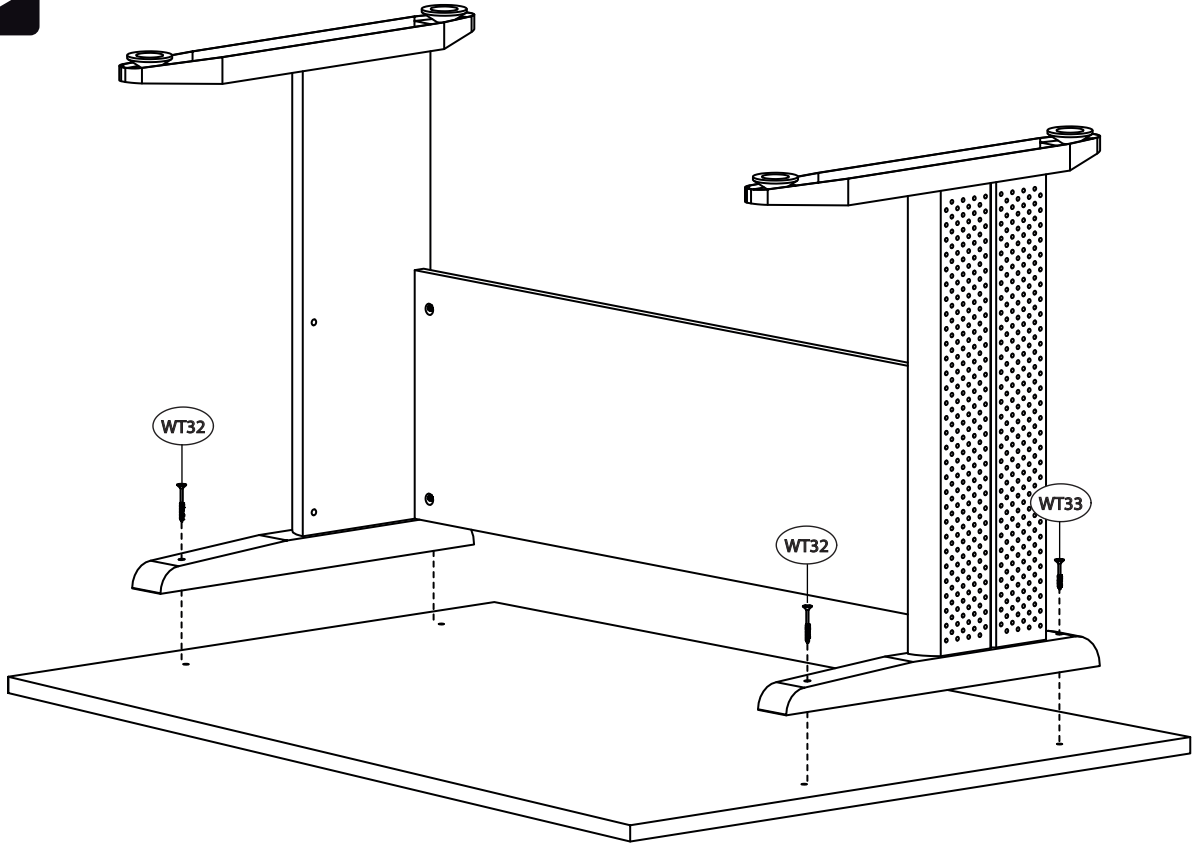
A ▶



B ▶



C ▶



D ▶

