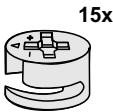
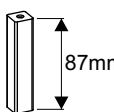
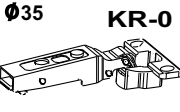
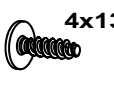

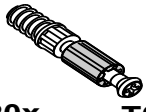

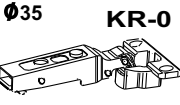
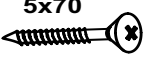
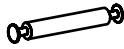
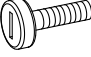
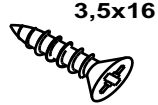

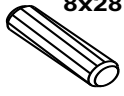


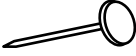
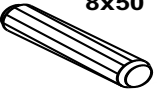
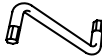
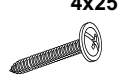

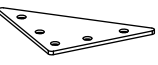

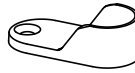

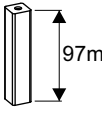



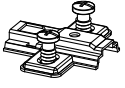

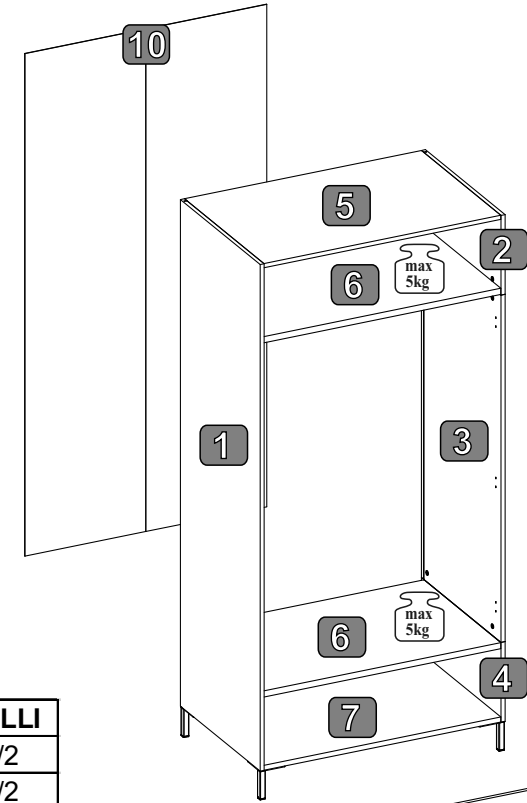
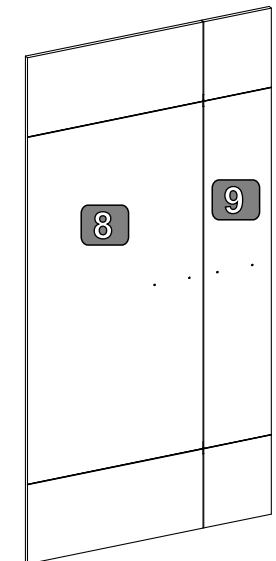


| | | | | |
|---|--|---|--|--|
|  28x T02 |  1x N07 |  4x Z22 |  2x W07 |  1x G08 |
|  20x T01 |  1x S11 |  6x Z23 |  1x F11 | |
|  4x T03 |  1x N08 |  20x W01 |  1x F01 | |
|  16x D01 |  5x NS1 |  2x S42 |  10x G01 | |
|  4x D03 |  1x K02 |  4x W28 |  14x C01 | |
|  5x N05 |  20x W25 |  2x G05 |  4x C03 | |
|  4x N06 |  20x R01 |  4x W02 | | |
|  4x S10 |  10x Z21 |  1x P01 | | |



| NR | DIM | QTE | COLLI |
|----|-------------|-----|-------|
| 1 | 1825x585x15 | 1 | 2/2 |
| 2 | 585x287x15 | 1 | 2/2 |
| 3 | 1251x585x15 | 1 | 2/2 |
| 4 | 585x287x15 | 1 | 2/2 |
| 5 | 870x584x15 | 1 | 1/2 |
| 6 | 870x565x22 | 2 | 1/2 |
| 7 | 870x584x18 | 1 | 1/2 |
| 8 | 618x355x5 | 1 | 2/2 |
| 9 | 645x286x15 | 1 | 2/2 |
| 10 | 1810x888x2 | 1 | 2/2 |

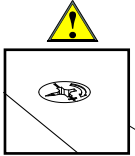
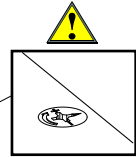
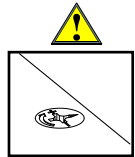
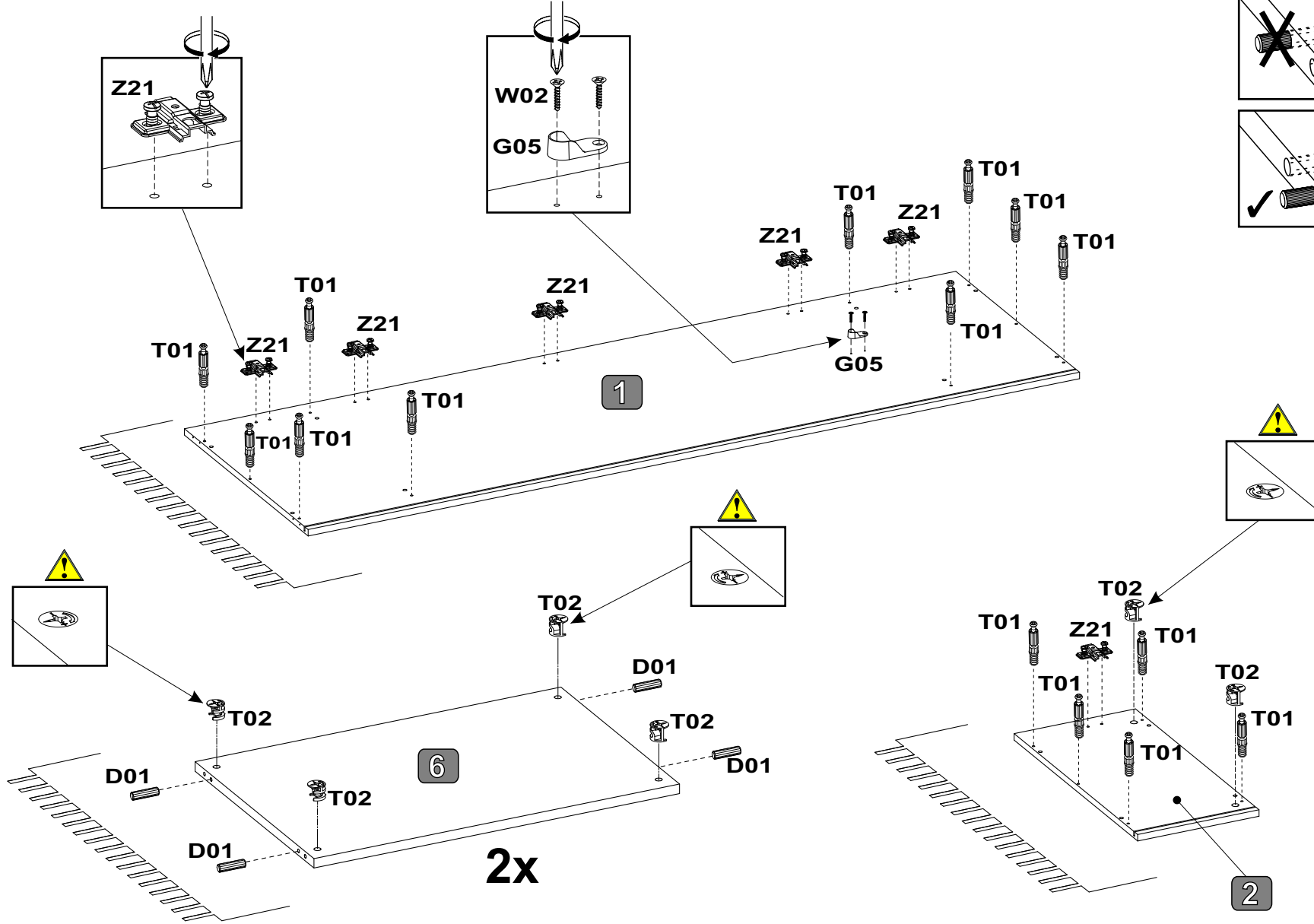
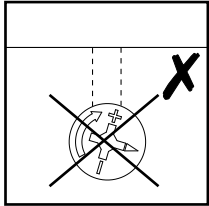
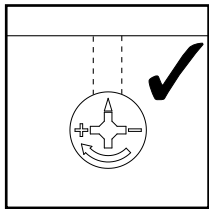
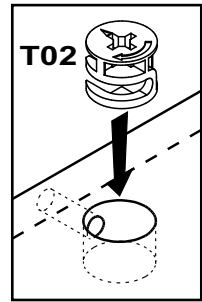
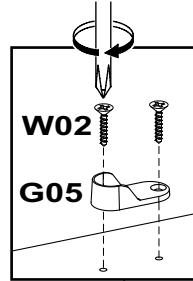
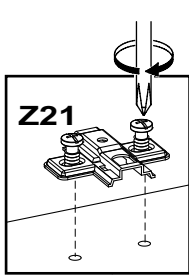
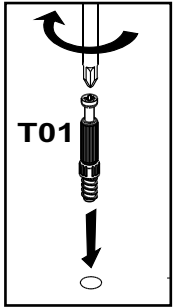
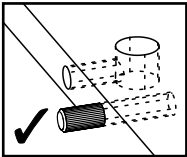
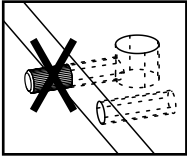
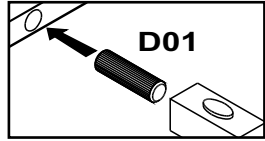


0 10 20 30 40 50 60 70 80 90 100 110 120 130 140 150 160 170 180 190 200



1

| | | | | | |
|------|-----|-------|-----|-----|--------|
| 8x28 | | 15x12 | | | 3,5x13 |
| | | | | | |
| 8x | D01 | 15x | T01 | 10x | T02 |
| | | 6x | Z21 | 1x | G05 |
| | | | | 2x | W02 |

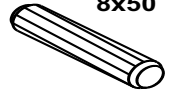

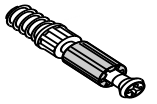
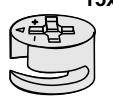
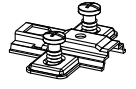
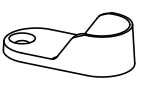




2


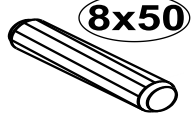
6

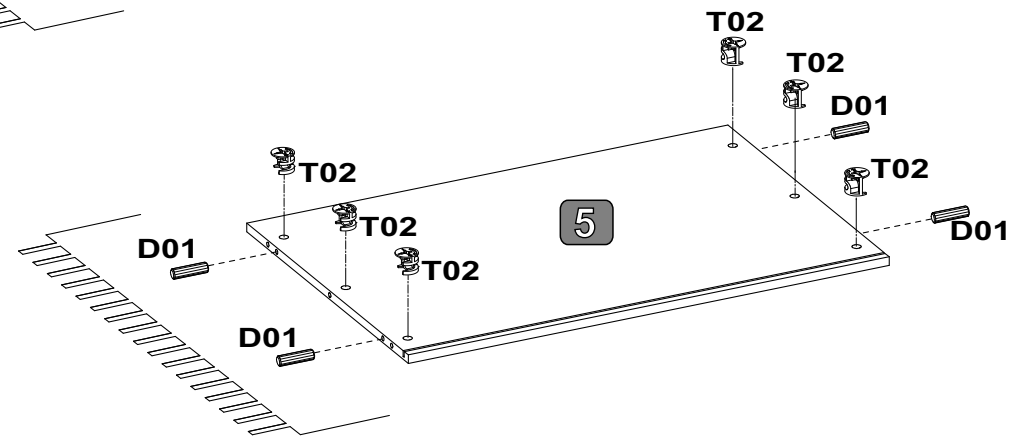
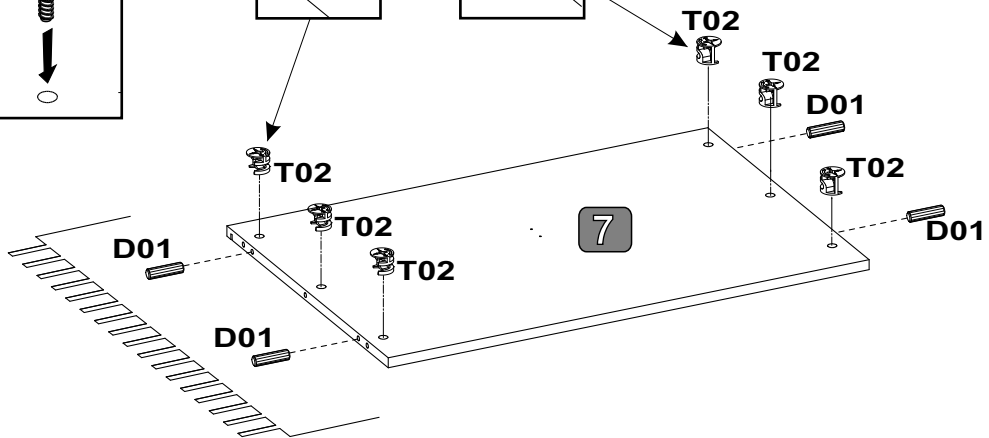
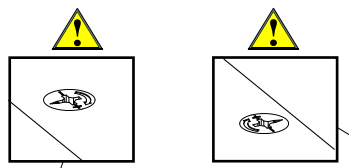
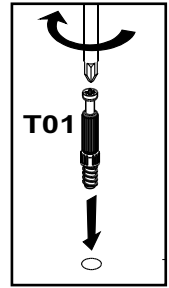
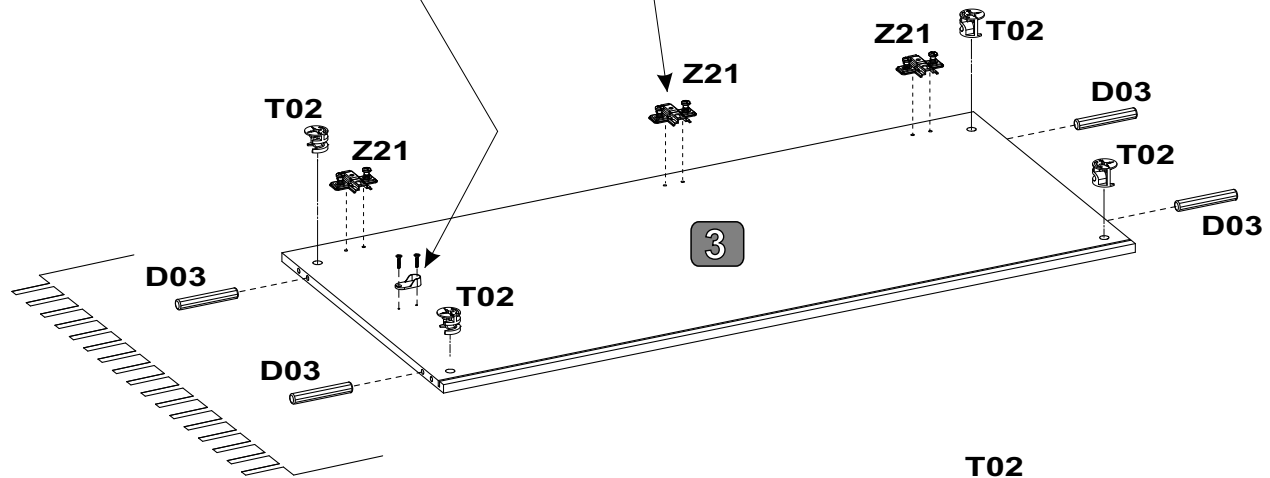
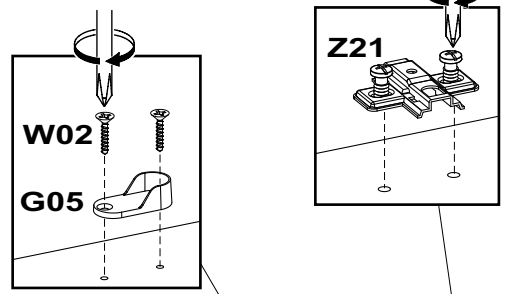
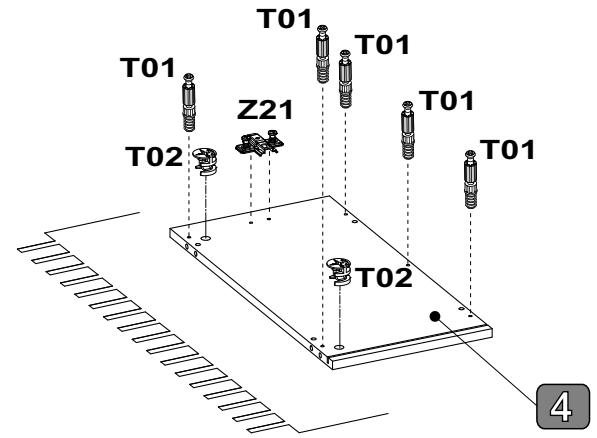
1

2

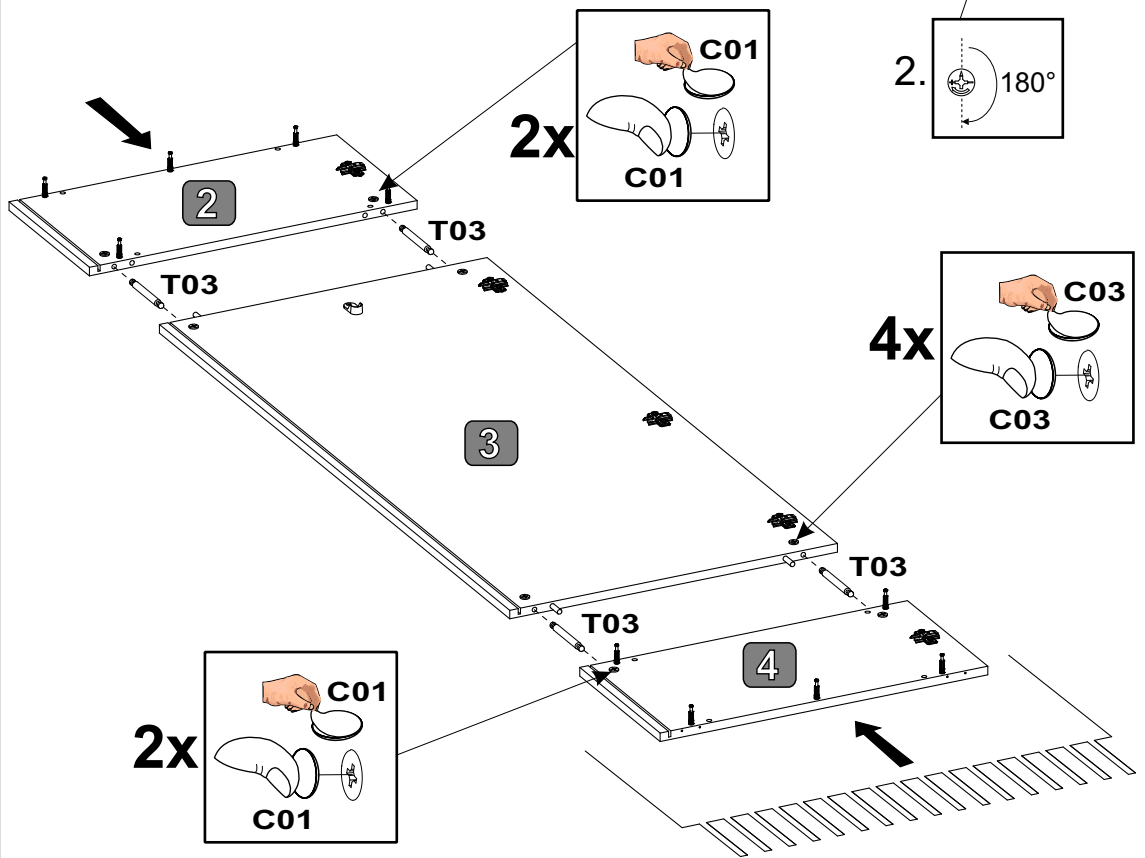
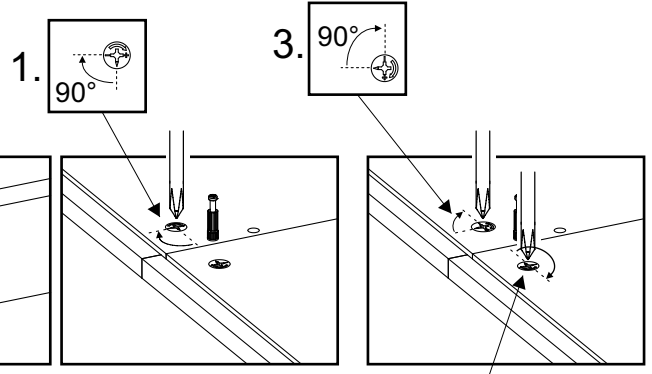
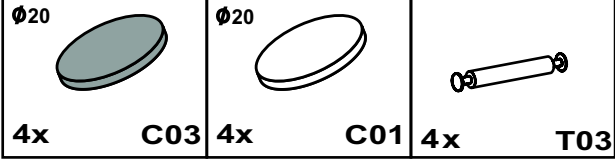
| | | | | | | | |
|---|---|--|--|--|--|---|--|
|  8x50 |  8x28 |  T01 |  15x12 |  Z21 |  G05 |  3,5x13 |  W02 |
| 4x D03 | 8x D01 | 5x T01 | 18x T02 | 4x Z21 | 1x G05 | 2x W02 | |



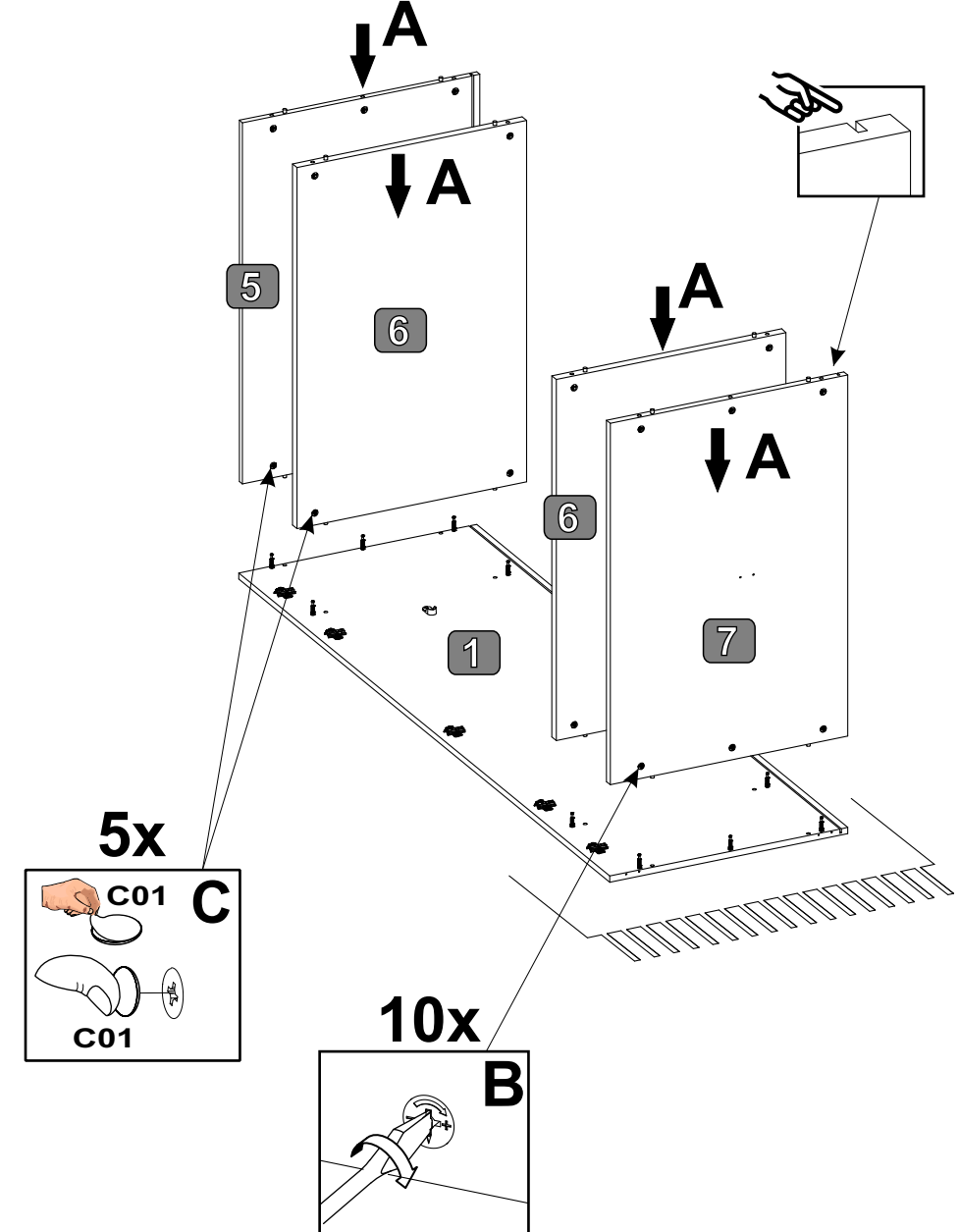
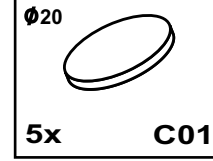
| | |
|---|---|
|  8x28 |  8x50 |
| 16x D01 | 8x D03 |



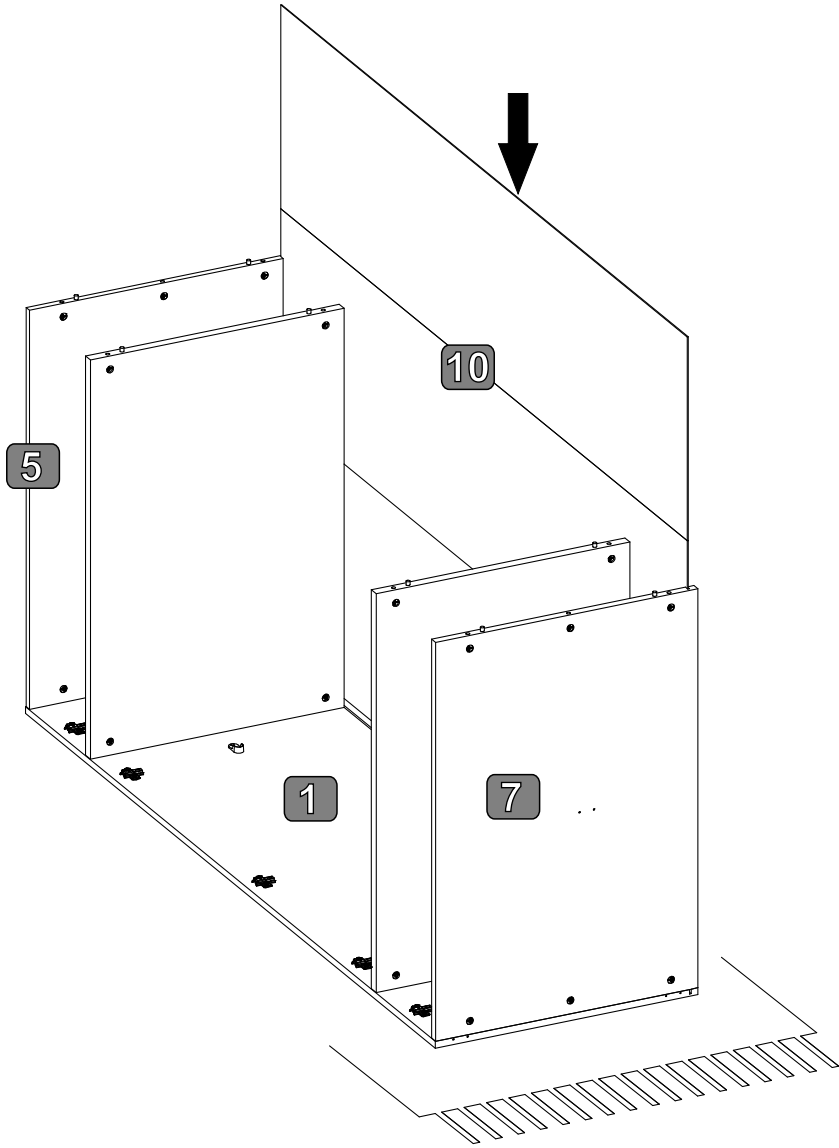
3



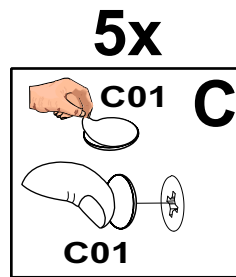
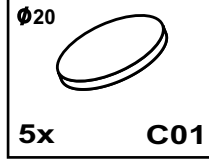
4



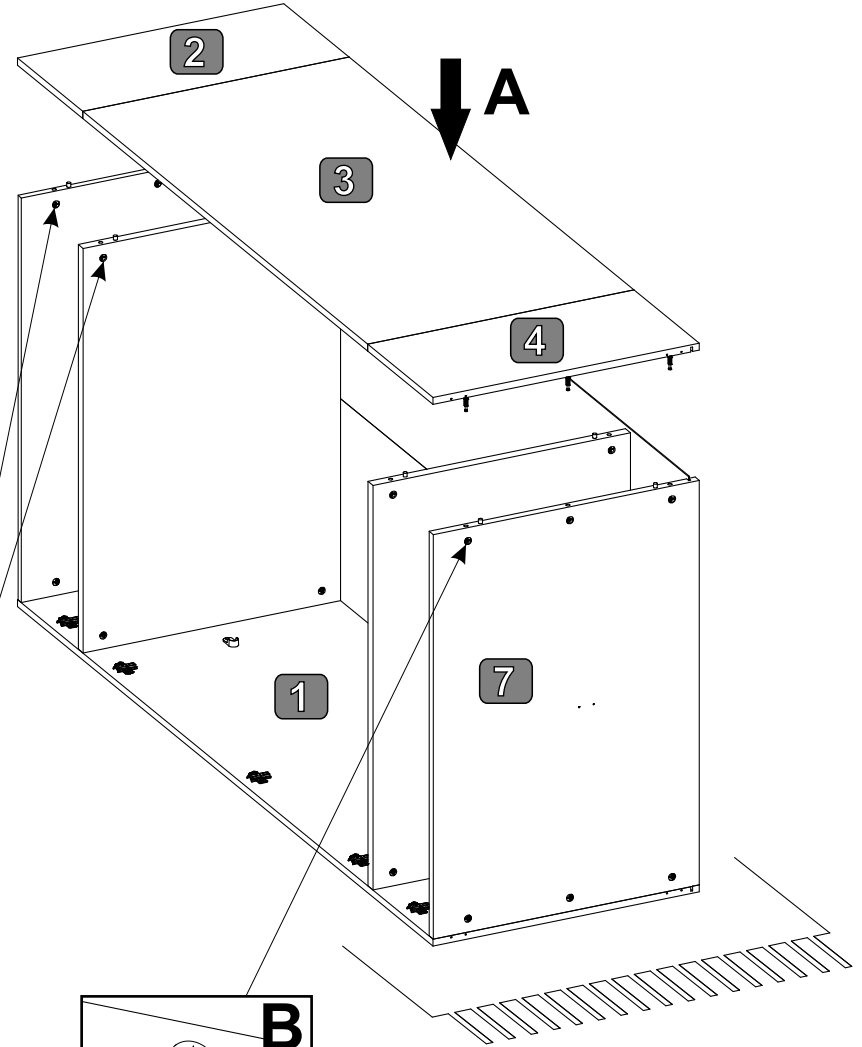
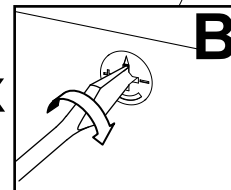
5



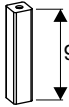


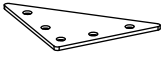
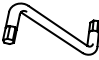

6

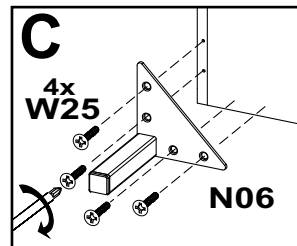
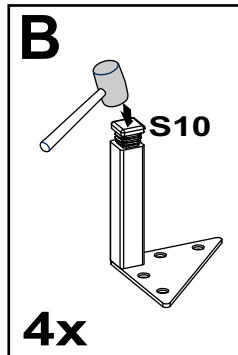
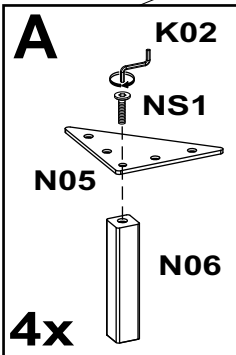
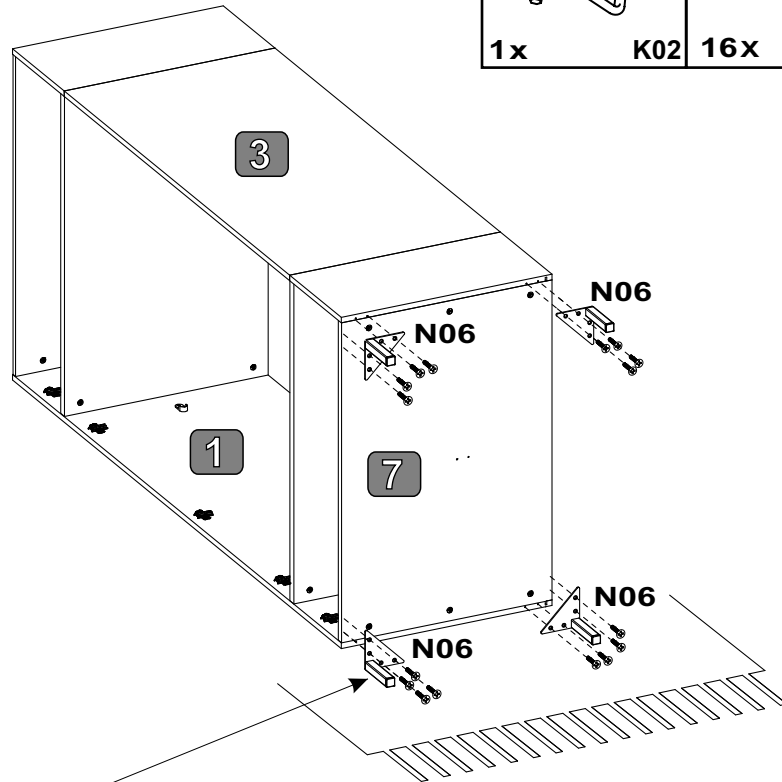


10x




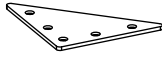




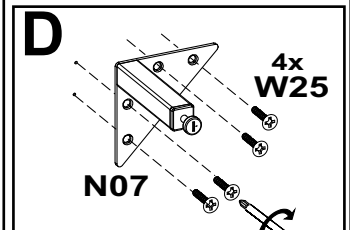
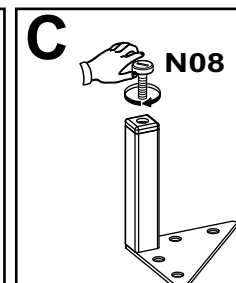
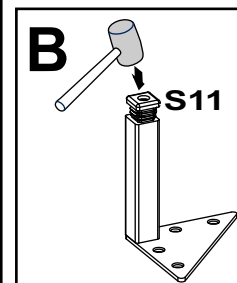
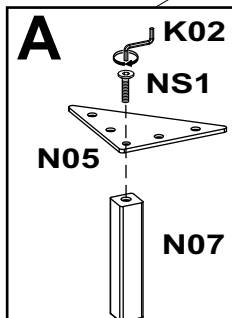
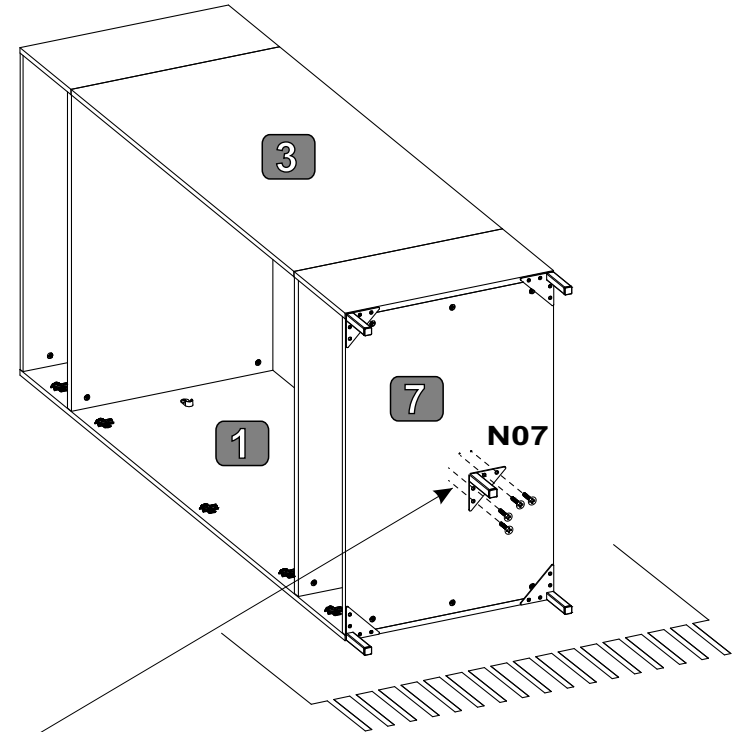
7

| | | | |
|--|--|--|--|
| 4x  N06 | 4x  S10 | 4x  NS1 | 4x  N05 |
| | | 1x  K02 | 16x  W25 |

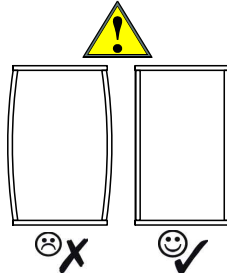
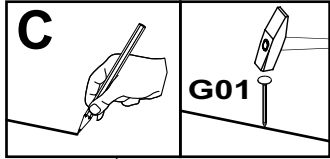
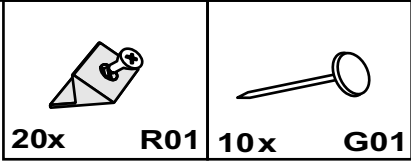


8

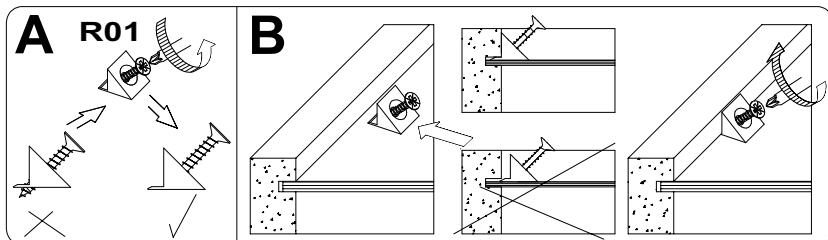
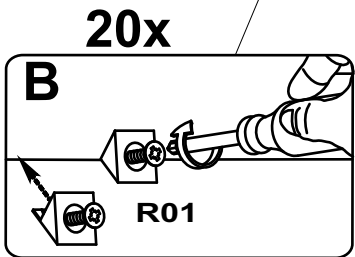
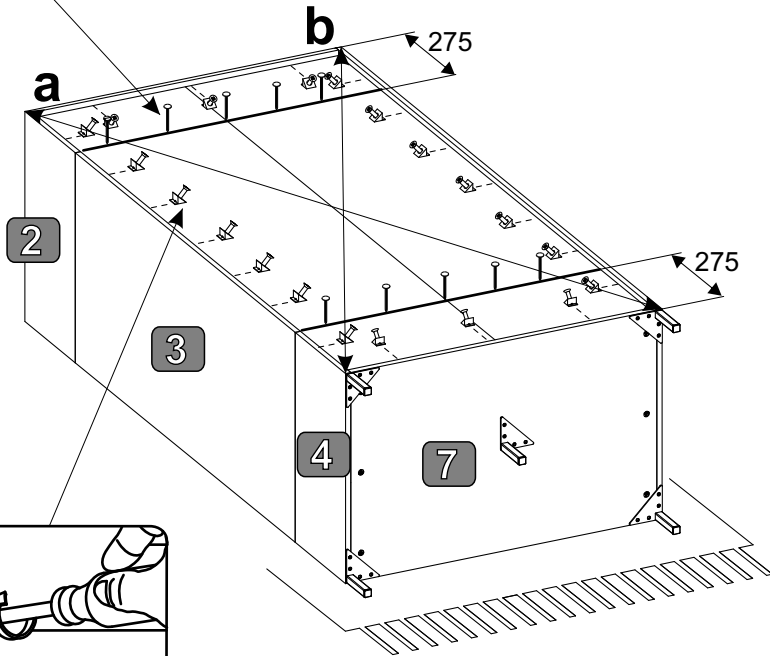
| | | | |
|--|--|--|--|
| 1x  N07 | 1x  S11 | 1x  NS1 | 1x  N05 |
| | | 1x  K02 | 4x  W25 |



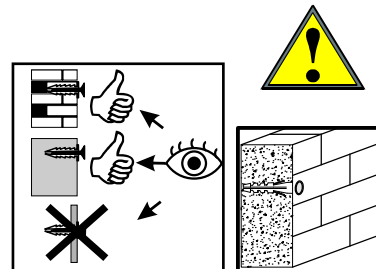
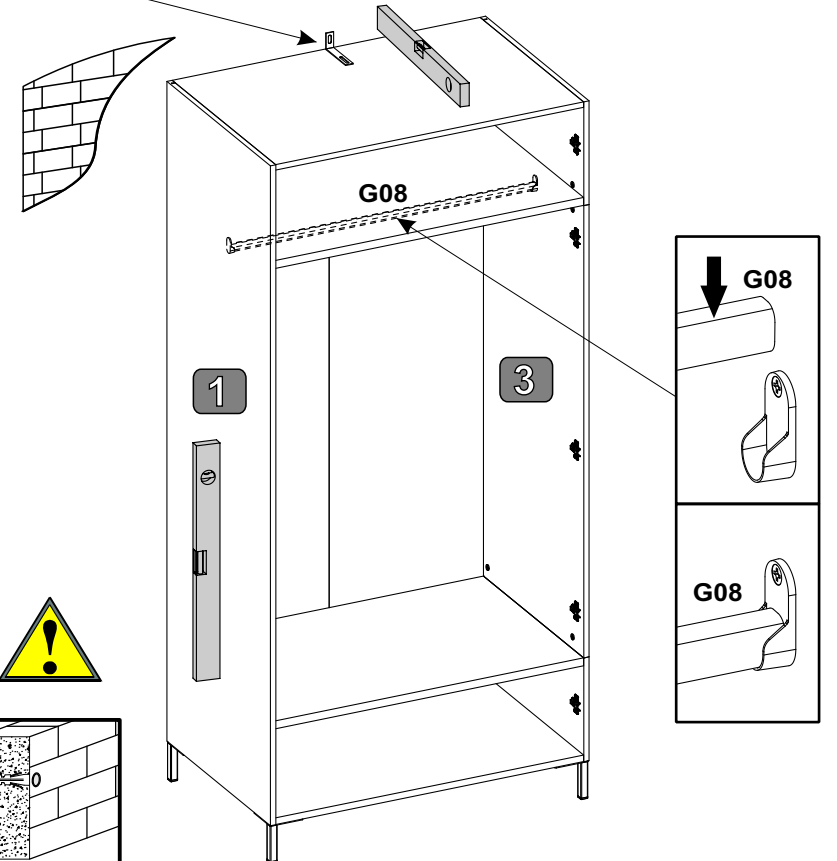
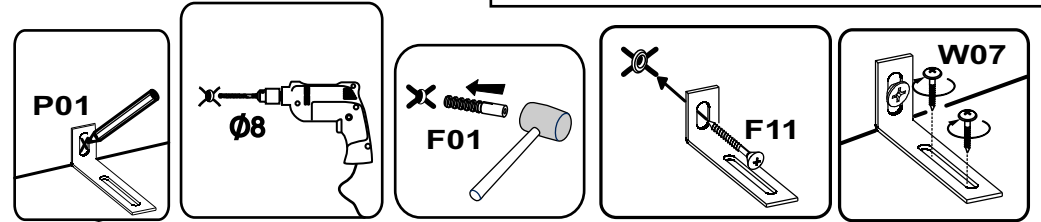
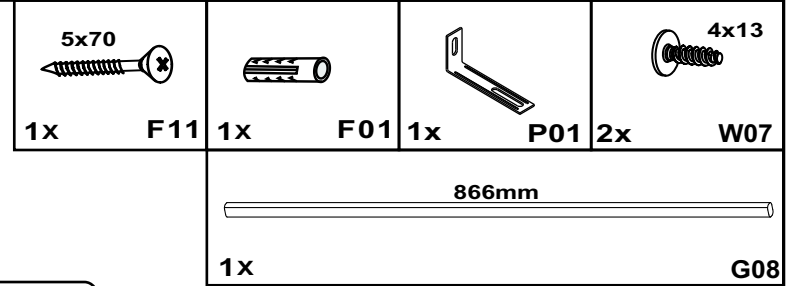
9



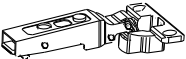
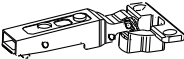

a=b

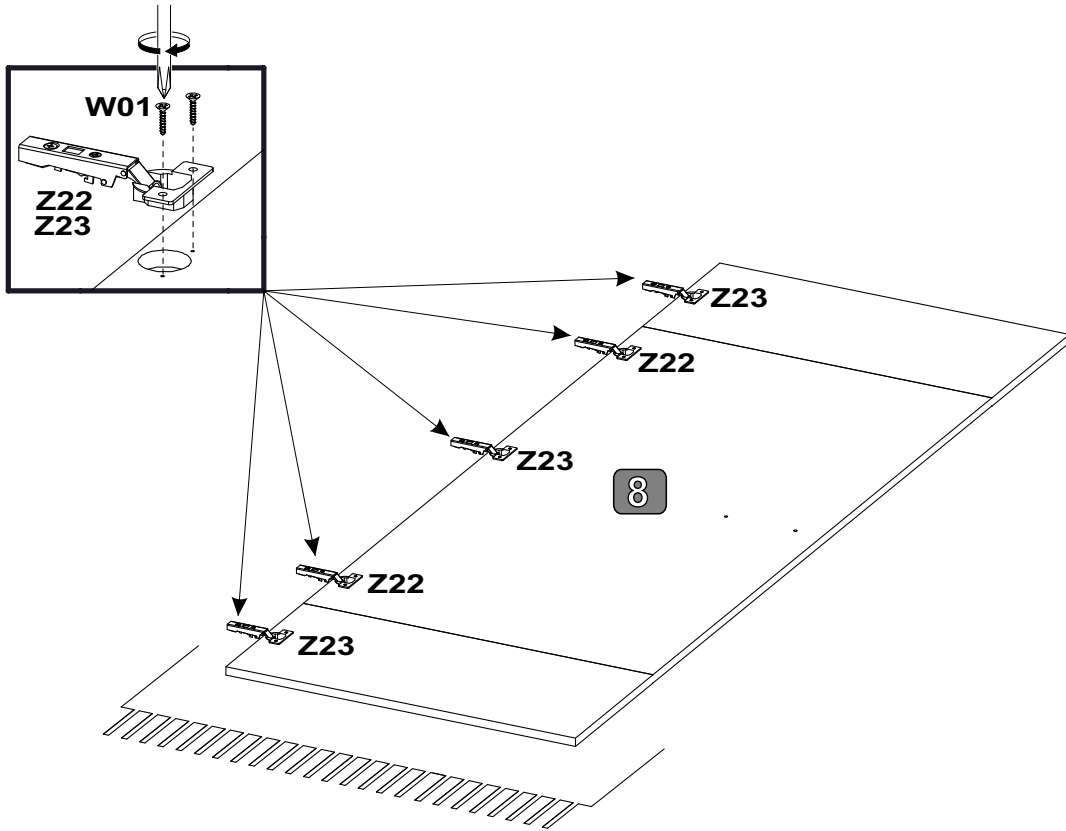
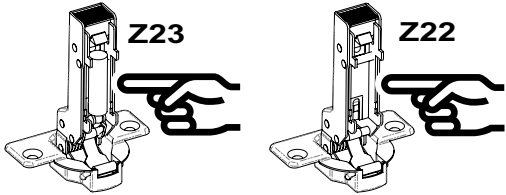


10

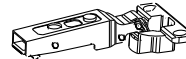
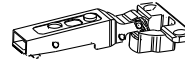
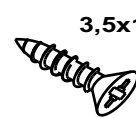


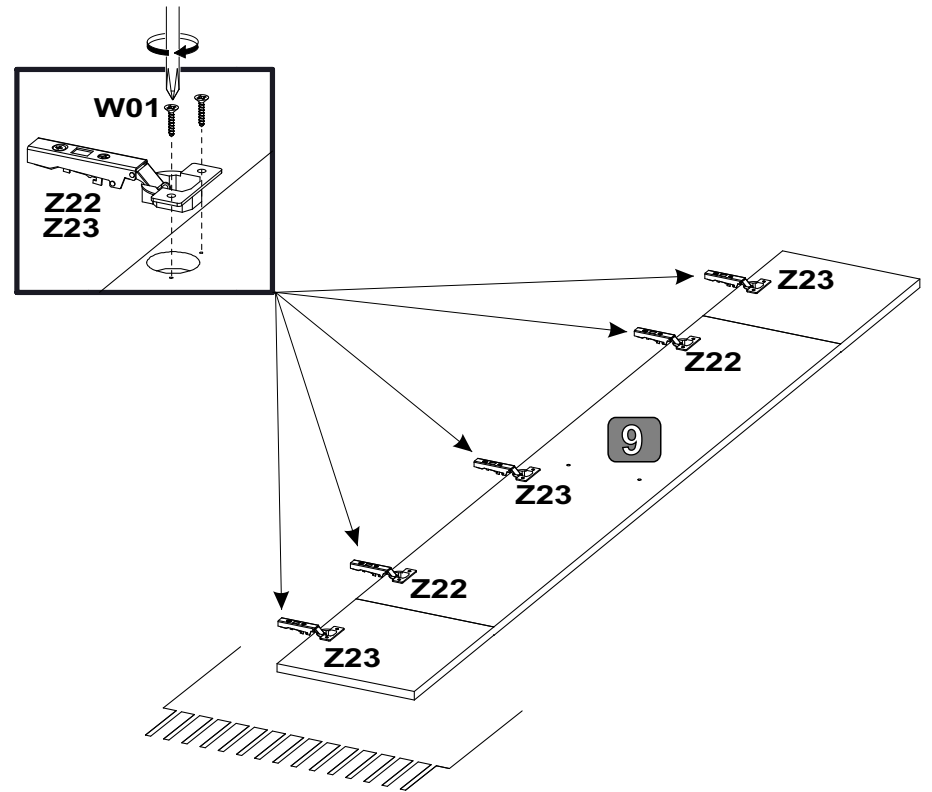
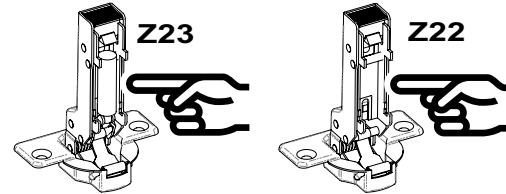
11

| | | |
|--|--|---|
| Ø35 KR-0  | Ø35 KR-0  | 3,5x16  |
| 2x Z22 | 3x Z23 | 10x W01 |



12

| | | |
|--|--|--|
| Ø35 KR-0  | Ø35 KR-0  | 3,5x16  |
| 2x Z22 | 3x Z23 | 10x W01 |



13

