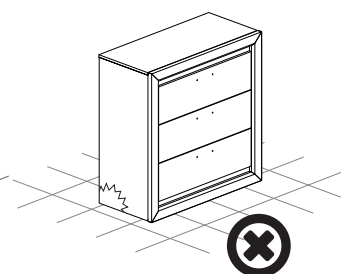
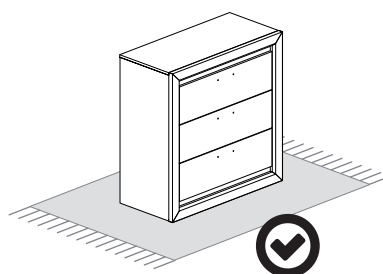
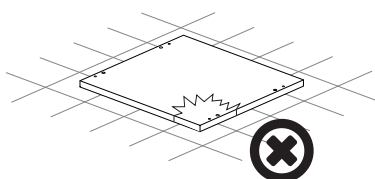
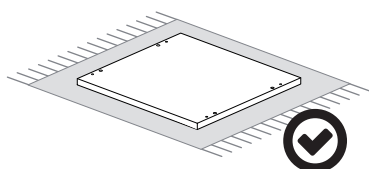
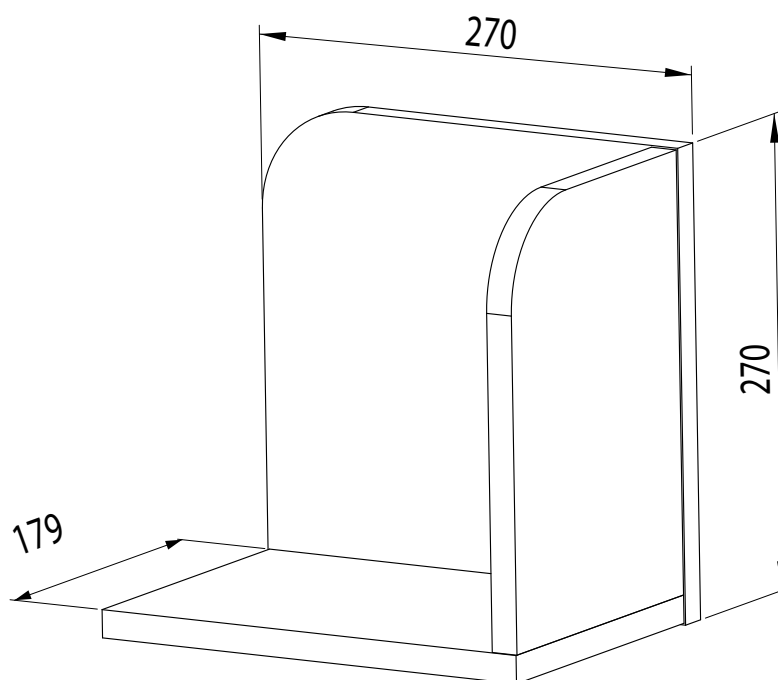
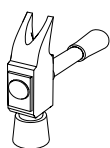
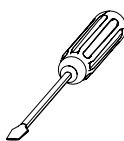
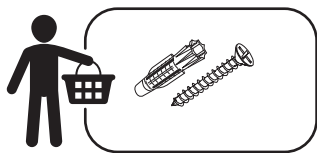
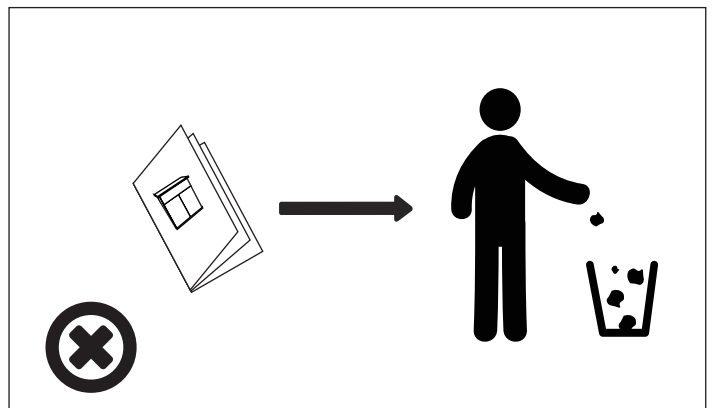
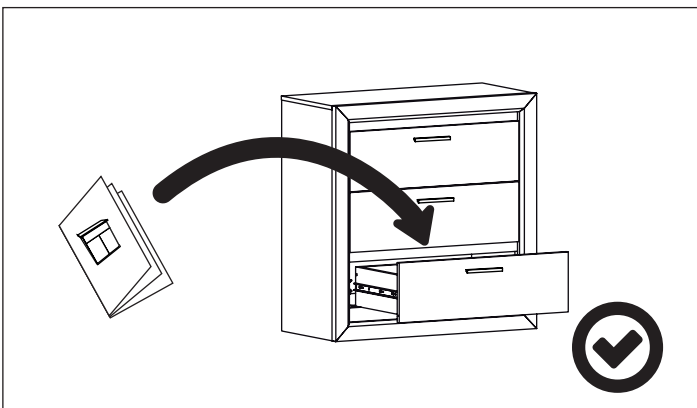
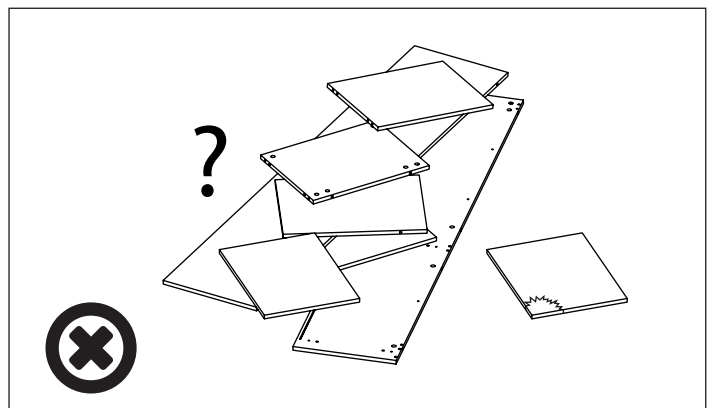
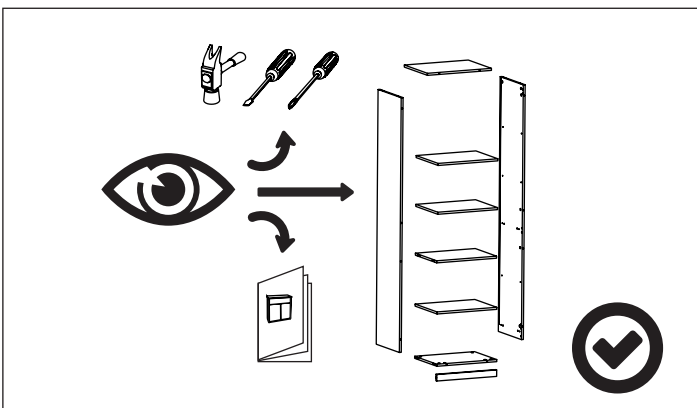
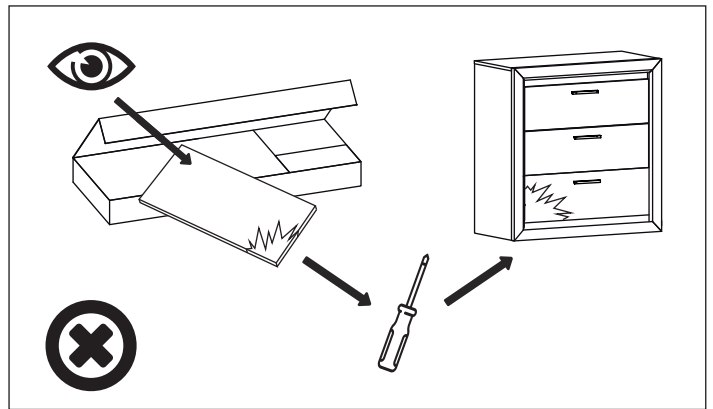
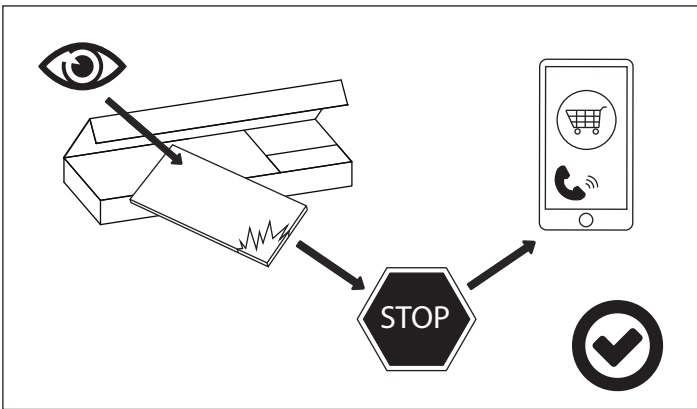
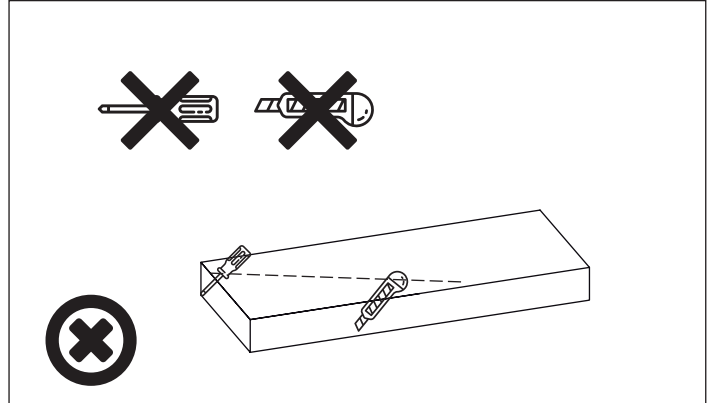
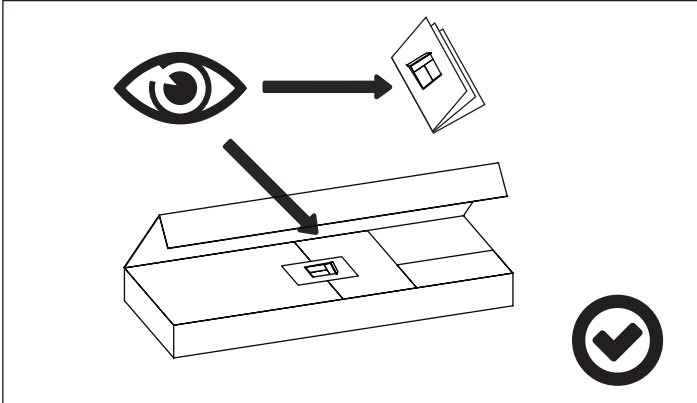
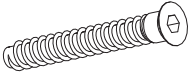

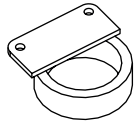
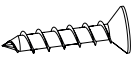


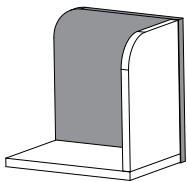





# IQ 16 N

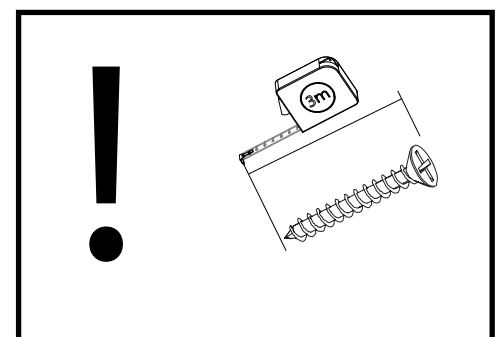
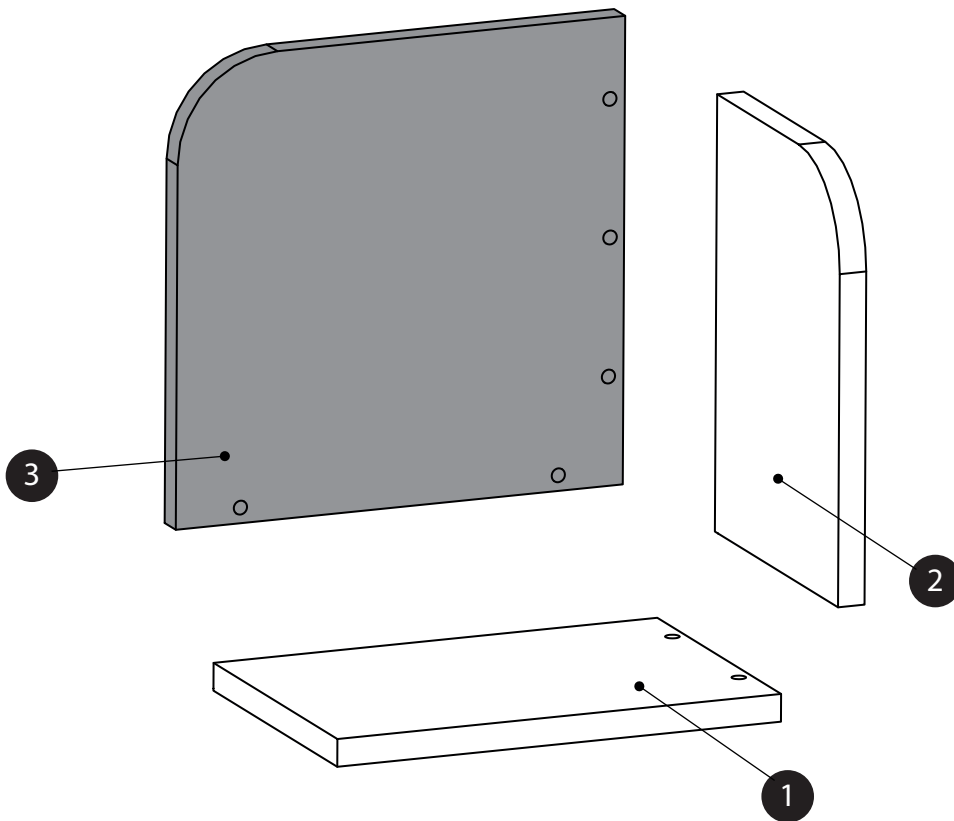


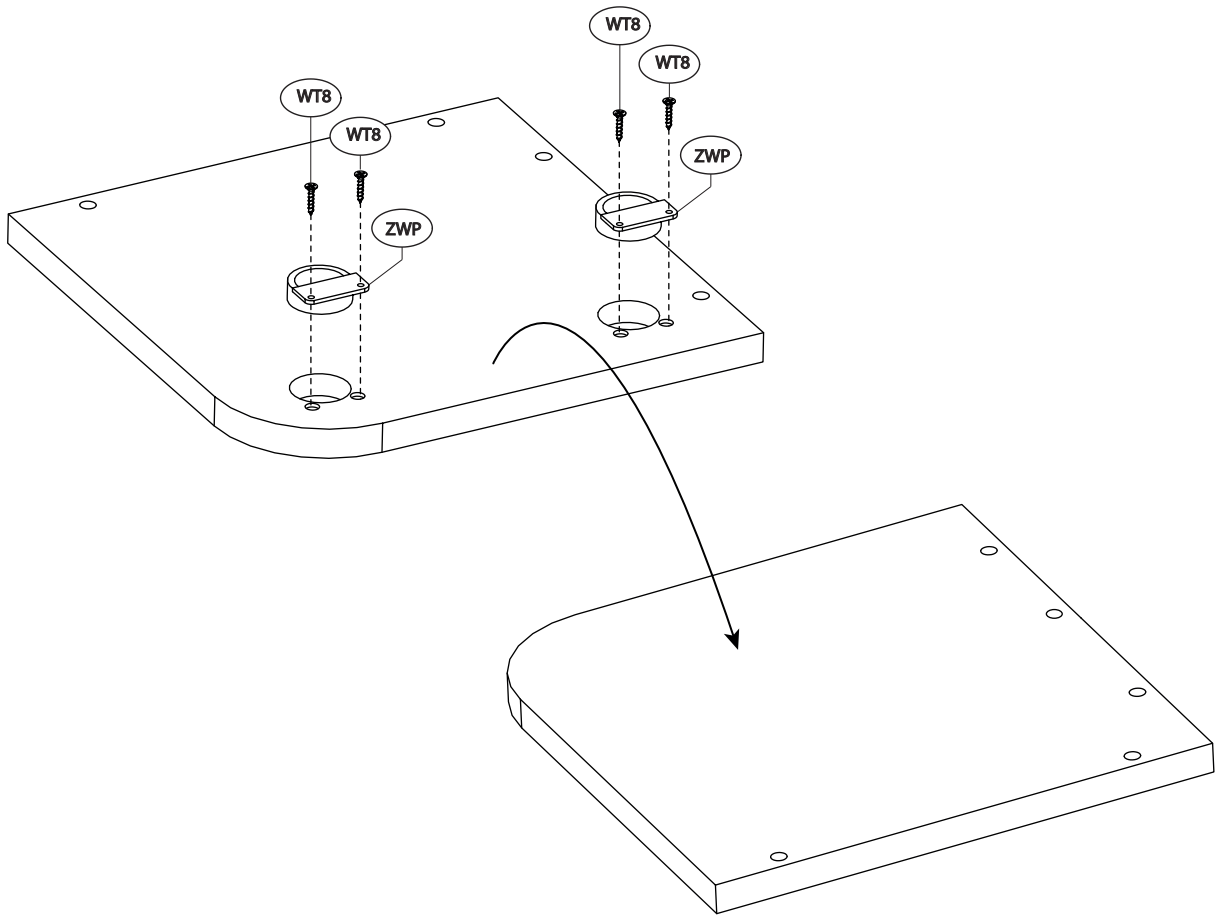
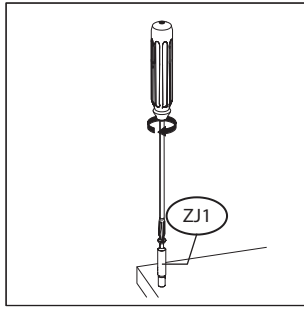
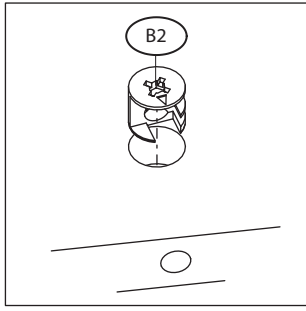
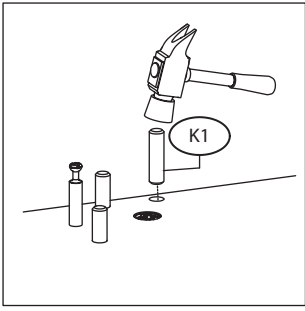


<b>KT1</b> x 7 6,3x50 	<b>ZS1</b> x 2 	<b>ZWP</b> x 2 
<b>WT8</b> x 4 3x16 	<b>x 1</b> 	<b>KL</b> x 1 

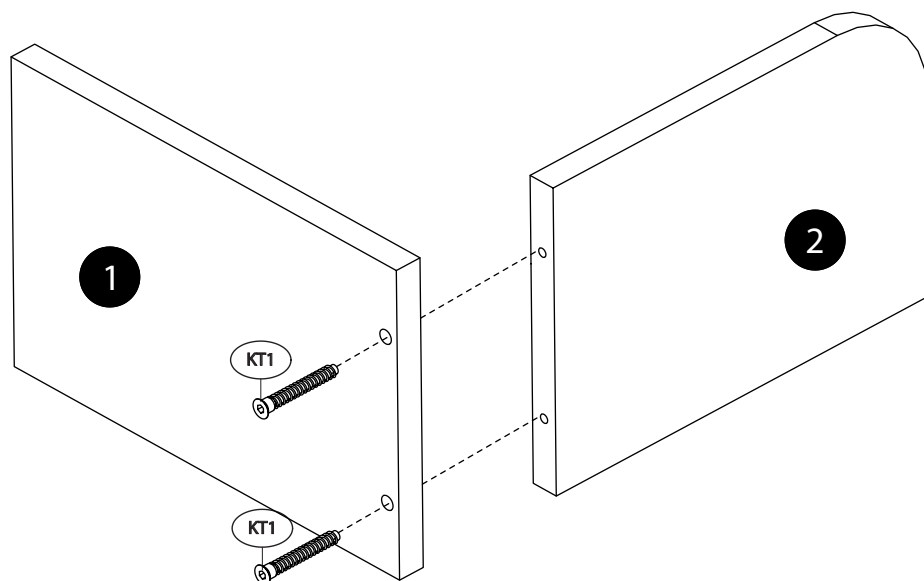


	CODE			
1	IQ16K_01	268	179	1
2	IQ16K_02	252	178	1
3	IQ16WN_01	270	270	1





A ▶



B ▶

