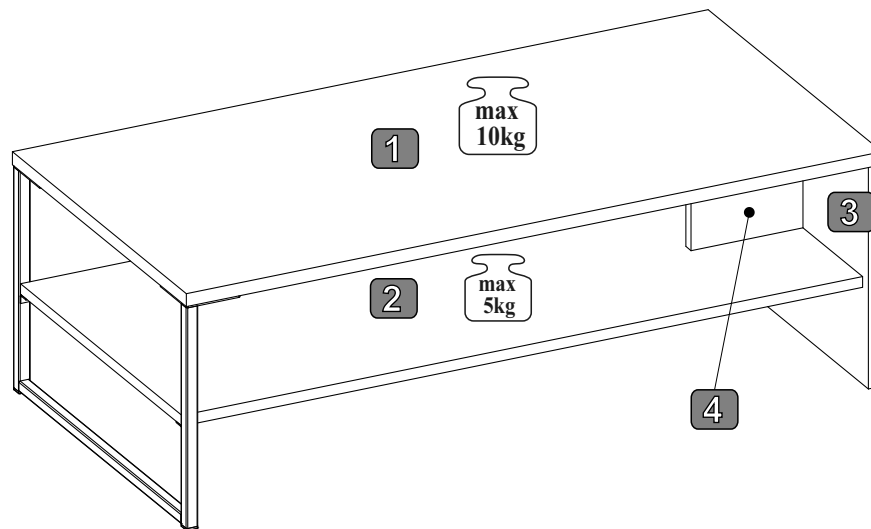
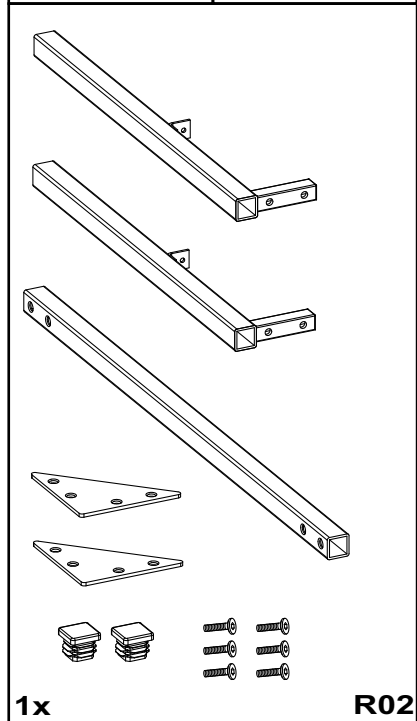


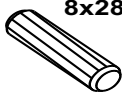
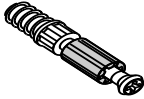
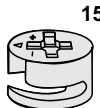

NR	DIM	QTE	COLLI
1	1200x600x22	1	1/1
2	1174x557x18	1	1/1
3	598x375x22	1	1/1
4	193x193x18	1	1/1

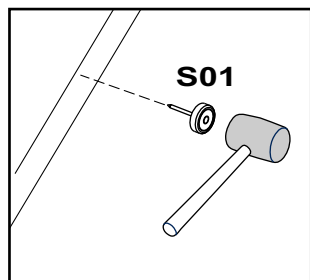
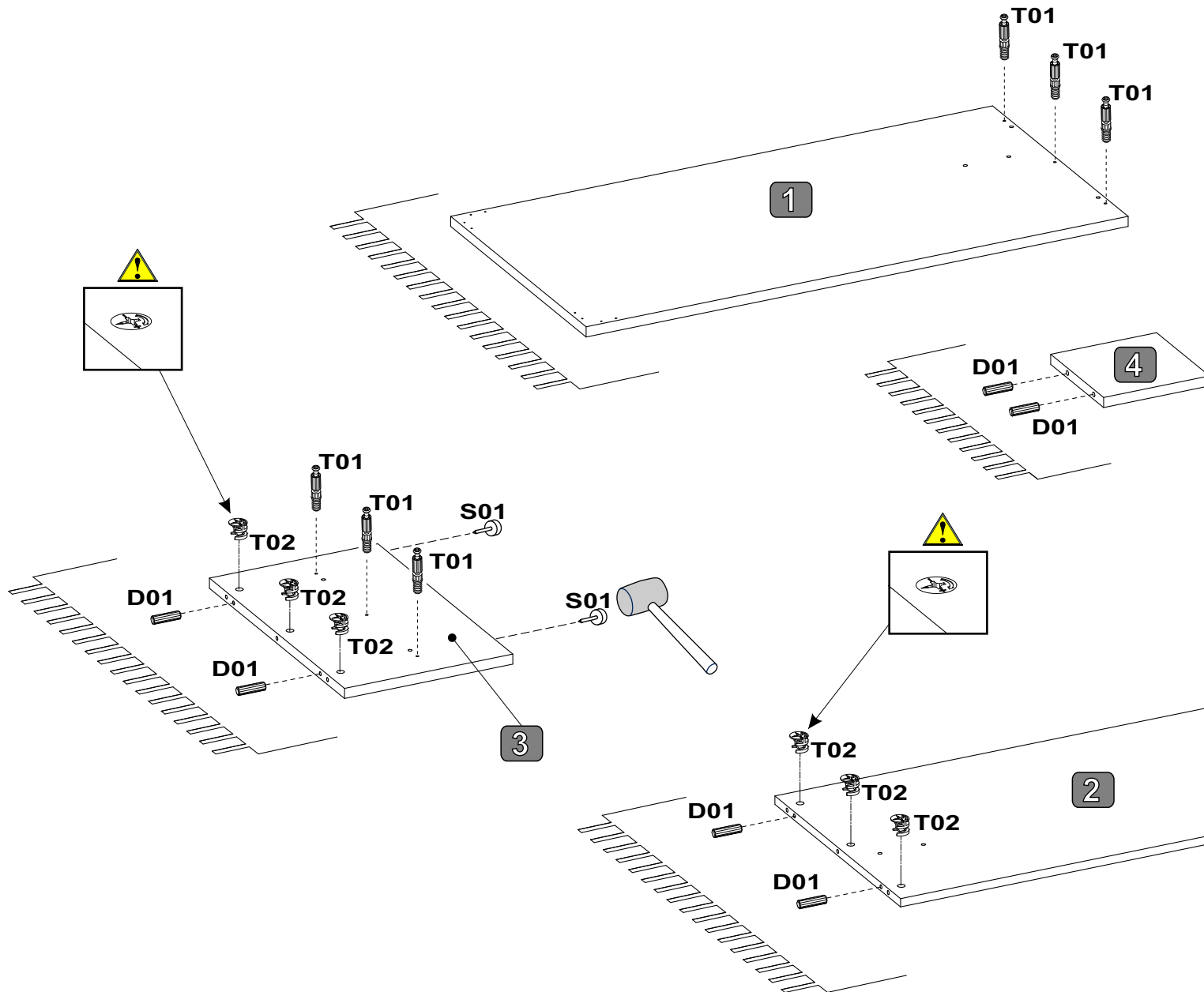
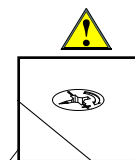
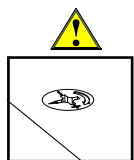
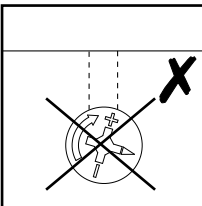
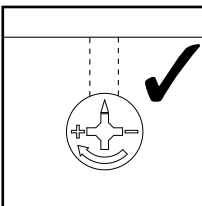
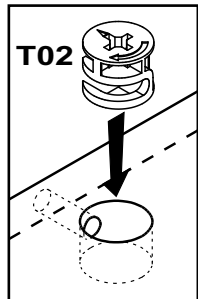
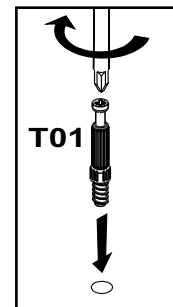
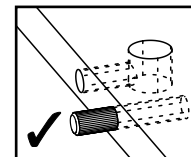
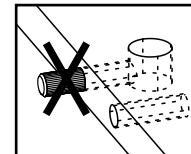
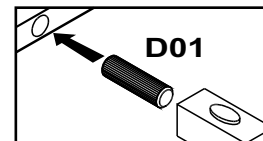


0 10 20 30 40 50 60 70 80 90 100 110 120 130 140 150 160 170 180 190 200

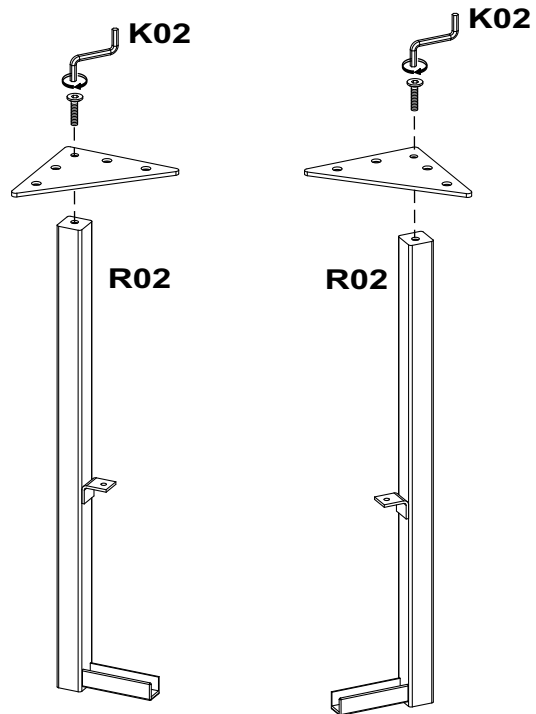
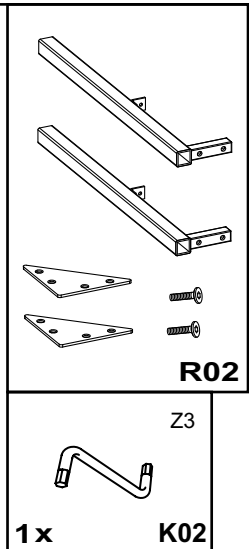


1

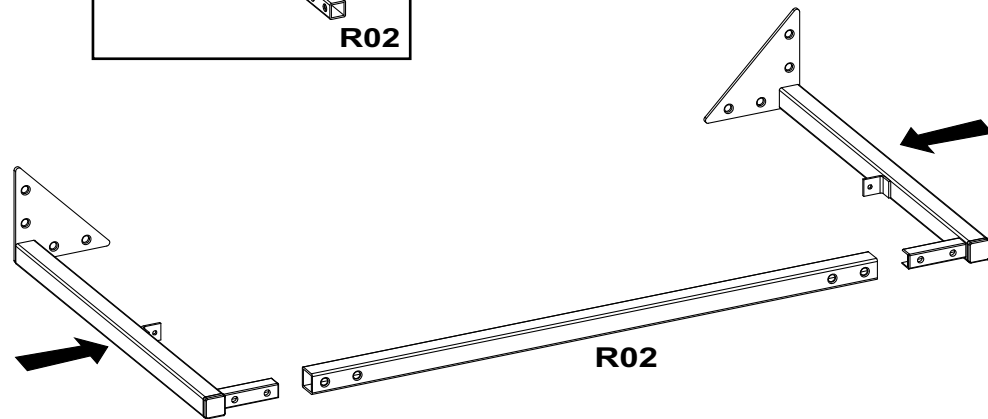
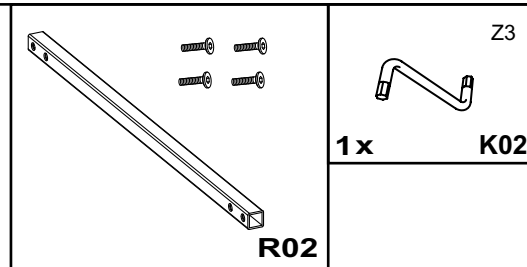
 8x28 6x D01	 T01 6x	 15x12 T02 6x	 S01 2x
--	--	---	--



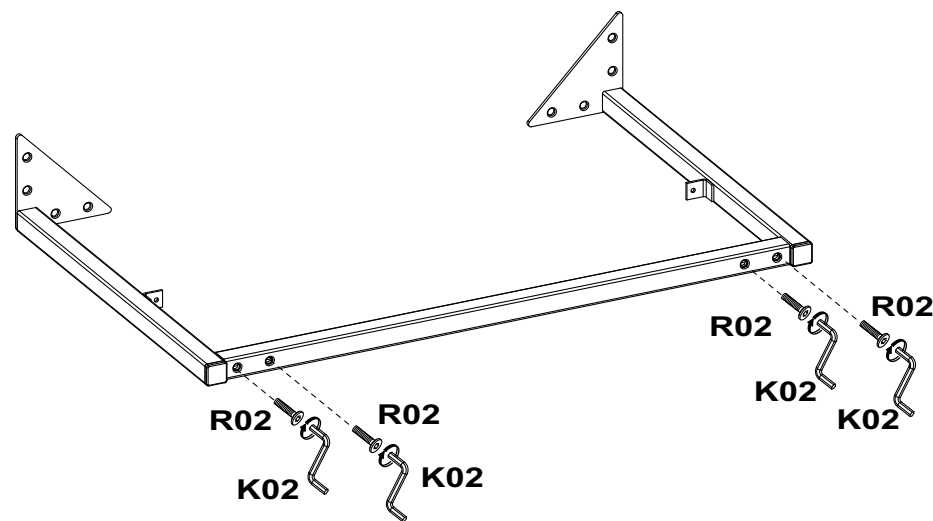
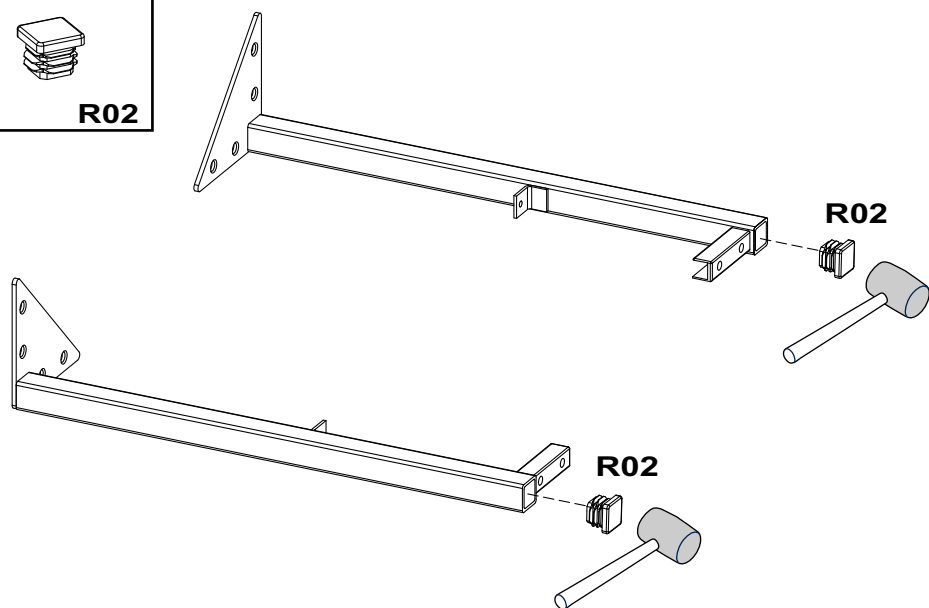
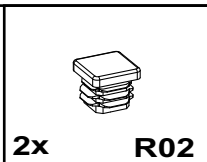
2



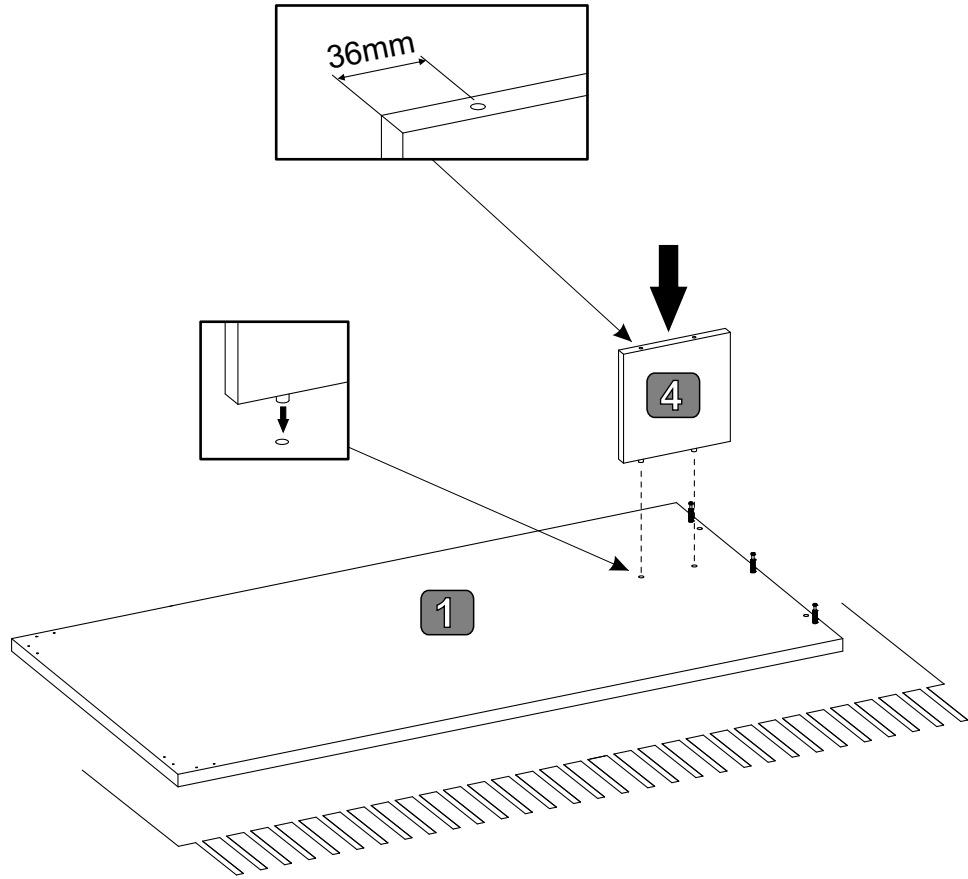
4





3

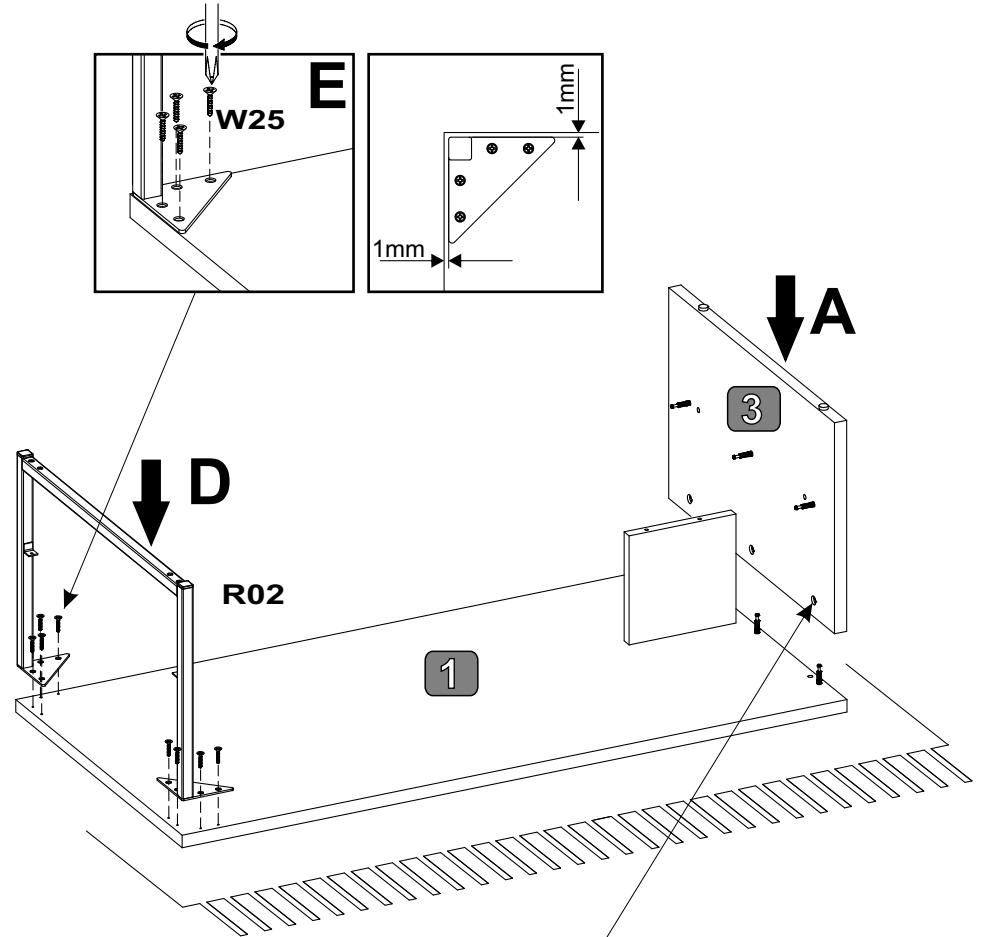






5



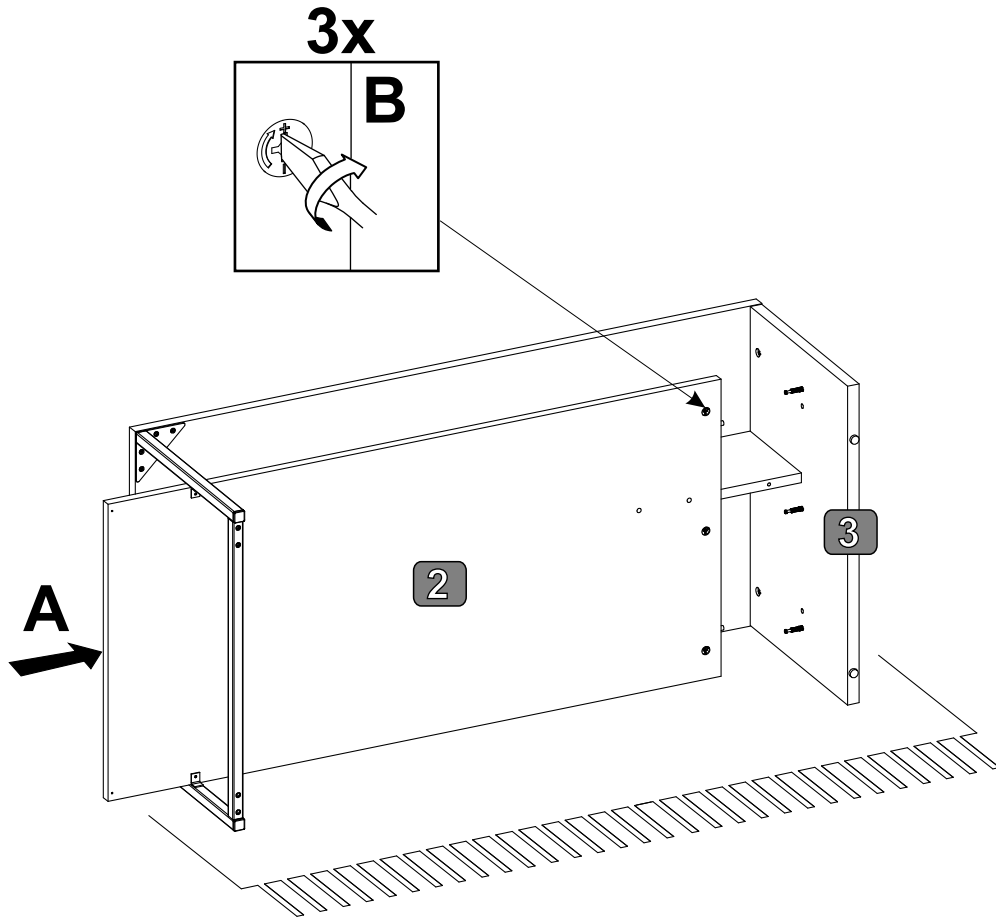
6

4x16 	Ø20 
8x W25	3x C01



3x B 	3x C  C01  C01 
---	---

7



8

4x16 2x W25	Z4 1x K03	7x50 2x W15
-------------------	-----------------	-------------------

