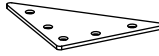


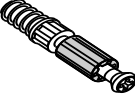
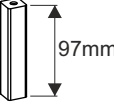
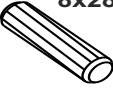




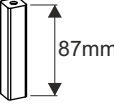






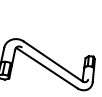
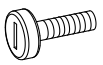

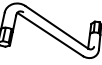

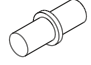
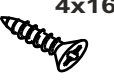
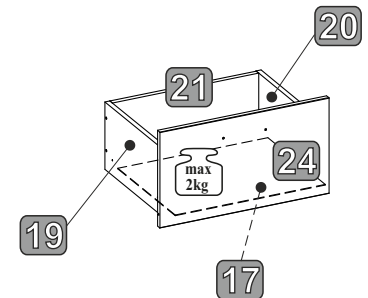
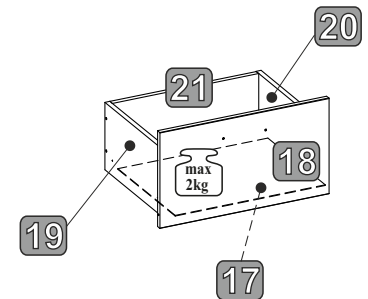
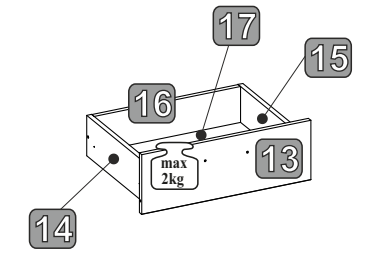
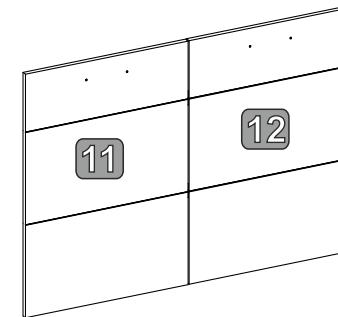
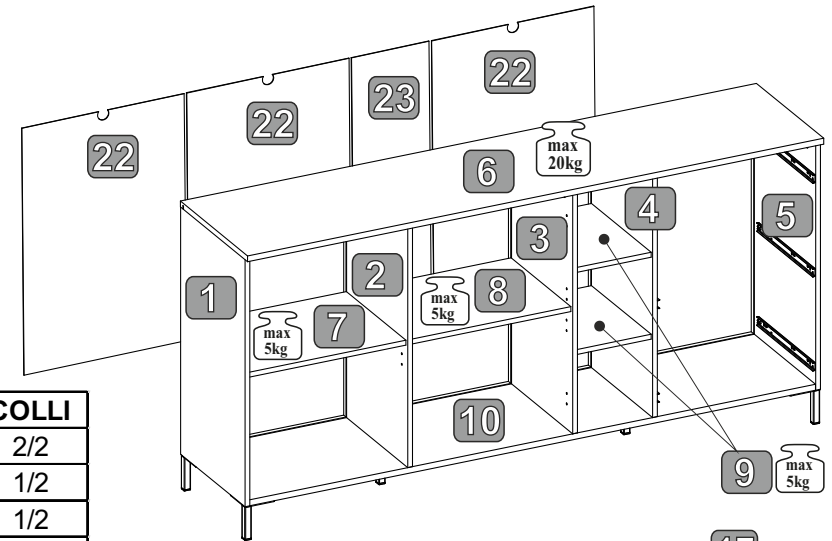
 24x T02	 6x N05	 42x R01	 2x P01
 24x T01	 4x N06	 6x Z21	 4x W07
 44x D01	 4x S10	 6x Z22	 2x F11
 6x W15	 2x N07	 12x W01	 2x F01
 10x W16	 2x S11	 5x S42	 16x C01
 1x K02	 2x N08	 10x W28	 2x L6
 1x K03	 6x NS1	 6x P06	
 16x E01	 24x W25	 36x W02	

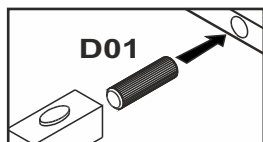
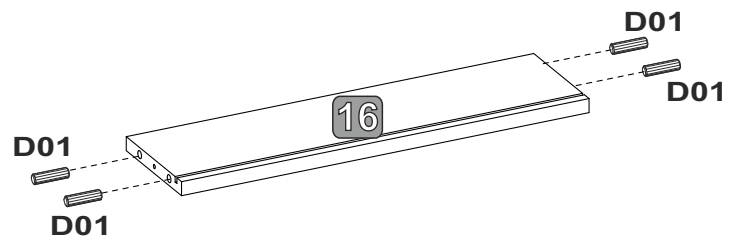
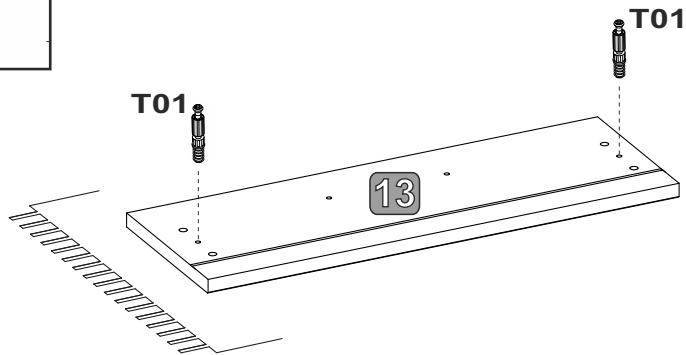
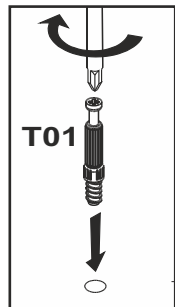
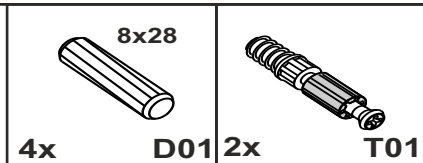
NR	DIM	QTE	COLLI
1	757x402x15	1	2/2
2	739x401x18	1	1/2
3	739x401x18	1	1/2
4	739x401x18	1	1/2
5	757x402x15	1	2/2
6	1800x420x18	1	2/2
7	493x373x15	1	2/2
8	499x373x15	1	2/2
9	235x373x15	2	2/2
10	1768x401x18	1	2/2
11	512x751x15	1	1/2
12	512x751x15	1	1/2
13	512x177x15	1	1/2
14	350x120x15	1	1/2
15	350x120x15	1	1/2
16	443x120x15	1	1/2
17	454x347x2	3	1/2
18	512x284x15	1	1/2
19	350x200x15	2	1/2
20	350x200x15	2	1/2
21	443x200x15	2	1/2
22	757x507x2	3	1/2
23	757x242x2	1	1/2
24	512x284x15	1	1/2



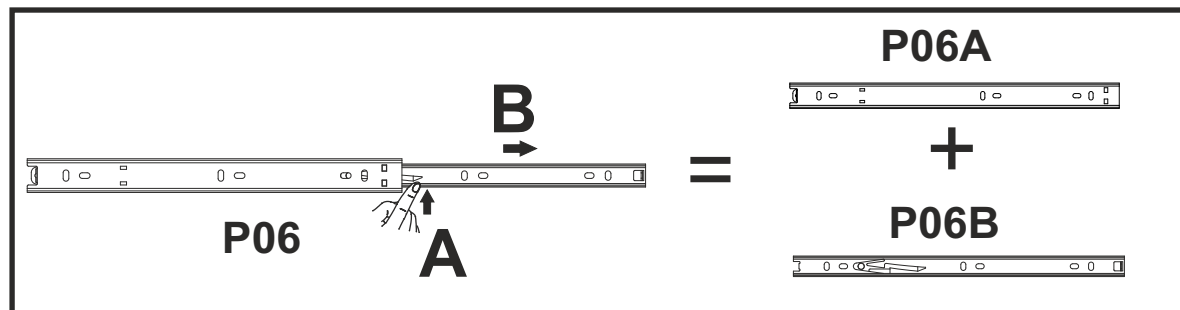
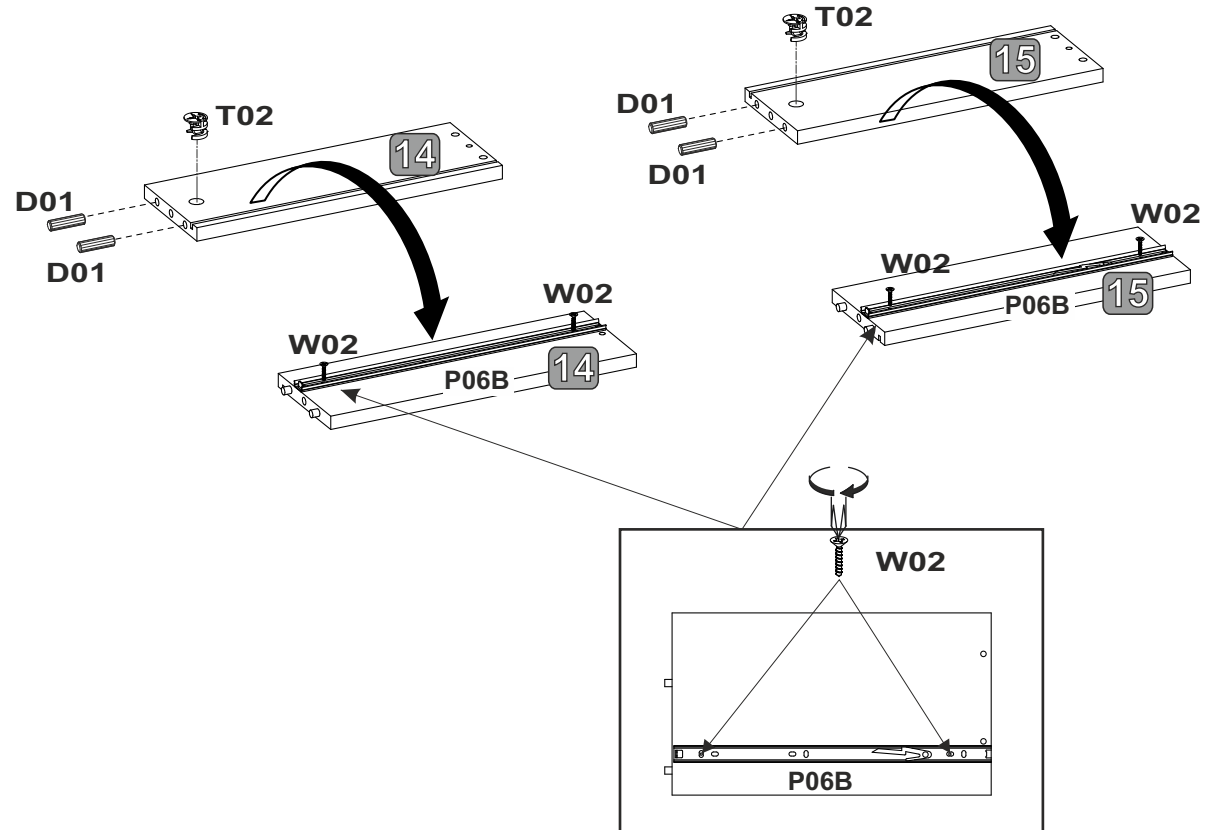
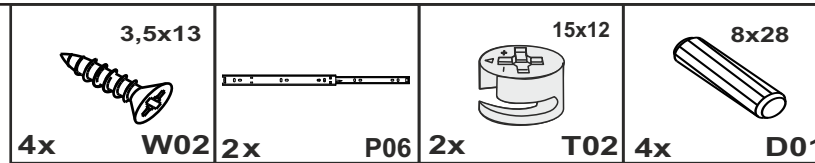
0 10 20 30 40 50 60 70 80 90 100 110 120 130 140 150 160 170 180 190 200



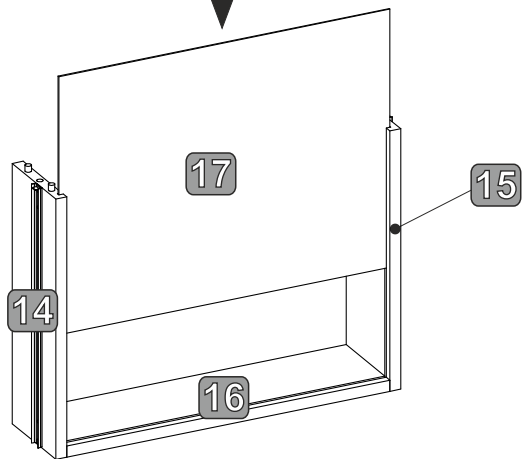
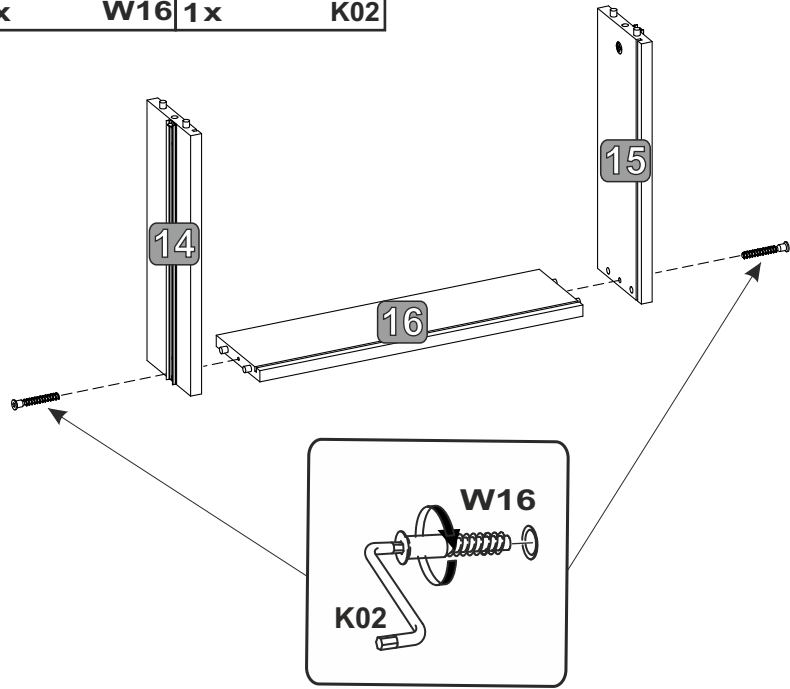
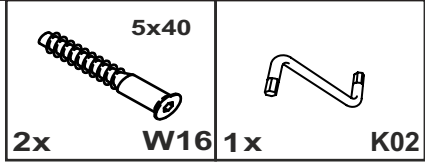
1



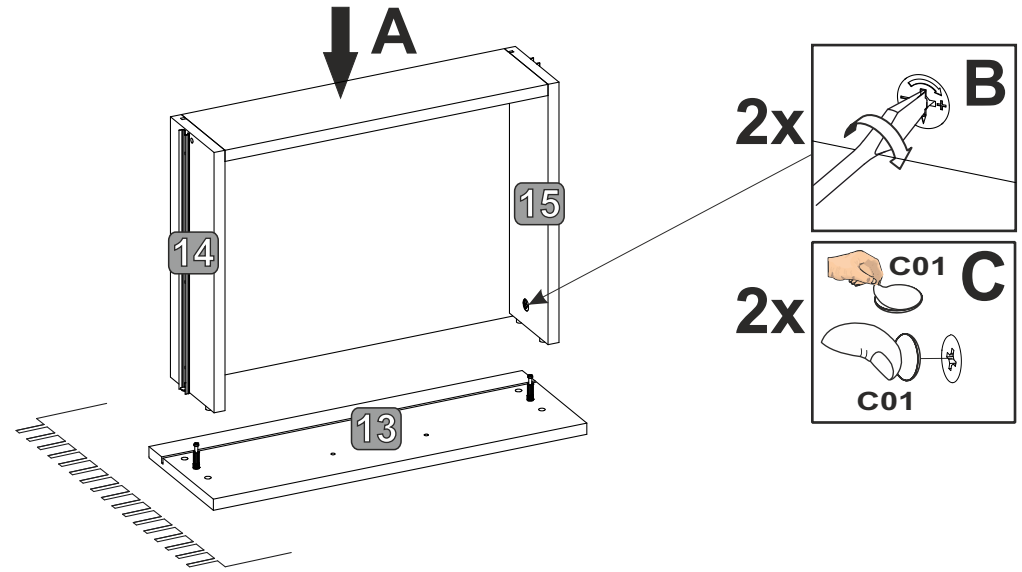
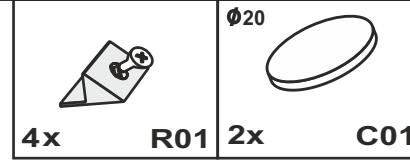
2



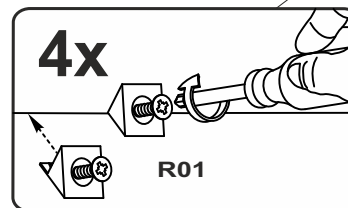
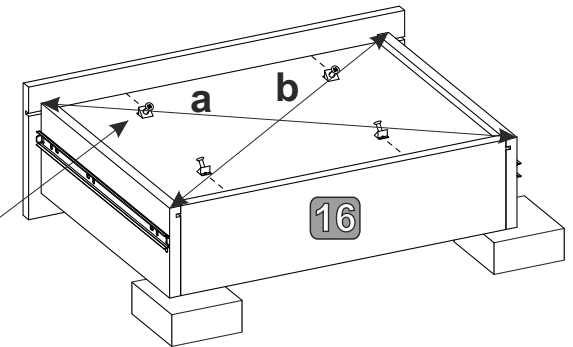
3



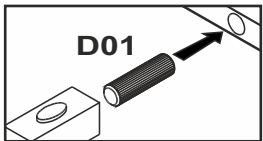
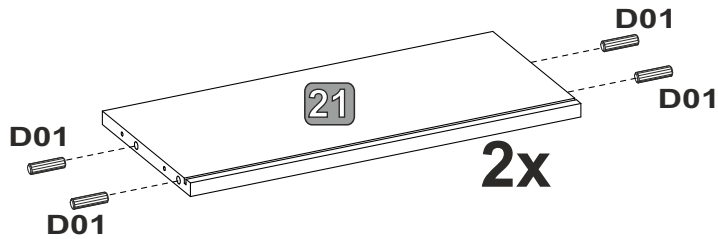
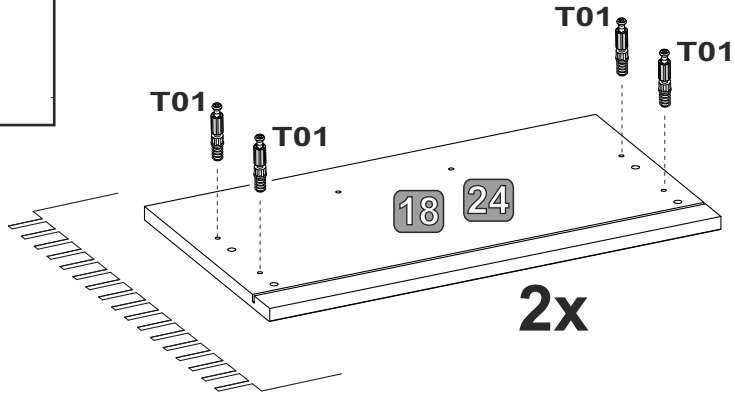
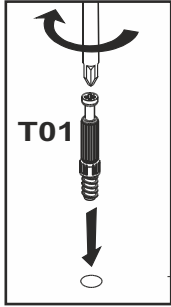
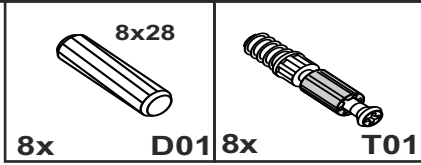
4



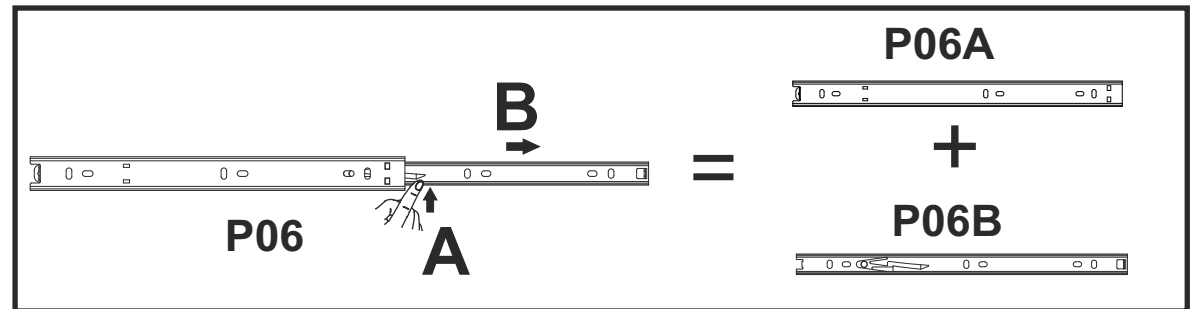
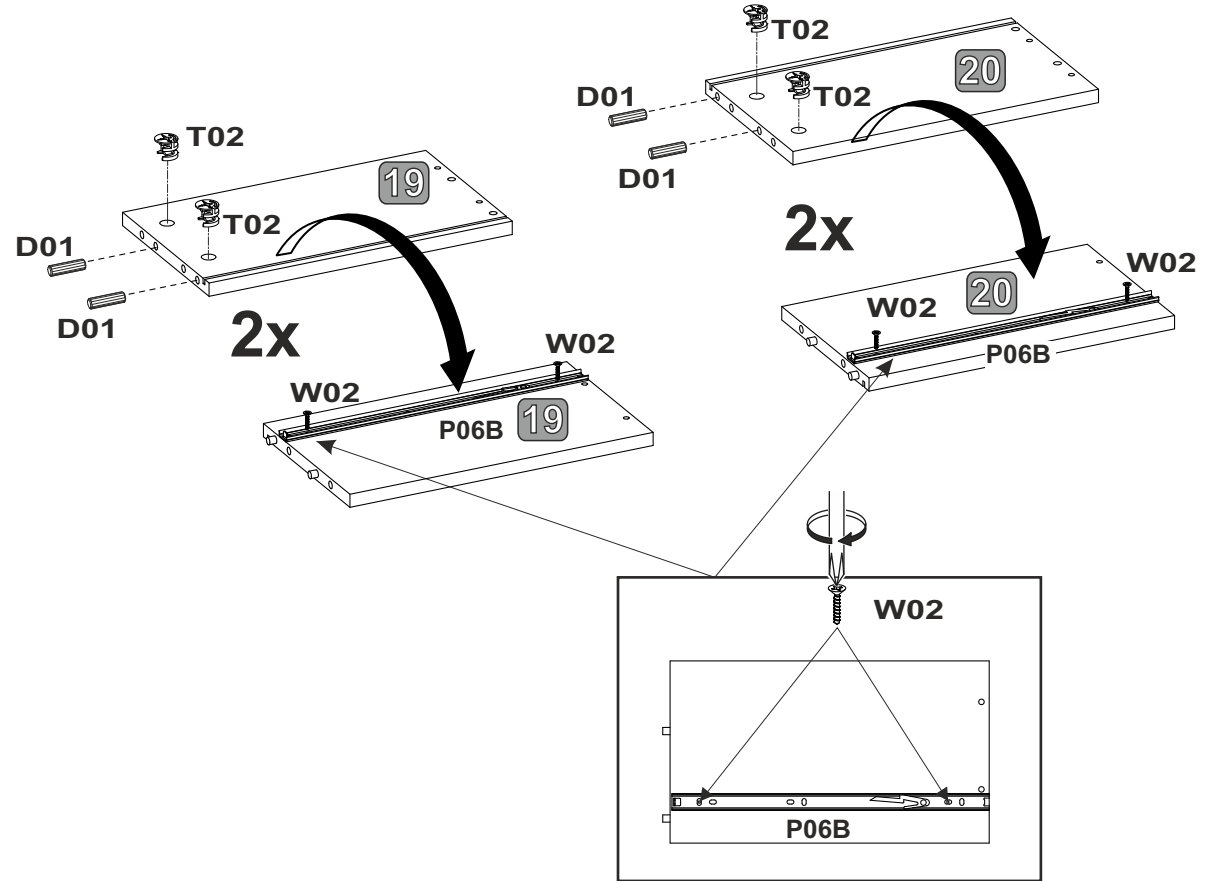
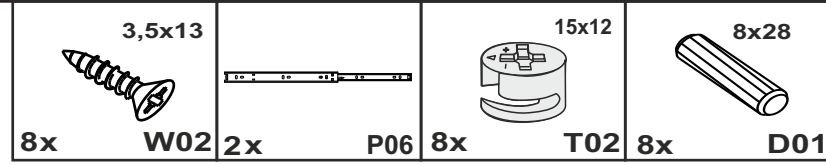
a=b



5

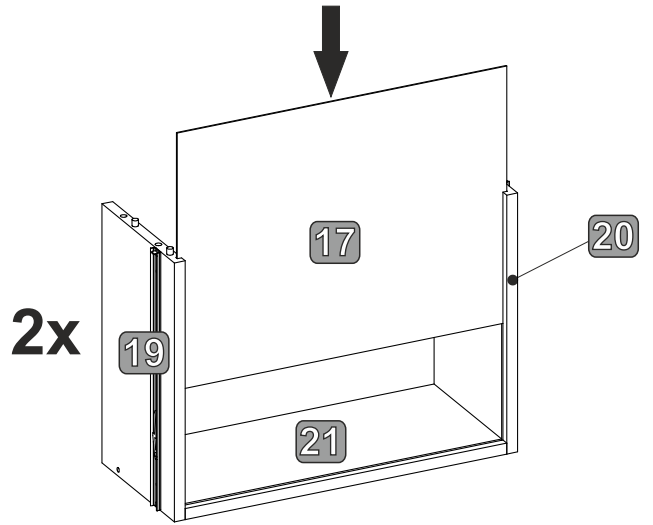
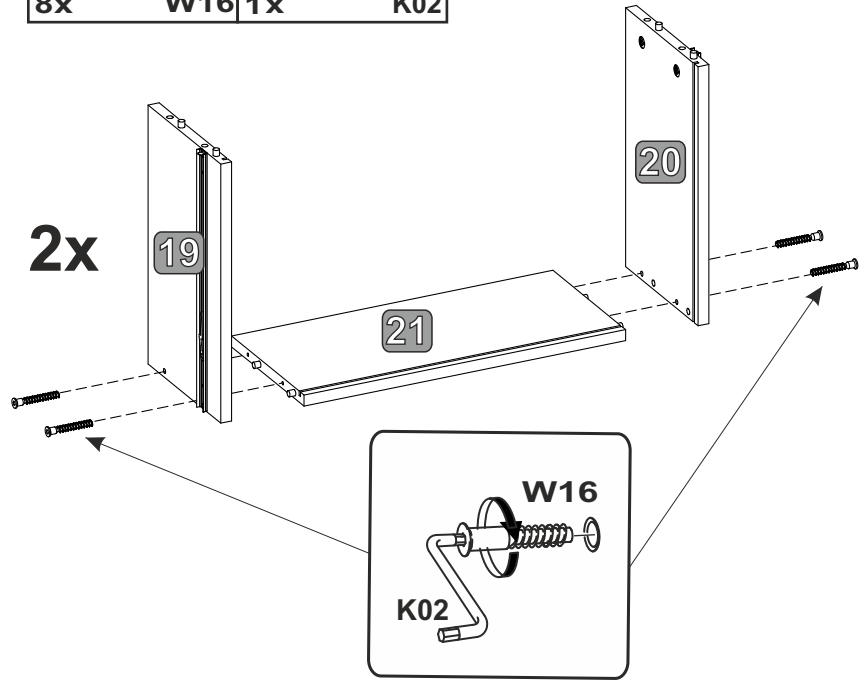


6



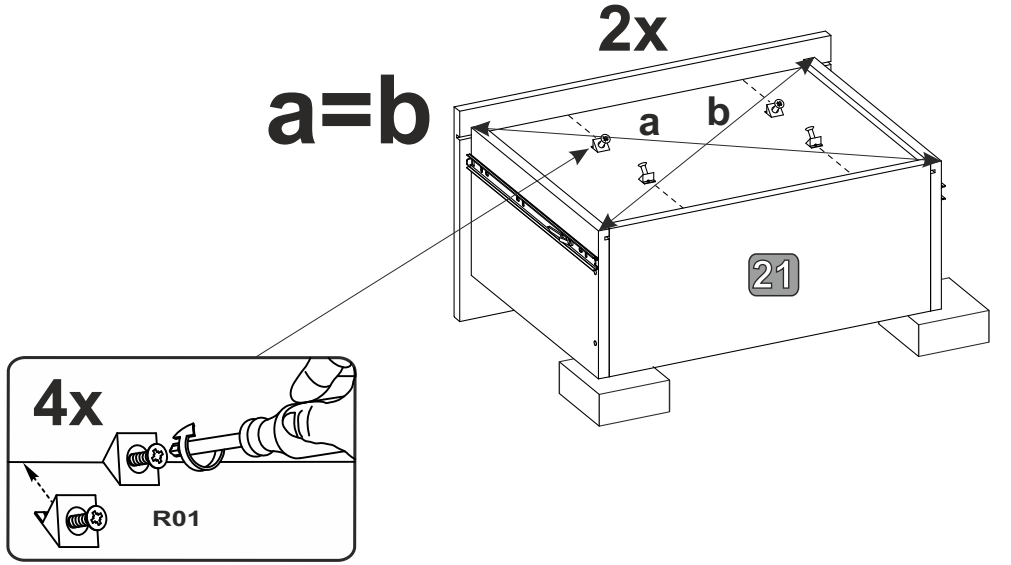
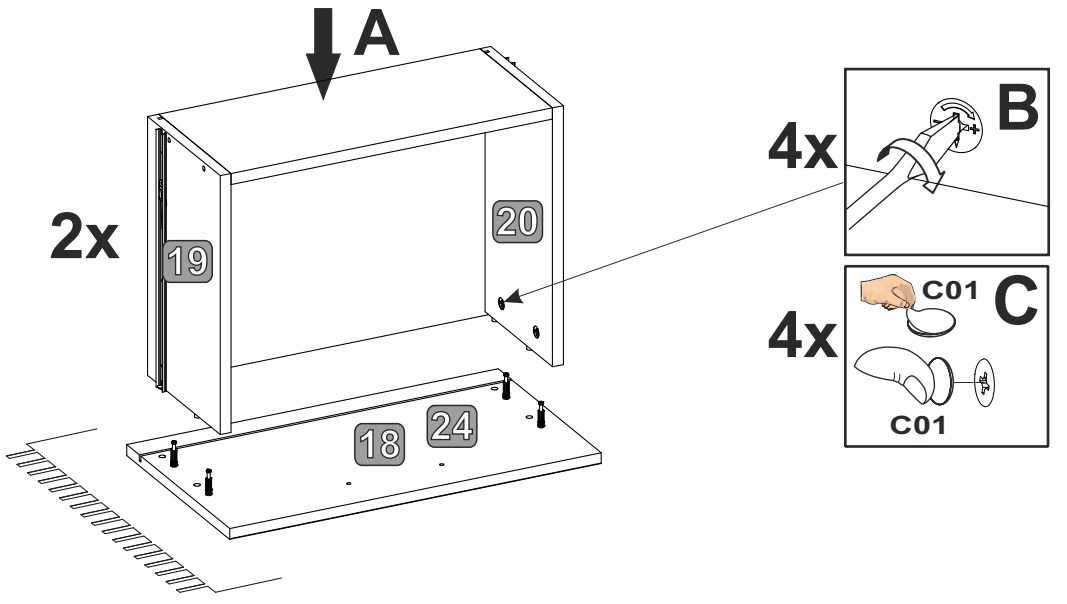
7

- 5x40  
8x W16
- 1x K02


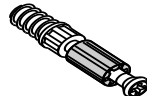
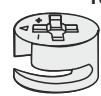


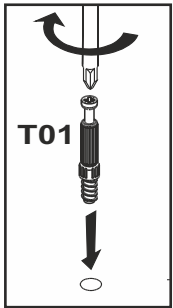
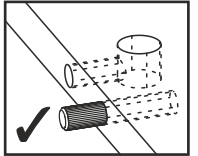
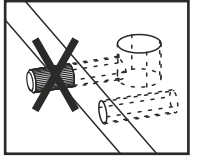
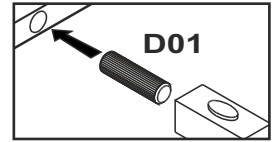
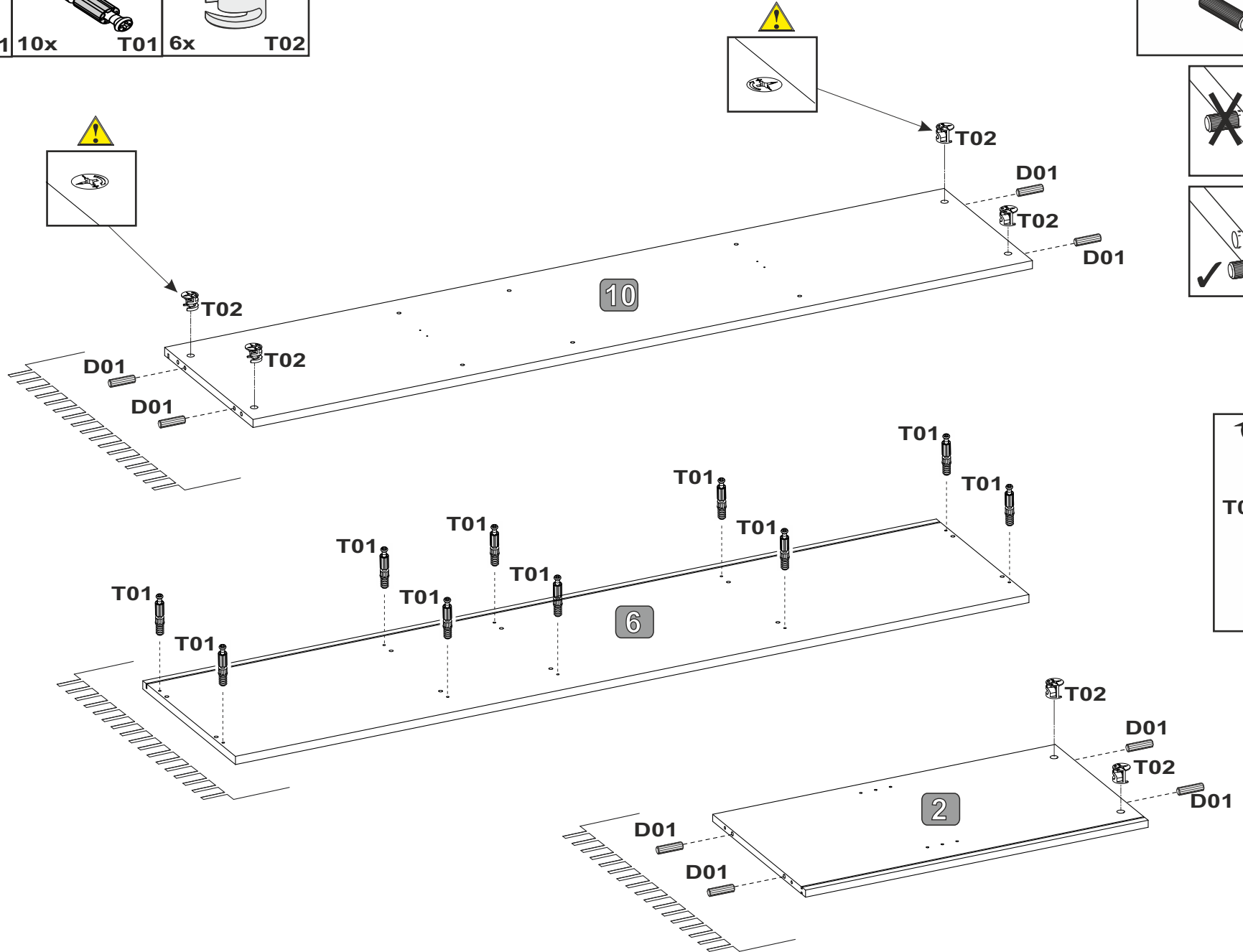
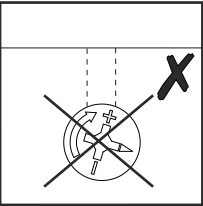
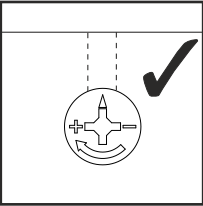
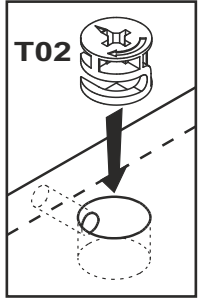
8

- 8x R01
- Ø20  
8x C01



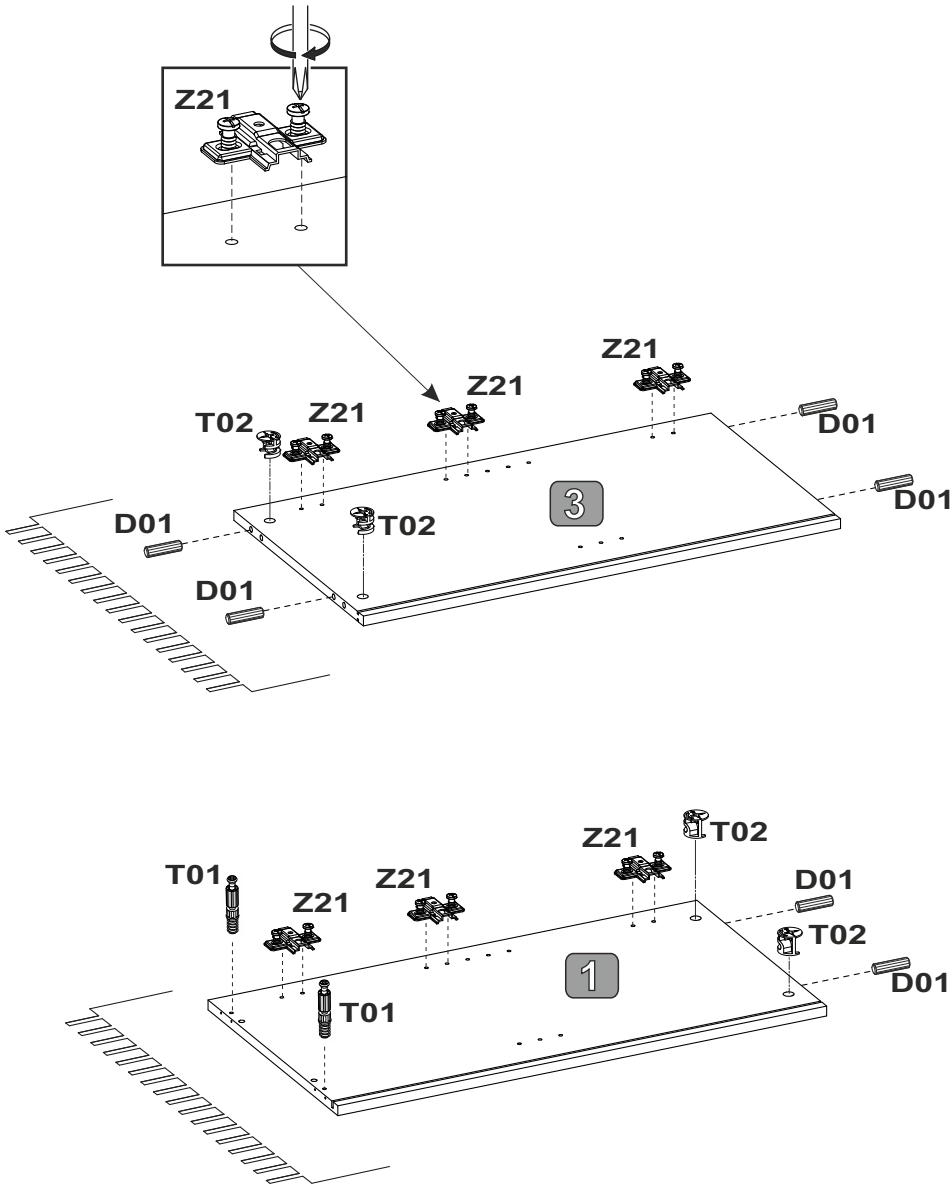
9

 8x28 8x D01	 10x 10x T01	 15x12 6x T02
--	--	---



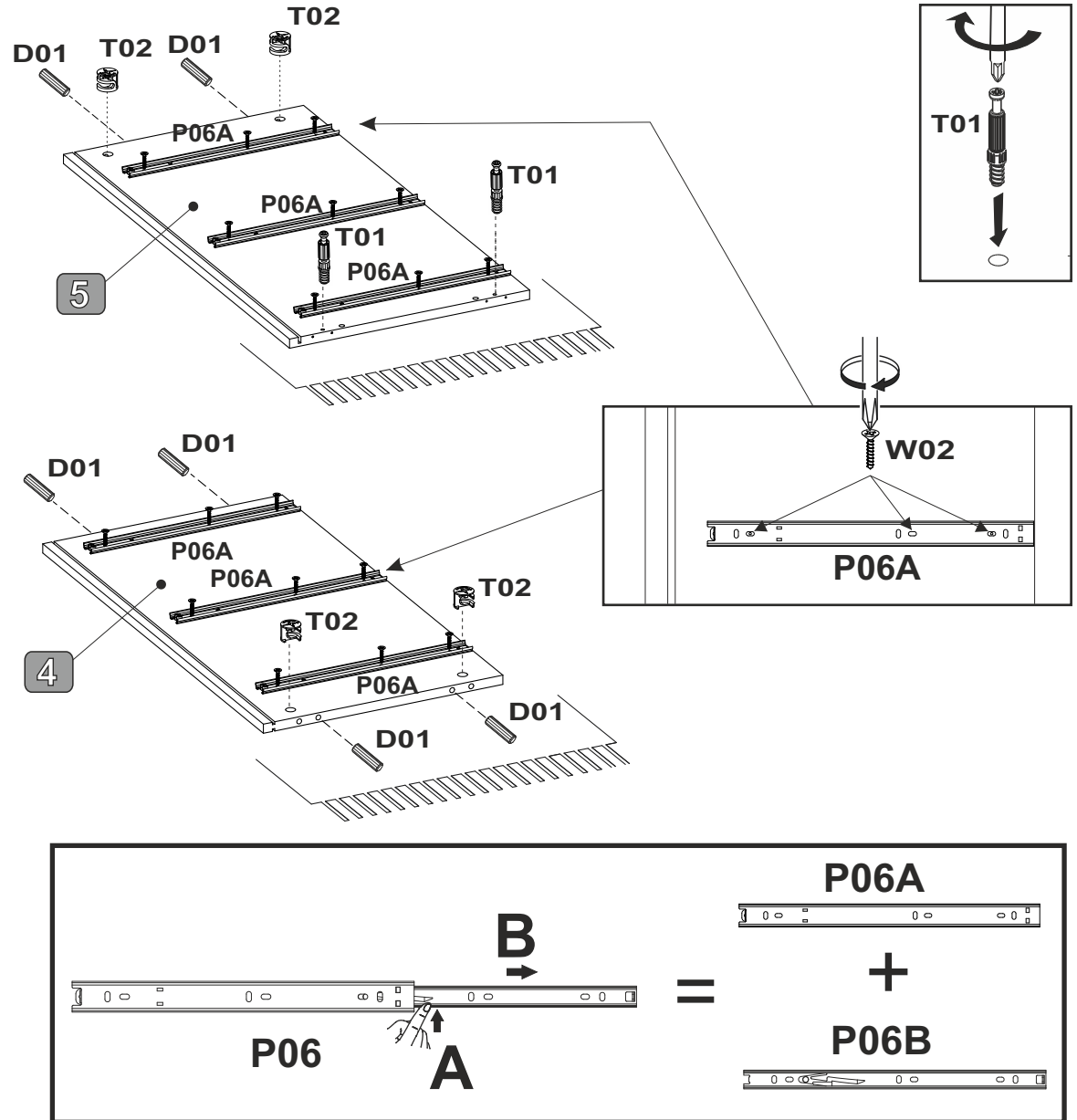
10

6x	8x28 D01	4x	15x12 T02	6x	Z21	2x	T01
----	-------------	----	--------------	----	-----	----	-----



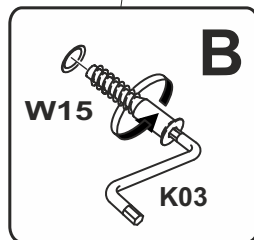
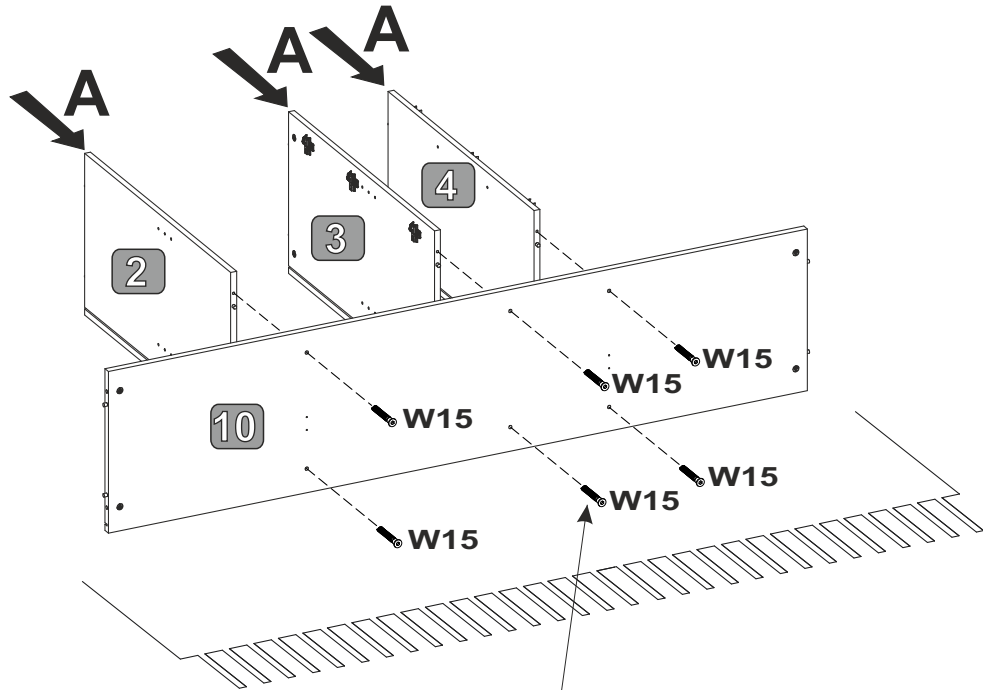
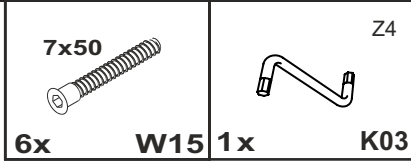
11

6x	8x28 D01	2x	T01	4x	15x12 T02	18x	3,5x13 W02	6x	P06
----	-------------	----	-----	----	--------------	-----	---------------	----	-----

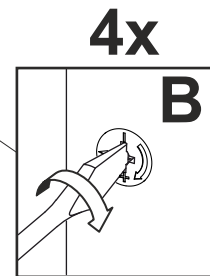
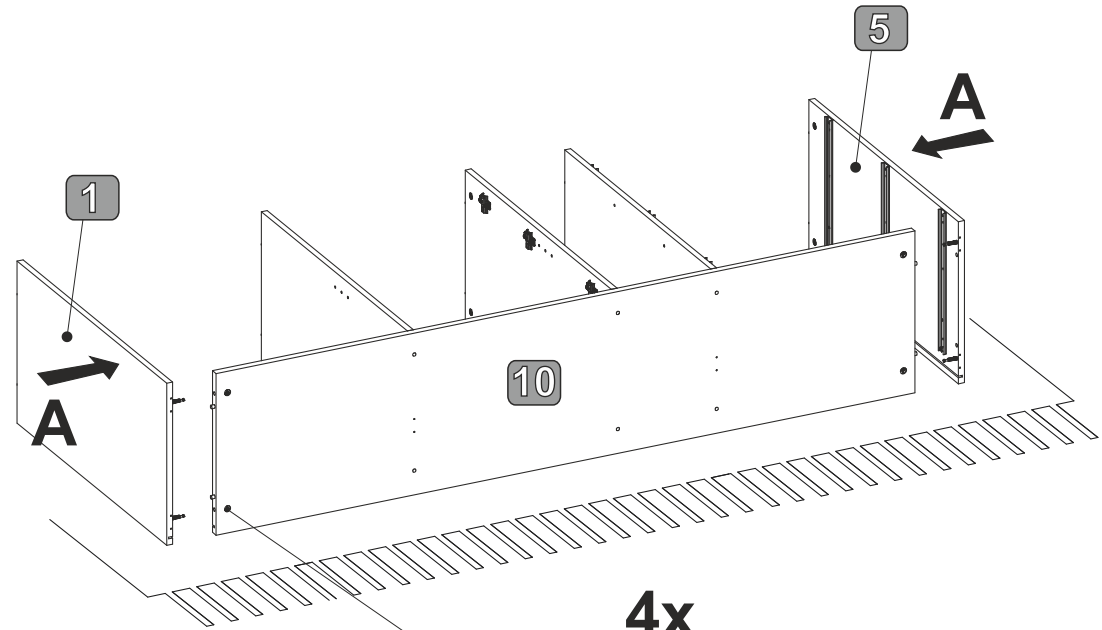




12

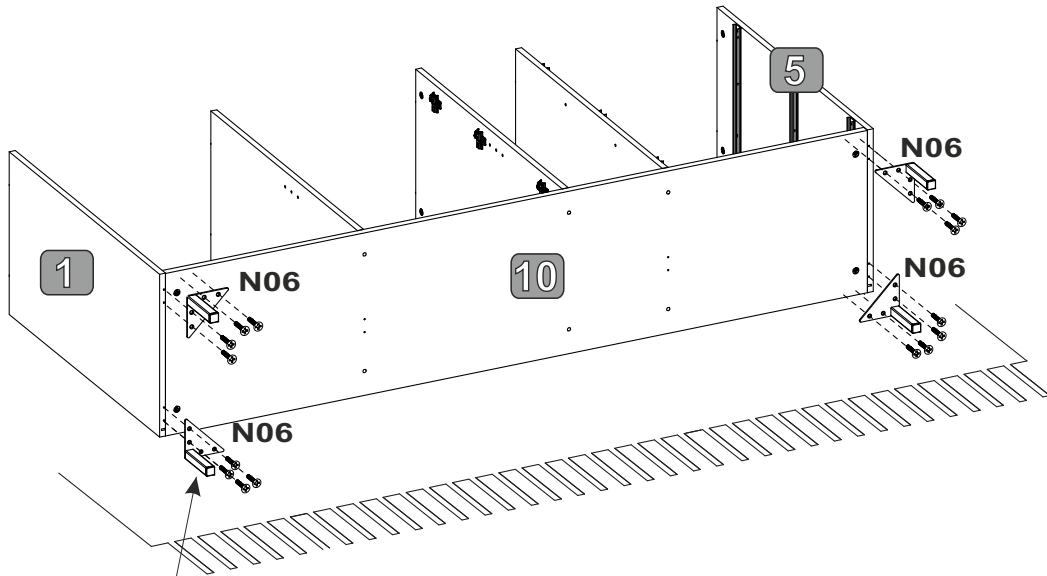


13



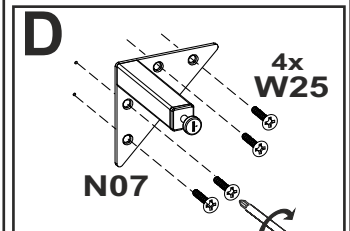
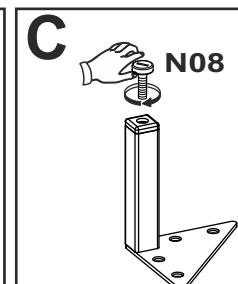
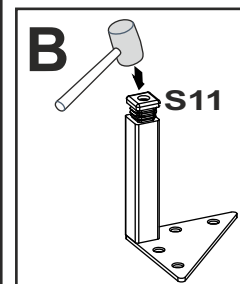
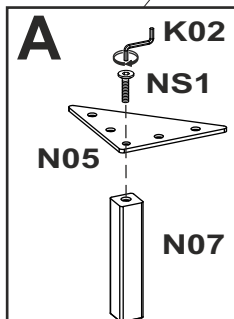
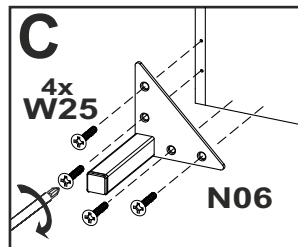
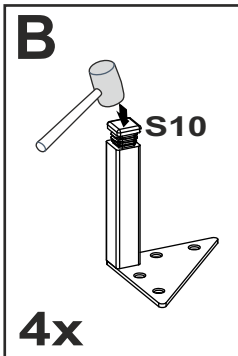
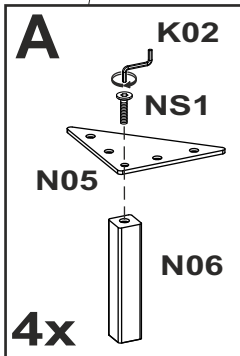
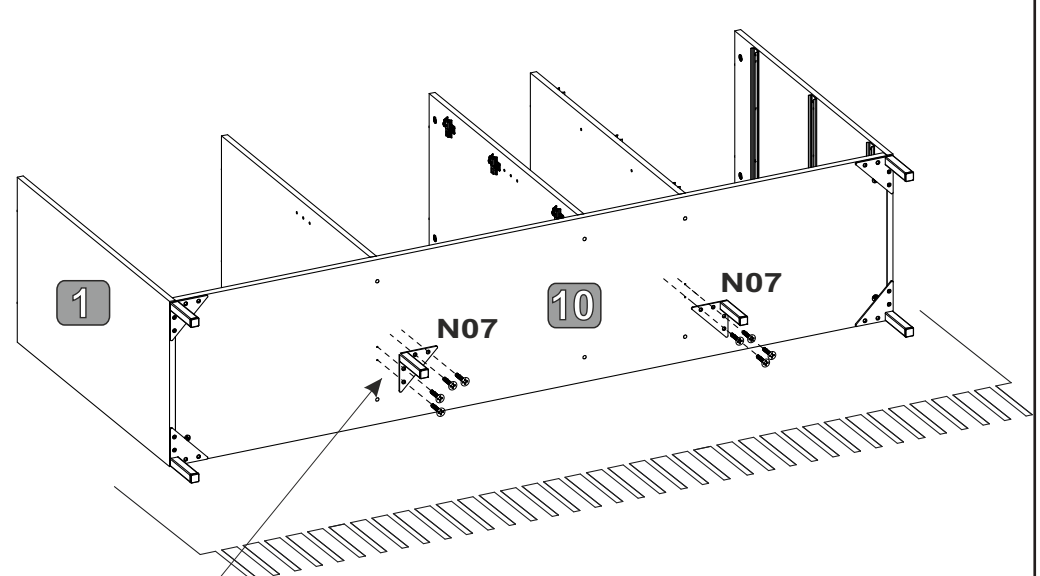
14

4x N06	4x S10	M5-20 4x NS1	4x N05
1x K02	16x W25	Z3	4x16

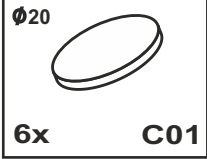


15

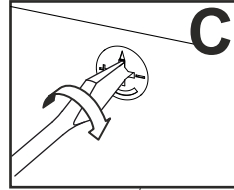
2x N07	2x S11	M5-20 2x NS1	2x N05
1x K02	2x N08	Z3	8x W25



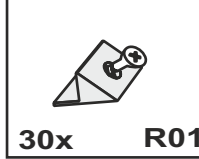
16



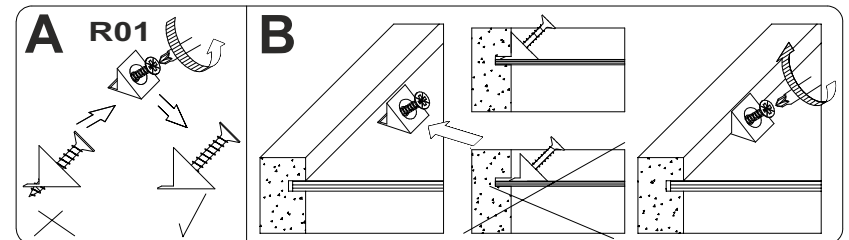
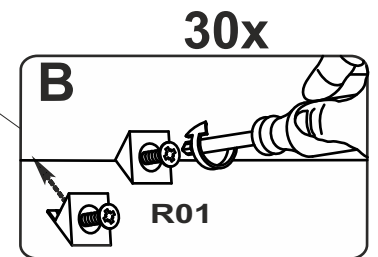
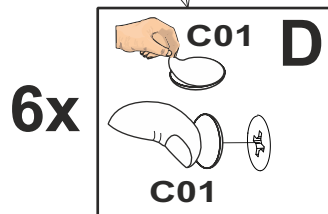
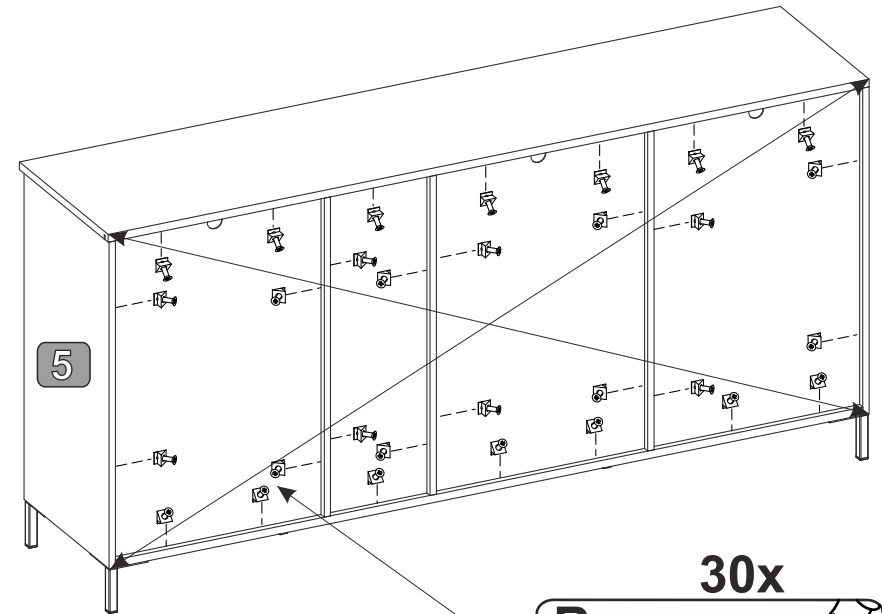
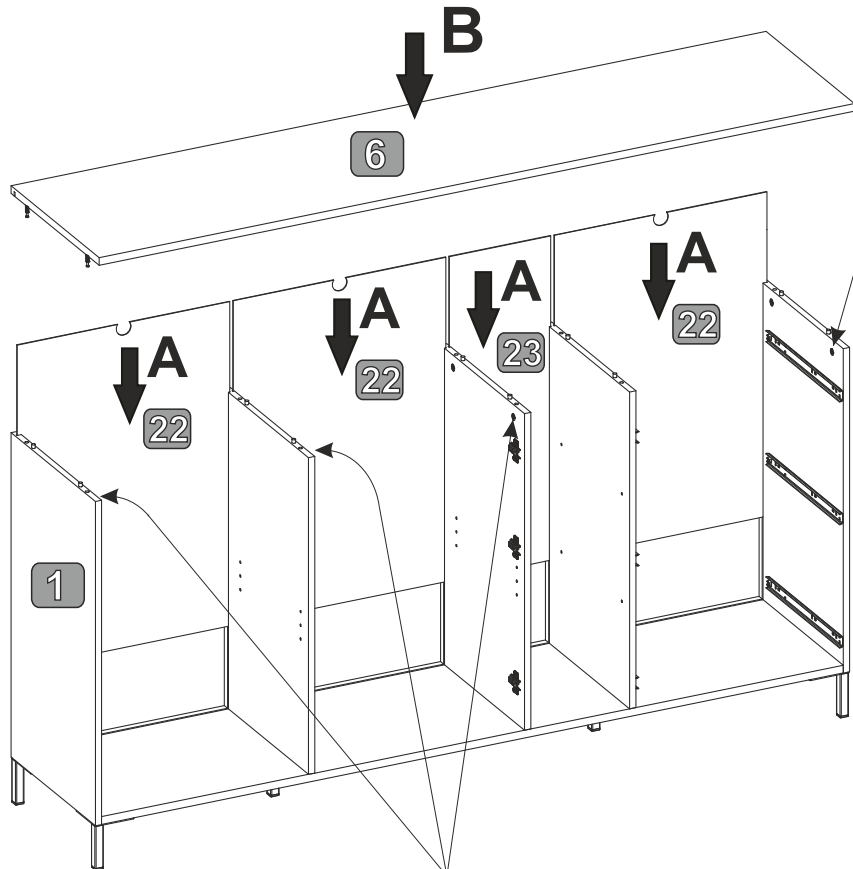
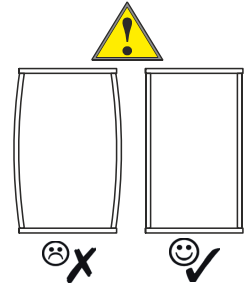
10x




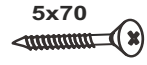



17

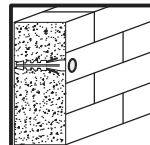
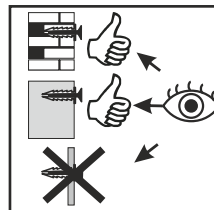
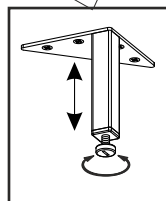
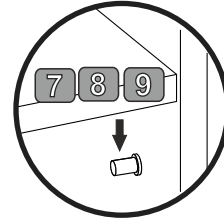
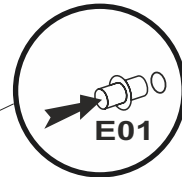
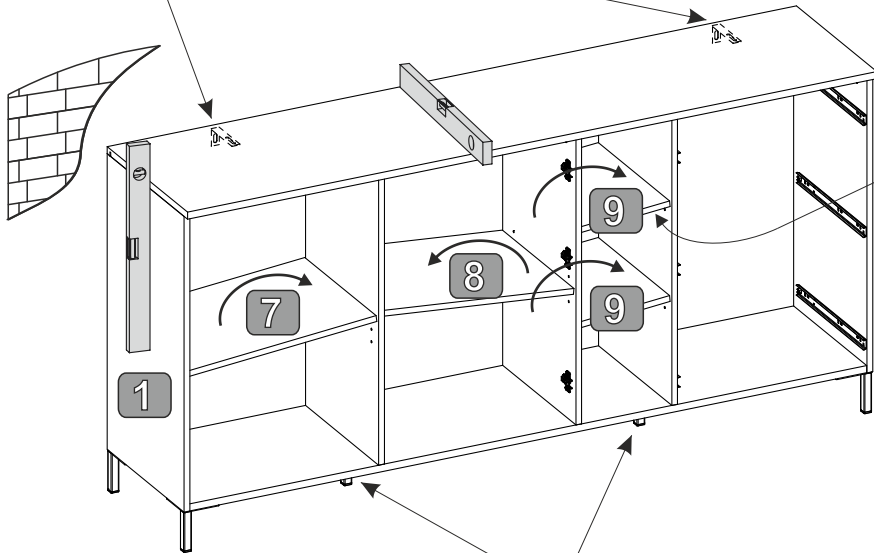
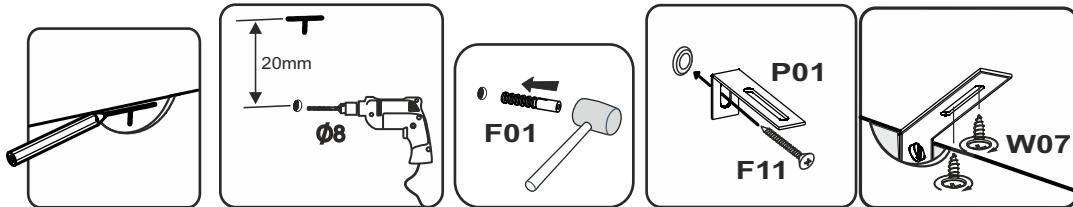
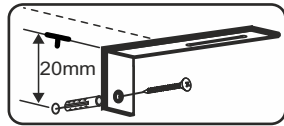


a=b

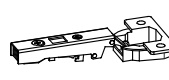




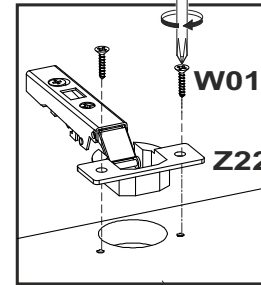
# 18

				
16x E01	2x F11	2x F01	2x P01	4x W07

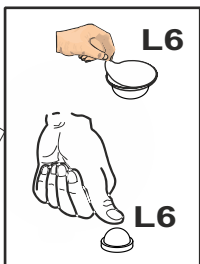
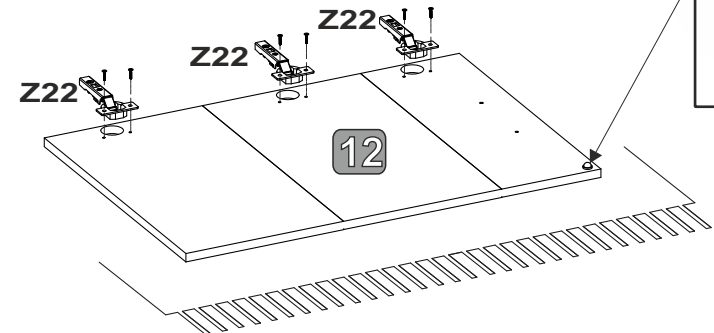
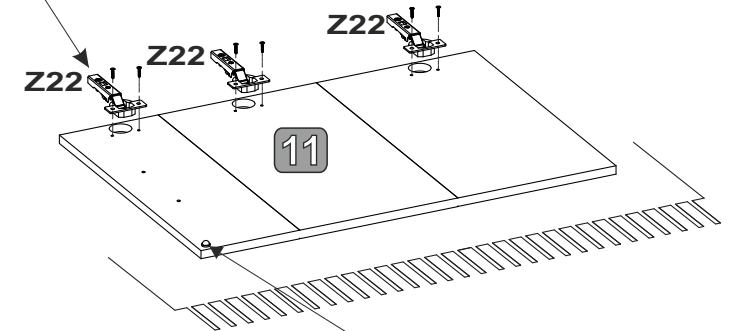


# 19

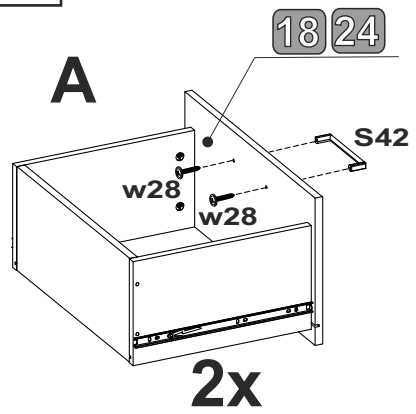
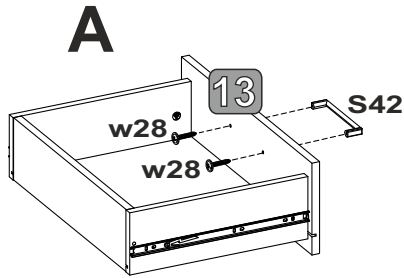
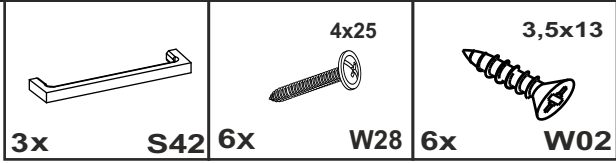
		
6x Z22	12x W01	2x L6



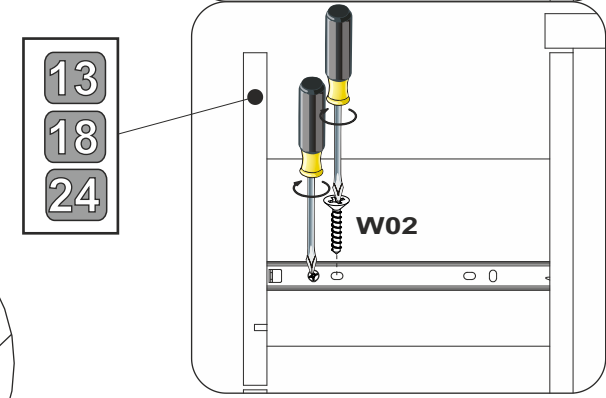
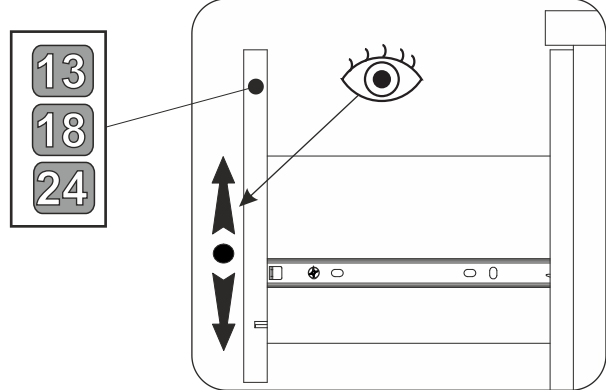
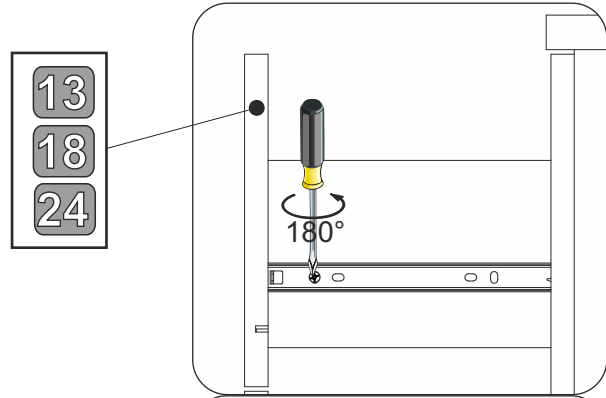
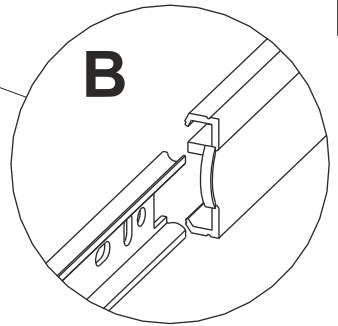
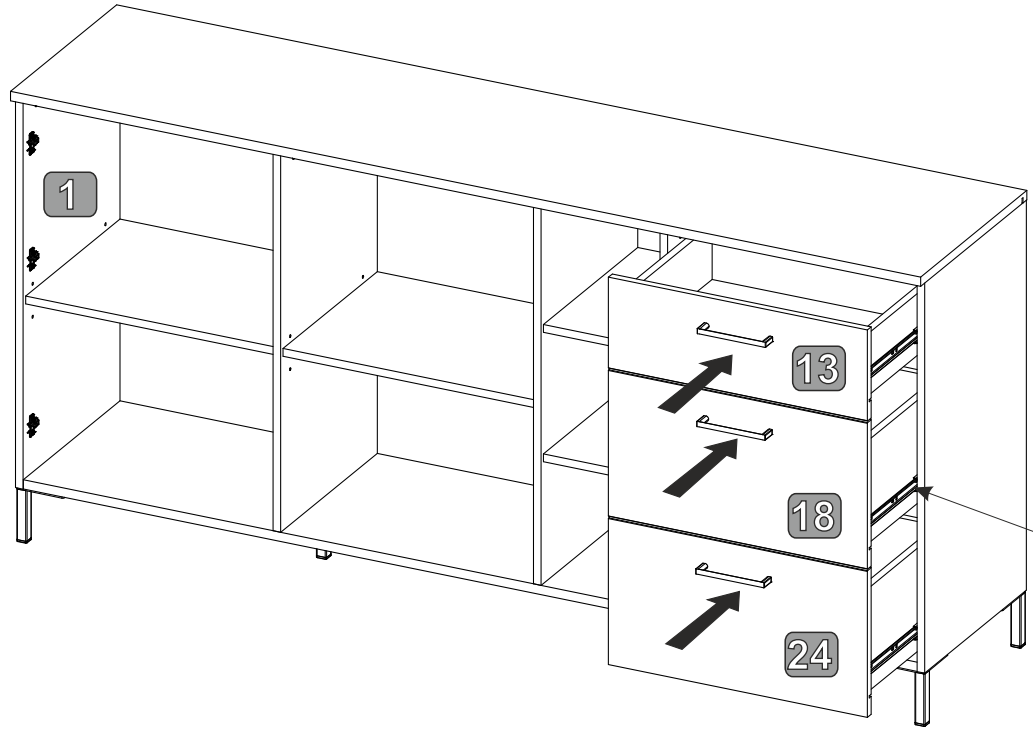
x6



20



2x



21

