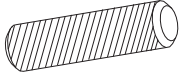
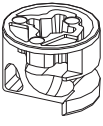


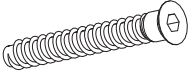
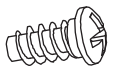
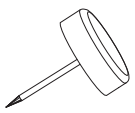
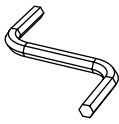

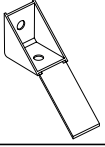
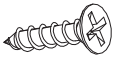

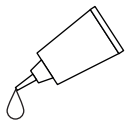
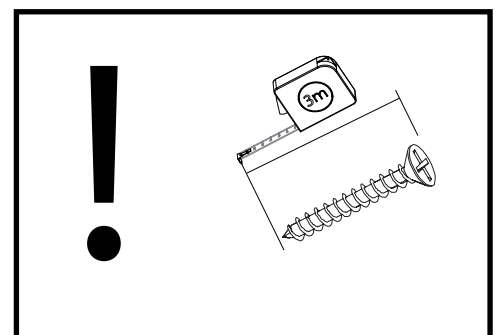
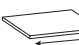









MODERN 16 N

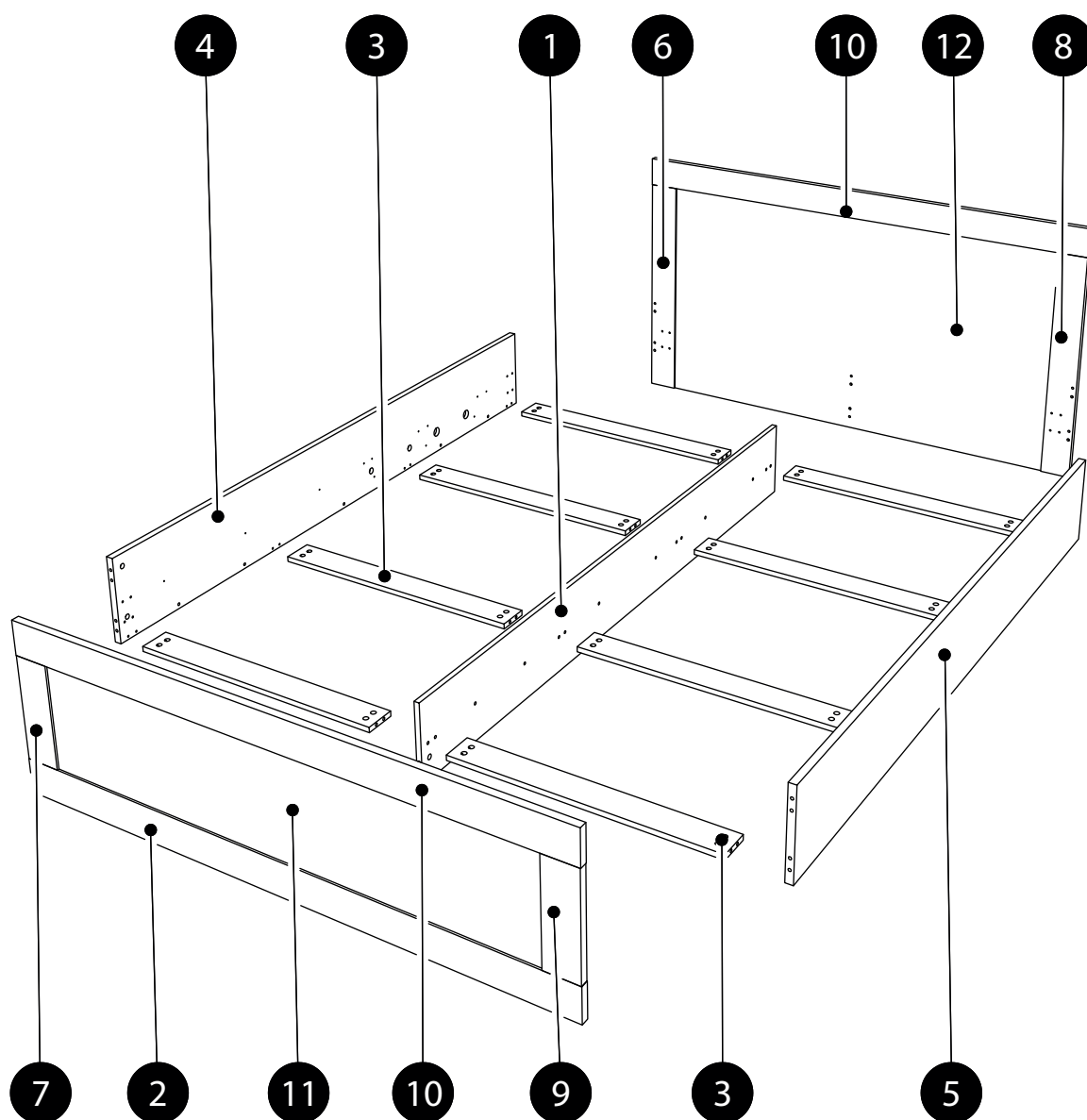
<p>K1 x 11 8x32</p> 	<p>B2 x 37 h-12</p> 	<p>Z1 x 21 L-43</p> 
<p>ZD2 x 8 L-76</p> 	<p>KT1 x 6 6,3x50</p> 	<p>WE2 x 32 6,3x13B</p> 
<p>SG1 x 8</p> 	<p>x 1</p> 	<p>WL1 x 4 7x7x10</p> 
<p>PO4 x 1</p> 	<p>WT1 x 2 3,5x15</p> 	<p>ZS2 x 16 Ø20</p> 
<p>KL x 1</p> 		



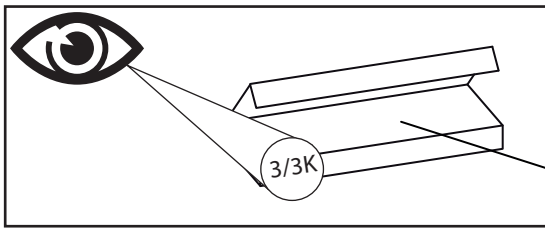
MODERN 16 N

	CODE				
1	Modern16N_03	2016	244	1	2/3K
2	Modern16_12	1659	100	1	1/3K
3	Modern16_04	797	92	8	1/3K
4	Modern16N_08	2010	270	1	2/3K
5	Modern16N_09	2010	270	1	2/3K
6	Modern16_05	800	100	1	1/3K
7	Modern16_07	300	100	1	1/3K
8	Modern16_10	800	100	1	1/3K
9	Modern16_11	300	100	1	1/3K
10	Modern16_06	1659	100	2	1/3K
11	Modern16_02	1457	300	1	1/3K

	CODE				
12	Modern16_01	1457	800	1	1/3K



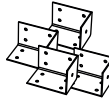
1.



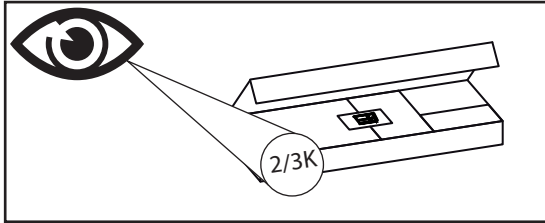
x1



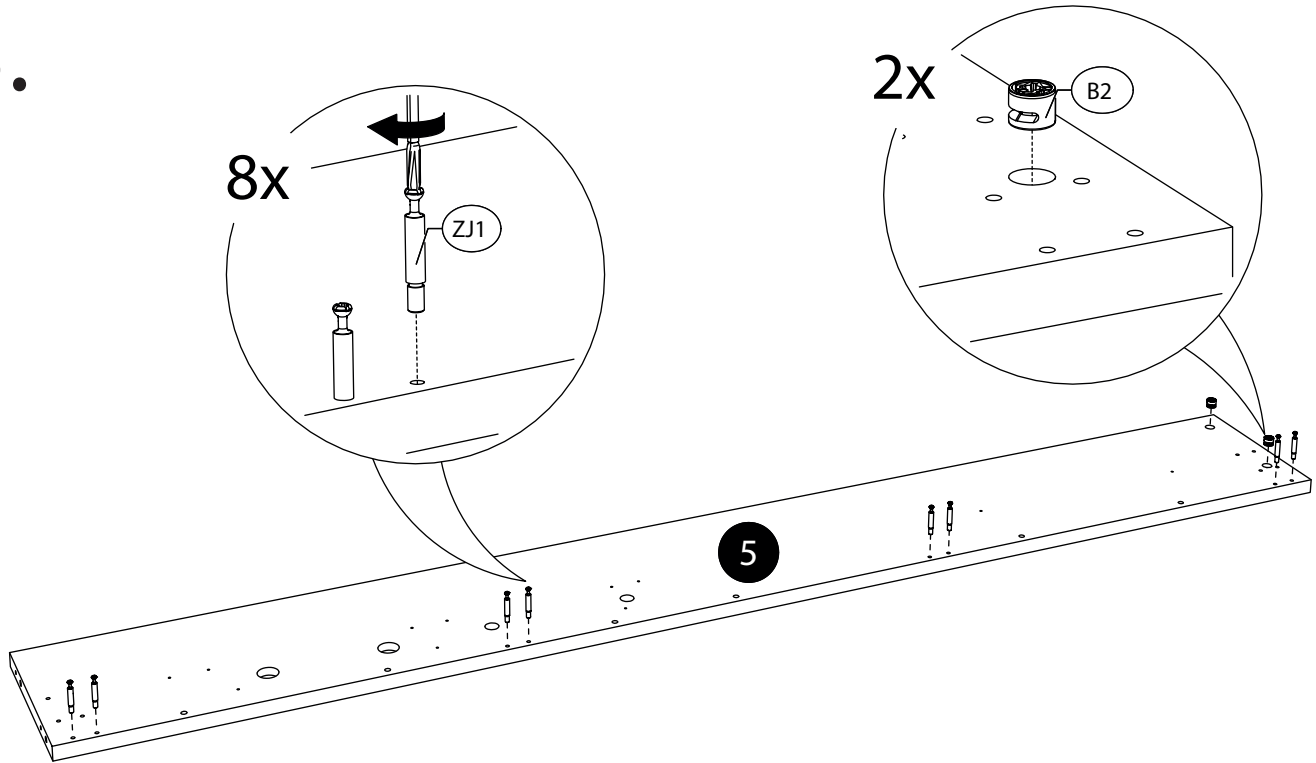
+4x



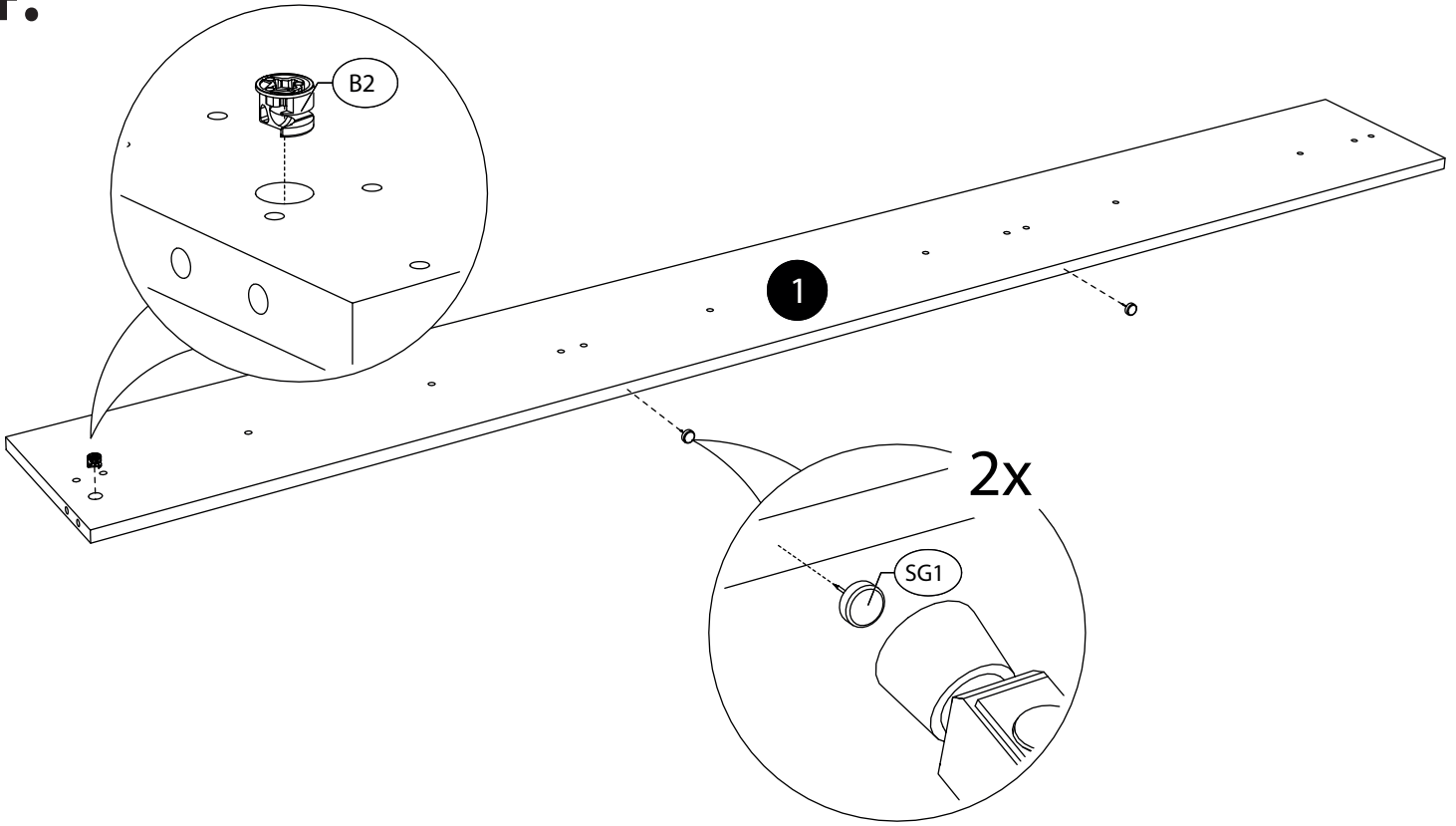
2.



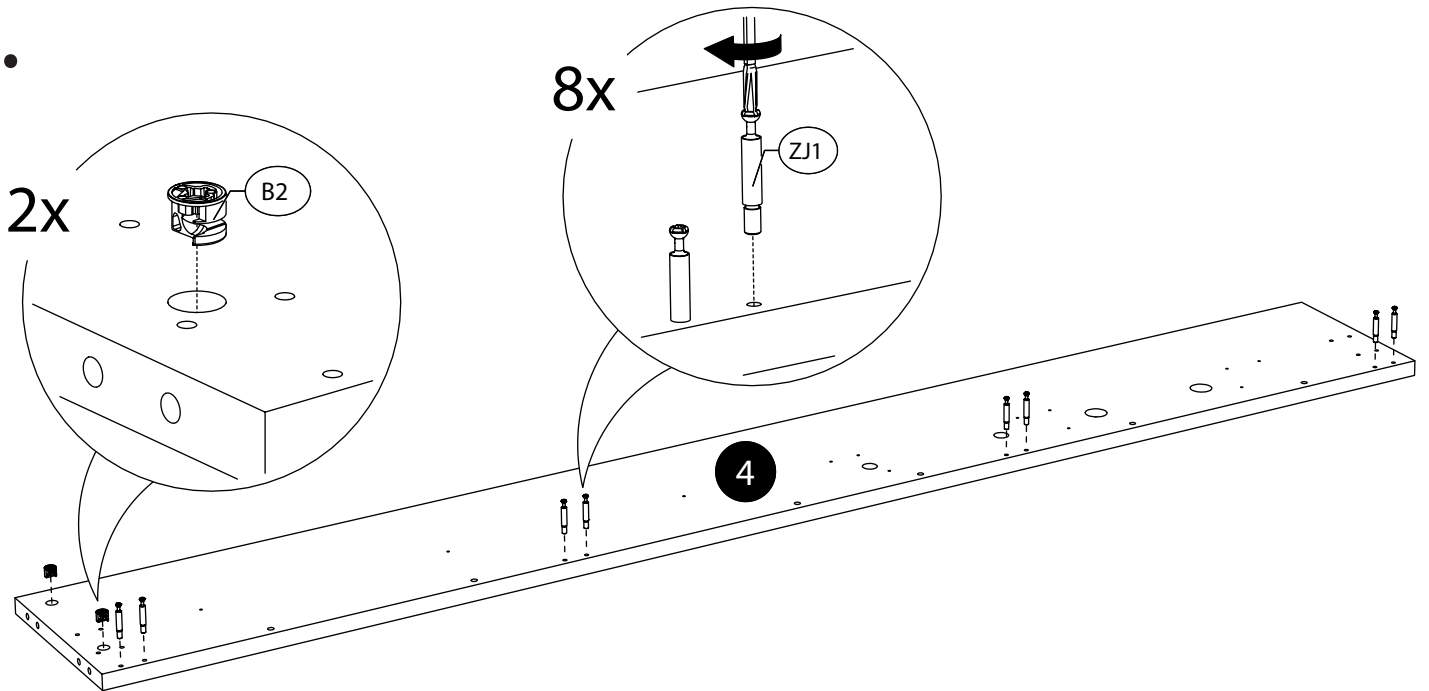
3.

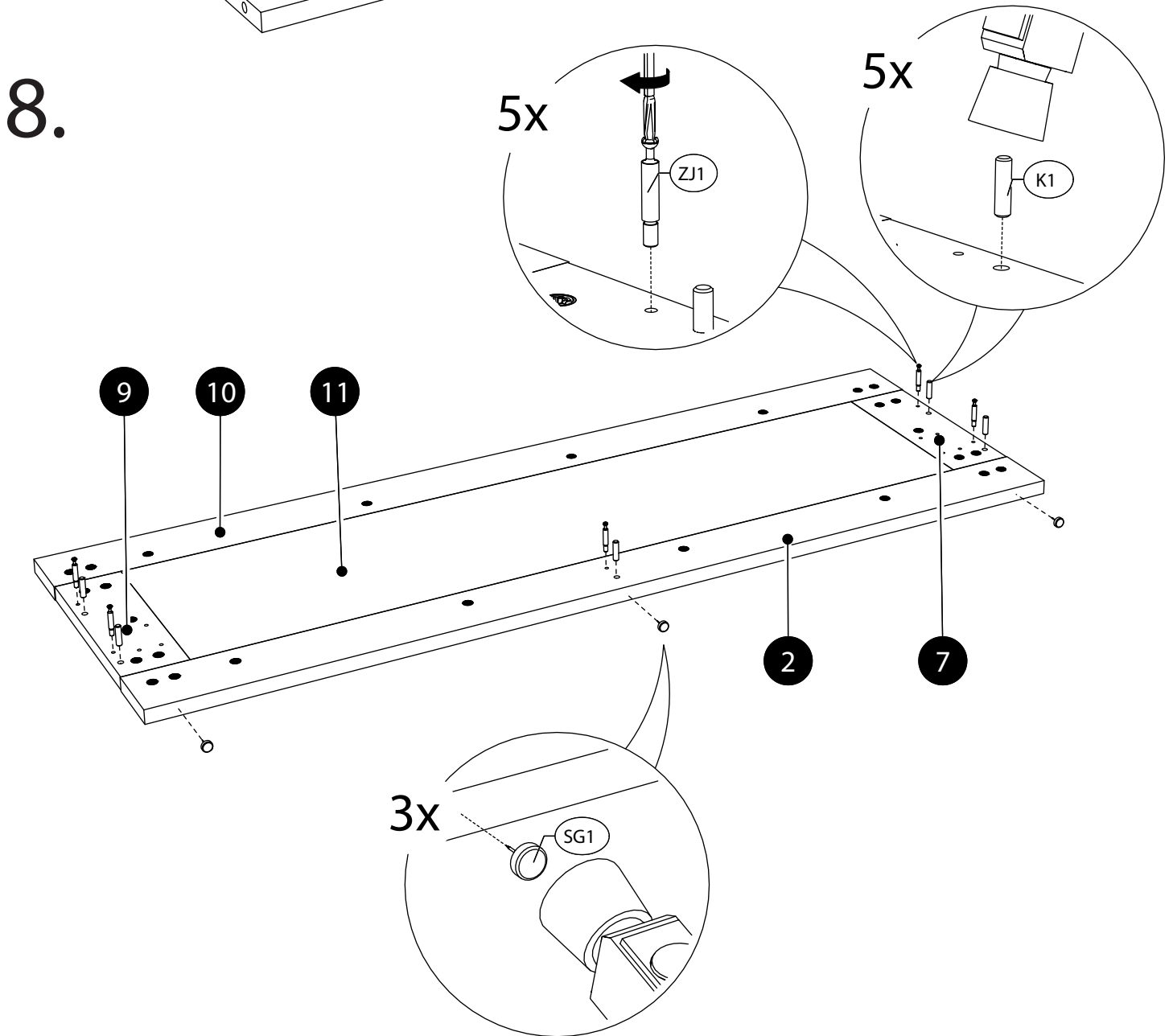
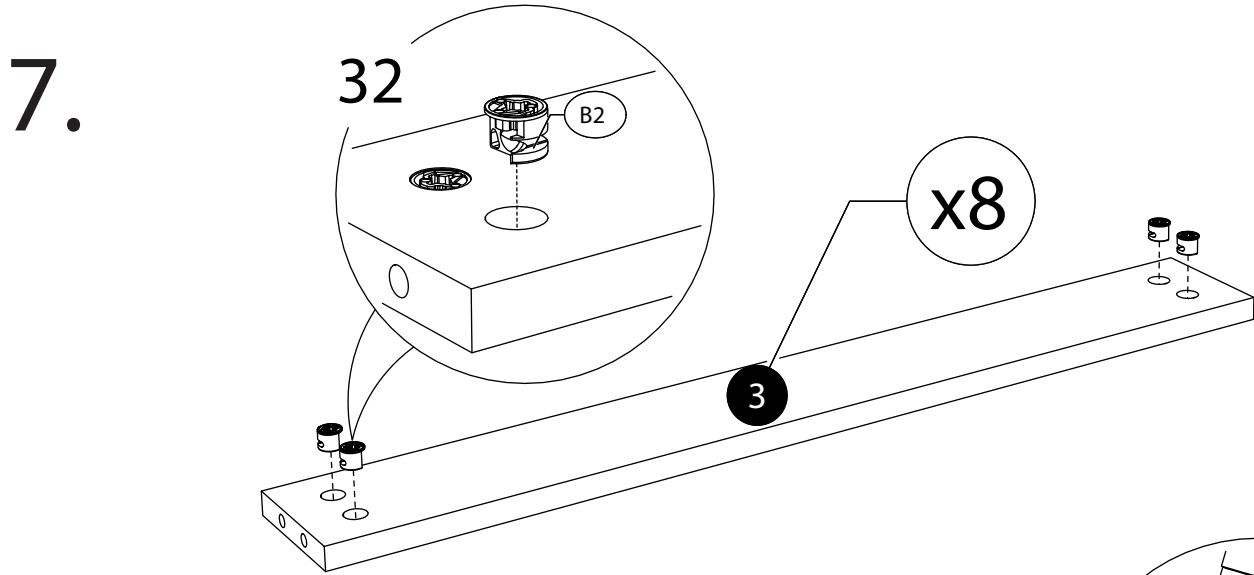
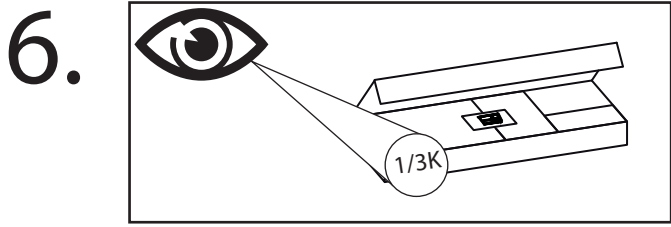


4.

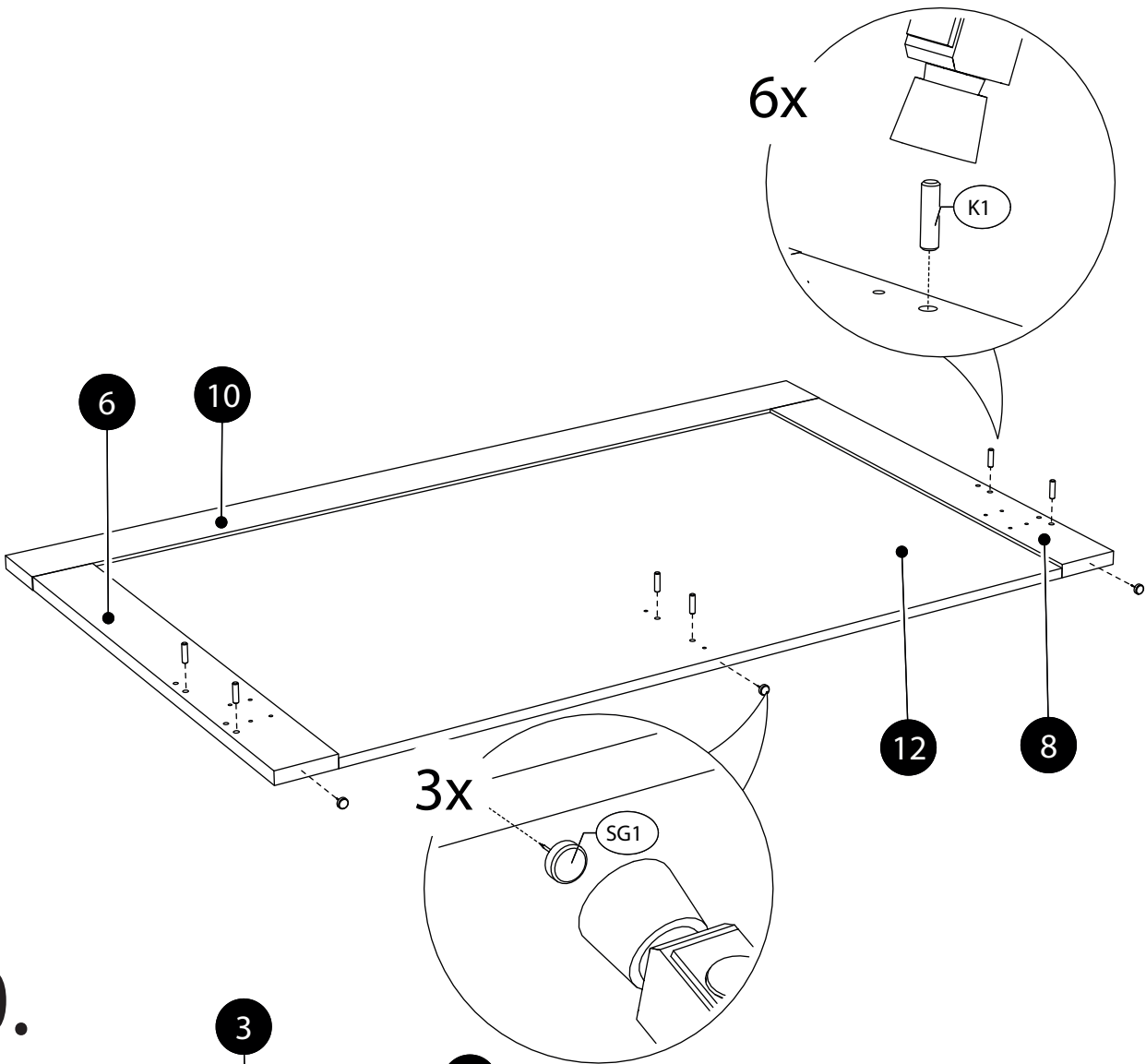


5.

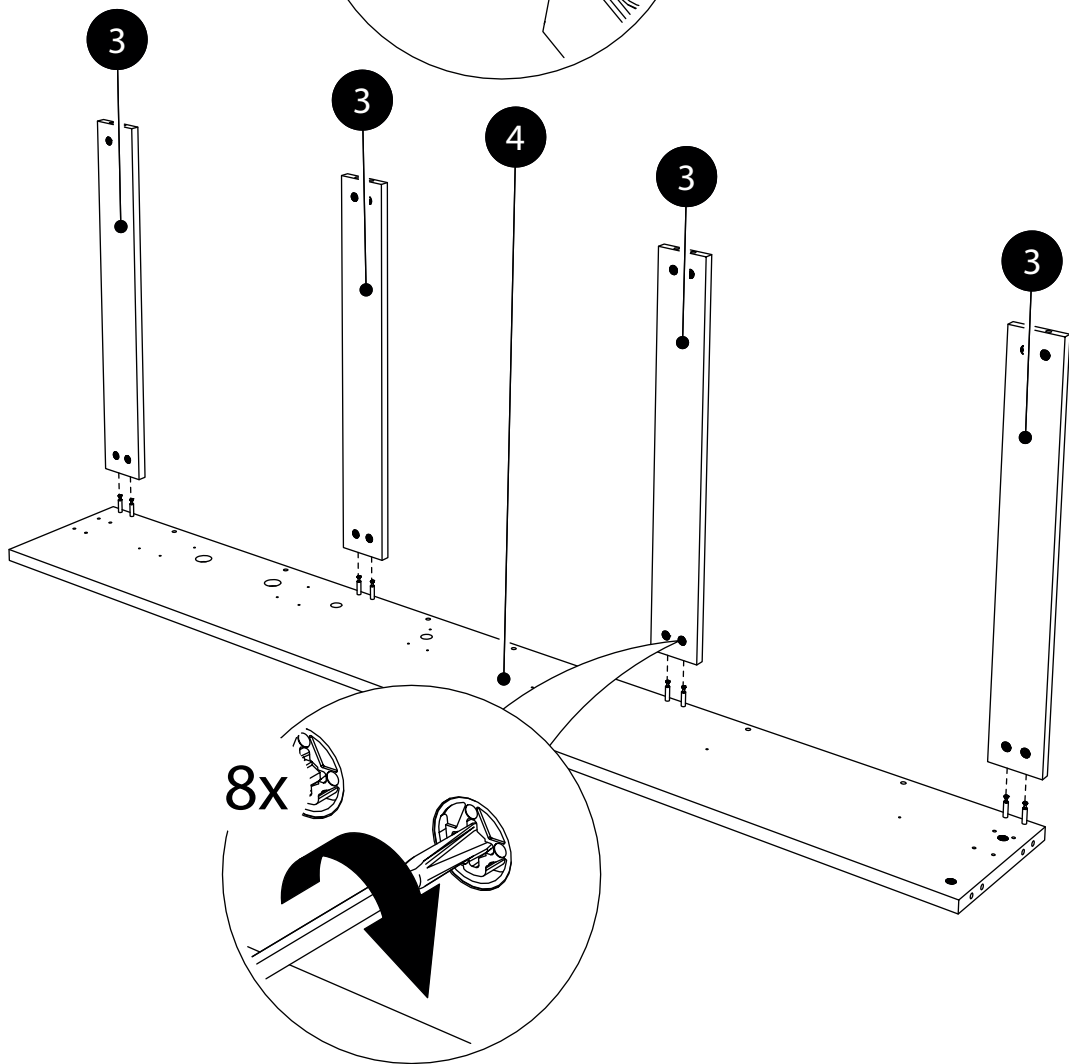




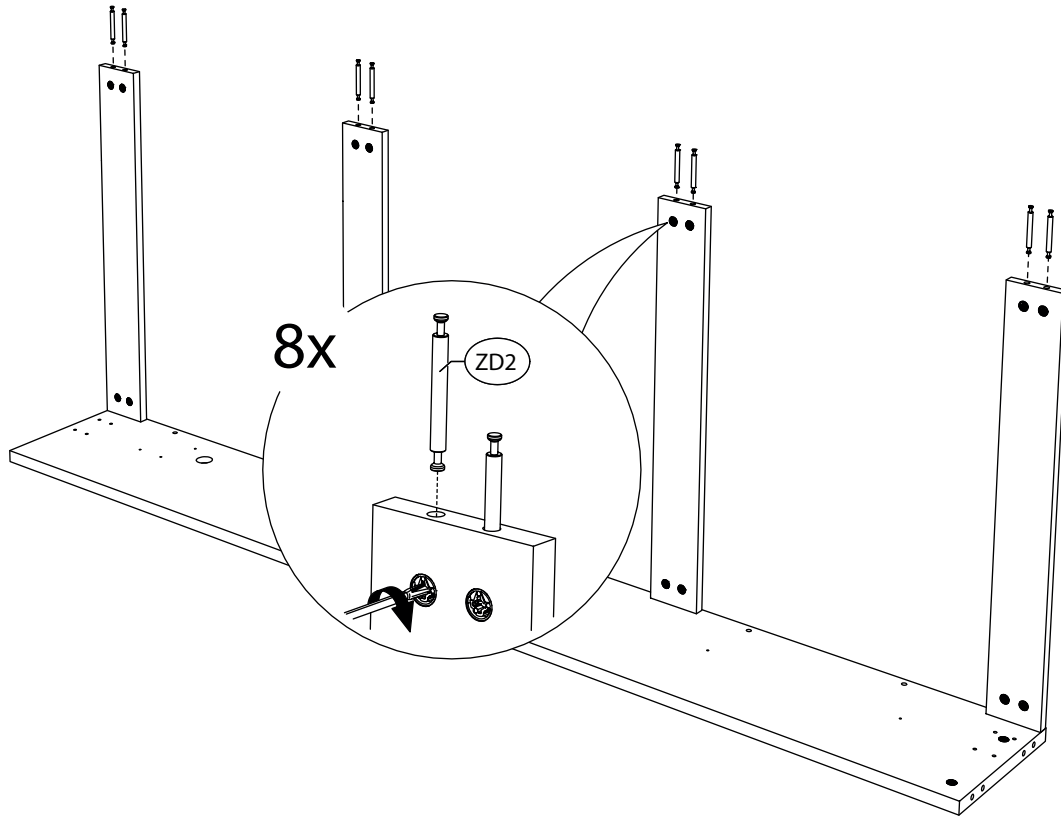
9.



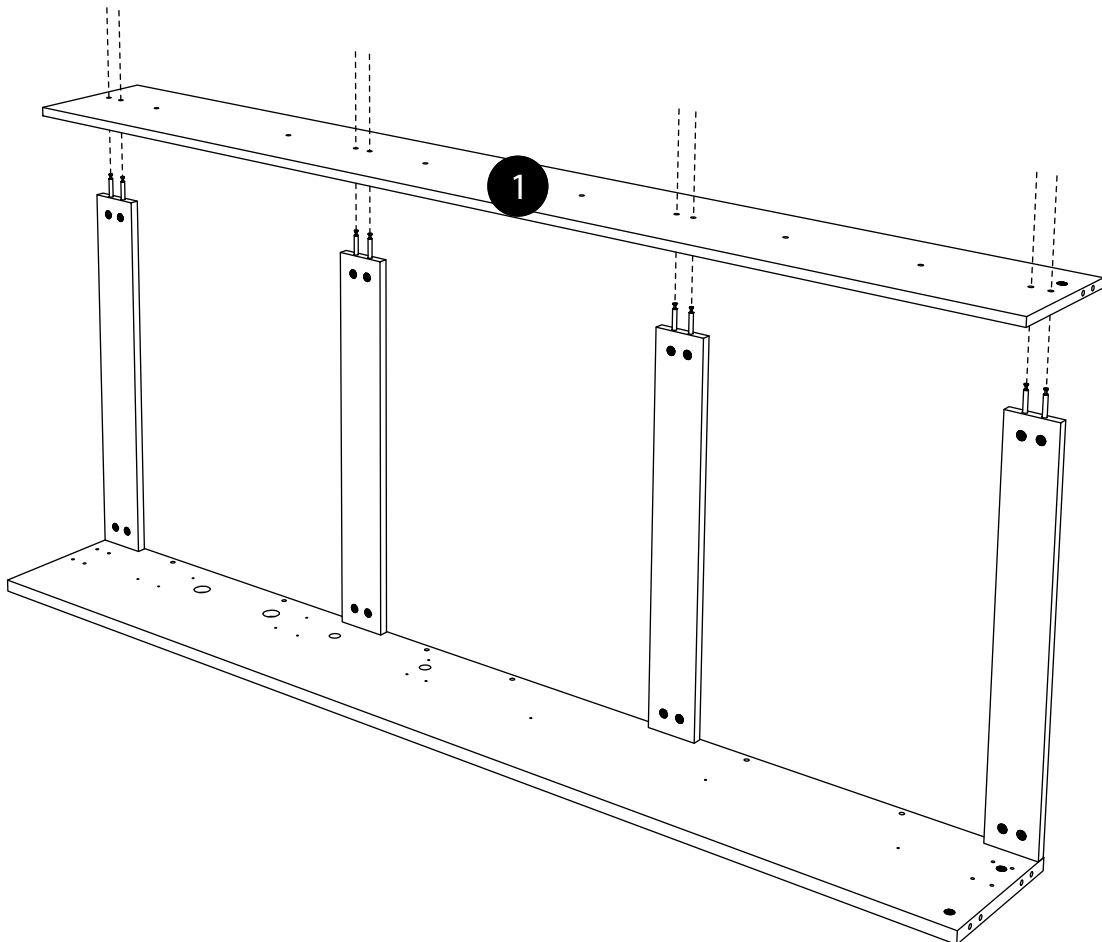
10.



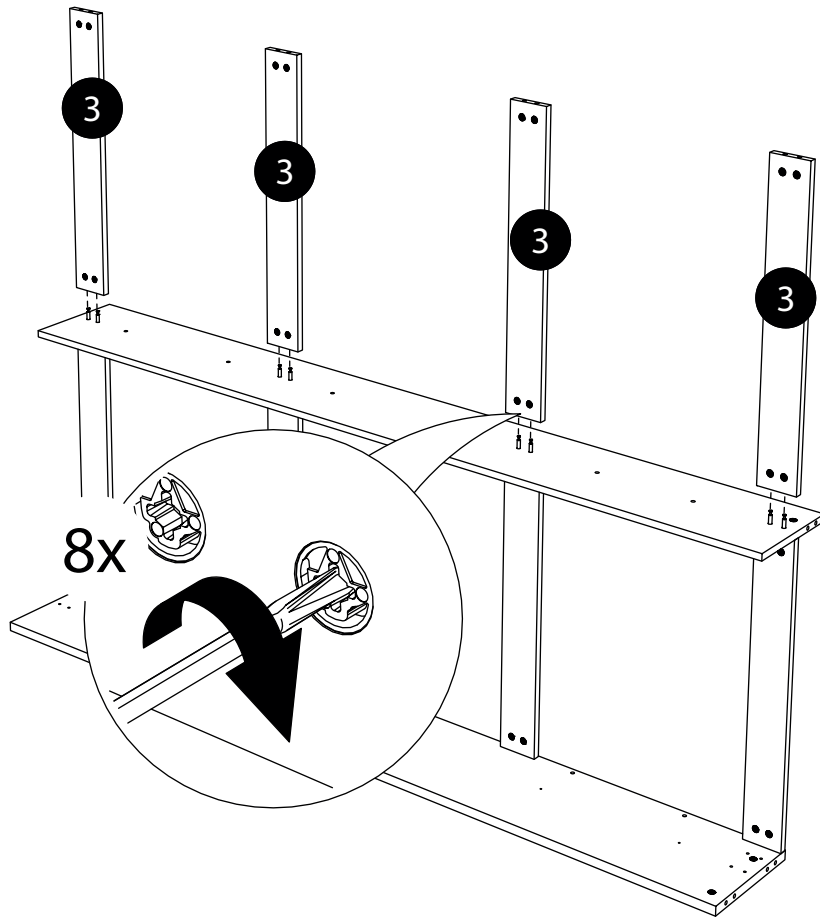
11.



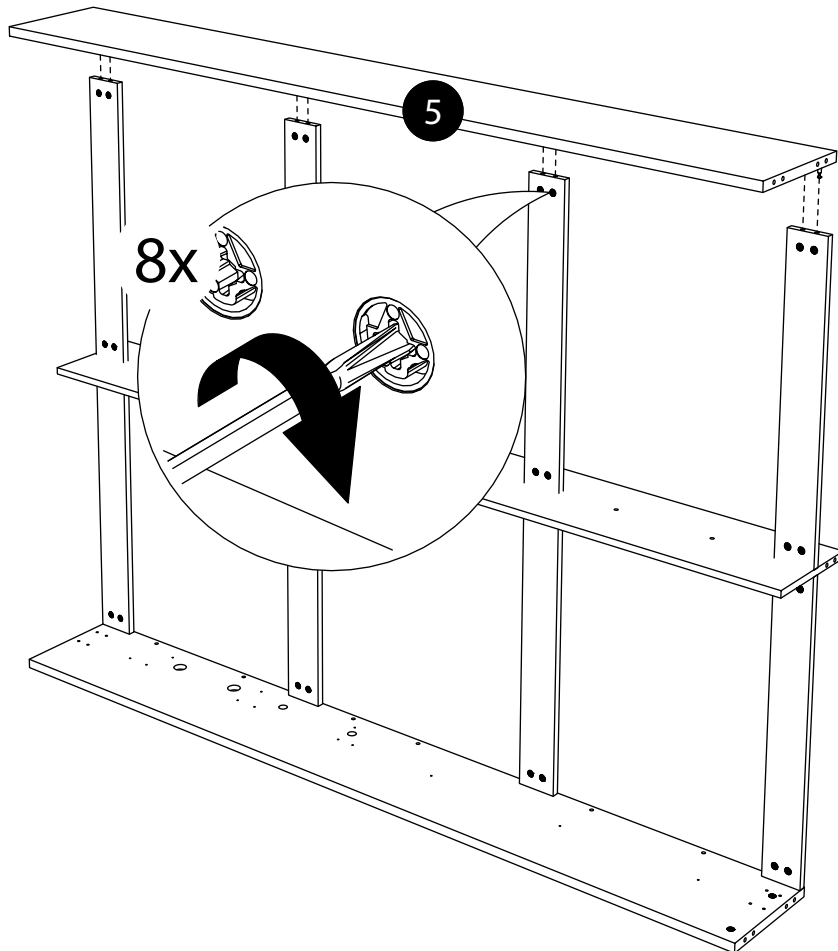
12.



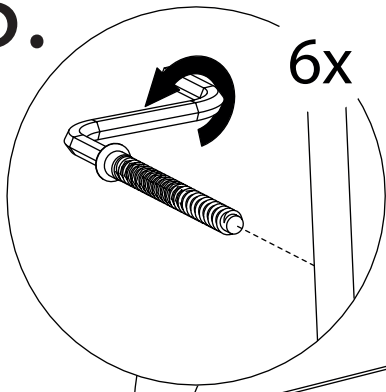
13.



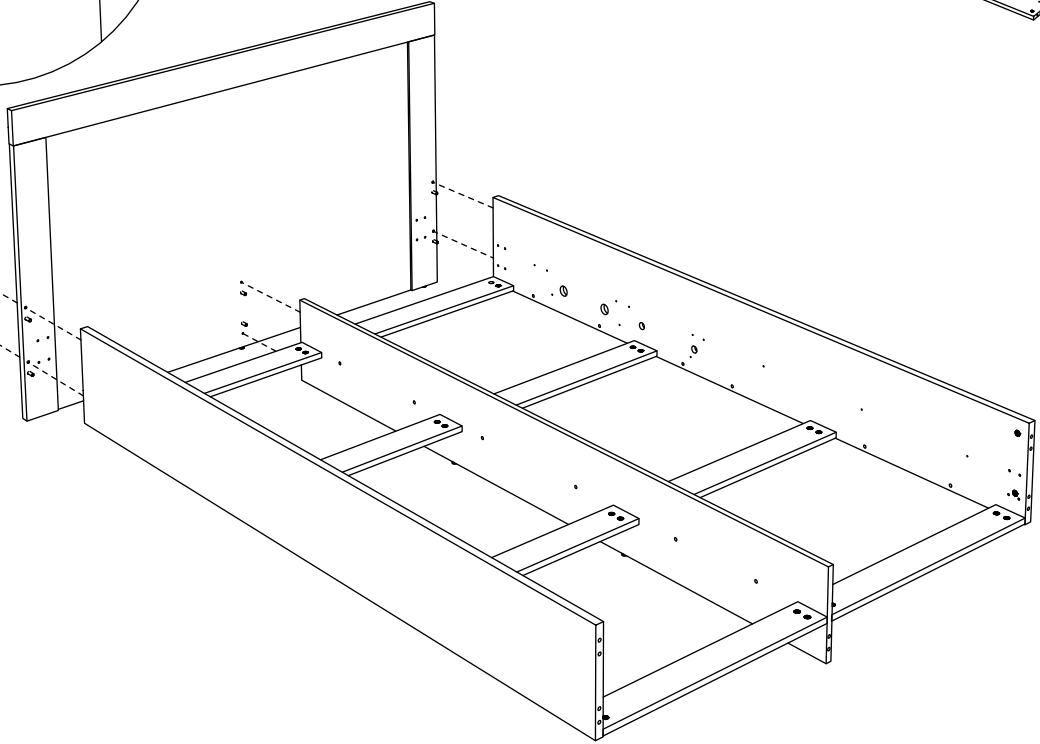
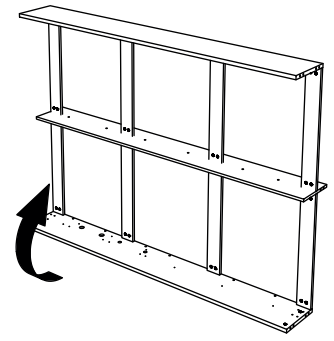
14.



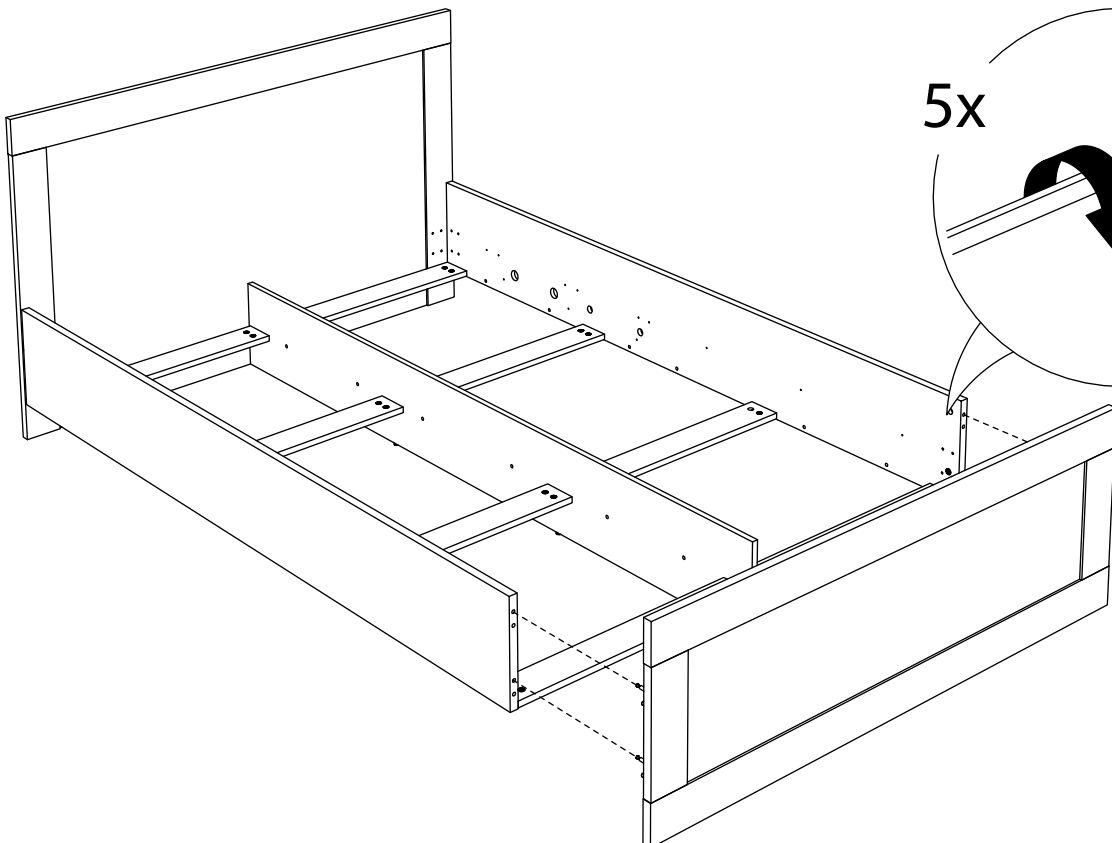
15.



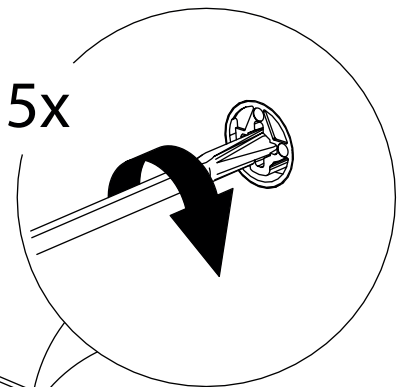
6x



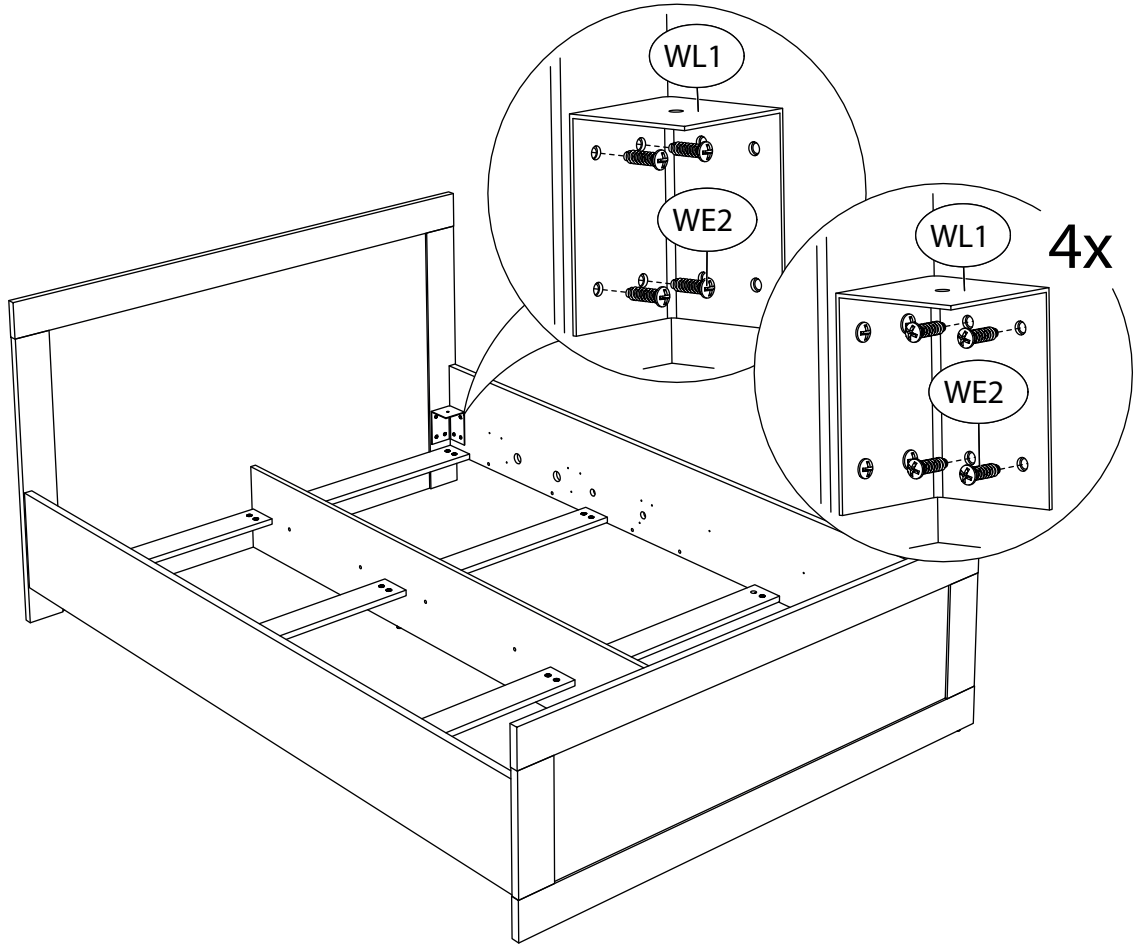
16.



5x



17.



18.

