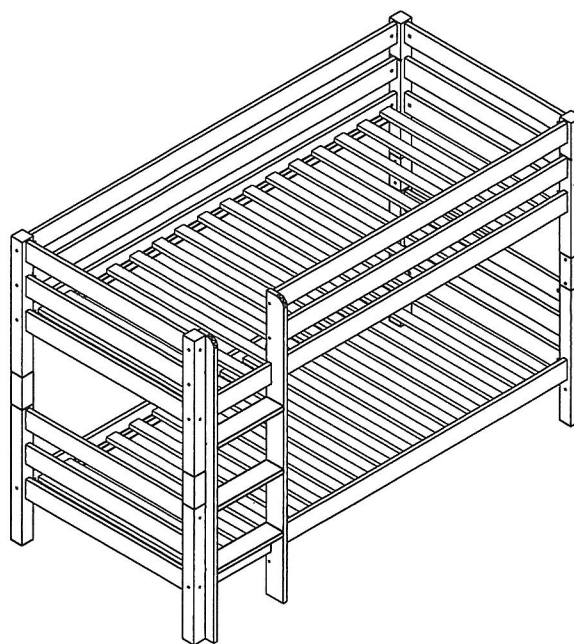
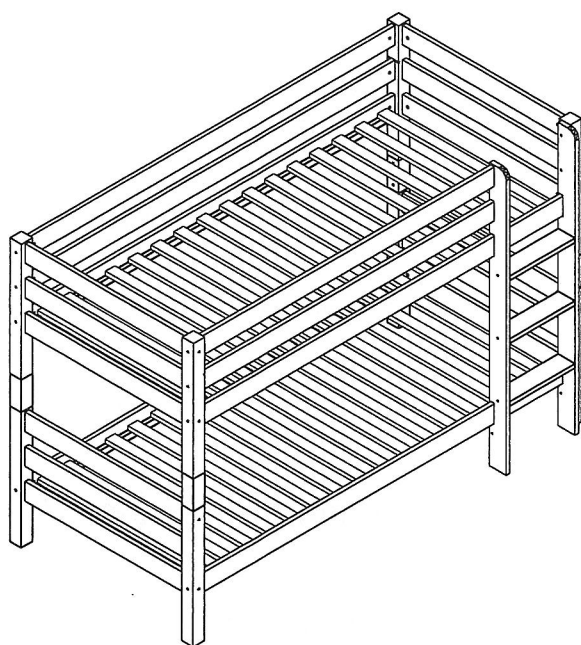
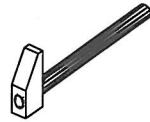
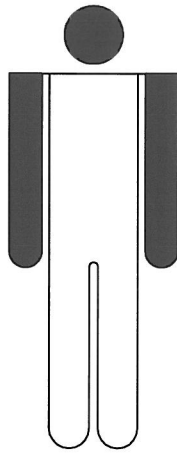
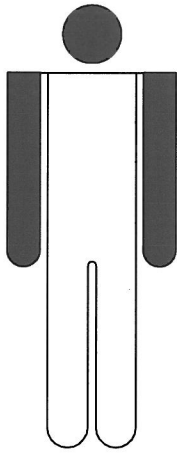
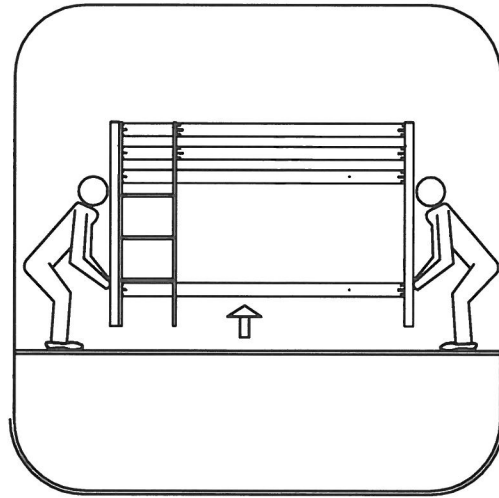
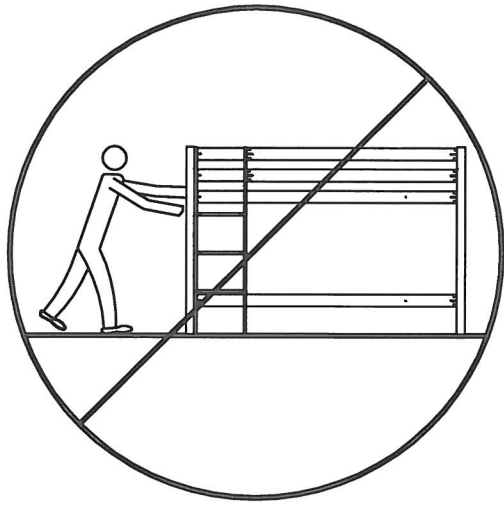


ALPIhome[®]

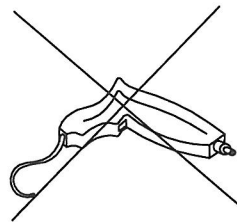
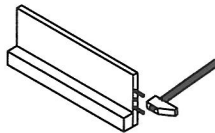
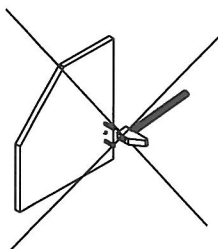
All for home in one place












LENNY PP

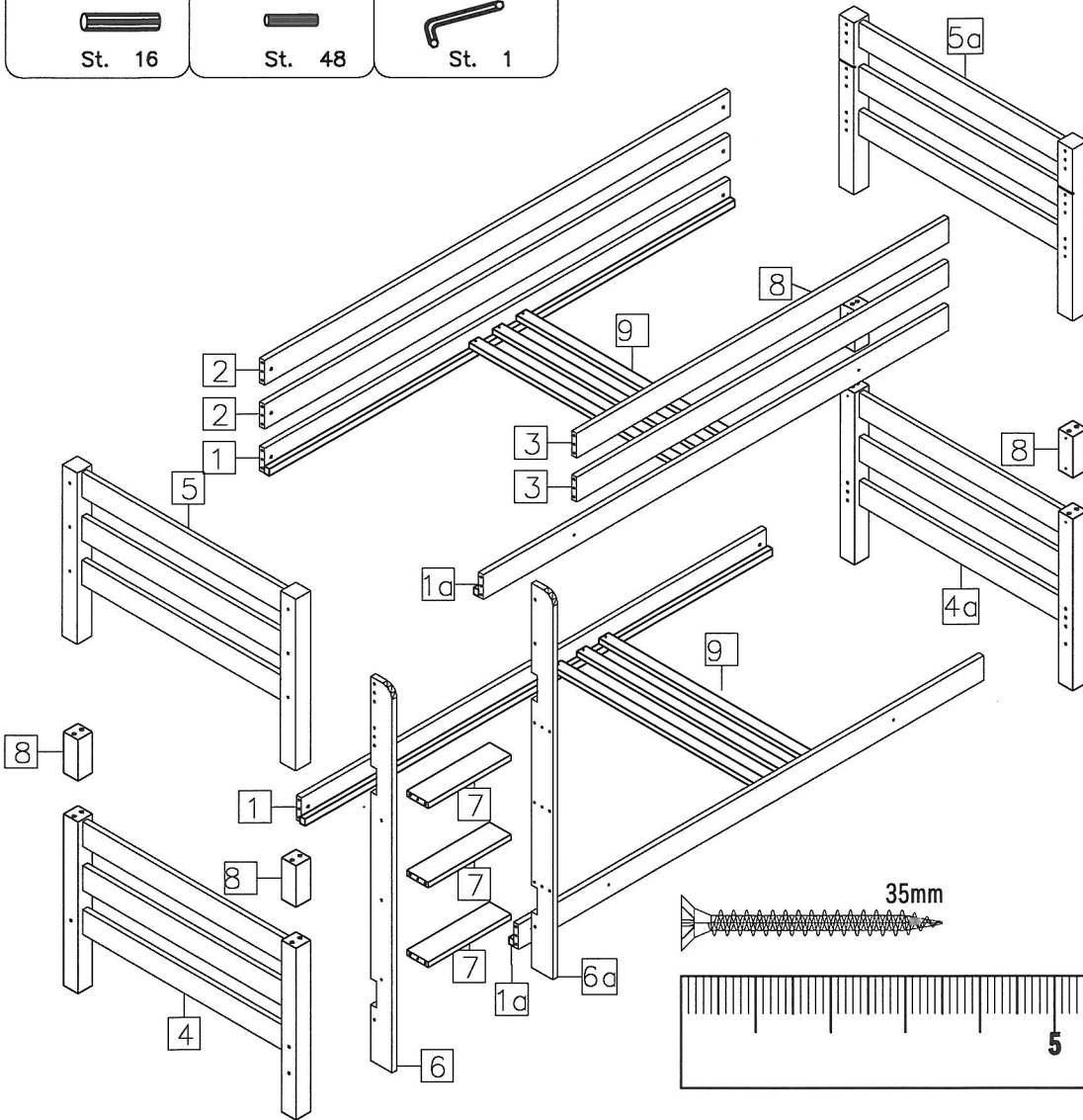




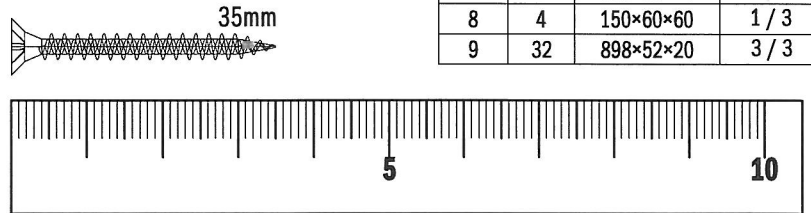
45°



A	M6X95	B	M6X75	C	M6X60	D	M6	E	Ø10X12	F	Ø3.0X35	G	M7x50	H	Ø3.0X30
															
	St. 14		St. 3		St. 2		St. 3		St. 16		St. 2		St. 6		St. 80
I	Ø12x60	K	Ø8x32	L	inbus 4mm										
															
	St. 16		St. 48		St. 1										



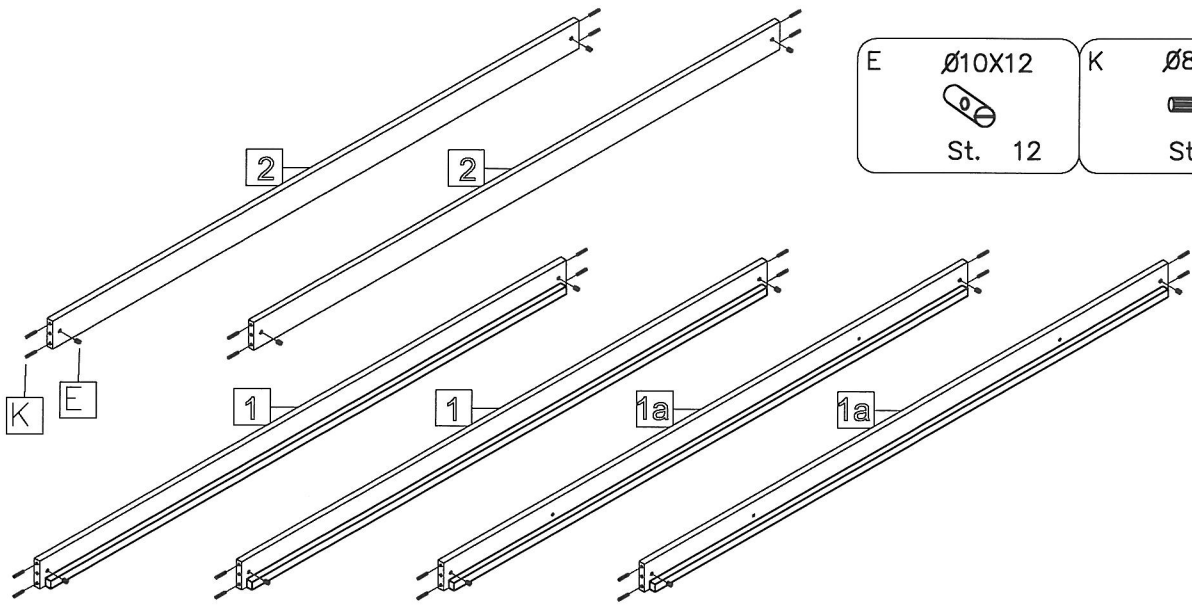
Broj	Kom.	H x B x T (mm)	Paket
1	2	1960×90×20	2 / 3
1a	2	1960×90×20	2 / 3
2	2	1960×90×20	2 / 3
3	2	1570×90×20	2 / 3
4	1	980×625×60	1 / 3
4a	1	980×625×60	1 / 3
5	1	980×625×60	1 / 3
5a	1	980×625×60	1 / 3
6	1	1400×90×20	2 / 3
6a	1	1400×90×20	2 / 3
7	3	350×90×20	2 / 3
8	4	150×60×60	1 / 3
9	32	898×52×20	3 / 3



1

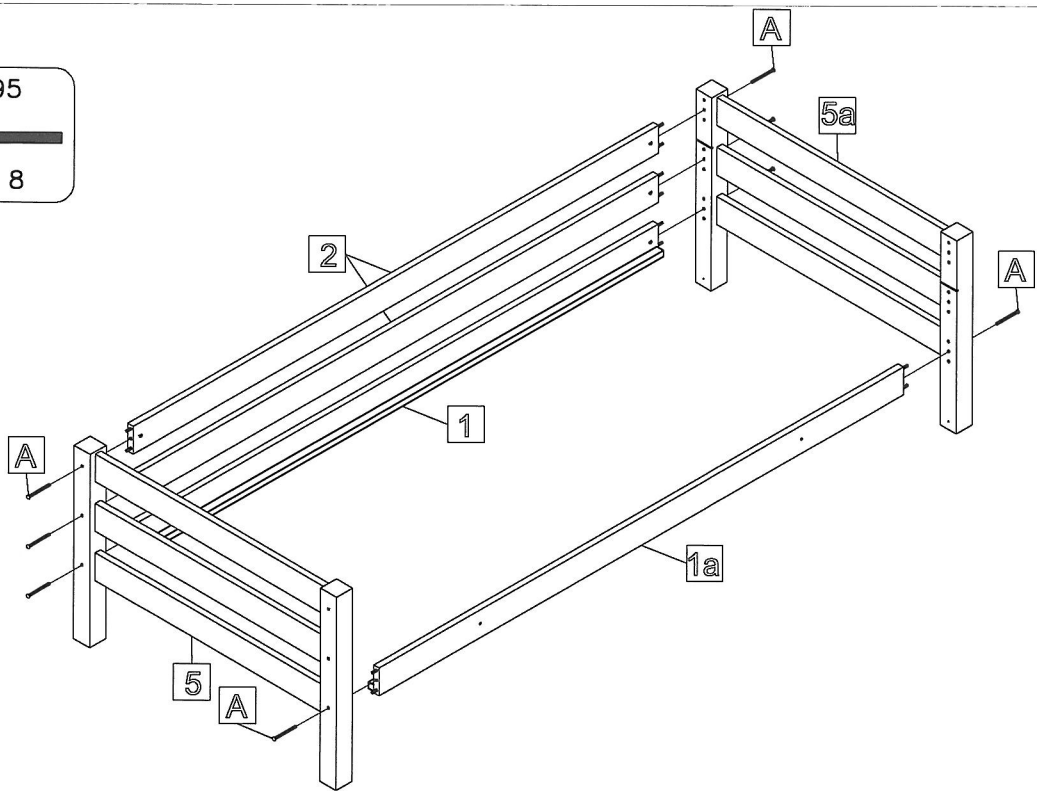
E $\varnothing 10 \times 12$
St. 12

K $\varnothing 8 \times 32$
St. 24



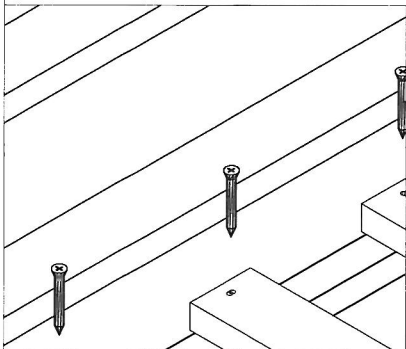
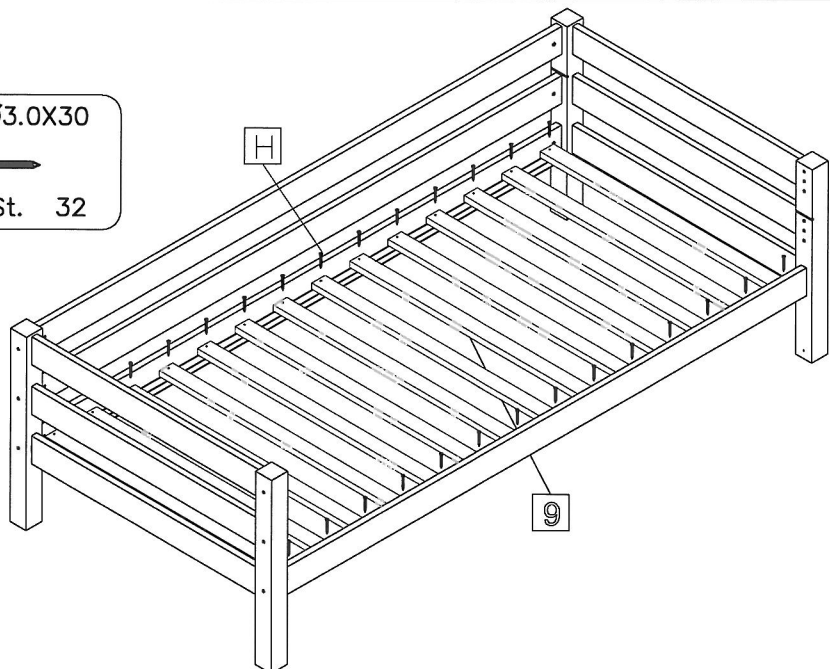
2

A M6X95
St. 8

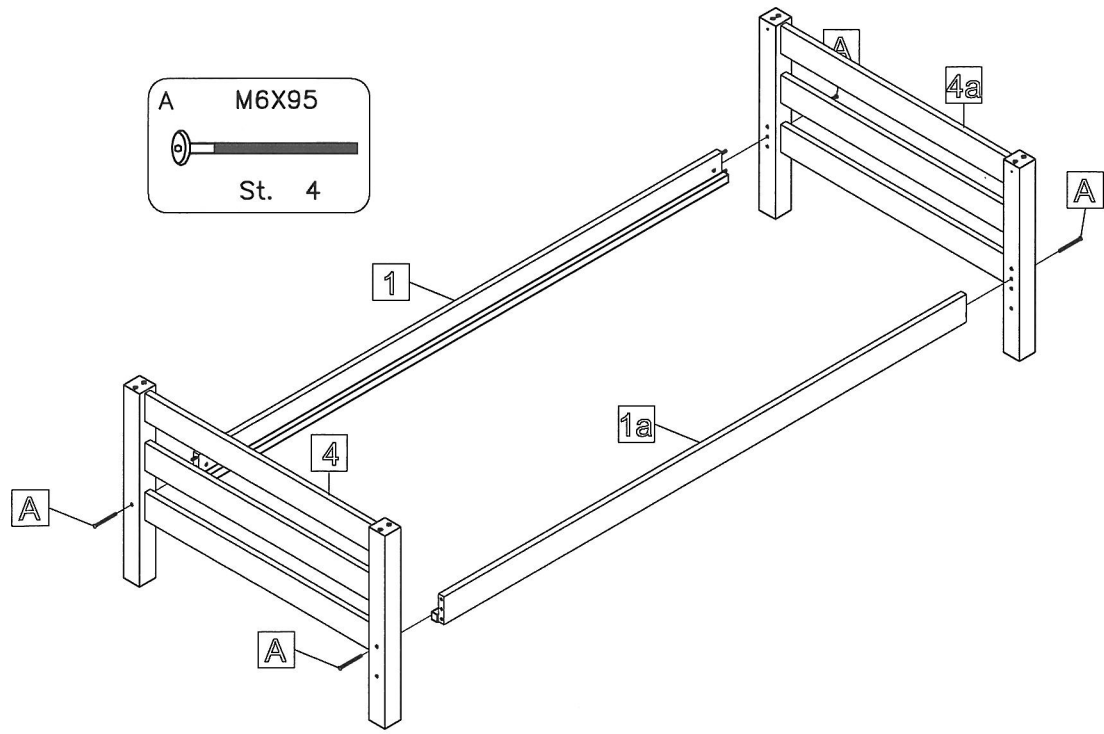


3

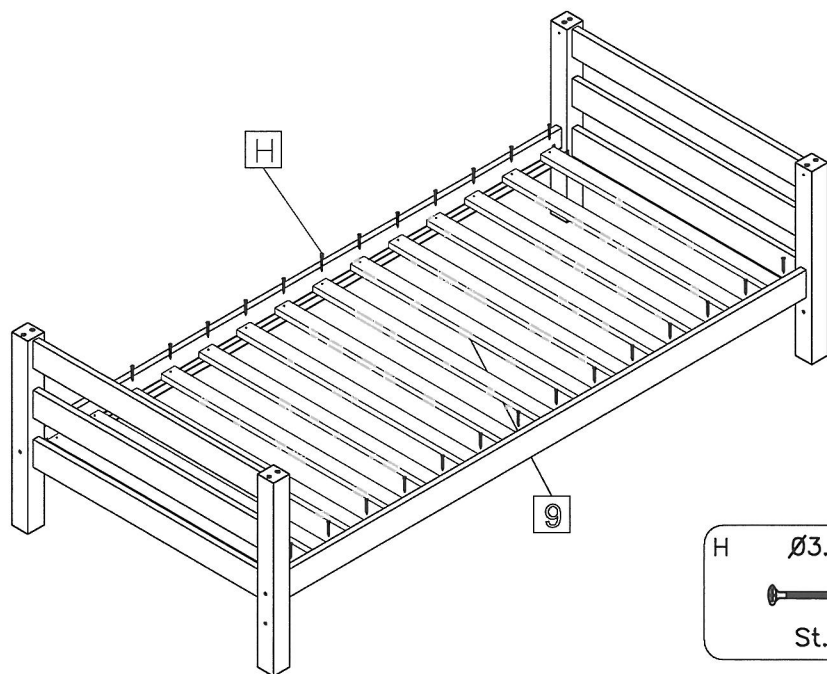
H $\varnothing 3.0 \times 30$
St. 32



4



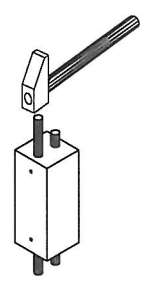
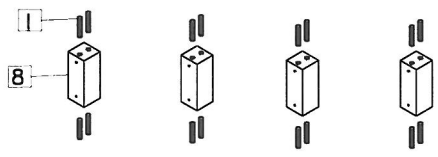
5

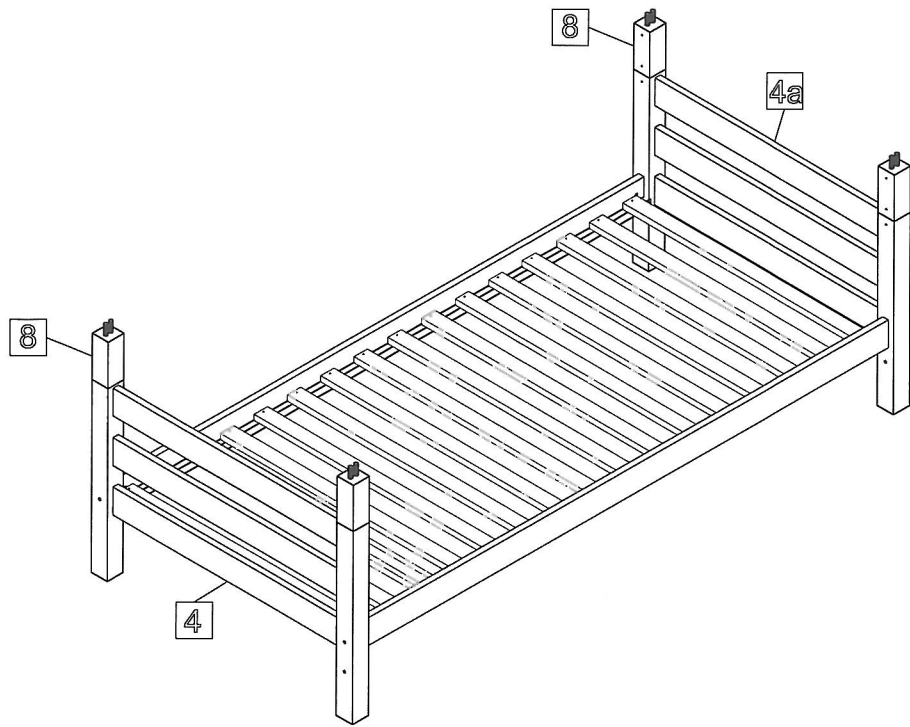



H Ø3.0X30
St. 32

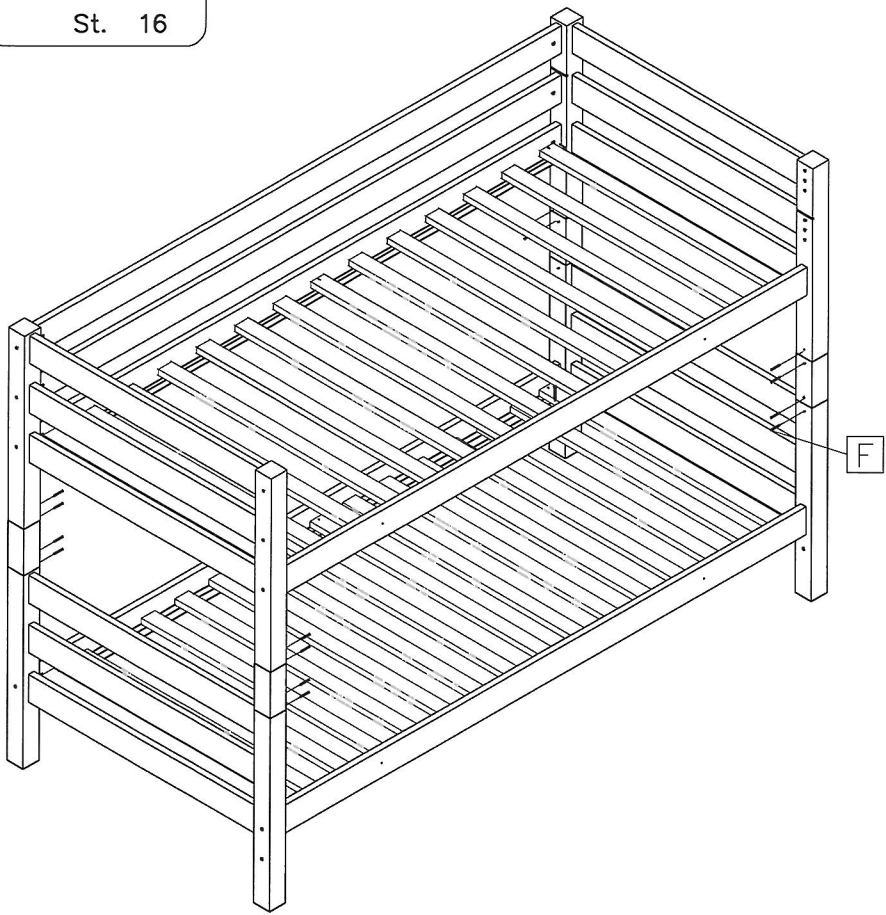
6

I Ø12x60
St. 16






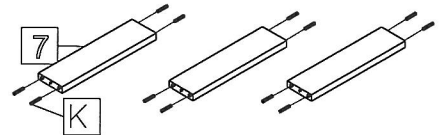
F $\varnothing 3.0 \times 30$

 St. 16




8

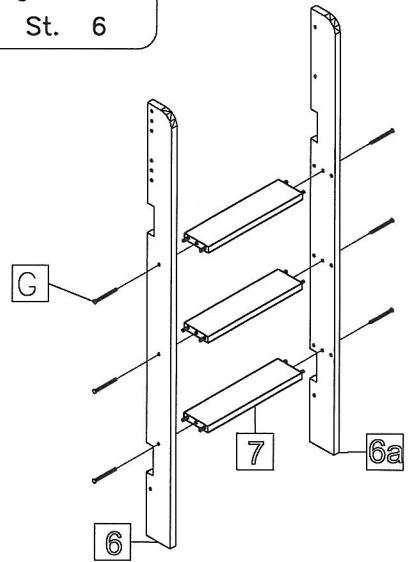
K $\varnothing 8 \times 32$

 St. 12



9

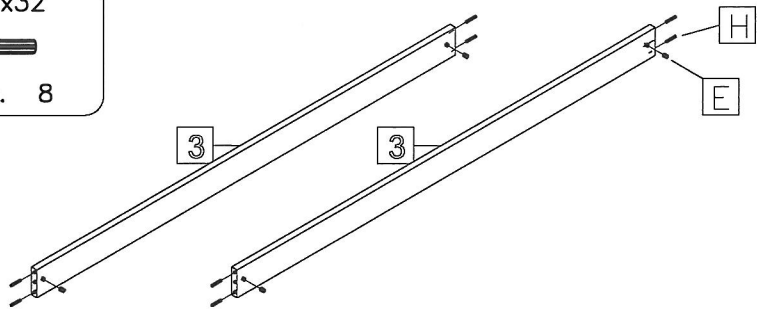


G M7x50

 St. 6


10






E	Ø10X12	H	Ø8x32
			
St. 4		St. 8	

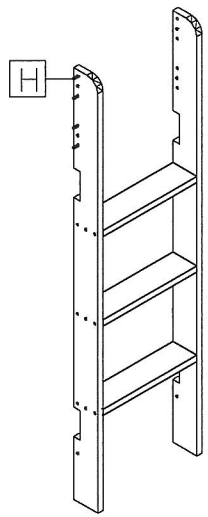


11

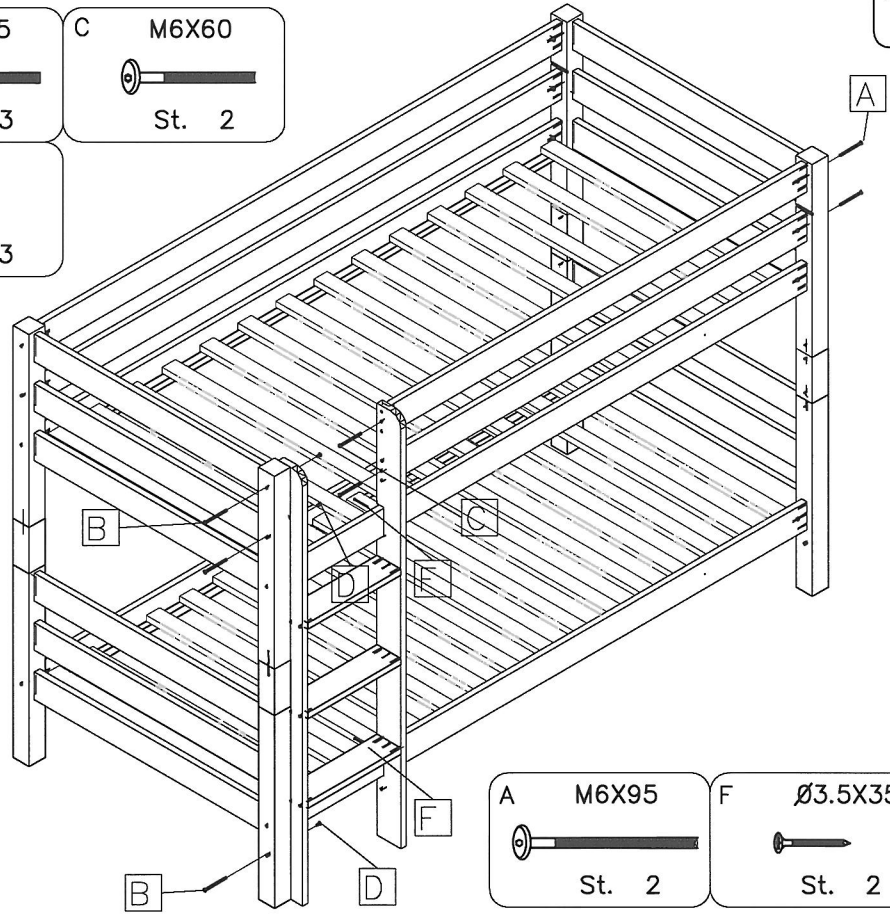
H	Ø8x32
	
St. 4	



B	M6X75	C	M6X60
			
St. 3		St. 2	

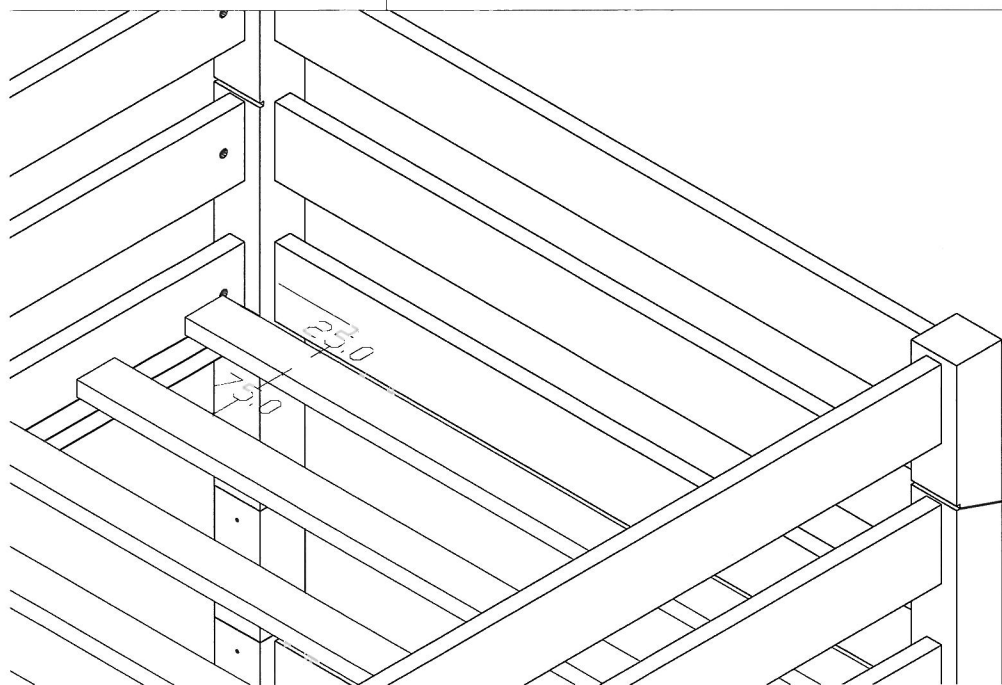
D	M6
	
St. 3	



13



A	M6X95	F	Ø3.5X35
			
St. 2		St. 2	



ACHTUNG
 Max. Matratzen Höhe
 IMPORTANT
 Max. Mattress height
 AANDACHT,
 Max. Matrashoogte
 ATTENTION,
 épaisseur Maximale
 du Matelas