

# ŁÓZKO MELISSA

## ASSEMBLY INSTRUCTION

PAGE 1 OF 2

### MODEL: MELISSA QUEEN BED

**SIGNAL**  
m e b l e

Read this instruction carefully. See hardware and furniture part list for guidance. Be sure all part is complete, before you assemble. Place all wooden furniture part on a clean and flat soft surface to prevent from being scratched. Follow the figure to start assembling.

#### CAUTION:

1. Do not FULLY-TIGHTEN the nut or bolt until all nut or nut bolt is ready to be assembled.
2. Do not OVER-TIGHTEN the nut or nut bolt to avoid causing damage to the thread.
3. Keep all hardware part out of reach of children.

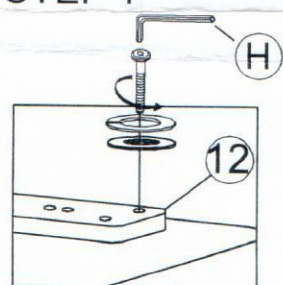
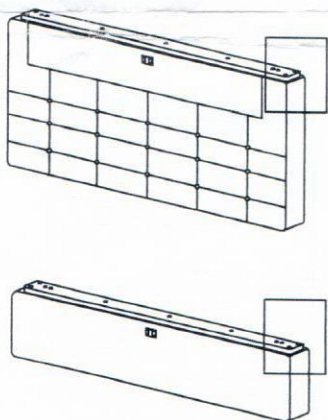
#### PART LIST

NO	DESCRIPTION	QTY
1	HEADBOARD	1PC
2	FOOTBOARD	1PC
3	SIDE RAIL	2PCS
4	CENTER RAIL	1PC
5	SUPPORT LEG-LONG	2PCS
6	SUPPORT LEG-SHORT	1PC
7	SLAT	32PCS
8	VERTICAL RAIL	1PC
9	SIDE PLASTIC CAP	32PCS
10	CENTER PLASTIC CAP	16PCS
11	BED LEG	4PCS
12	LEG SUPPORT BAR (PRE-FIXED)	2PCS

#### HARDWARE LIST

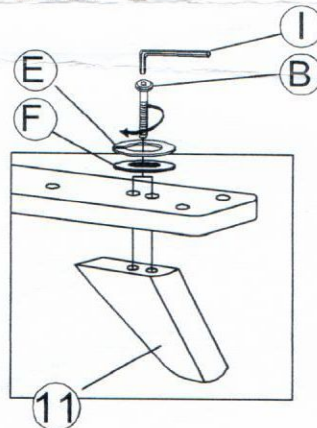
NO	DESCRIPTION	QTY
A	JCBB M8 X 40MM	8PCS
B	JCBB M8 X 50MM	8PCS
C	JCBC M6 X 50MM	4PCS
D	JCBC M6 X 70MM	1PC
E	SPRING WASHER 5/16"	21PCS
F	FLAT WASHER 5/16"	16PCS
G	FLAT WASHER 1/4"	5PCS
H	ALLEN KEY M4	1PC
I	ALLEN KEY M5	1PC

#### STEP 1

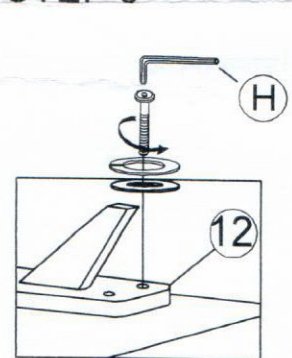


Remove Leg Support Bar before assembly Bed Leg by using ALLEN KEY M4(H). Please re-use the hardware at Step3

#### STEP 2

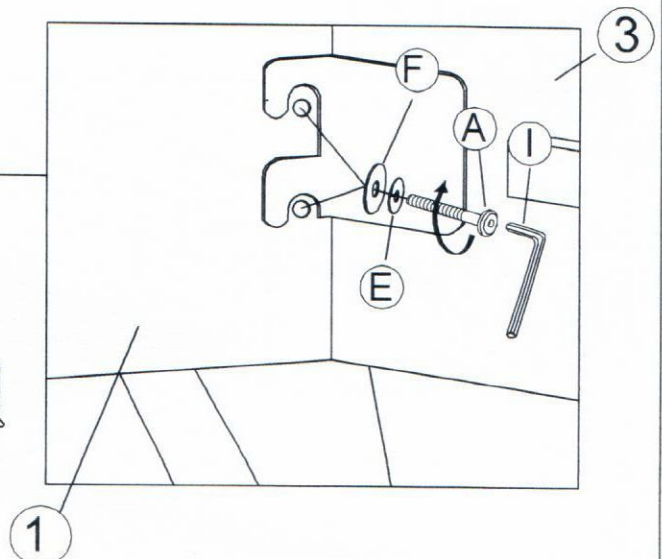
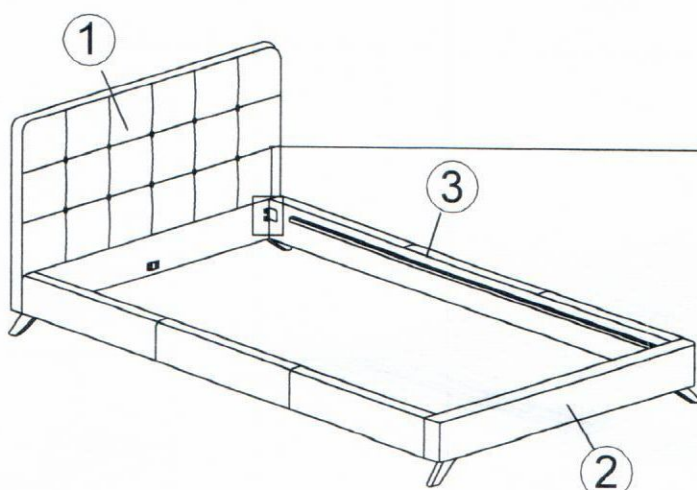


#### STEP 3



Re-use the hardware removed at Step1.

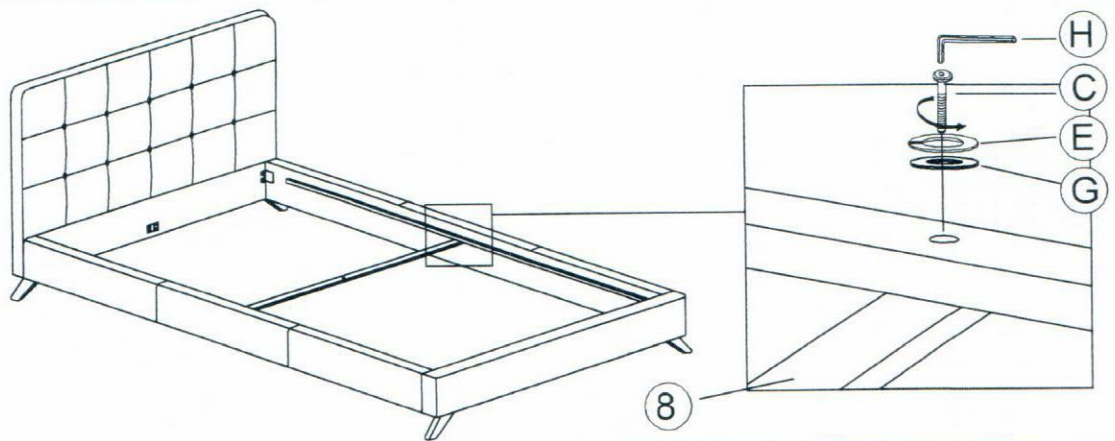
#### STEP 4



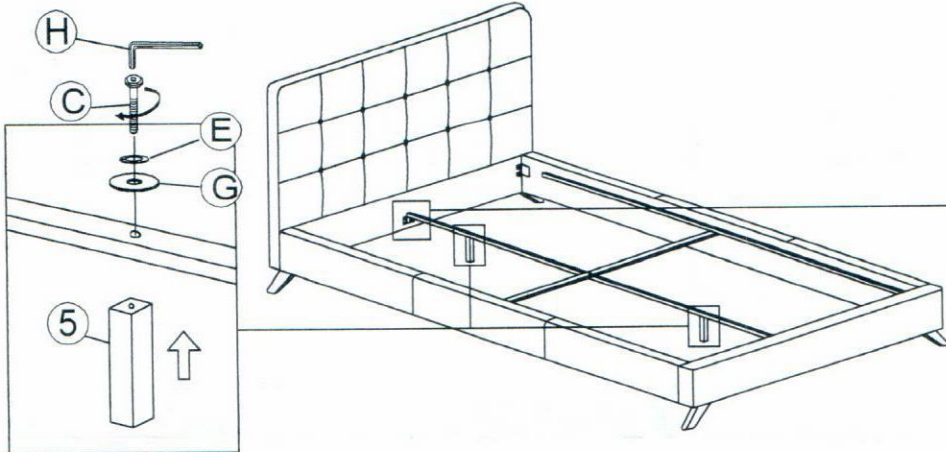
FOSKO METI 227

ASSEMBLY INSTRUCTION

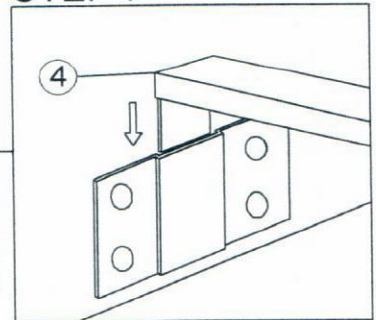
STEP 5



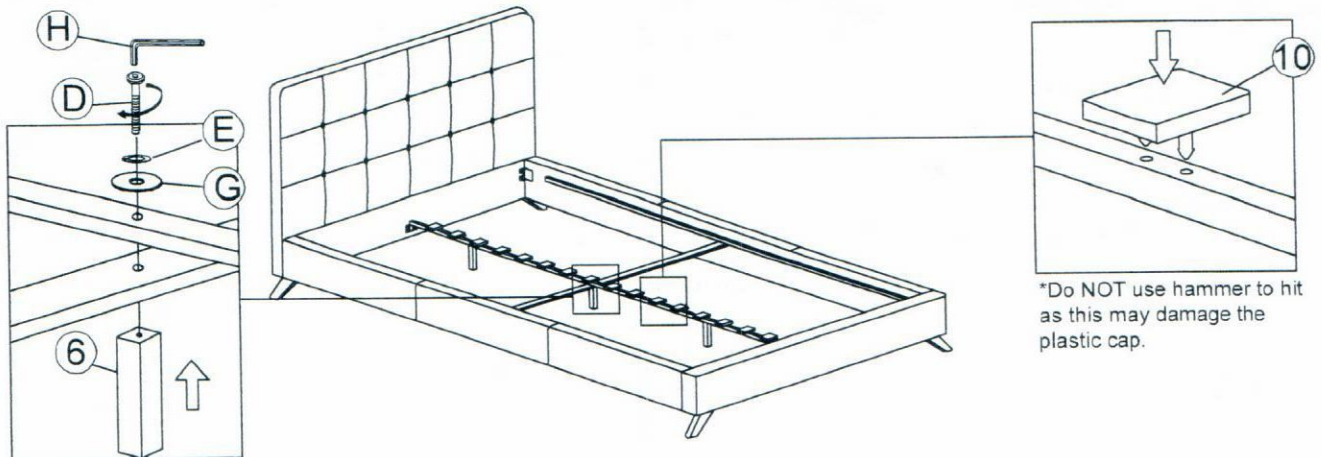
STEP 6



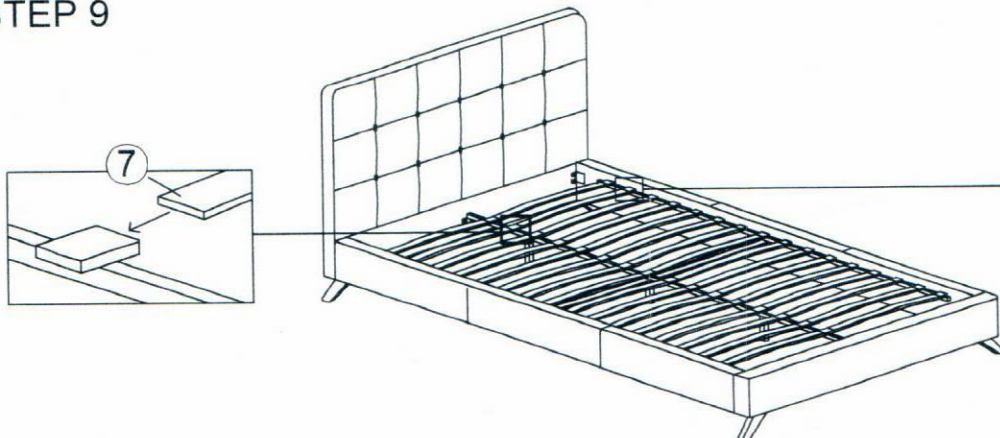
STEP 7



STEP 8



STEP 9



STEP 10

