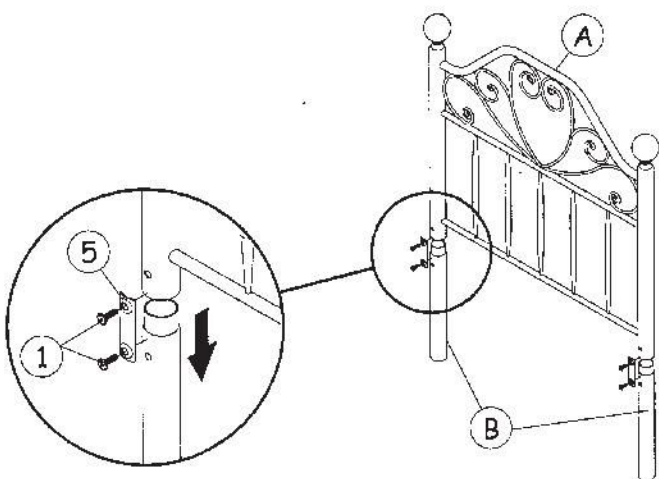
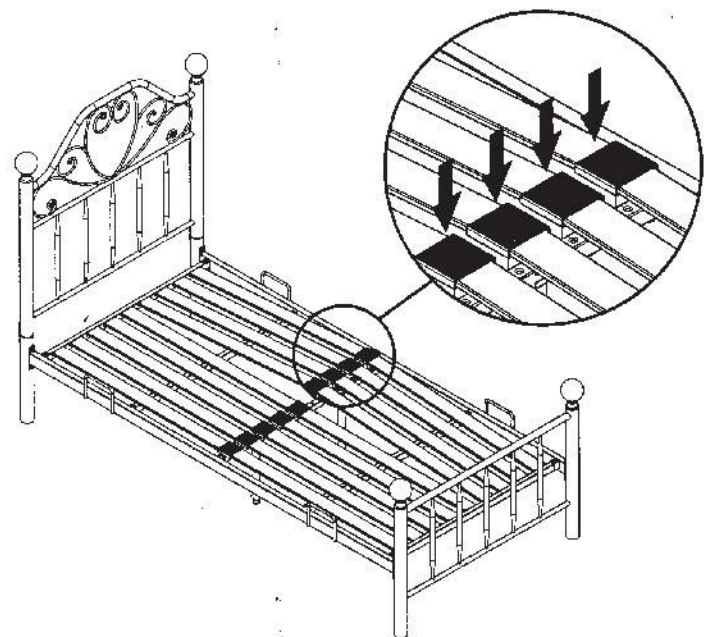
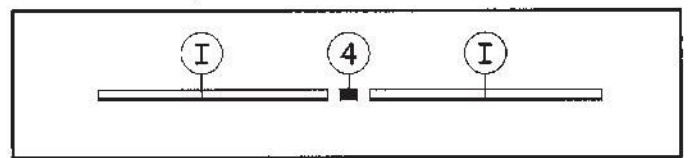
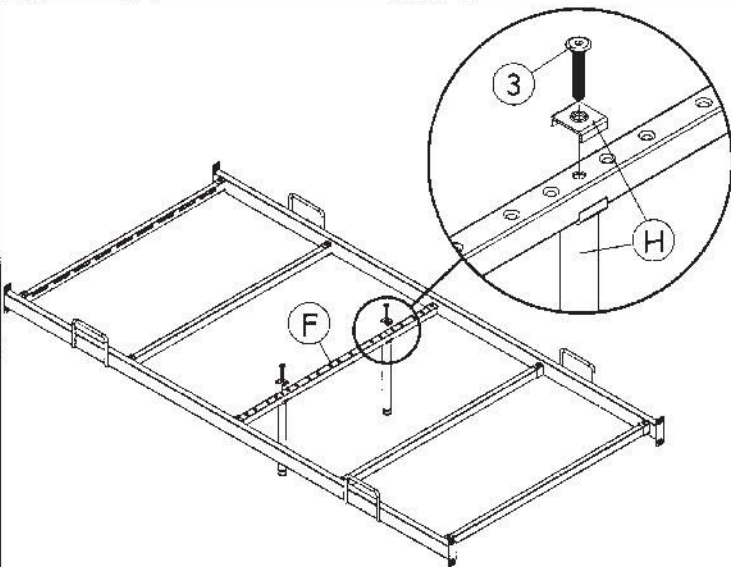
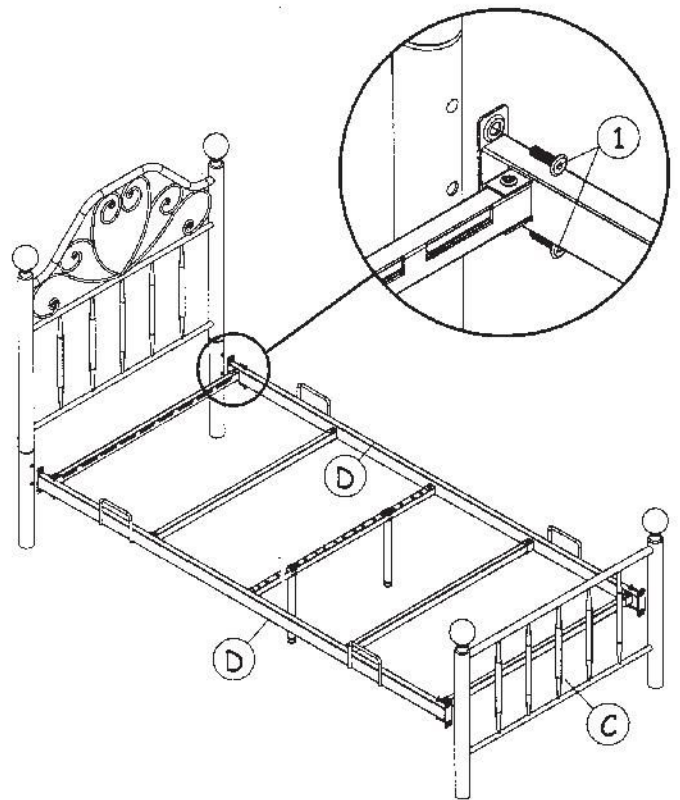
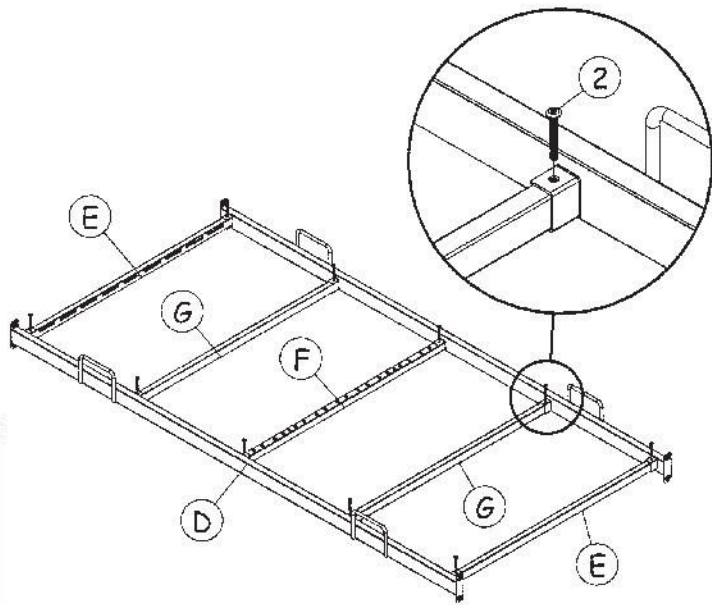
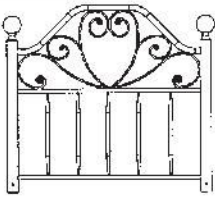

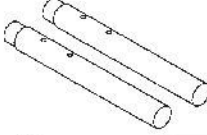

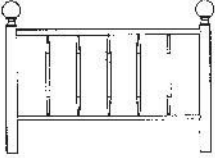

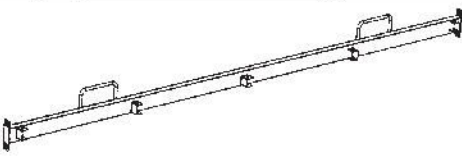
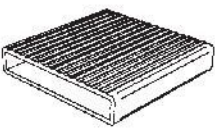
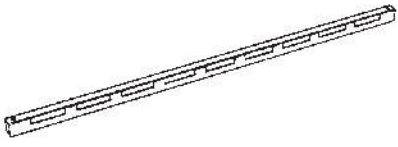
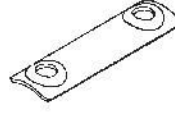
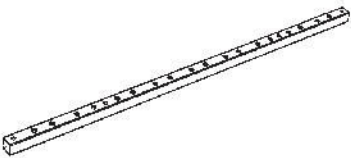

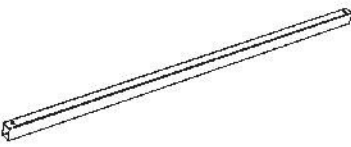


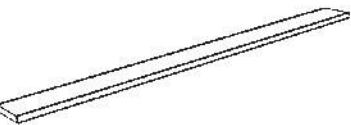


LOZKO LIMA 90X200



.OZKO LIMA 90X200

NO.	PART	QTY.	NO.	HARDWARE	QTY.
A		1	1	 M8 x 25mm	12 PCS
B		2	2	 M6 x 40mm	10 PCS
C		1	3	 M8 x 40mm	2 PCS
D		2	4		9 PCS
E		2	5		2 PCS
F		1	6	 M6	1 PC
G		2	7	 M8	1 PC
H		2			
I		18			