

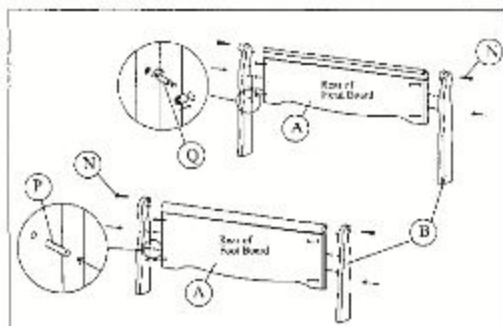
# ASSEMBLY INSTRUCTION FOR 1.6-866-NS-KD (LOZKO BOSTON 160 x 200)

Note:

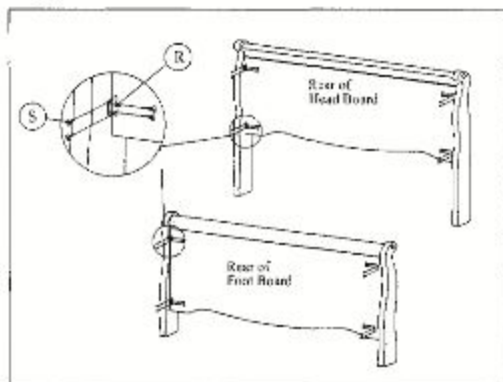
- Read instructions carefully.
- Carefully identify each component according to the list on the cover.
- Separate and label each component from the list to check each and each part in its proper location before beginning.
- Do not over tighten the screws or bolts when assembling.



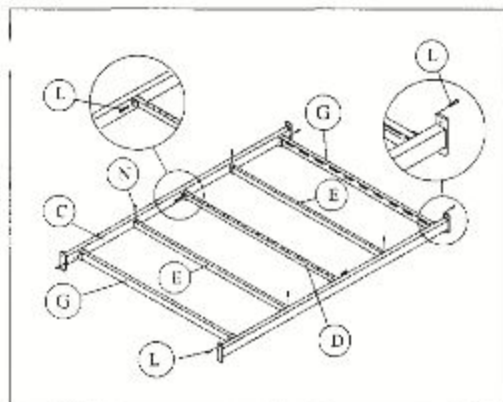
TOOL REQUIRED



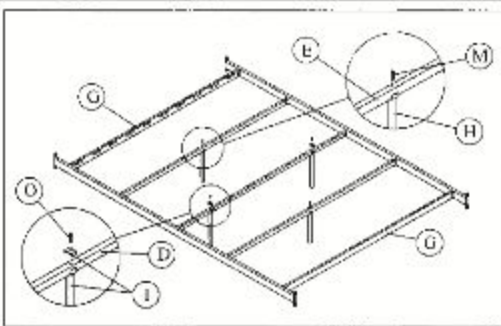
**Step 1** Fix all headboard & footboard component as shown.



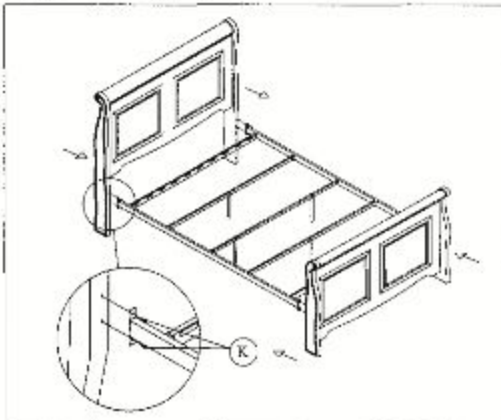
**Step 2** Fix butterfly bracket at headboard & footboard as shown.



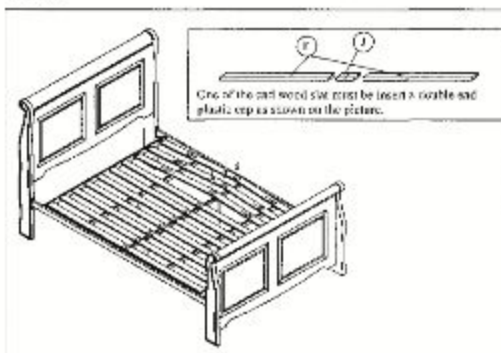
**Step 3** Fix both side rails and cross bar D with bolt L as above diagram. Put cross bar E into side rail and fix it with bolt N. After that put end cross bar G to the end of side rail and tighten with bolt L.



**Step 4** Fix bed support legs as shown on the picture.











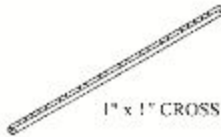


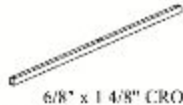










**Step 5** Assemble bed base into bed frame and tighten all bolts.



**Step 6** Once wood slats have been inserted into the plastic caps, fix one end of wood slat into the hole at end cross bar G and the other end to the other end cross bar. After that fix the plastic cap to the center cross bar by pressing it accordingly to the default holes. Ensure the plastic caps fit snugly to the hole.

Please follow our Assembly Instruction procedure for easier assemble.

# HARDWARE & PARTS LIST FOR 1.6-866-NS-KD ( LOZKO BOSTON 160 x 200 )

NO	DESCRIPTION	QTY	NO	DESCRIPTION	QTY
A	 SIDE RAIL	2 pcs	J	 DOUBLE END PLASTIC CAP	10 pcs
			K	 M8 x 25mm	8 pcs
B	 HEAD POST	2 pcs	L	 M6 x 40mm (assembly)	6 pcs
	 FOOT POST	2 pcs			
C	 SIDE RAIL	2 pcs	M	 M6 x 45mm (assembly)	2 pcs
D	 1" x 1" CROSS BAR	1 pc	N	 M6 x 50mm (4 assembly)	8 pcs
			O	 M8 x 40mm (assembly)	2 pcs
E	 6/8" x 1 4/8" CROSS BAR	2 pcs	P	 M8 x 30mm Wood Dowel	12 pcs
F	 WOOD SLAT	20 pcs	Q	 Housing Connector	8 pcs
			R	 Butterfly L-Bracket	8 pcs
G	 1" x 2" CROSS BAR	2 pcs	S	 Chipboard Screw 16mm	32 pcs
H	 SHORT SUPPORT LEG	2 pcs		 M6 - ALLEN KEY	1 pc
I	 LONG SUPPORT LEG	2 pcs		 M8 - ALLEN KEY	1 pc