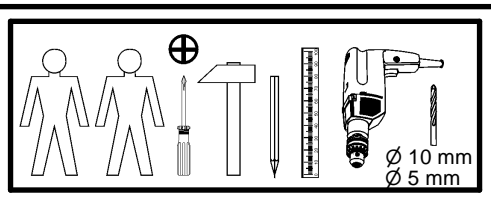
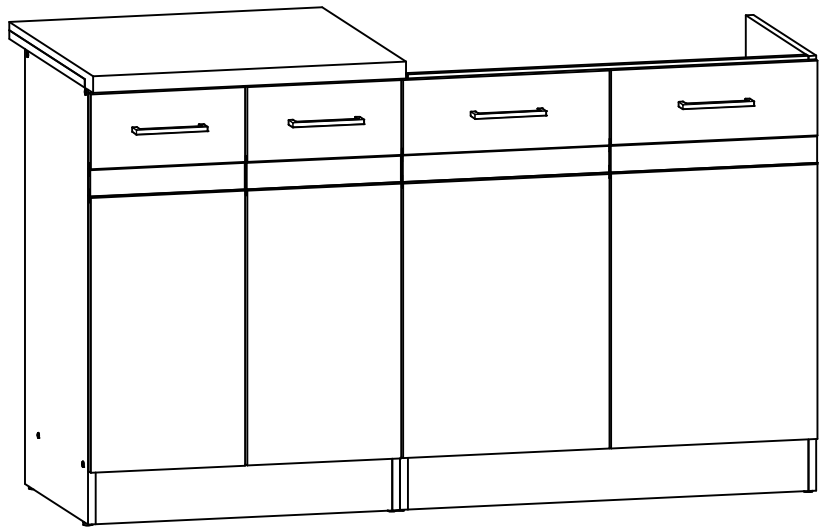
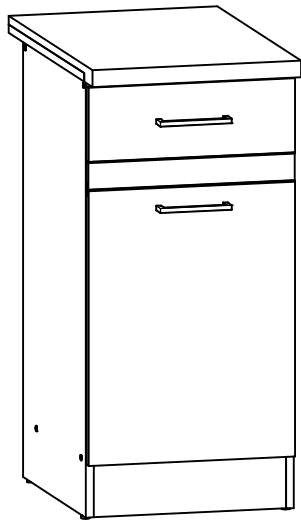
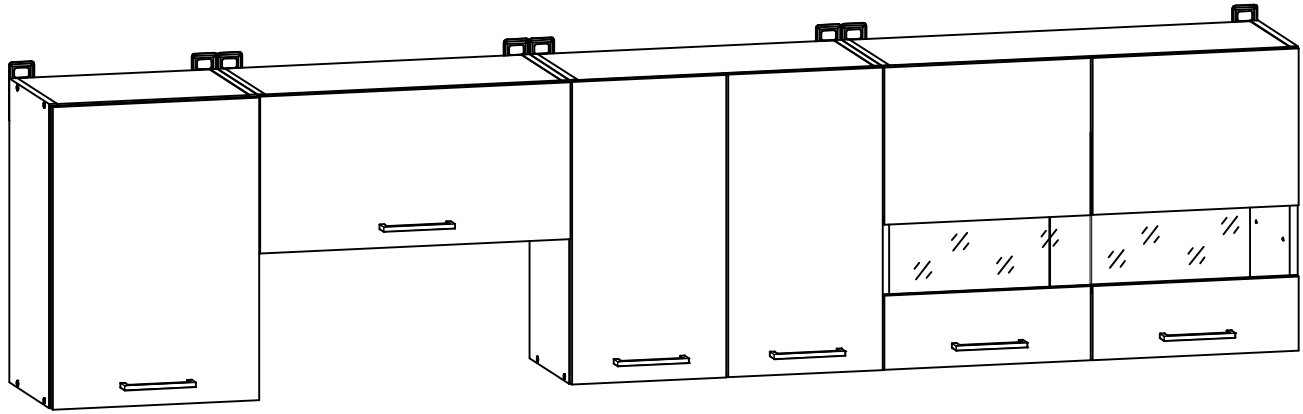
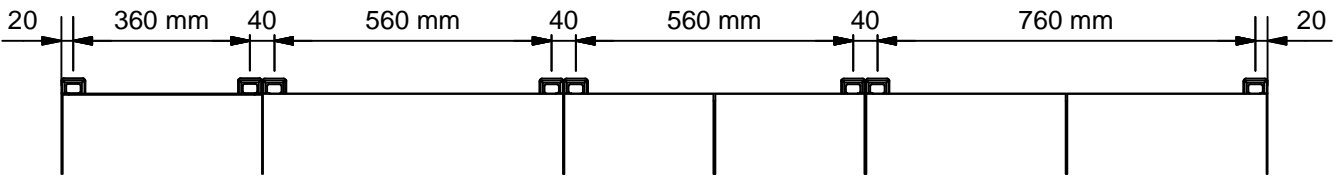


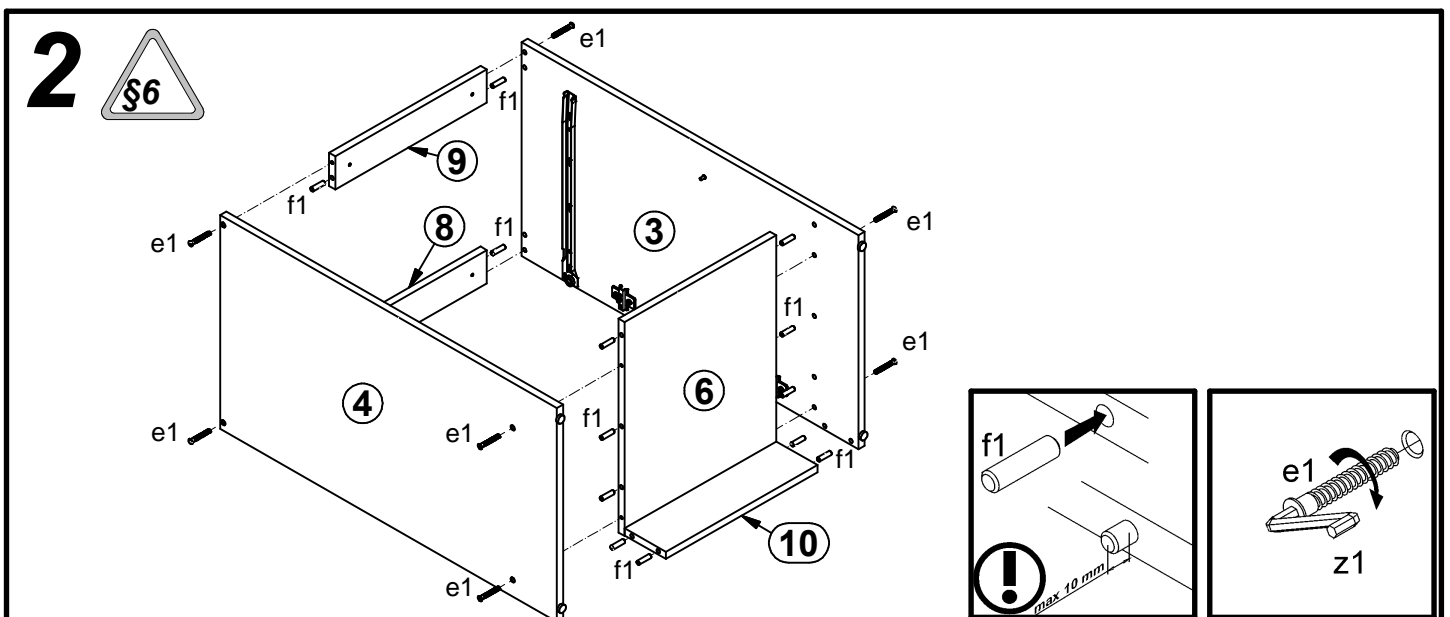
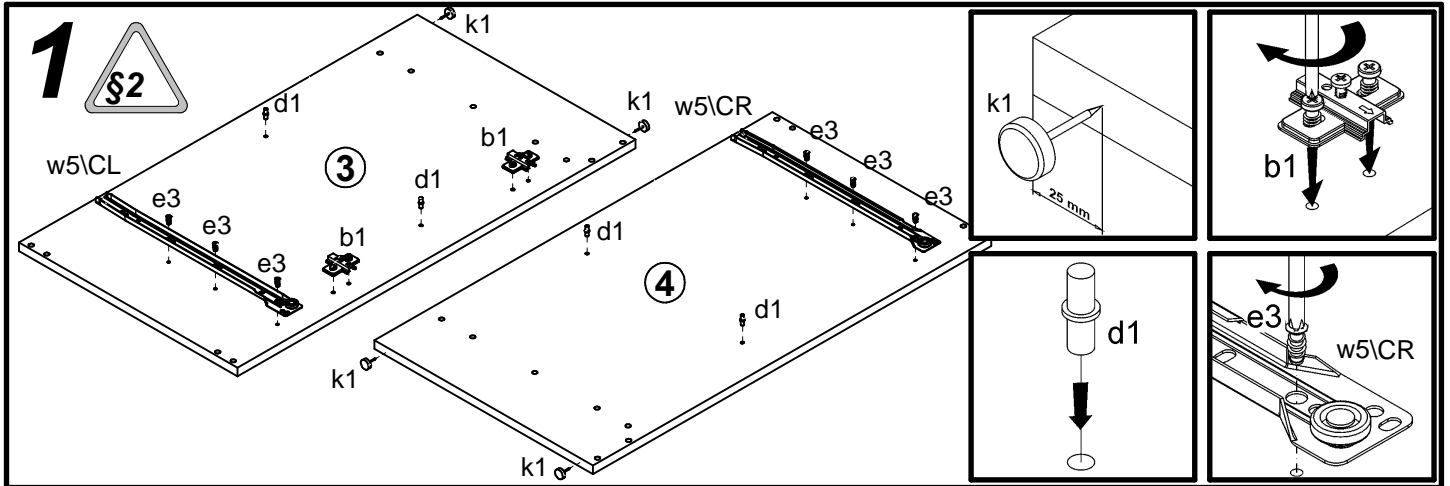
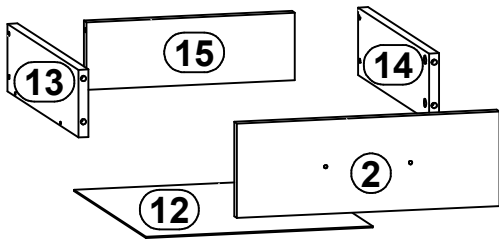
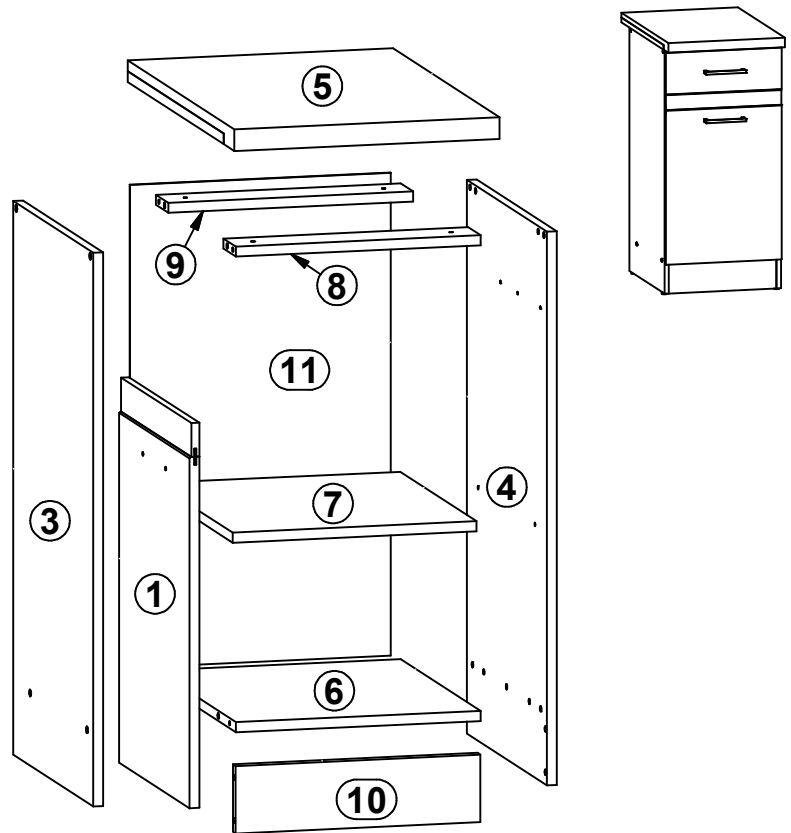
K24-JUNONA 240

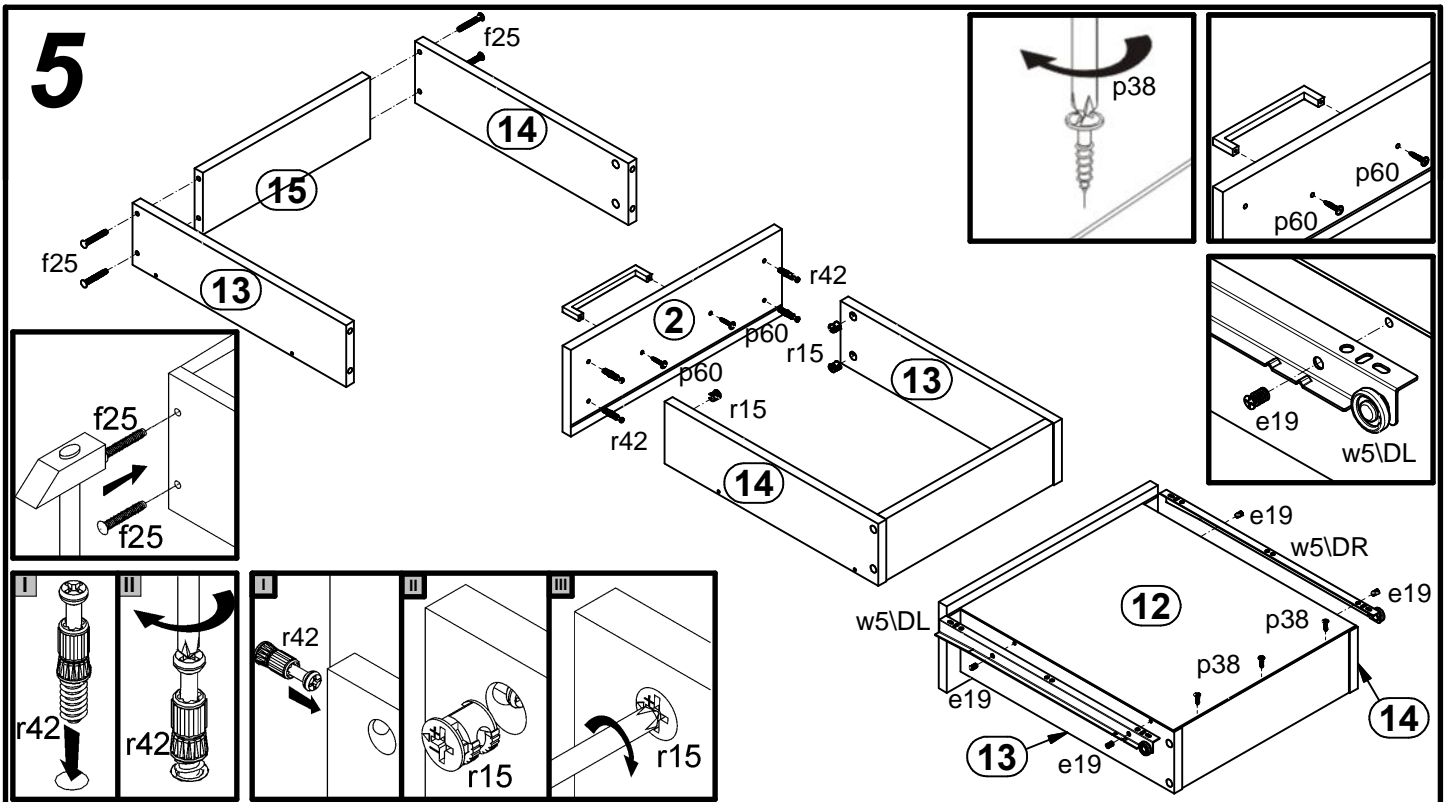
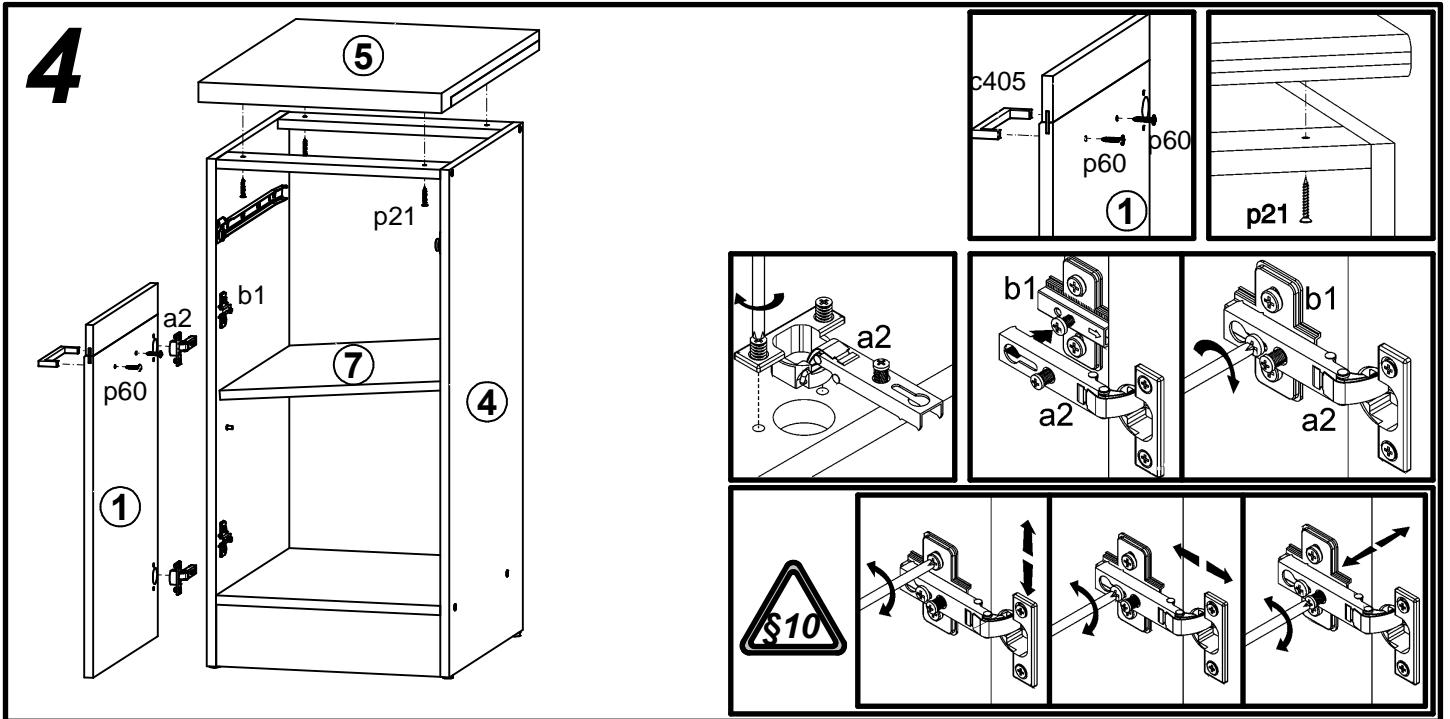
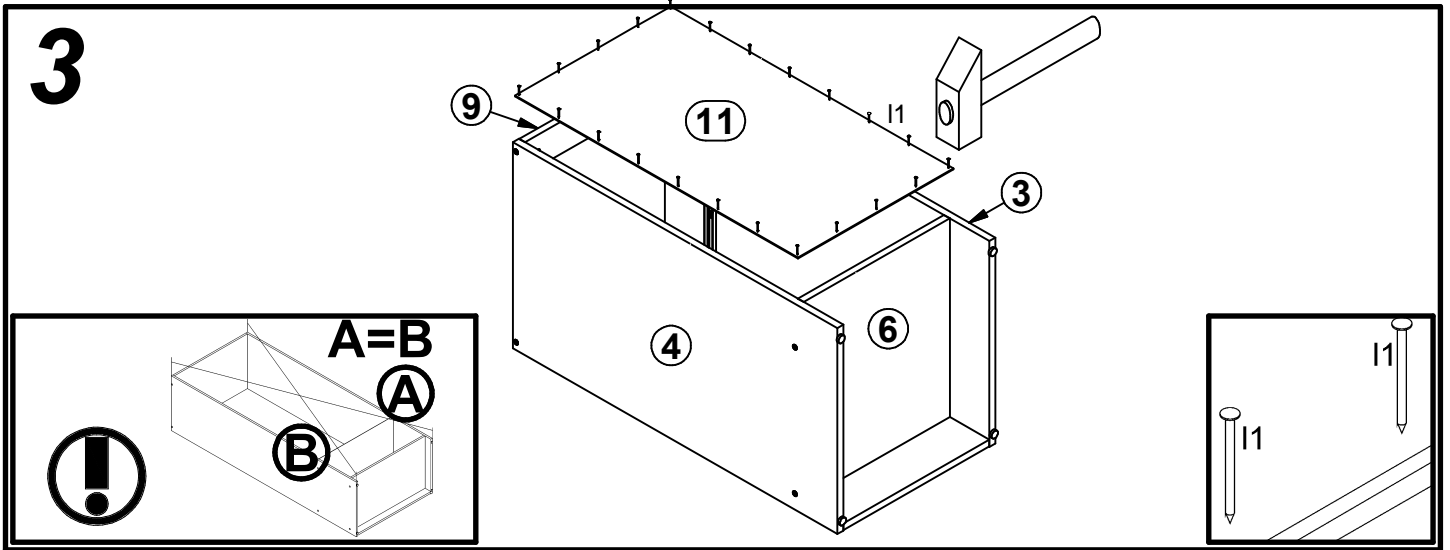


| | | | | | | | | |
|------------------------------|---------------------------|-----------------------------|---------------------------|----------------------------|----------------------------------|--------------------------|----------------------------|-----------------------------|
| 22x a2 | 22x b1 | 12x c405 128mm | 20x d1 φ5x17 mm | 56x e1 φ7x50 mm | 4x e19 φ5x9 mm | 6x e3 φ6x13 mm | 58x f1 φ8x30 mm | 4x f25 φ6.5x40 mm |
| 8x f35 φ10x50 mm | 12x k1 | 175x l1 | 1x m5\1L | 1x m5\2 | 4x n16\L | 4x n16\P | 2x p1 φ3.5x13 mm | 8x p127 Ø6x60 mm |
| 32x p16 φ3.5x25 mm | 8x p21 φ4x30 mm | 3x p38 Ø3.5x16 mm | 1x p48 φ3x25 mm | 24x p60 φ4x22 mm | 4x r15 Ø12x10.5 mm #12 | 4x r42 | 1x w5\CL 400 mm | 1x w5\CR 400 mm |
| 1x w5\DL 400 mm | 1x w5\DR 400 mm | 28x s1 | 2x z1 | | | | | |

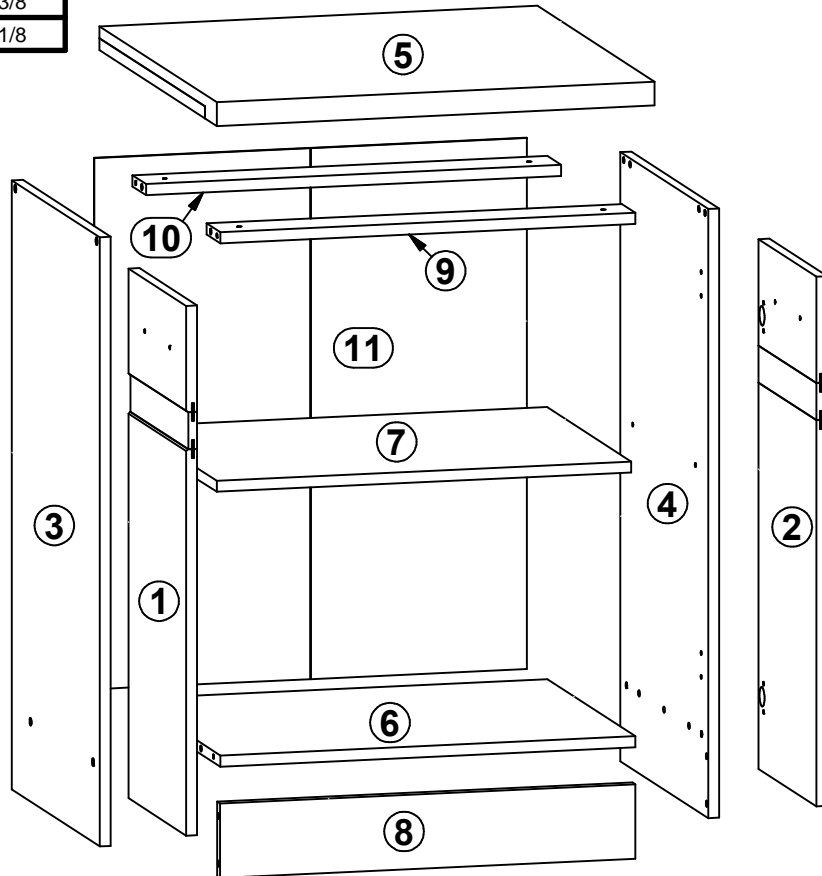
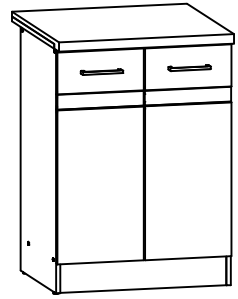
K24-D1D1S/40/82

| A | B | C | D |
|----|----------|-----|-----|
| 1 | K24-024 | 396 | 570 |
| 2 | K24-032 | 396 | 140 |
| 3 | K24-103 | 820 | 450 |
| 4 | K24-104 | 820 | 450 |
| 5 | K24-203 | 400 | 600 |
| 6 | K24-307 | 369 | 450 |
| 7 | K24-308 | 368 | 430 |
| 8 | K24-411 | 369 | 70 |
| 9 | K24-412 | 369 | 70 |
| 10 | K24-413 | 369 | 100 |
| 11 | K22-906 | 715 | 393 |
| 12 | K22-922 | 406 | 342 |
| 13 | ZS3-519 | 400 | 100 |
| 14 | ZS3-520 | 400 | 100 |
| 15 | ZS3-5527 | 314 | 100 |

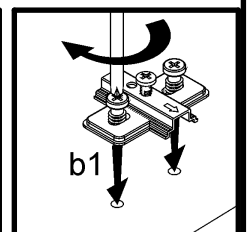
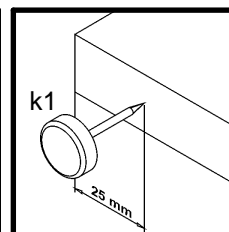
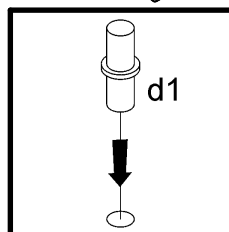
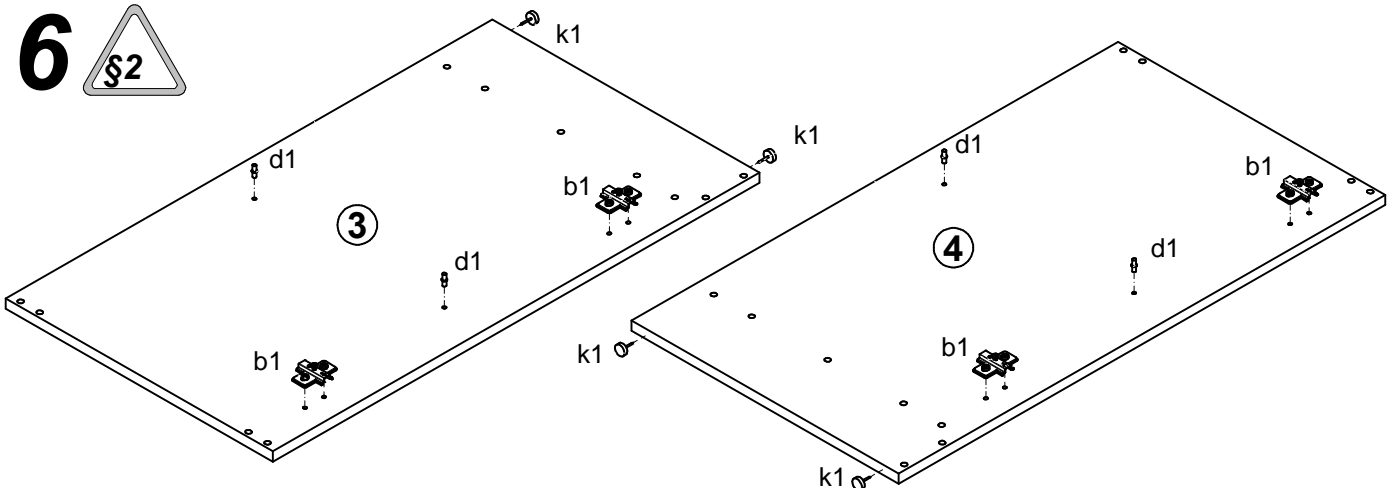


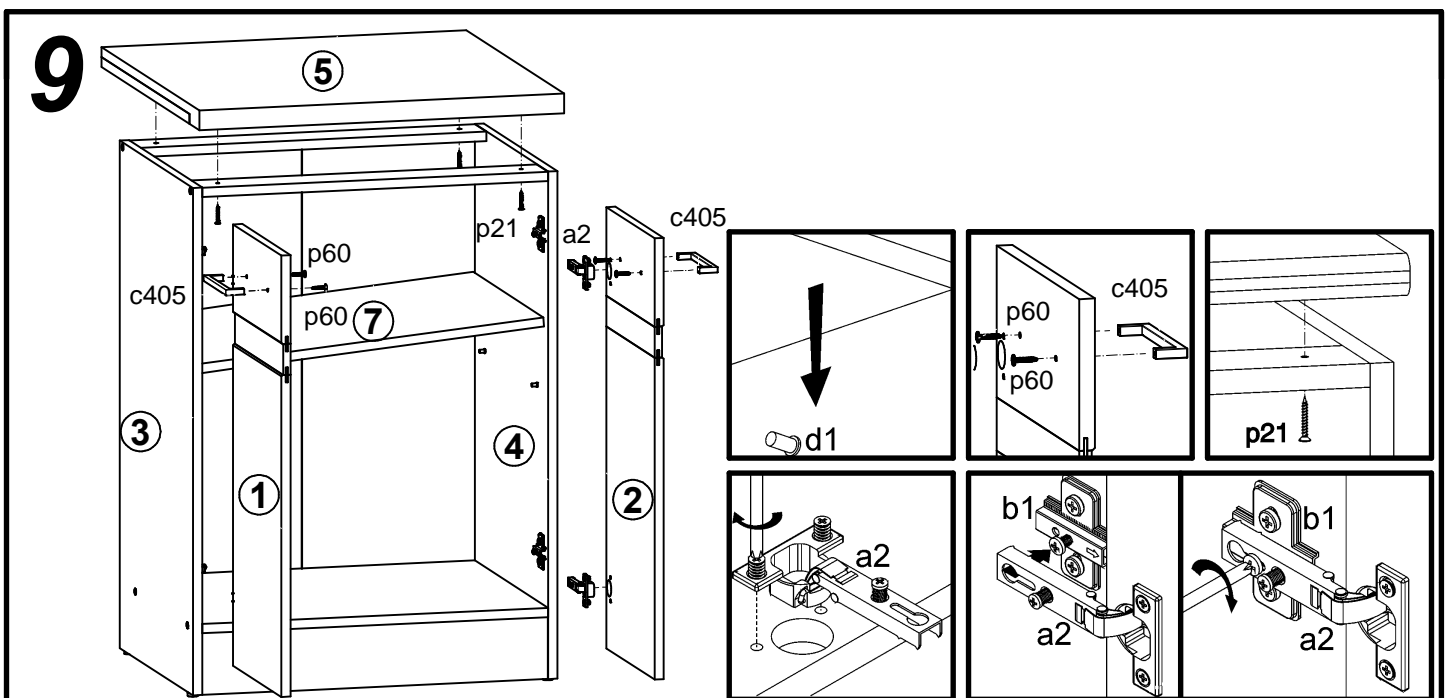
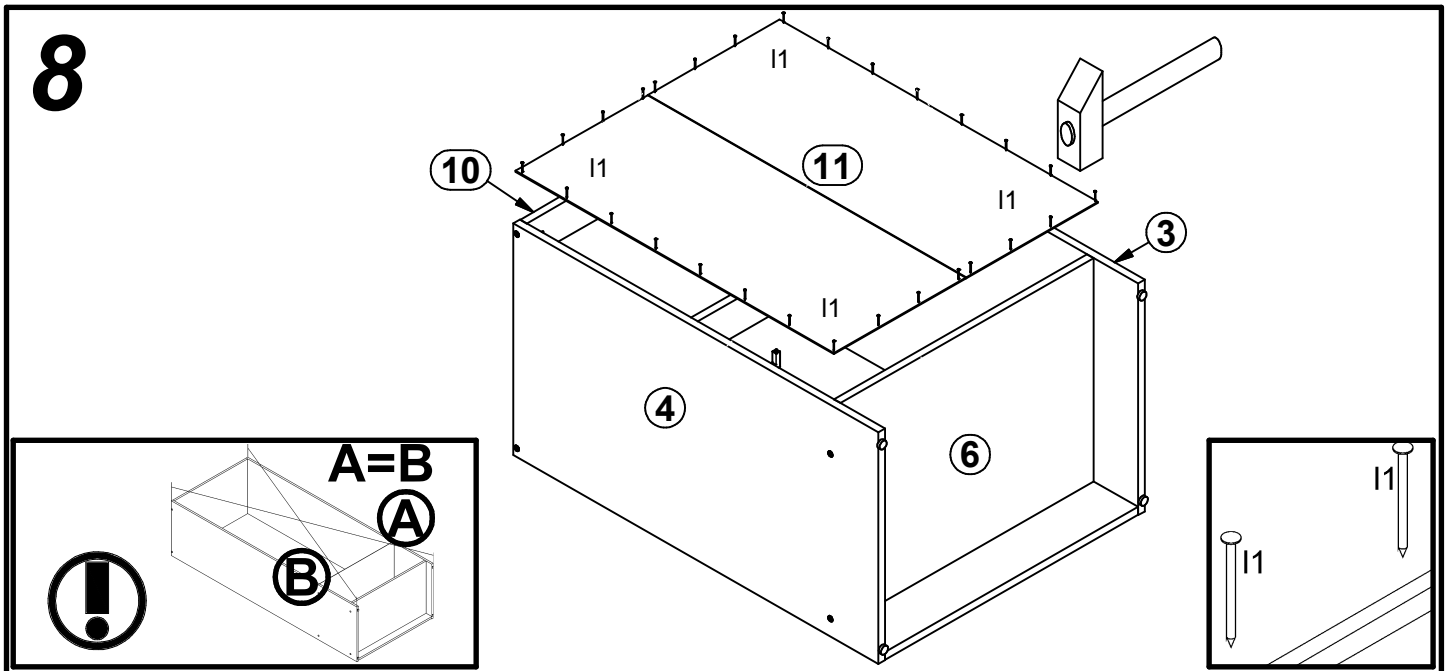
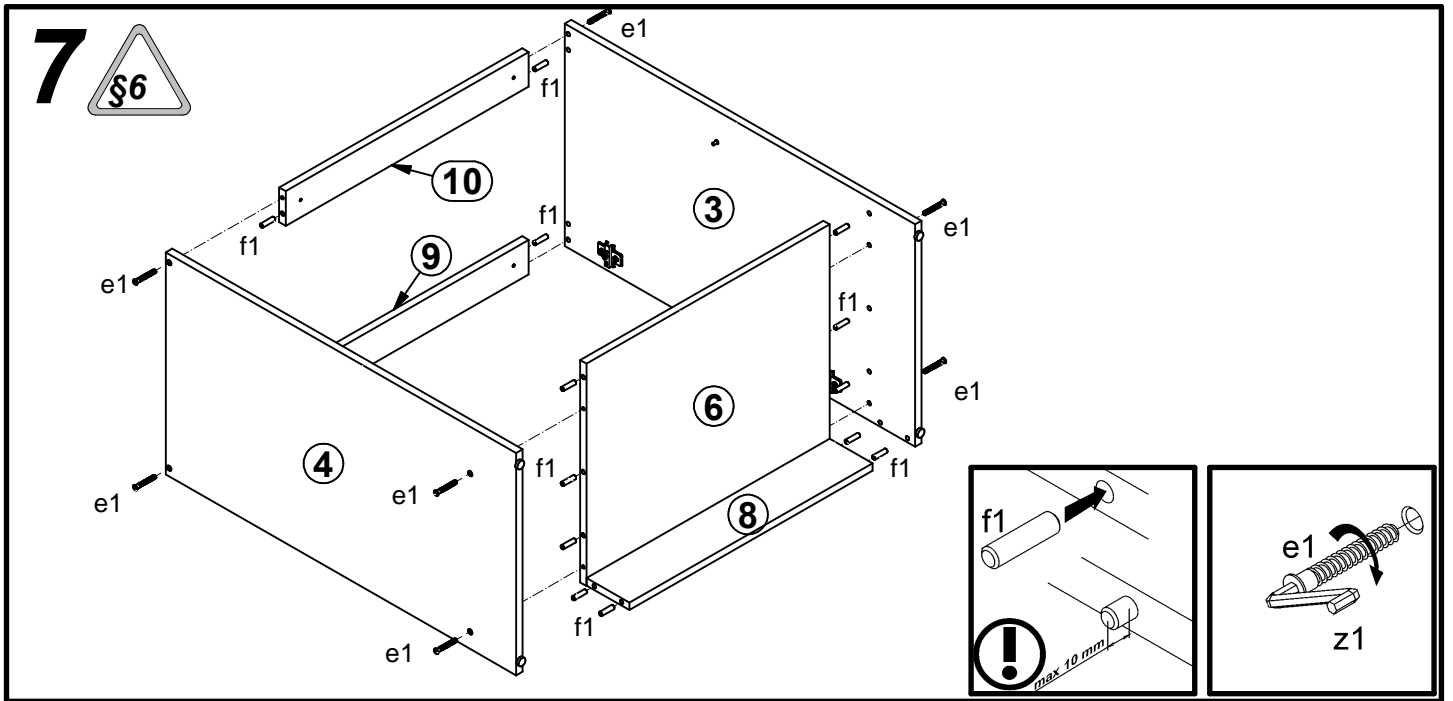


| A | B | C | D | |
|----|---------|-----|-----|-----|
| 1 | K24-026 | 296 | 713 | 7/8 |
| 2 | K24-027 | 296 | 713 | 7/8 |
| 3 | K24-107 | 820 | 450 | 1/8 |
| 4 | K24-108 | 820 | 450 | 1/8 |
| 5 | K24-206 | 600 | 600 | 5/8 |
| 6 | K24-341 | 569 | 450 | 2/8 |
| 7 | K24-342 | 568 | 430 | 2/8 |
| 8 | K24-423 | 569 | 100 | 3/8 |
| 9 | K24-424 | 569 | 70 | 3/8 |
| 10 | K24-425 | 569 | 70 | 3/8 |
| 11 | K22-926 | 715 | 593 | 1/8 |

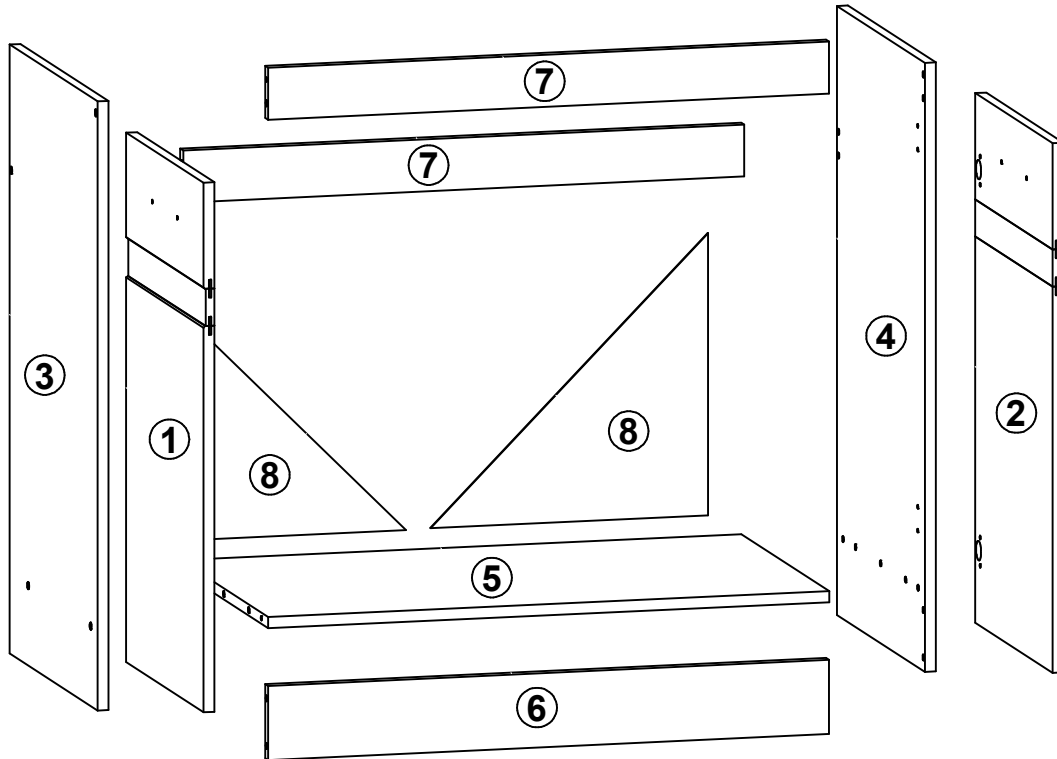
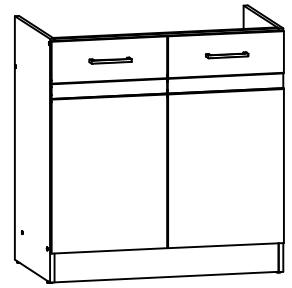


6

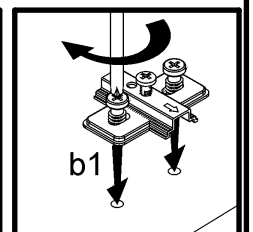
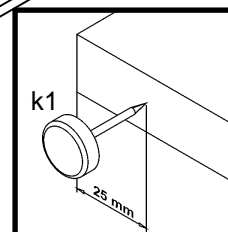
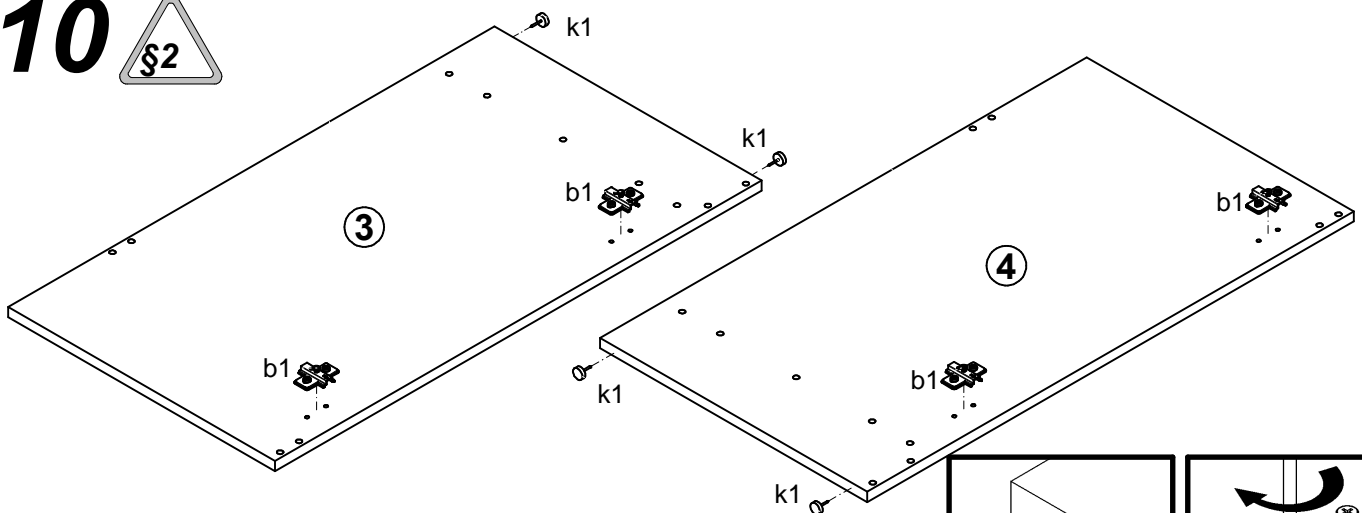




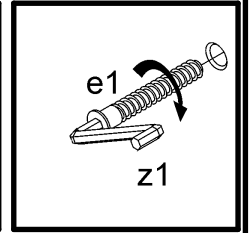
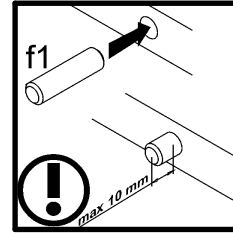
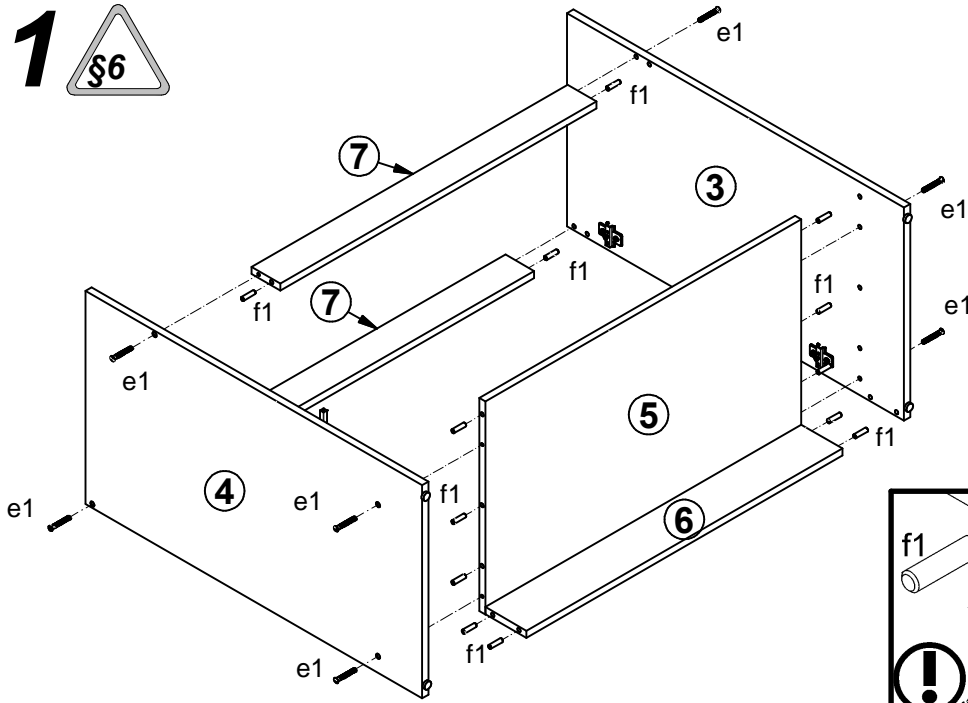
| A | B | C | D |
|---|---------|-----|-----|
| 1 | K24-020 | 396 | 713 |
| 2 | K24-021 | 396 | 713 |
| 3 | K24-116 | 820 | 450 |
| 4 | K24-117 | 820 | 450 |
| 5 | K24-327 | 769 | 450 |
| 6 | K24-417 | 769 | 100 |
| 7 | K24-418 | 769 | 70 |
| 8 | K22-918 | 380 | 380 |



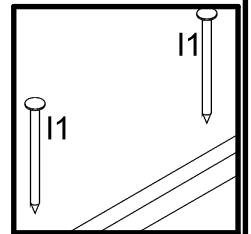
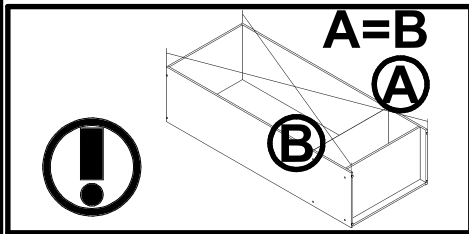
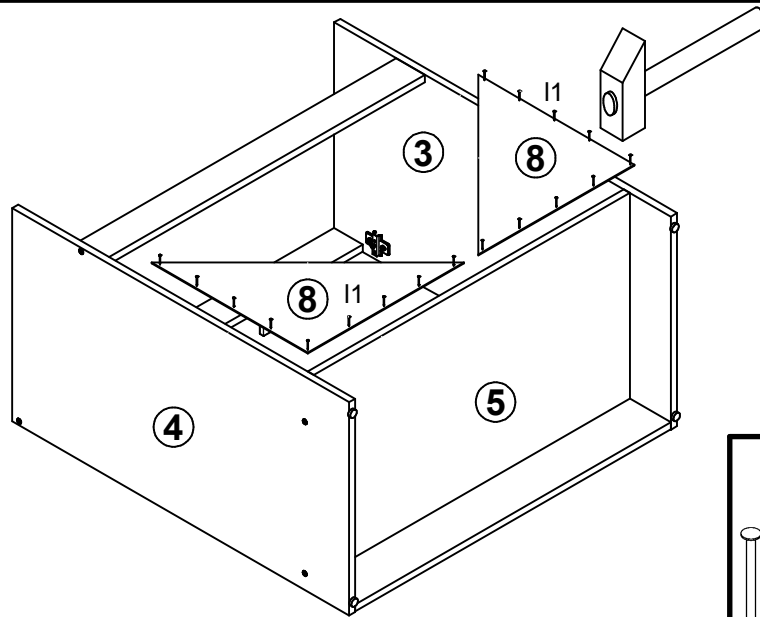
10



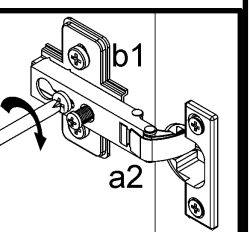
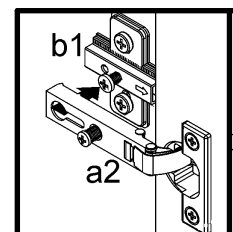
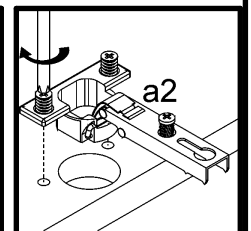
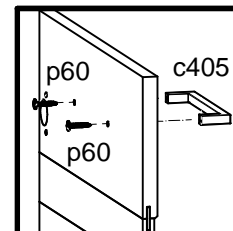
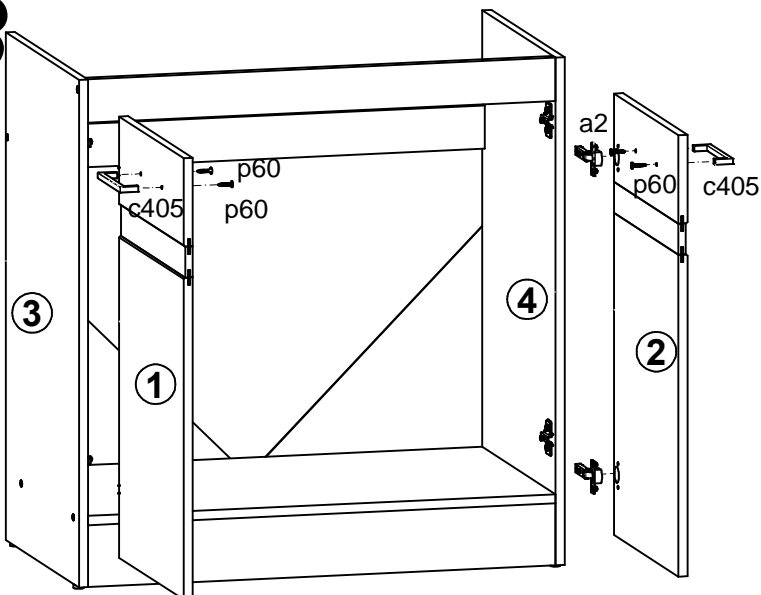
11



12

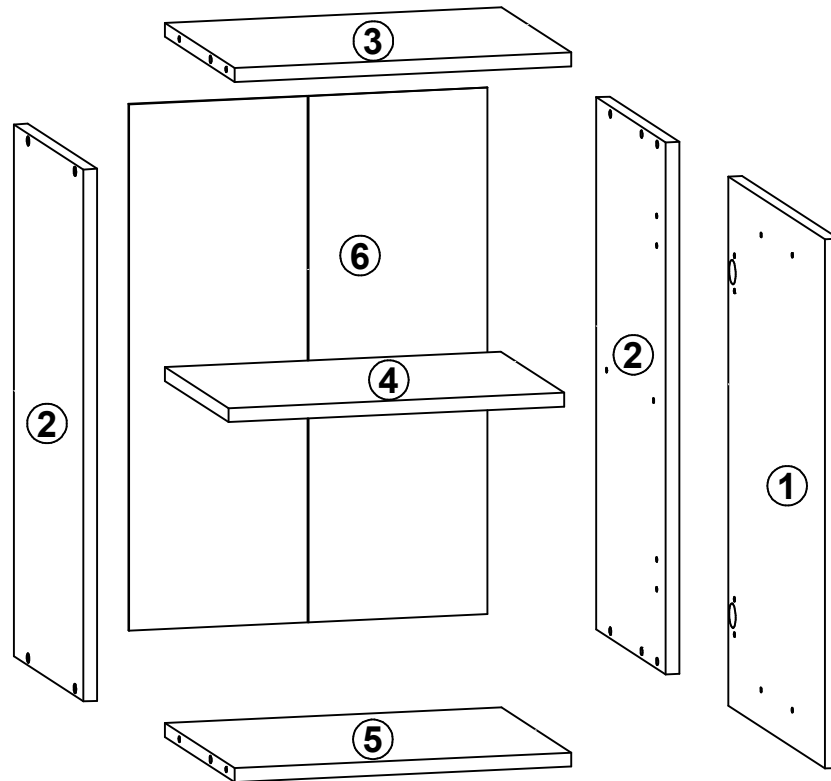
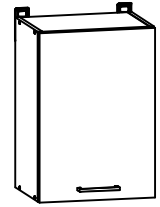
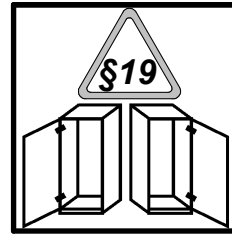


13

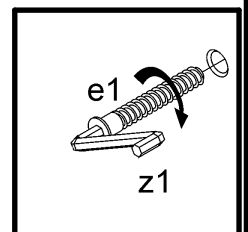
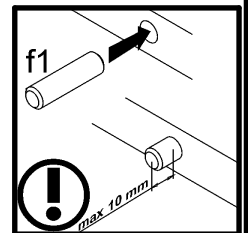
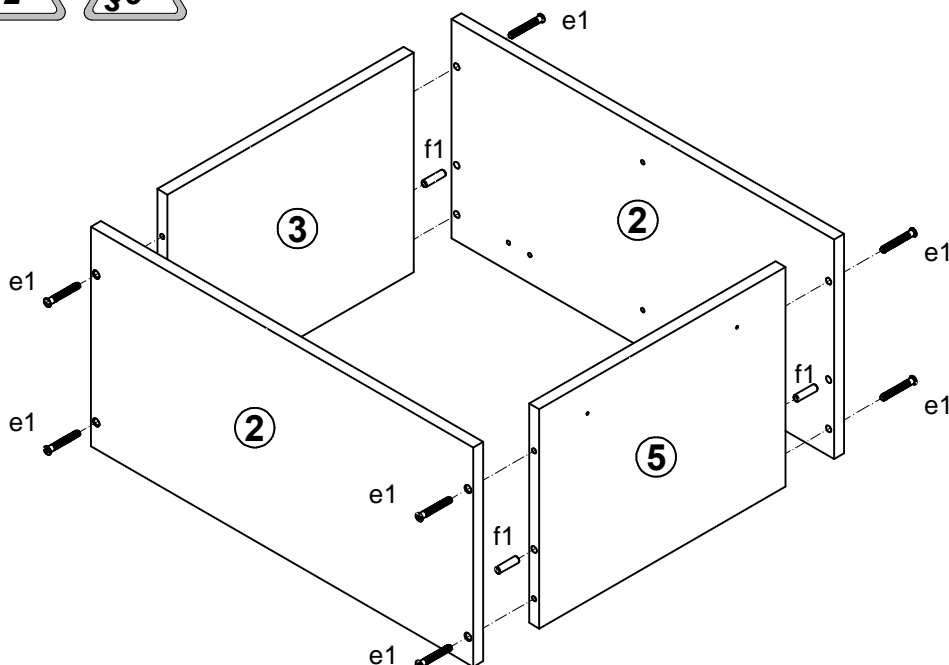


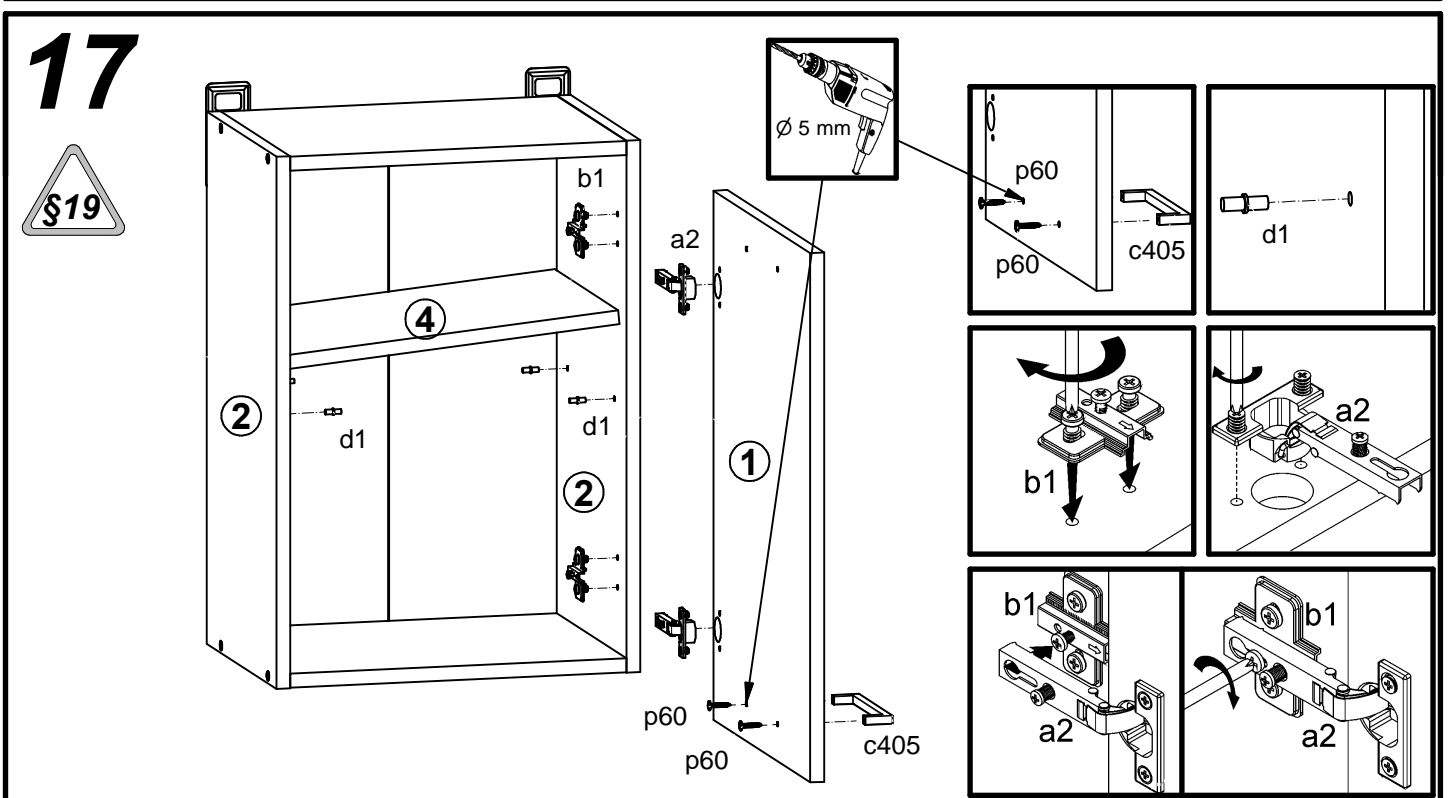
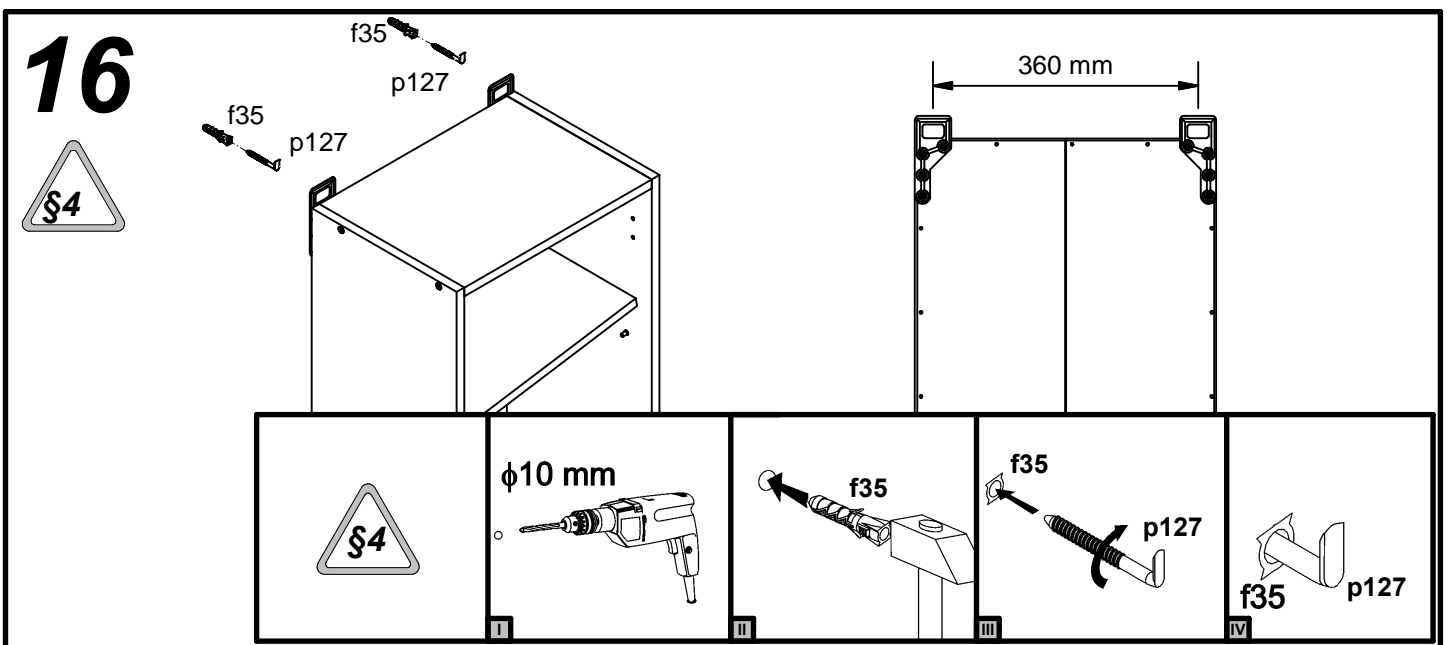
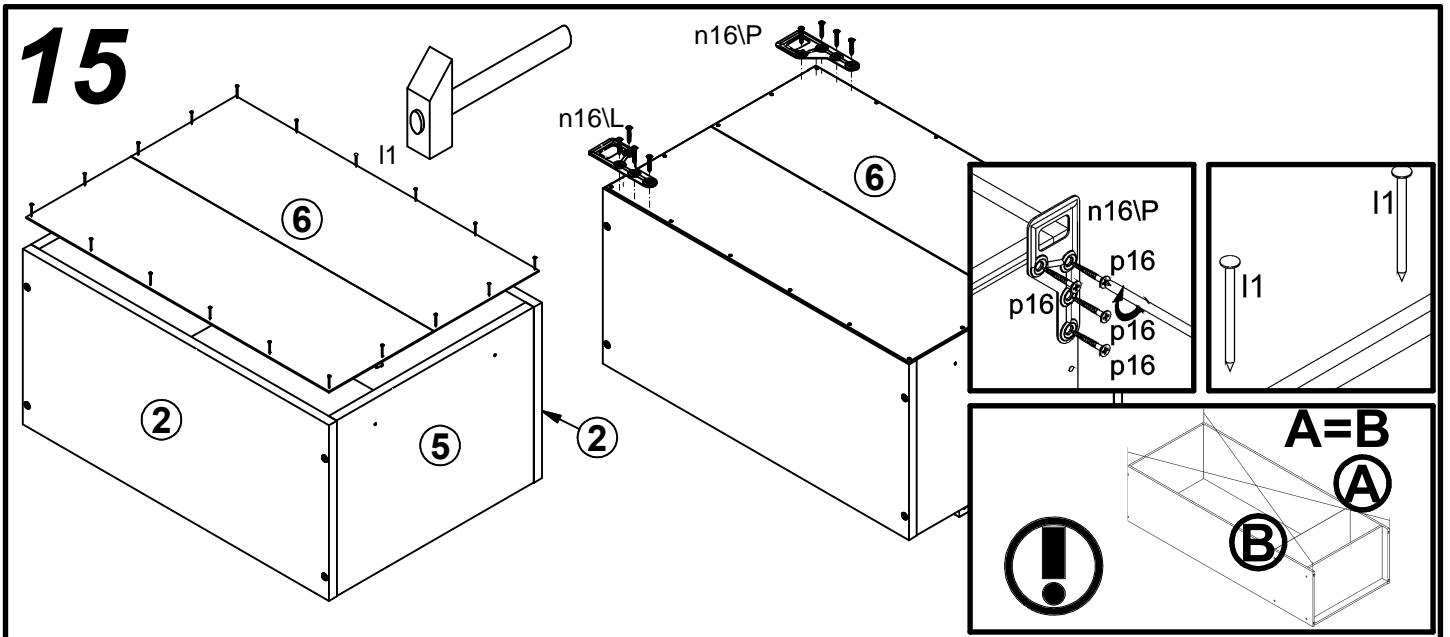
K24-G1D/40/57-LP

| A | B | C | D |
|---|---------|-----|-----|
| 1 | K24-029 | 396 | 570 |
| 2 | K24-101 | 573 | 285 |
| 3 | K24-311 | 369 | 285 |
| 4 | K24-312 | 368 | 260 |
| 5 | K24-323 | 369 | 285 |
| 6 | K22-908 | 567 | 393 |

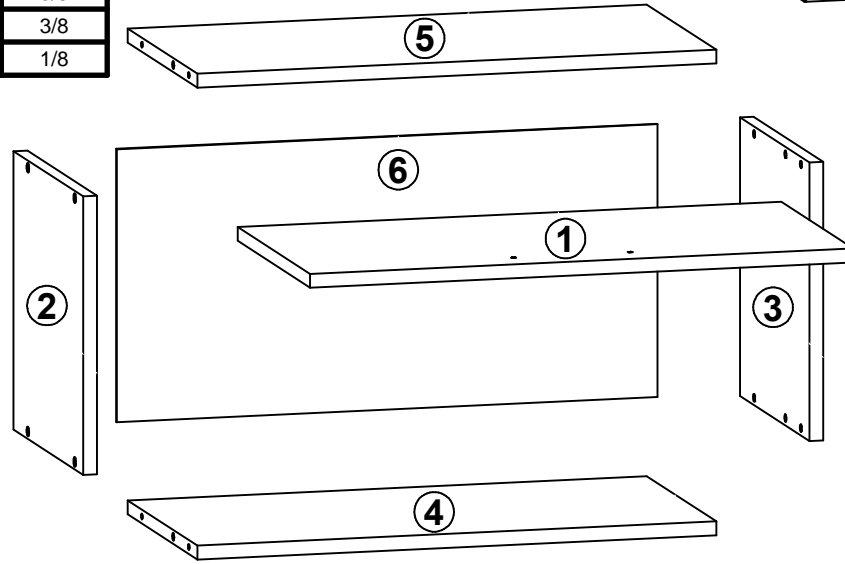
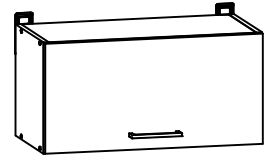


14

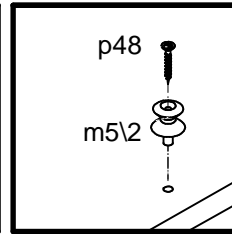
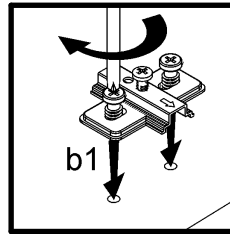
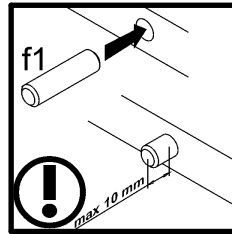
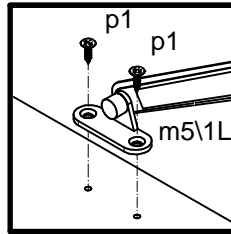
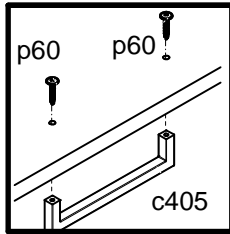
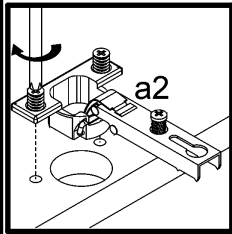
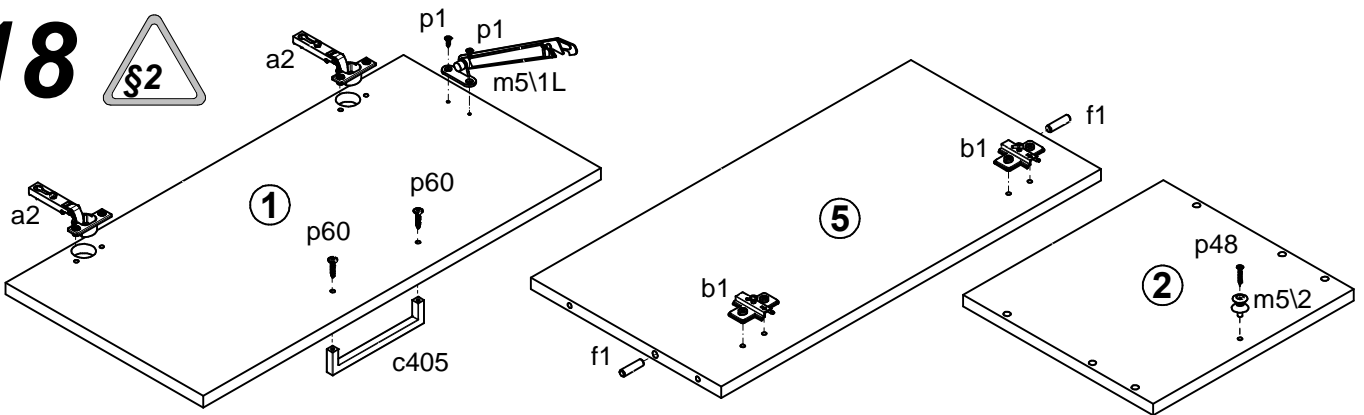




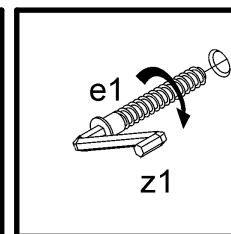
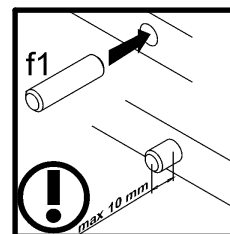
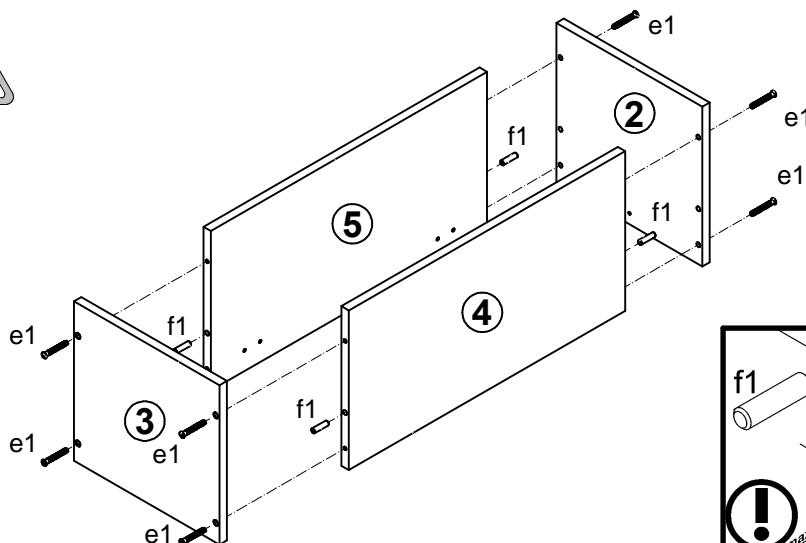
| A | B | C | D | |
|---|---------|-----|-----|-----|
| 1 | K24-019 | 596 | 296 | 8/8 |
| 2 | K24-118 | 300 | 285 | 4/8 |
| 3 | K24-119 | 300 | 285 | 4/8 |
| 4 | K24-330 | 569 | 285 | 3/8 |
| 5 | K24-331 | 569 | 285 | 3/8 |
| 6 | K22-920 | 593 | 294 | 1/8 |

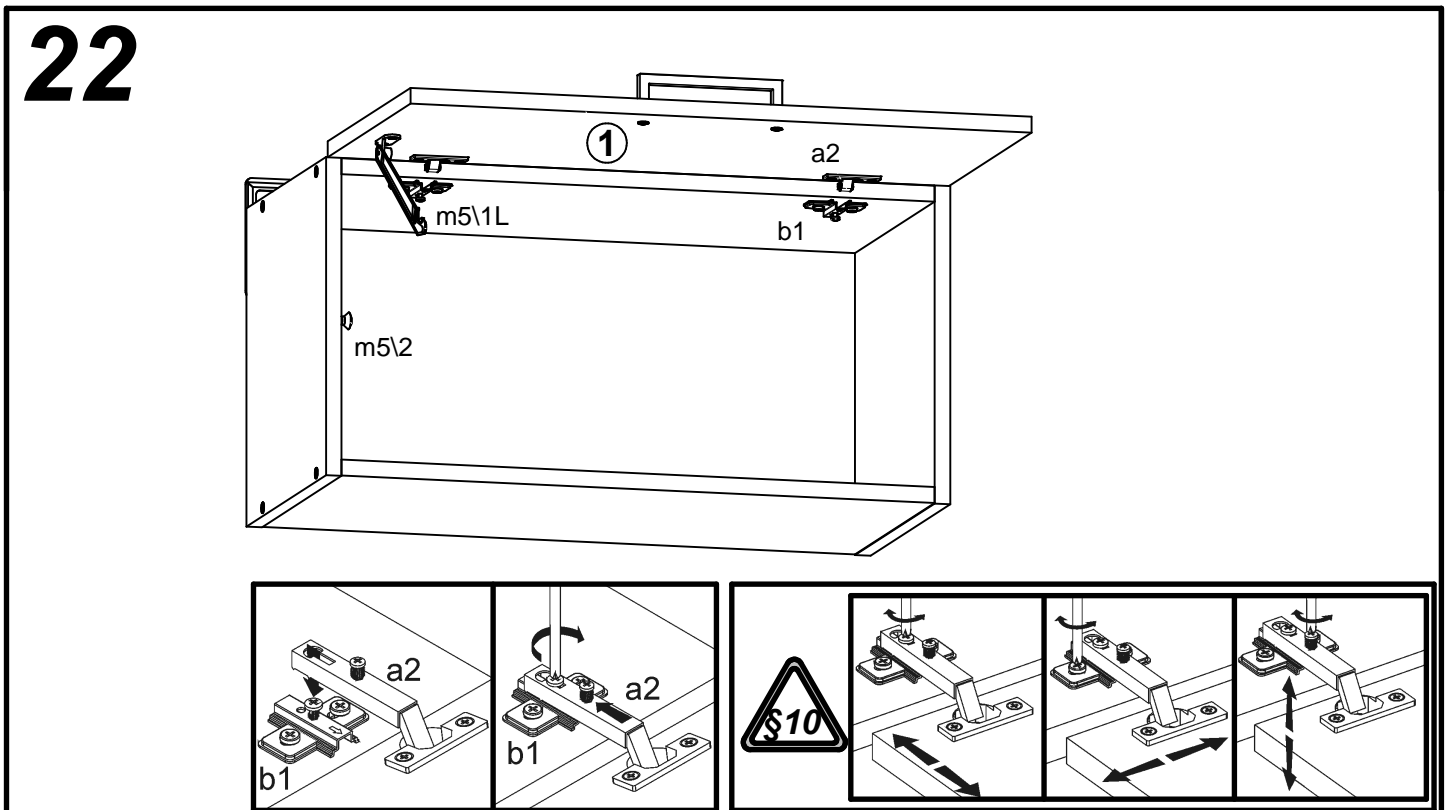
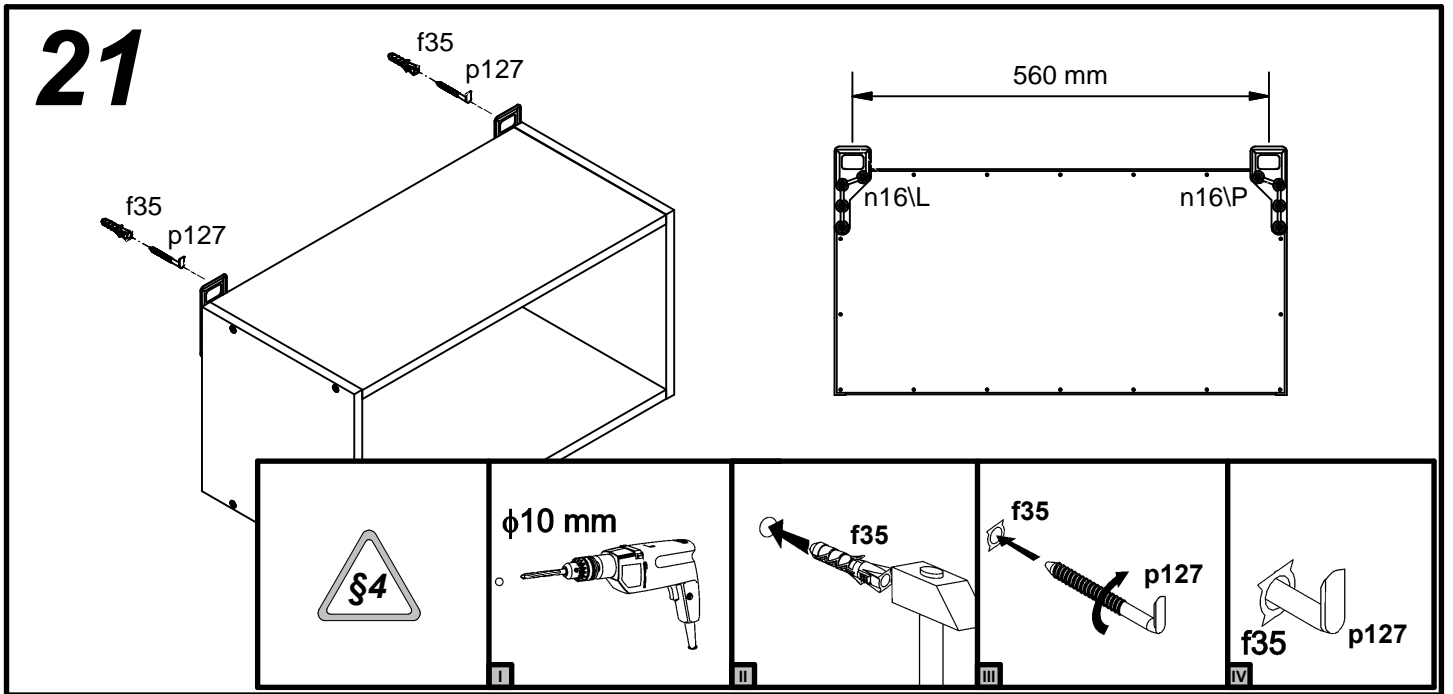
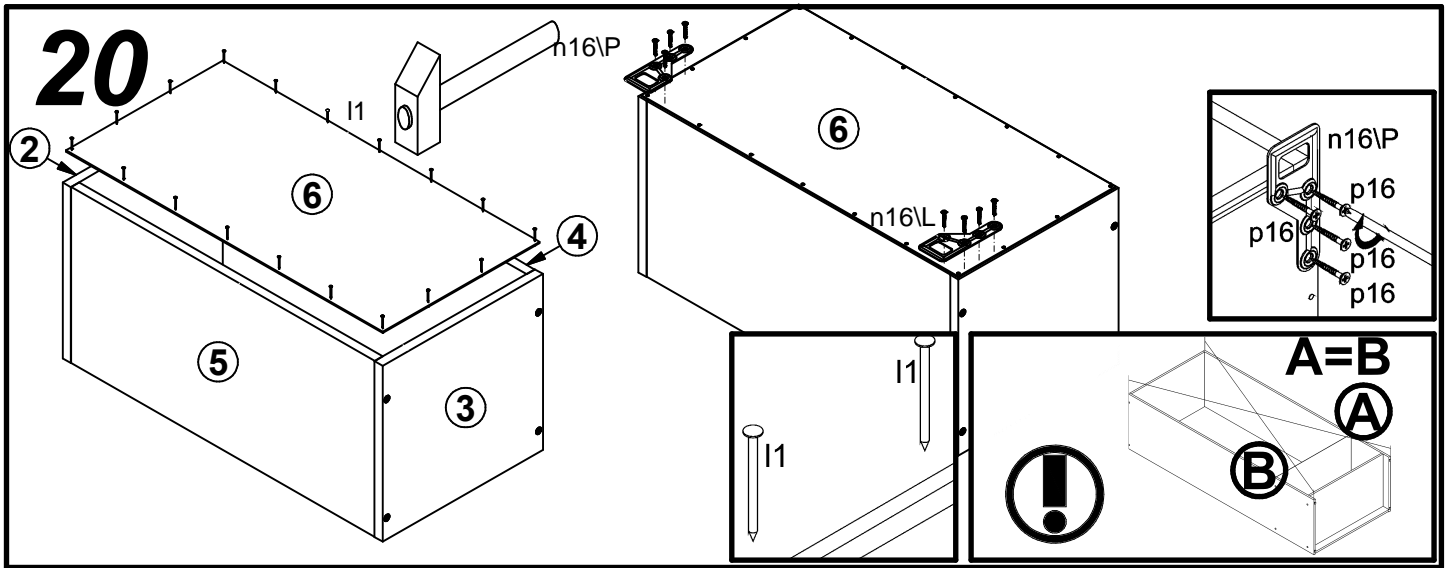


18

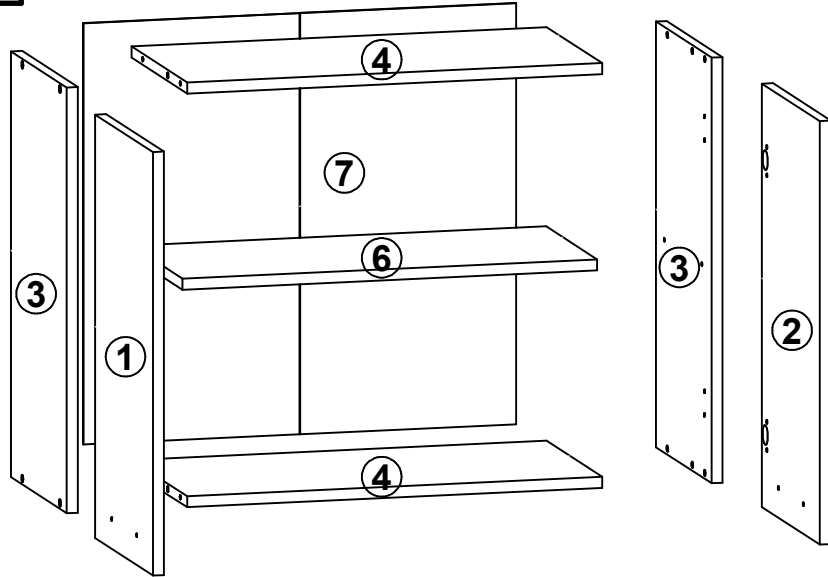
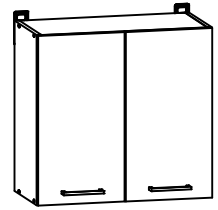


19

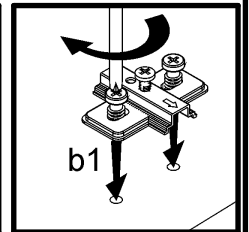
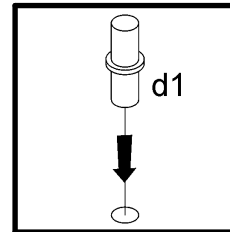
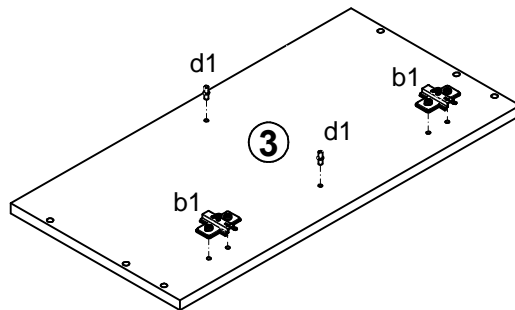




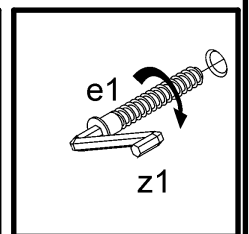
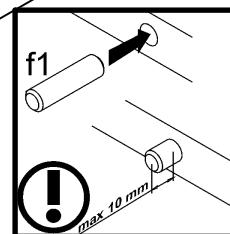
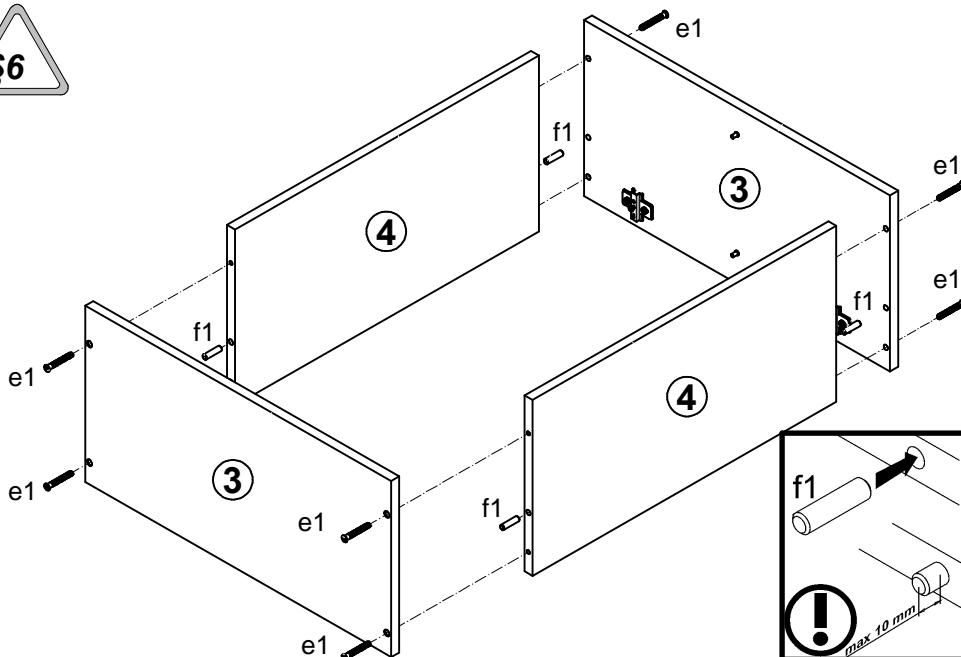
| A | B | C | D |
|---|---------|-----|---------|
| 1 | K24-037 | 296 | 570 8/8 |
| 2 | K24-038 | 296 | 570 8/8 |
| 3 | K24-101 | 573 | 285 3/8 |
| 4 | K24-330 | 569 | 285 3/8 |
| 6 | K24-344 | 568 | 260 3/8 |
| 7 | K22-927 | 567 | 593 1/8 |



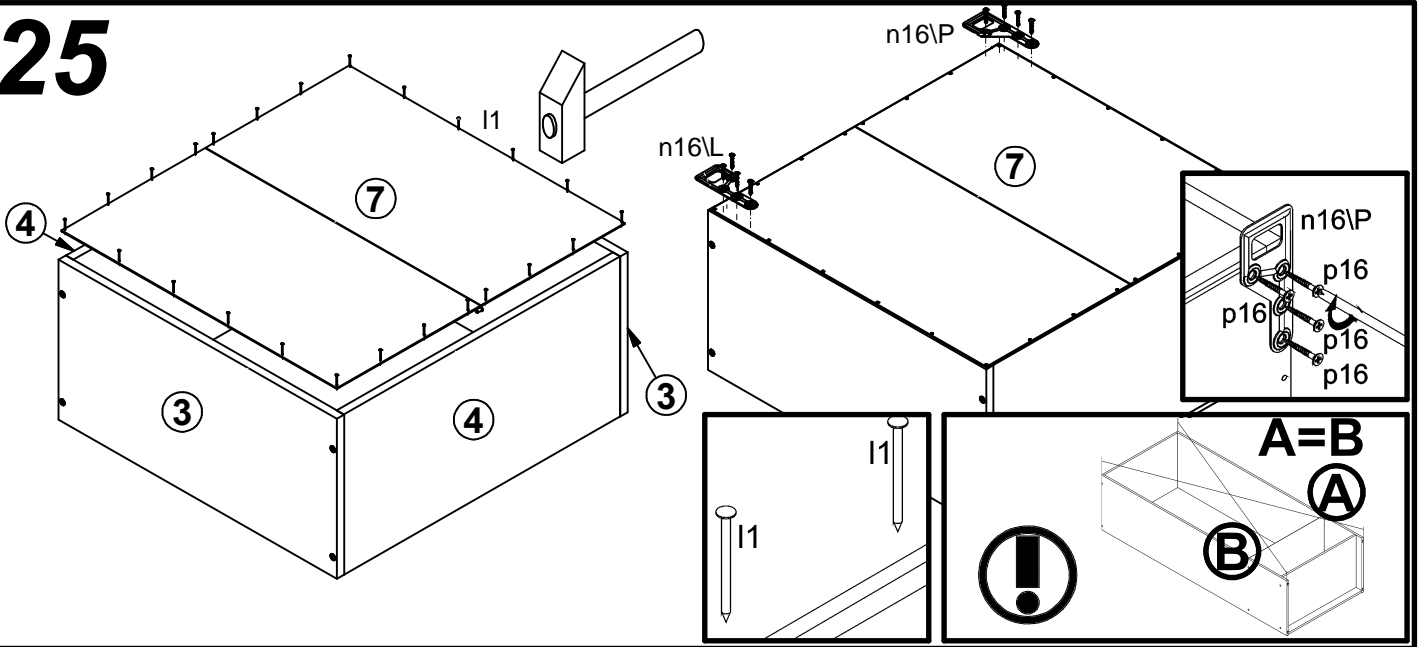
23



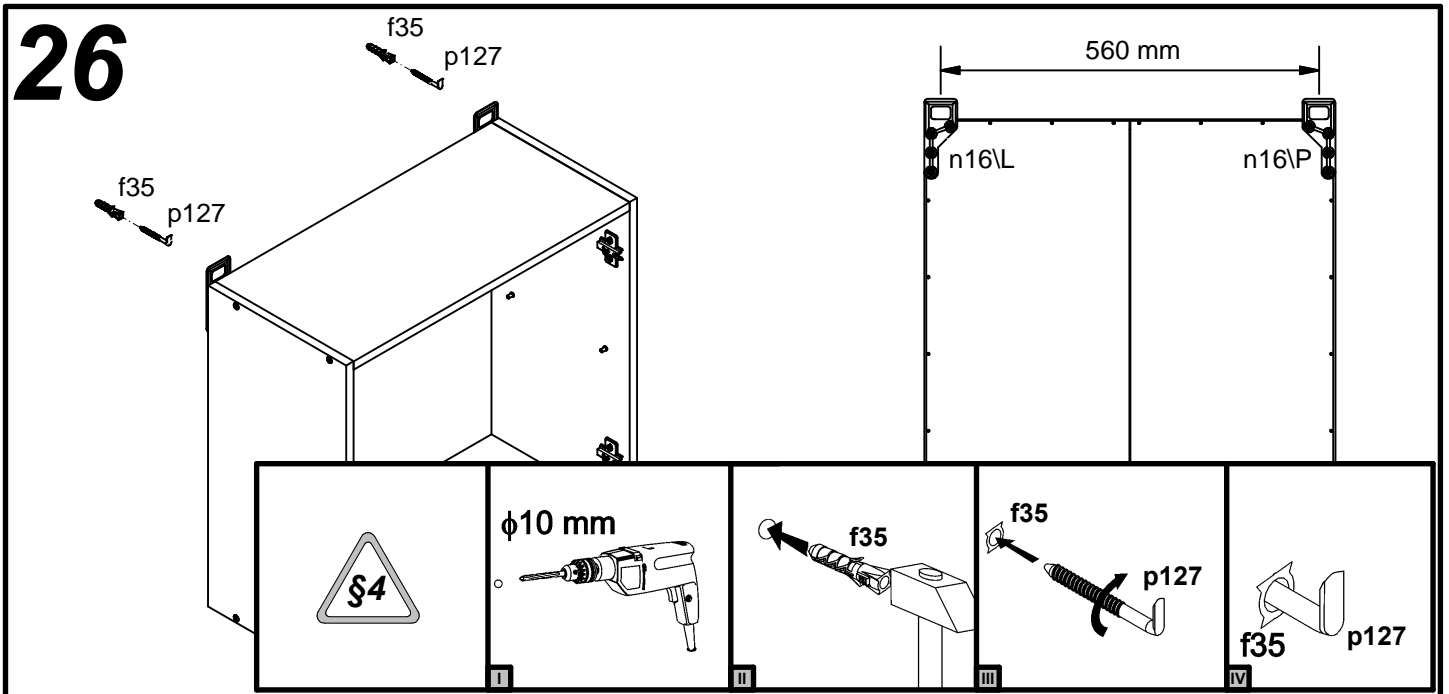
24



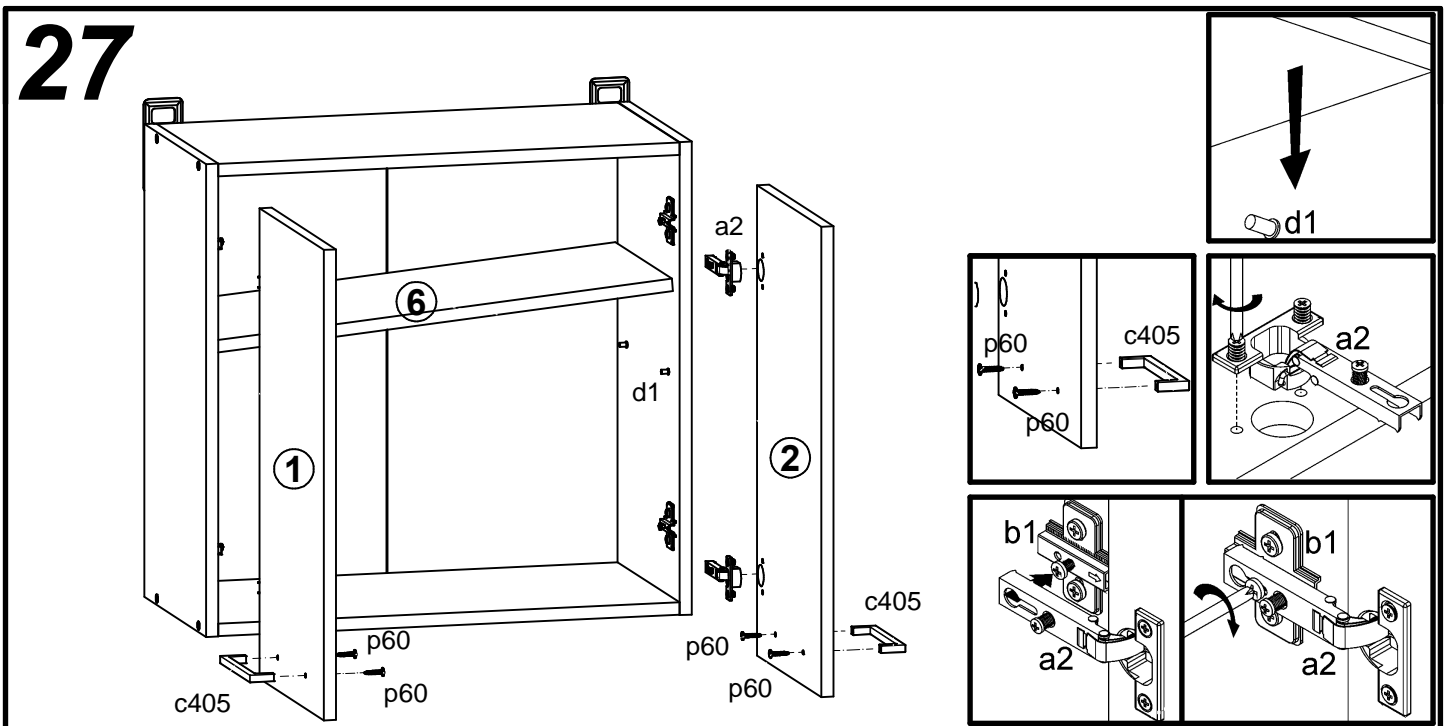
25



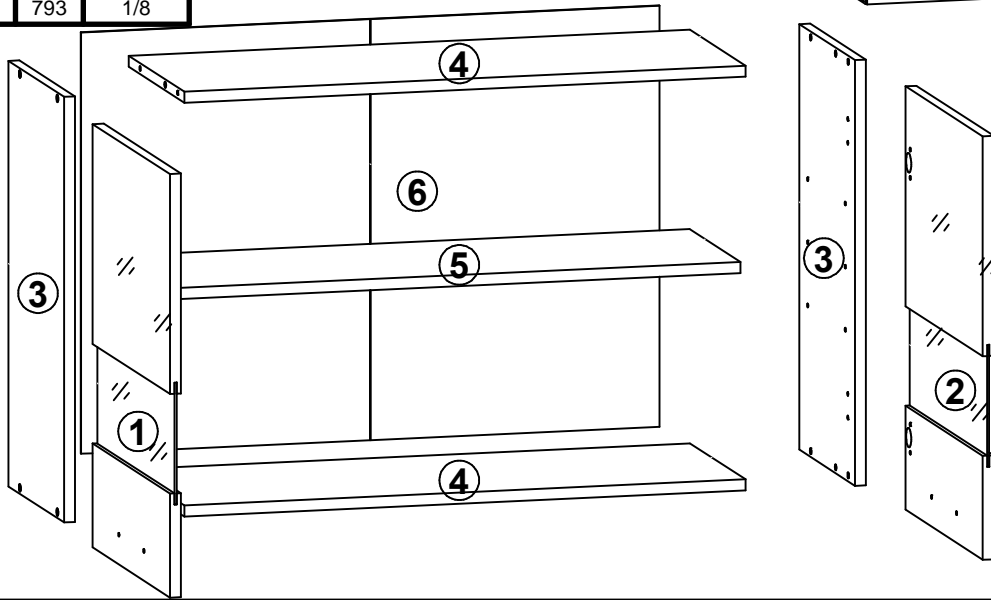
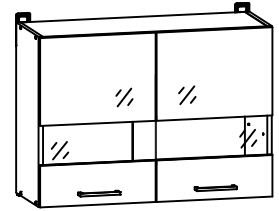
26



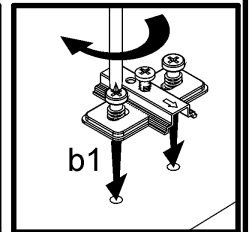
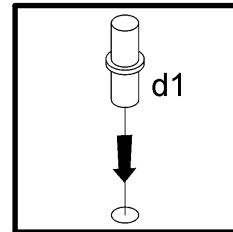
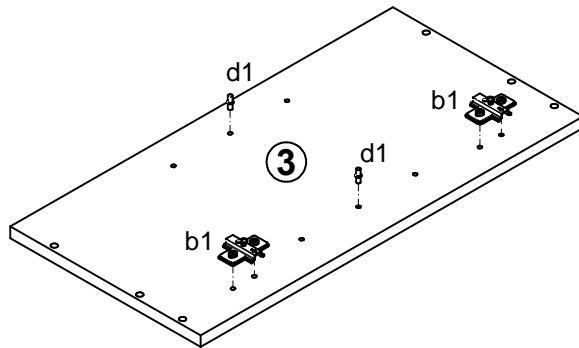
27



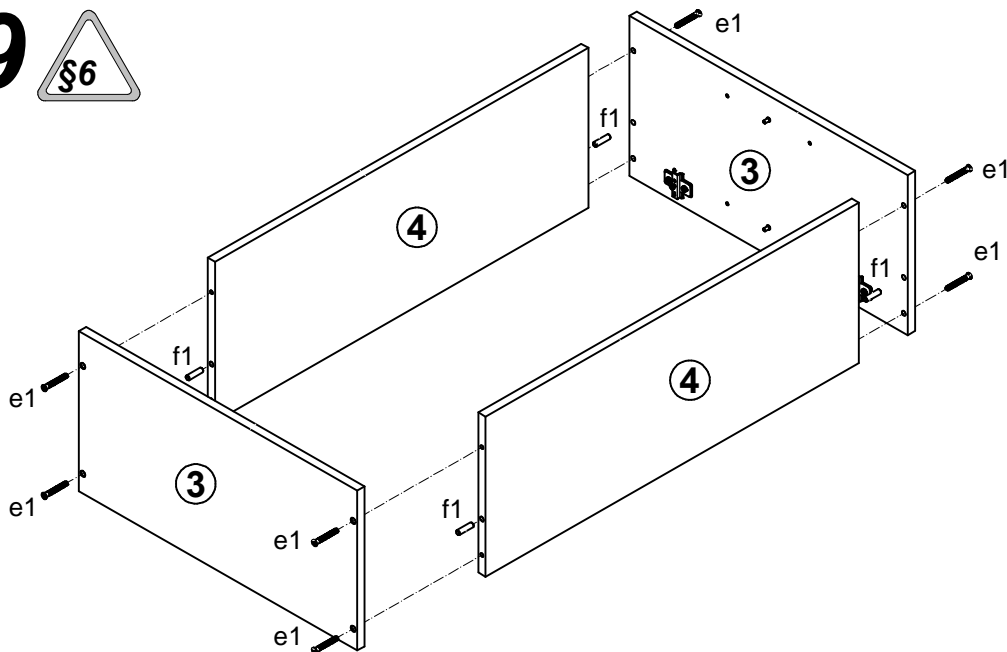
| A | B | C | D |
|---|---------|-----|-----|
| 1 | K24-017 | 396 | 570 |
| 2 | K24-018 | 396 | 570 |
| 3 | K24-120 | 573 | 285 |
| 4 | K24-328 | 769 | 285 |
| 5 | K24-329 | 768 | 260 |
| 6 | K22-928 | 567 | 793 |



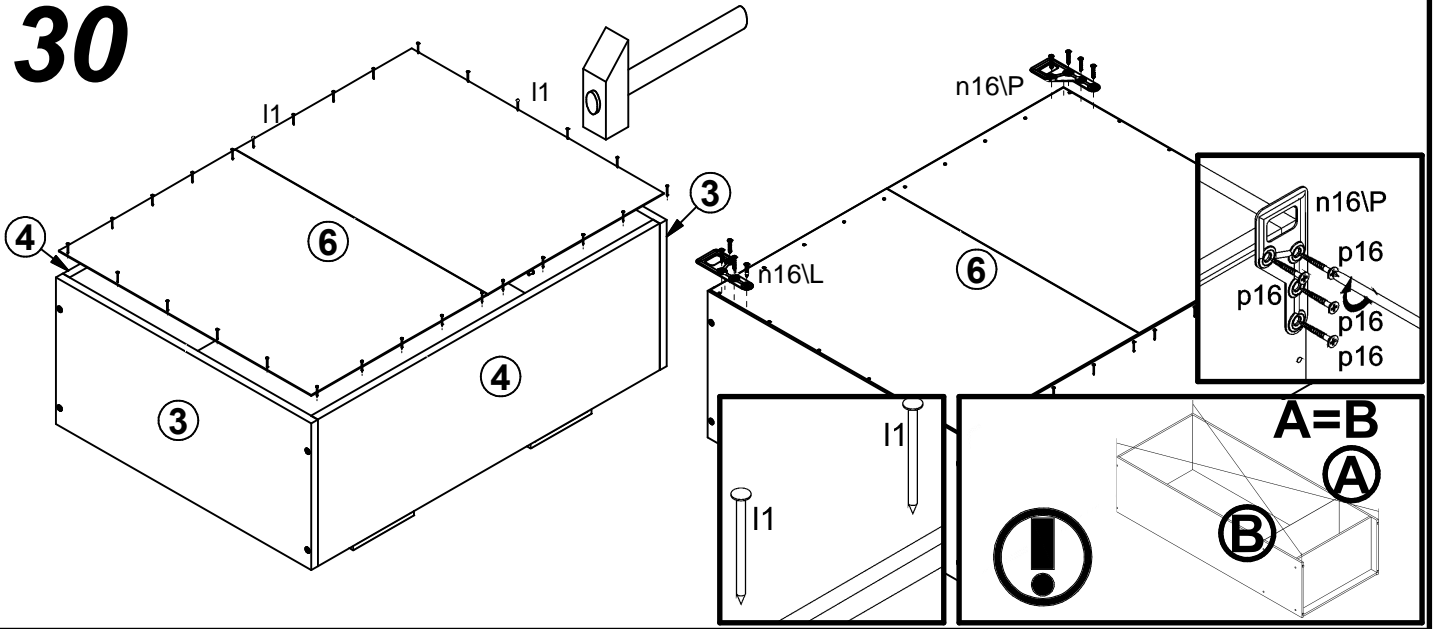
28



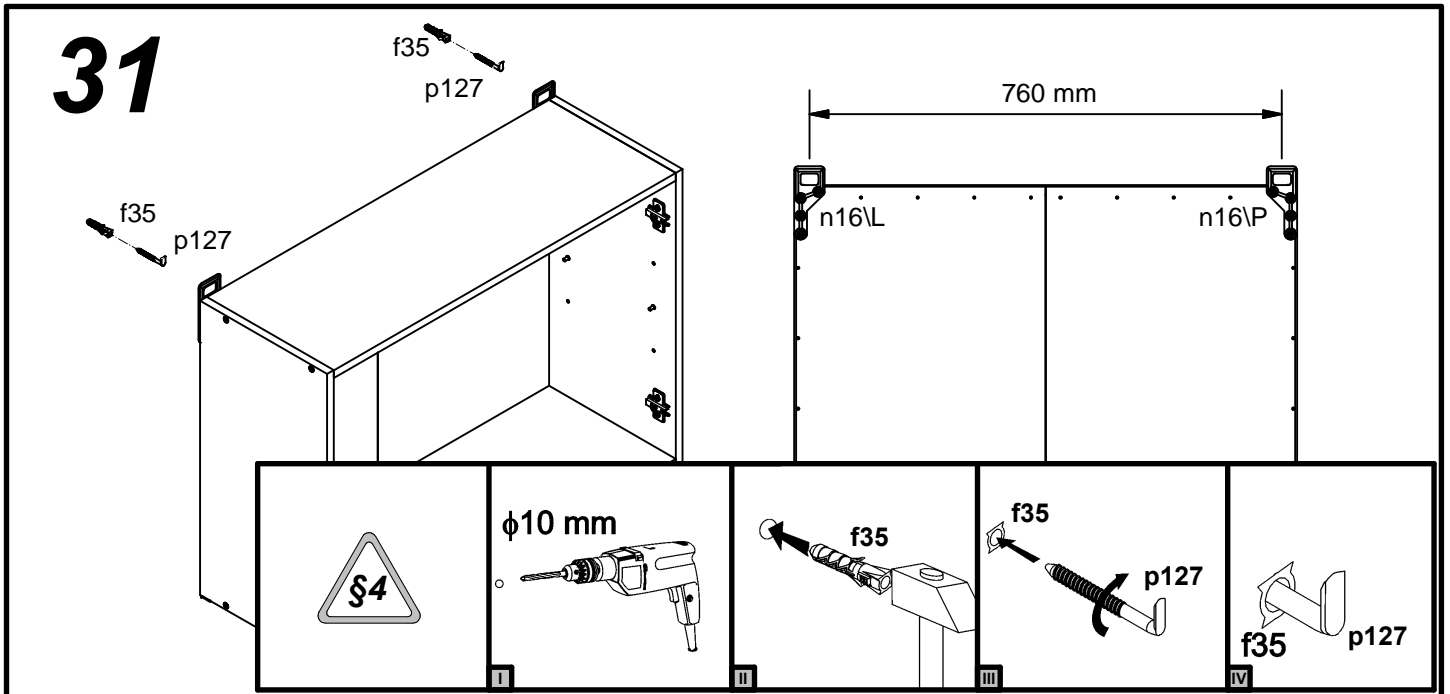
29



30



31



32

