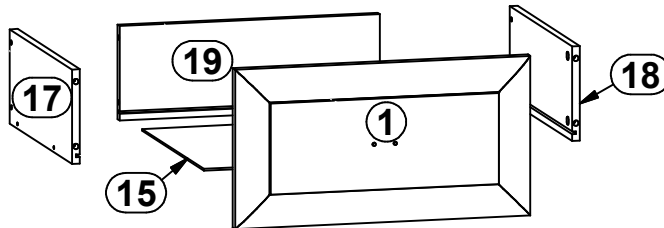
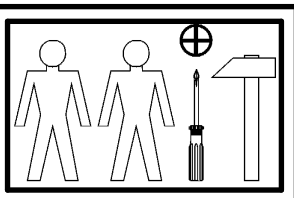
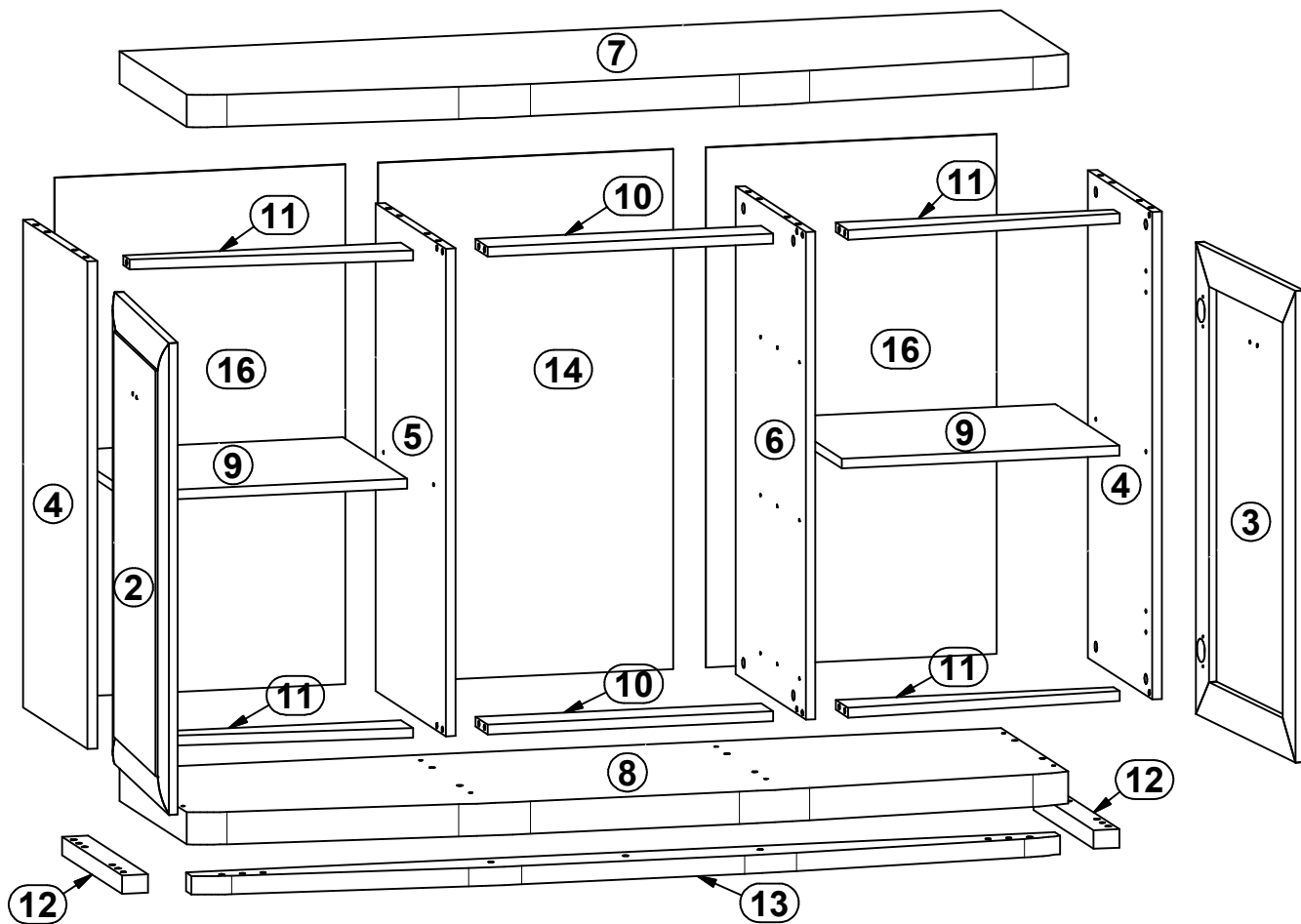
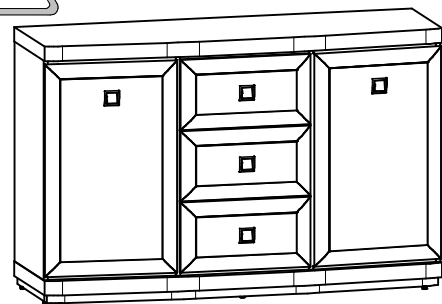


# OREGON

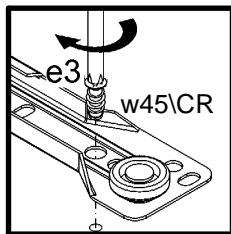
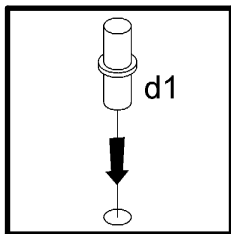
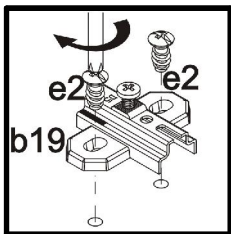
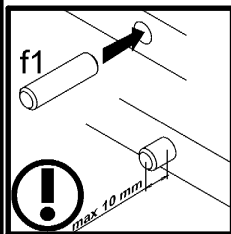
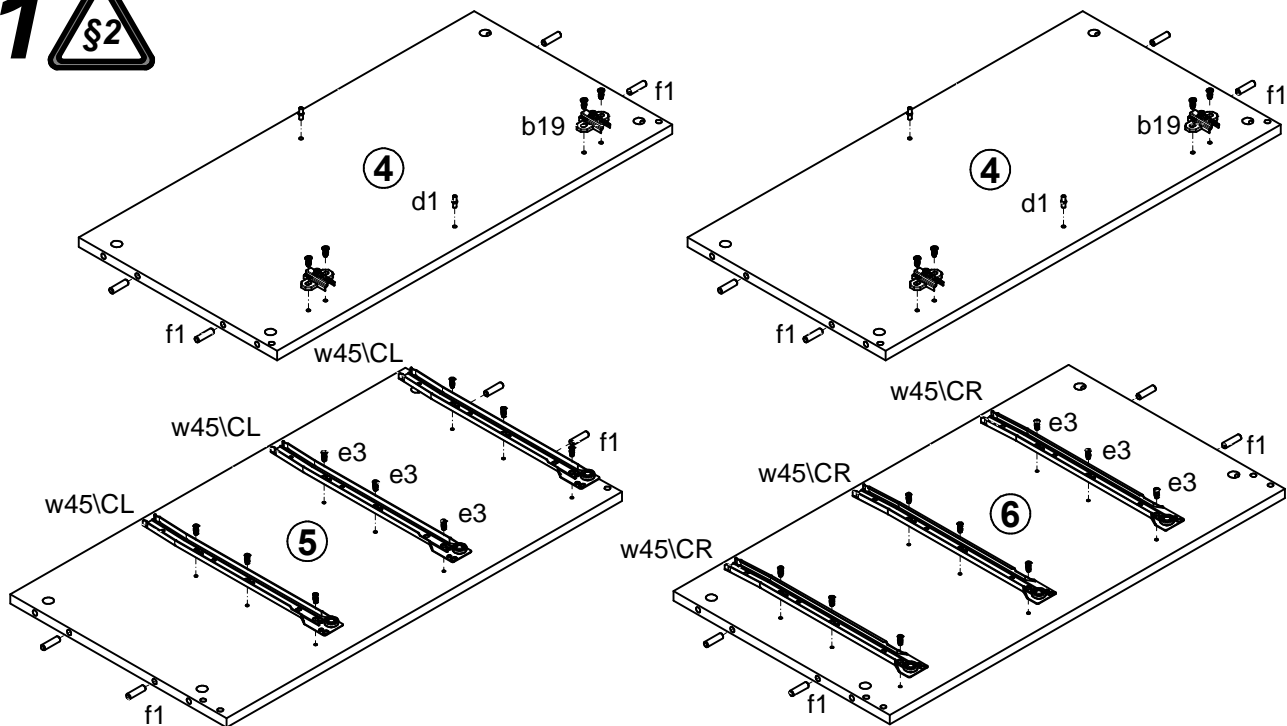
## S157-KOM2D3S

A	B	C	D	A	B	C	D	
1	S157-003	445	236	4/4	11	S157-403	429, 70	2/4
2	S157-004	716	445	3/4	12	S157-502	346	40
3	S157-005	716	445	3/4	13	S157-504	1342	74
4	S157-105	740	371	1/4	14	S157-905	789	456
5	S157-107	740	405	1/4	15	S157-906	403	347
6	S157-108	740	405	1/4	16	S157-907	789	449
7	S157-205	1362	430	1/4	17	ZS2-531	350	140
8	S157-206	1362	430	1/4	18	ZS2-532	350	140
9	S157-302	429	370	2/4	19	ZS2-5586	392	140
10	S157-402	441	70	1/4				

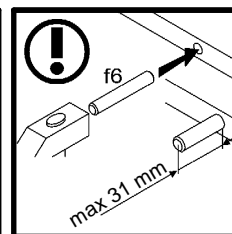
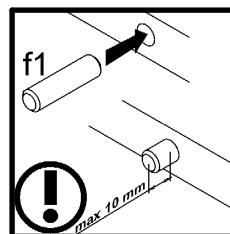
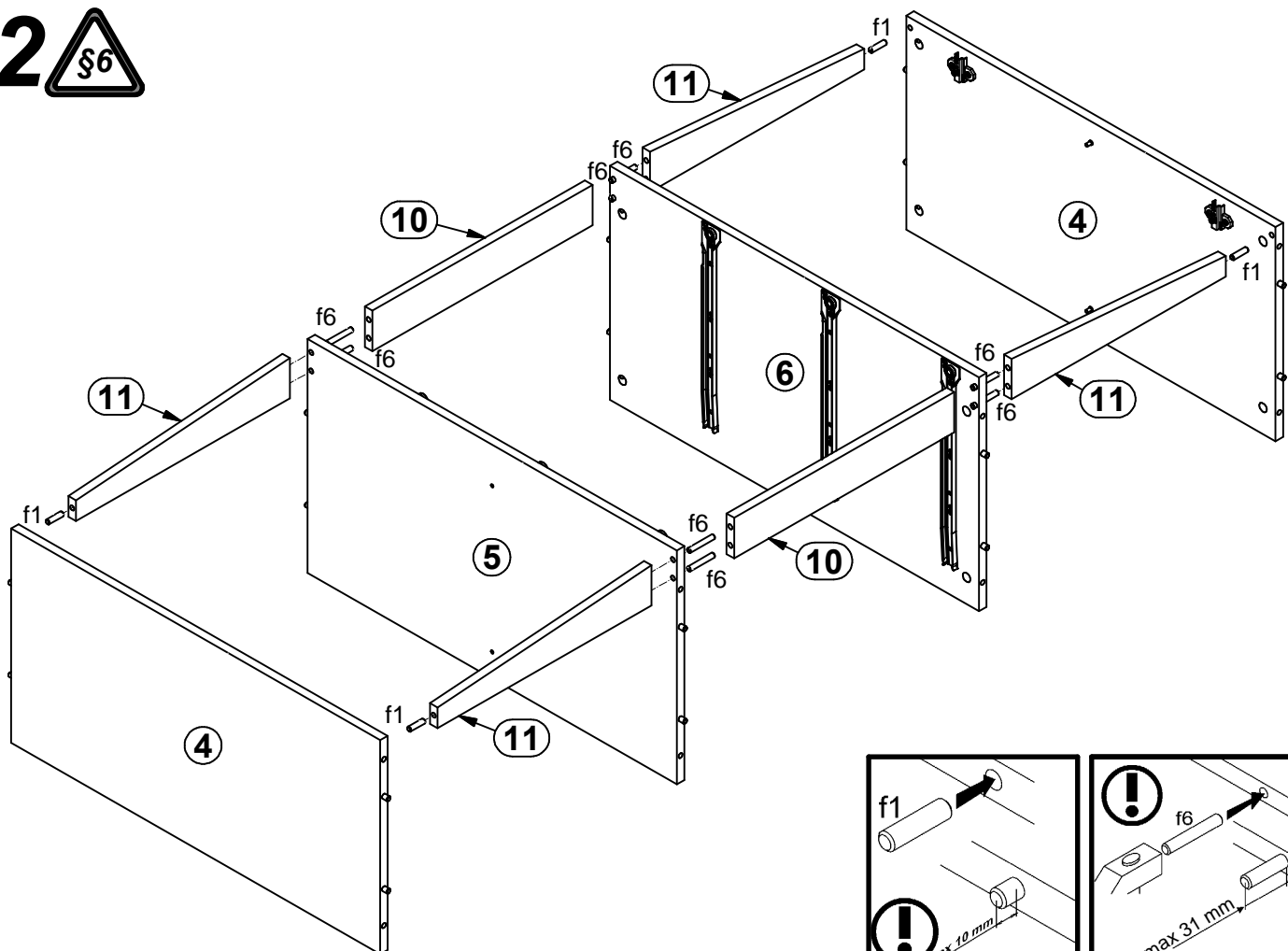


4x  a44	4x  b19	5x  c333	8x  Ø5x17 mm d1	8x  Ø7x50 mm e1	12x  Ø5x9 mm e19	8x  Ø6.3x13 mm e2	18x  Ø6x13 mm e3	26x  Ø8x30 mm f1
12x  Ø6.5x40 mm f25	8x  Ø8x50 mm f6	10x  M4x18 mm j59	5x  M6/Ø14x14 mm k39 2	5x  M6/22 mm k39 3	90x  l1	8x  Ø3.5x15 mm p51	16x  Ø15x12 mm #16 r1	12x  Ø12x10.5 mm #12 r15
28x  r42	3x  350 mm w45 CL	3x  350 mm w45 CR	3x  350 mm w45 DL	3x  350 mm w45 DR	10x  Ø16 s2	1x  z1	1x  n26 1	1x  Ø3.5x16 mm p38

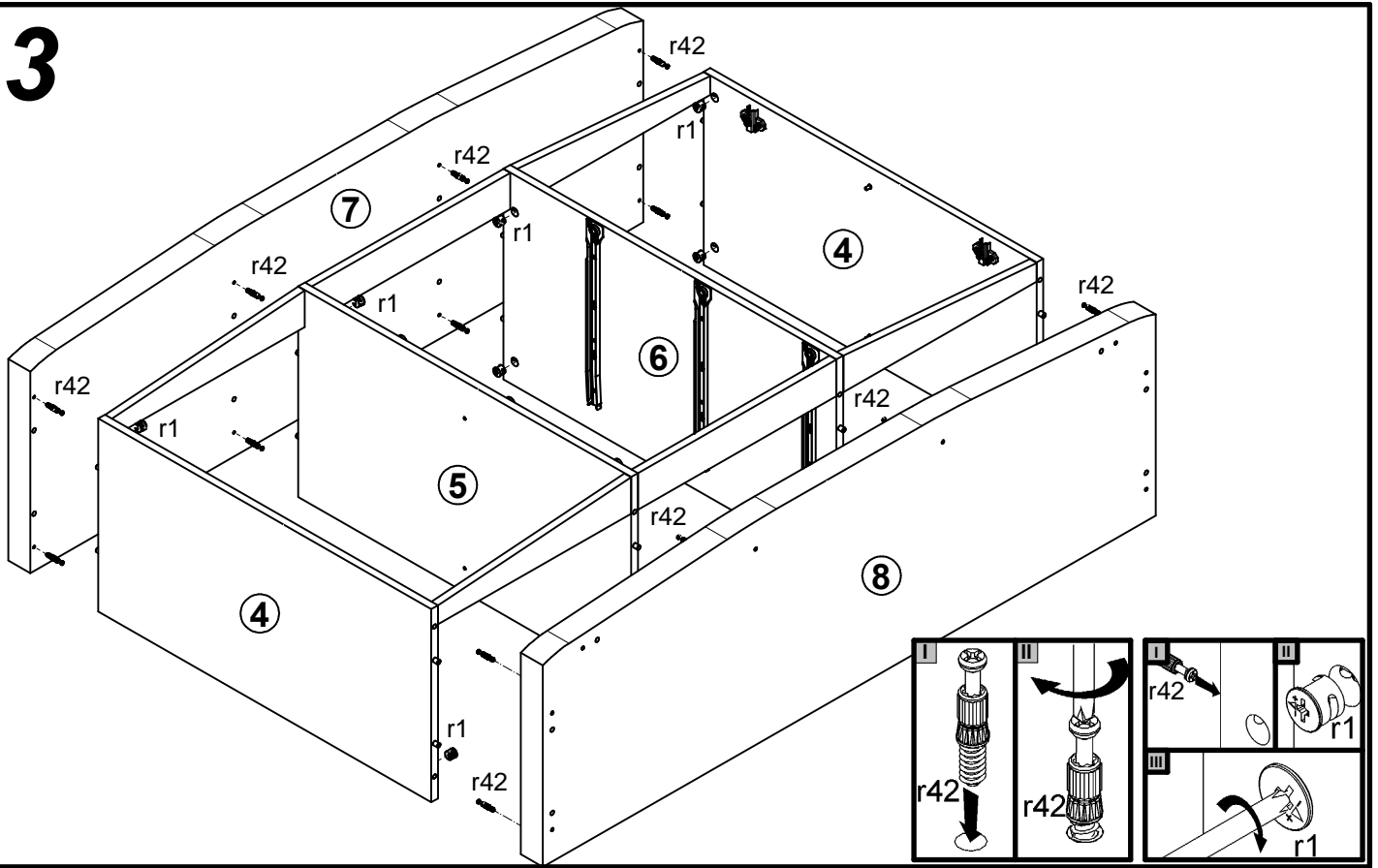
# 1



# 2



# 3



# 4

