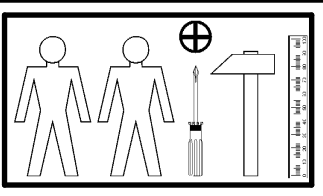
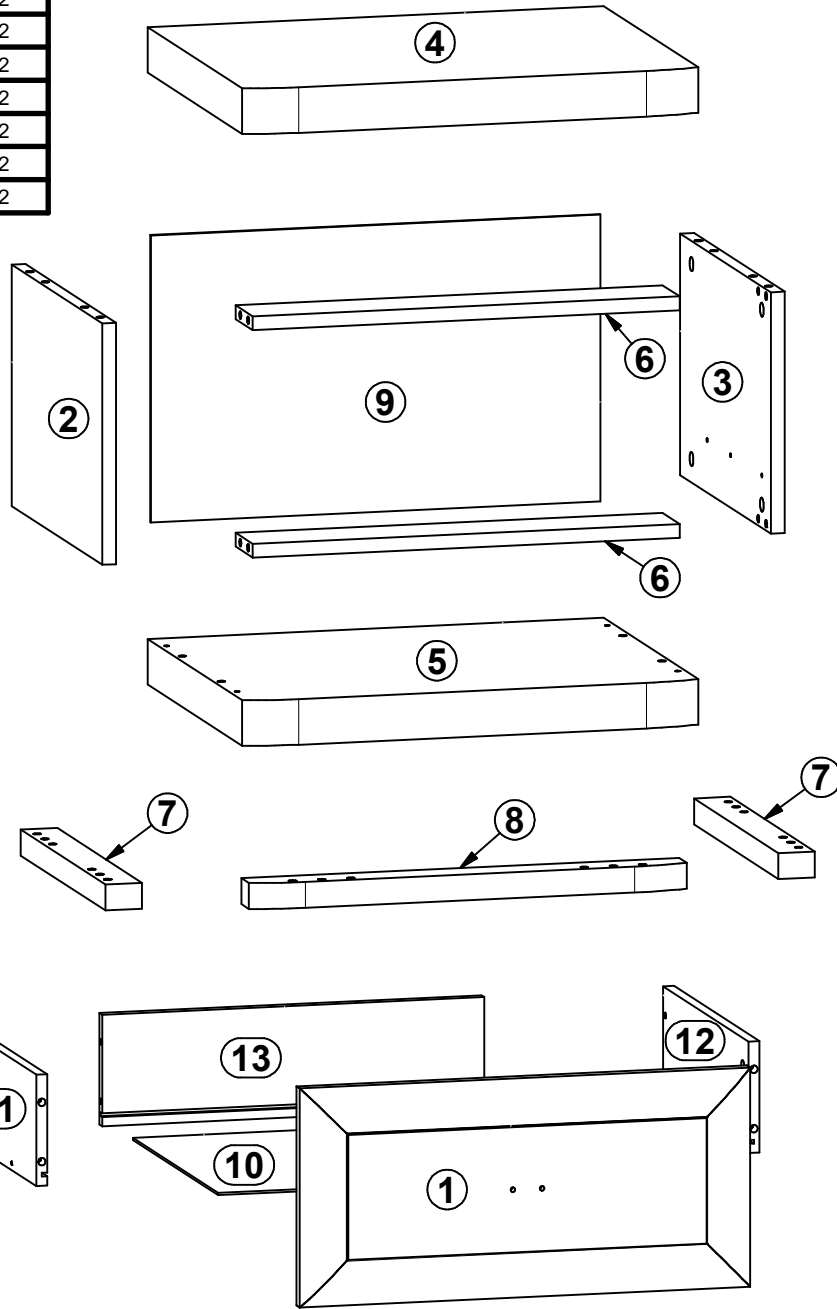
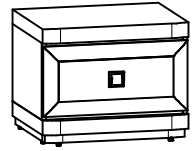


OREGON

S157-KOM1S

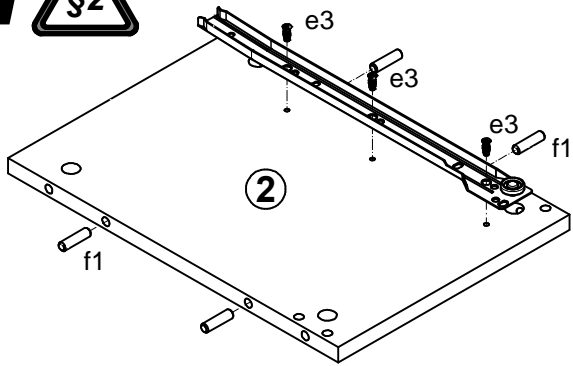
A	B	C	D
1	S157-015	494	236
2	S157-126	260	371
3	S157-127	260	371
4	S157-214	500	396
5	S157-215	500	396
6	S157-410	468	70
7	S157-502	346	40
8	S157-510	480	40
9	S157-916	309	493
10	S157-917	430	348
11	ZS2-511	350	120
12	ZS2-512	350	120
13	ZS2-5518	419	120



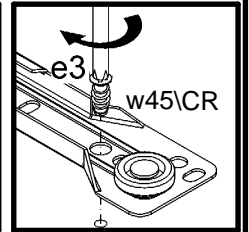
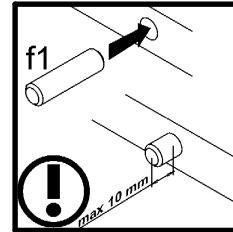
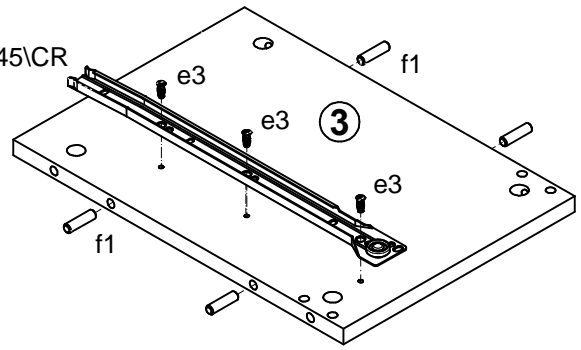
1x c333	6x φ7x50 mm e1	4x φ5x9 mm e19	6x φ6x13 mm e3	22x φ8x30 mm f1	4x φ6.5x40 mm f25	2x M4x18 mm j59	4x M6/φ8x14 mm k39/2	4x M6x22mm k39/3
15x l1	8x φ15x12mm #16 r1	4x φ12x10.5mm #12 r15	12x r42	1x 350 mm w45/CL	1x 350 mm w45/CR	1x 350 mm w45/DL	1x 350 mm w45/DR	2x φ16 s2
1x z1								

1 

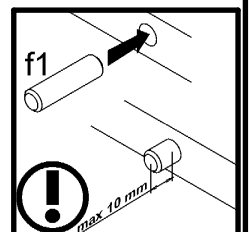
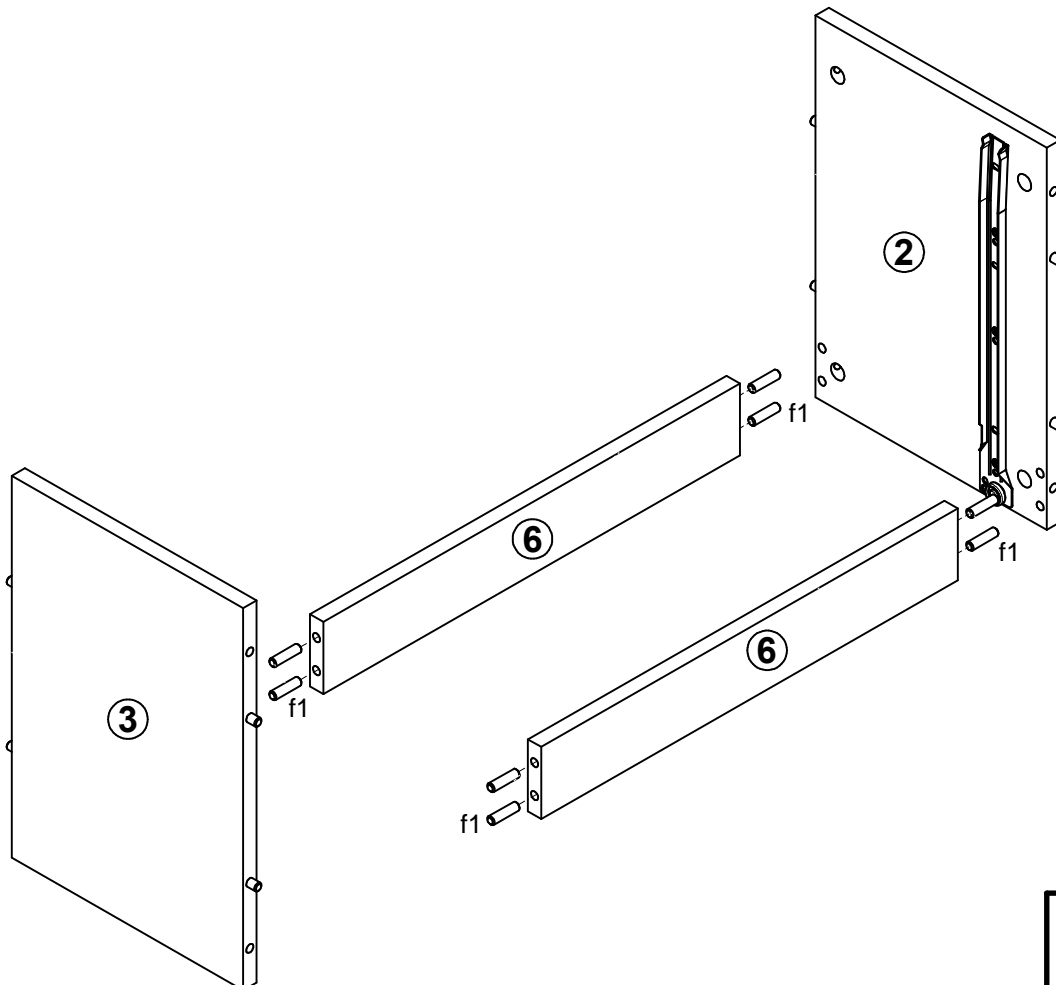
w45\CL



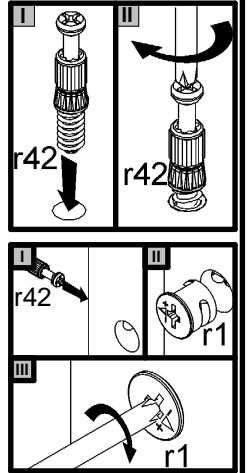
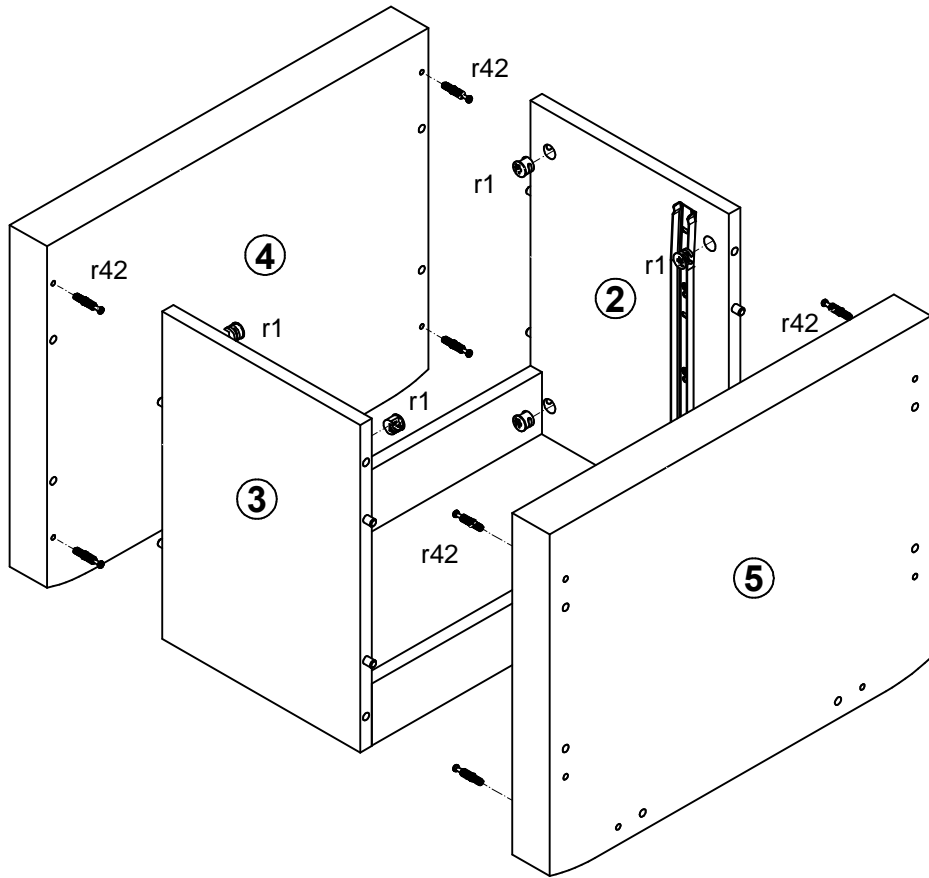
w45\CR



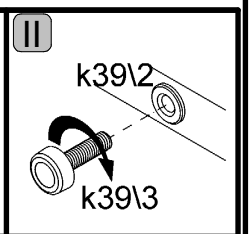
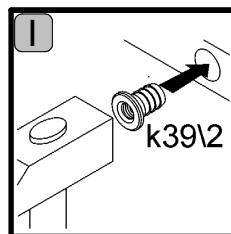
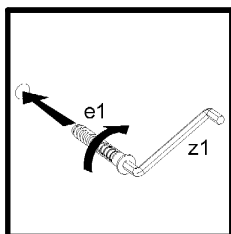
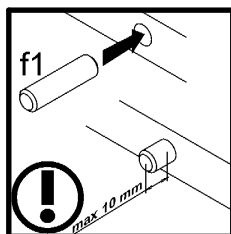
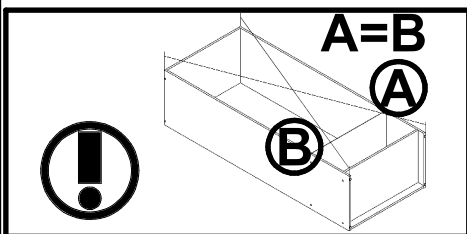
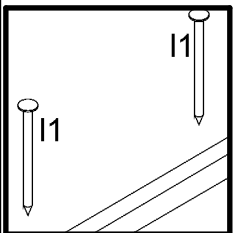
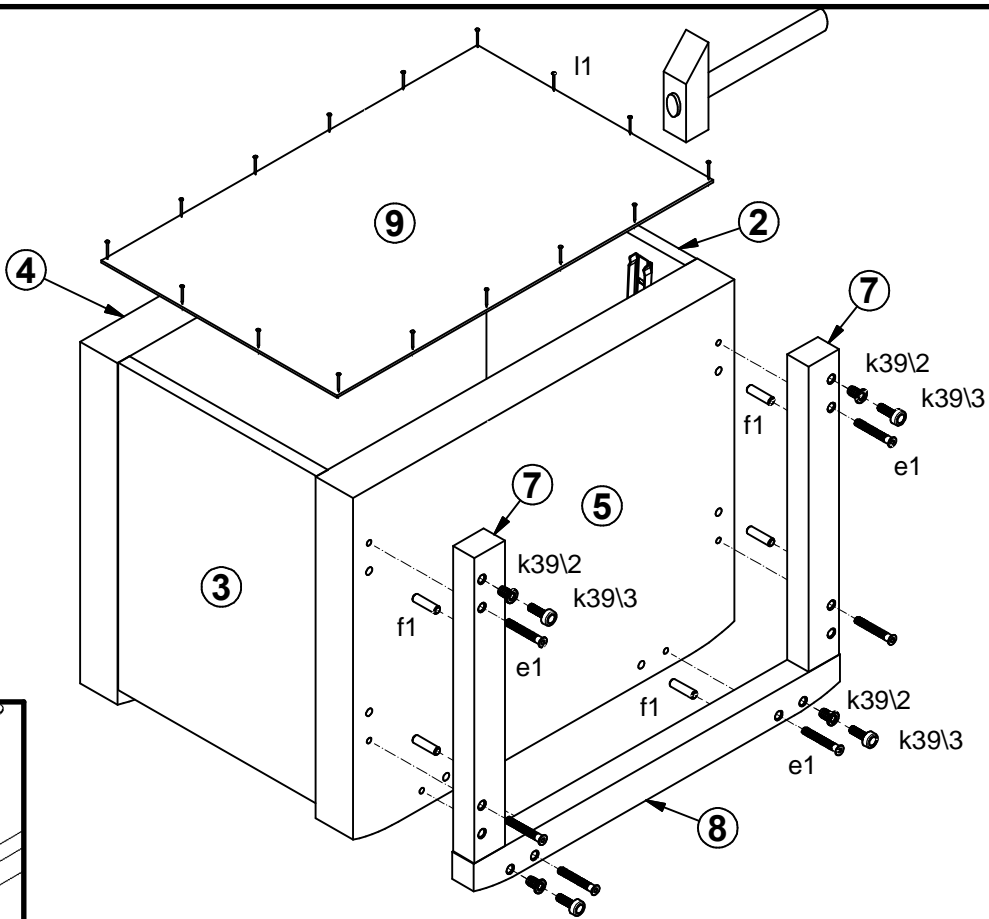
2 



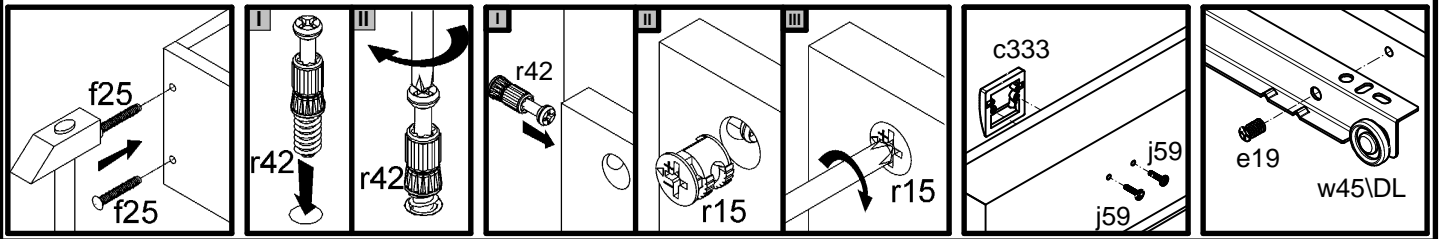
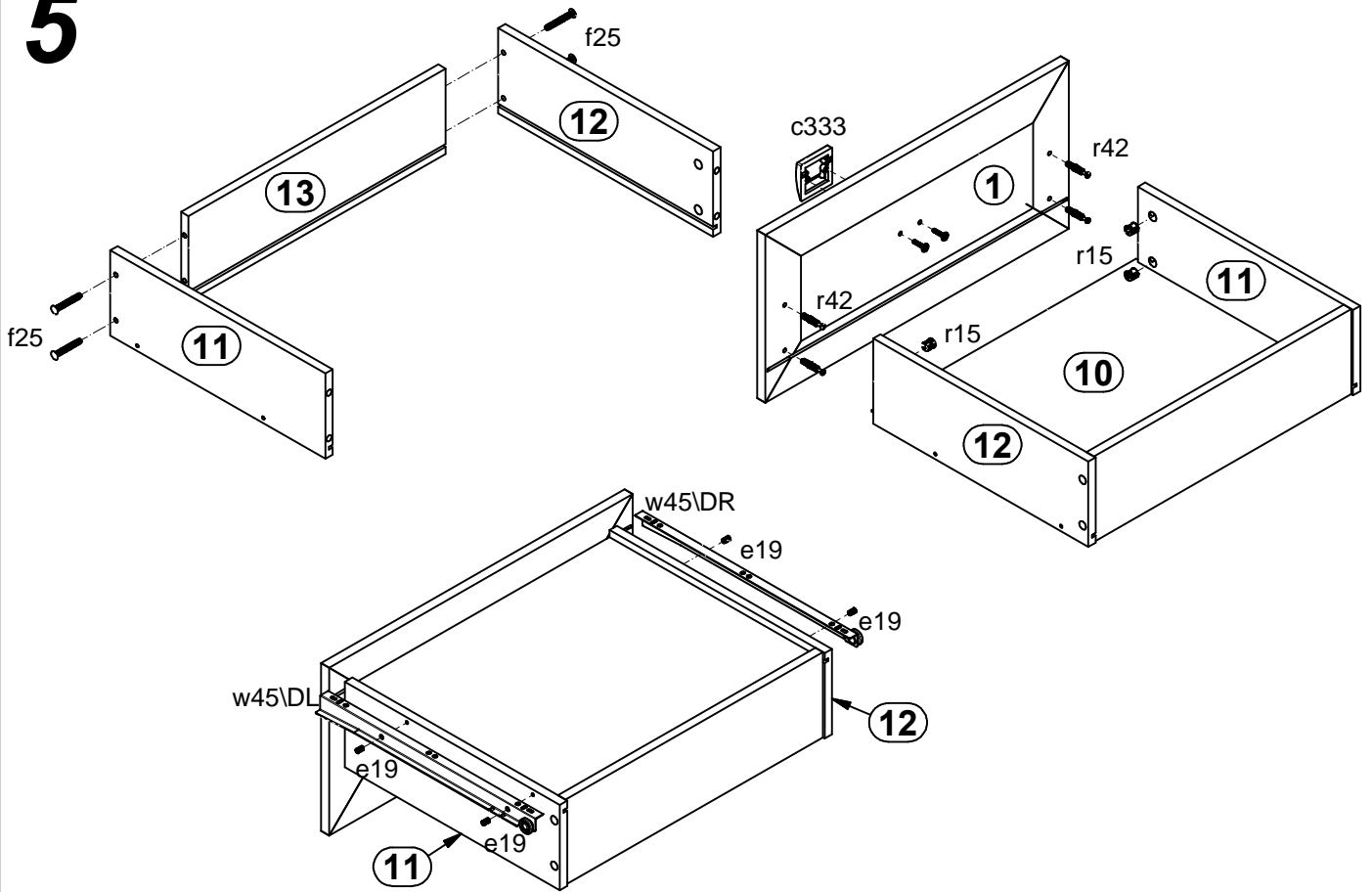
3



4



5



6

