
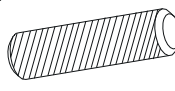
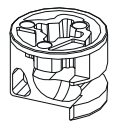

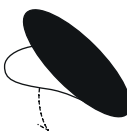

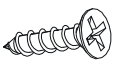
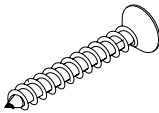
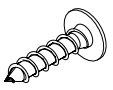
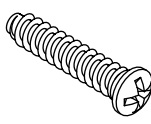
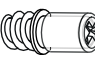
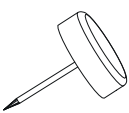

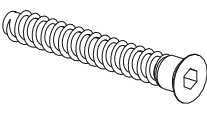
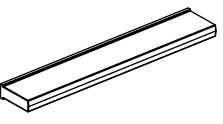
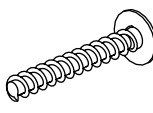
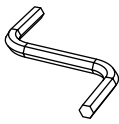
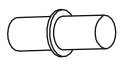
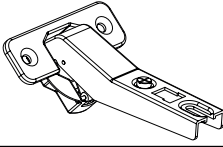
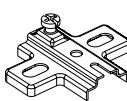
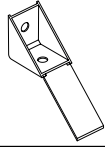
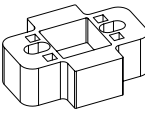
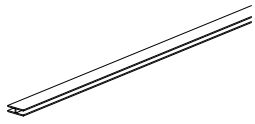
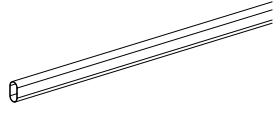
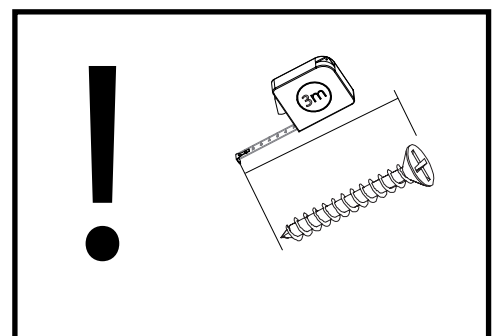










# FAN 01

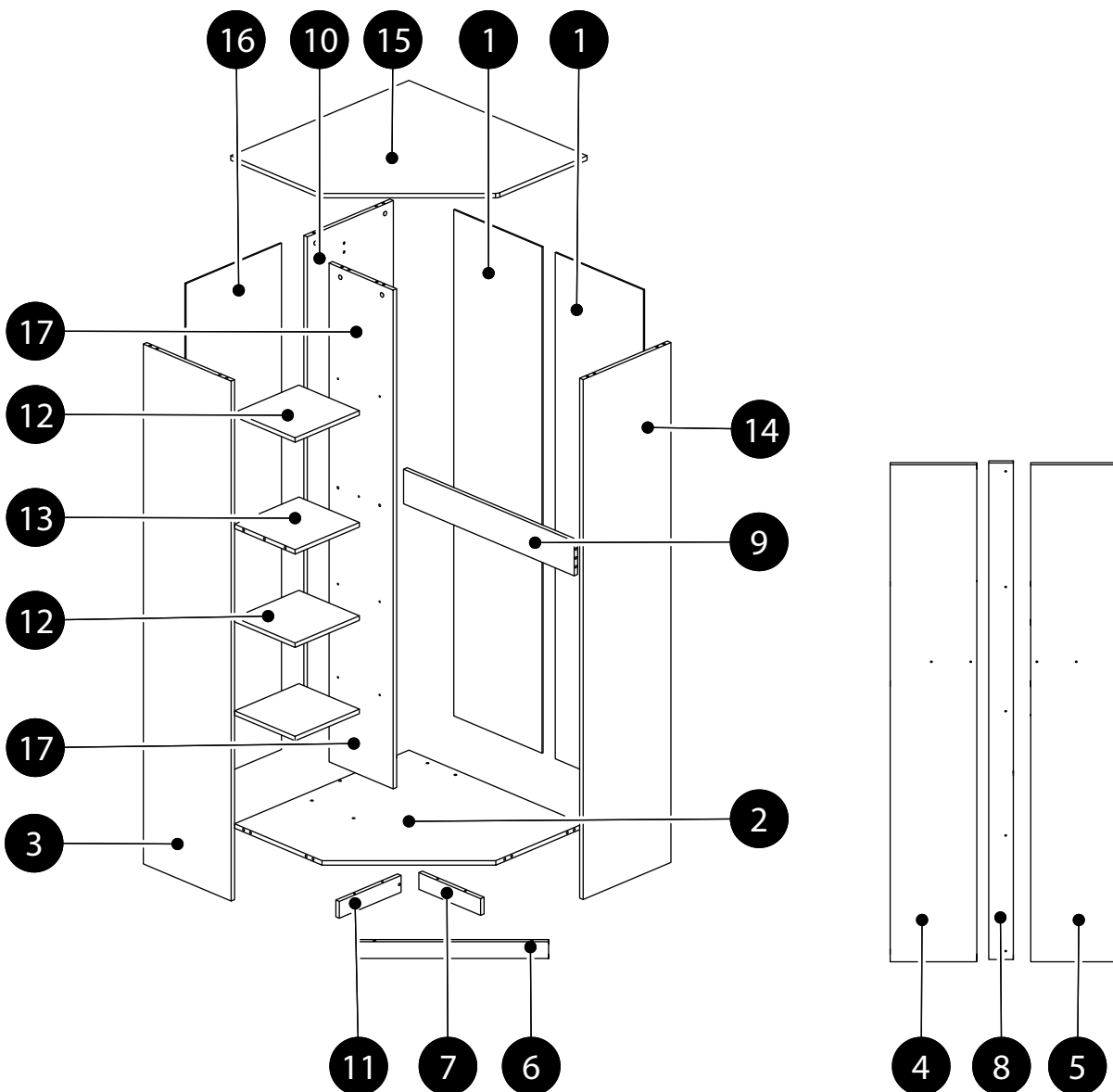
<p><b>GW1</b> x 69 1,4x25</p> 	<p><b>K1</b> x 22 8x32</p> 	<p><b>B2</b> x 16 h-12</p> 
<p><b>ZJ1</b> x 16 L-43</p> 	<p><b>ZS2</b> x 8 Ø20</p> 	<p><b>ZS1</b> x 5 Ø13</p> 
<p><b>WT1</b> x 24 3,5x15</p> 	<p><b>WT18</b> x 5 4x30</p> 	<p><b>WT2</b> x 18 3,5x16</p> 
<p><b>WE1</b> x 12 EK6,3x30BM</p> 	<p><b>PO7</b> x 1 Ø5</p> 	<p><b>SG1</b> x 8</p> 
<p><b>UBO</b> x 4</p> 	<p><b>KT1</b> x 10 6,3x50</p> 	<p><b>UG1</b> x 2 L-128</p> 
<p><b>WT17</b> x 4 4x27</p> 	<p>x 1</p> 	<p><b>PO2</b> x 12 Ø5</p> 
<p><b>ZP2</b> x 6 45 ST</p> 	<p><b>PK1</b> x 6 H-0</p> 	<p><b>PO4</b> x 2</p> 
<p><b>DS5</b> x 6</p> 	<p><b>LT</b> x 1 L- 1789</p> 	<p><b>D21</b> x 2 L- 778</p> 



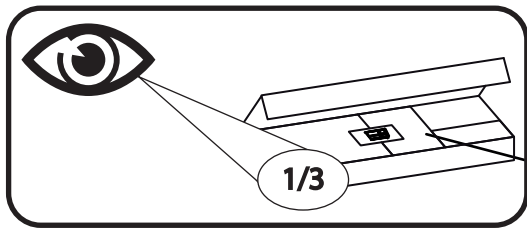
# FAN 01

	CODE				
1	Fan01HDF_02	406	1817	2	1/3
2	Fan01_02	802	802	1	3/3
3	Fan01_03	1866	404	1	1/3
4	Fan01_13	1784	278	1	2/3
5	Fan01_14	1784	278	1	2/3
6	Fan01_12	60	622	1	3/3
7	Fan01_11	284	60	1	3/3
8	Fan01_15	1782	80	1	1/3
9	Fan01_09	785	124	1	1/3
10	Fan01_06	1790	396	1	1/3

	CODE				
11	Fan01_10	284	60	1	3/3
12	Fan01_08	296	278	3	3/3
13	Fan01_07	296	278	1	3/3
14	Fan01_04	1866	404	1	1/3
15	Fan01_01	820	820	1	3/3
16	Fan01HDF_01	440	1817	1	1/3
17	Fan01_05	1790	295	1	1/3



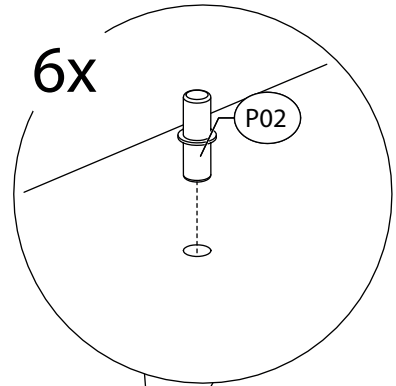
1.



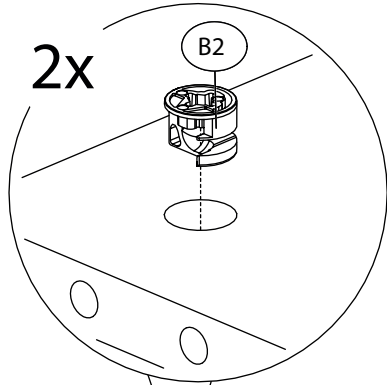
x2



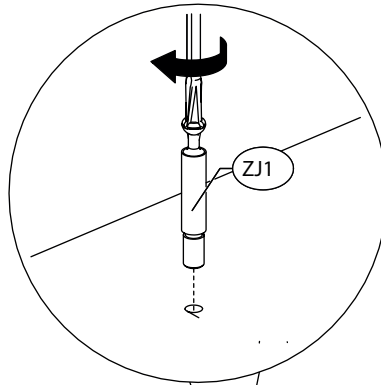
6x



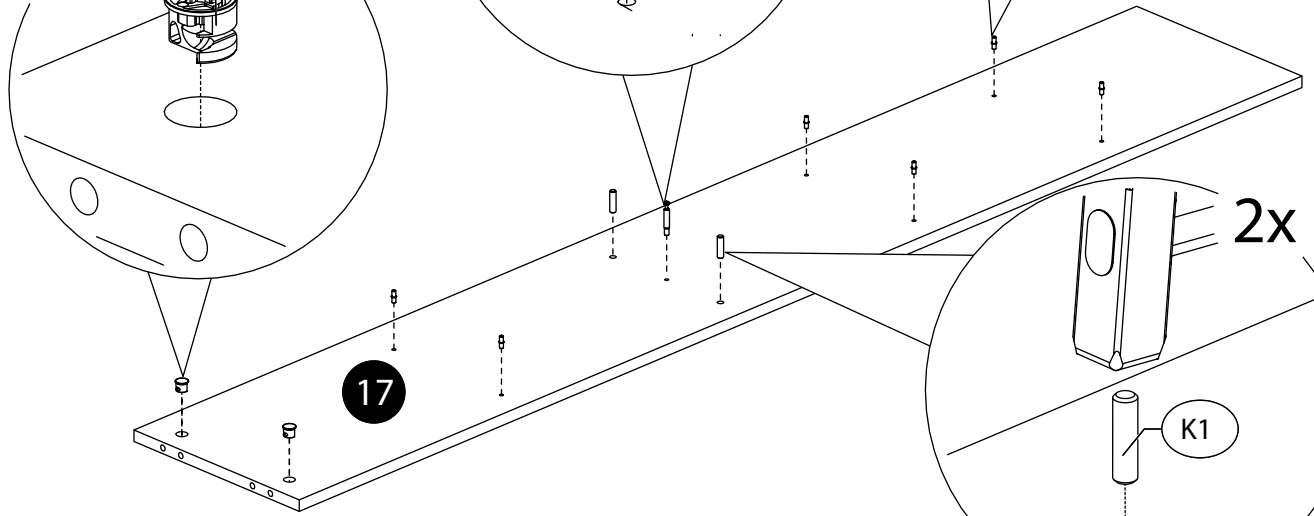
2.



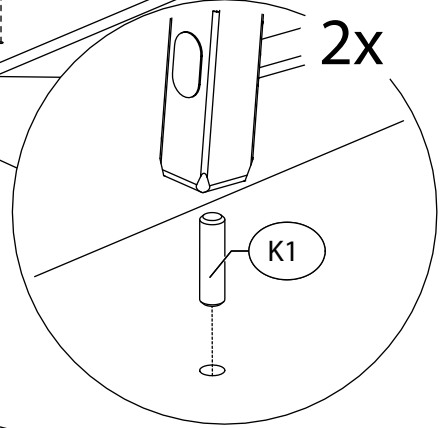
2x



ZJ1



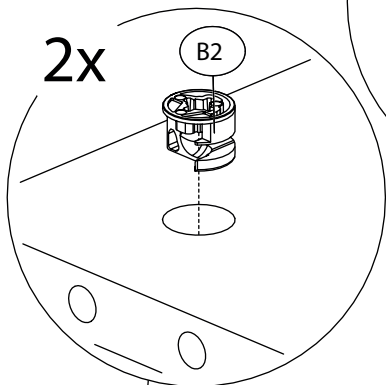
17



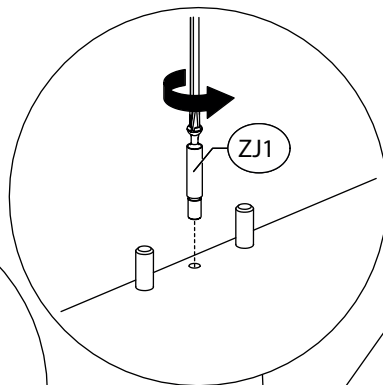
2x

K1

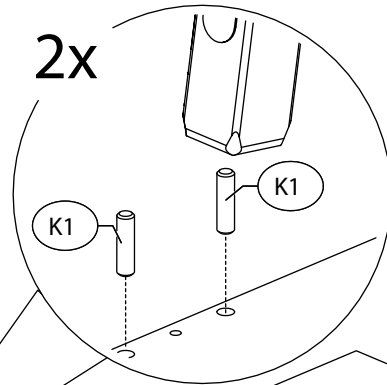
3.



2x



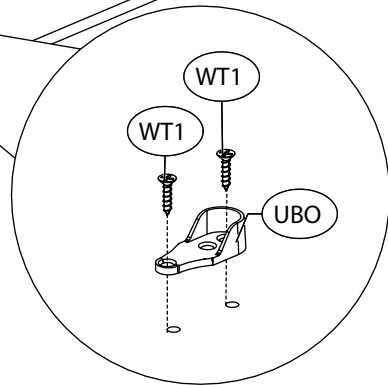
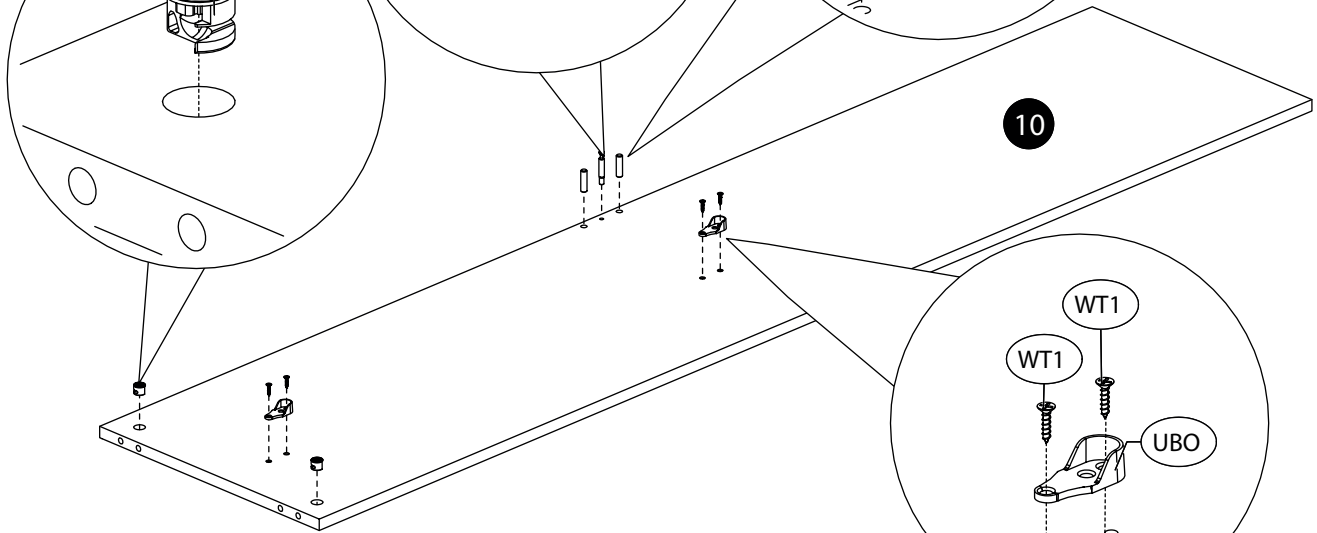
ZJ1



2x

K1

10

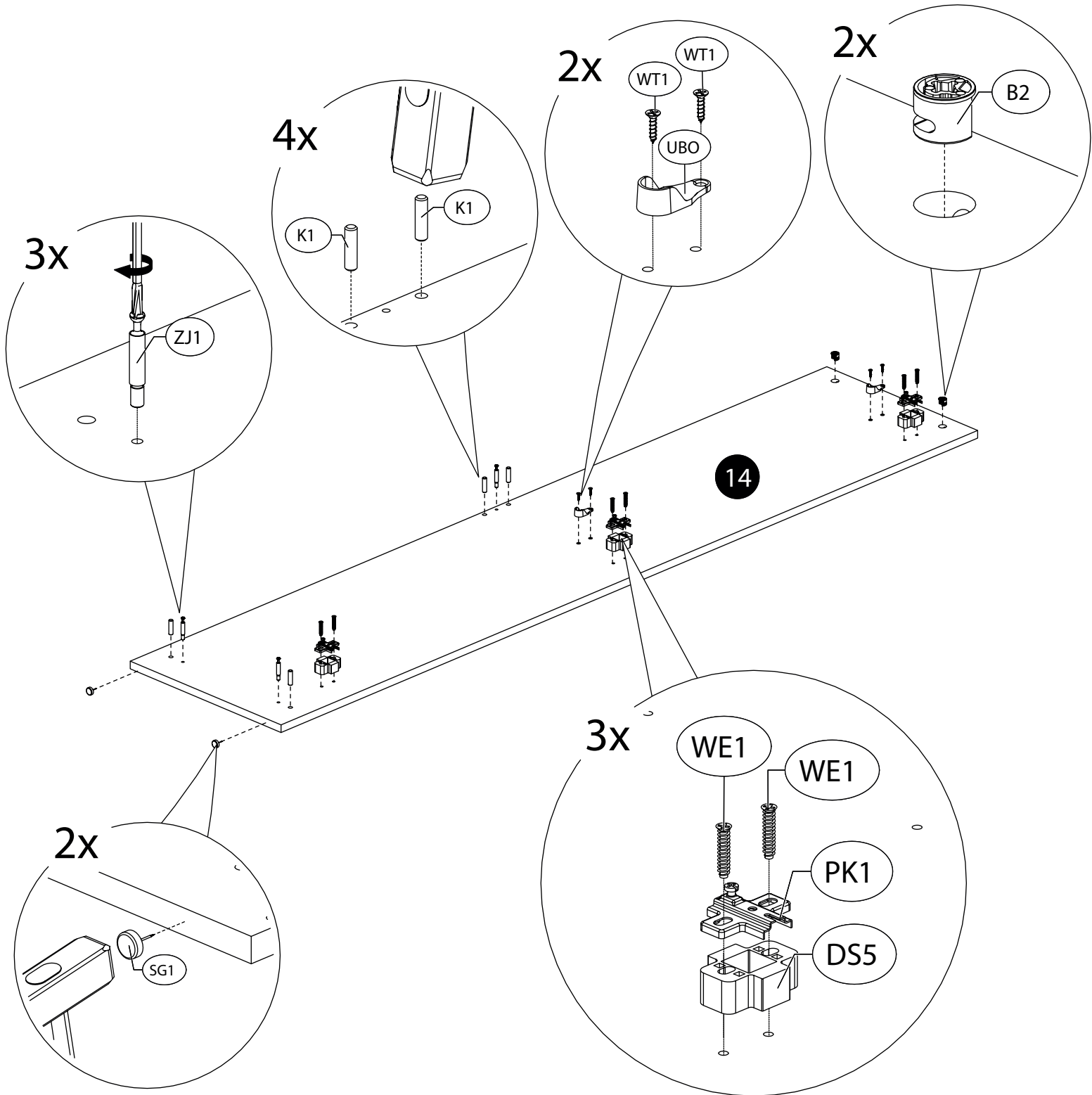


WT1

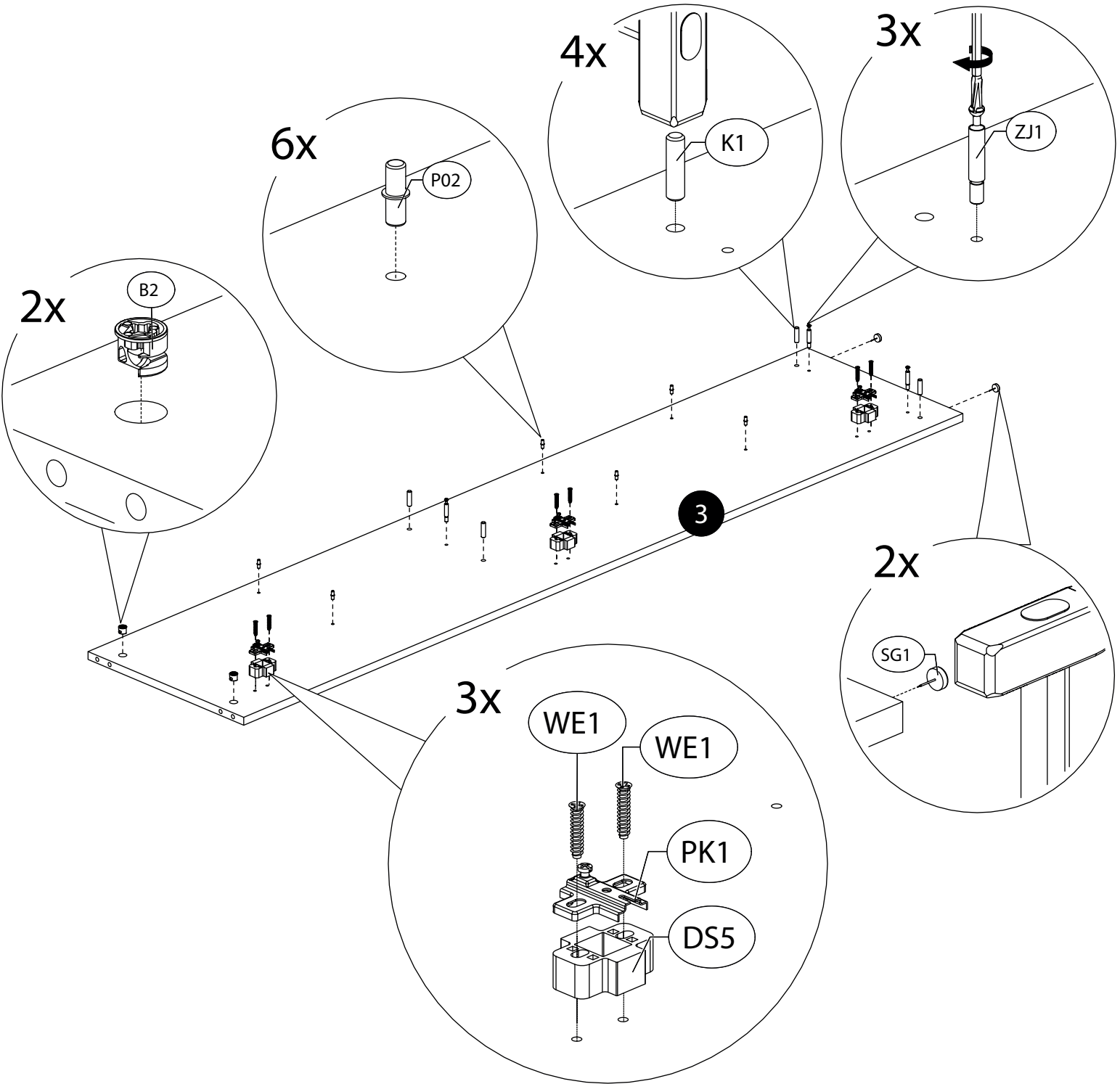
WT1

UBO

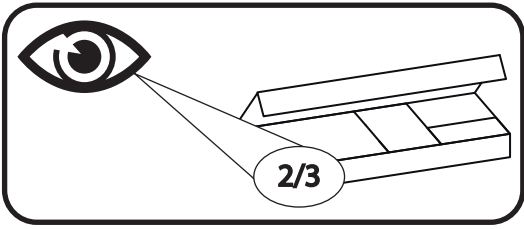
# 4.



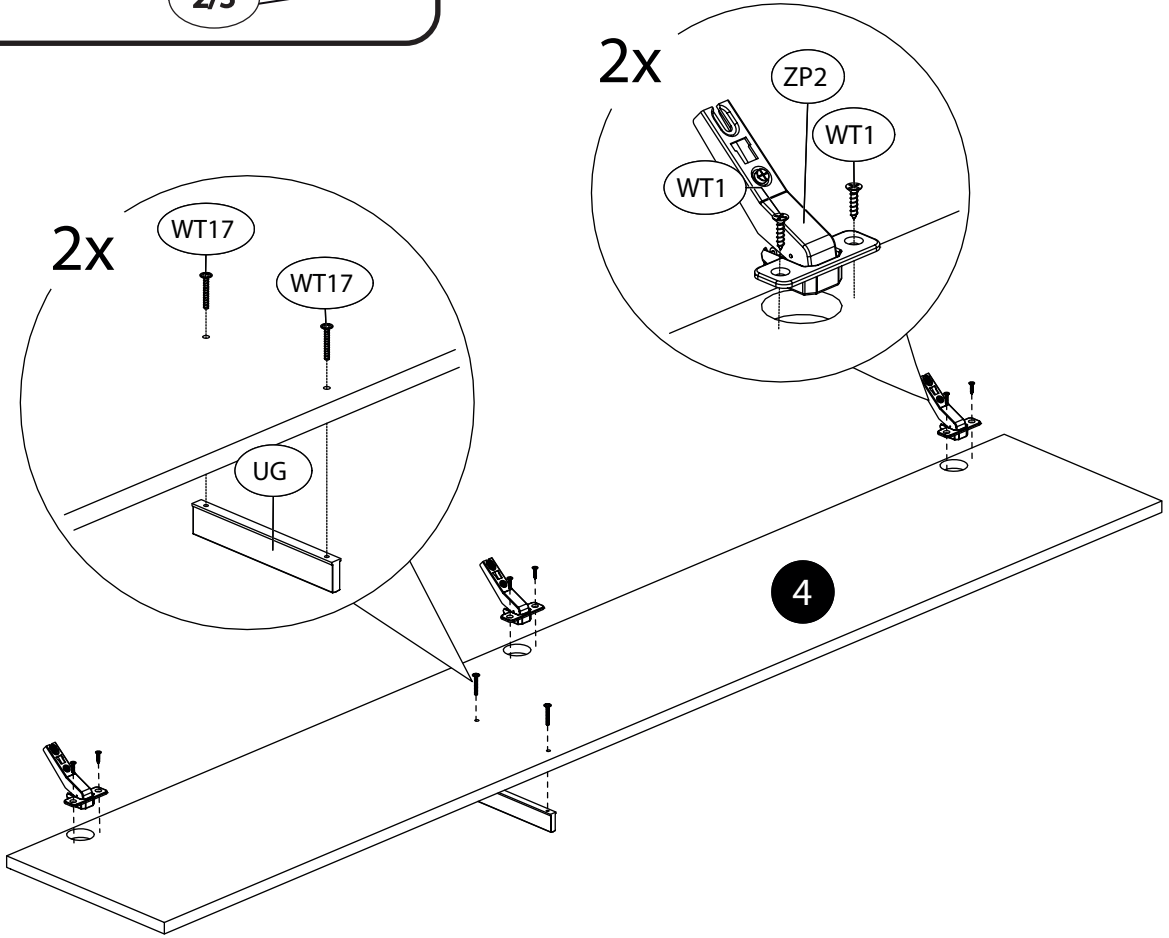
# 5.



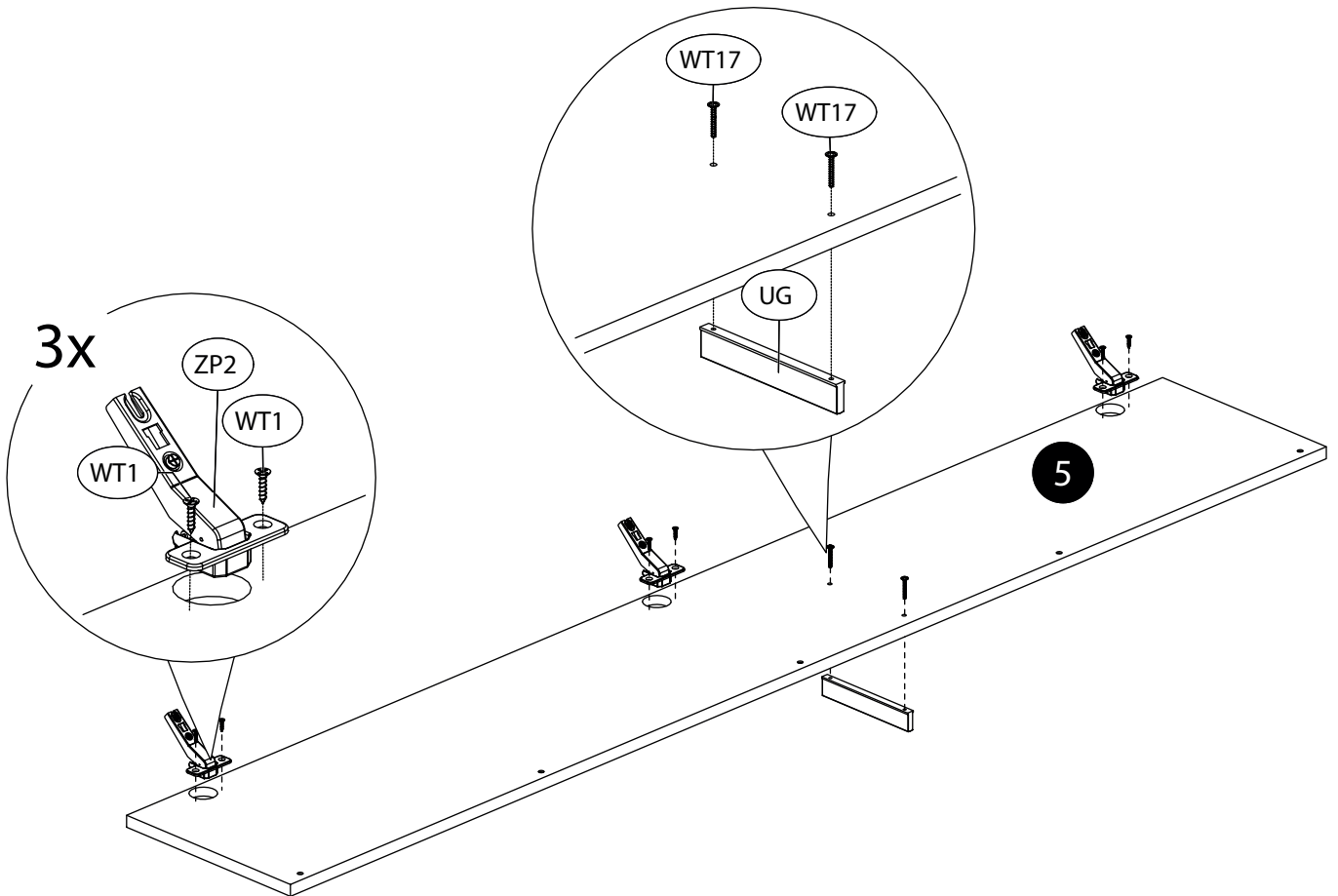
6.



7.

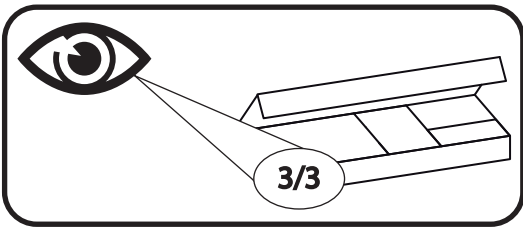


8.

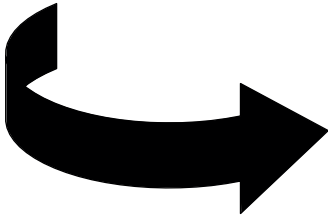
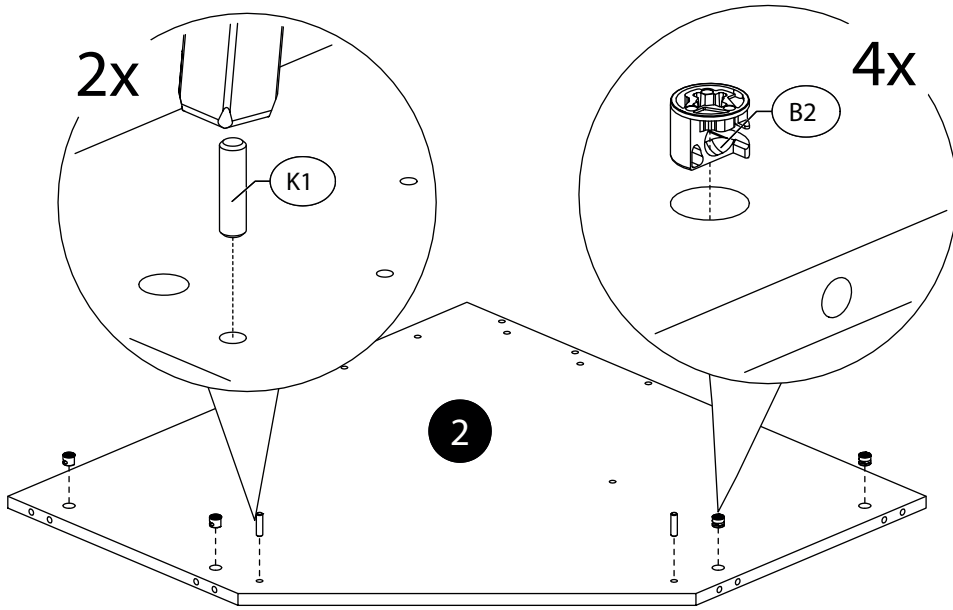




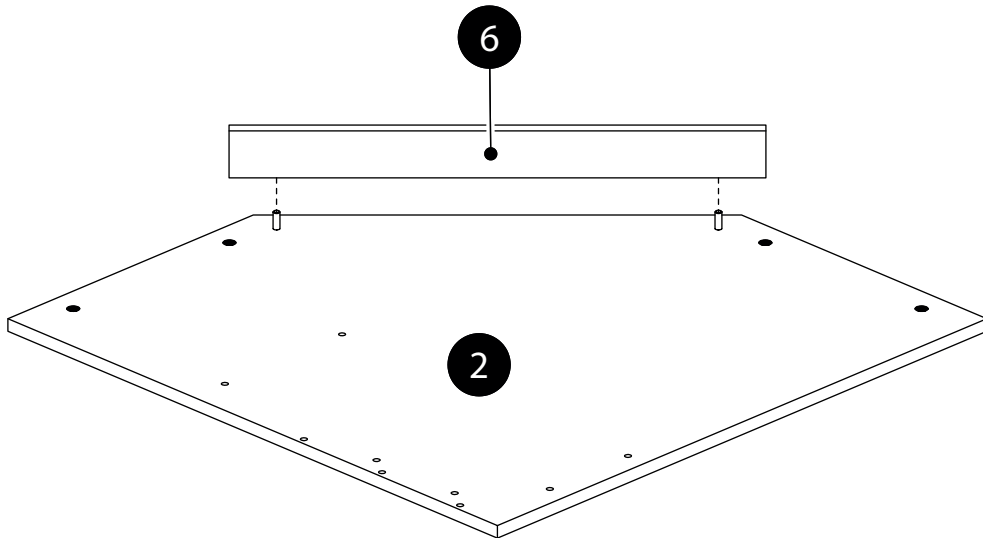
9.



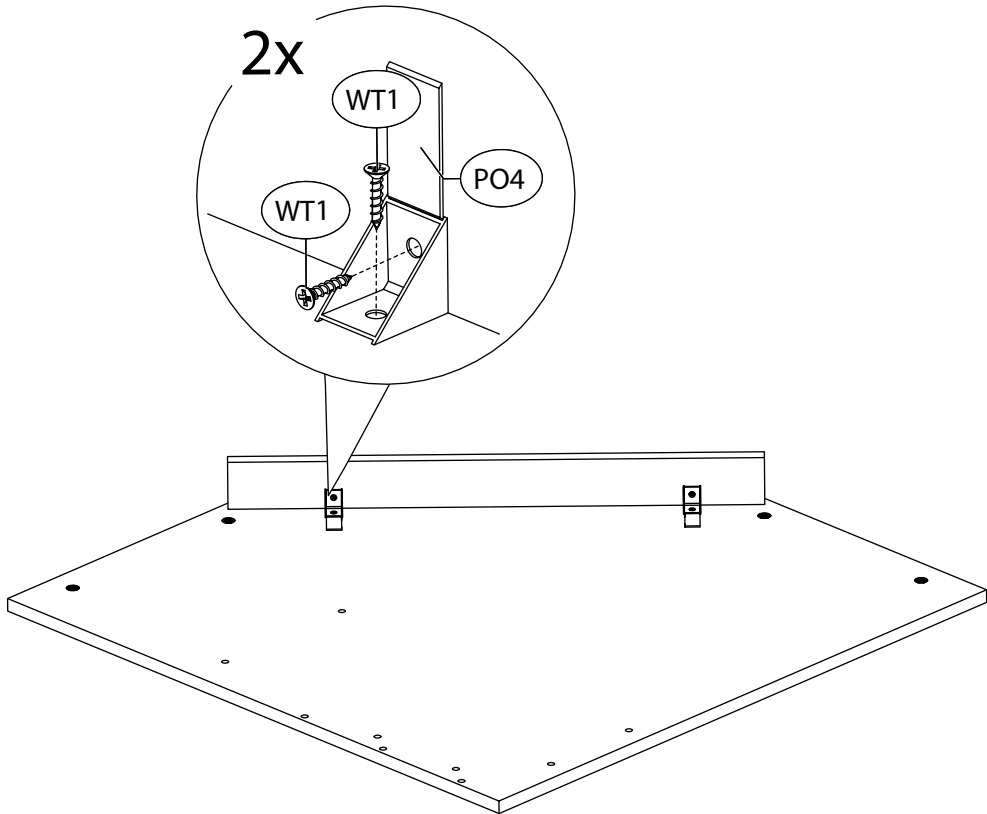
10.



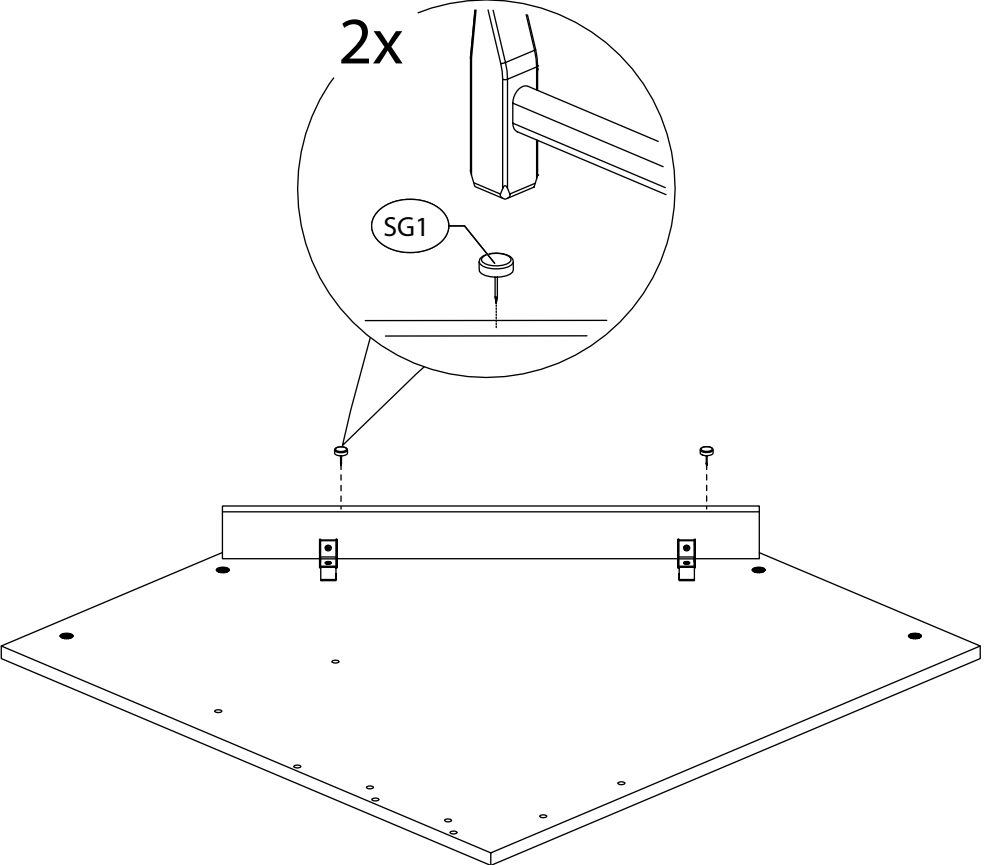
11.



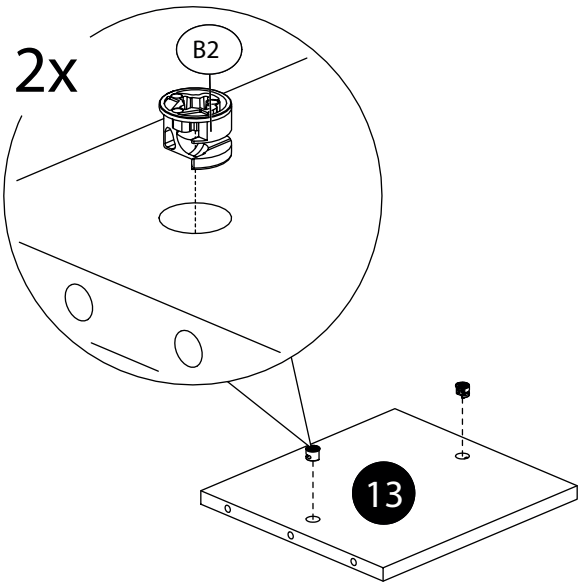
12.



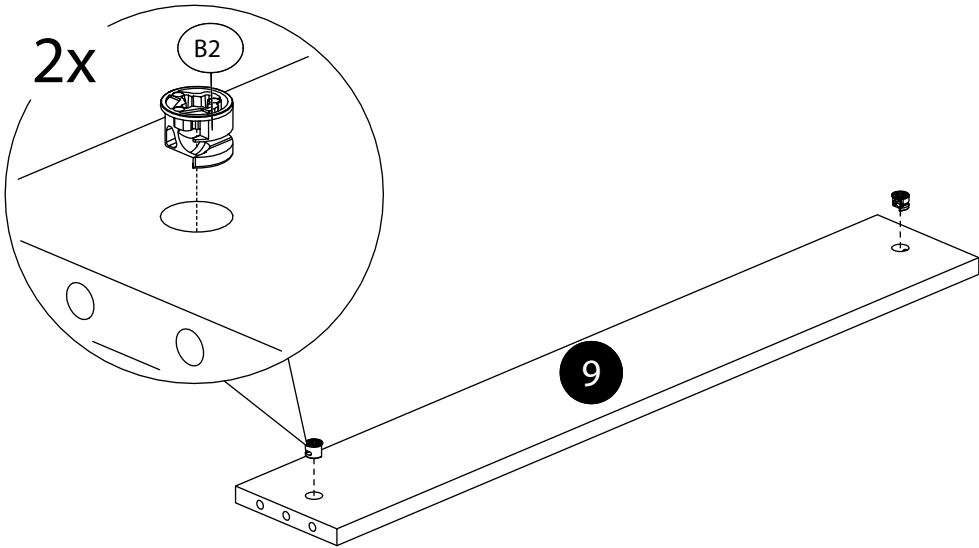
13.



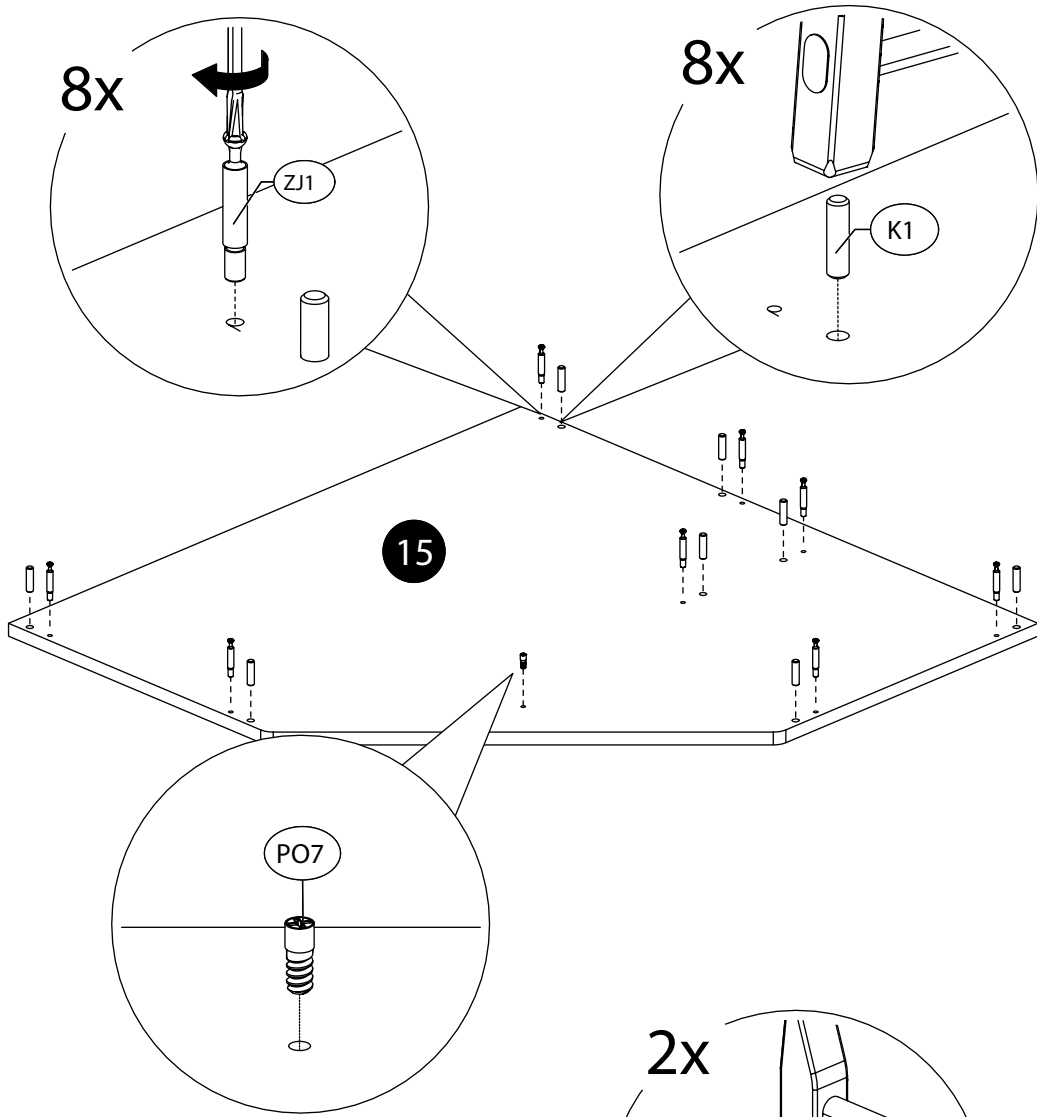
14.



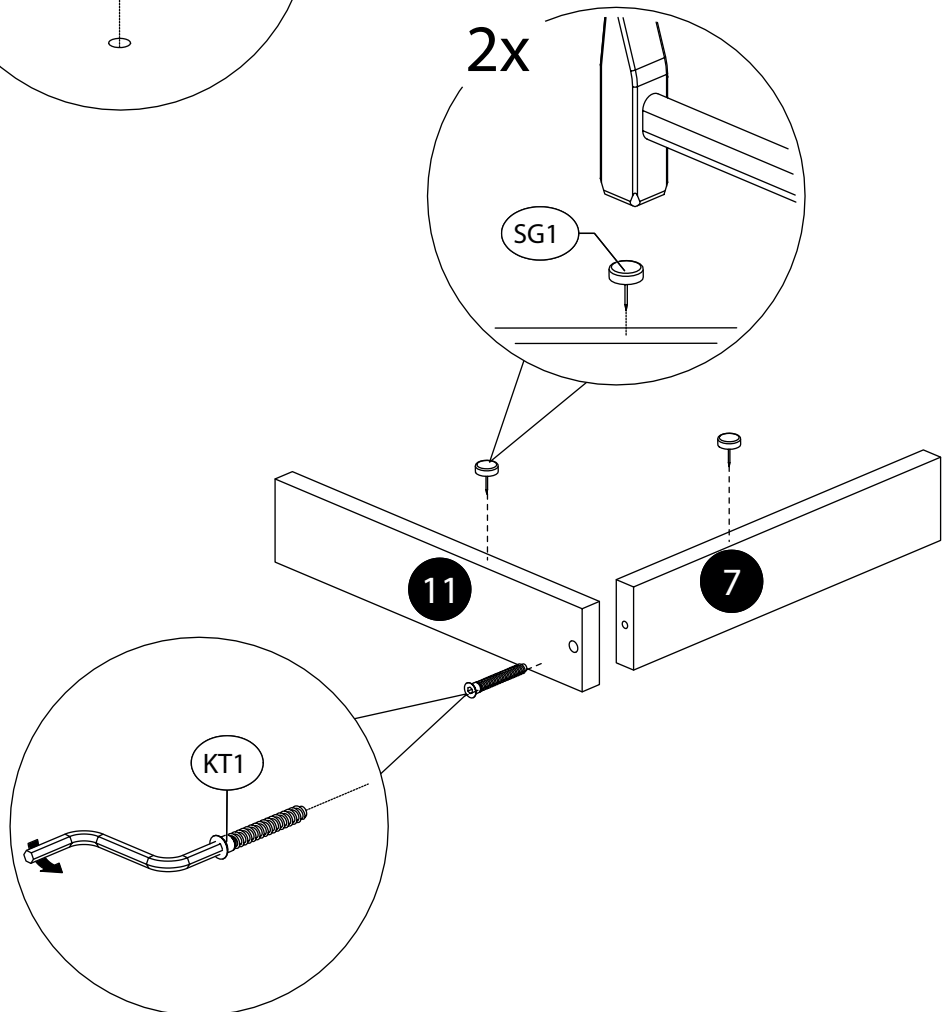
15.



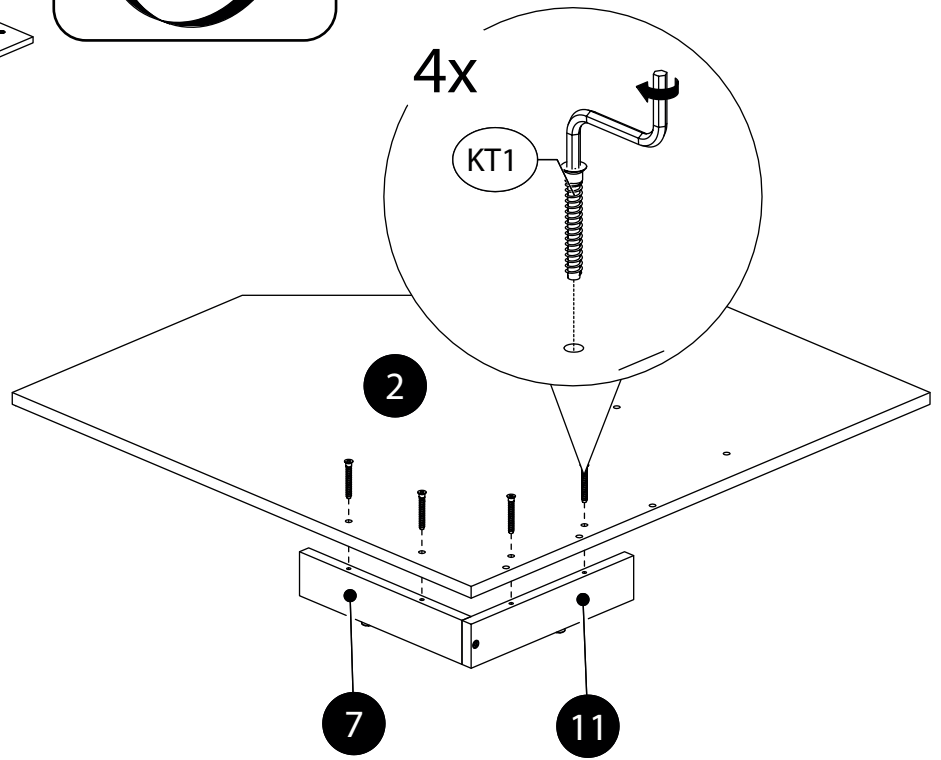
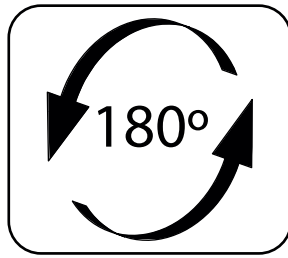
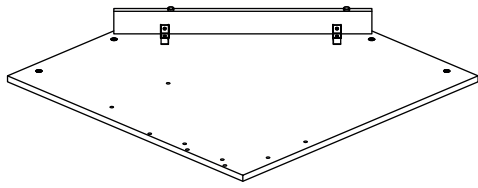
16.



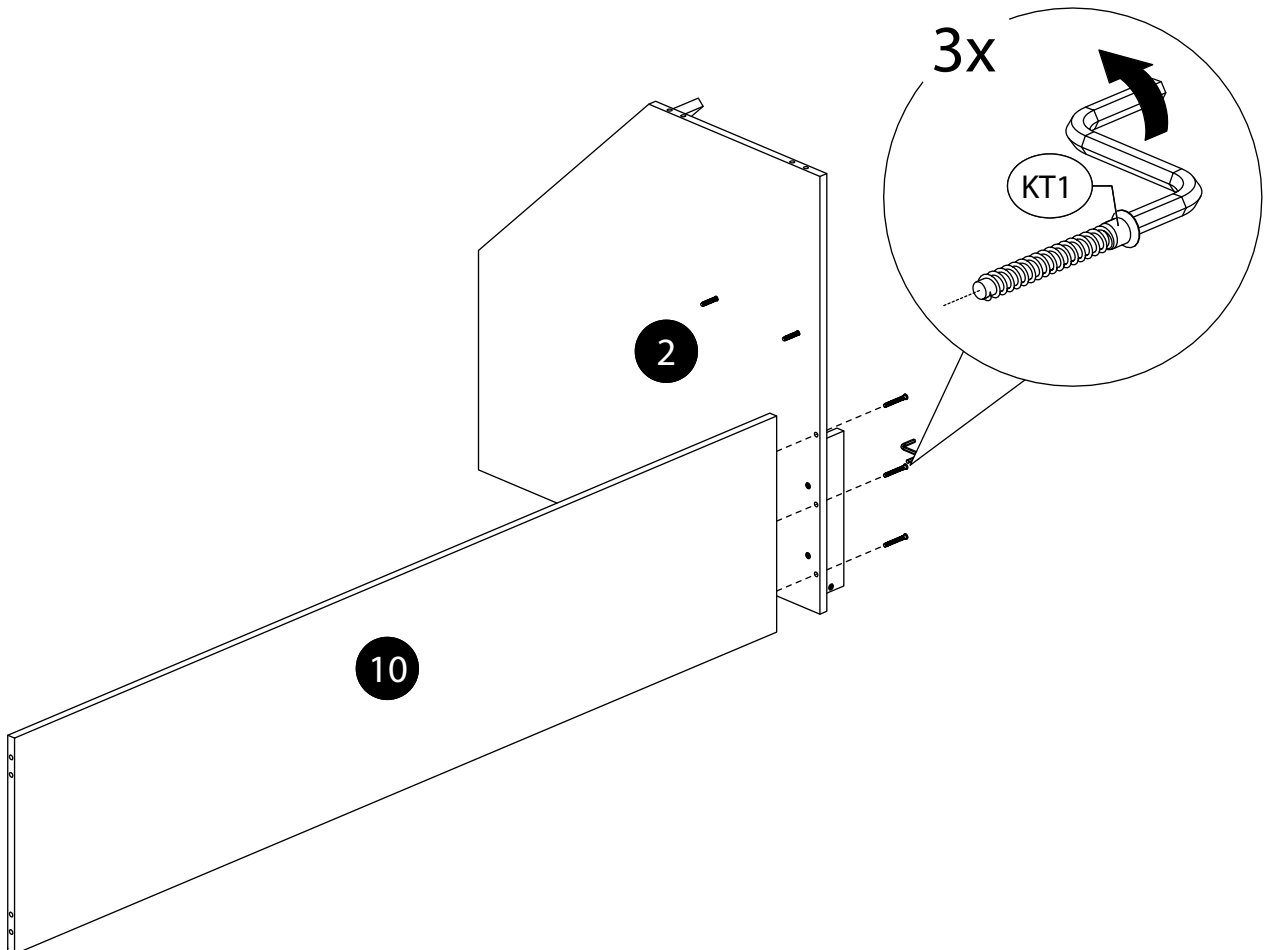
17.



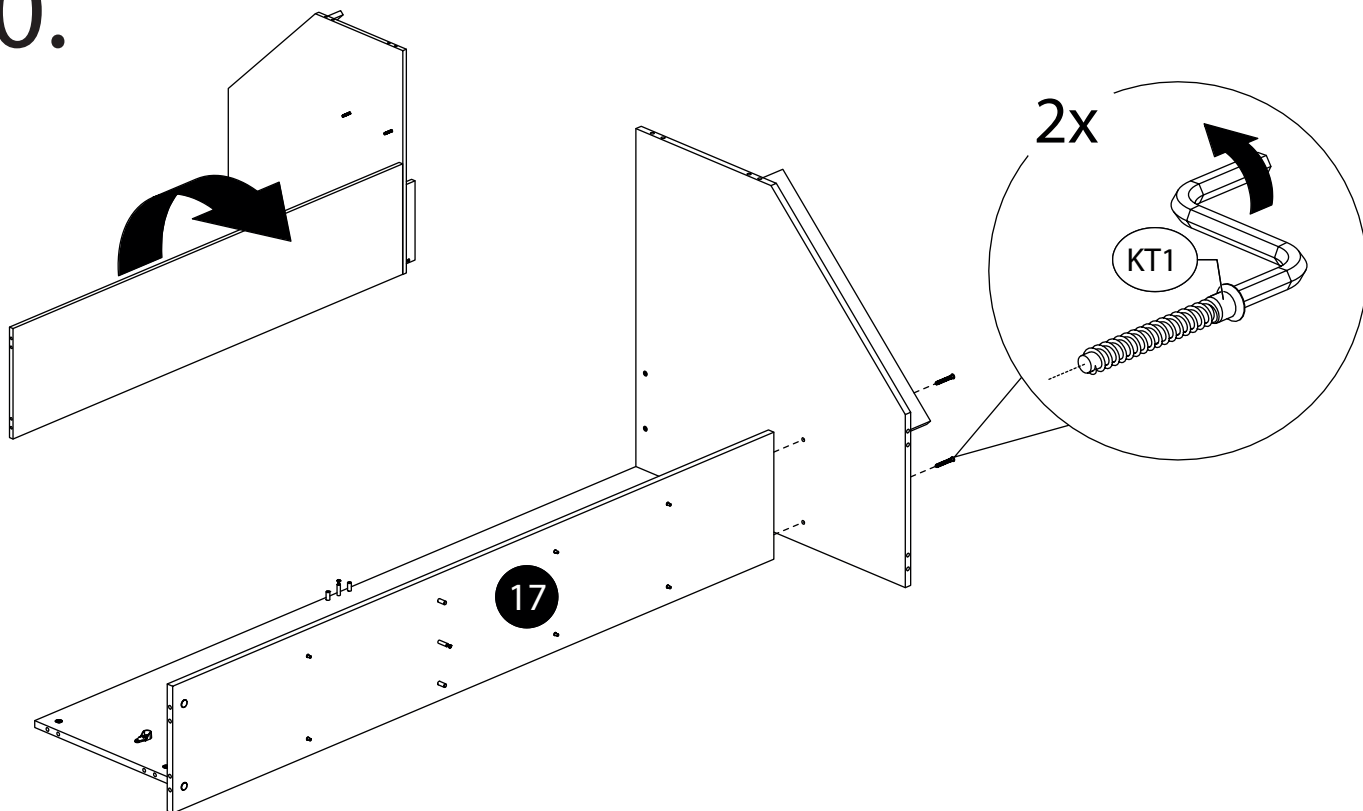
18.



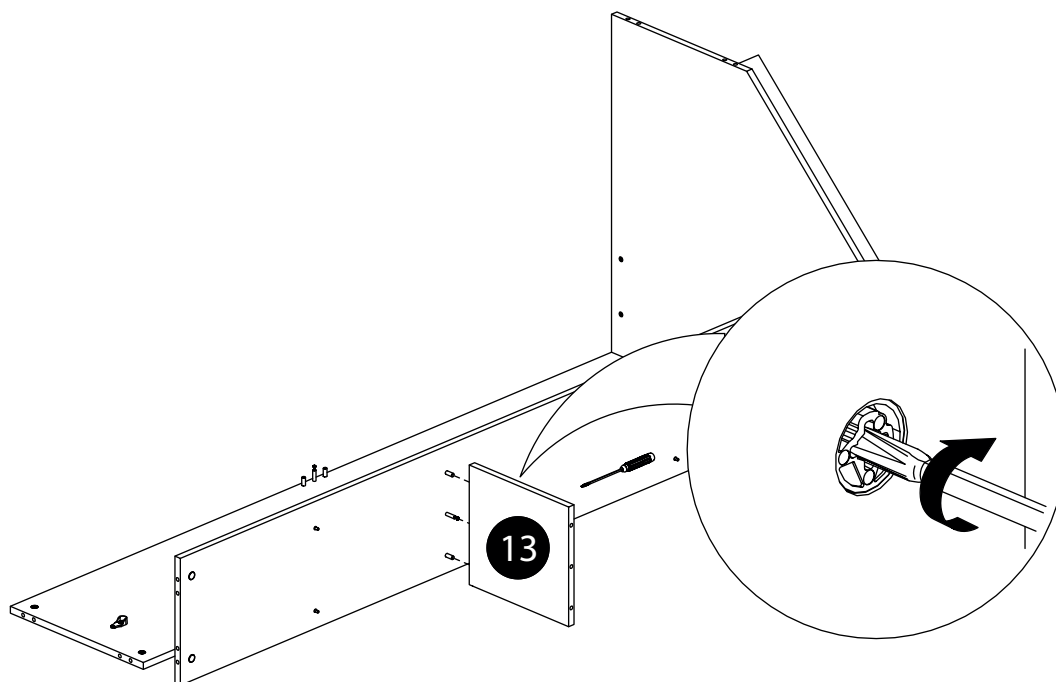
19.



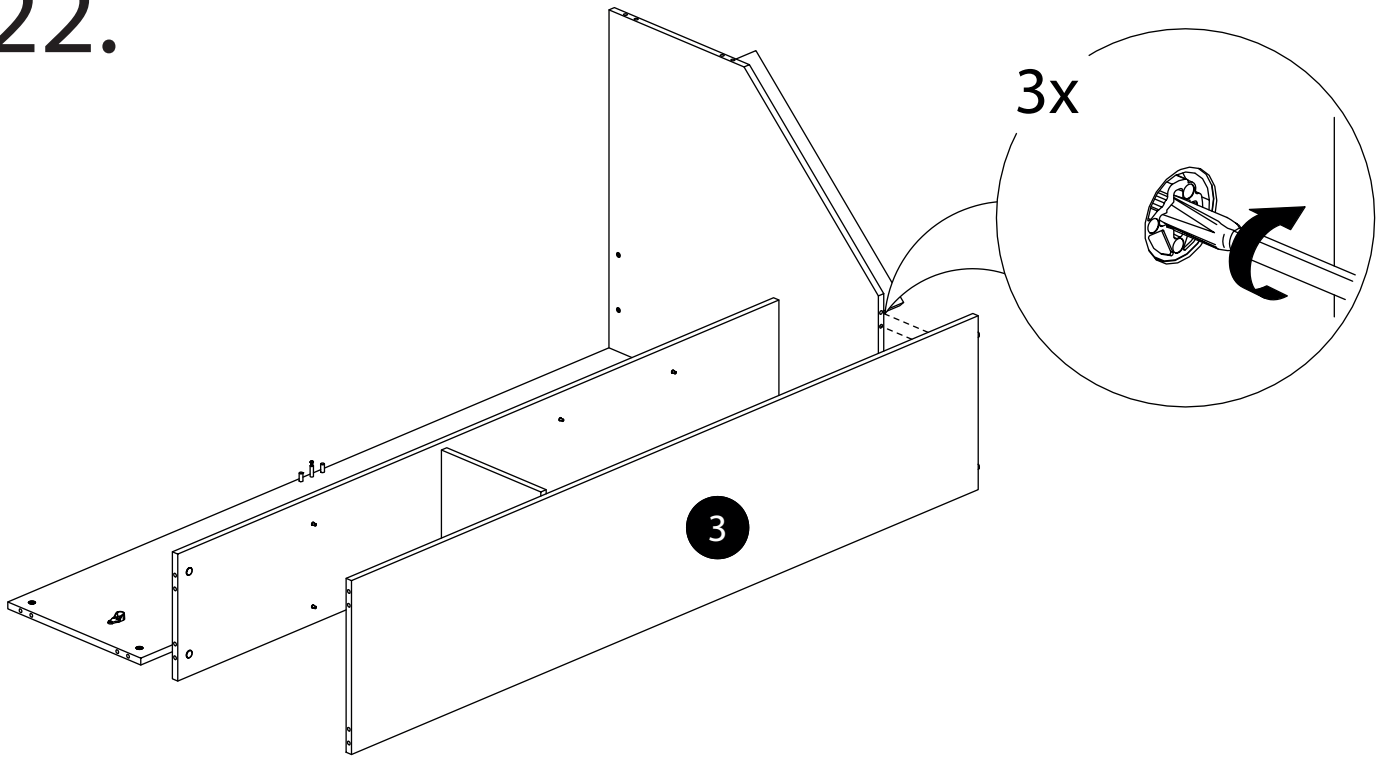
20.



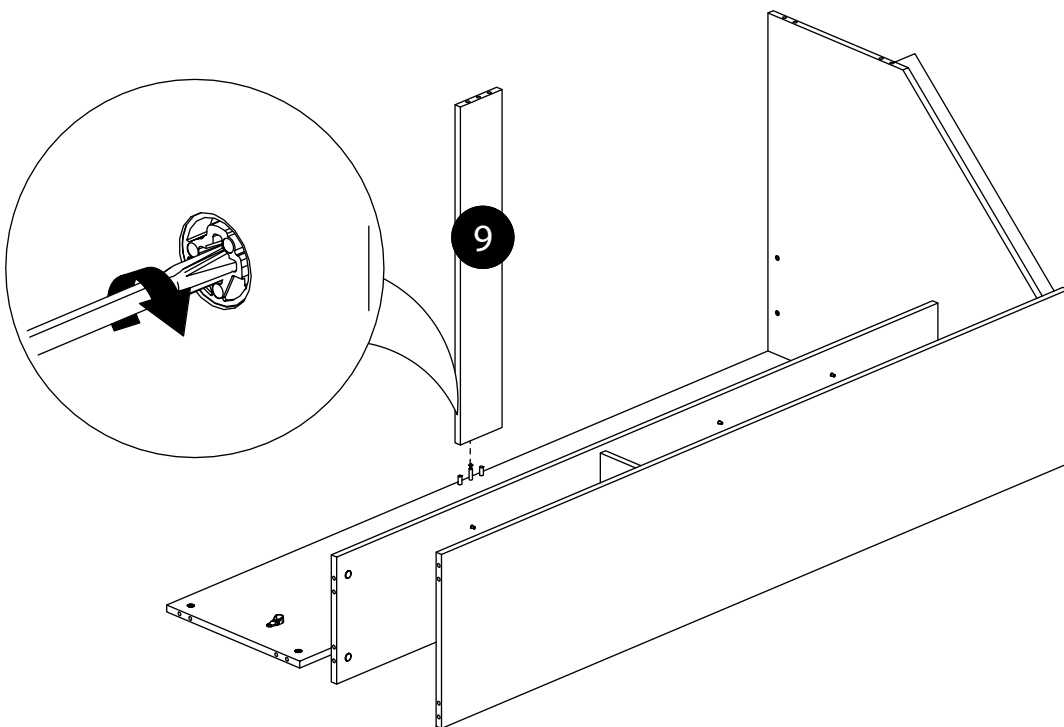
21.



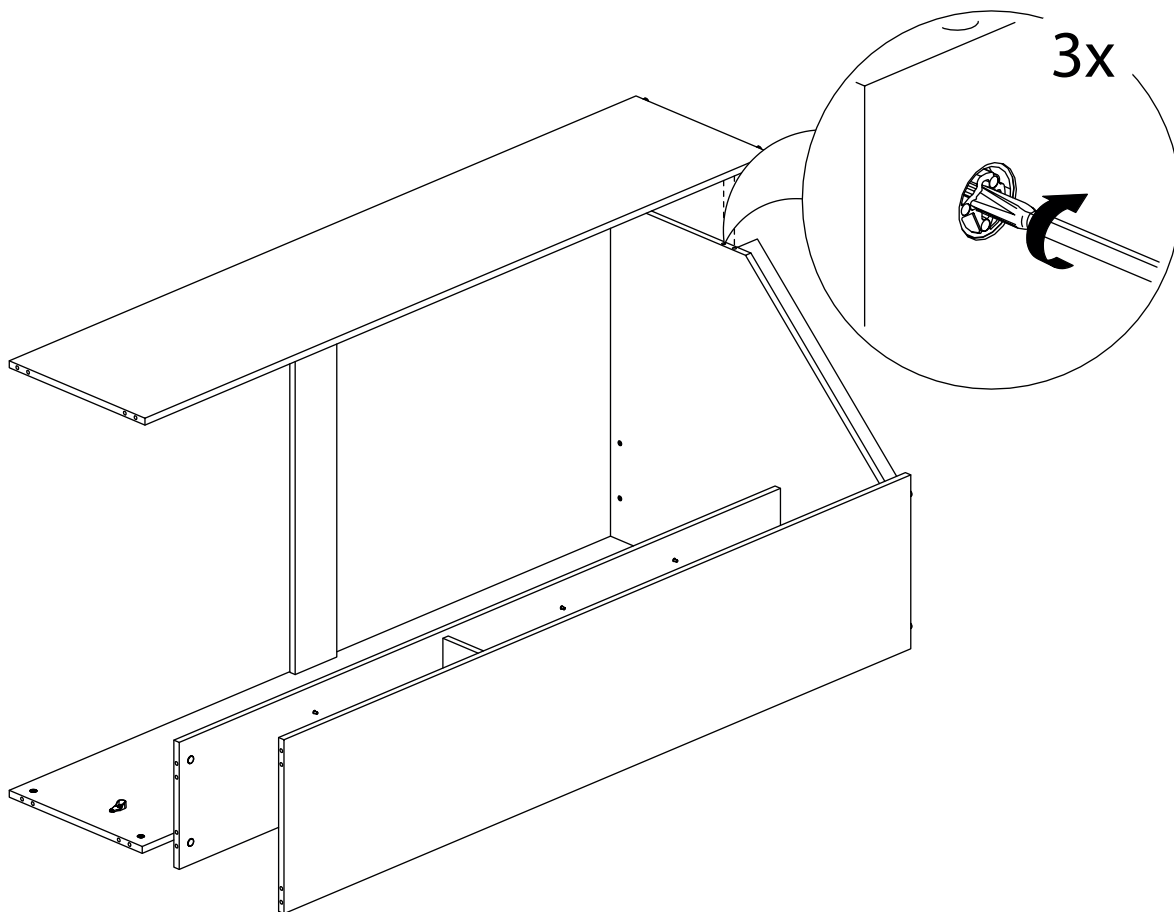
22.



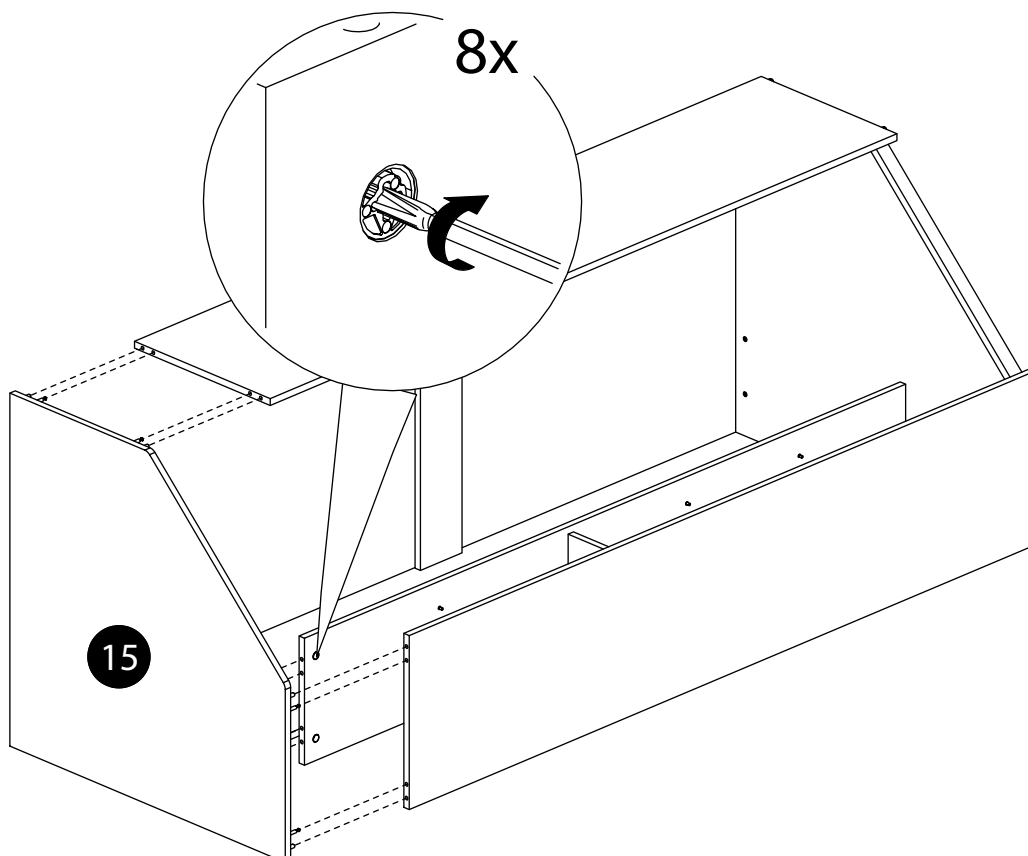
23.



24.

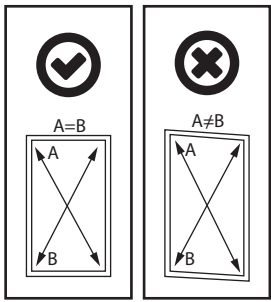
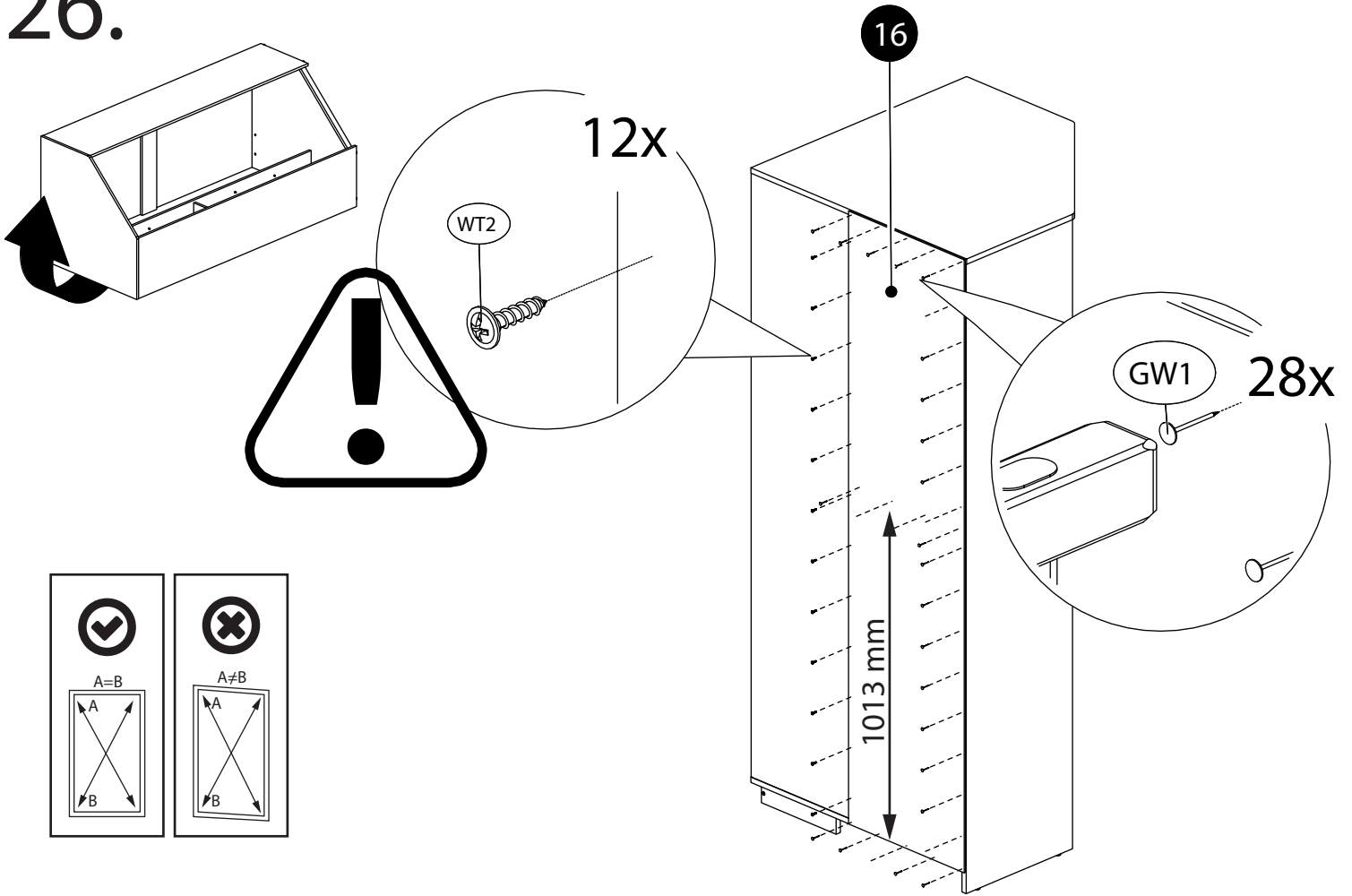


25.

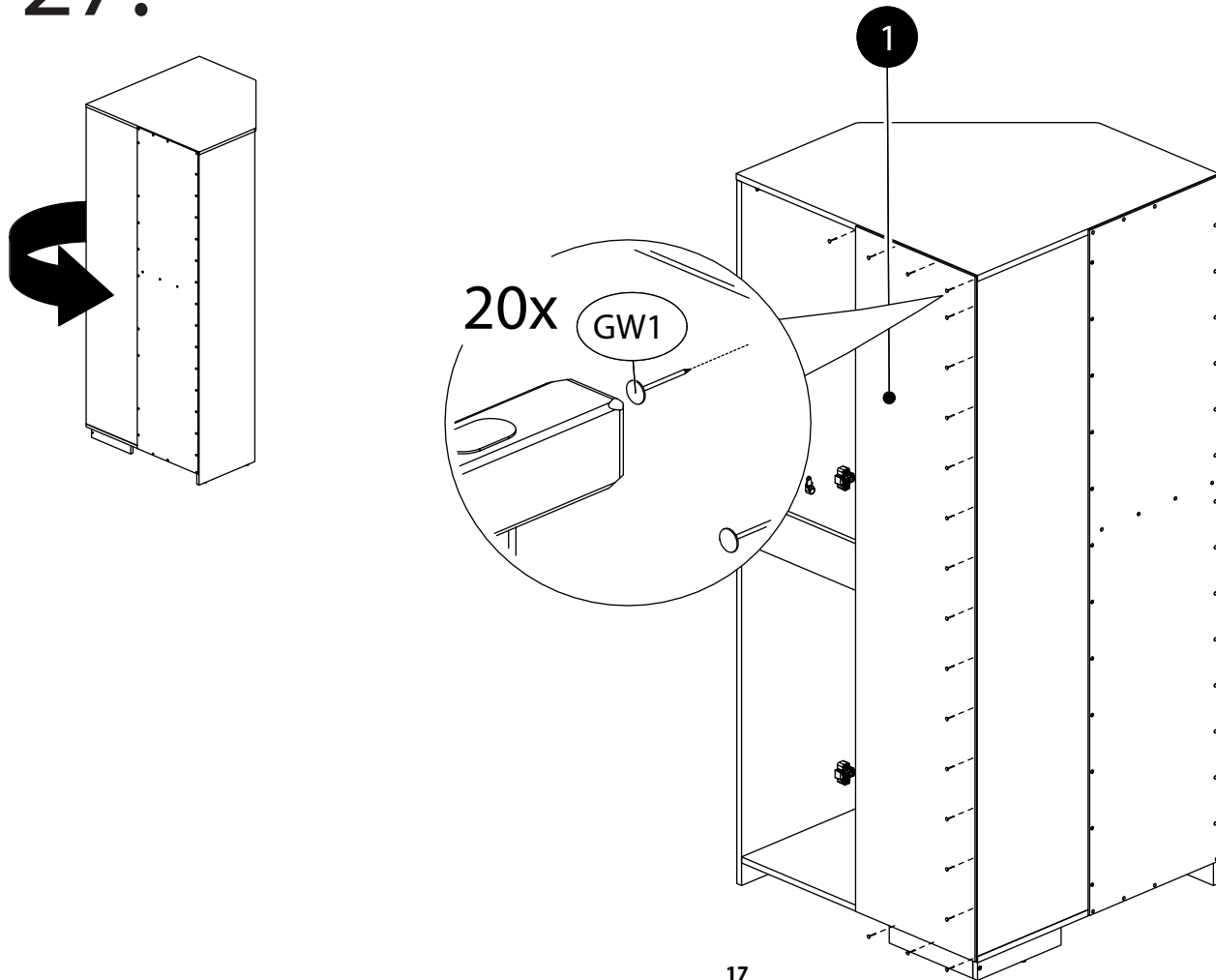




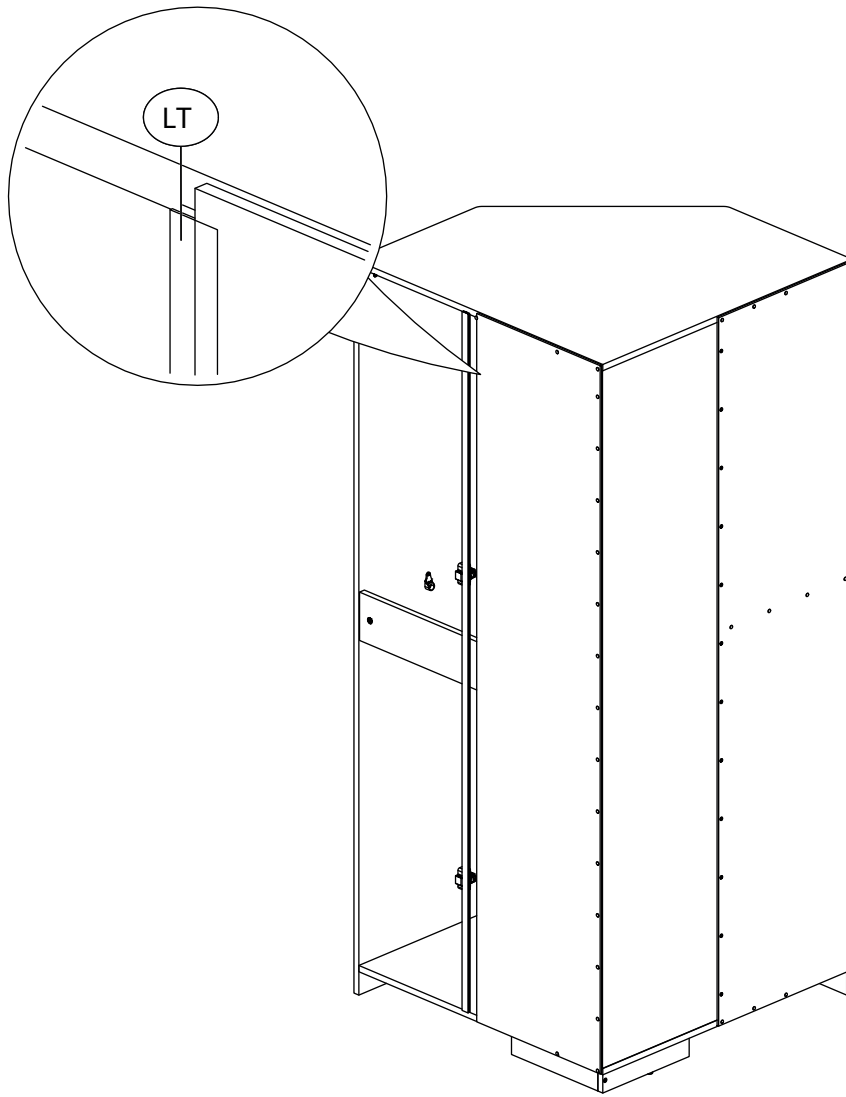
# 26.



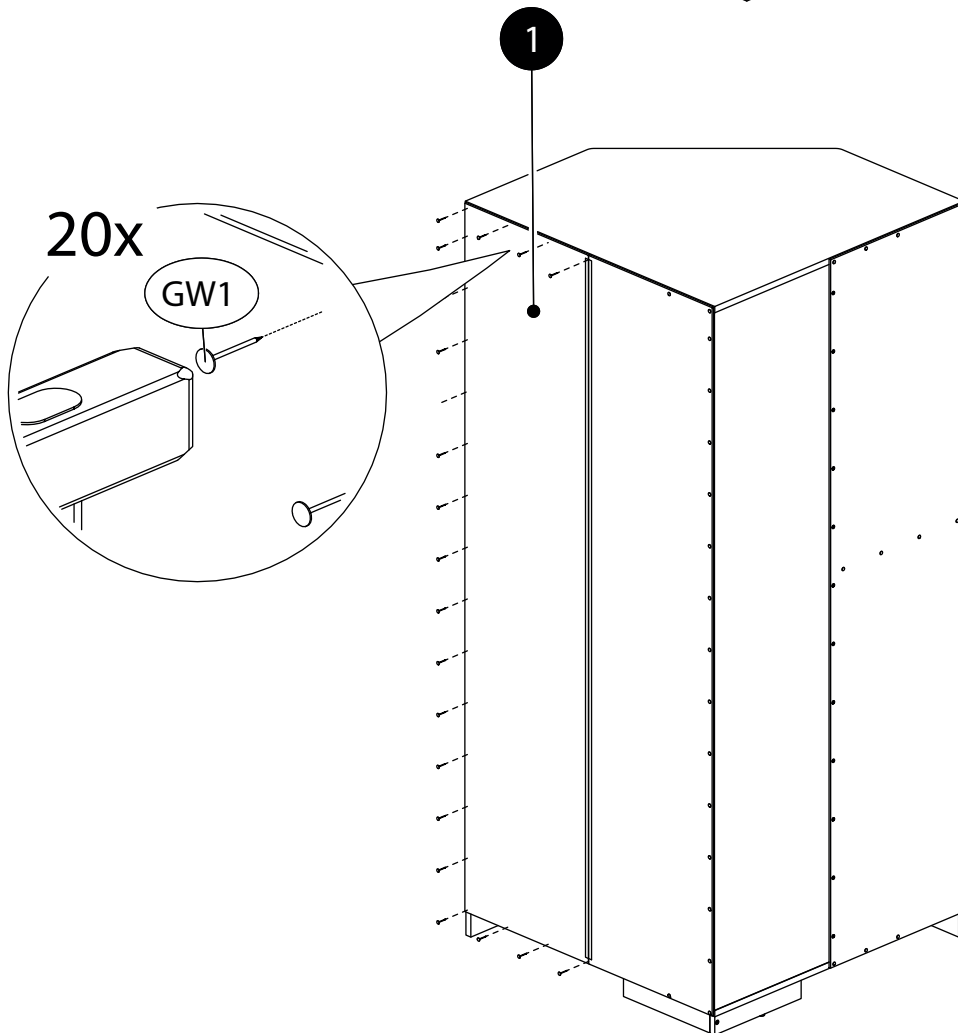
# 27.



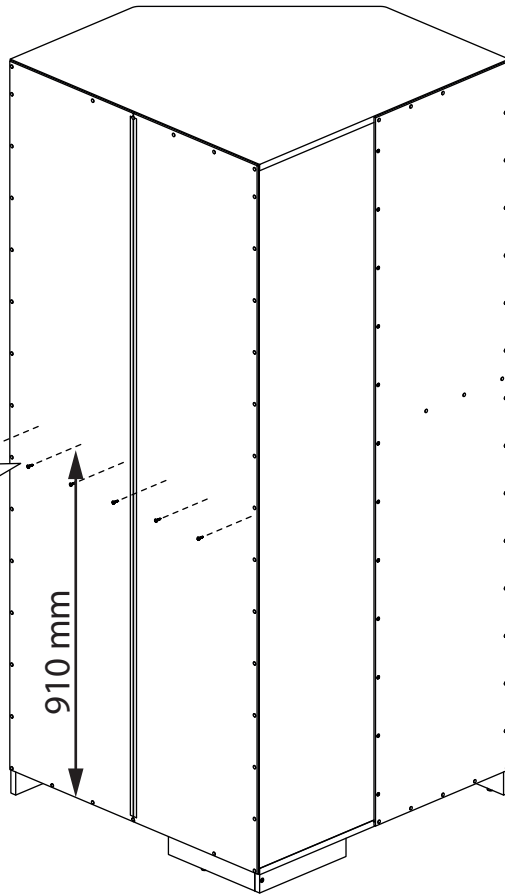
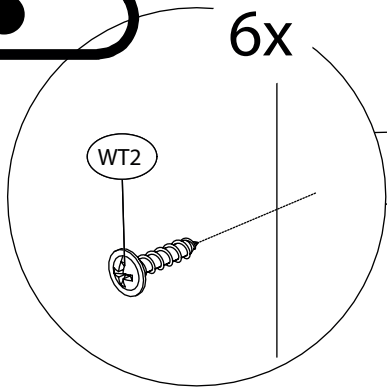
28.



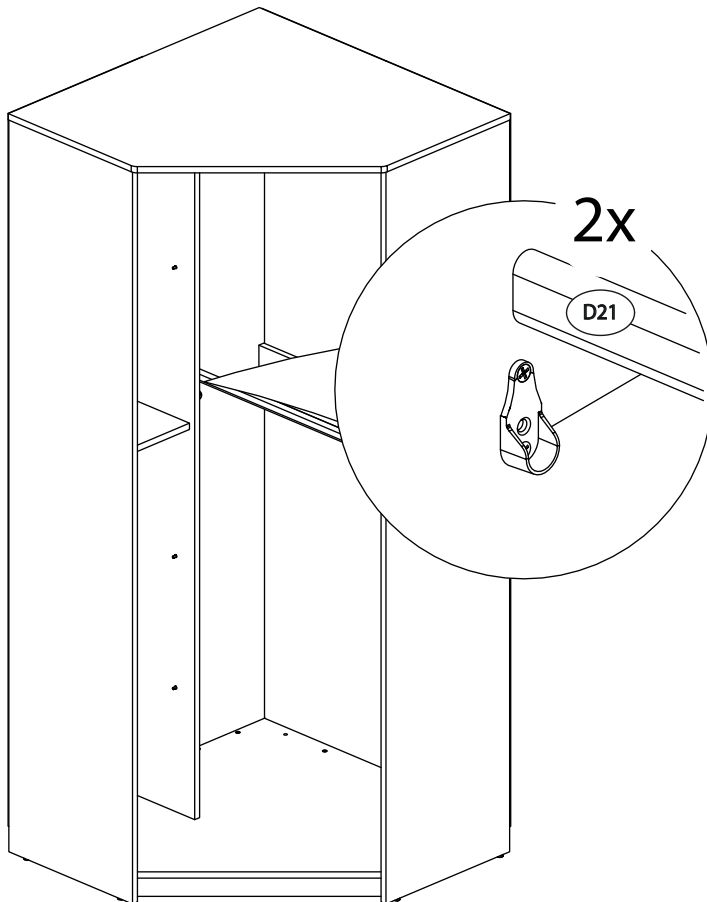
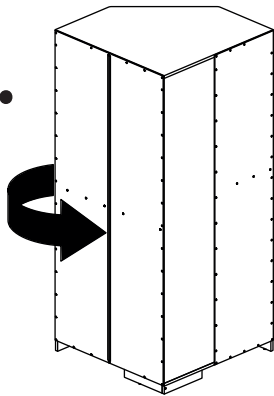
29.



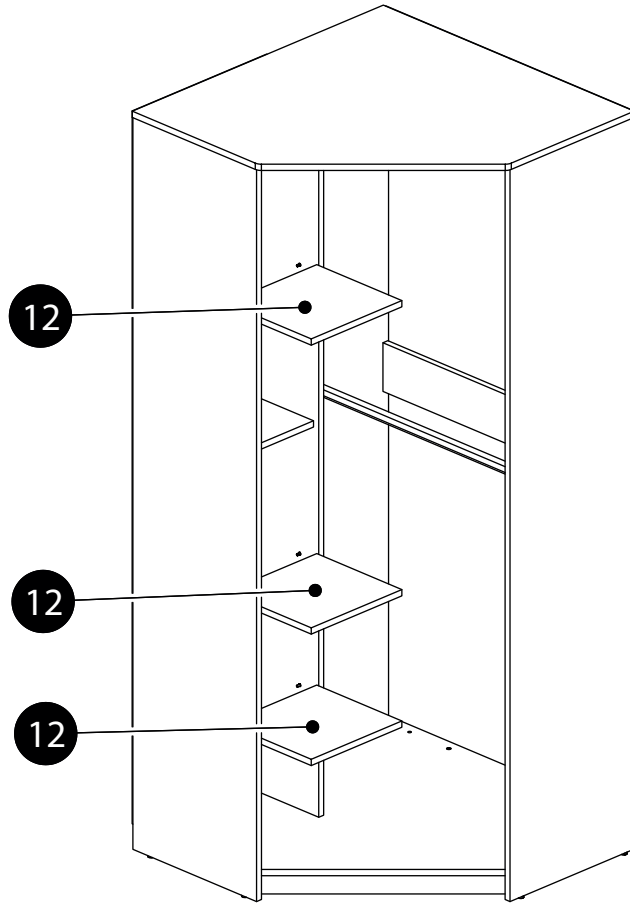
30.



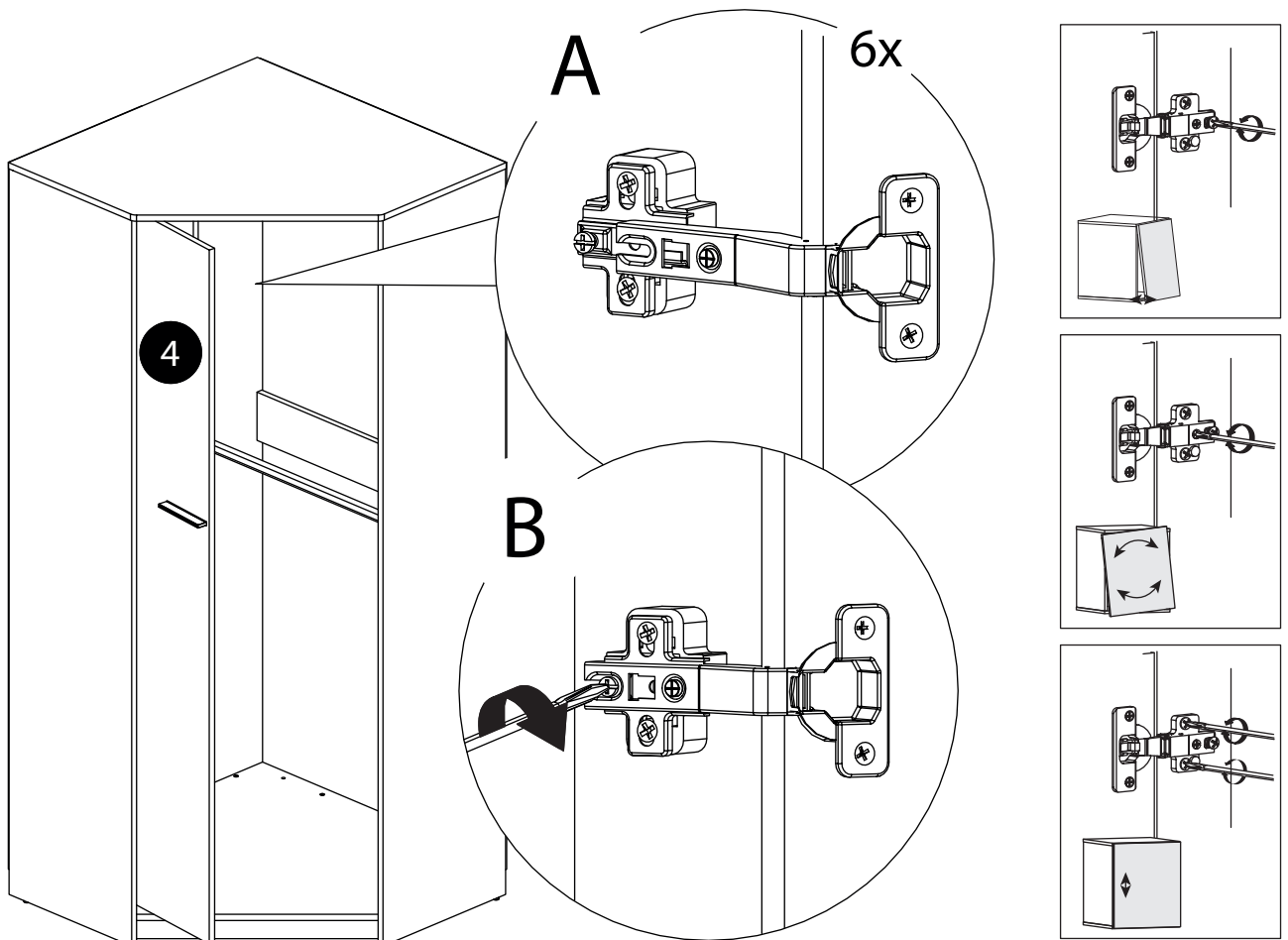
31.



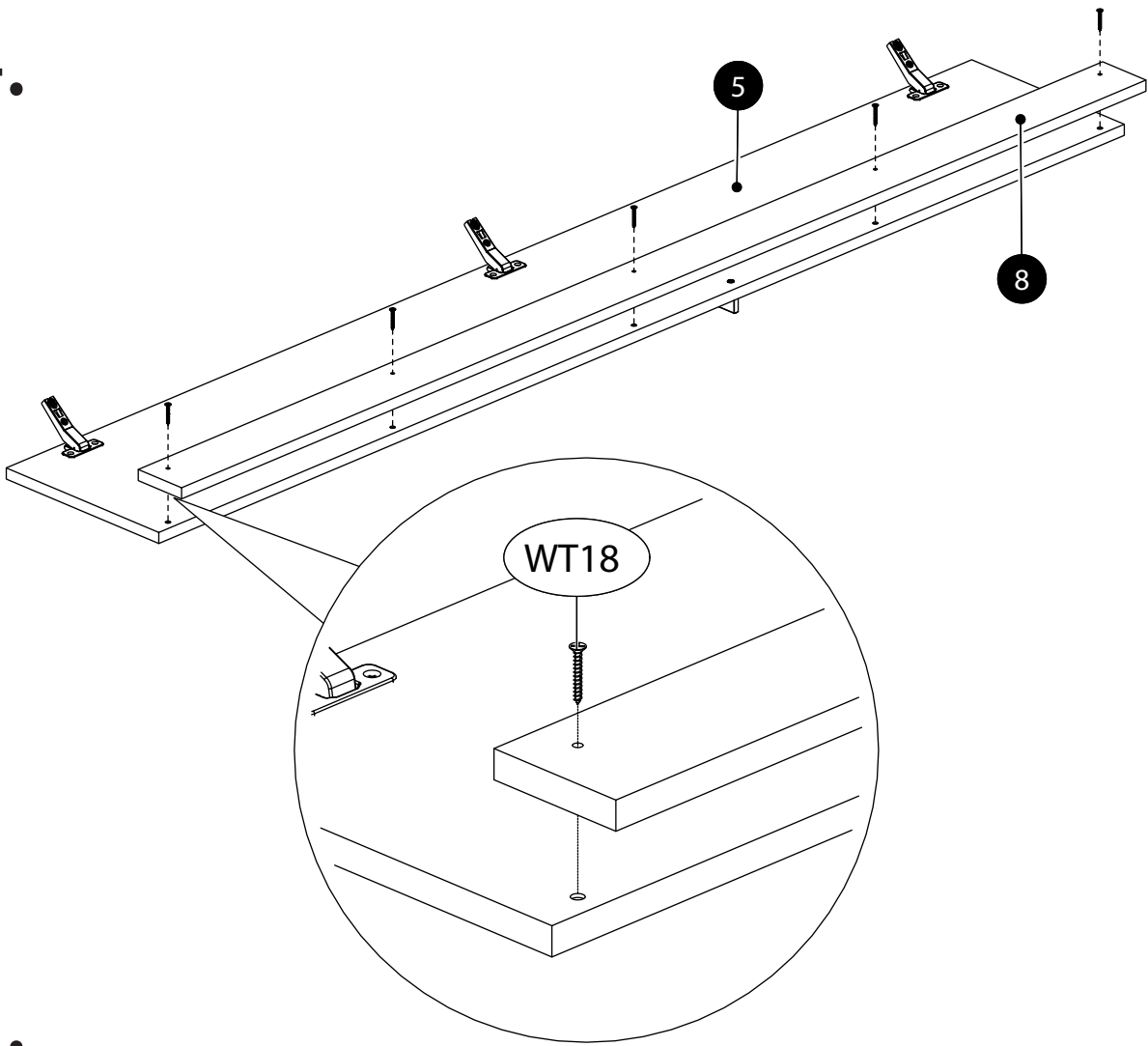
32.



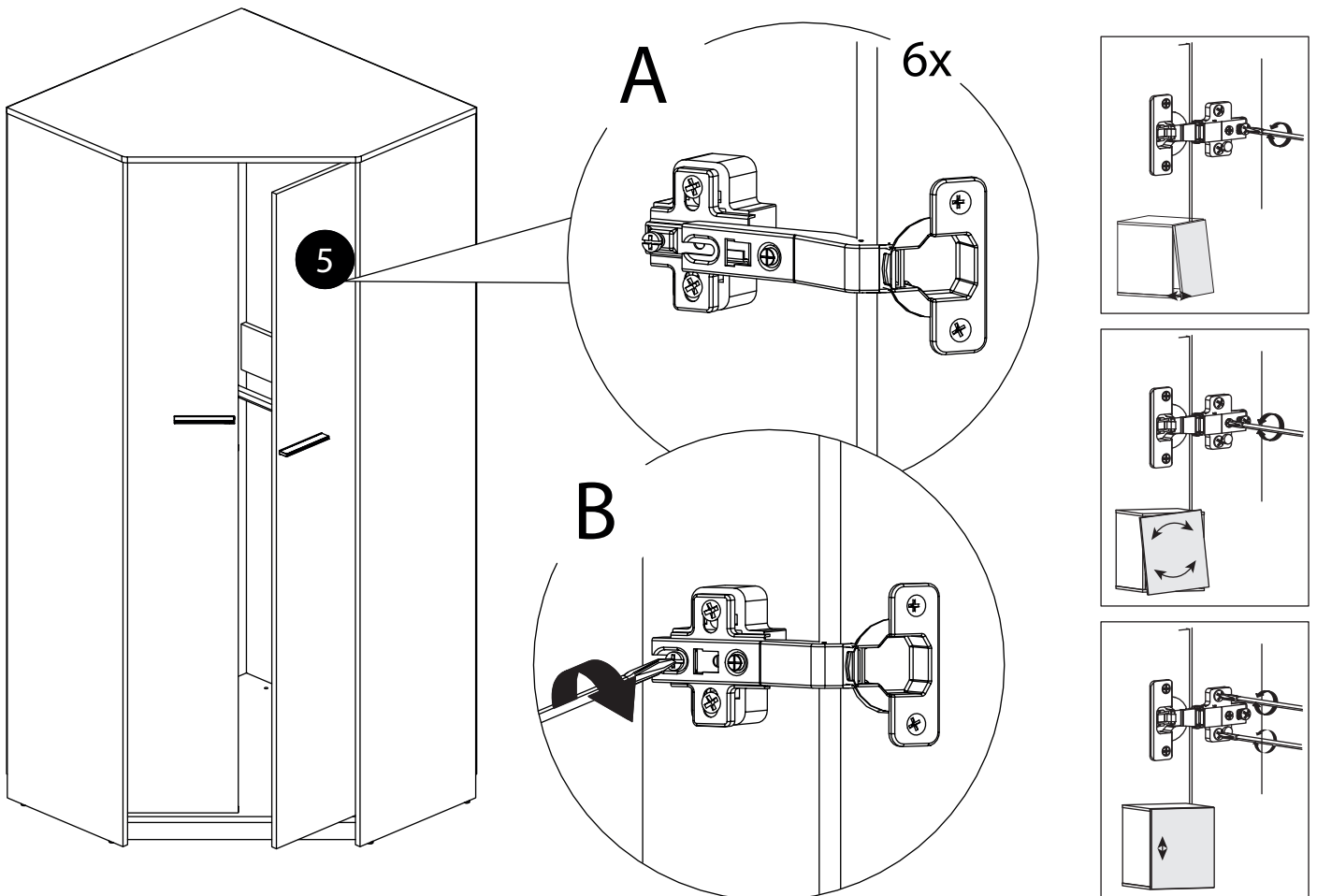
33.



34.



35.



36.

