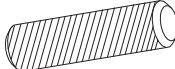
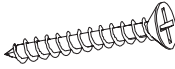
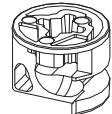
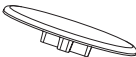



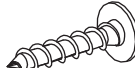

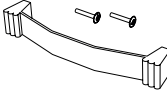



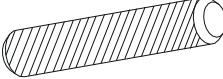

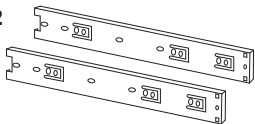
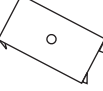
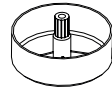


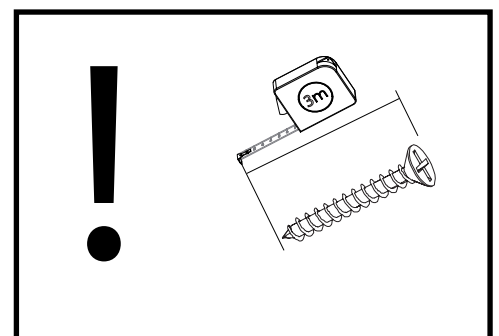


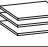



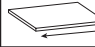

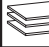
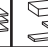
# MOCCA 14

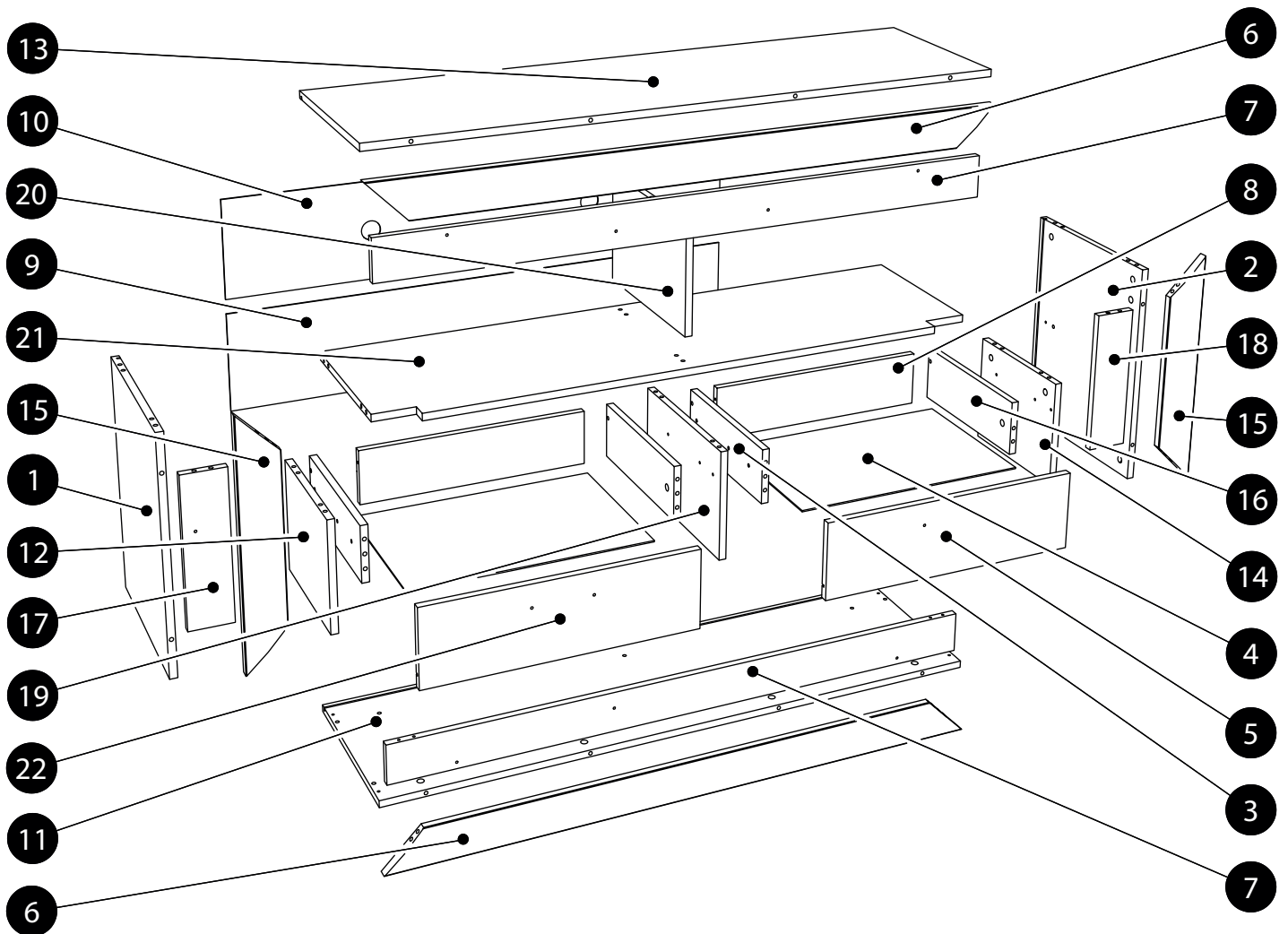
<p><b>K1</b> x 40 8x32</p> 	<p><b>WT18</b> x 10 4x30</p> 	<p><b>B2</b> x 56 h-12</p> 
<p><b>ZM1</b> x 13 Ø18</p> 	<p><b>WT1</b> x 4 3,5x15</p> 	<p><b>ZD1</b> x 4 L68</p> 
<p><b>ZJ1</b> x 44 L-43</p> 	<p><b>WT9</b> x 34 3x16</p> 	<p><b>SP</b> x 10</p> 
<p><b>UUR</b> x 2 L-128</p> 	<p><b>WE7</b> x 12 6,3x13ES</p> 	<p>x 1</p> 
<p><b>WS1</b> x 2 L-350</p> 	<p><b>K2</b> x 2 8x60</p> 	<p><b>KT1</b> x 4 6,3x50</p> 
<p><b>P1</b> x 2 L-350</p> 	<p><b>BR1</b> x 9</p> 	<p><b>SMO</b> x 5 Ø50 h25</p> 
<p><b>GW1</b> x 14 1,4x25</p> 	<p><b>ZD2</b> x 2 L-76</p> 	



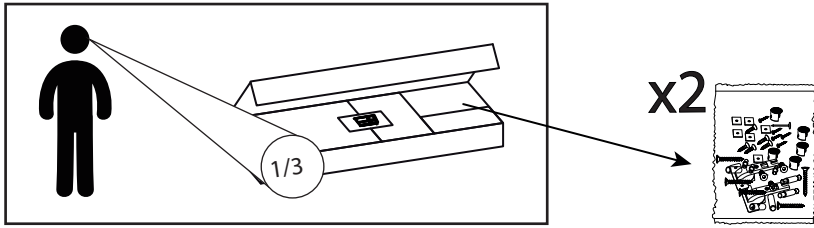
# MOCCA 14

	CODE				
1	Mocca14_03	510	400	1	1/3
2	Mocca14_04	510	400	1	1/3
3	Mocca14_12	124	350	2	1/3
4	Mocca14HDF_01	540	355	2	2/3
5	Mocca14_11	580	172	1	2/3
6	Mocca14_19	1378	88	2	3/3
7	Mocca14_15	1342	92	2	2/3
8	Mocca14_14	124	513	2	1/3
9	Mocca14HDF_02	1353	263	1	2/3
10	Mocca14HDF_03	1353	257	1	2/3

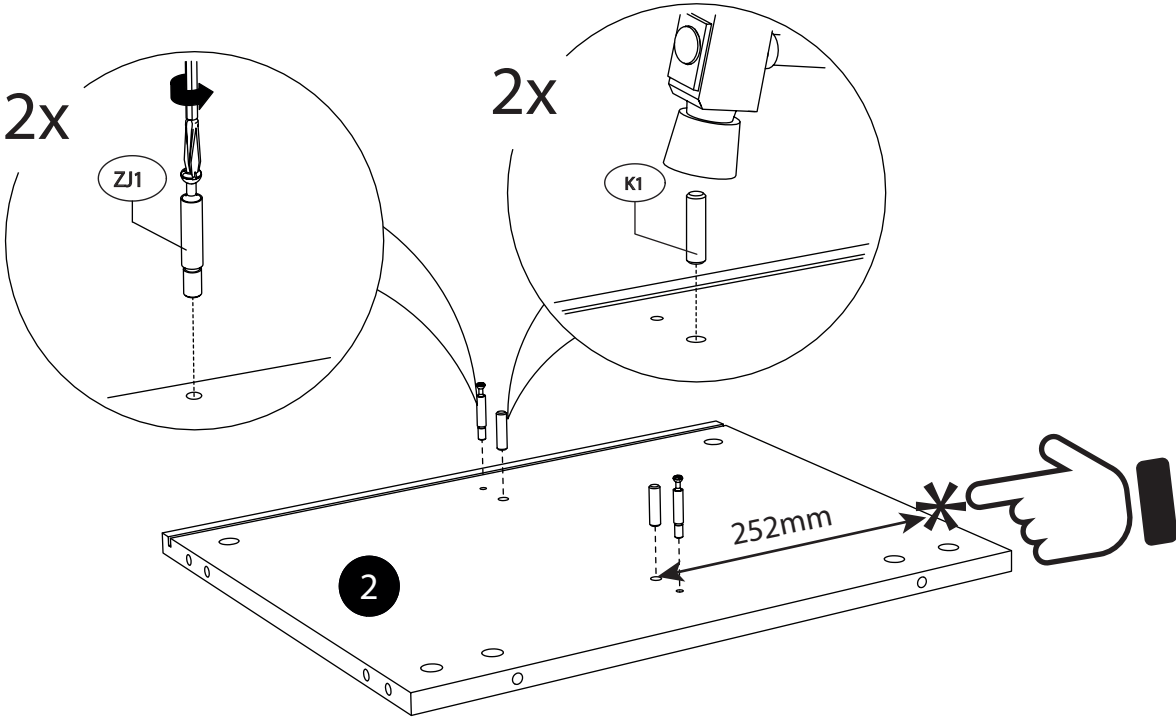
	CODE				
11	Mocca14_02	1378	400	1	2/3
12	Mocca14_08	250	300	1	1/3
13	Mocca14_01	1378	400	1	2/3
14	Mocca14_09	250	300	1	1/3
15	Mocca14_18	544	88	2	3/3
16	Mocca14_13	124	350	2	1/3
17	Mocca14_16	325	92	1	1/3
18	Mocca14_17	325	92	1	1/3
19	Mocca14_07	250	369	1	1/3
20	Mocca14_06	244	369	1	1/3
21	Mocca14_05	1343	385	1	2/3
22	Mocca14_10	580	172	1	2/3



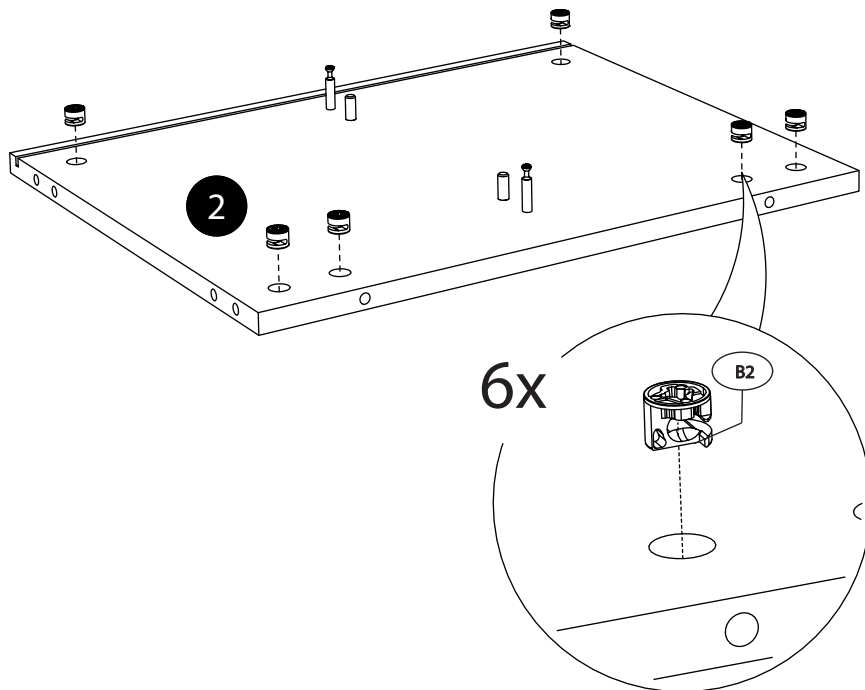
1.



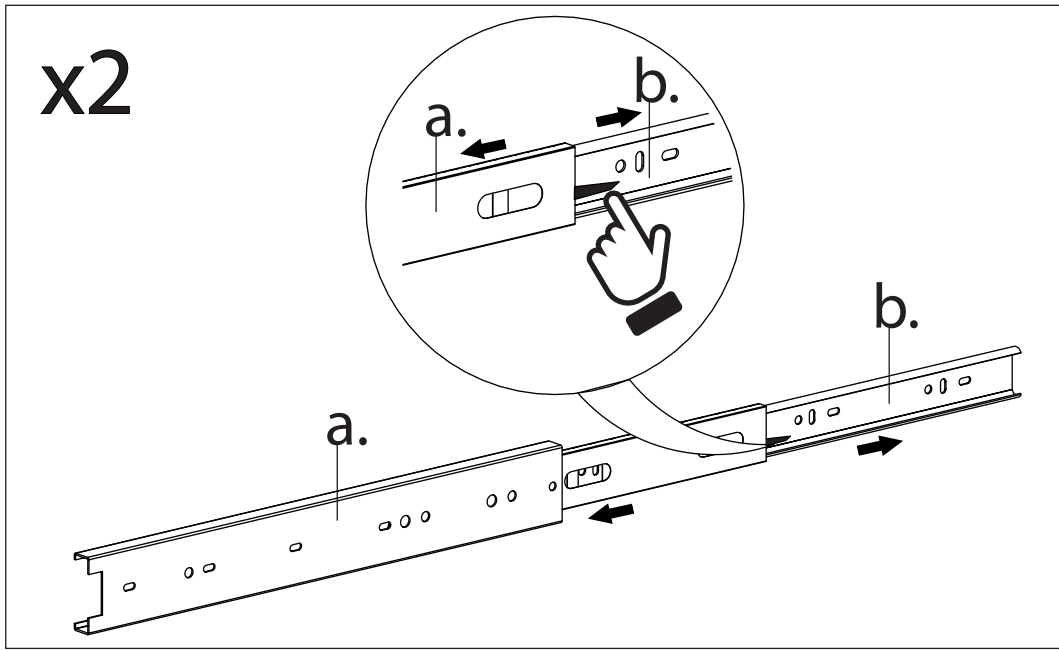
2a. 2x



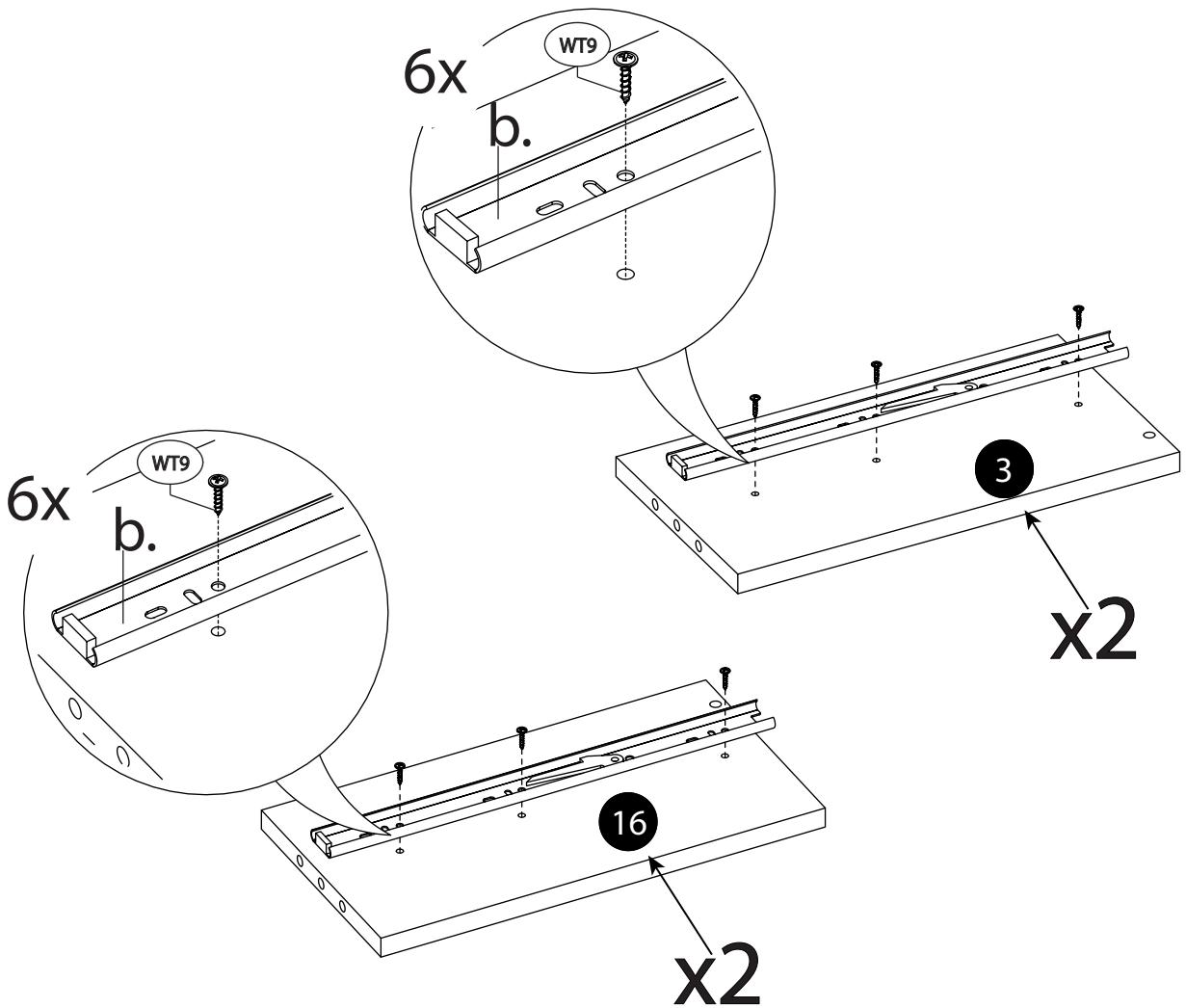
2b.



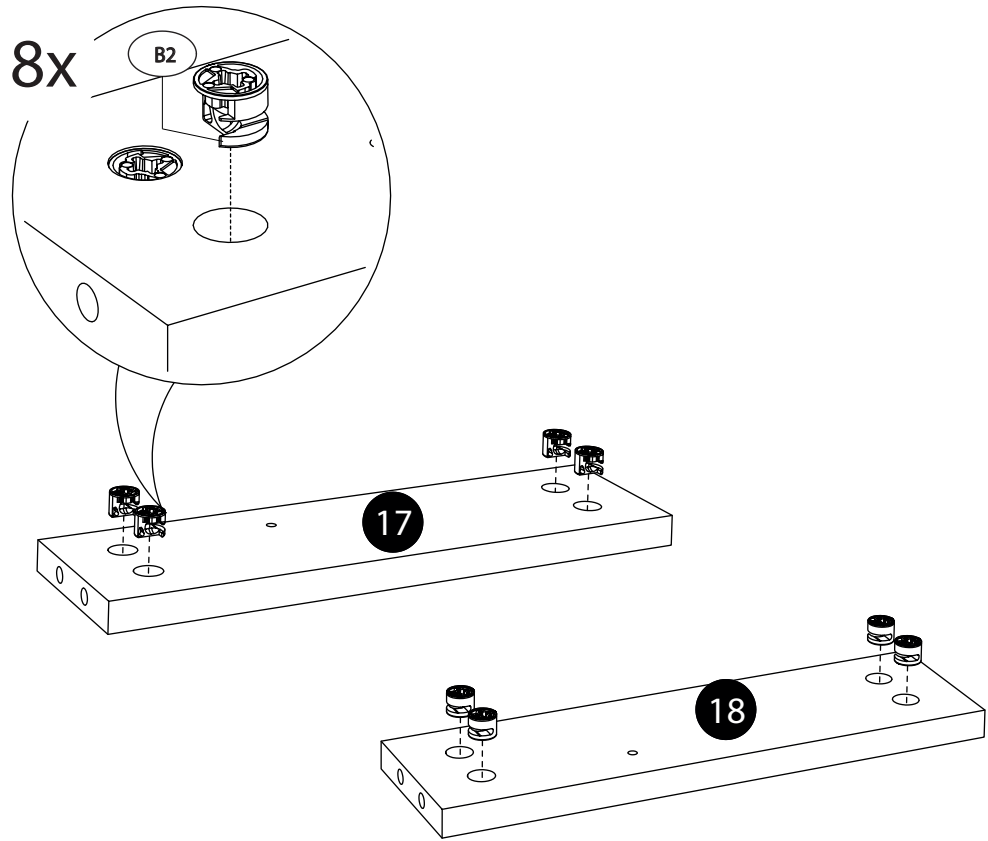
3.



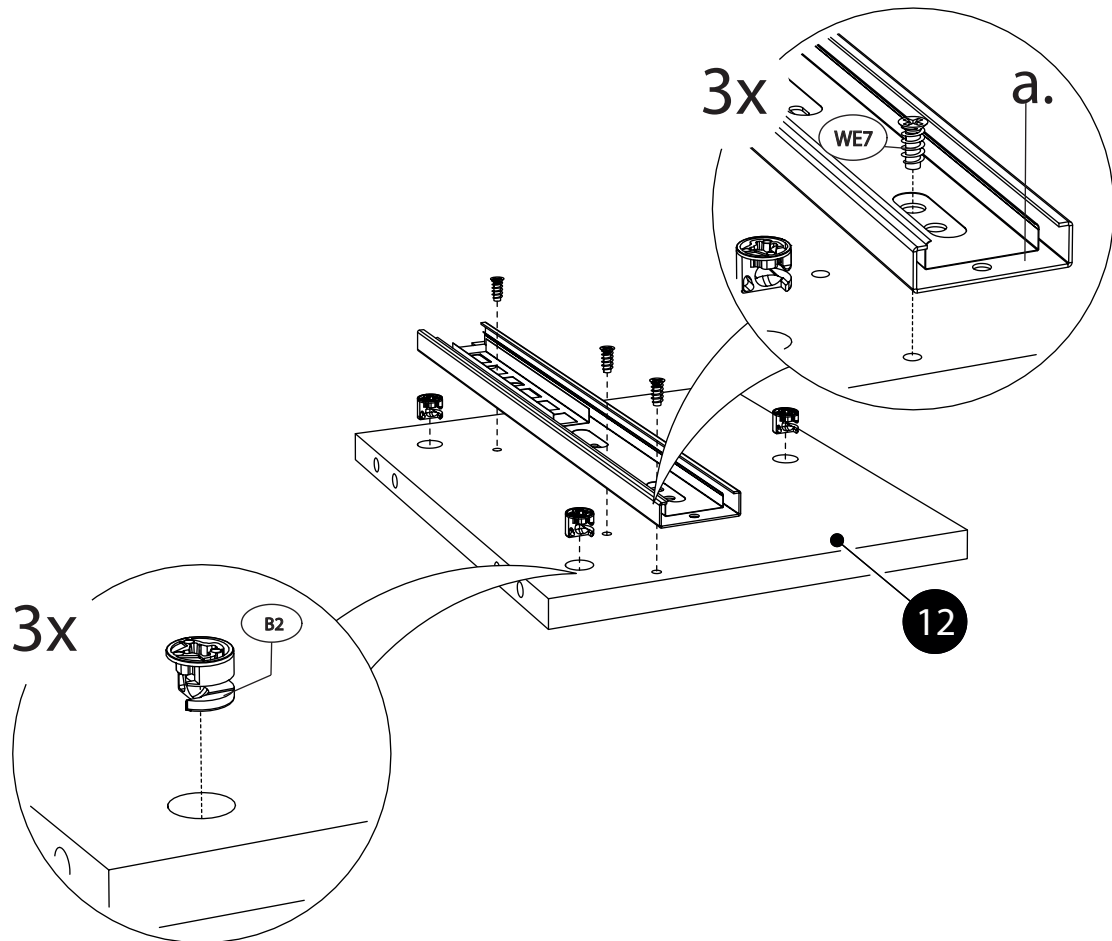
4.



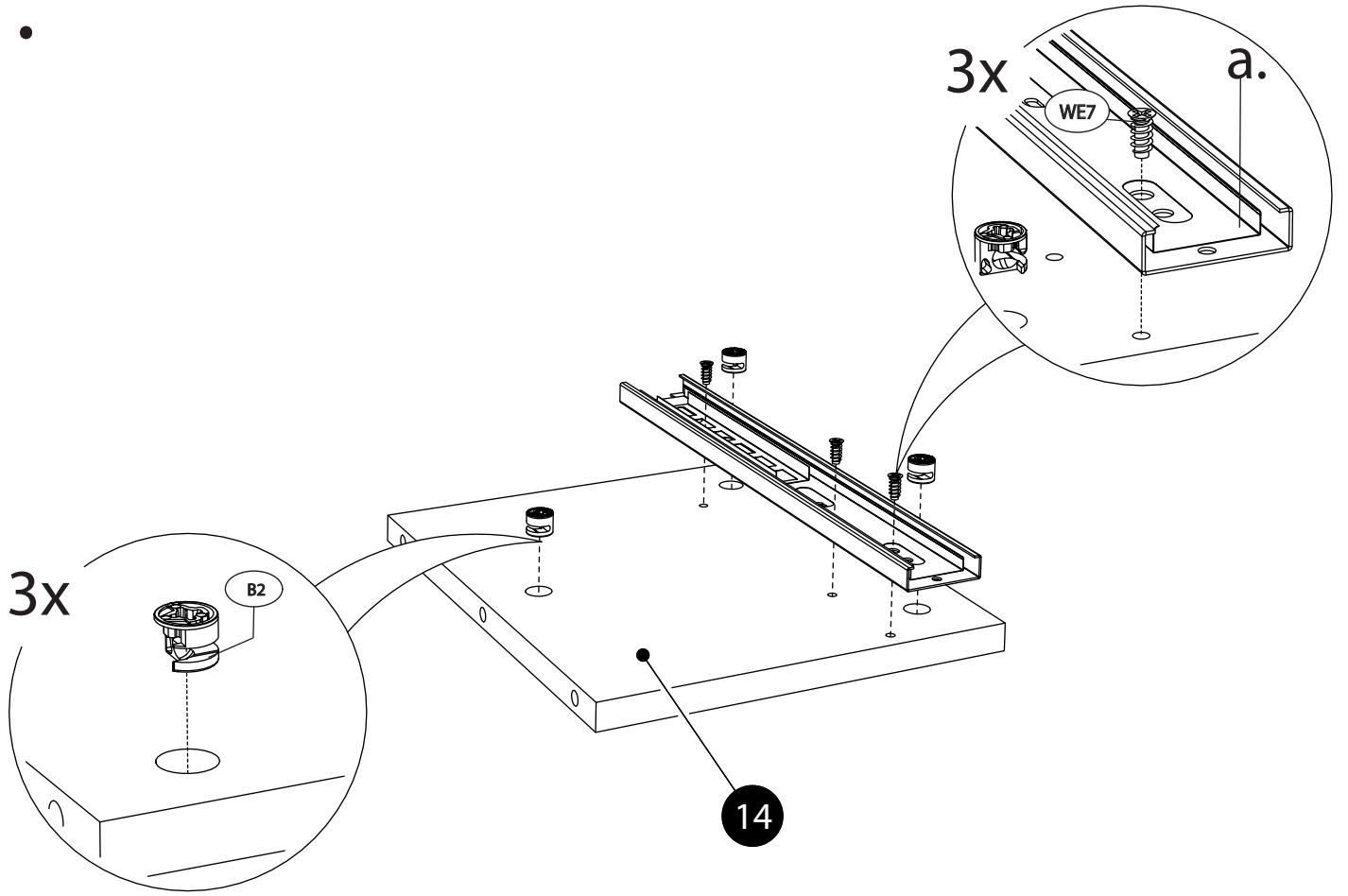
5.



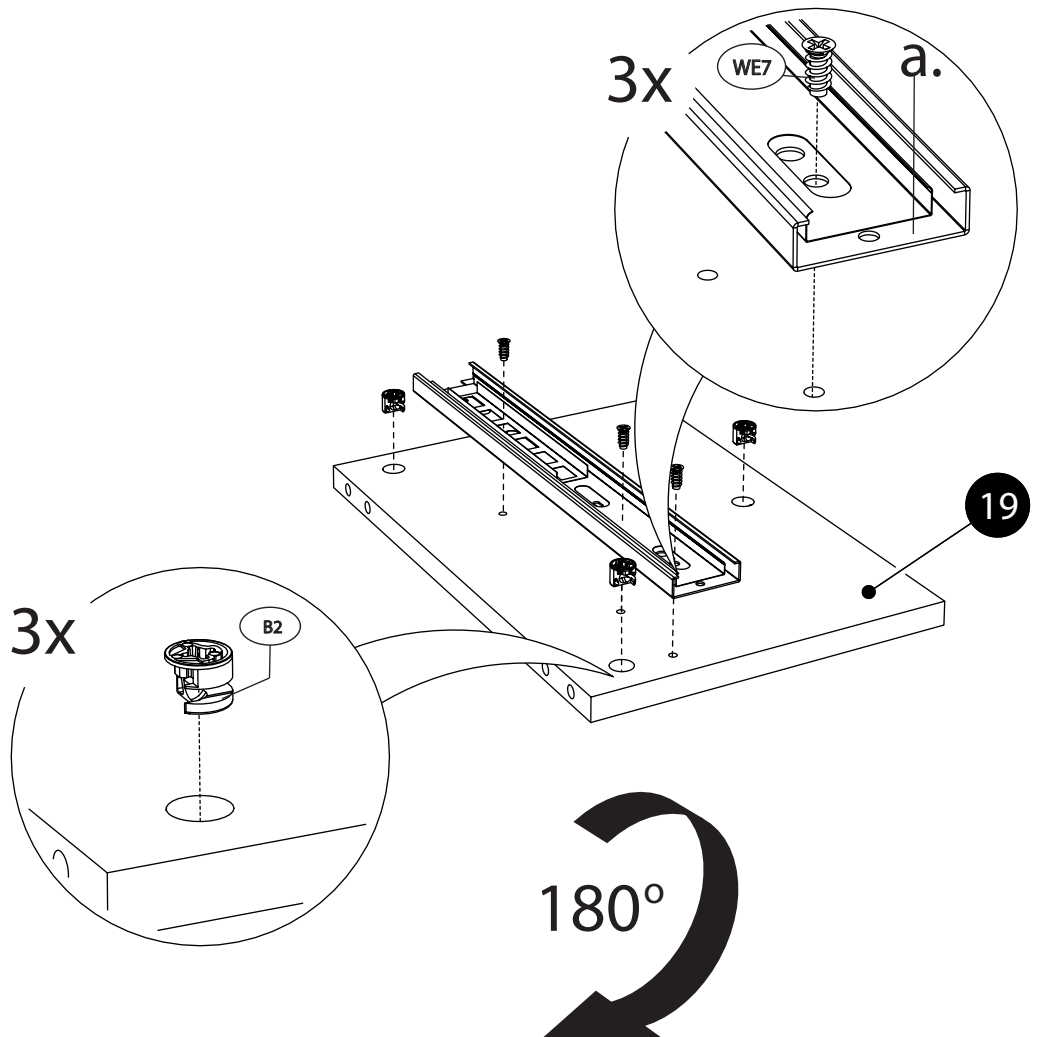
6.



7.

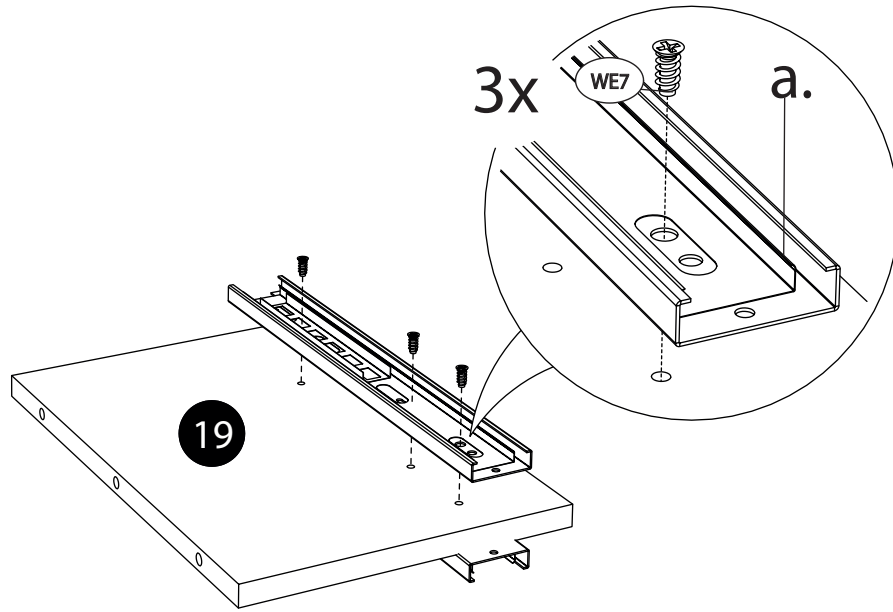


8.

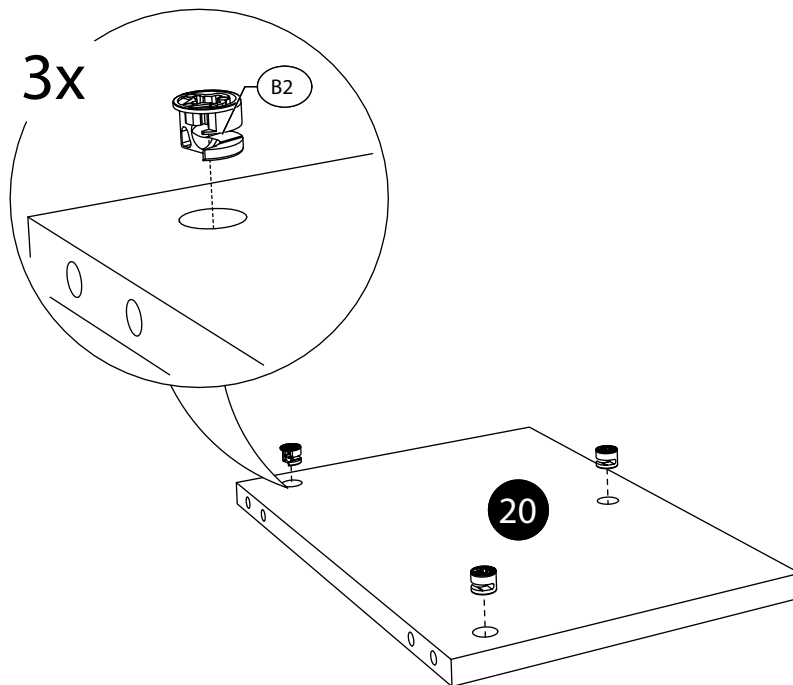




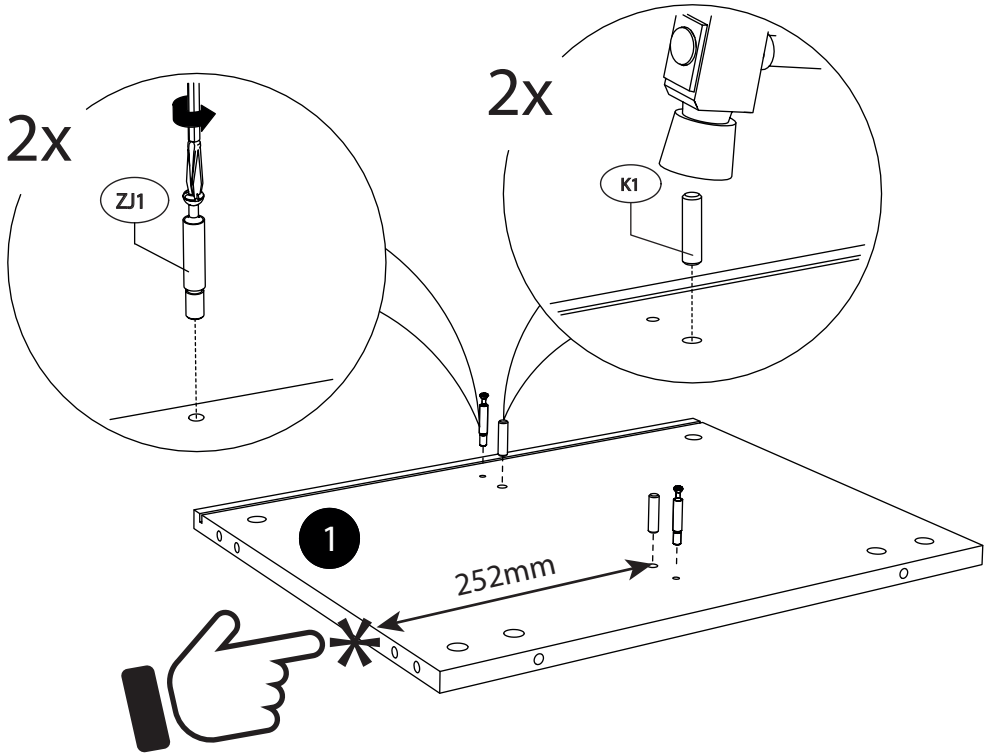
9.



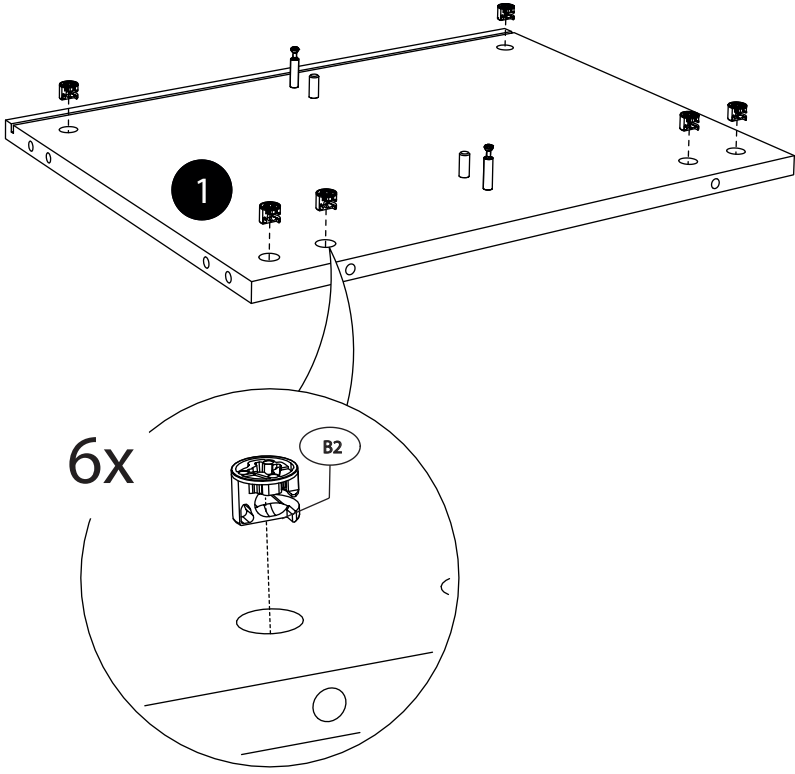
10.



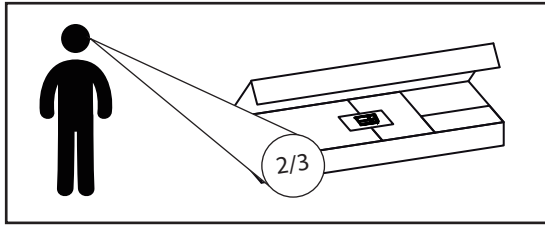
11a.



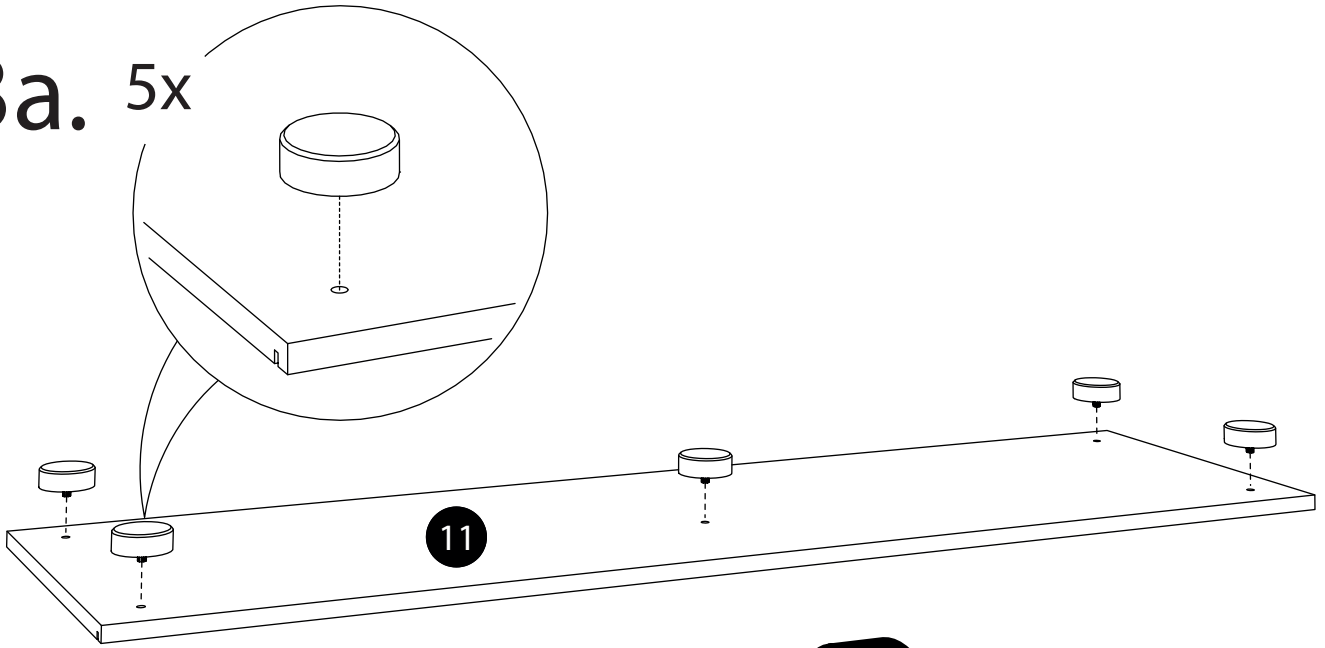
11b.



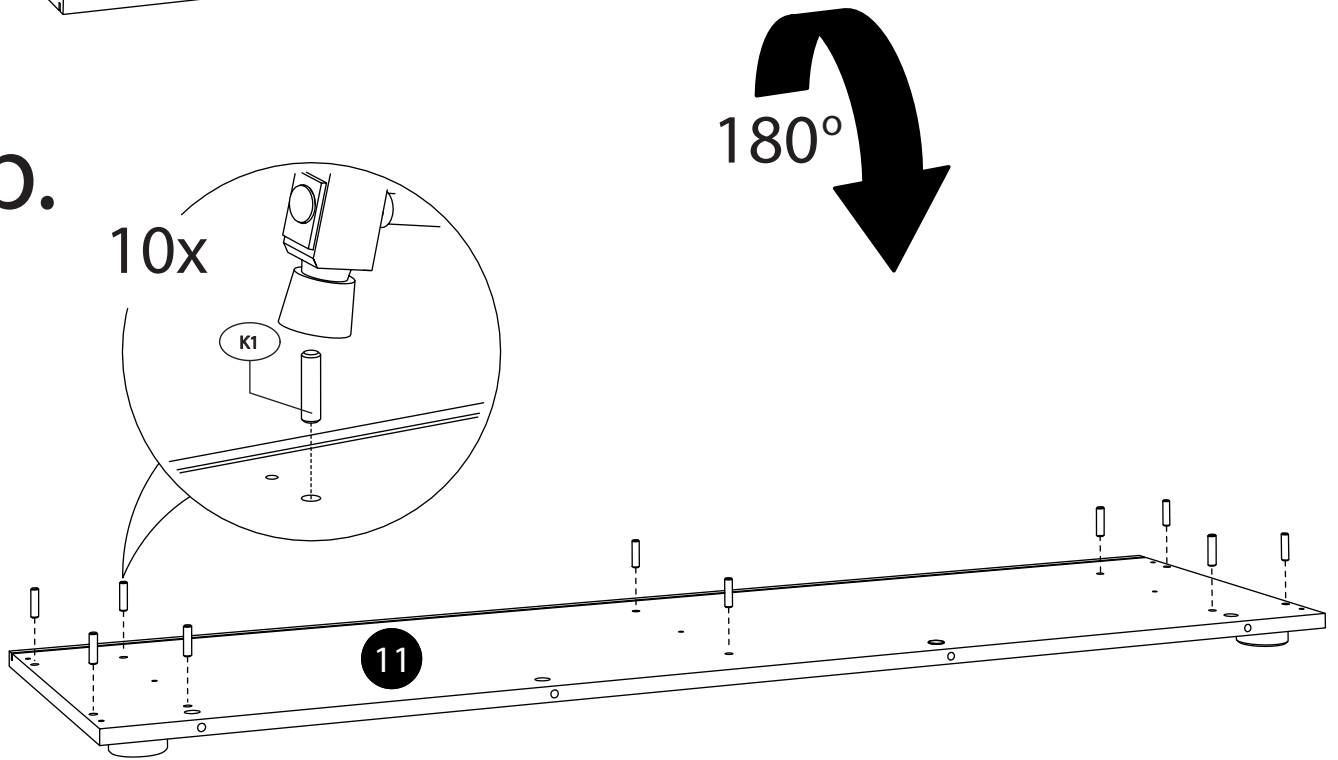
12.



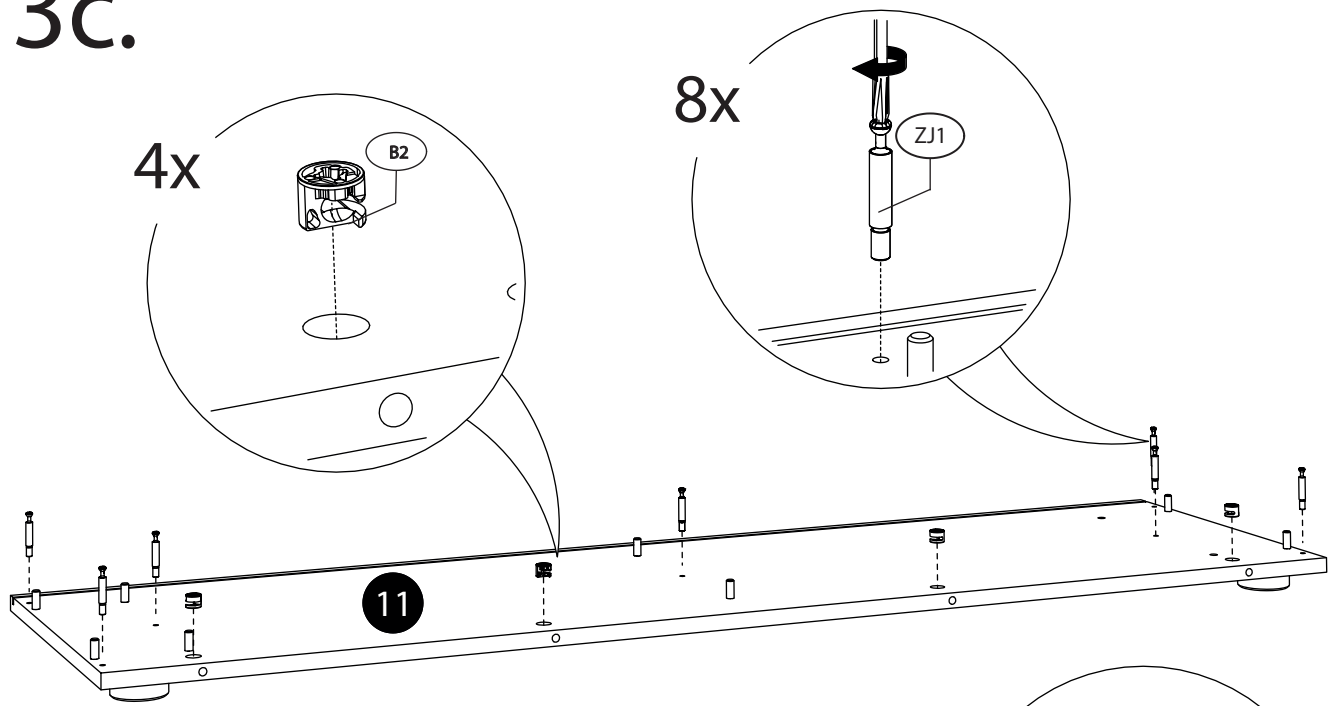
13a. 5x



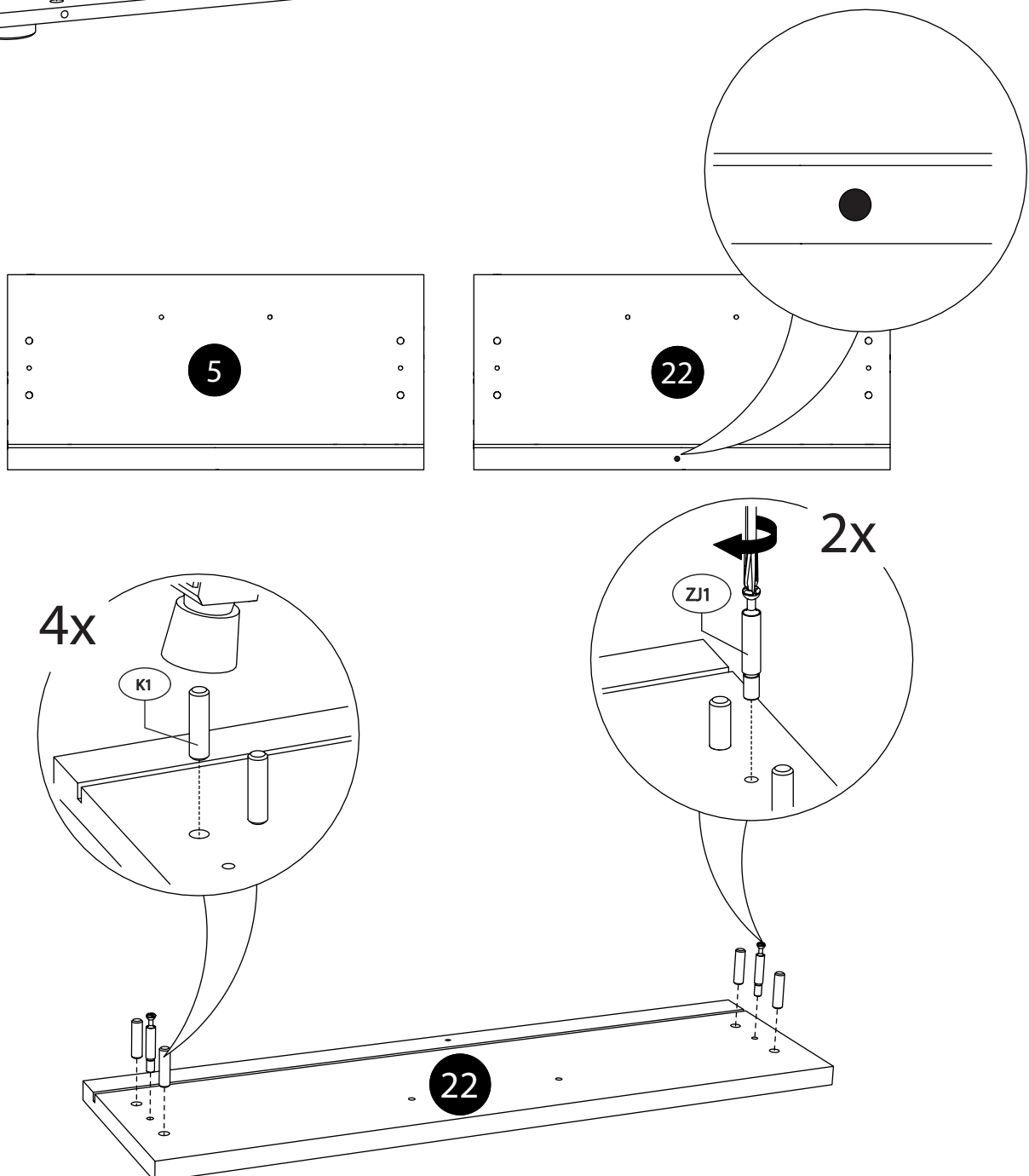
13b.



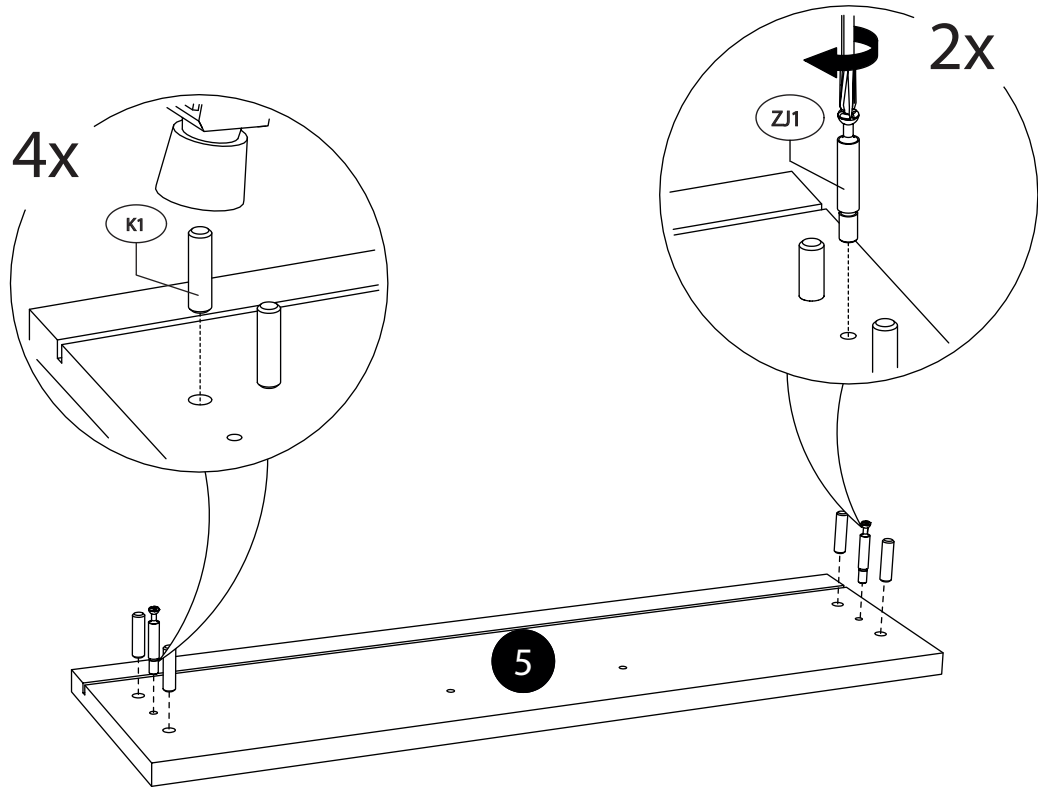
# 13c.



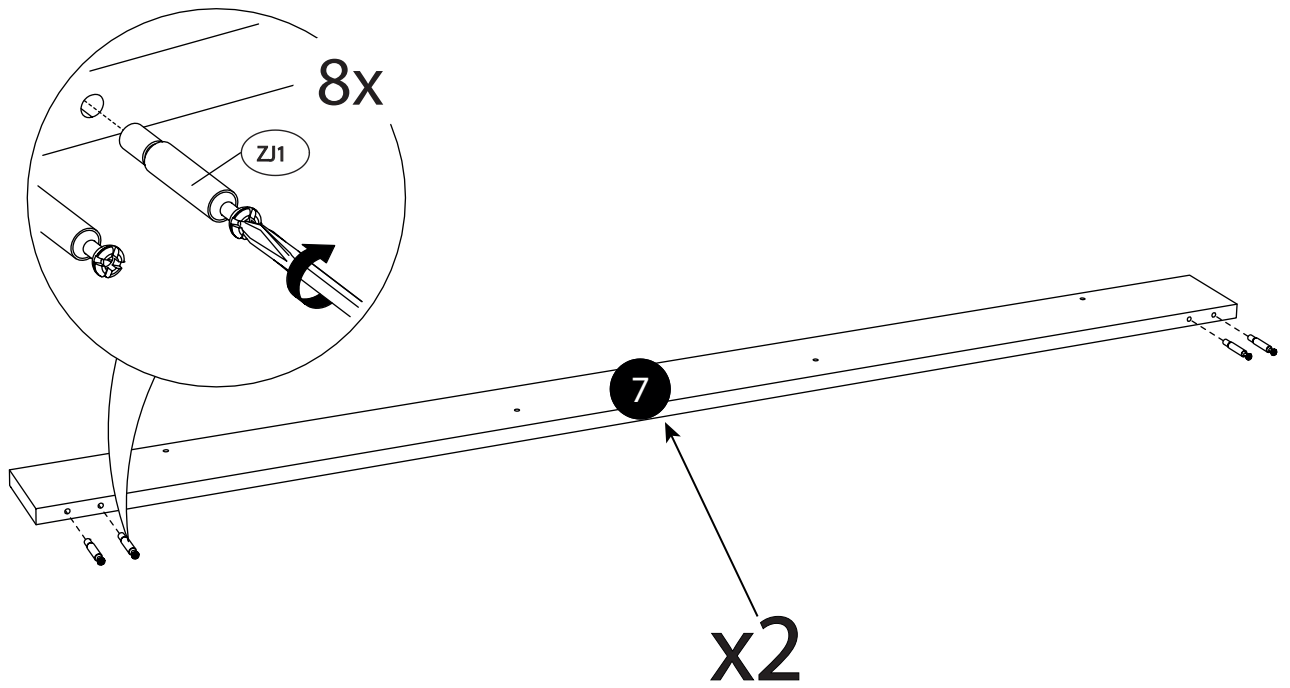
# 14.



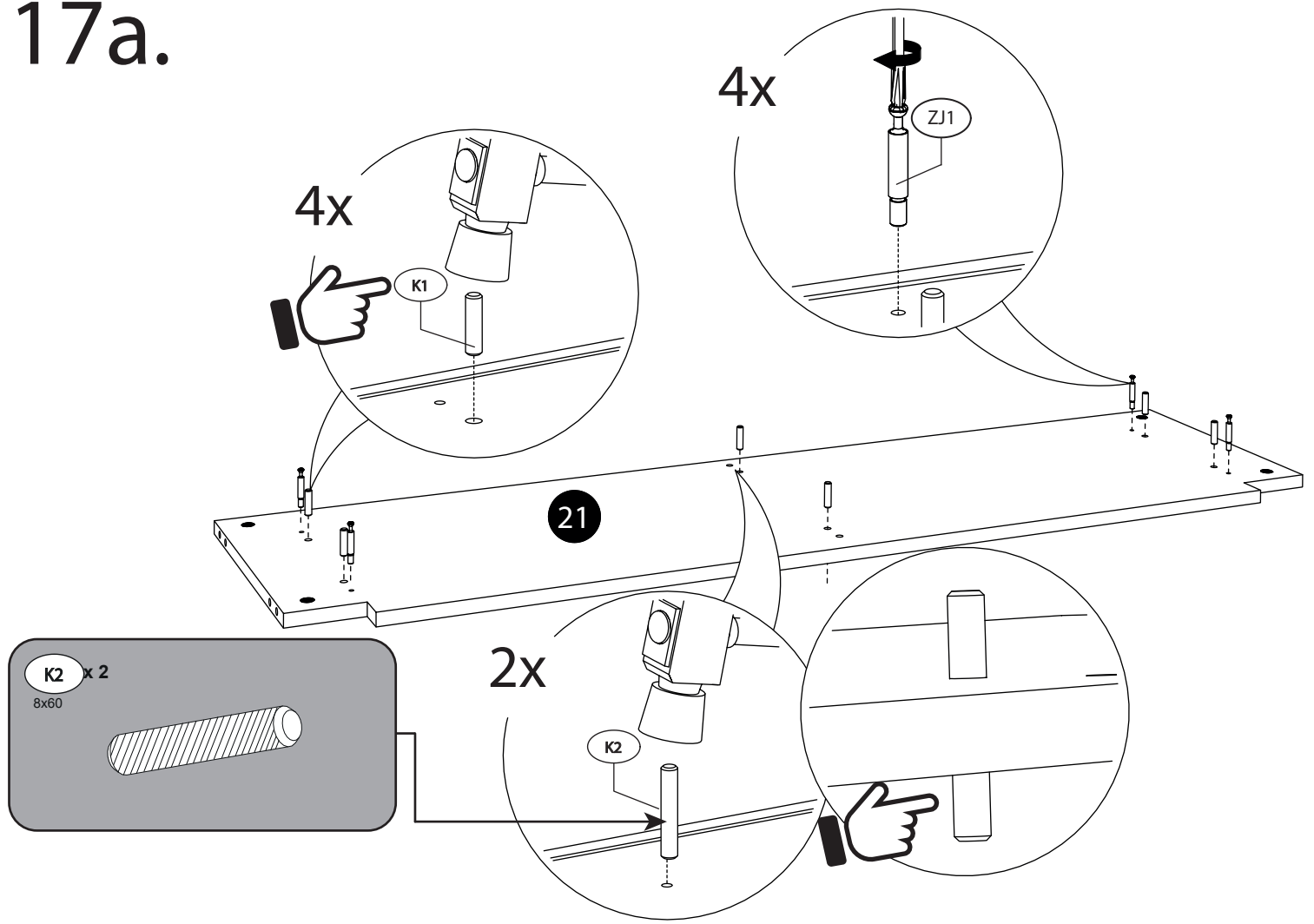
15.



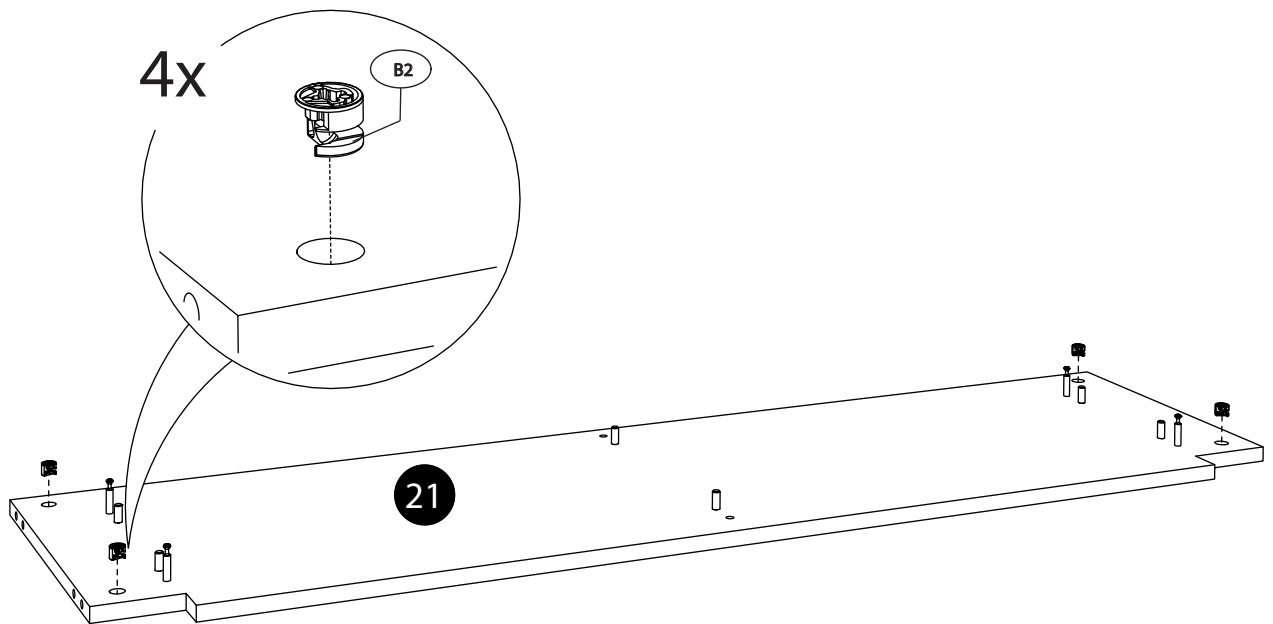
16.



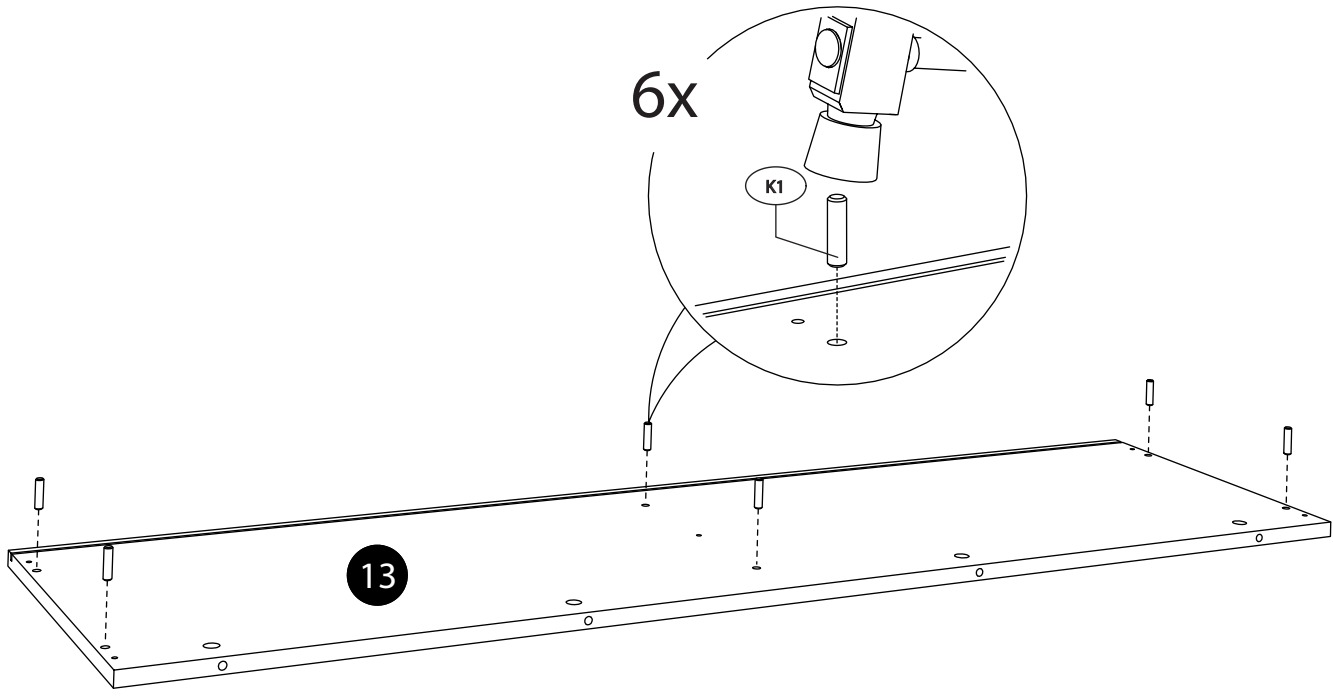
# 17a.



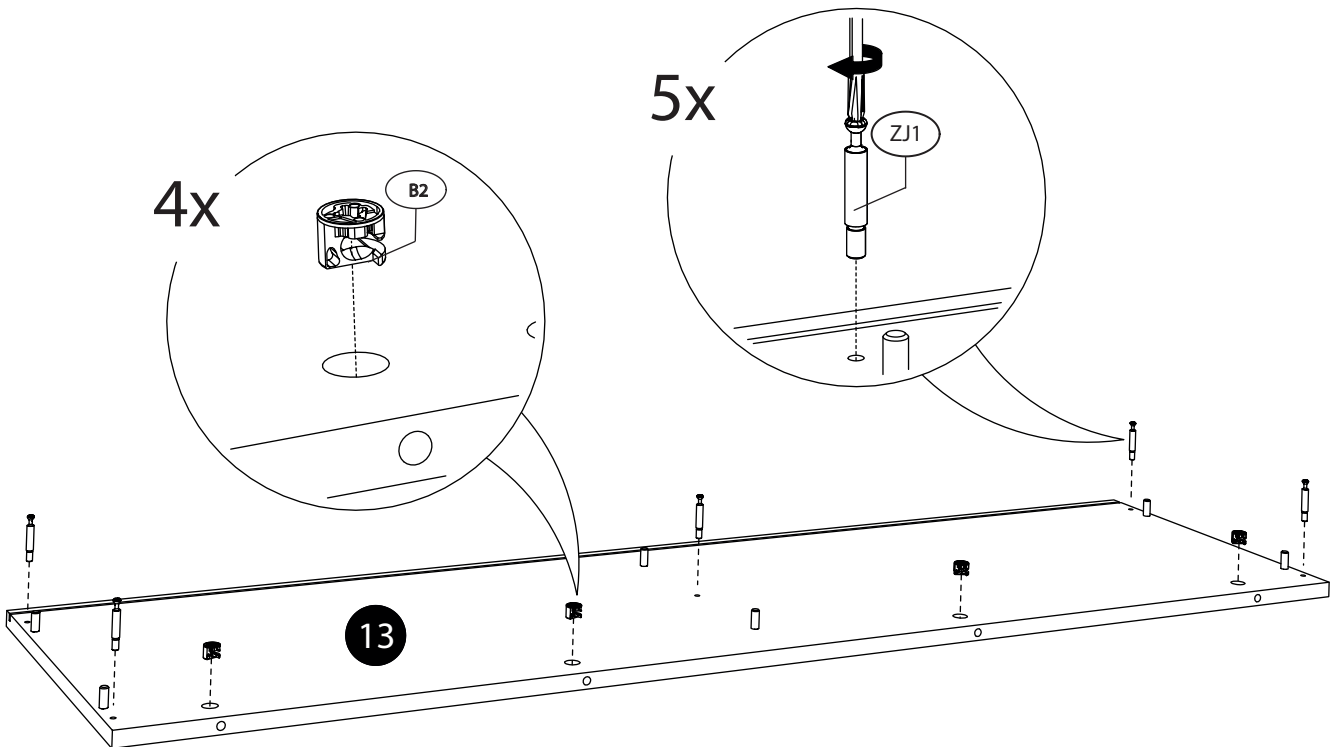
# 17b.



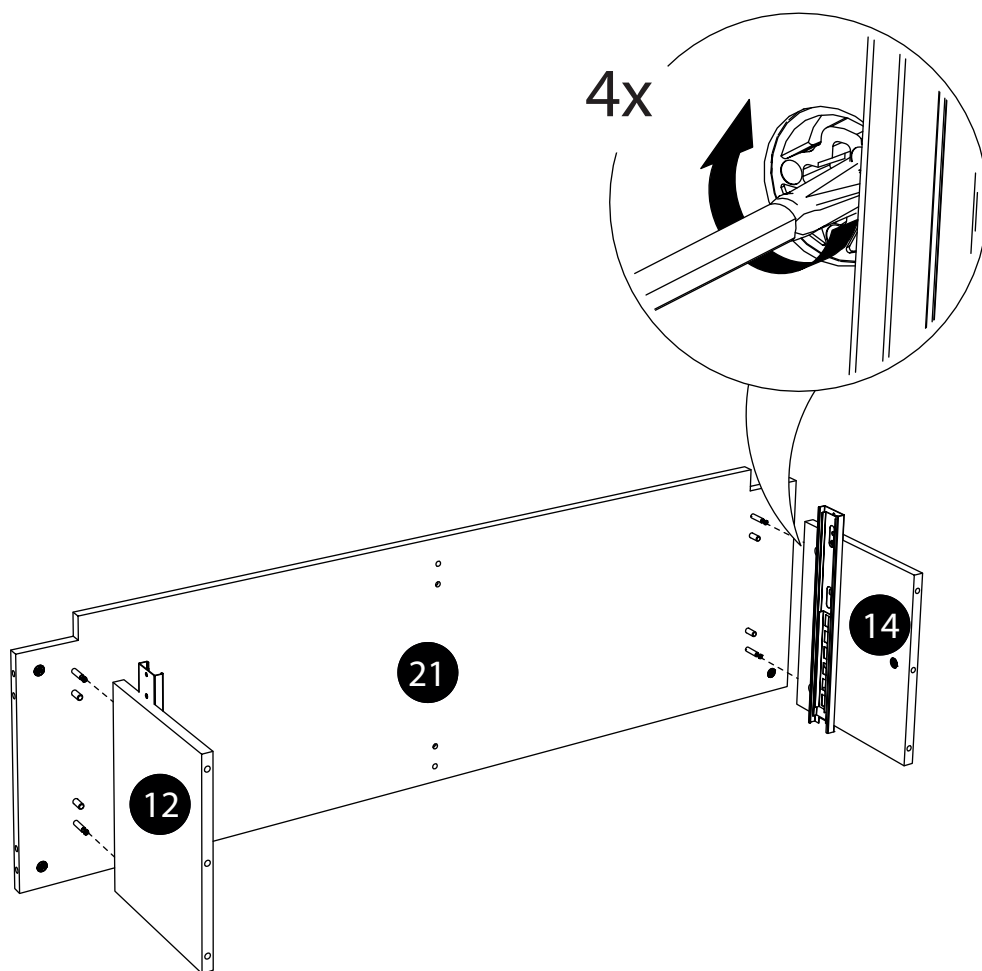
# 18a.



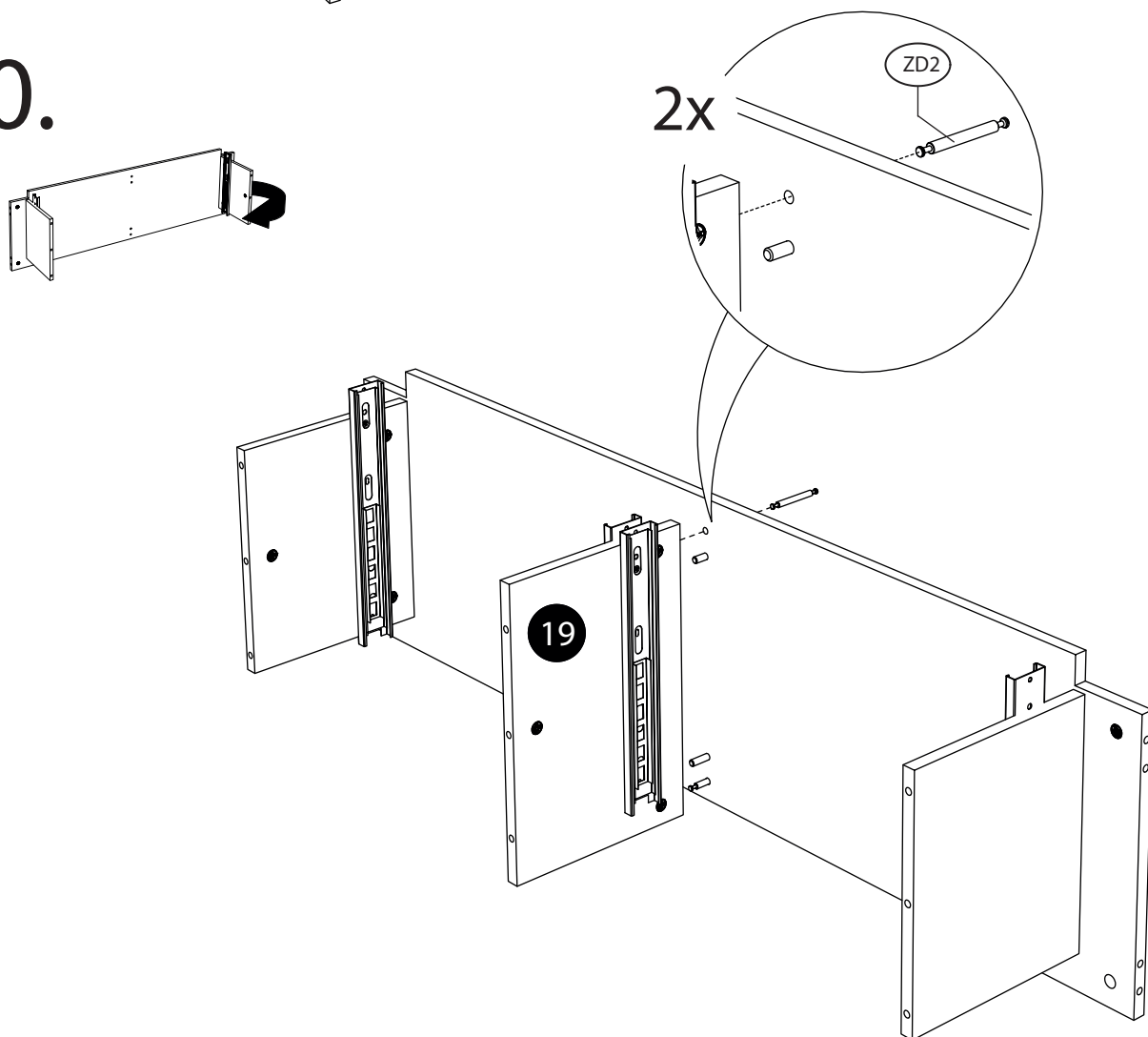
# 18b.



19.

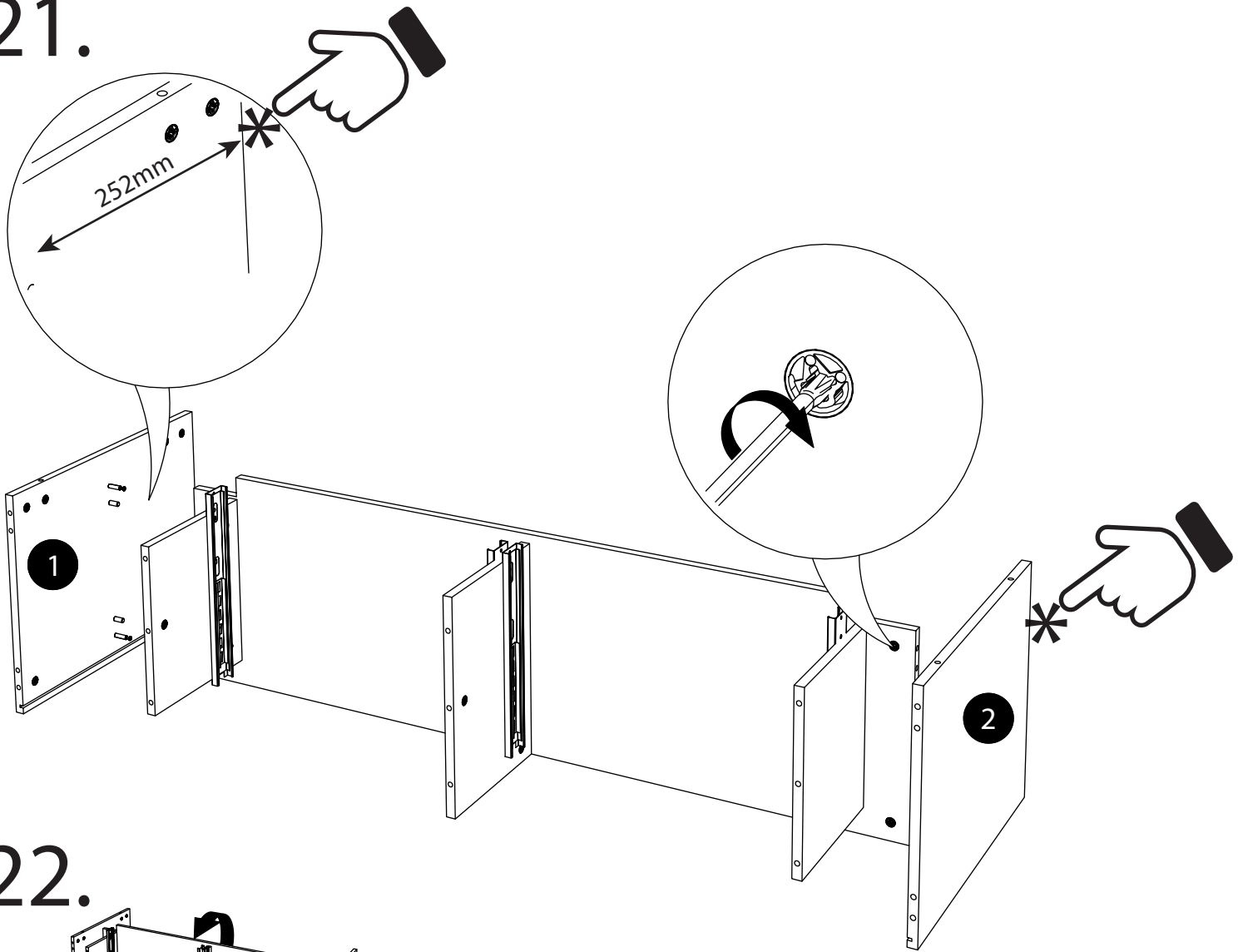


20.

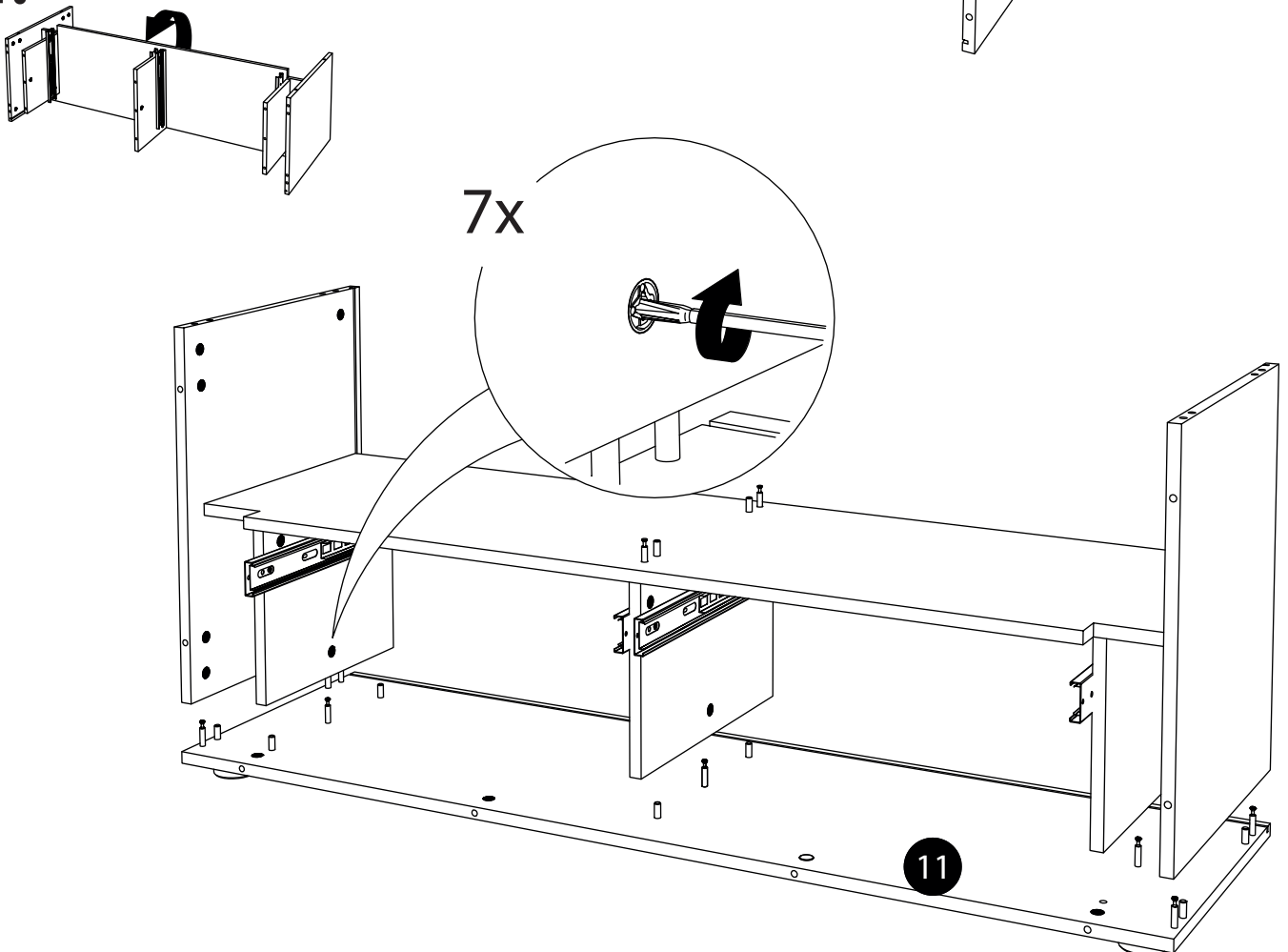




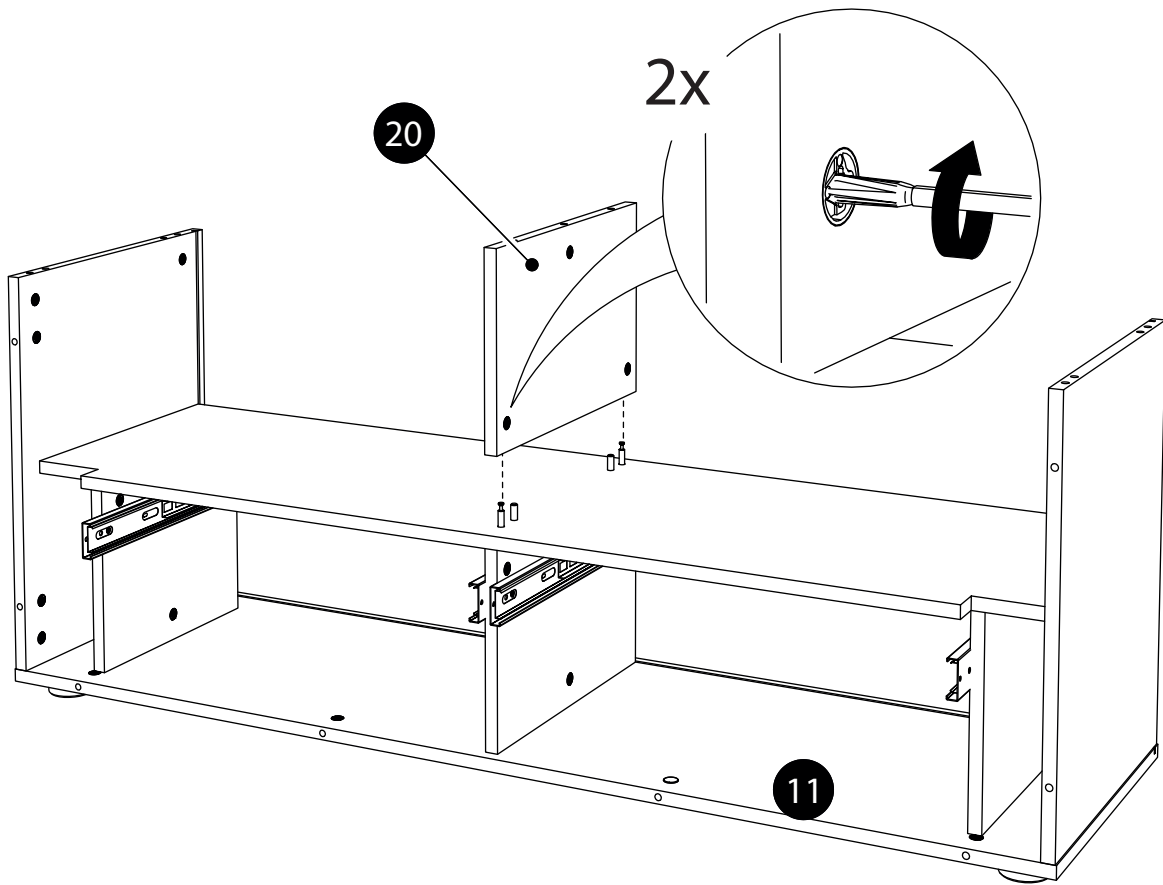
21.



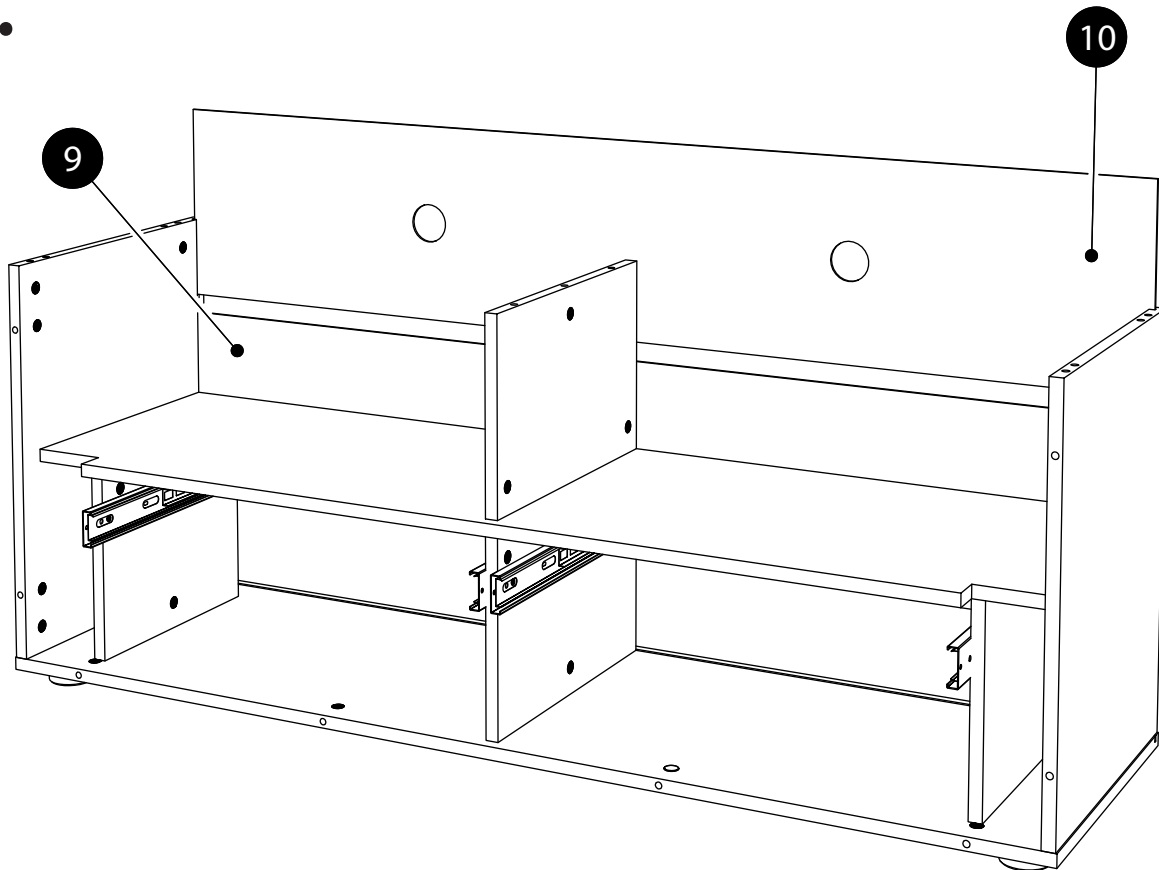
22.



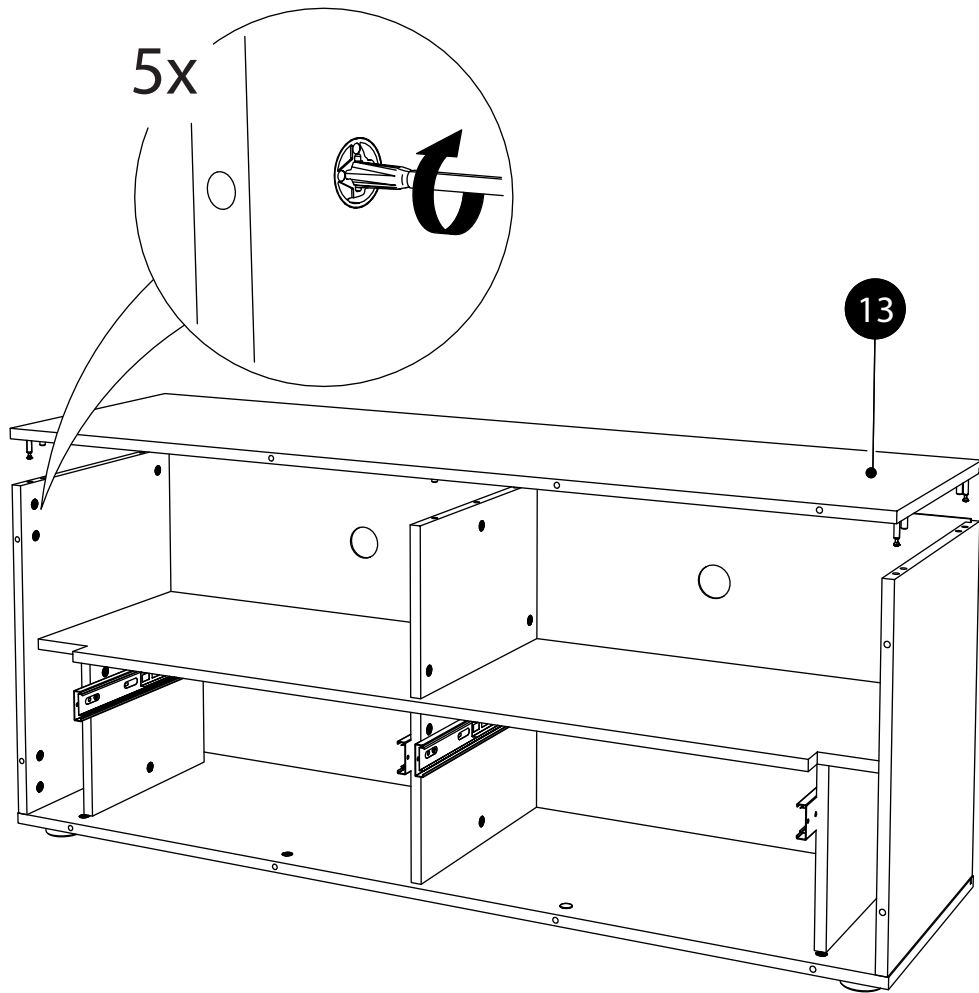
23.



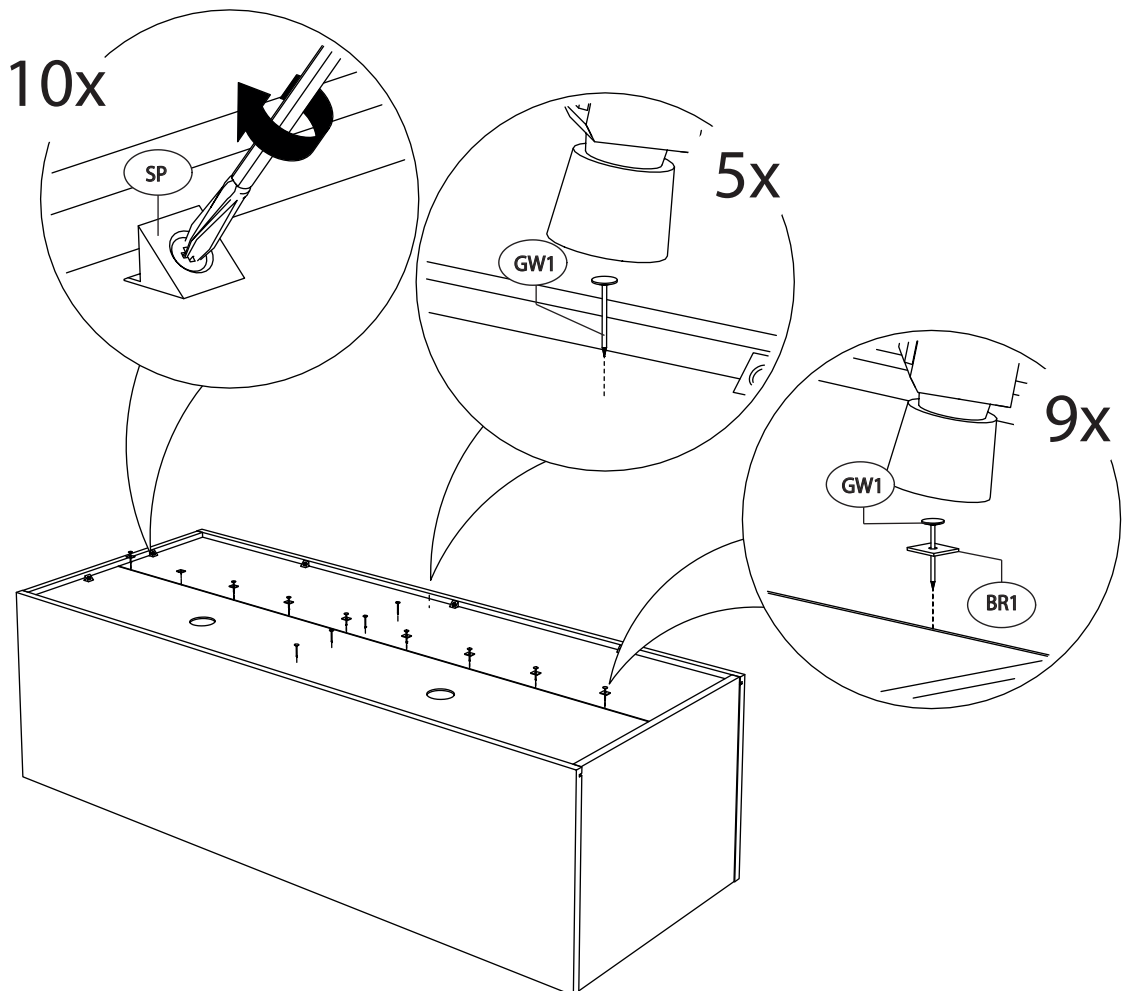
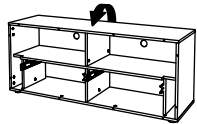
24.



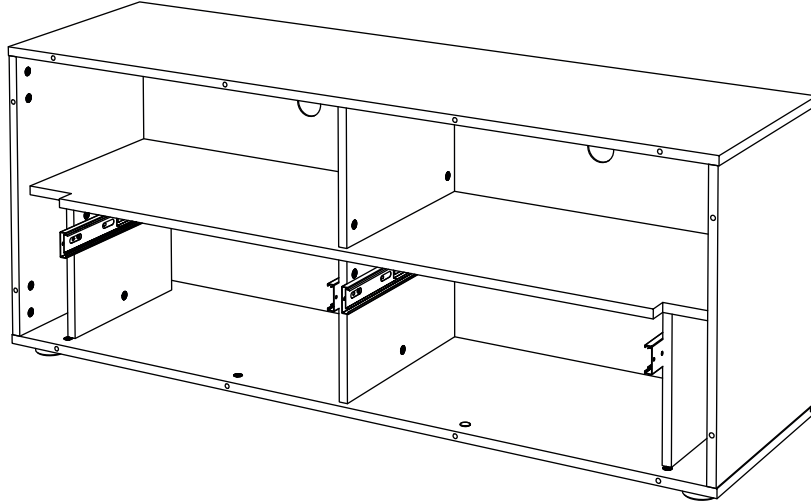
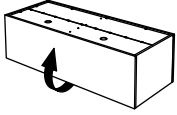
25.



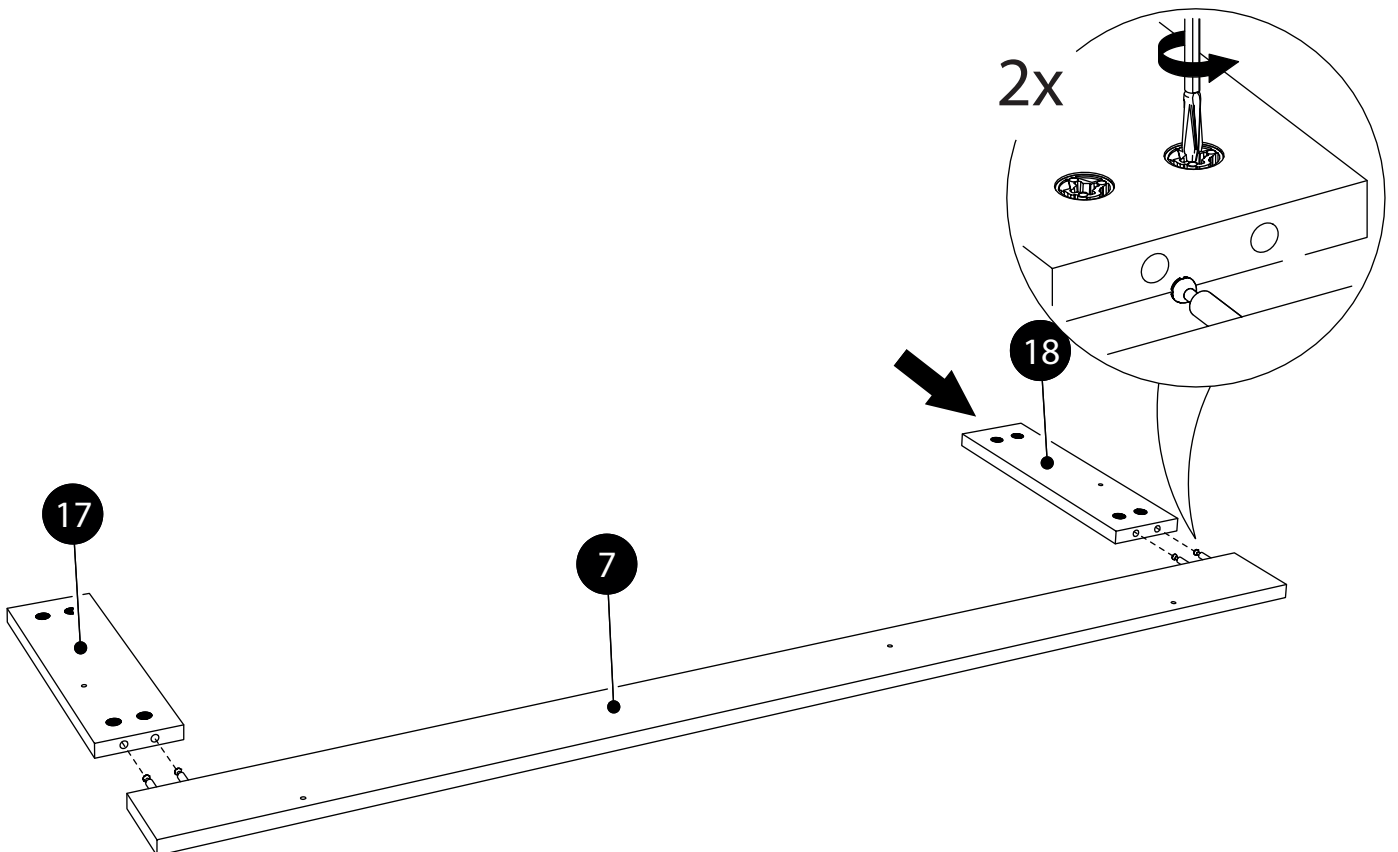
26.



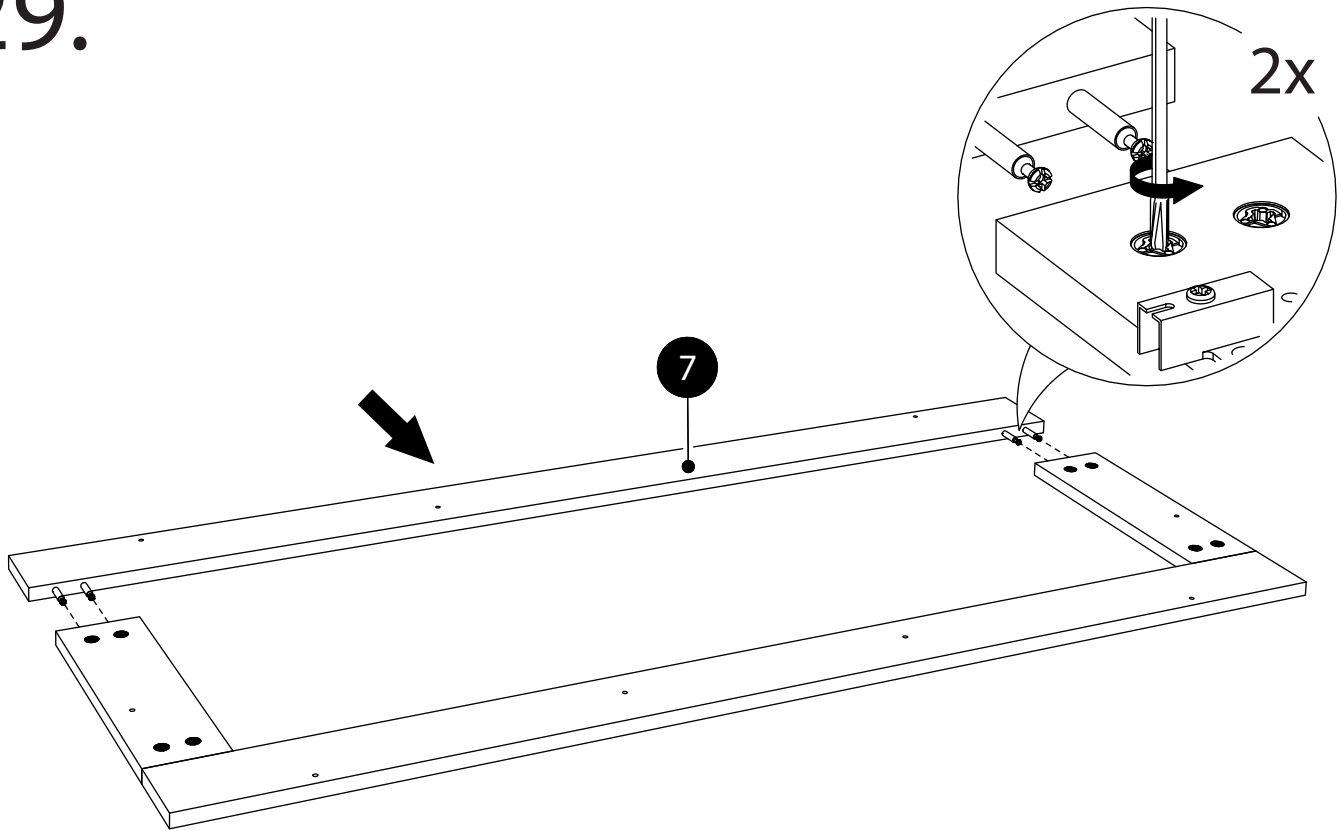
27.



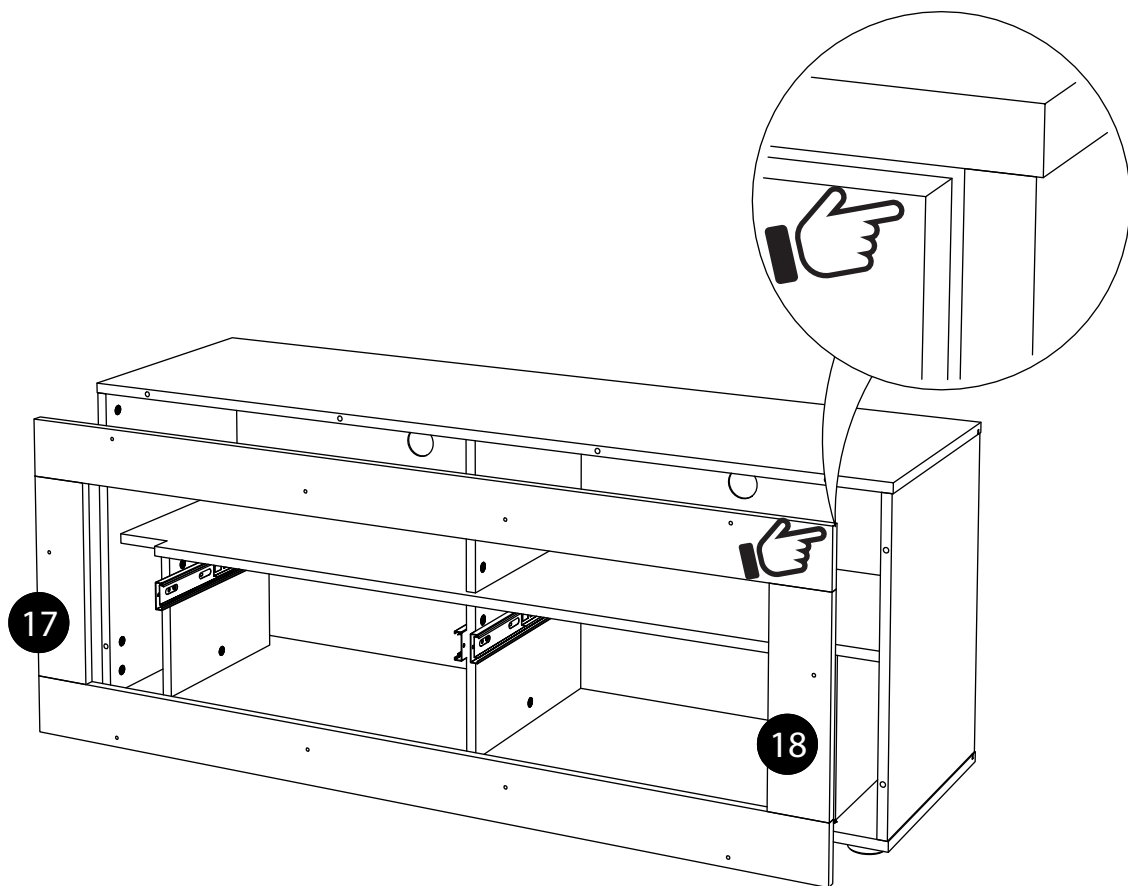
28.



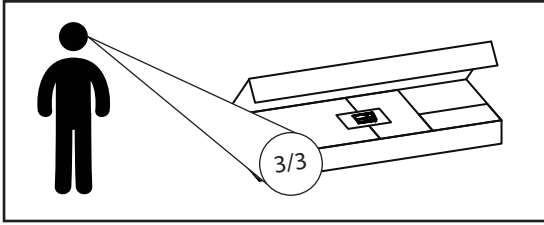
29.



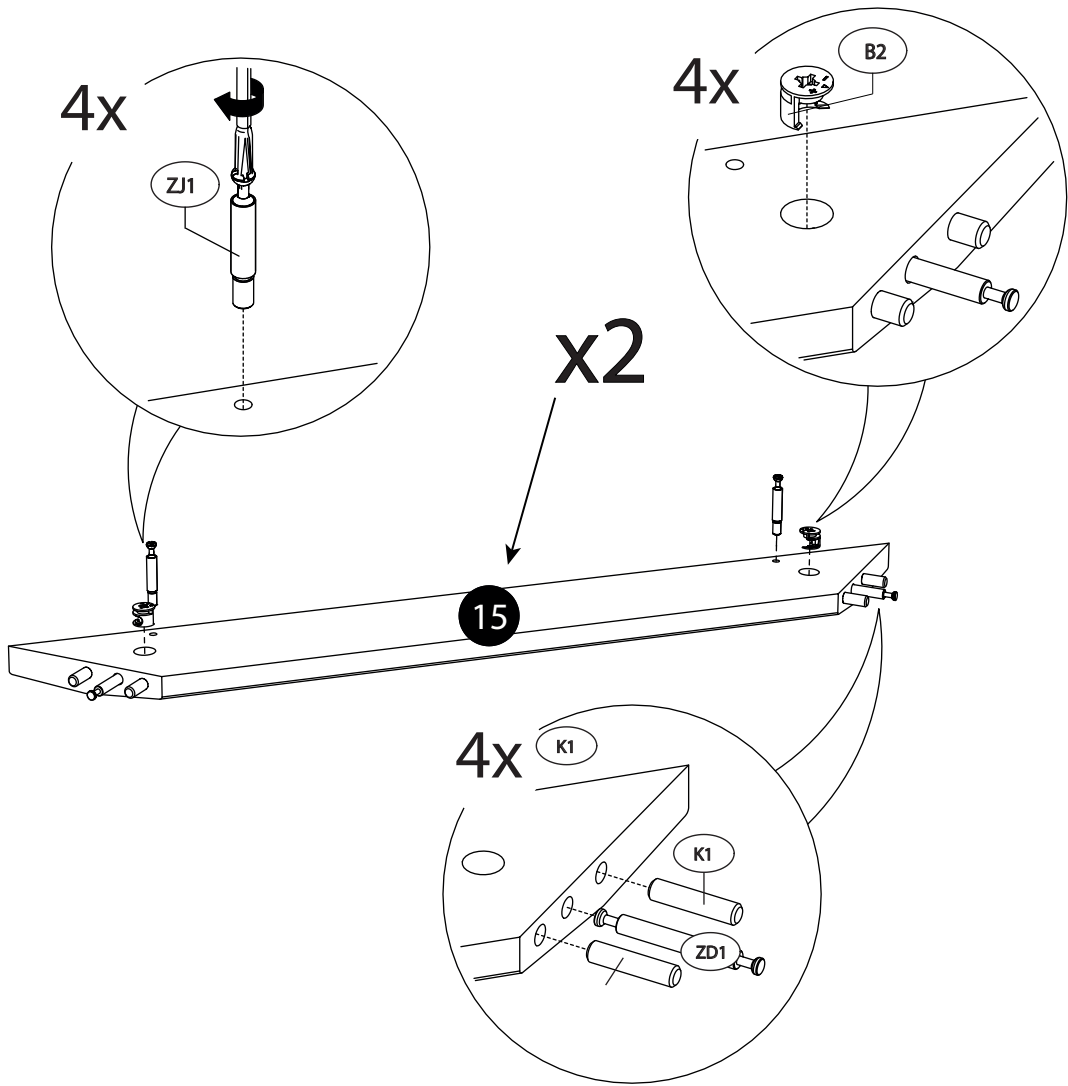
30.



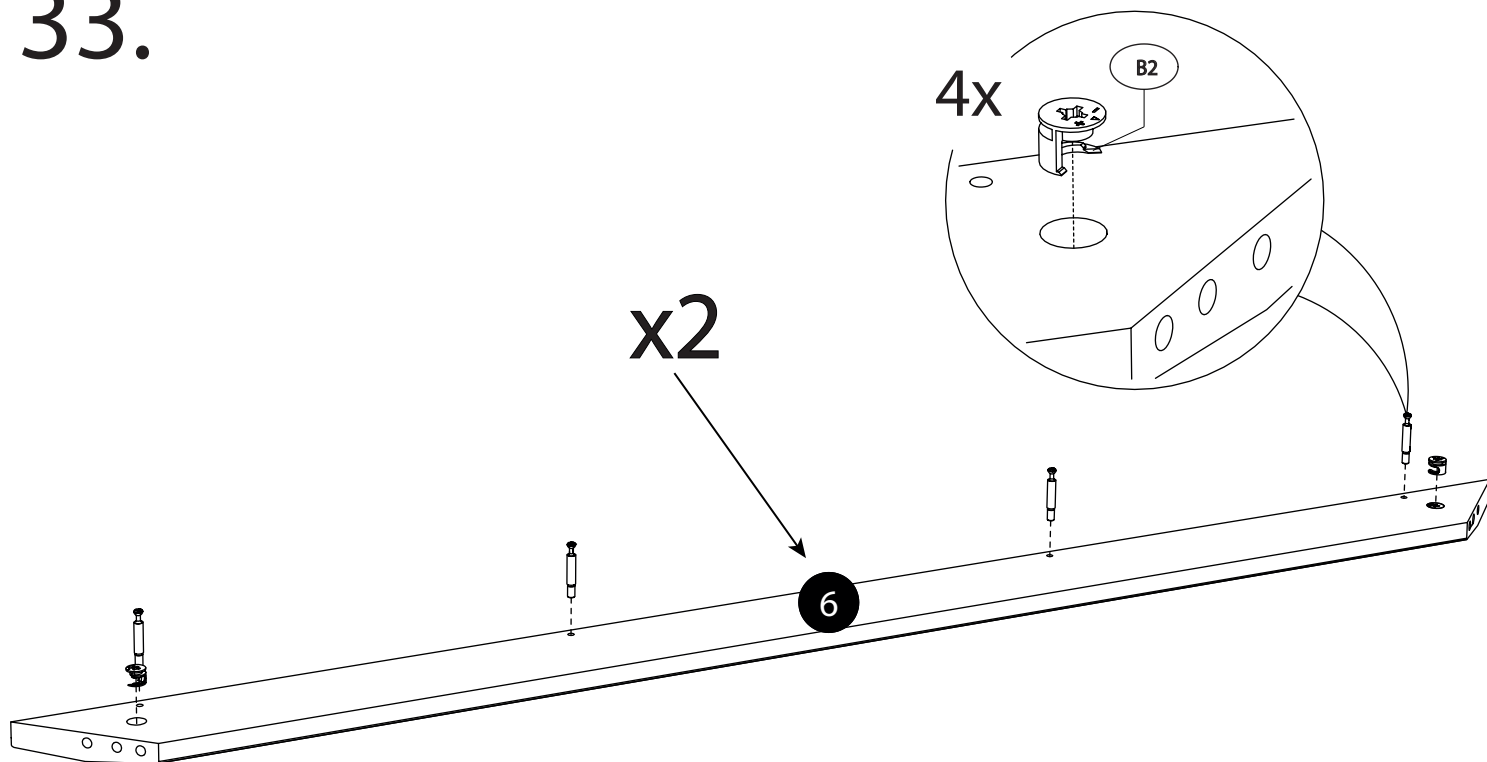
31.



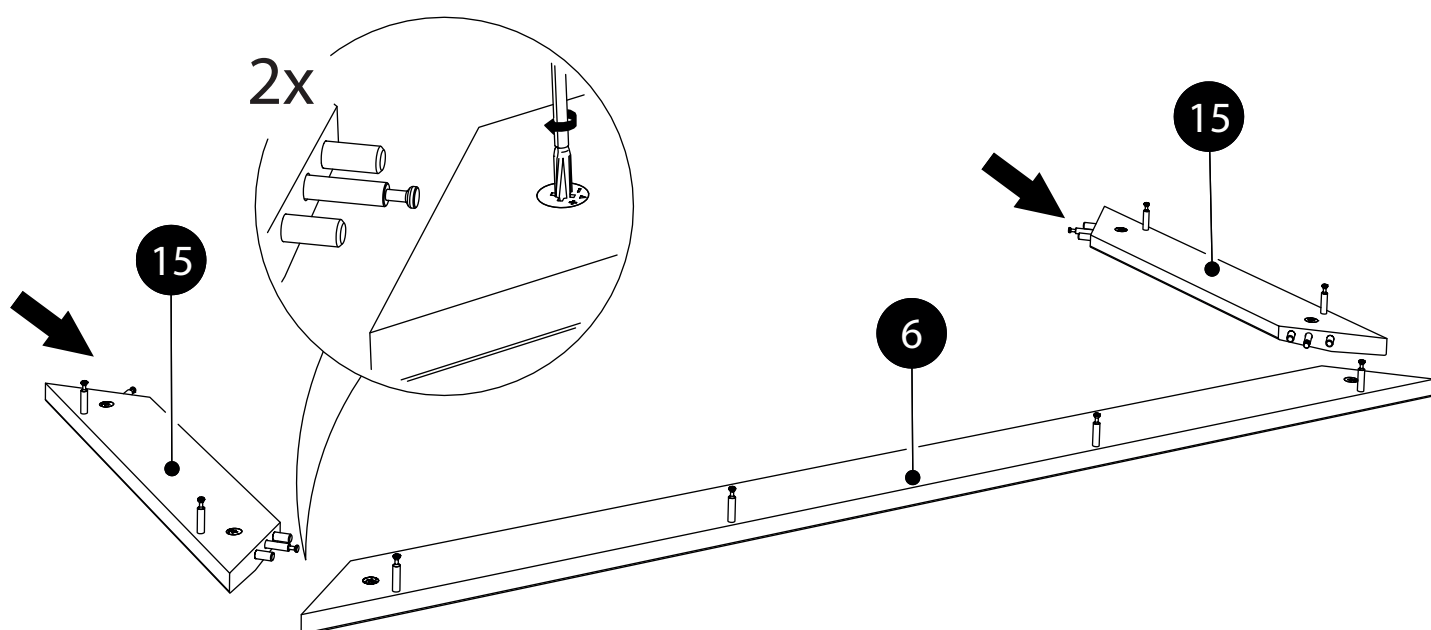
32.



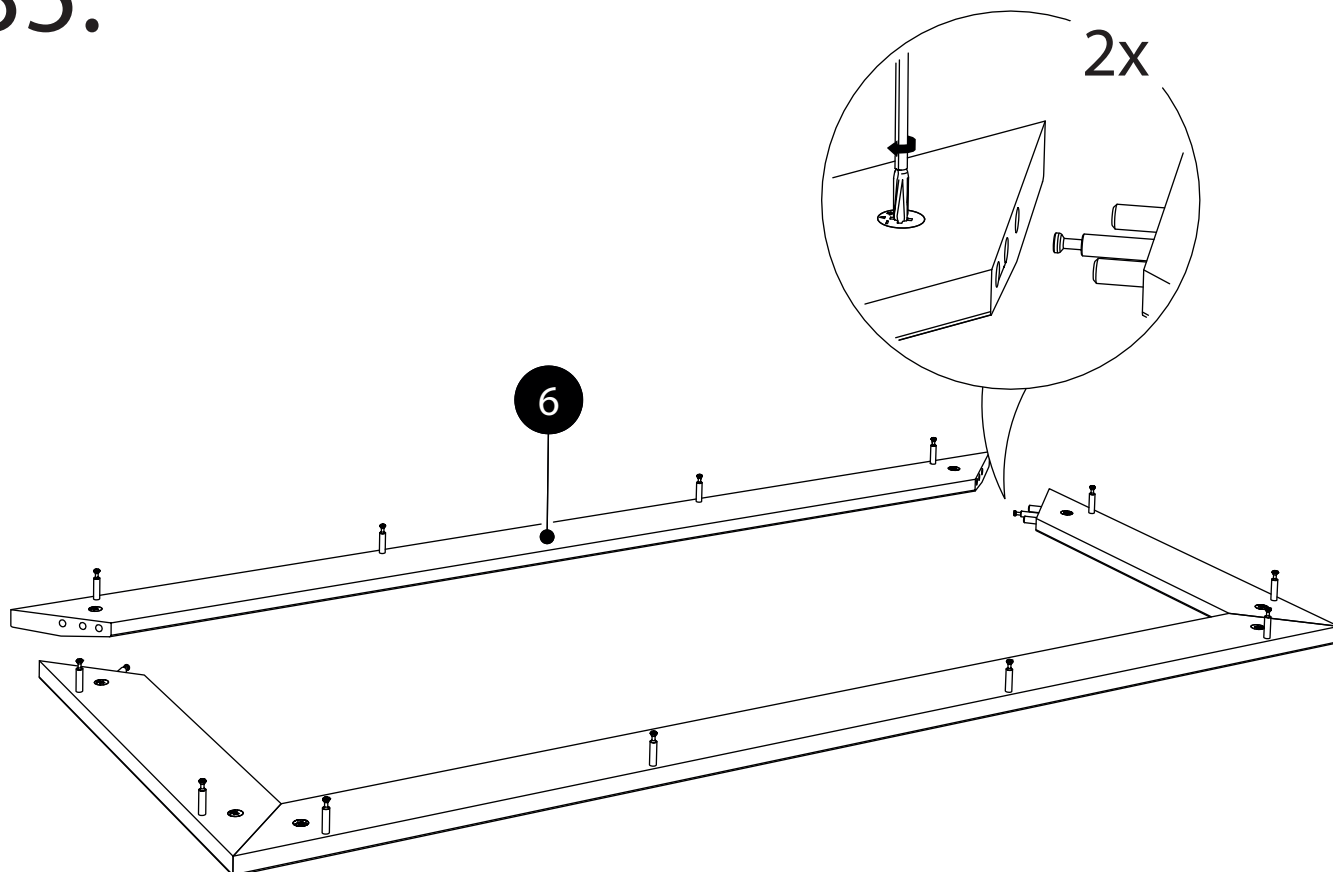
33.



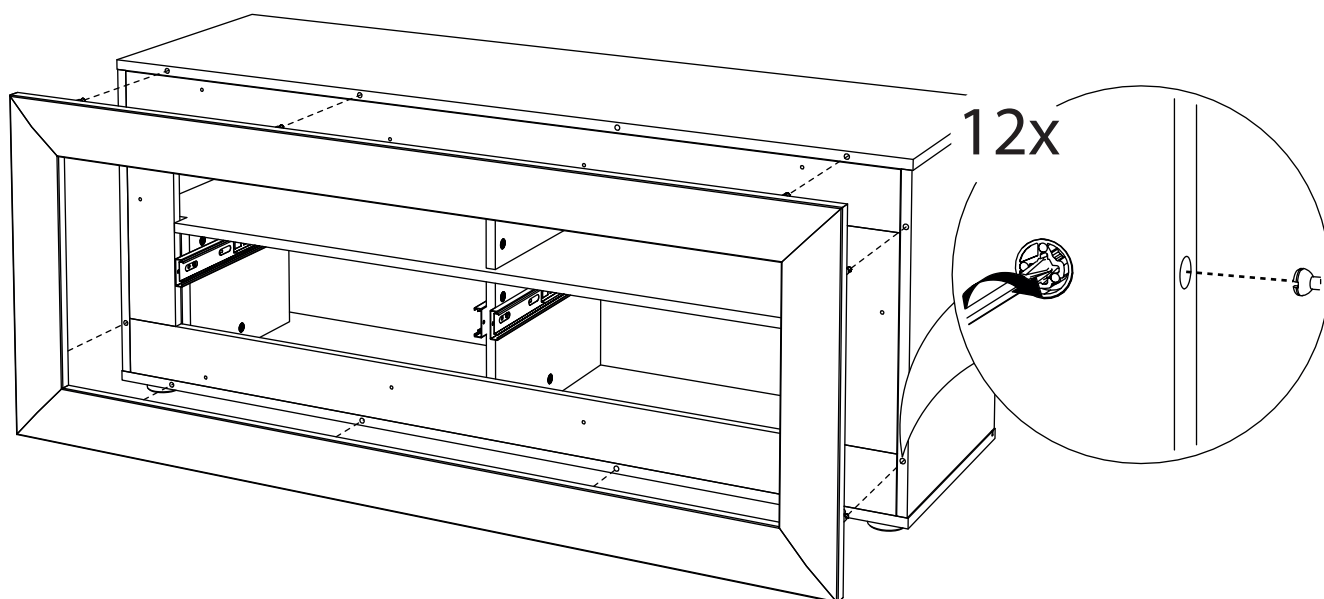
34.



35.

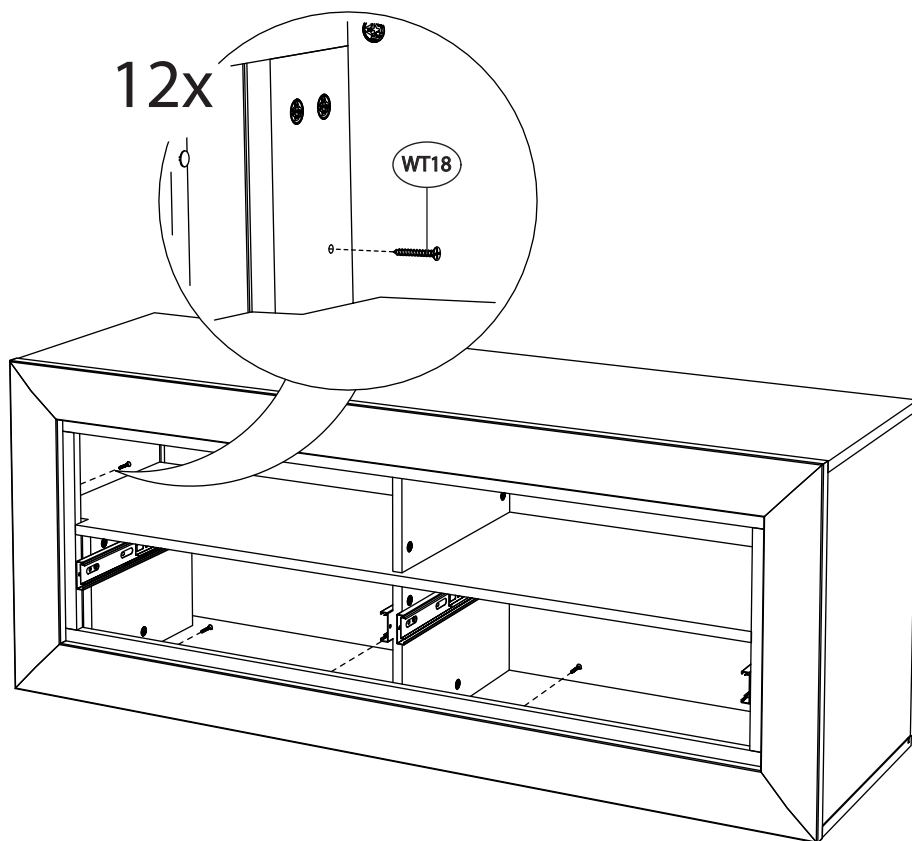


36.

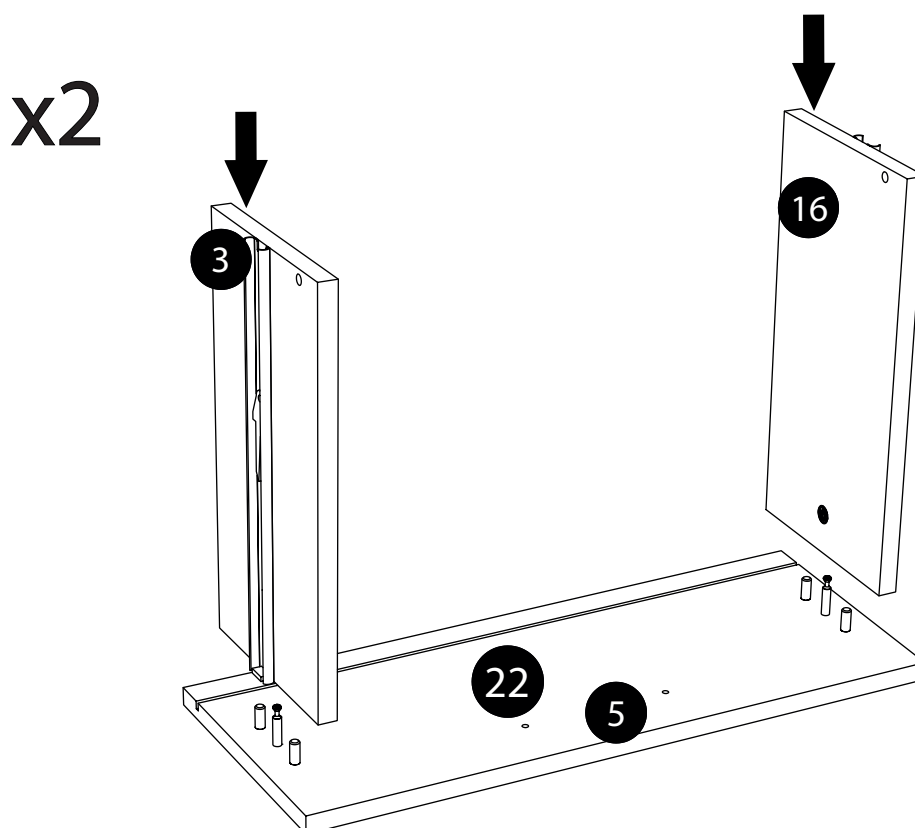




37.

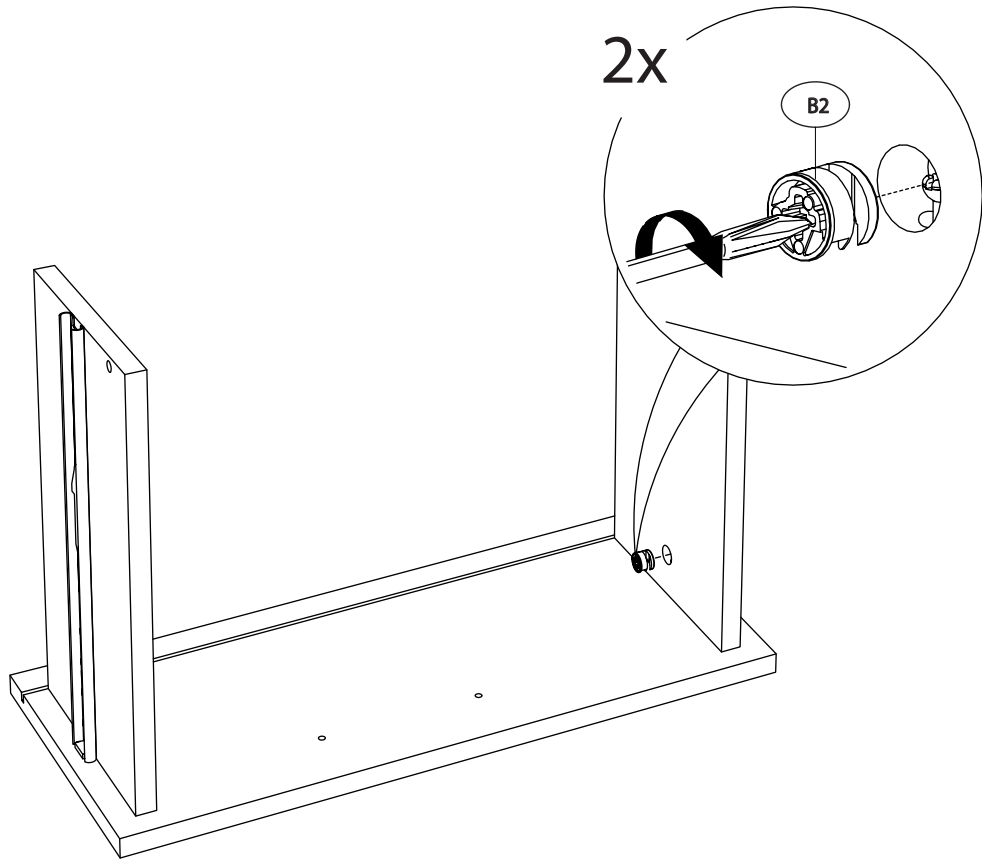


38.



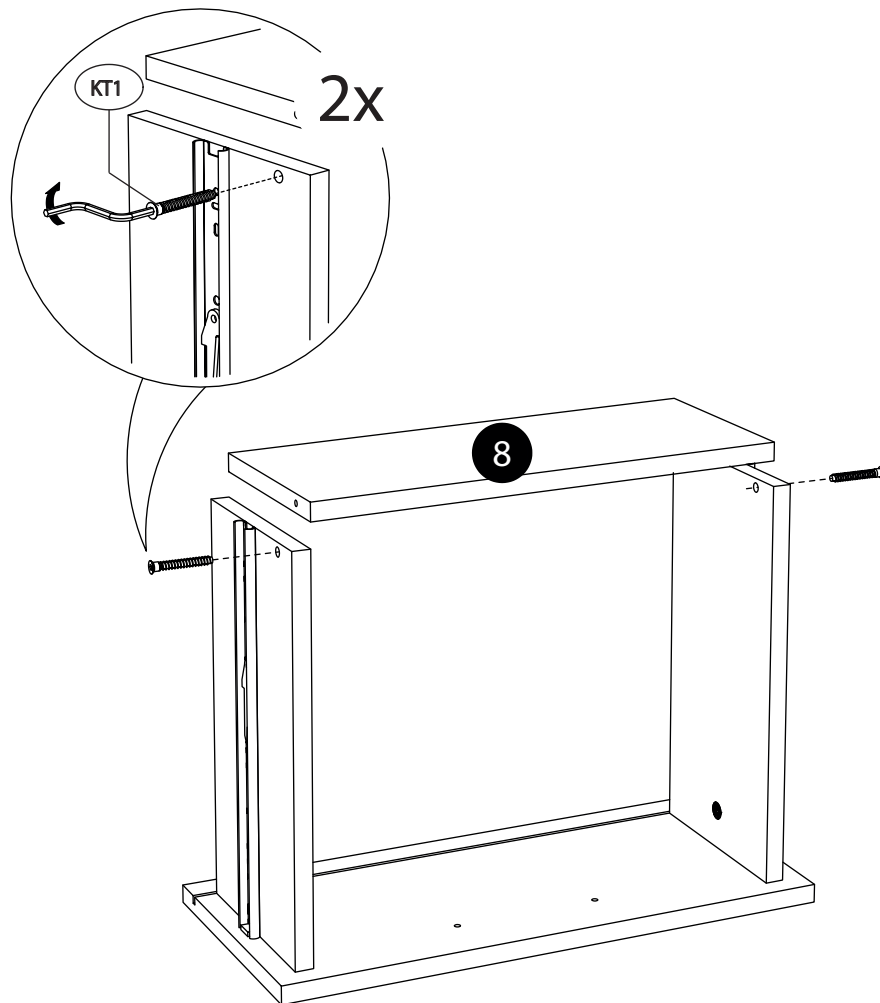
39.

x2

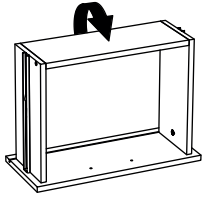


40.

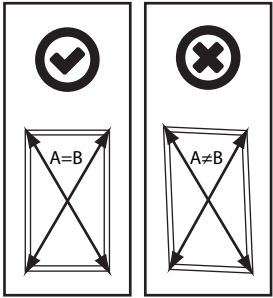
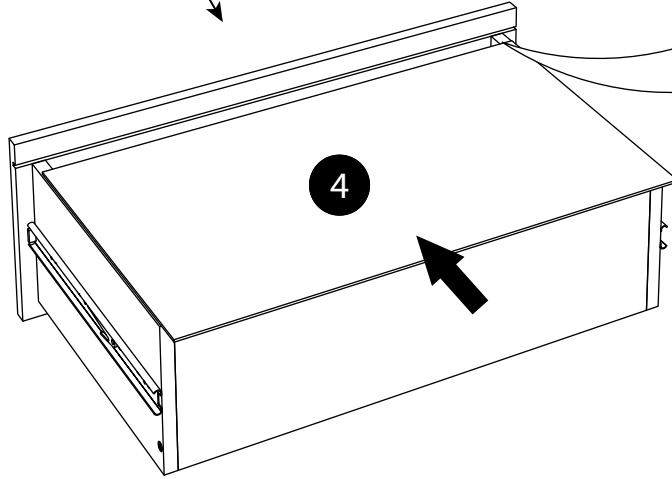
x2



# 41.

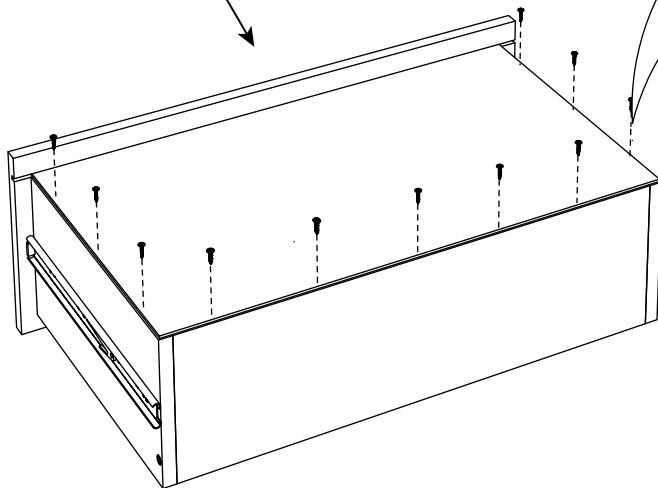


x2



# 42.

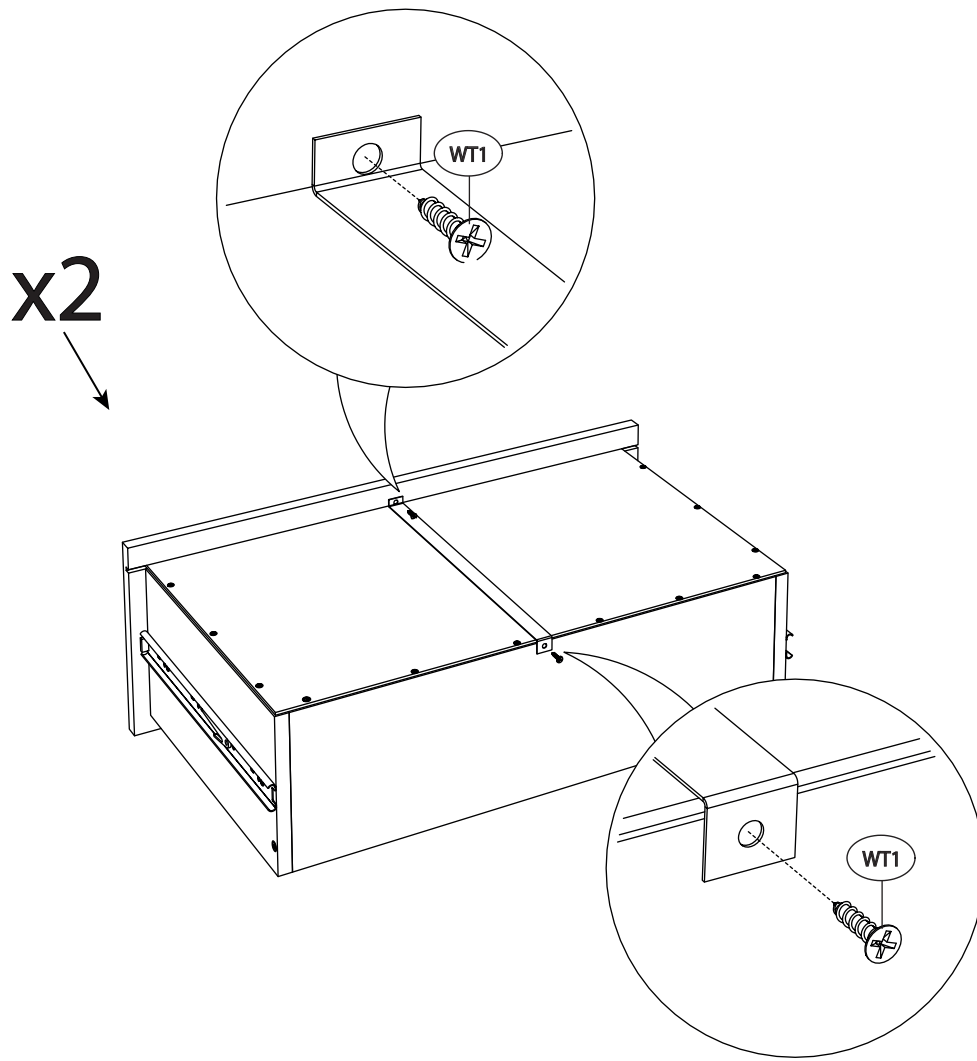
x2



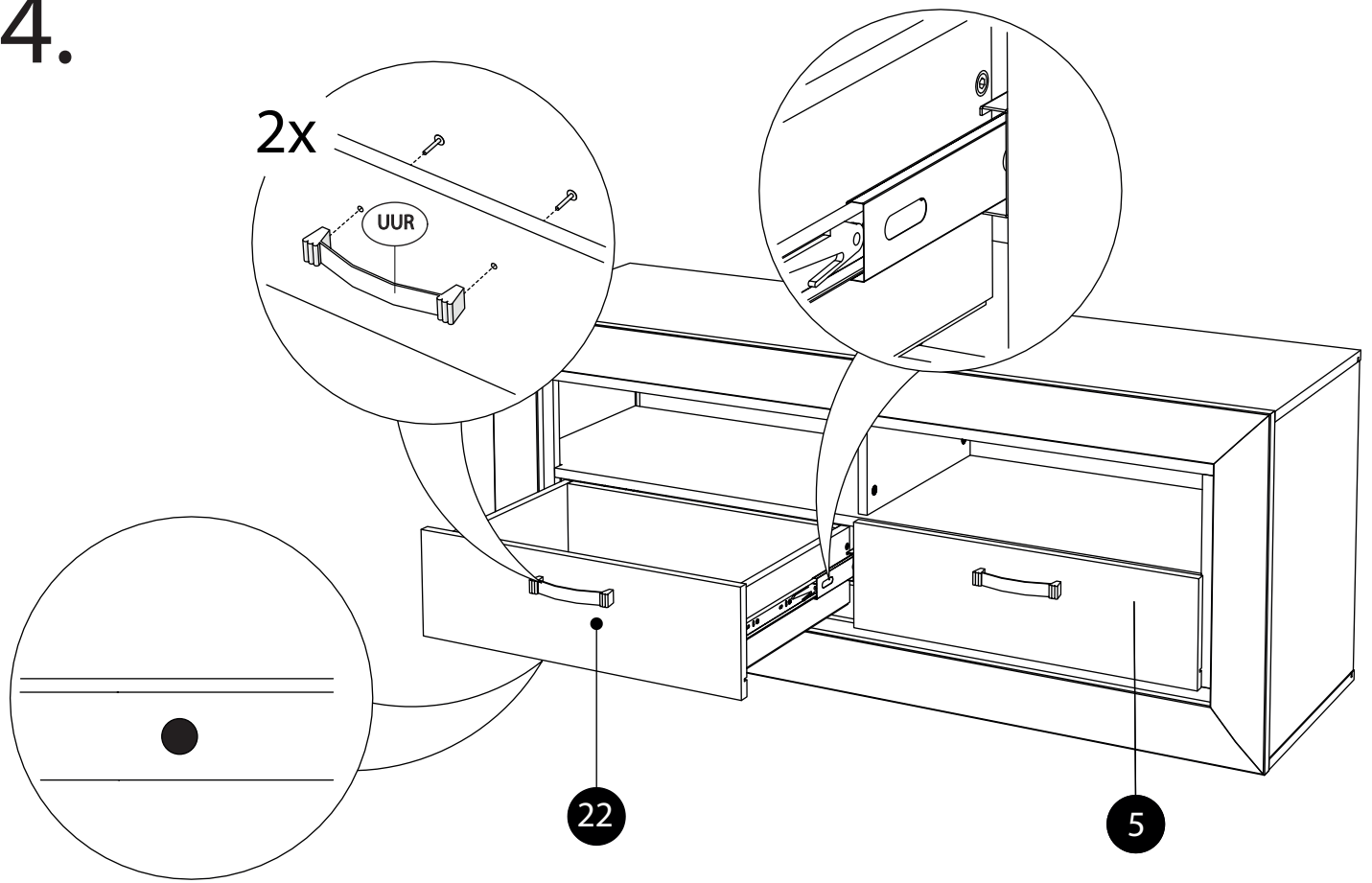
11x



43.



44.



# 45.

