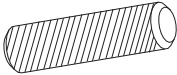
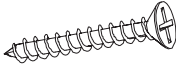

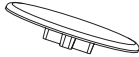





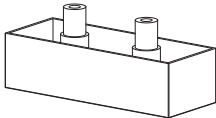
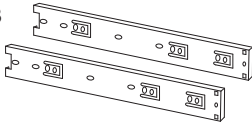
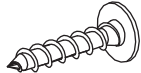
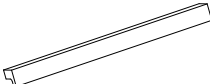




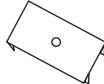
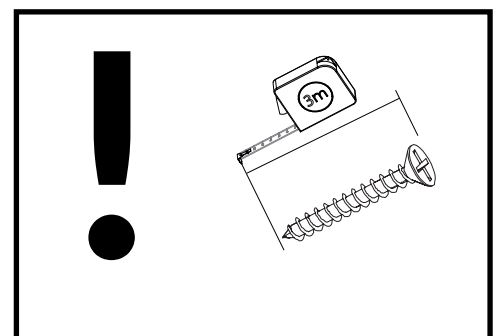






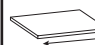

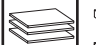

MODERN 12

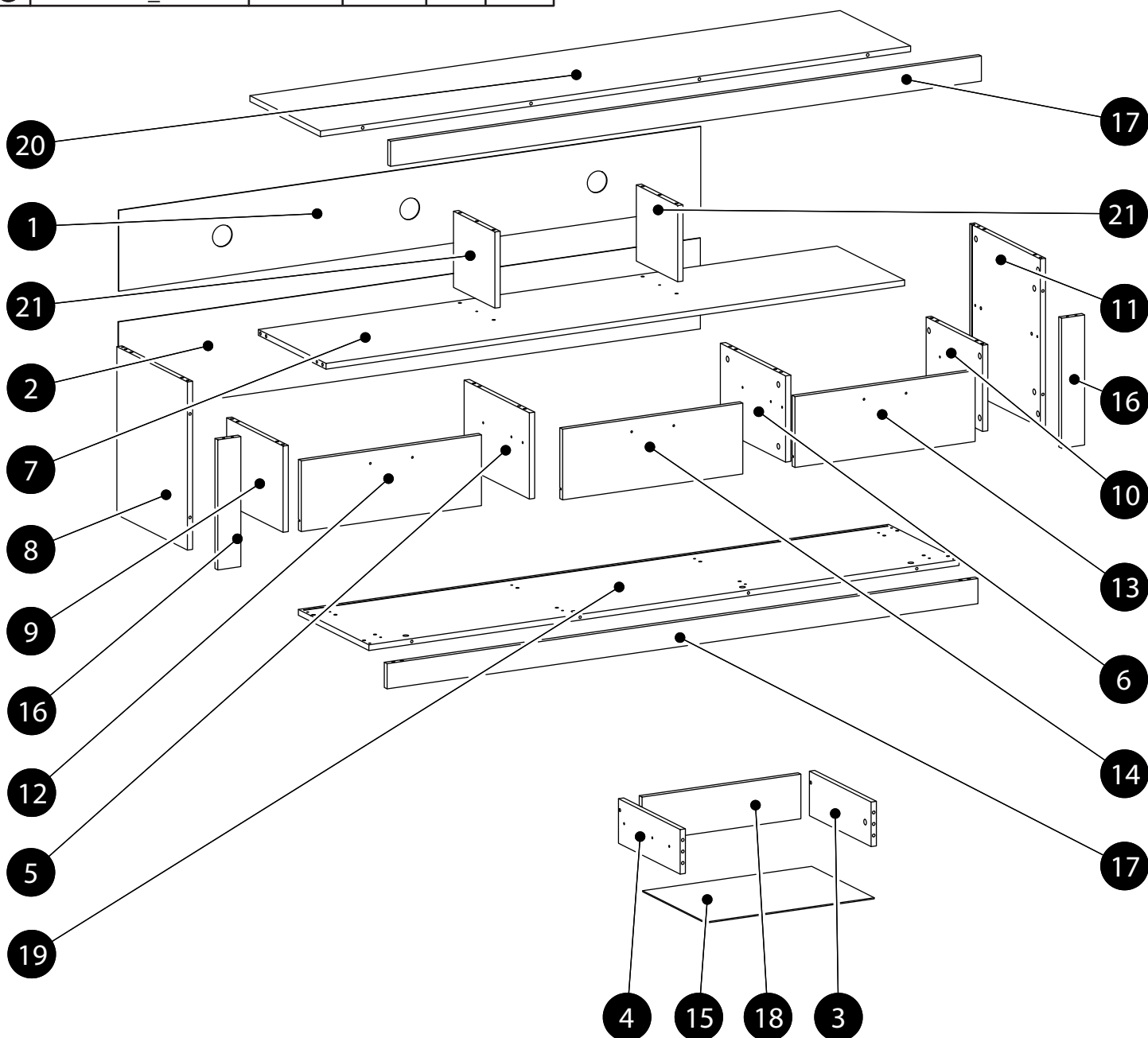
<p>K1 x 52 8x32</p> 	<p>WT18 x 6 4x30</p> 	<p>B2 x 58 h-12</p> 
<p>ZM1 x 8 Ø18</p> 	<p>WT1 x 6 3,5x15</p> 	<p>x 1</p> 
<p>ZJ1 x 58 L-43</p> 	<p>KT1 x 6 6,3x50</p> 	<p>KL x 1</p> 
<p>ST2 x 8 75x30x20</p> 	<p>P1 x 3 L-350</p> 	<p>WT9 x 45 3x16</p> 
<p>U1M x 3 L-147</p> 	<p>WZS x 3 L-350</p> 	<p>SP x 10</p> 
<p>WE7 x 18 6,3x13ES</p> 	<p>GW1 x 10 1,4x25</p> 	<p>BR1 x 10</p> 



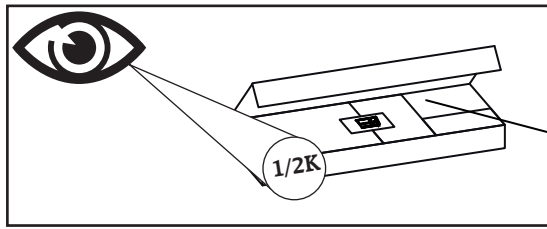
MODERN 12

	CODE				
1	Modern12KHDF_01	1770	225	1	K2/2
2	Modern12KHDF_02	1770	253	1	K2/2
3	Modern12K_14	124	350	3	K1/2
4	Modern12K_13	124	350	3	K1/2
5	Modern12K_09	240	370	1	K1/2
6	Modern12K_10	240	370	1	K1/2
7	Modern12K_07	1760	384	1	K1/2
8	Modern12K_01	468	400	1	K1/2
9	Modern12K_11	320	240	1	K1/2
10	Modern12K_12	320	240	1	K1/2
11	Modern12K_02	468	400	1	K1/2
12	Modern12F_01	548	197	1	F1/1

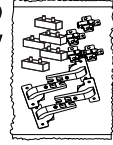
	CODE				
13	Modern12F_02	548	197	1	F1/1
14	Modern12F_03	548	197	1	F1/1
15	Modern12KHDF_03	514	355	3	K2/2
16	Modern12K_05	70	362	2	K2/2
17	Modern12K_06	1797	70	2	K2/2
18	Modern12K_15	483	124	3	K2/2
19	Modern12K_04	1795	400	1	K1/2
20	Modern12K_03	1795	400	1	K2/2
21	Modern12K_08	212	235	2	K1/2



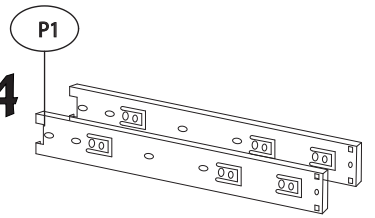
1.



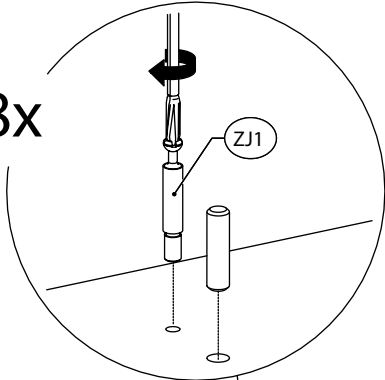
x2



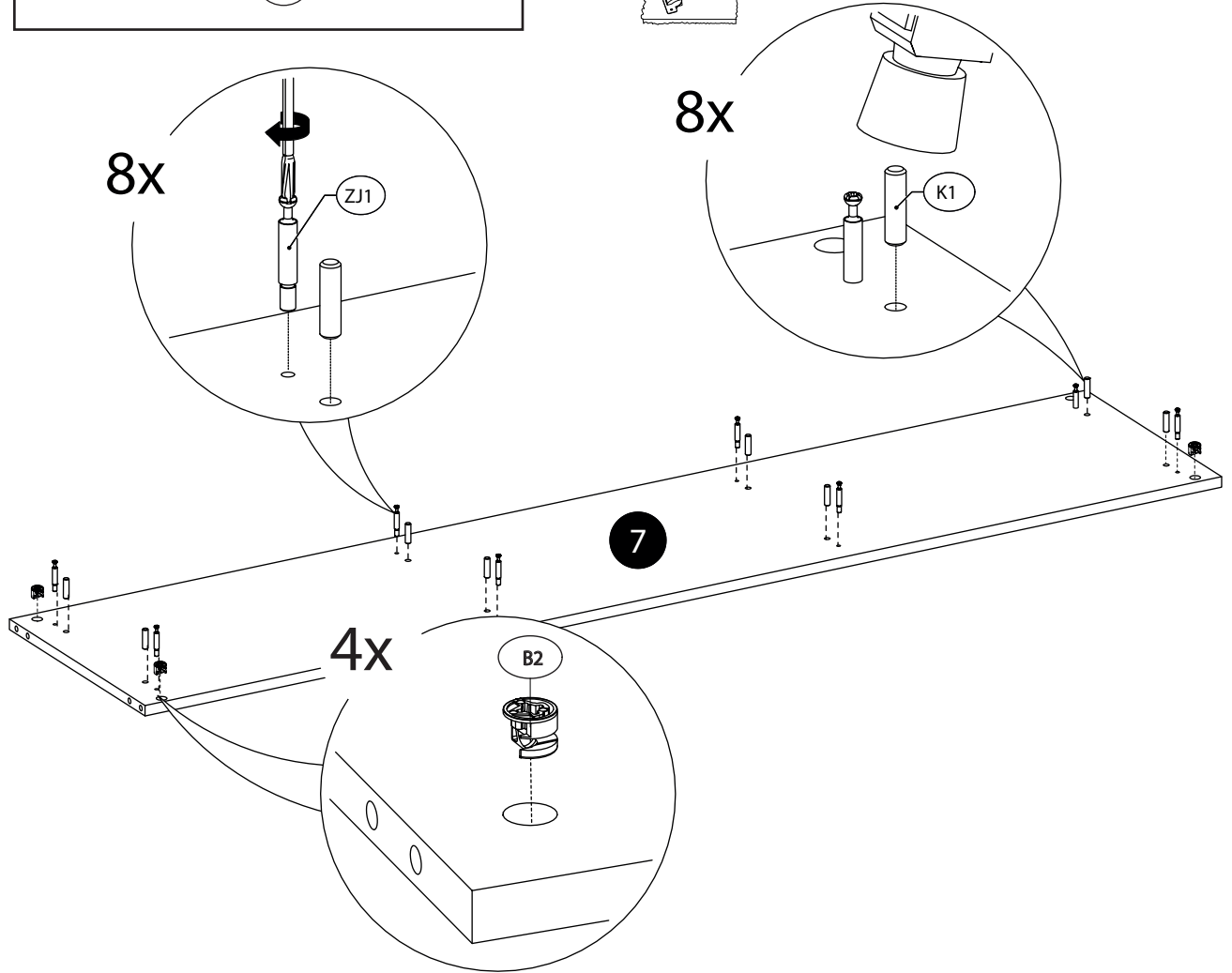
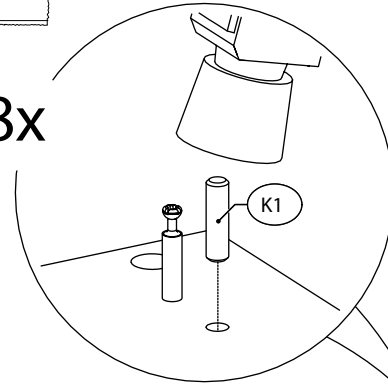
x4



8x

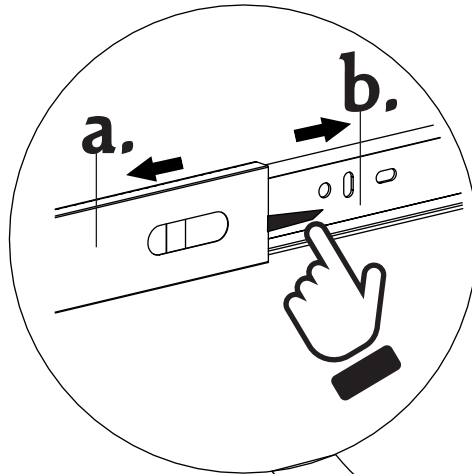


8x



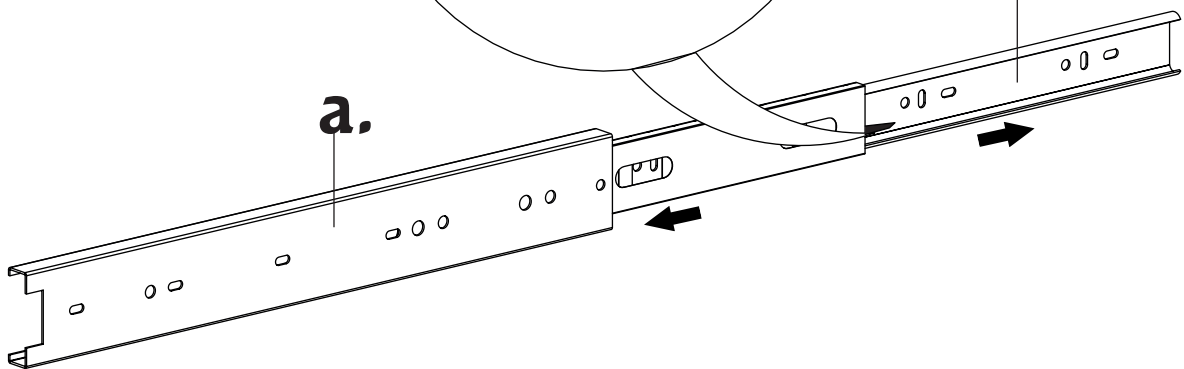
2.

x4

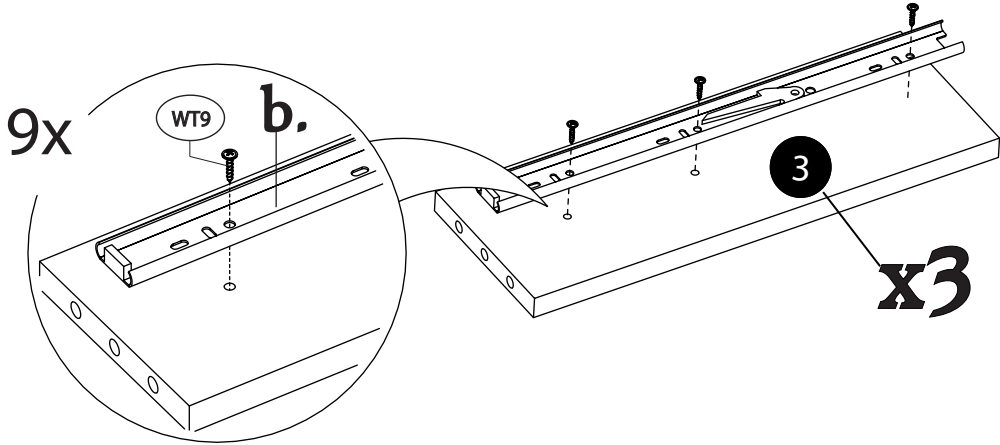
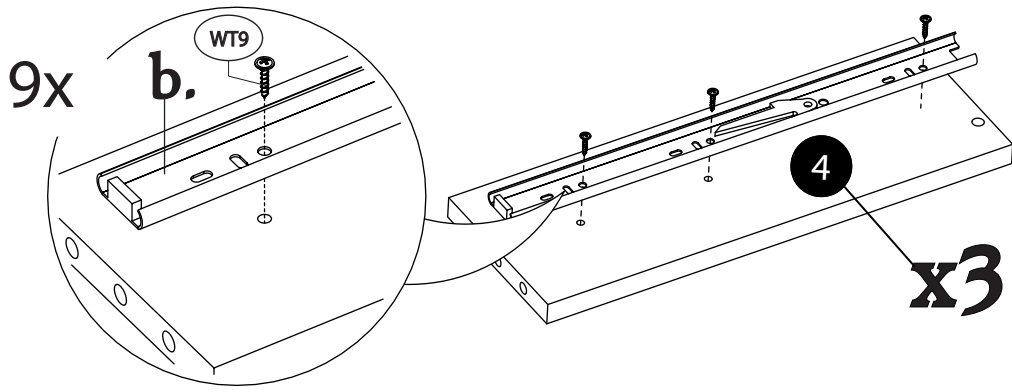


a.

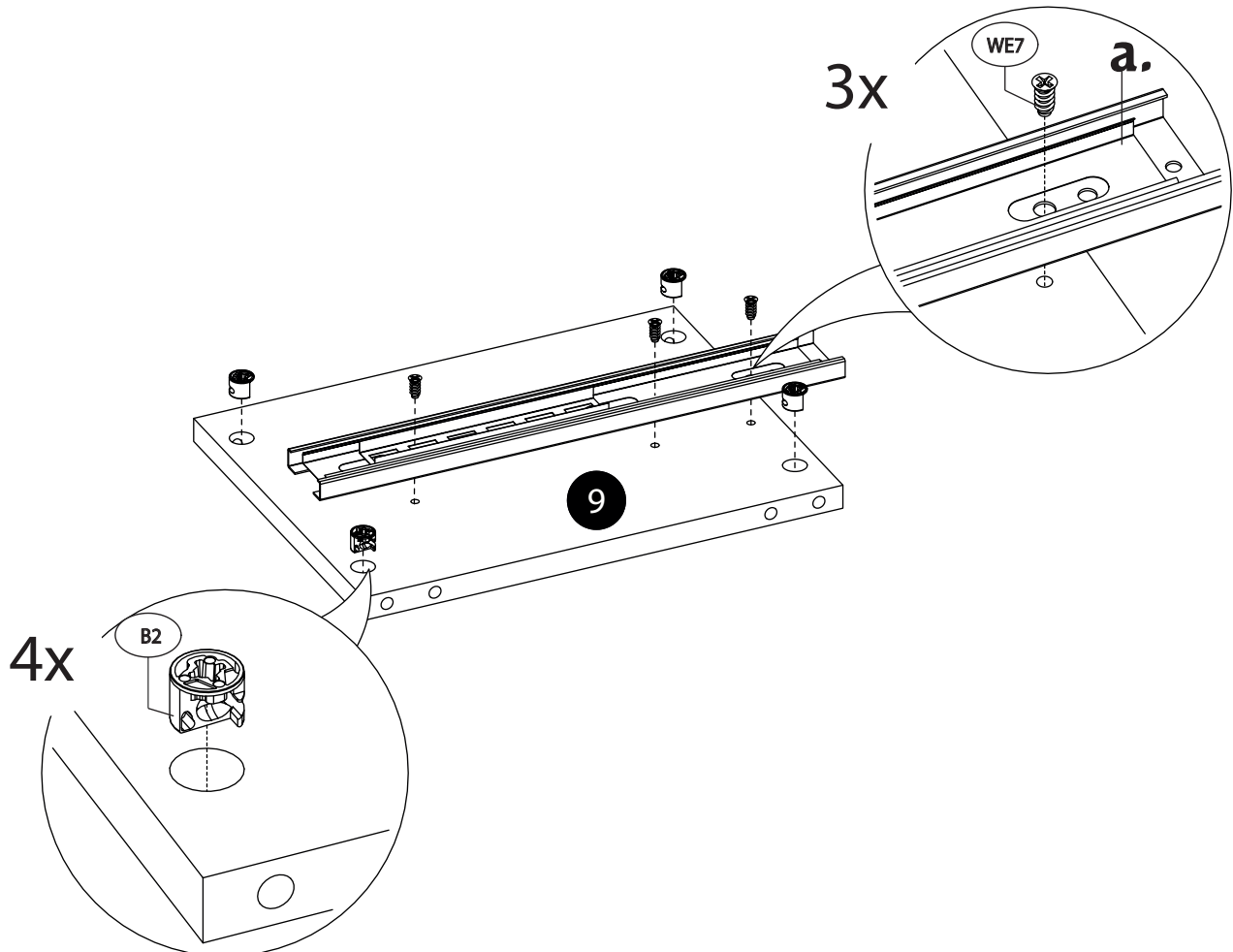
b.



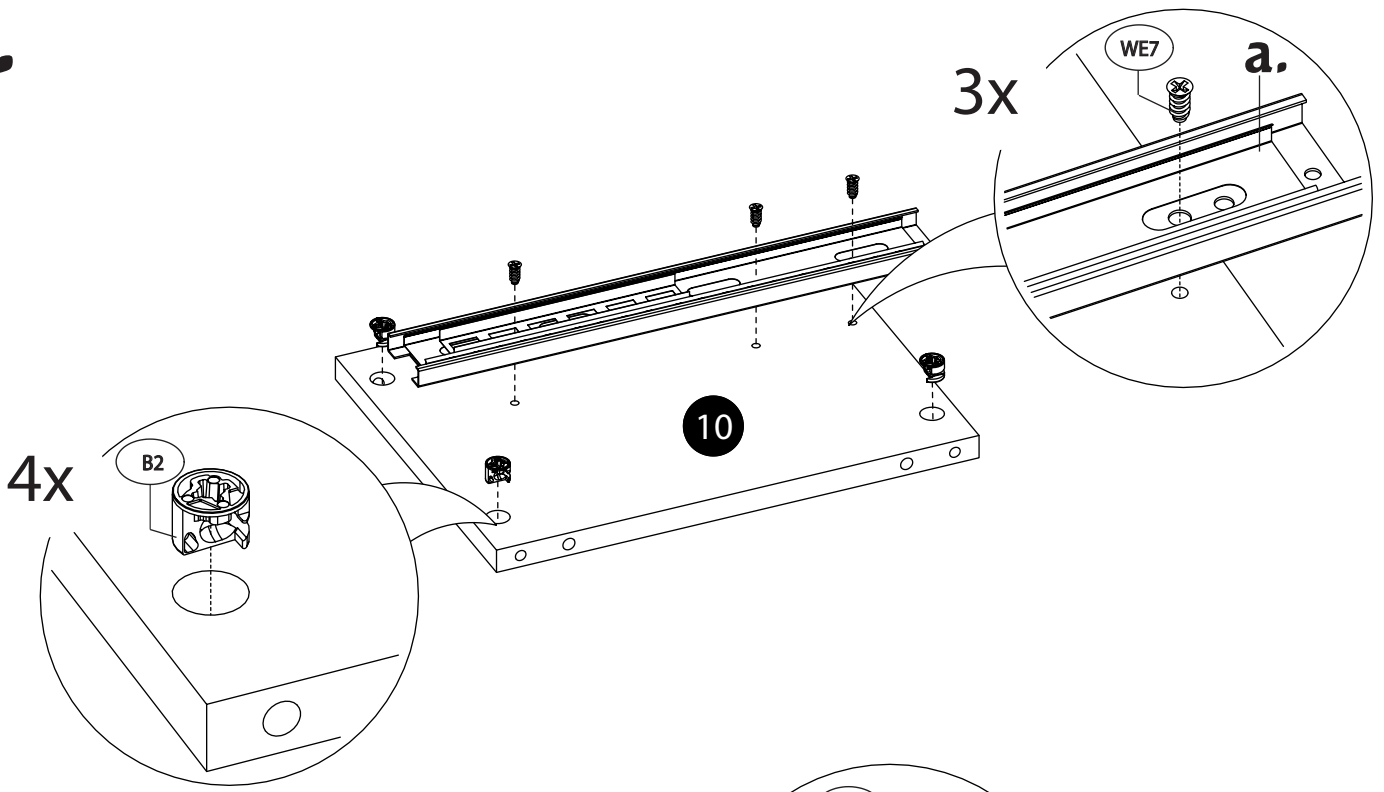
3.



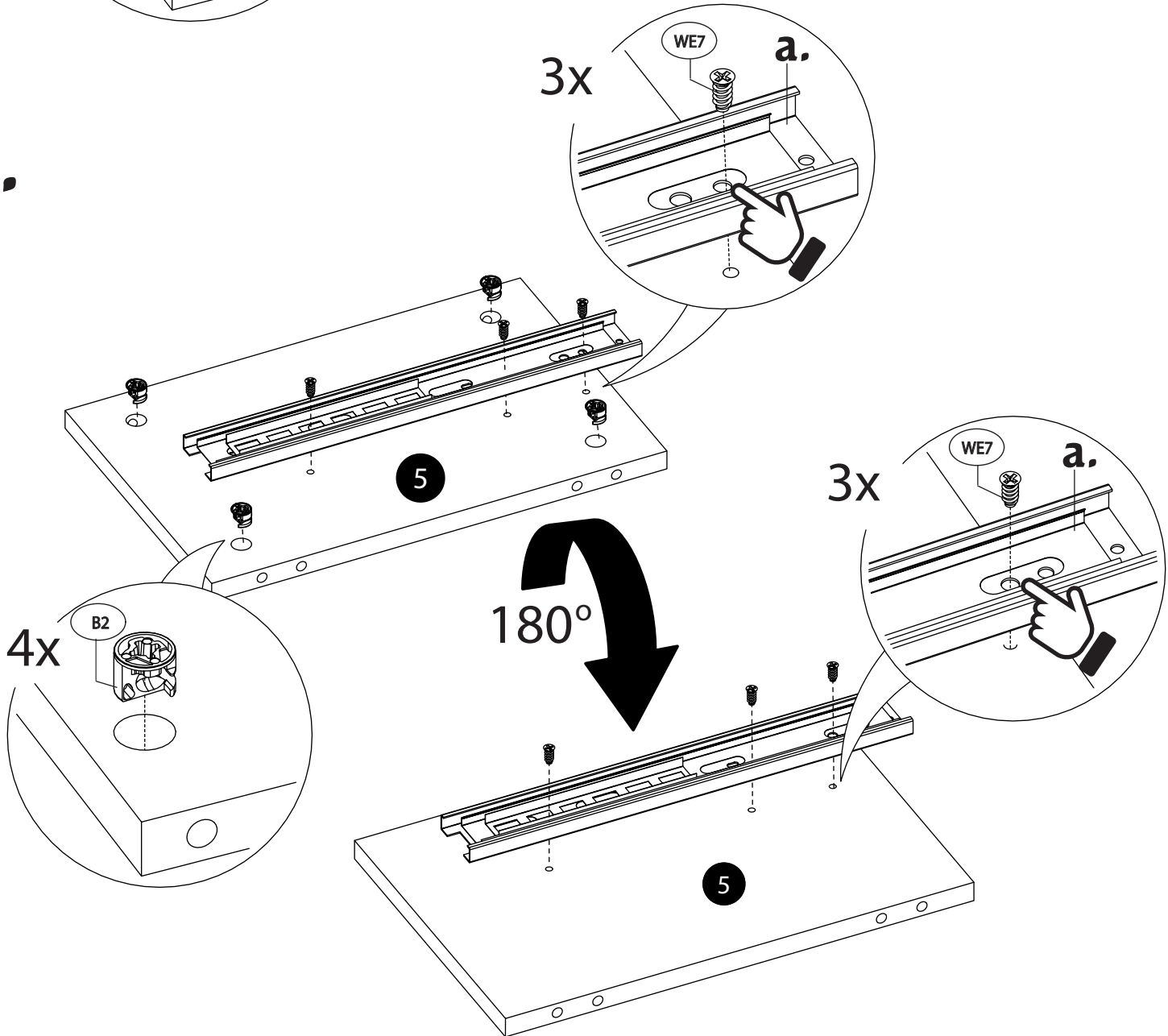
4.



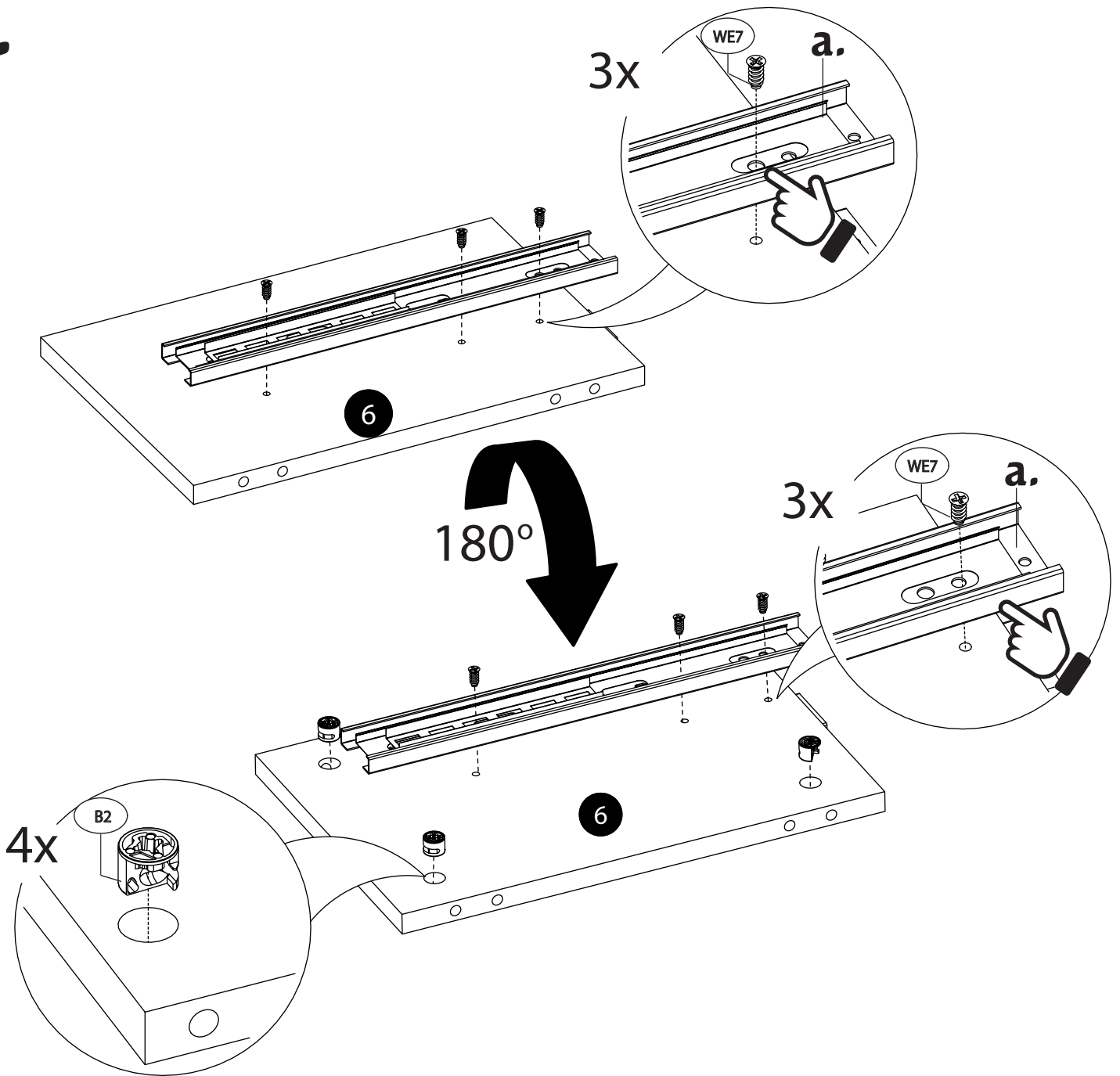
5.



6.

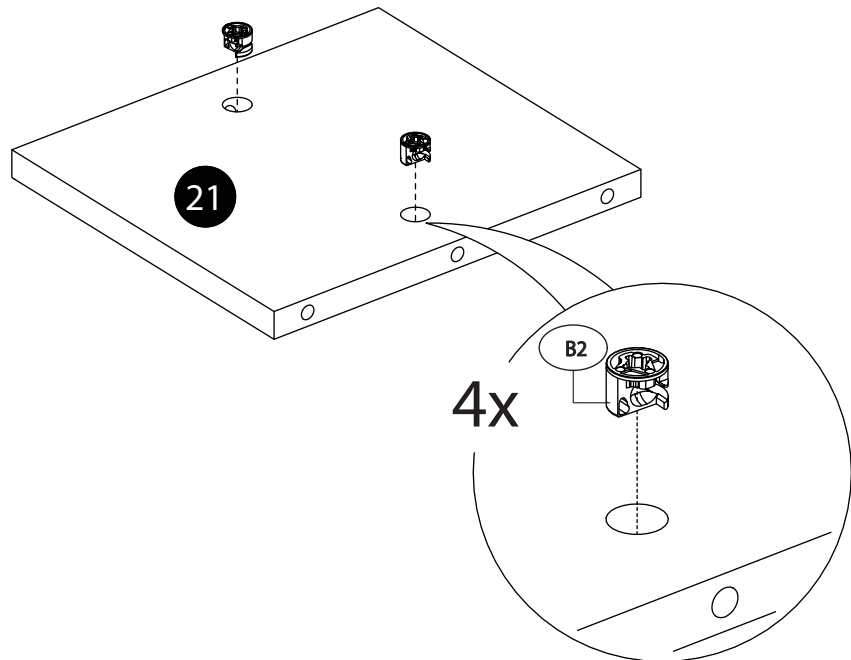


7.

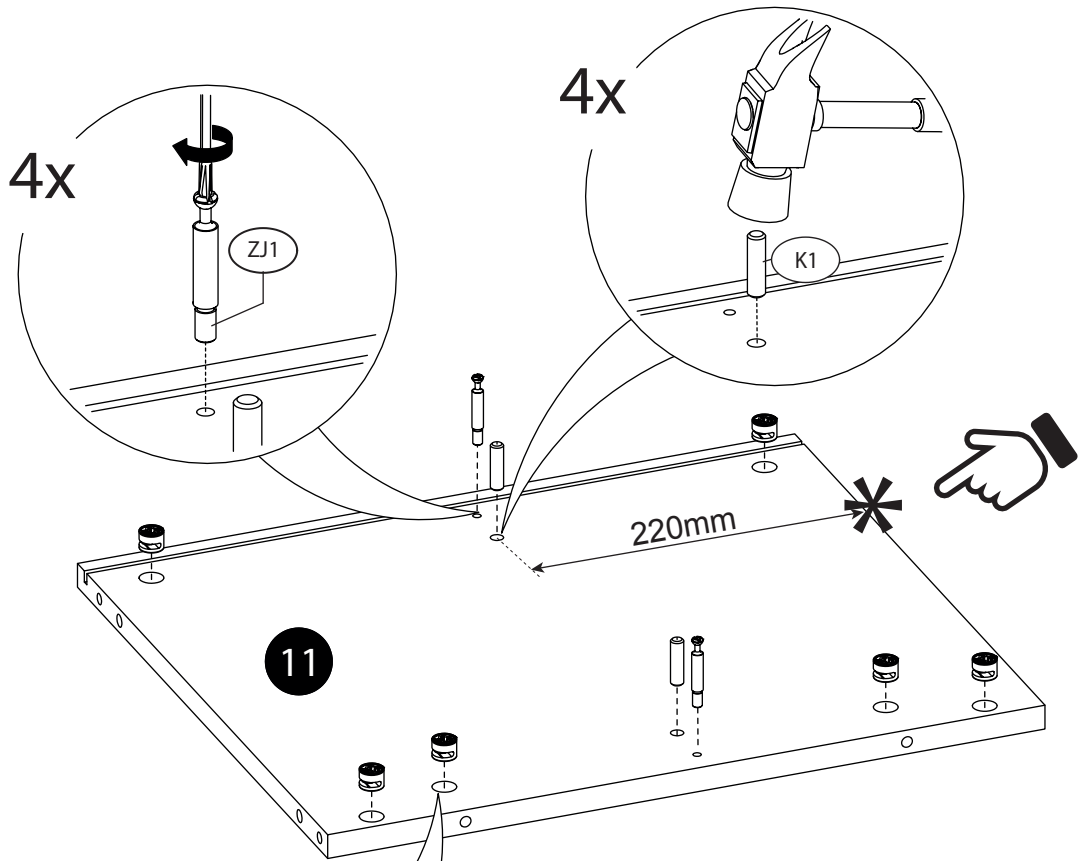


8.

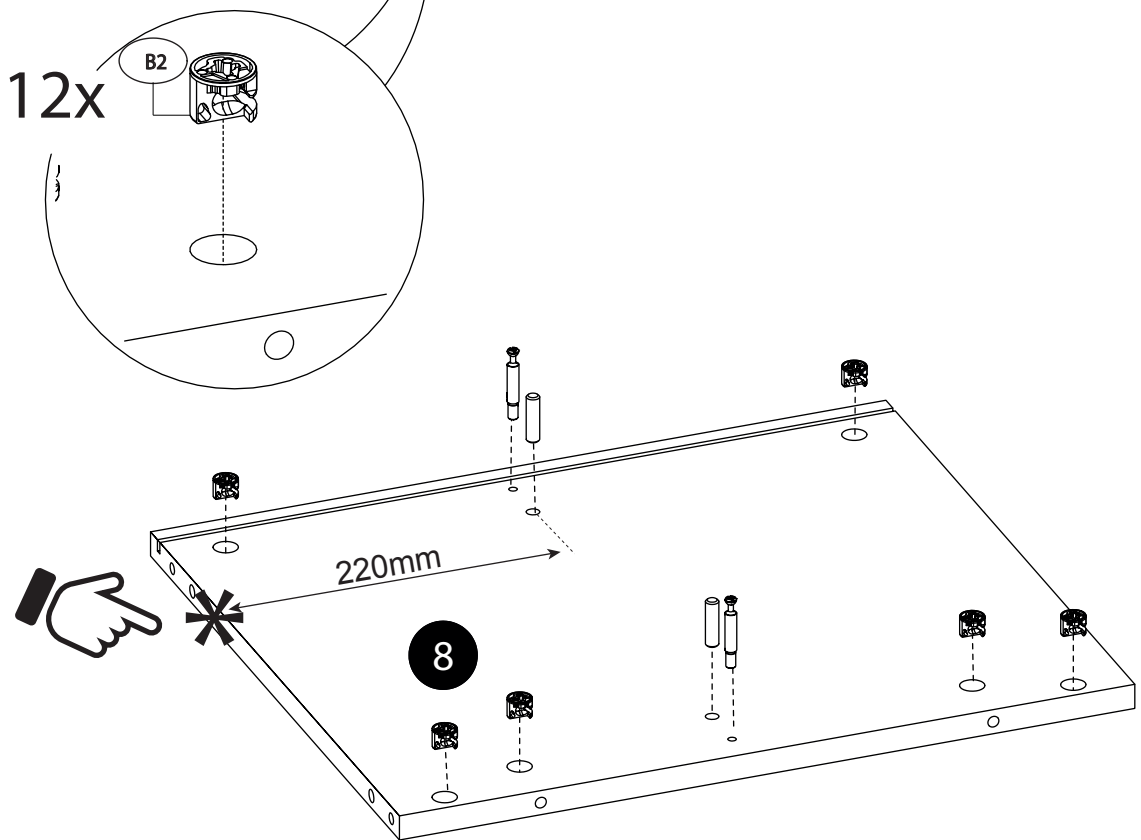
x2



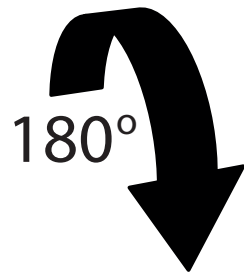
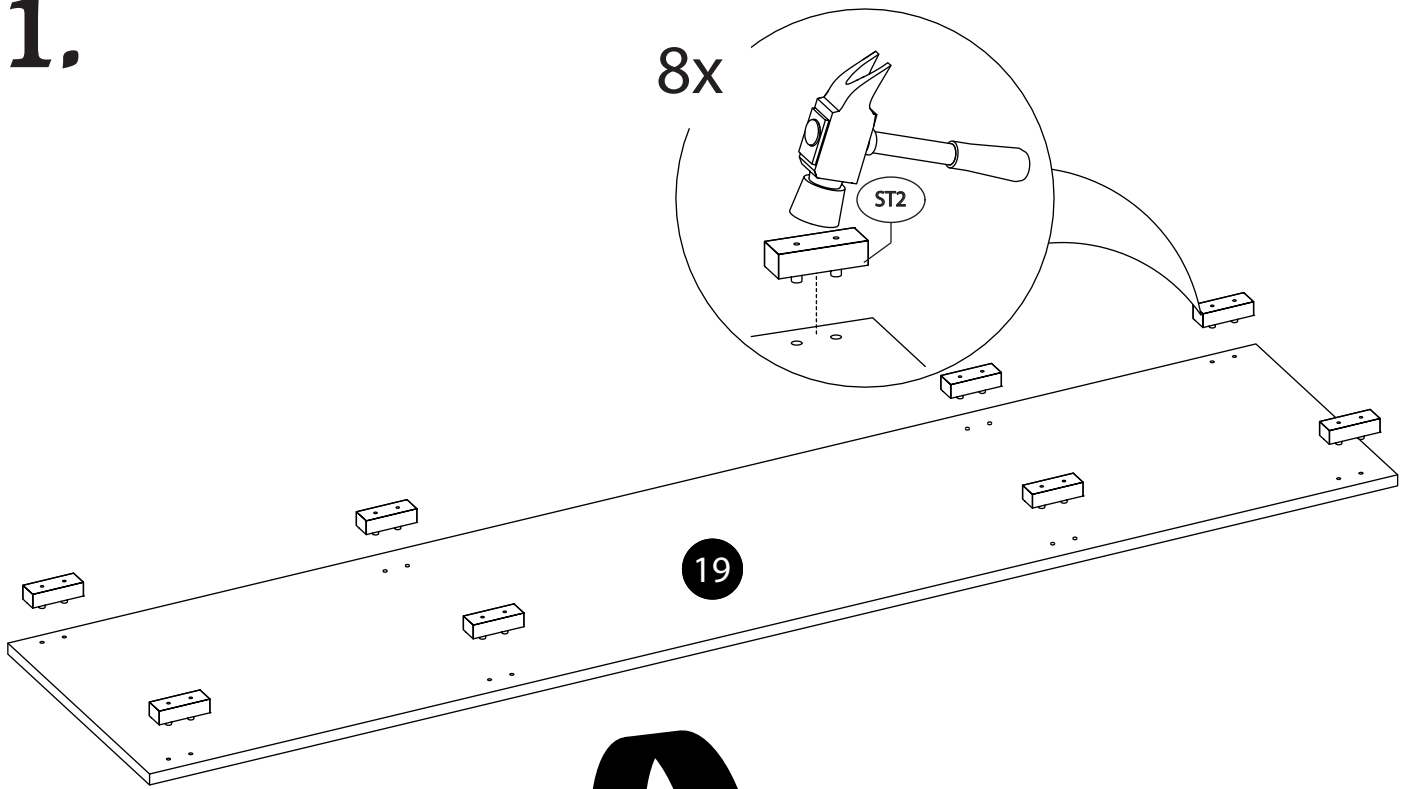
9.



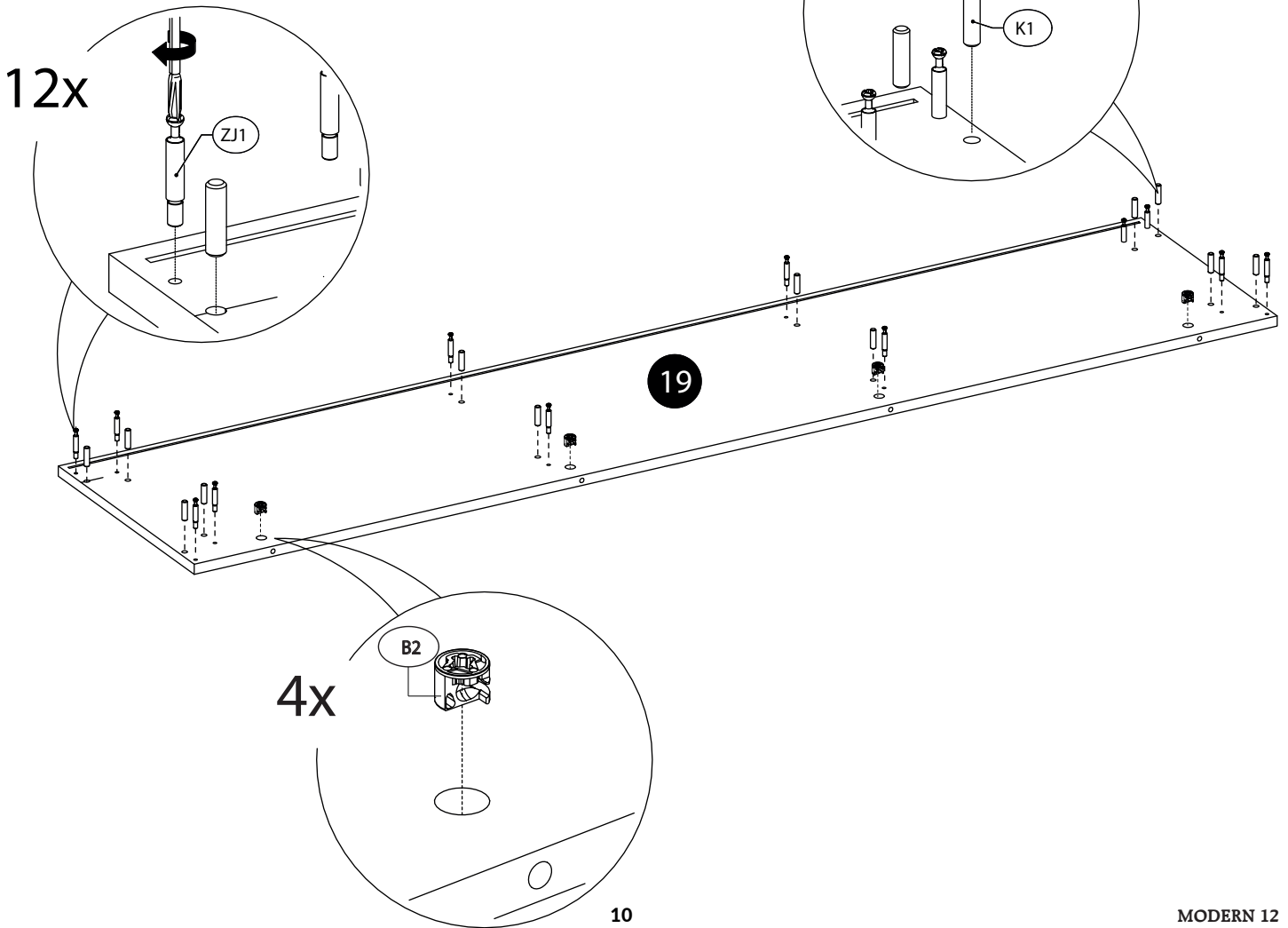
10.



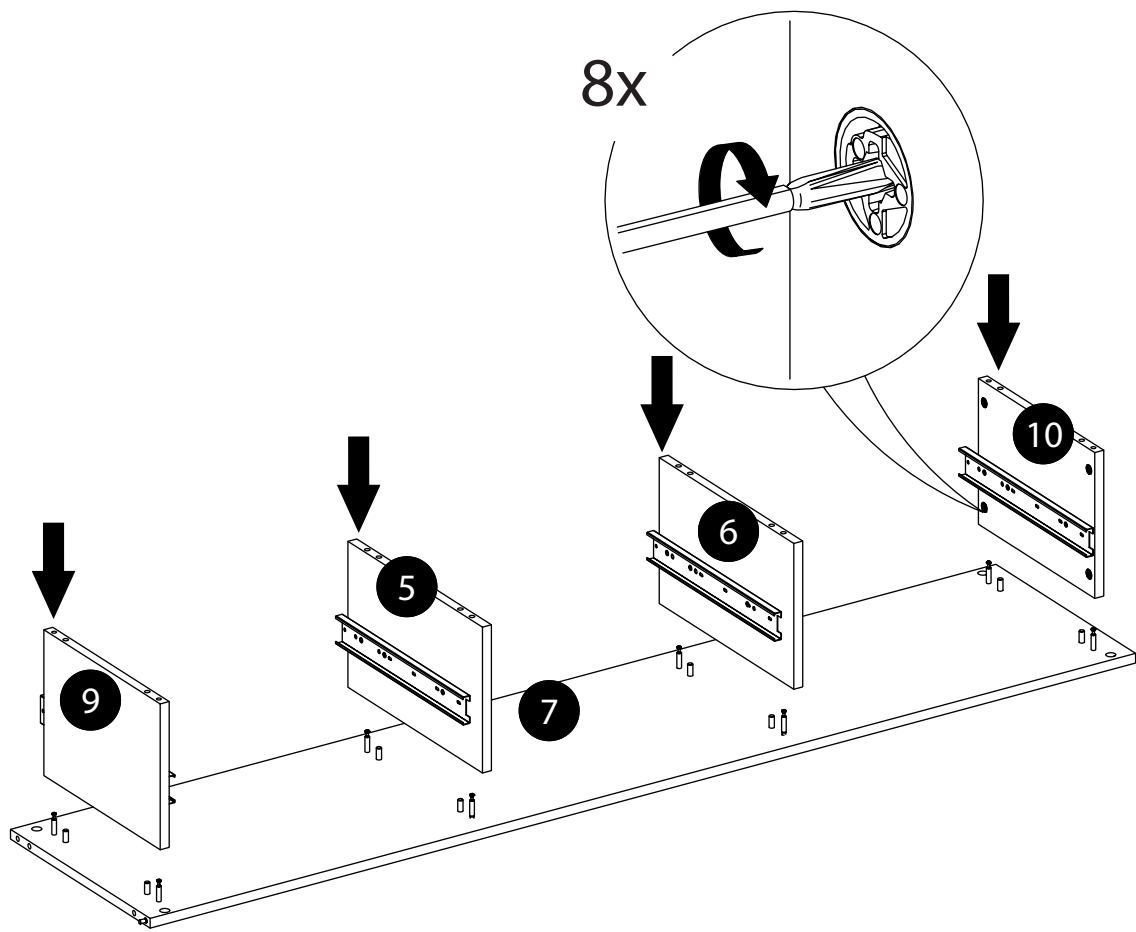
11.



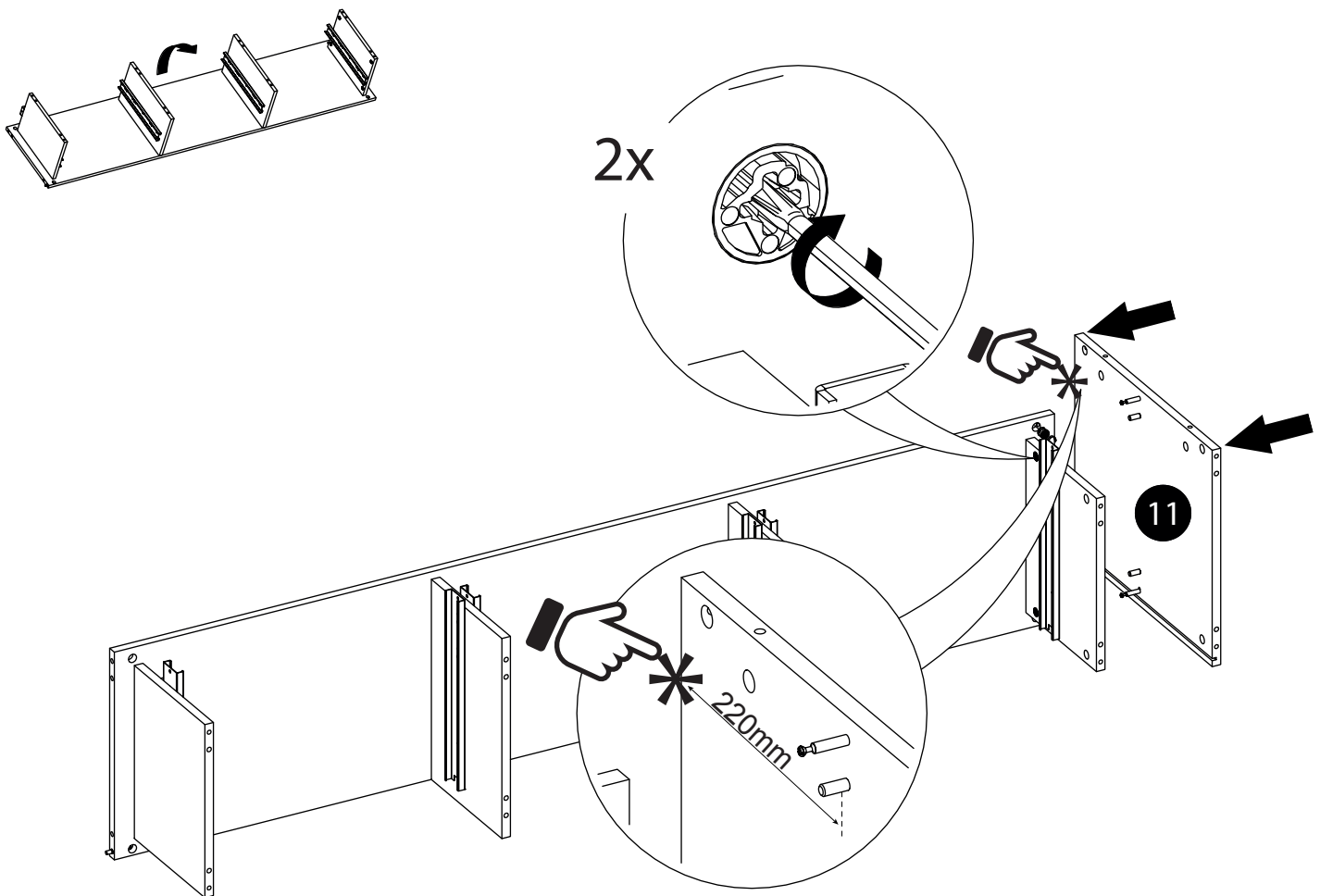
12.



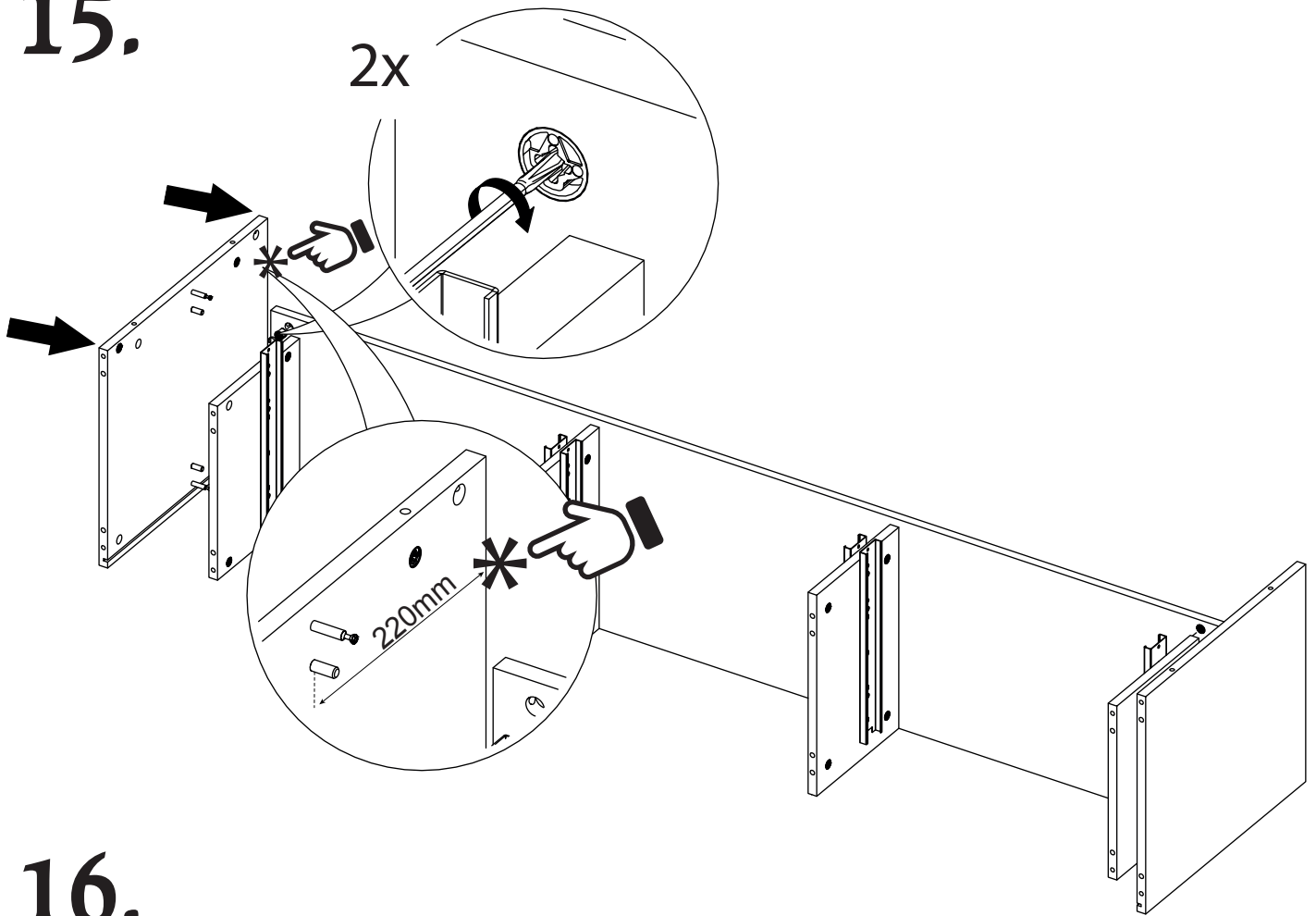
13.



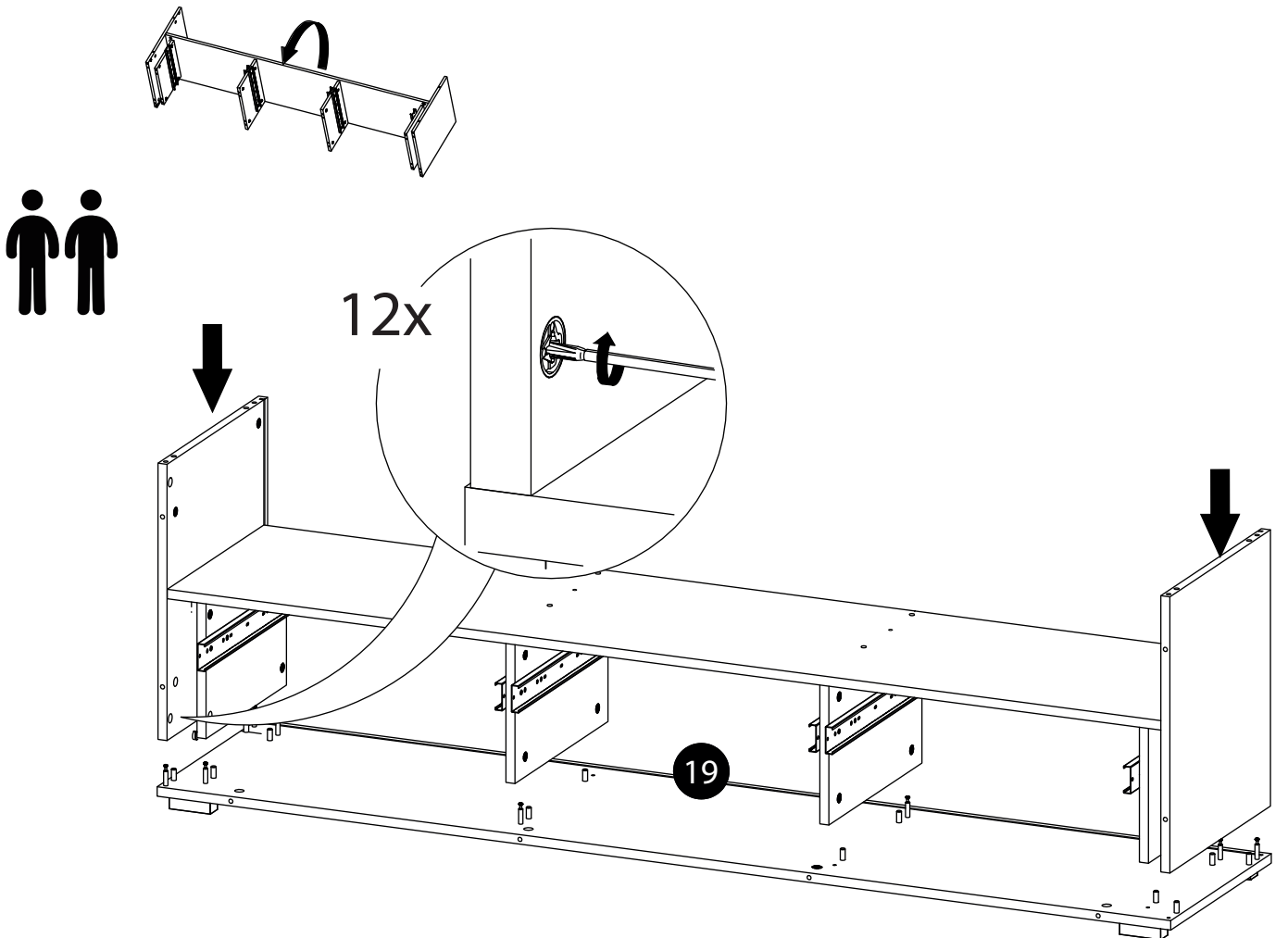
14.



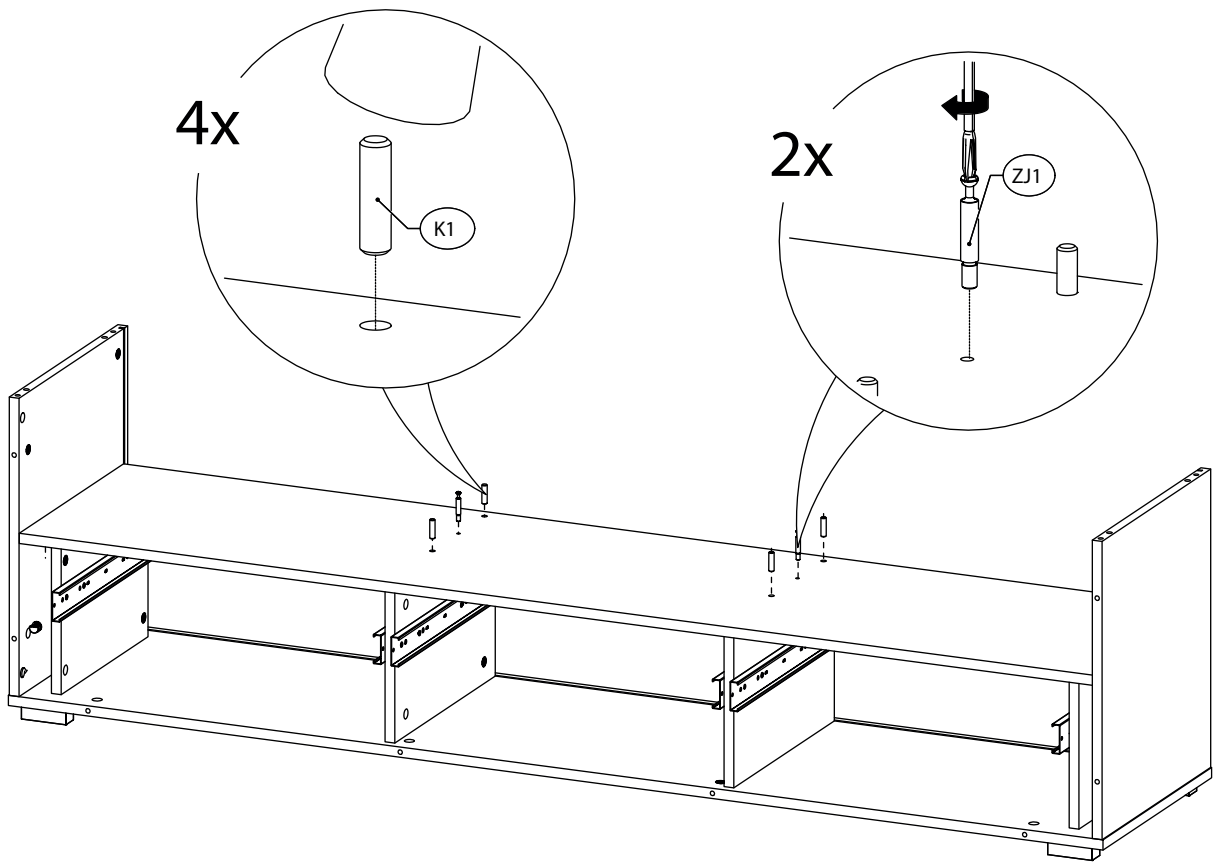
15.



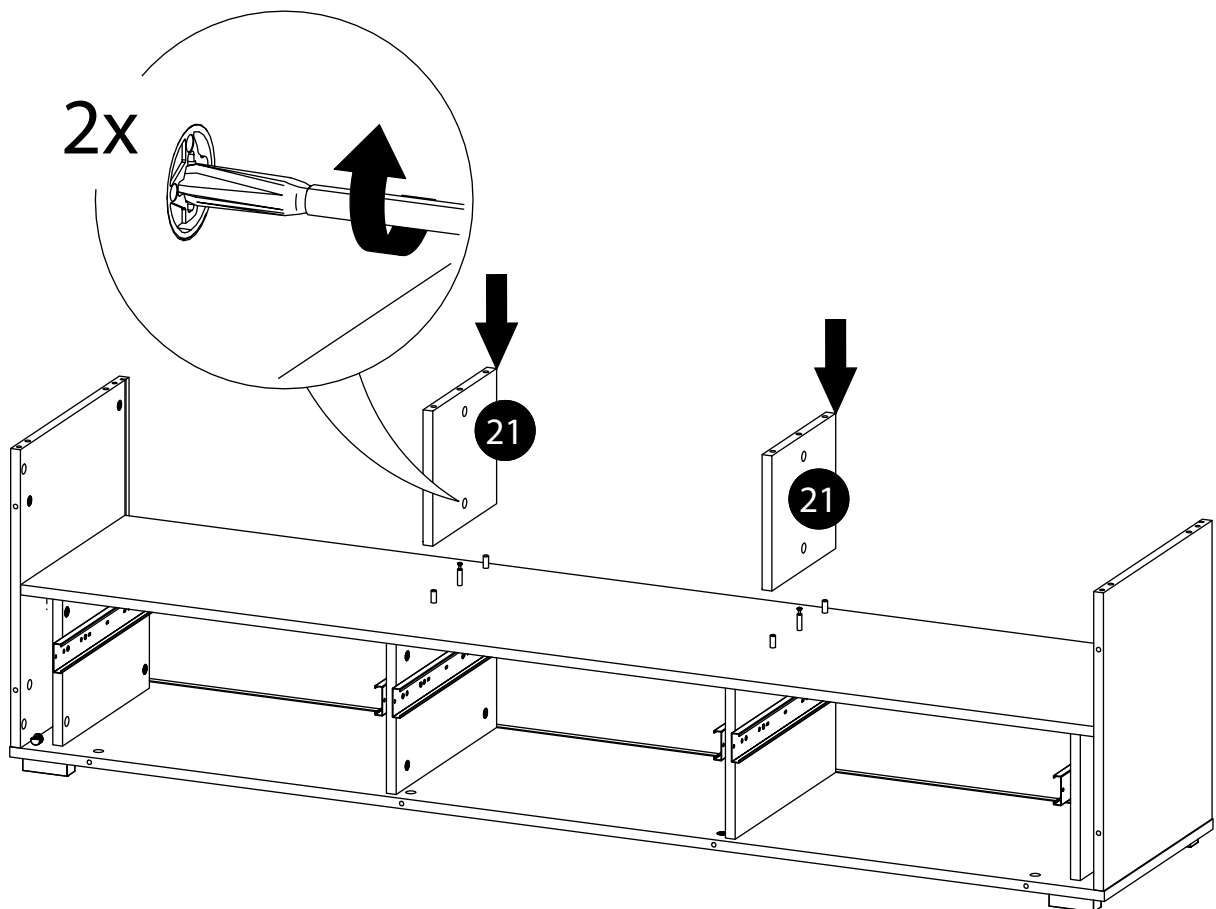
16.



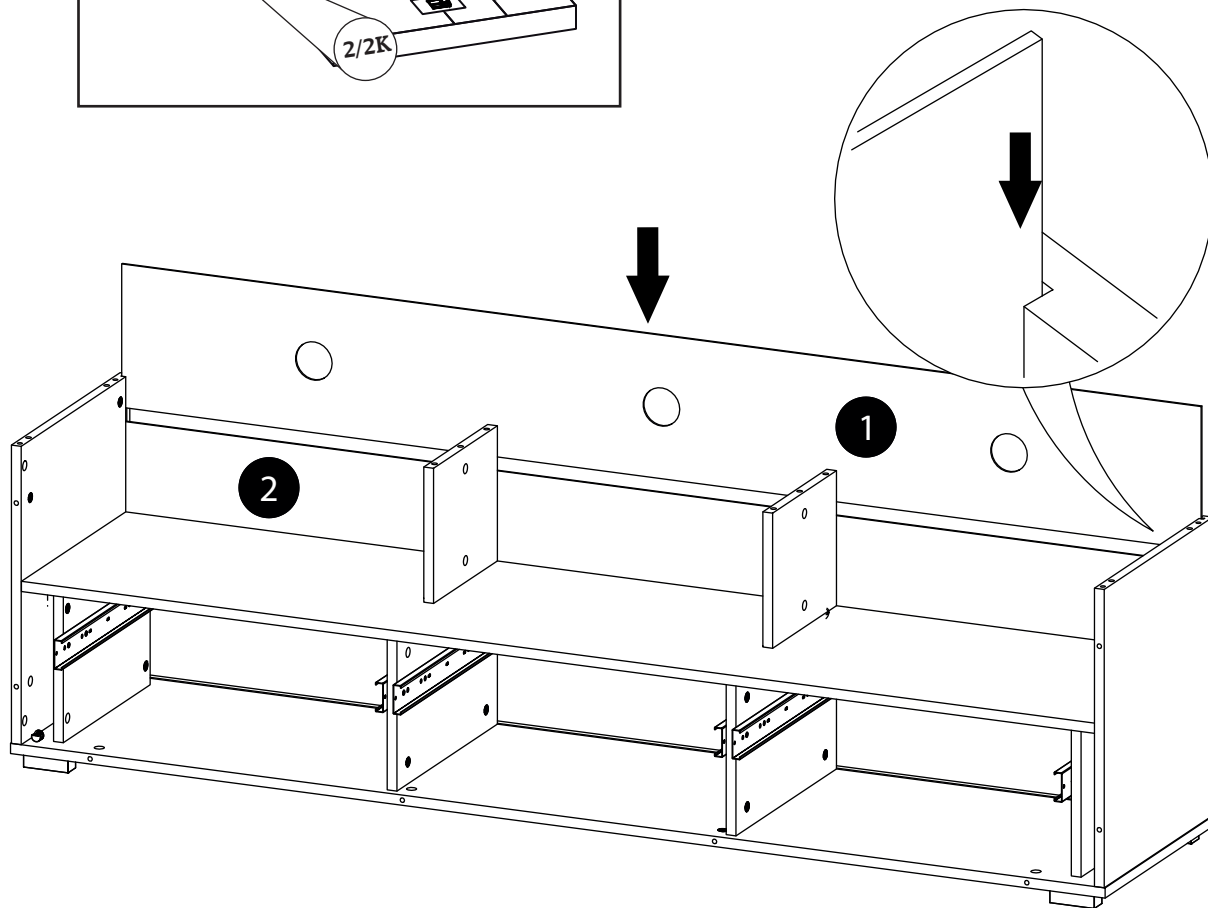
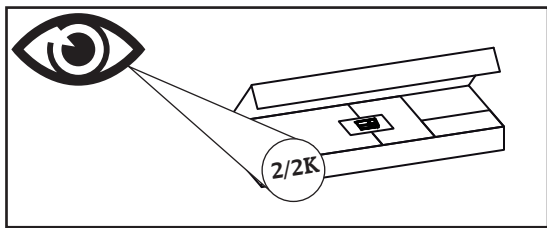
17.



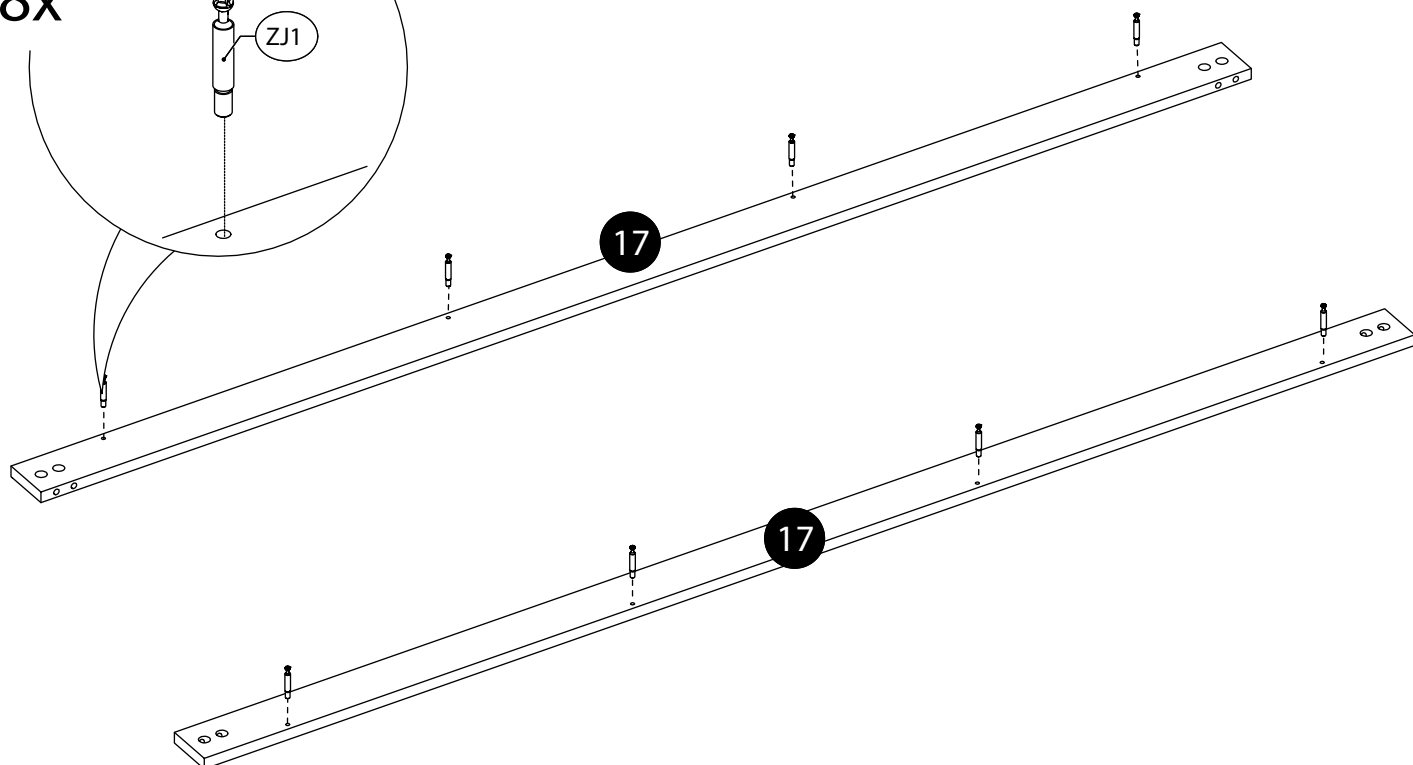
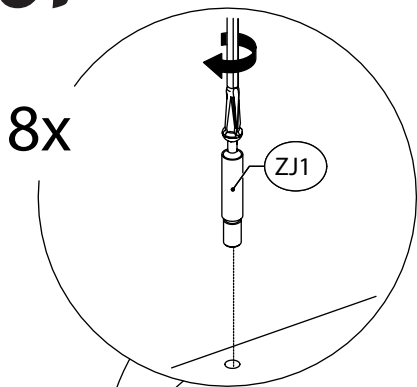
18.



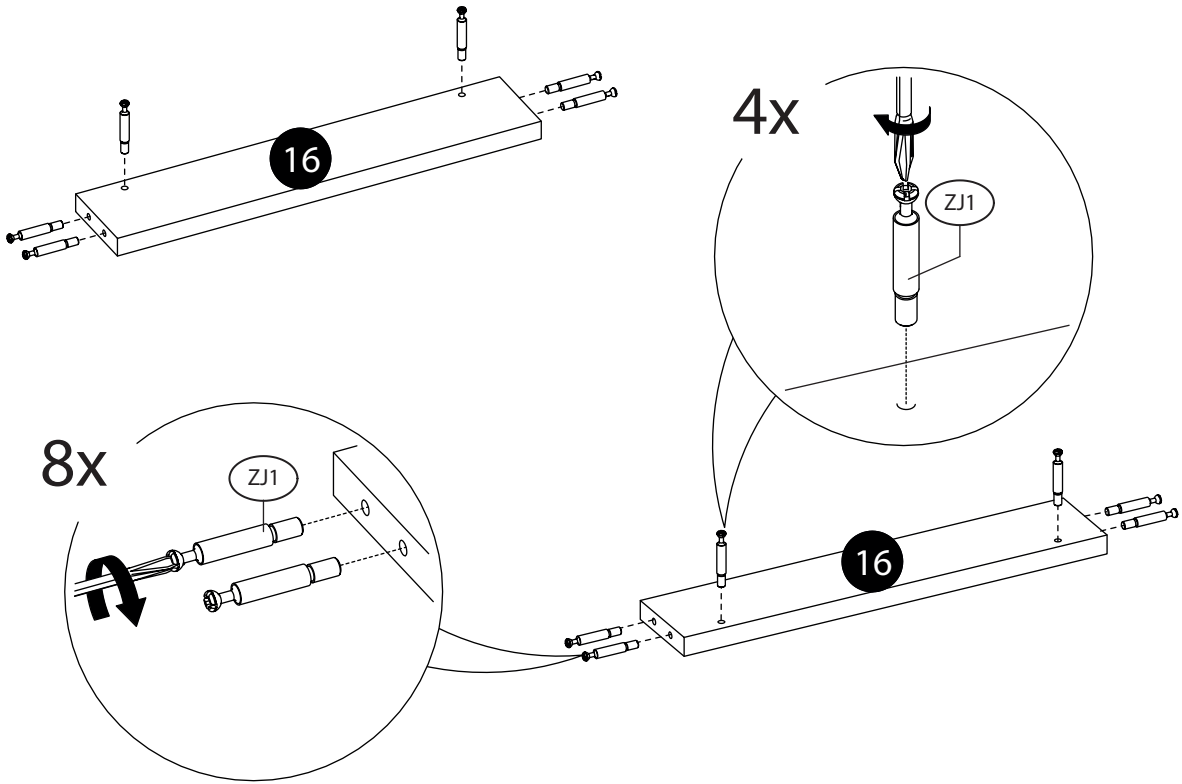
19.



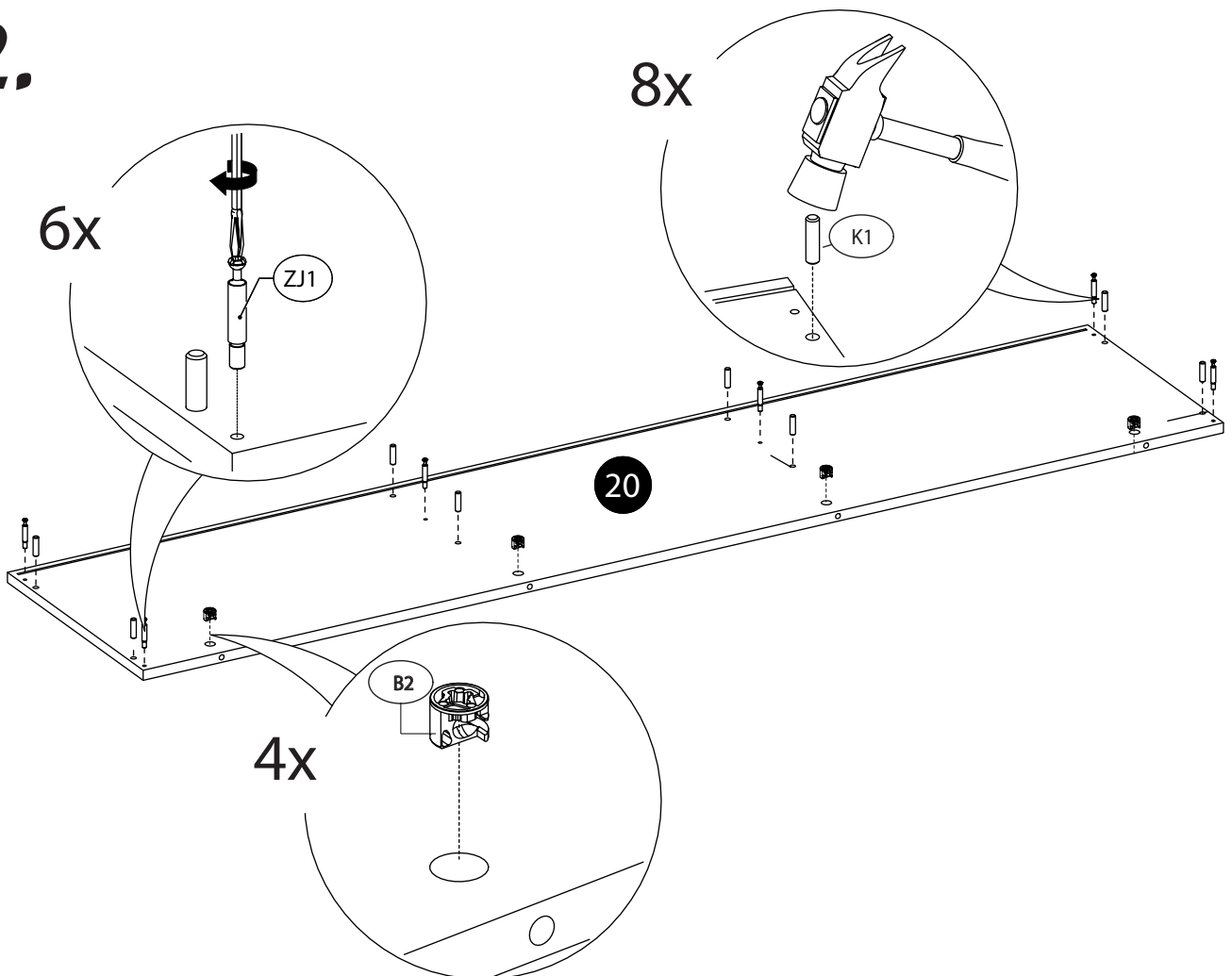
20.



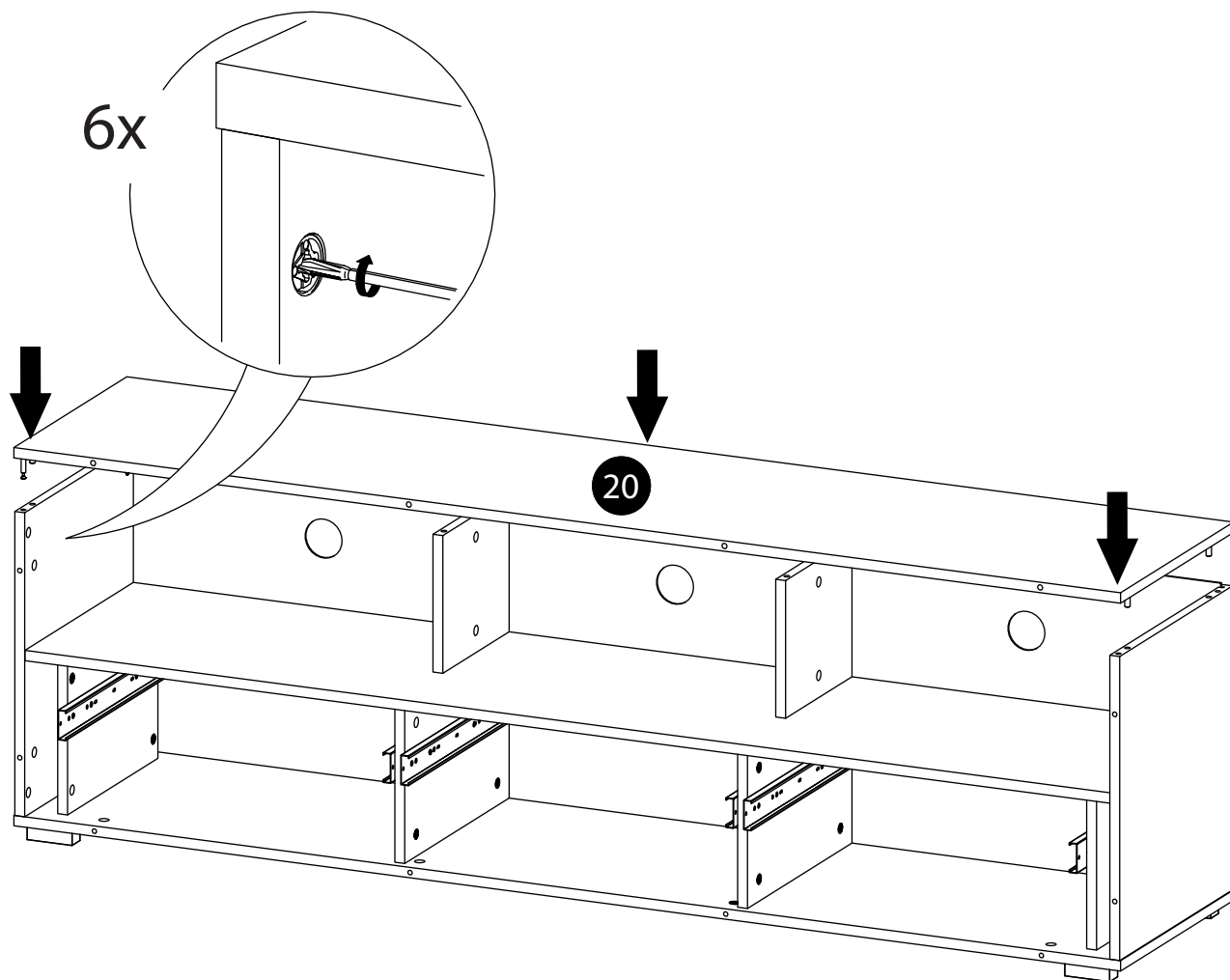
21.



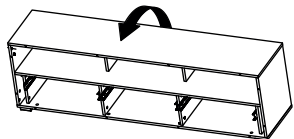
22.



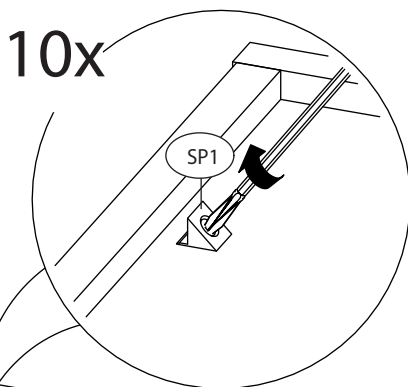
23.



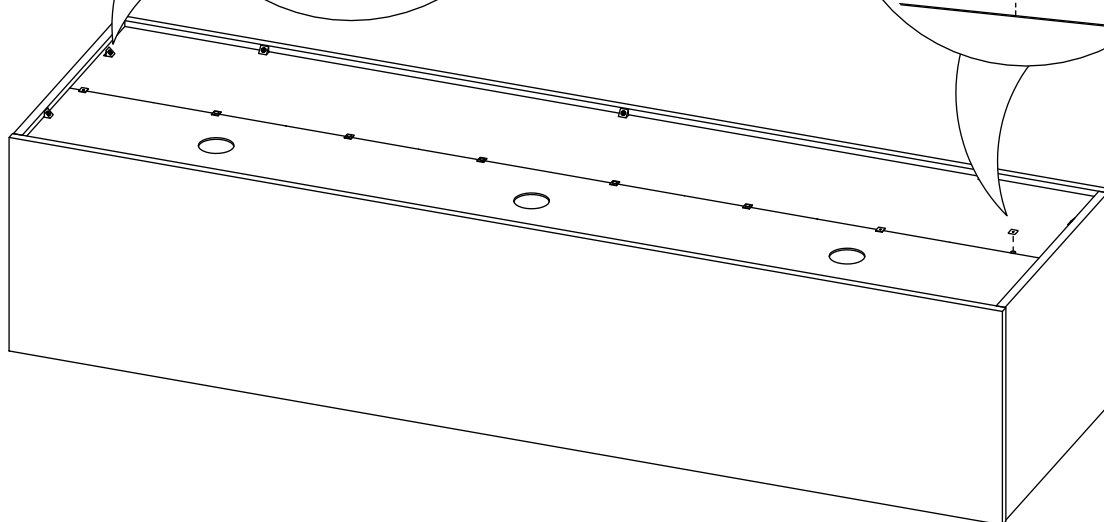
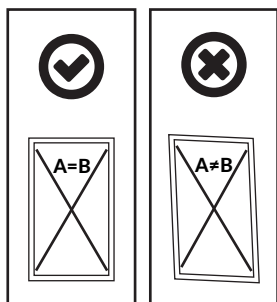
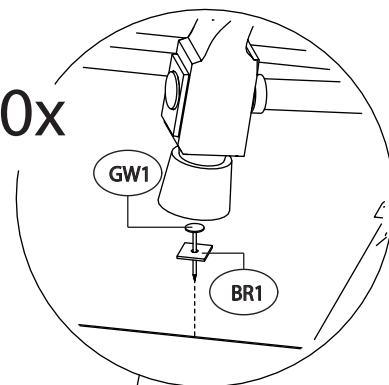
24.



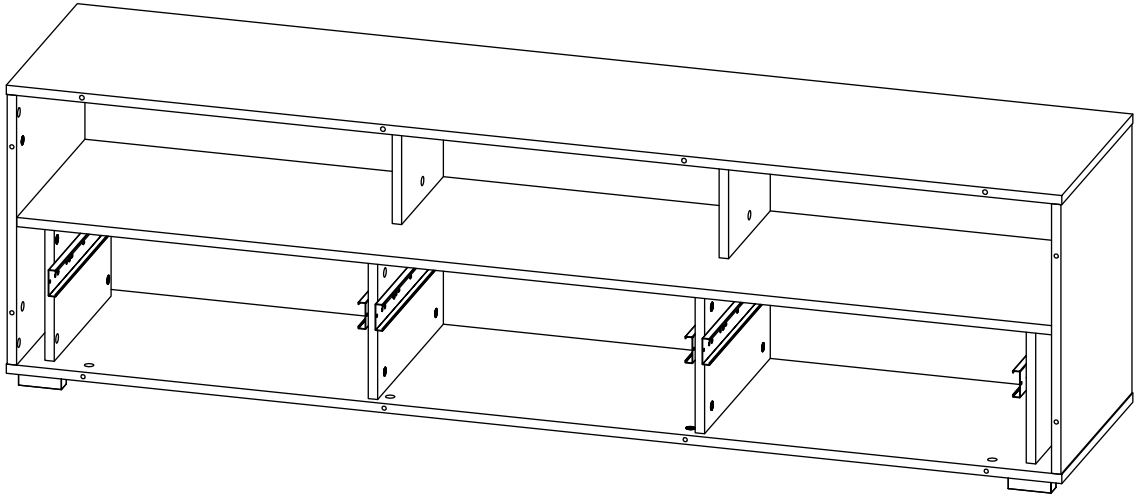
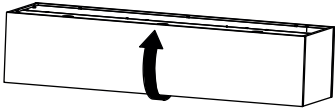
10x



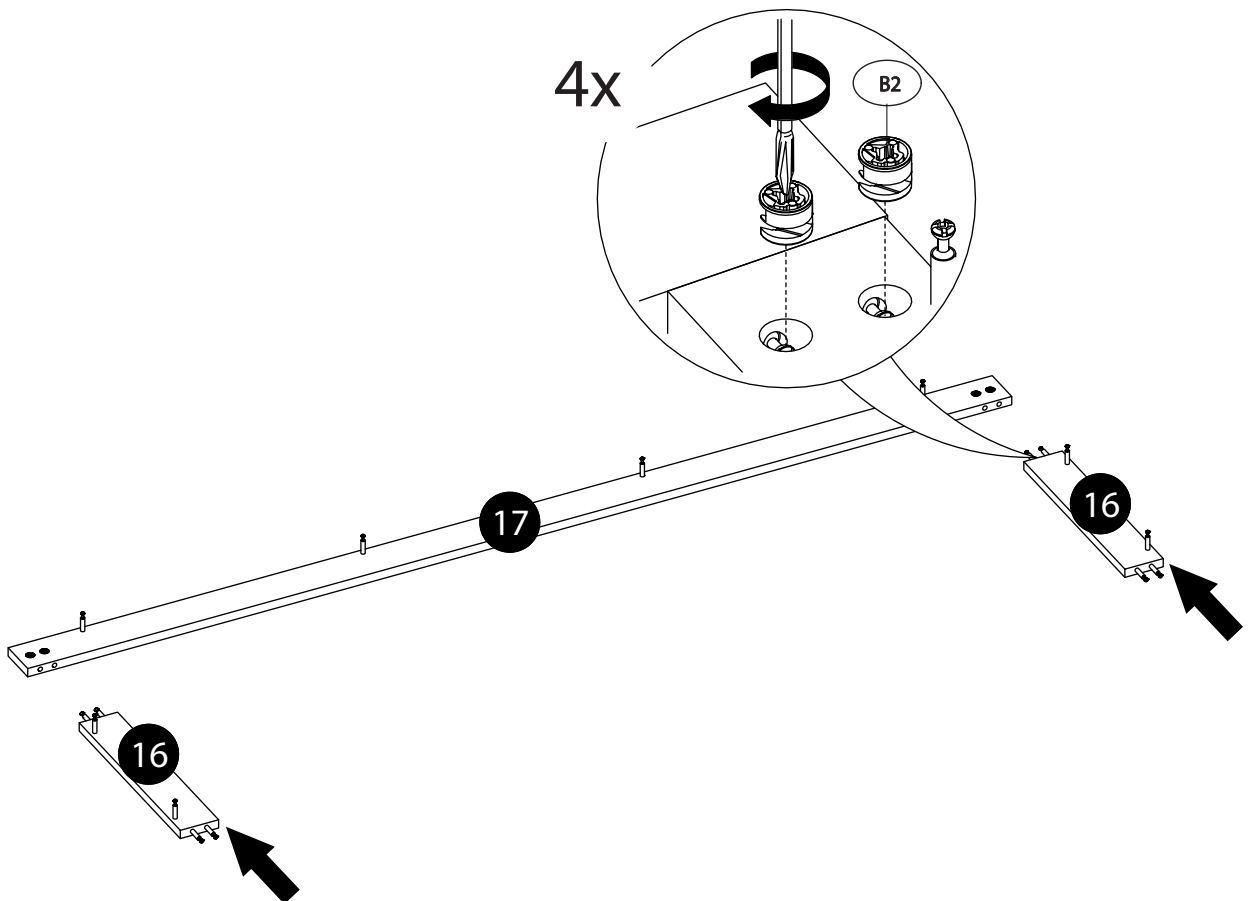
10x



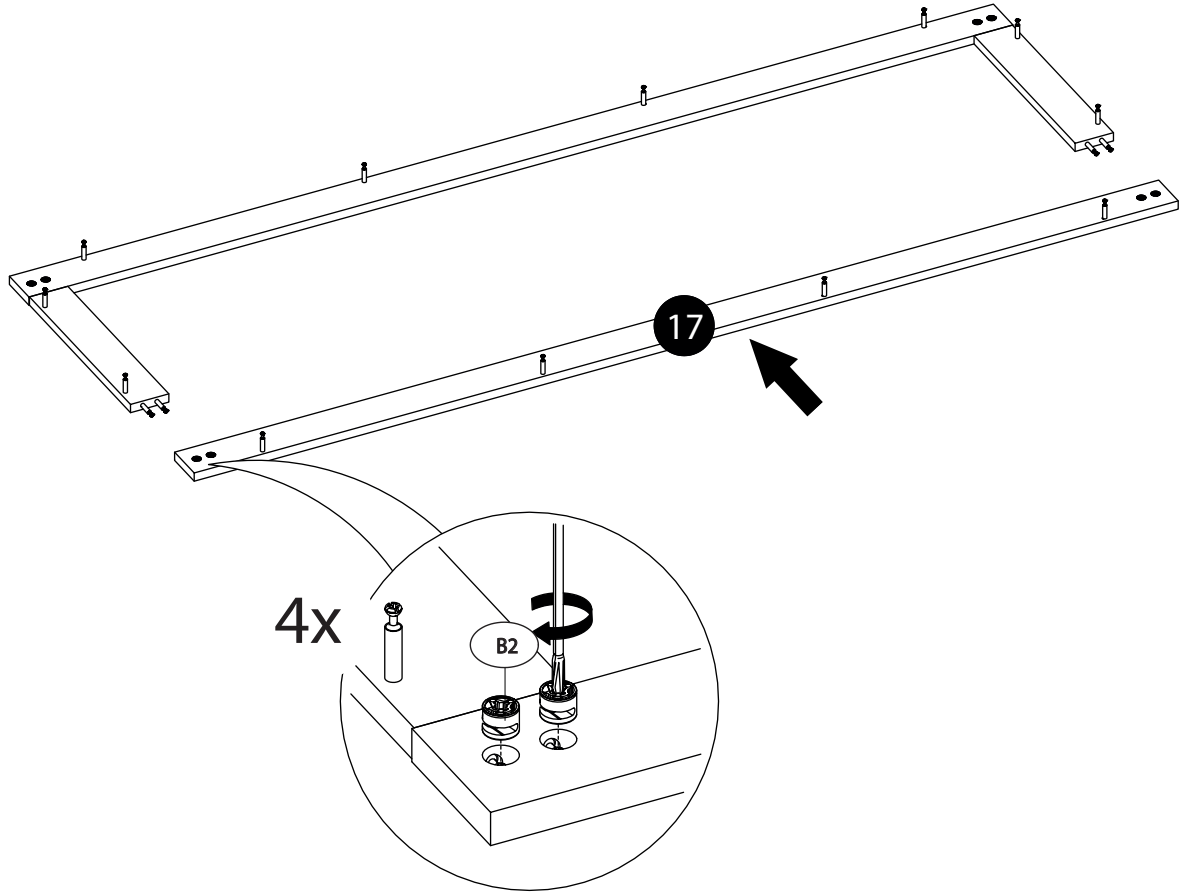
25.



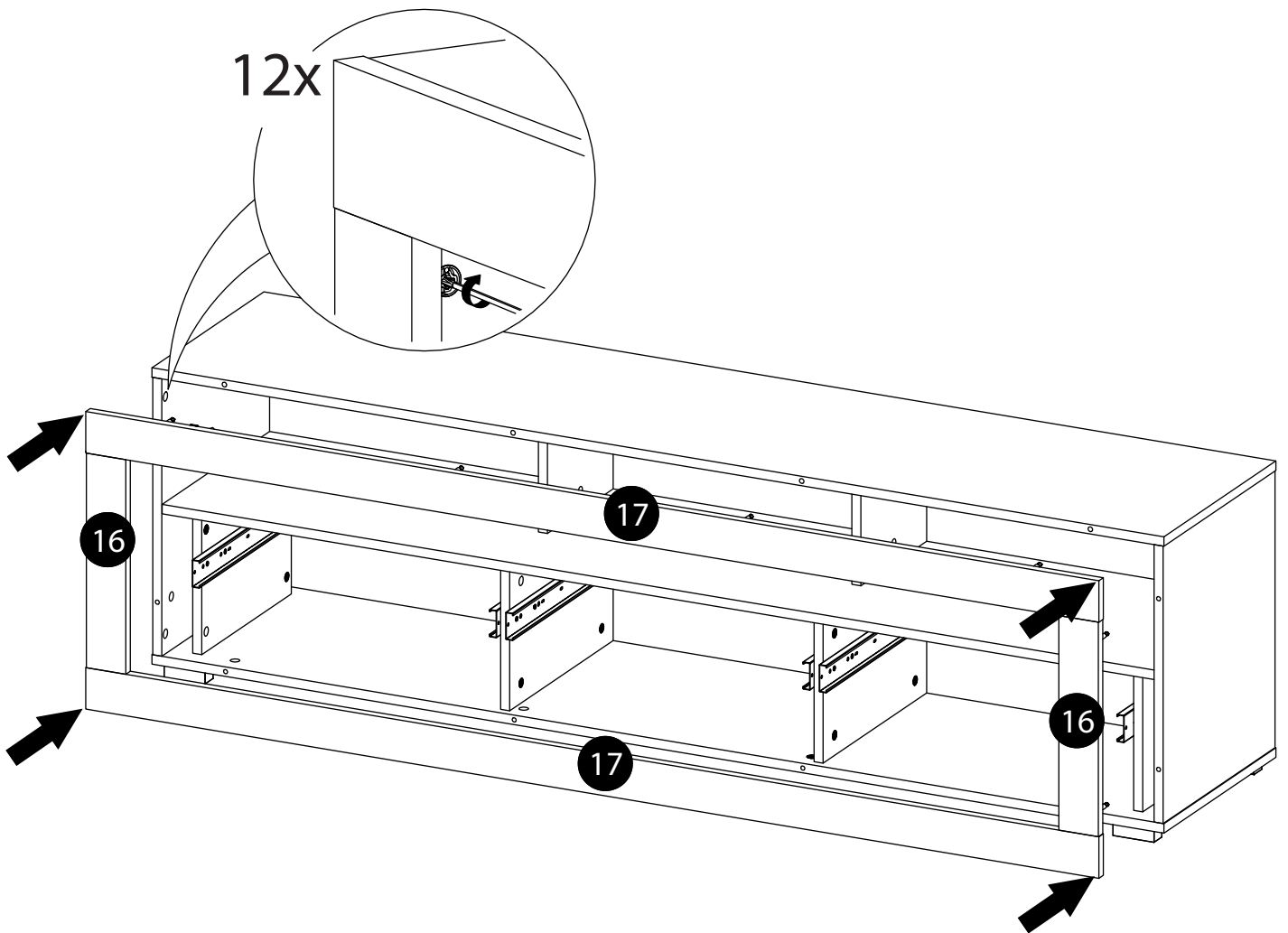
26.



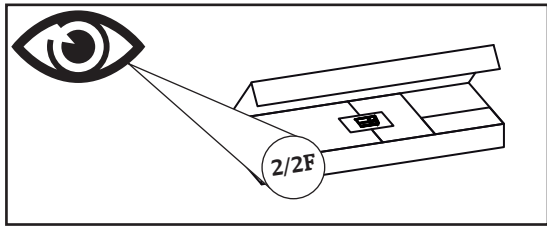
27.



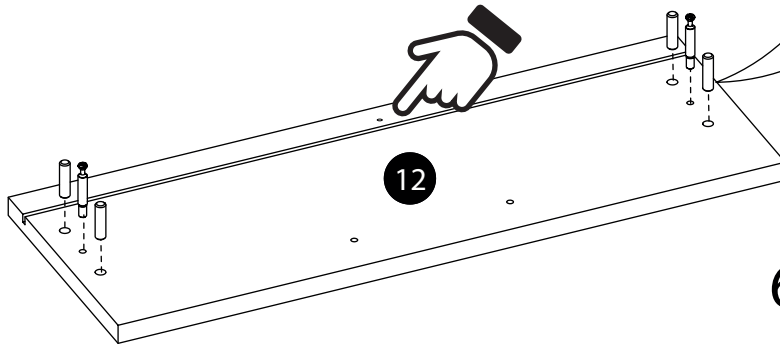
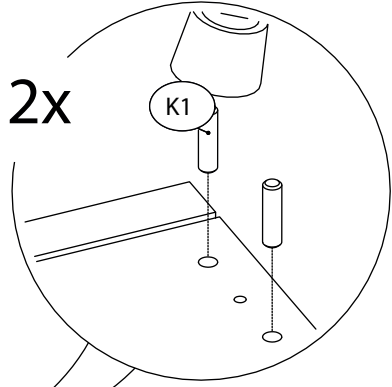
28.



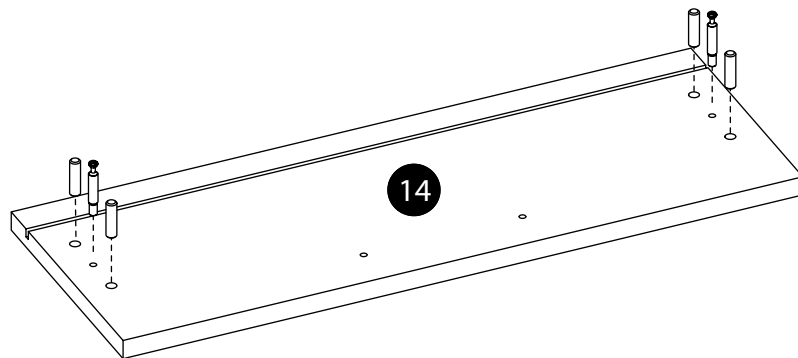
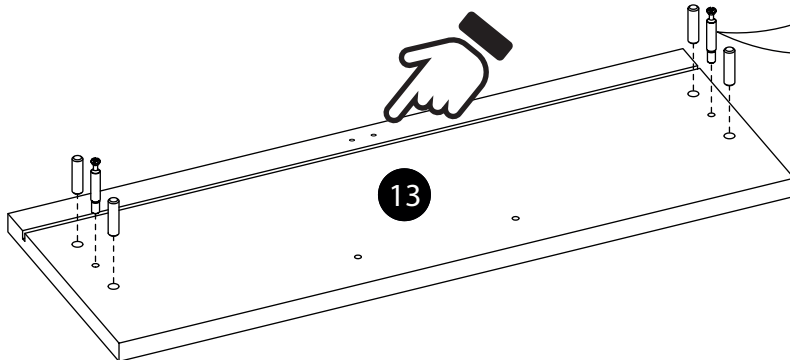
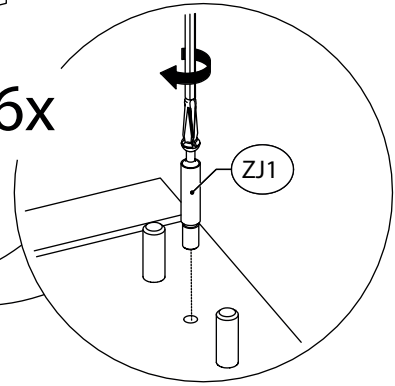
29.



12x

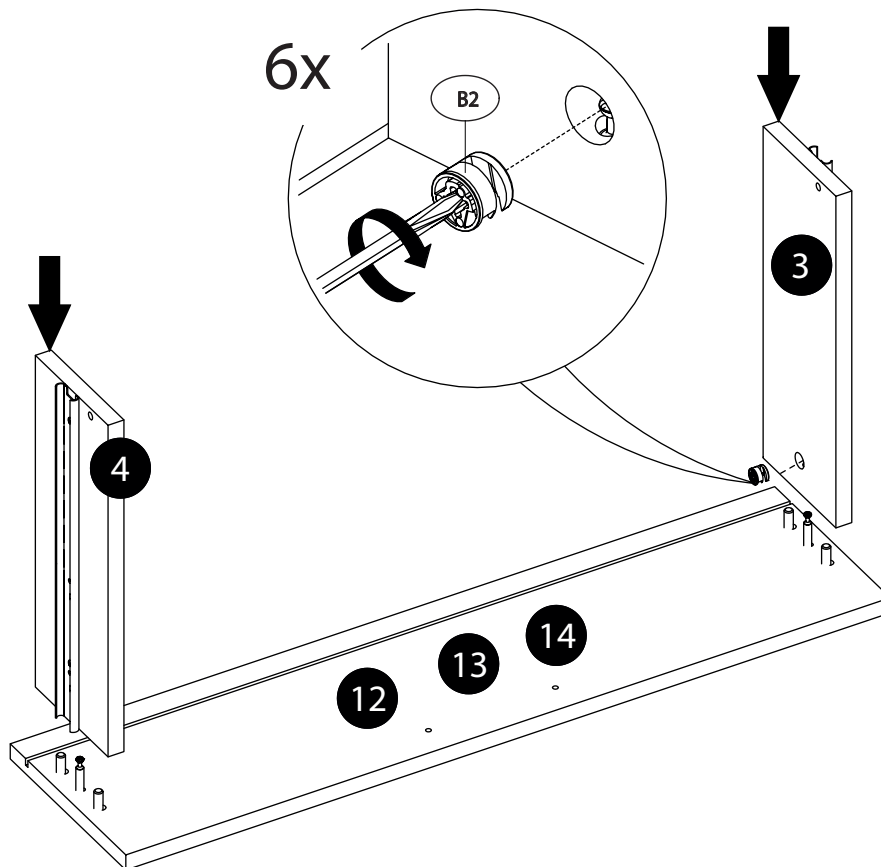


6x



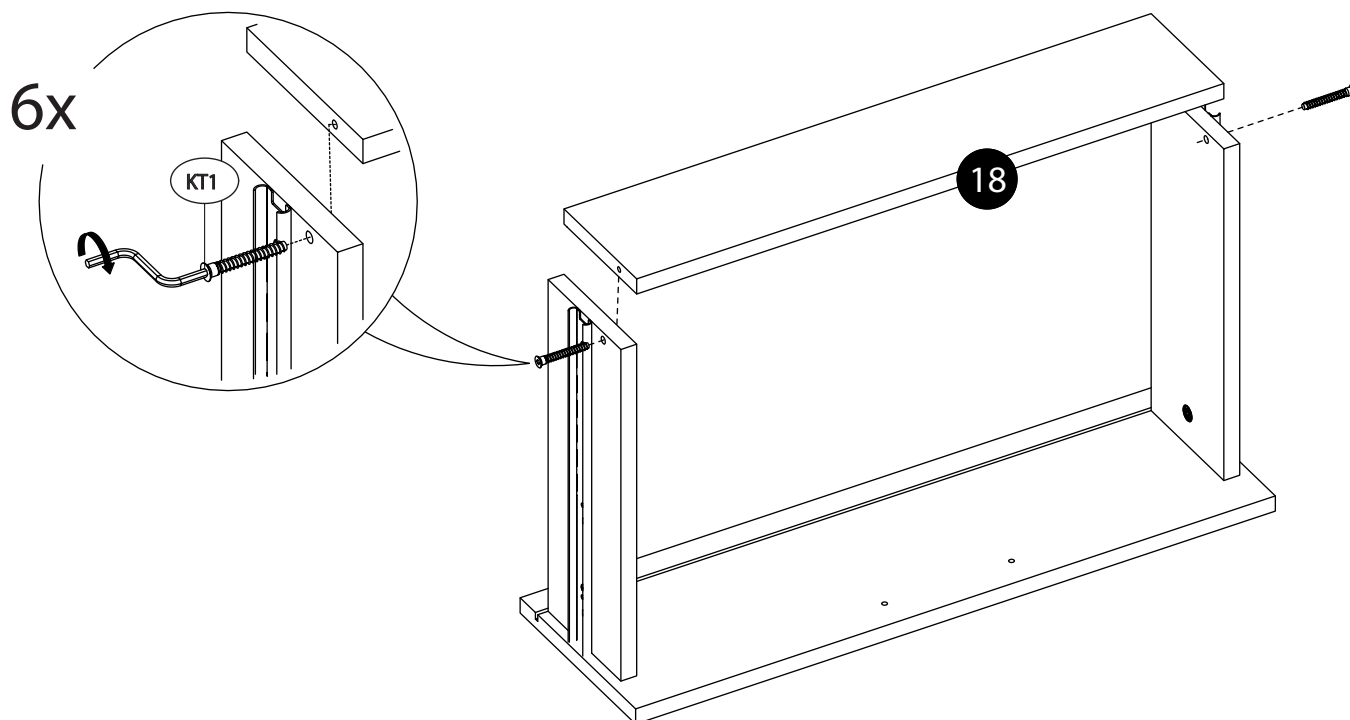
30.

x3



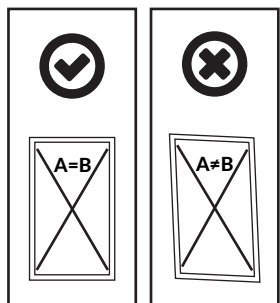
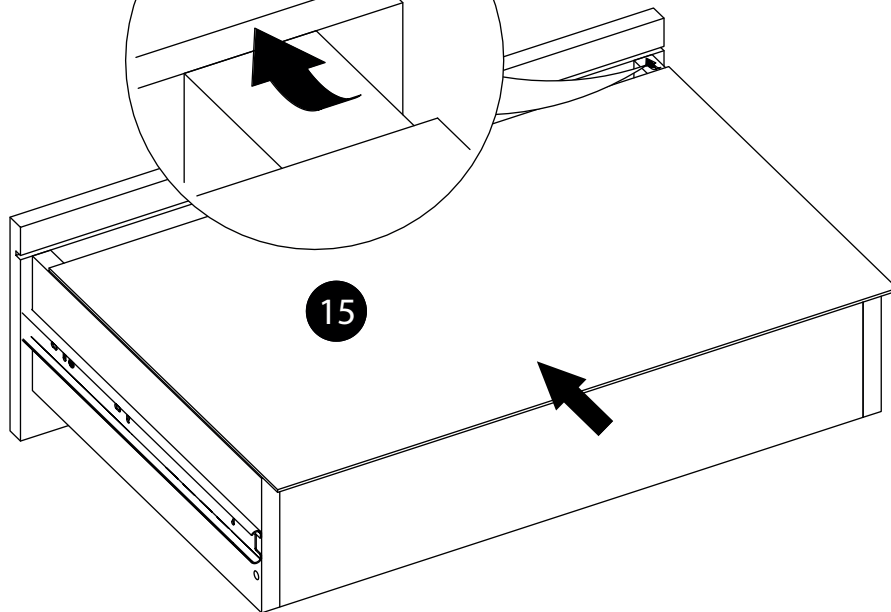
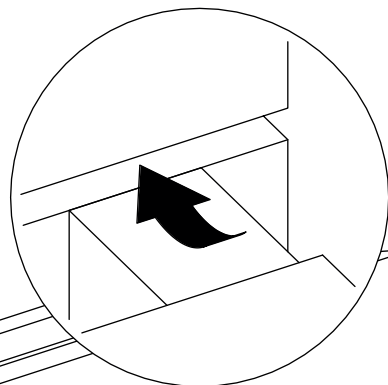
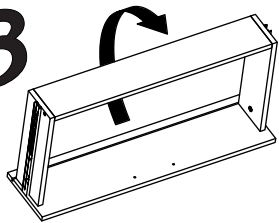
31.

x3



32.

x3

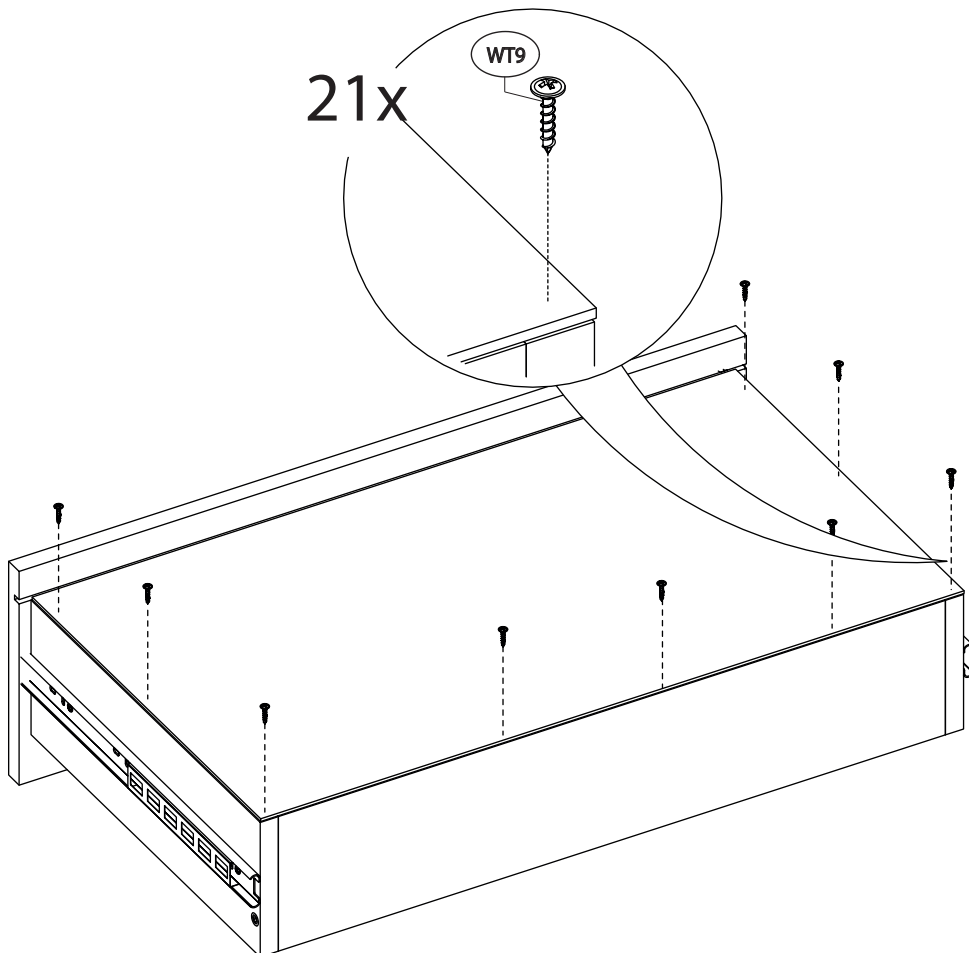


33.

x3

21x

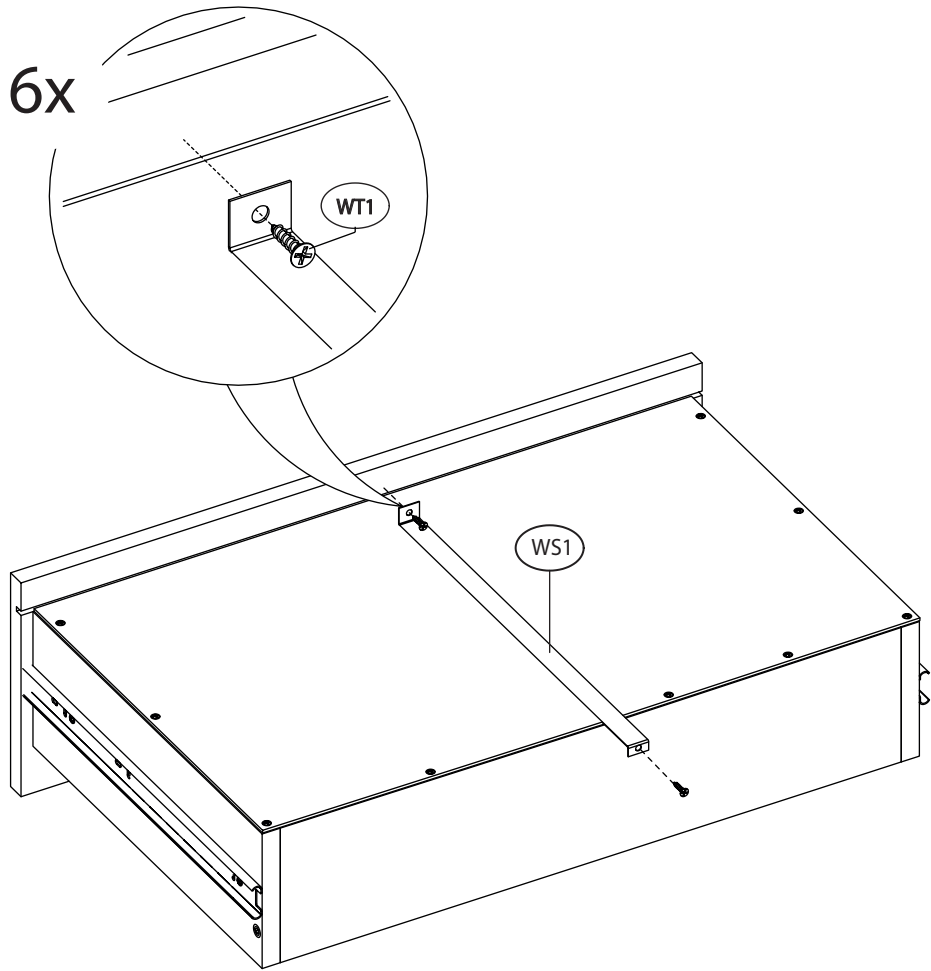
WT9



34.

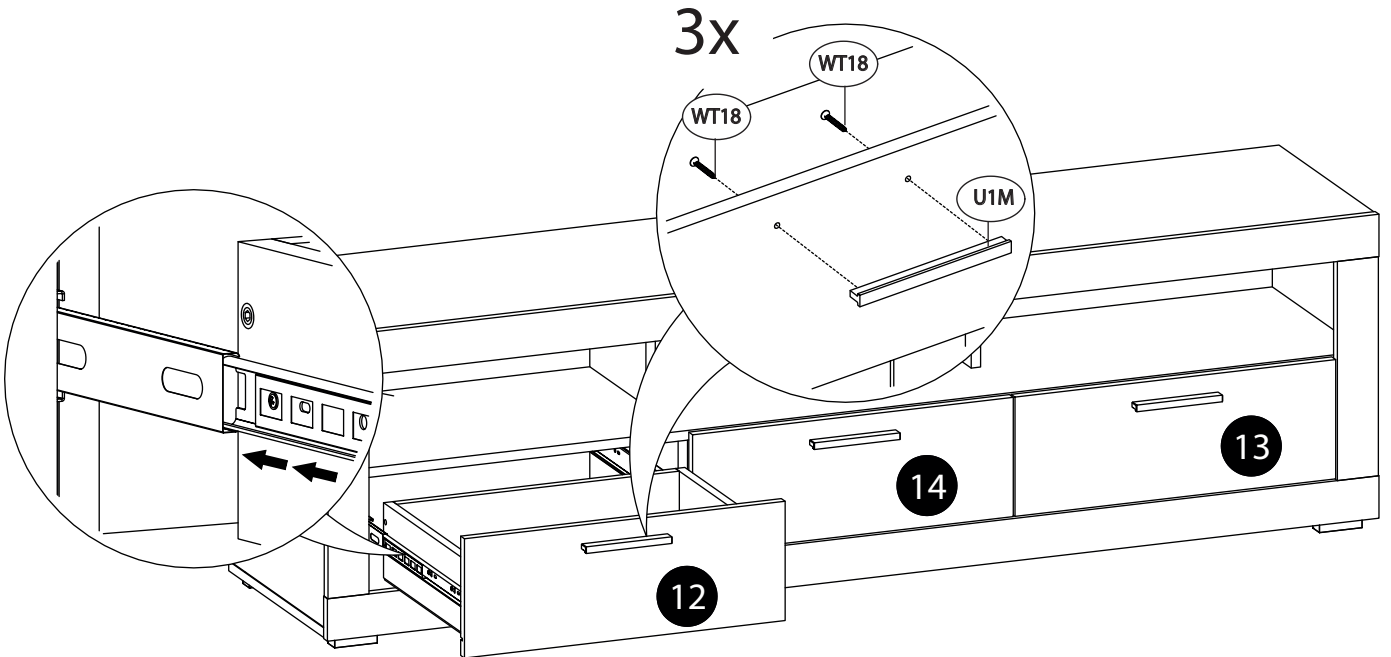
x3

6x



35.

3x



36.

