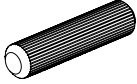
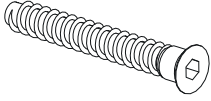
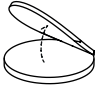
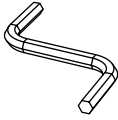
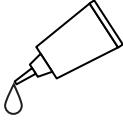

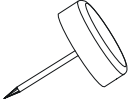
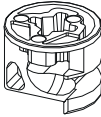

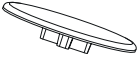
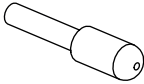
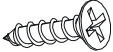
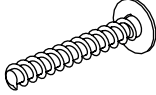

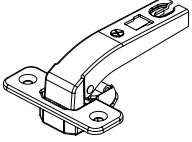
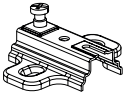
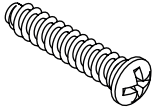
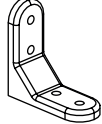
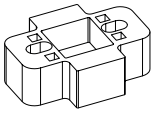
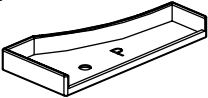
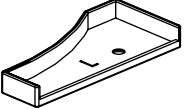
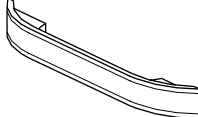
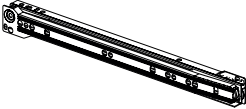
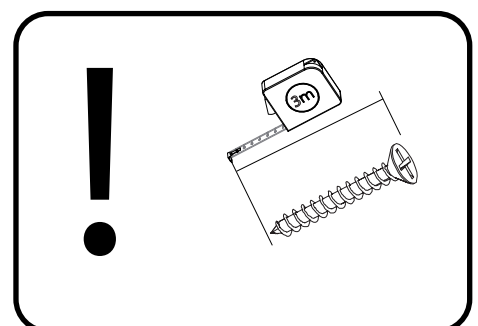
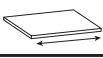
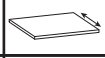
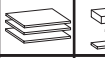



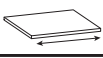
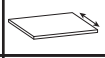
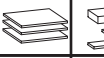

OLWIER 15N

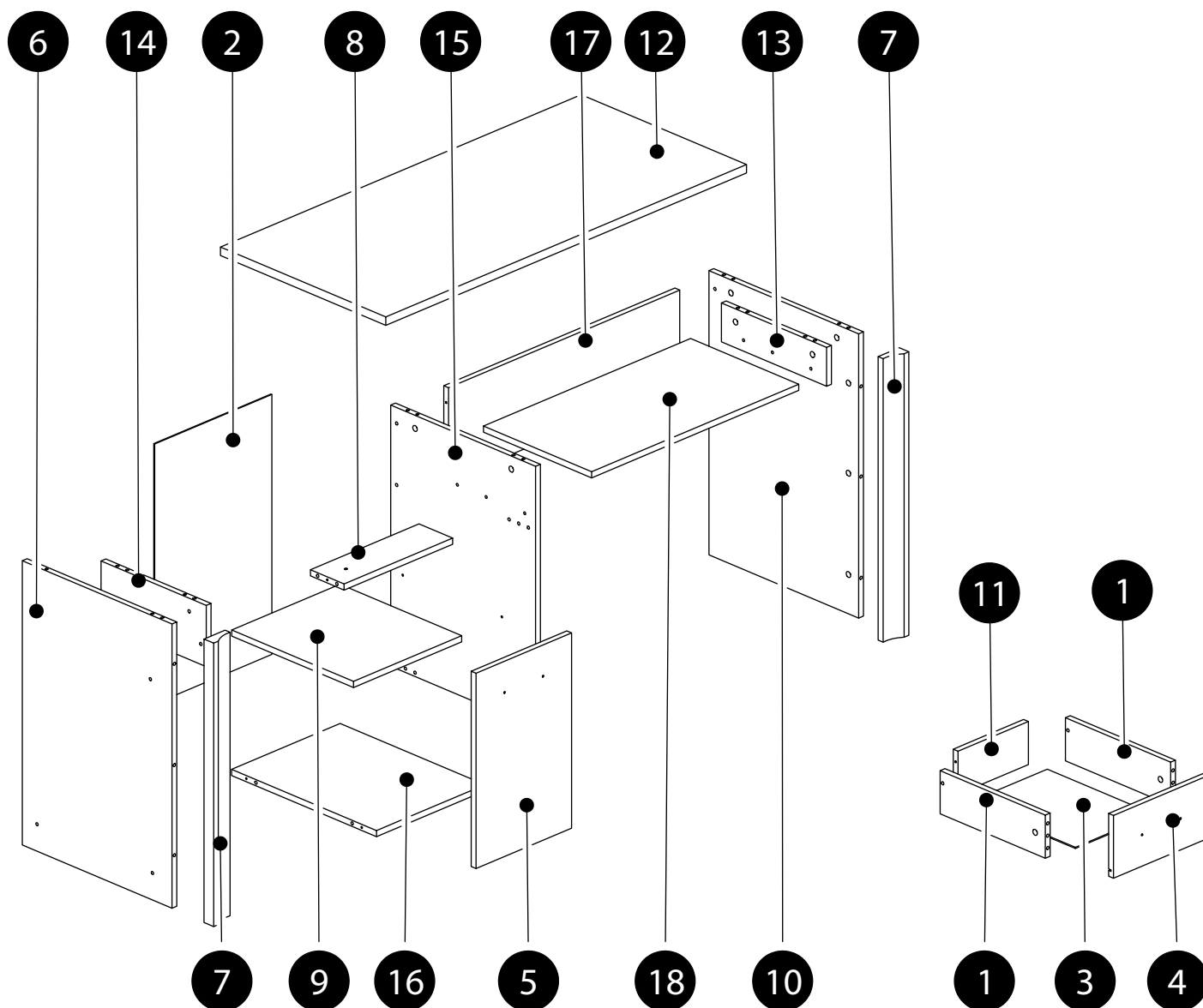
| | | |
|---|--|---|
| <p>K1 x 22 8x32</p>  | <p>KT1 x 13 6,3x50</p>  | <p>ZS1 x 8 Ø13</p>  |
| <p>x 1</p>  | <p>KL x 1</p>  | <p>GW1 x 40 1,4x25</p>  |
| <p>SG1 x 4</p>  | <p>B2 x 18 h-12</p>  | <p>ZJ1 x 18 L-43</p>  |
| <p>ZM1 x 18 Ø18</p>  | <p>PO1 x 4 Ø3</p>  | <p>WT1 x 32 3,5x15</p>  |
| <p>WT17 x 4 4x27</p>  | <p>WT7 x 4 3x10</p>  | <p>ZP8 x 2 ROWN</p>  |
| <p>PK3 x 2 H-2</p>  | <p>WE1 x 4 EK6,3x30BM</p>  | <p>KW7 x 1 50x50</p>  |
| <p>DS5 x 2</p>  | <p>ZPP x 2</p>  | <p>ZPL x 2</p>  |
| <p>UOL x 2 L-128</p>  | <p>P5 x 2 L-350</p>  | |

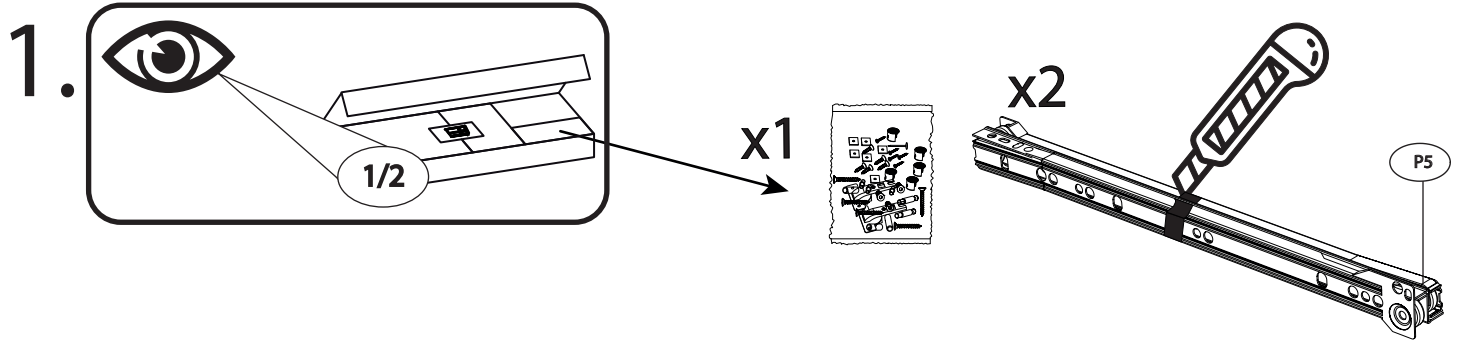


OLIWIER 15N

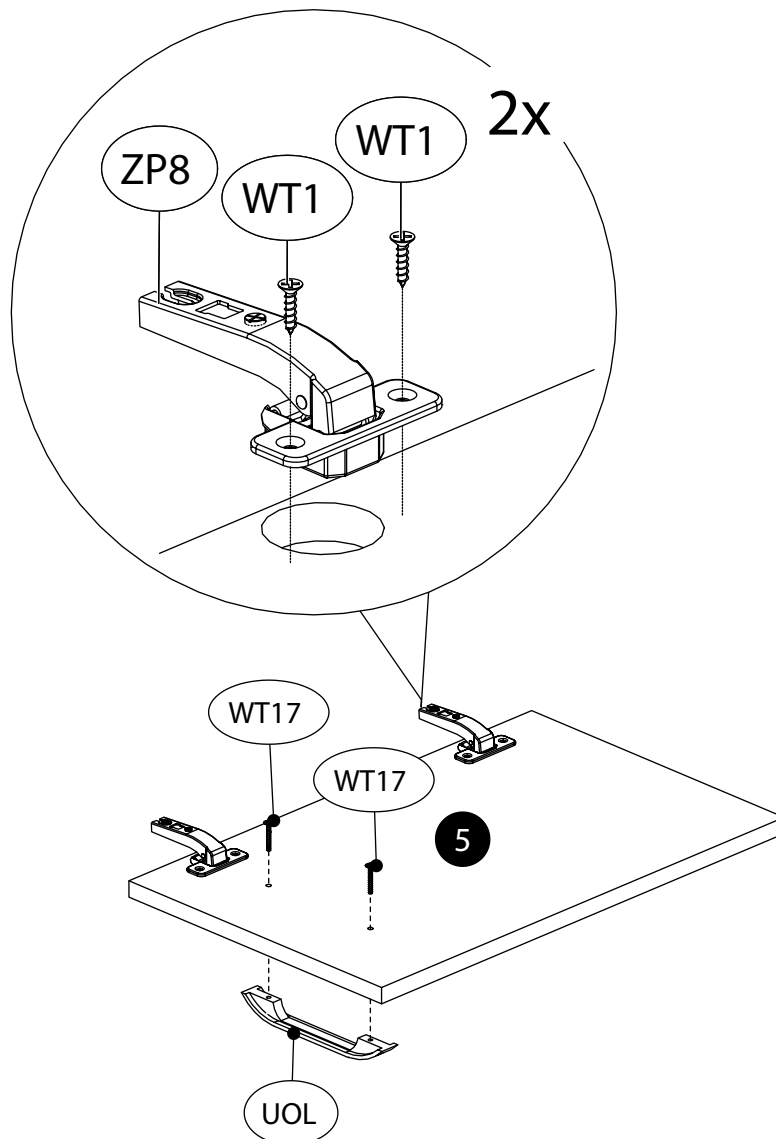
| | CODE |  |  |  |  |
|----|------------------|---|---|---|---|
| 1 | Oliwier15_13 | 350 | 112 | 2 | 2/2 |
| 2 | Oliwier15NHDF_01 | 390 | 675 | 1 | 1/2 |
| 3 | Oliwier15NHDF_02 | 261 | 355 | 1 | 1/2 |
| 4 | Oliwier15_10 | 318 | 163 | 1 | 2/2 |
| 5 | Oliwier15N_11 | 318 | 507 | 1 | 1/2 |
| 6 | Oliwier15N_03 | 738 | 498 | 1 | 1/2 |
| 7 | Oliwier15N_01 | 736 | 70 | 2 | 2/2 |
| 8 | Oliwier15_09 | 361 | 112 | 1 | 2/2 |
| 9 | Oliwier15_15 | 360 | 405 | 1 | 1/2 |
| 10 | Oliwier15N_04 | 738 | 498 | 1 | 1/2 |

| | CODE |  |  |  |  |
|----|--------------|---|---|---|---|
| 11 | Oliwier15_14 | 234 | 112 | 1 | 2/2 |
| 12 | Oliwier15_01 | 1200 | 550 | 1 | 1/2 |
| 13 | Oliwier15_06 | 101 | 350 | 1 | 2/2 |
| 14 | Oliwier15_12 | 159 | 350 | 1 | 2/2 |
| 15 | Oliwier15_05 | 678 | 482 | 1 | 1/2 |
| 16 | Oliwier15_08 | 361 | 482 | 1 | 1/2 |
| 17 | Oliwier15_07 | 769 | 242 | 1 | 2/2 |
| 18 | Oliwier15_02 | 689 | 360 | 1 | 2/2 |

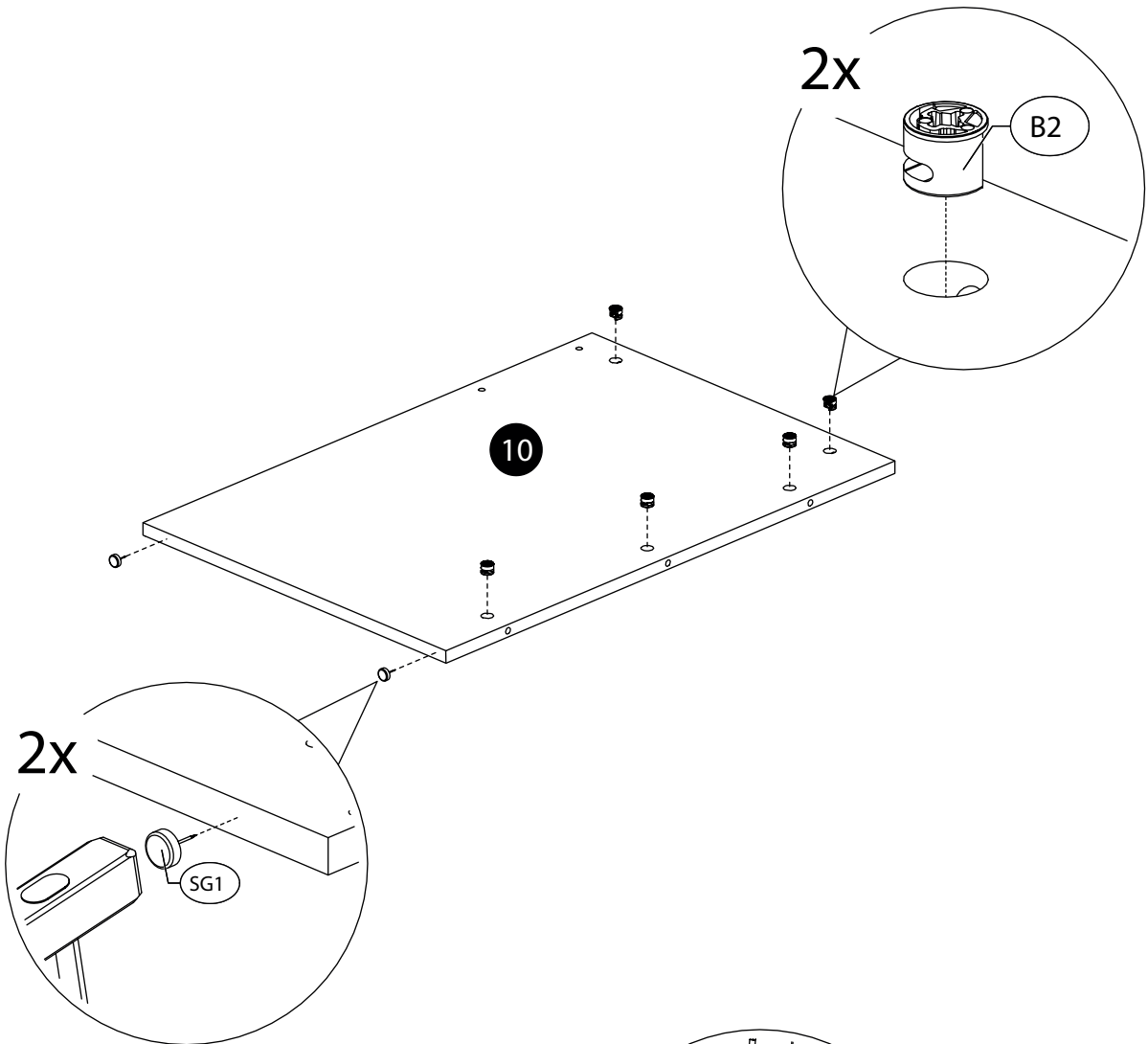




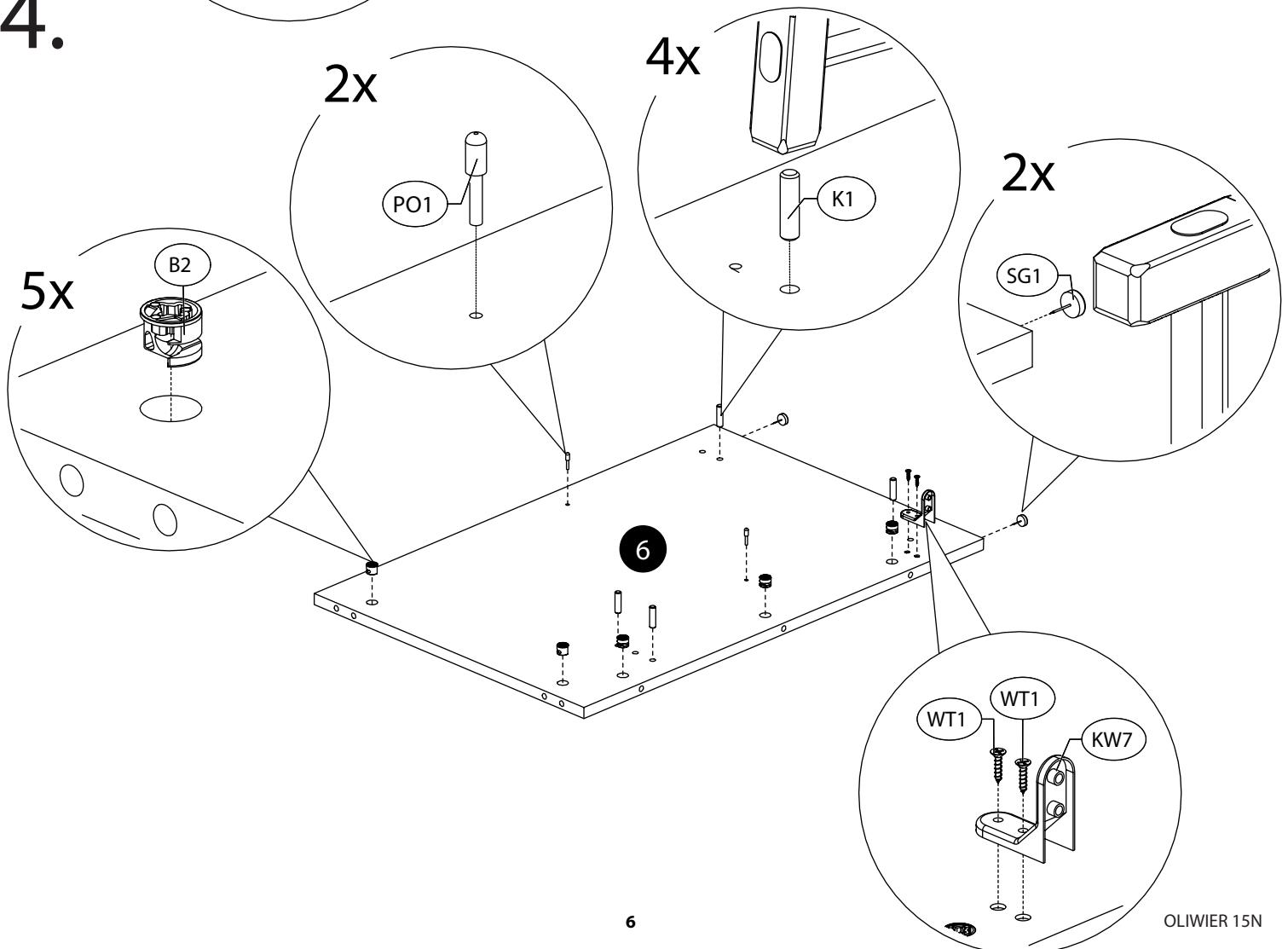
2.



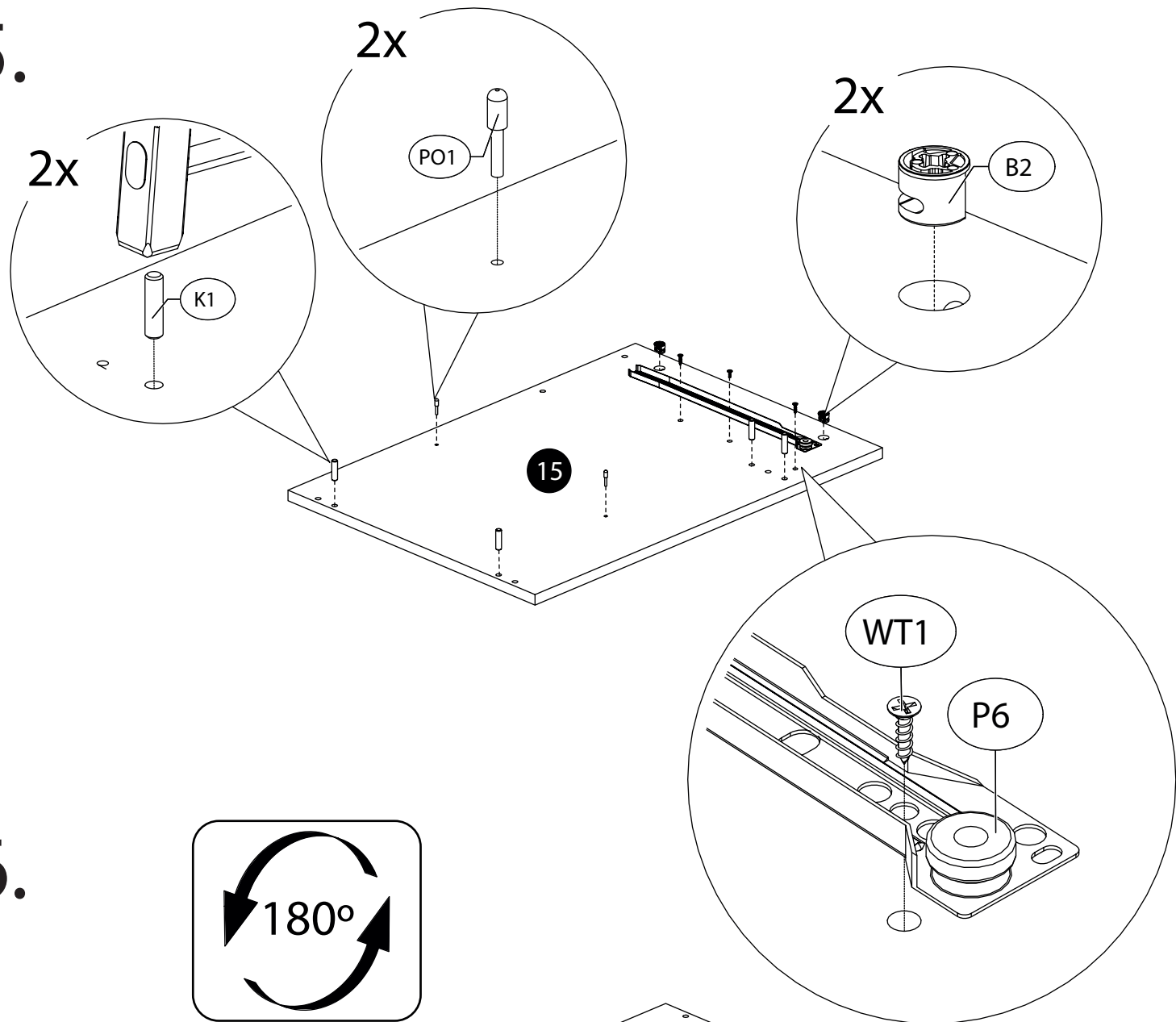
3.



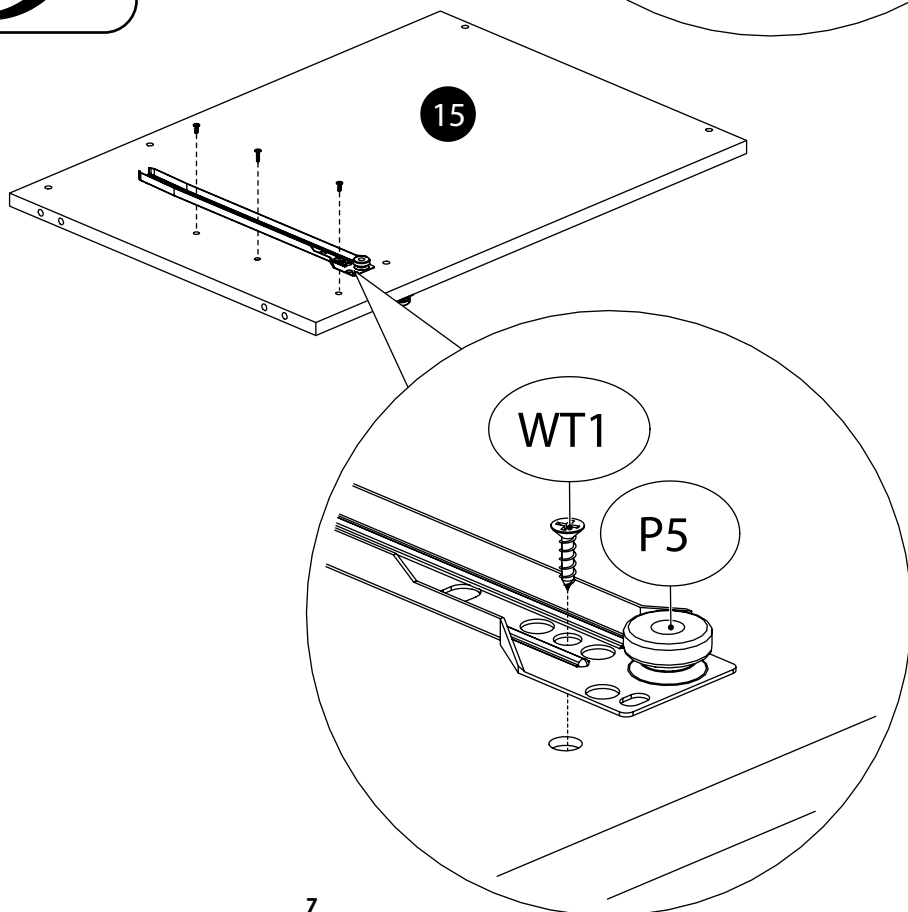
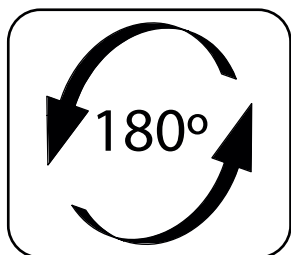
4.



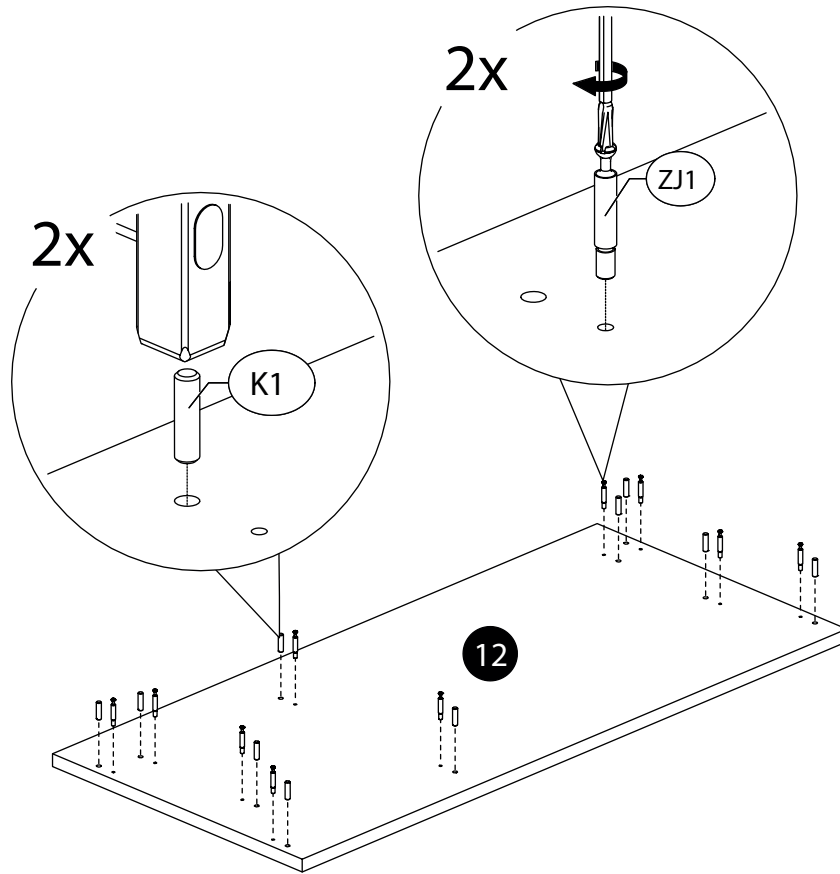
5.



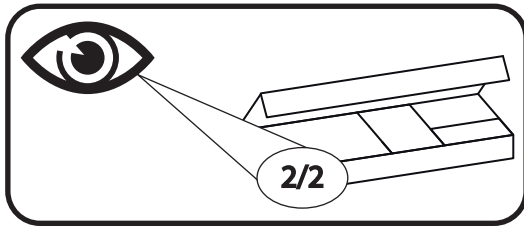
6.



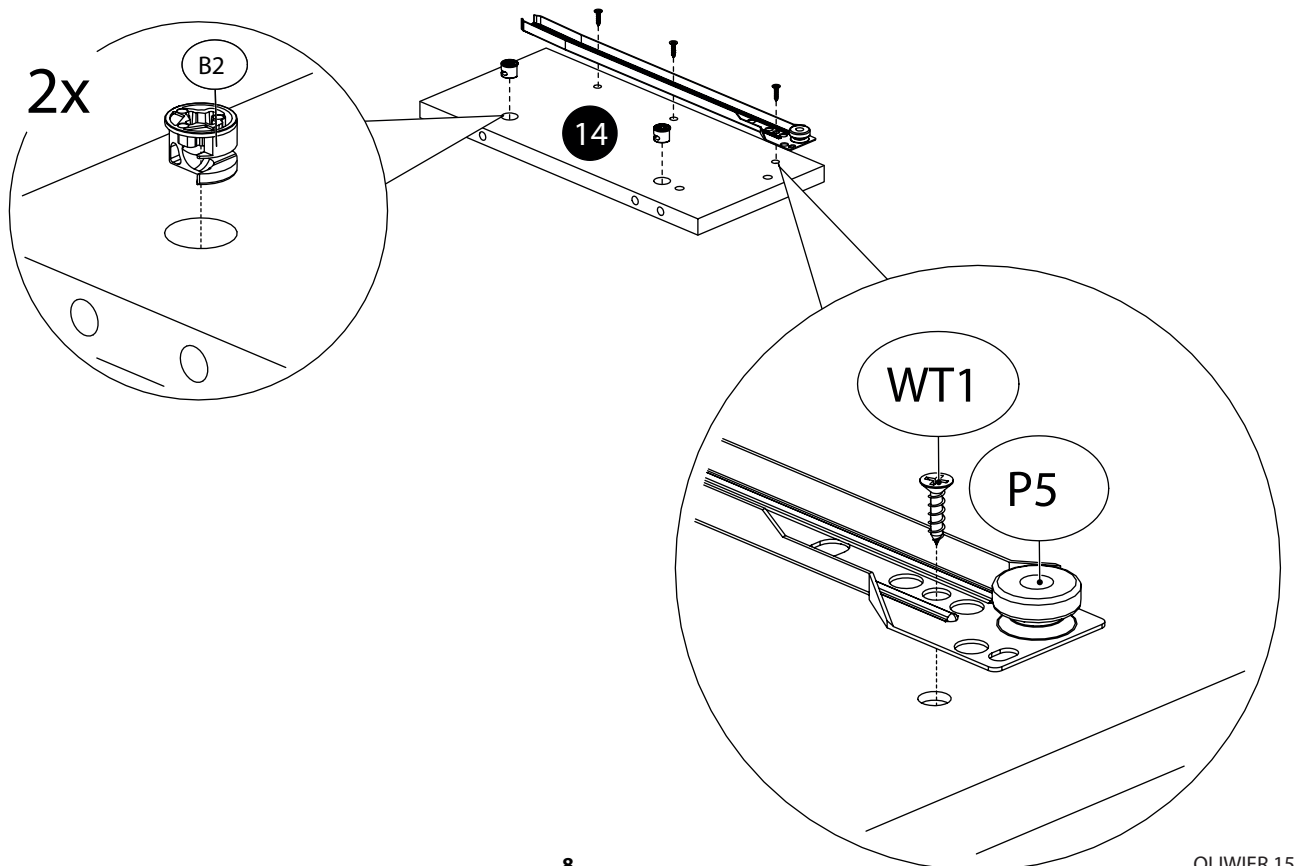
7.



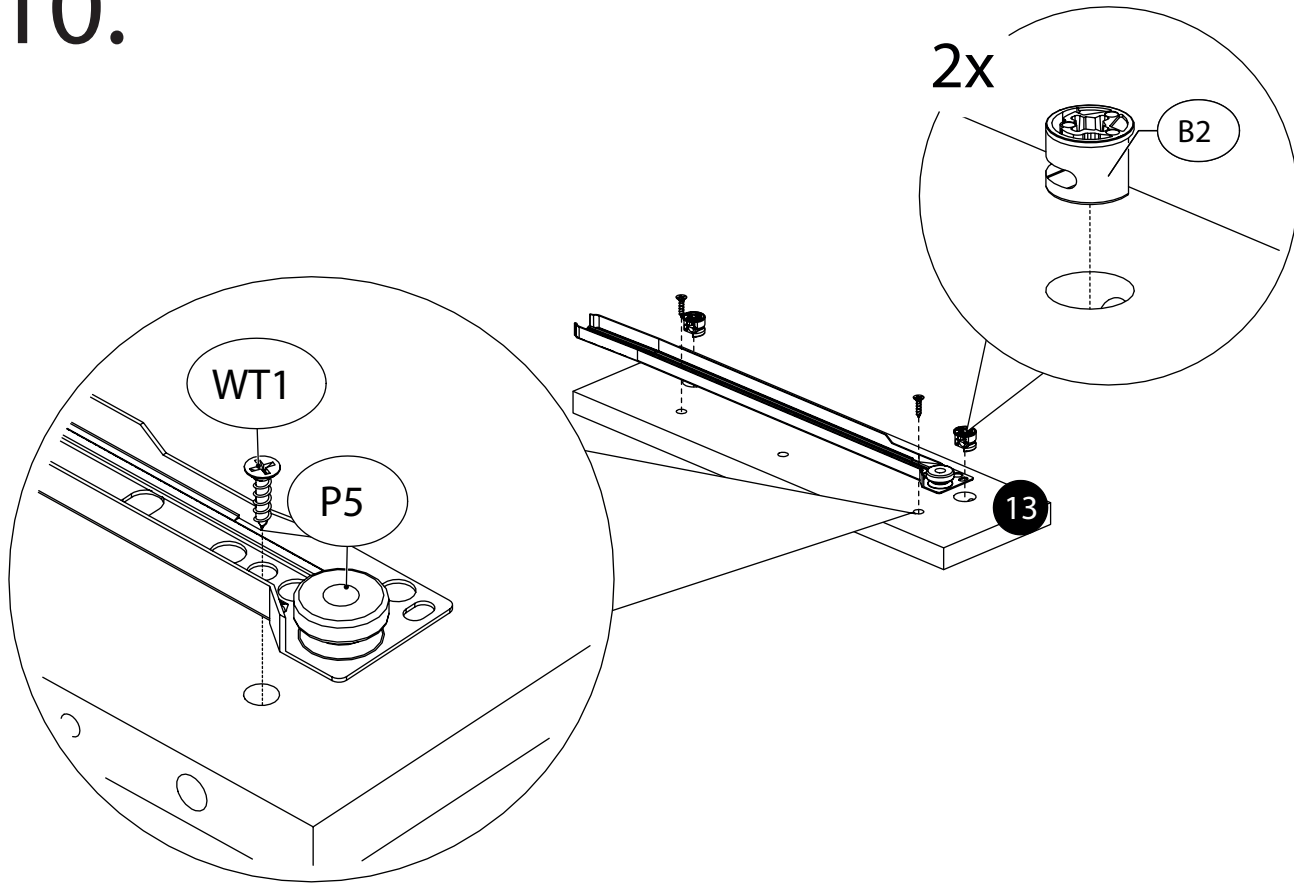
8.



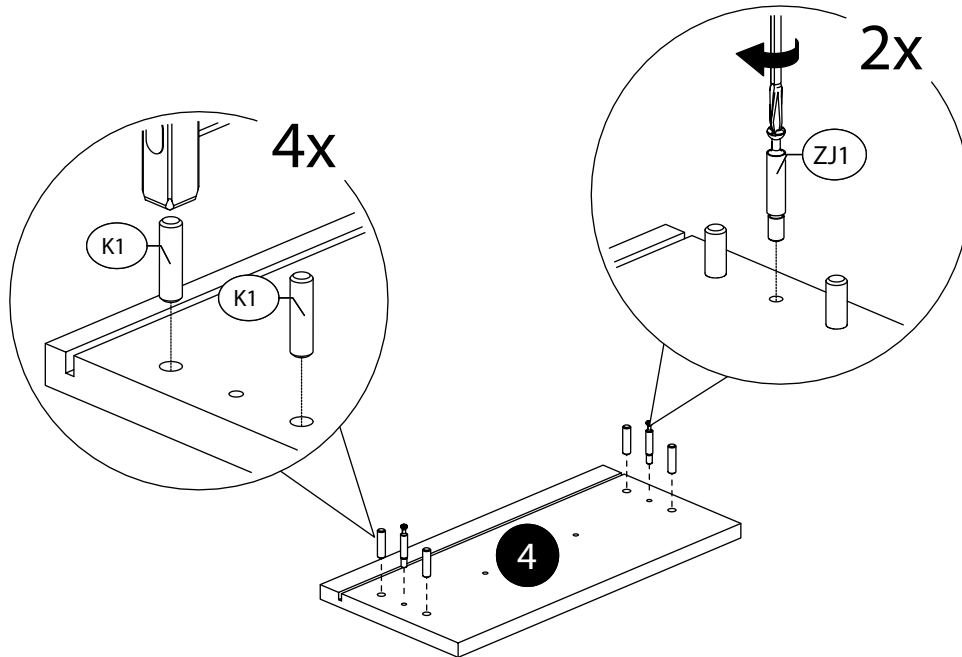
9.



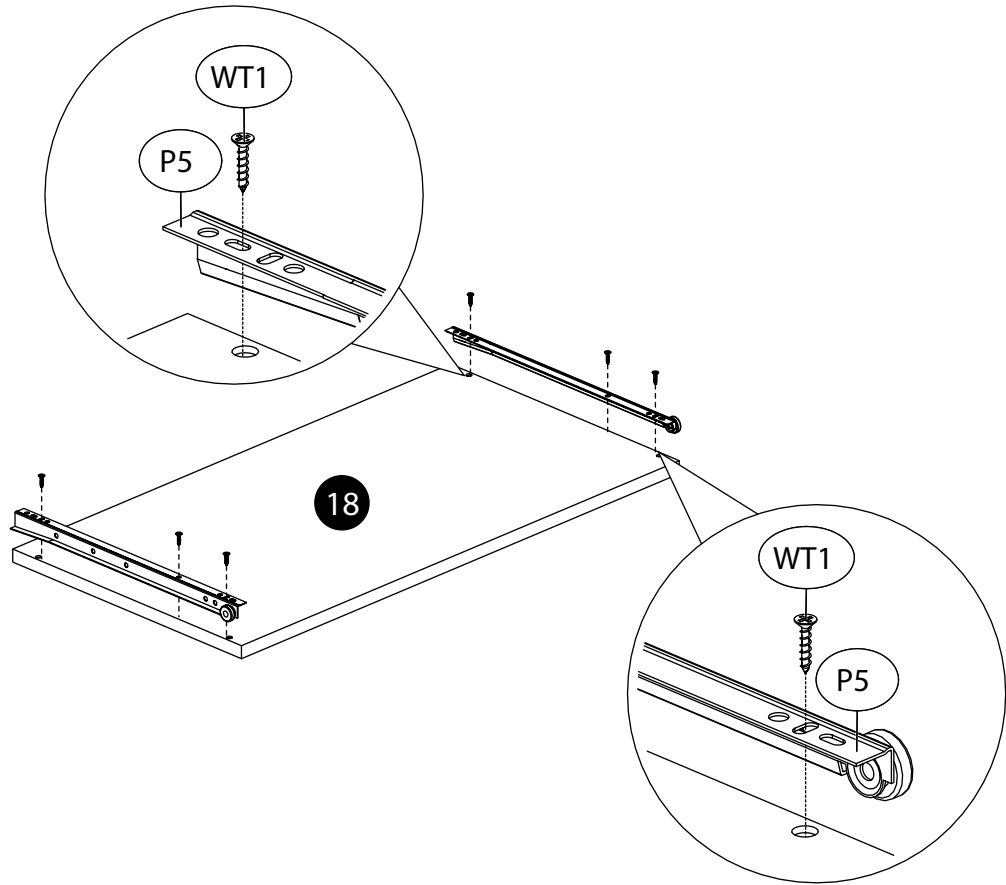
10.



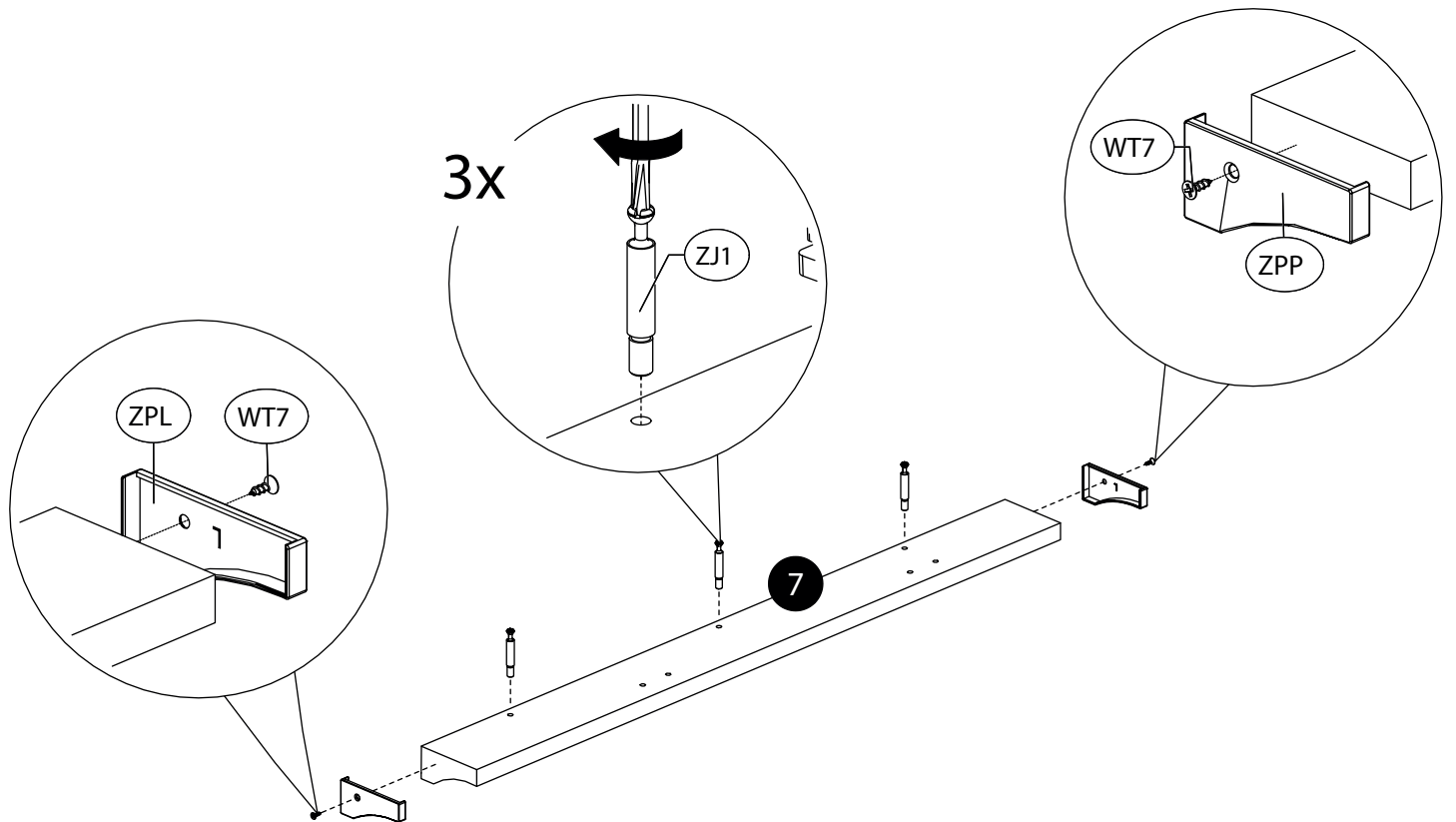
11.



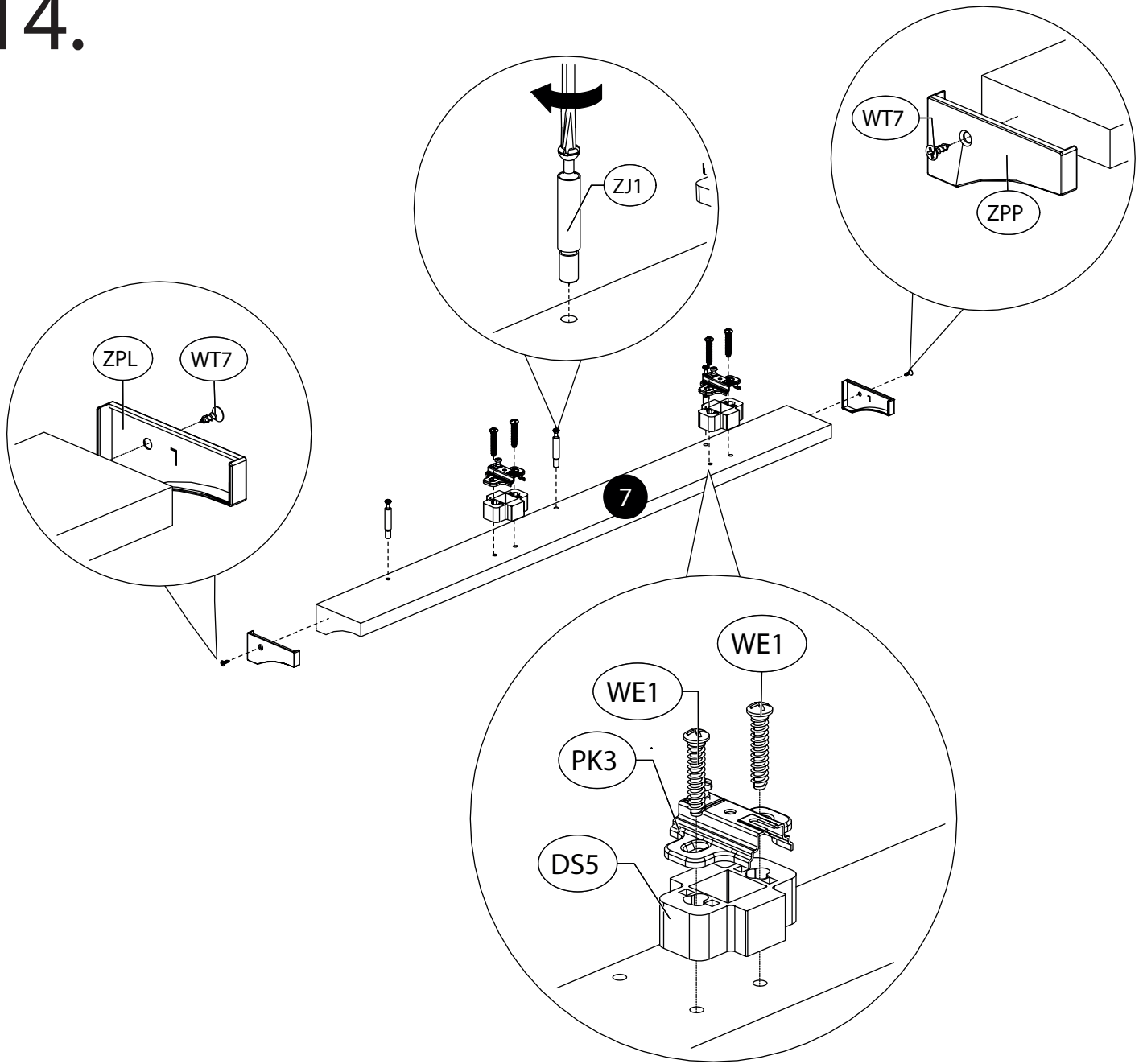
12.



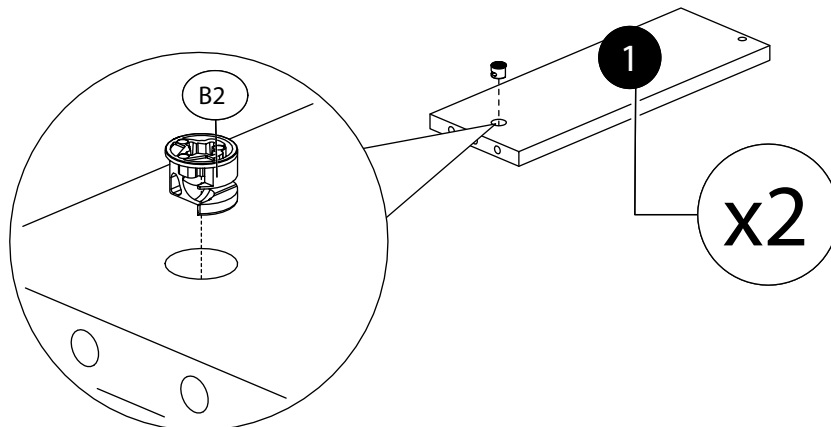
13.



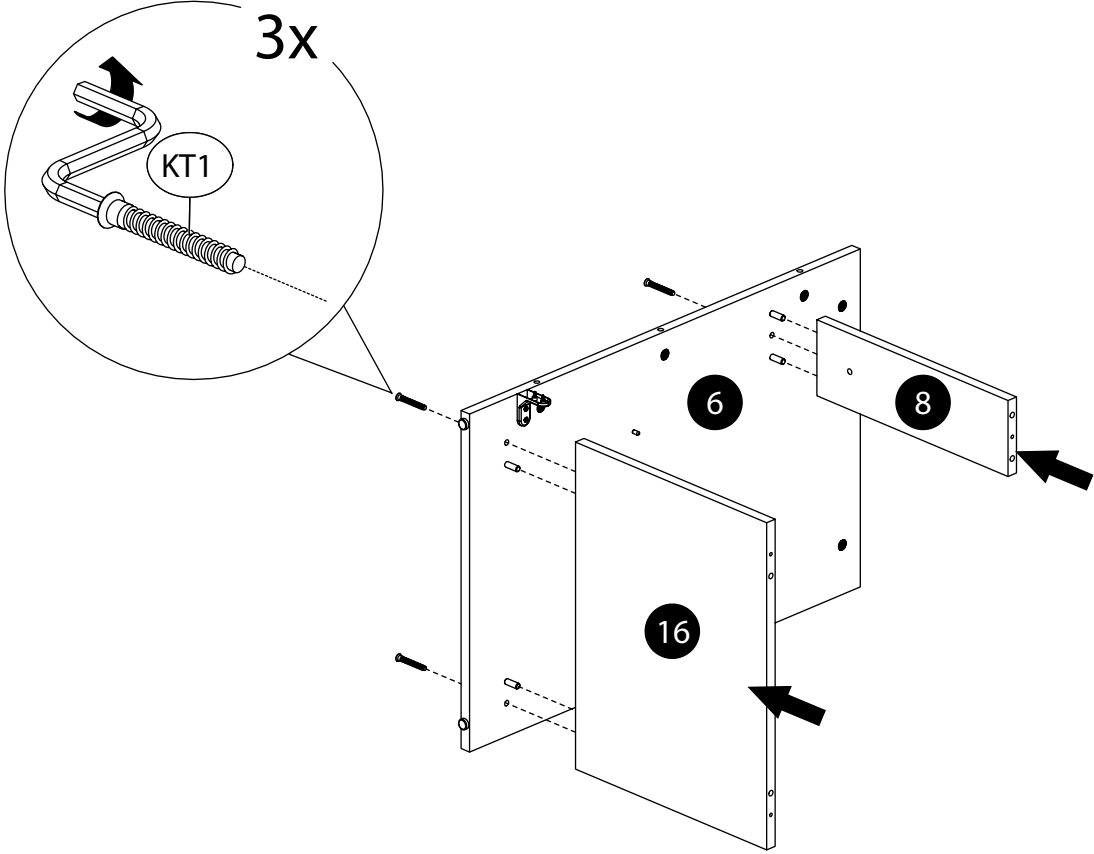
14.



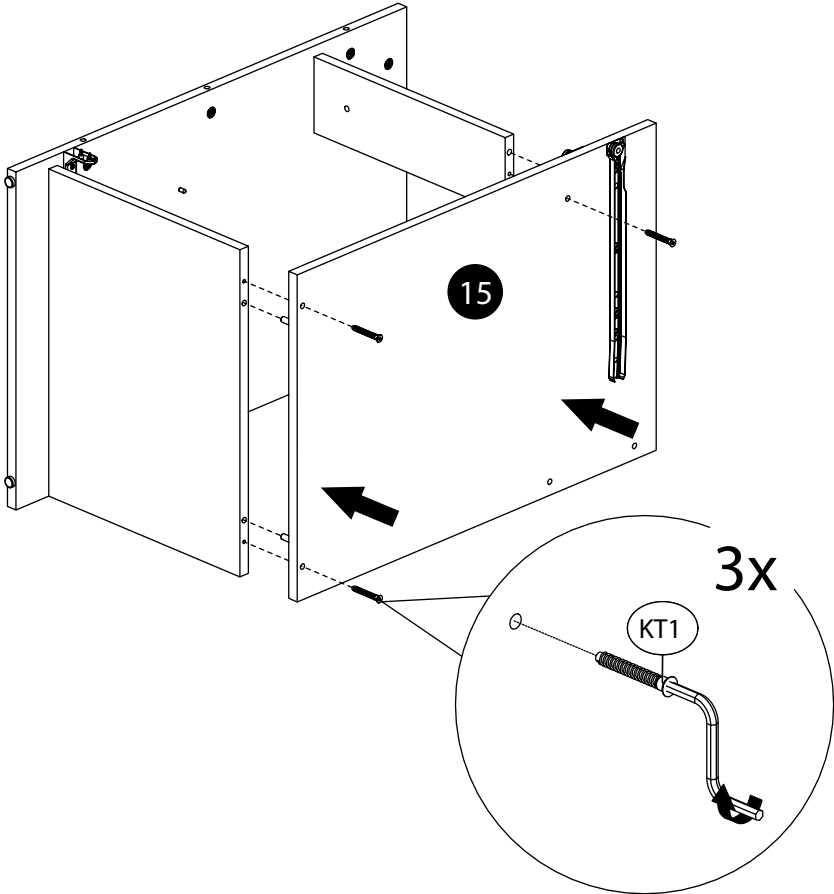
15.



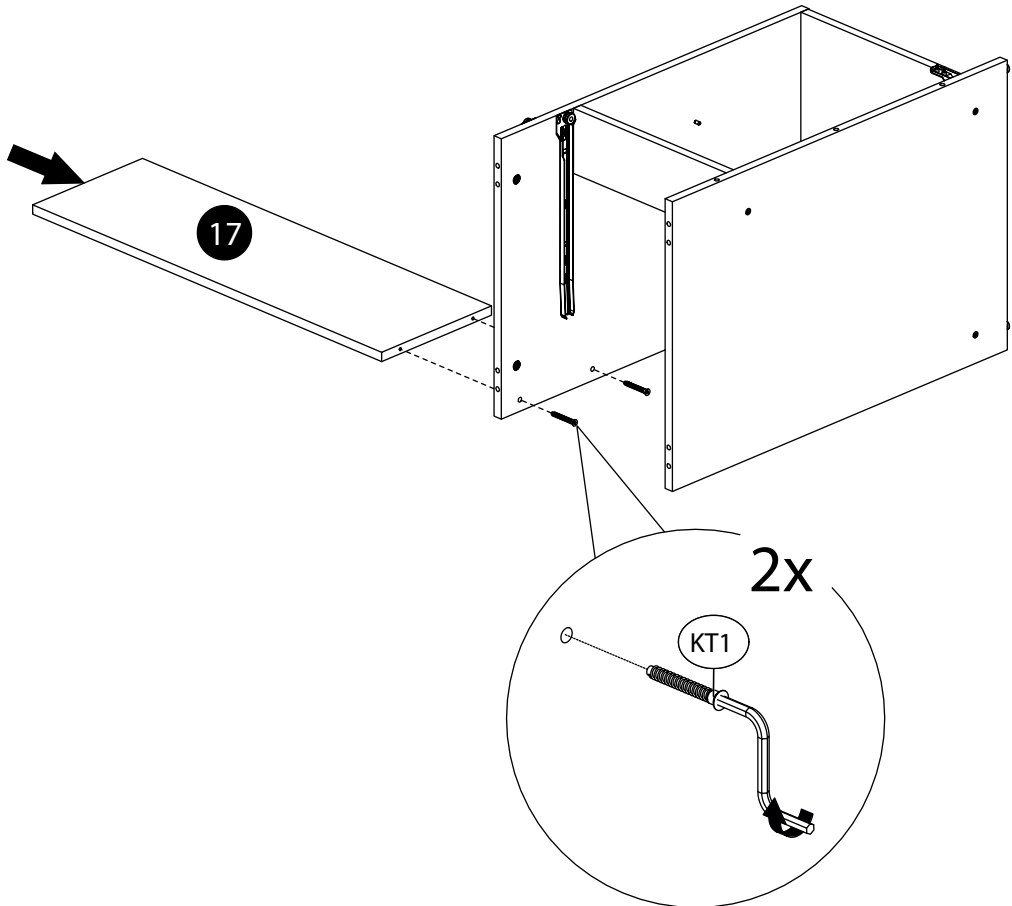
16.



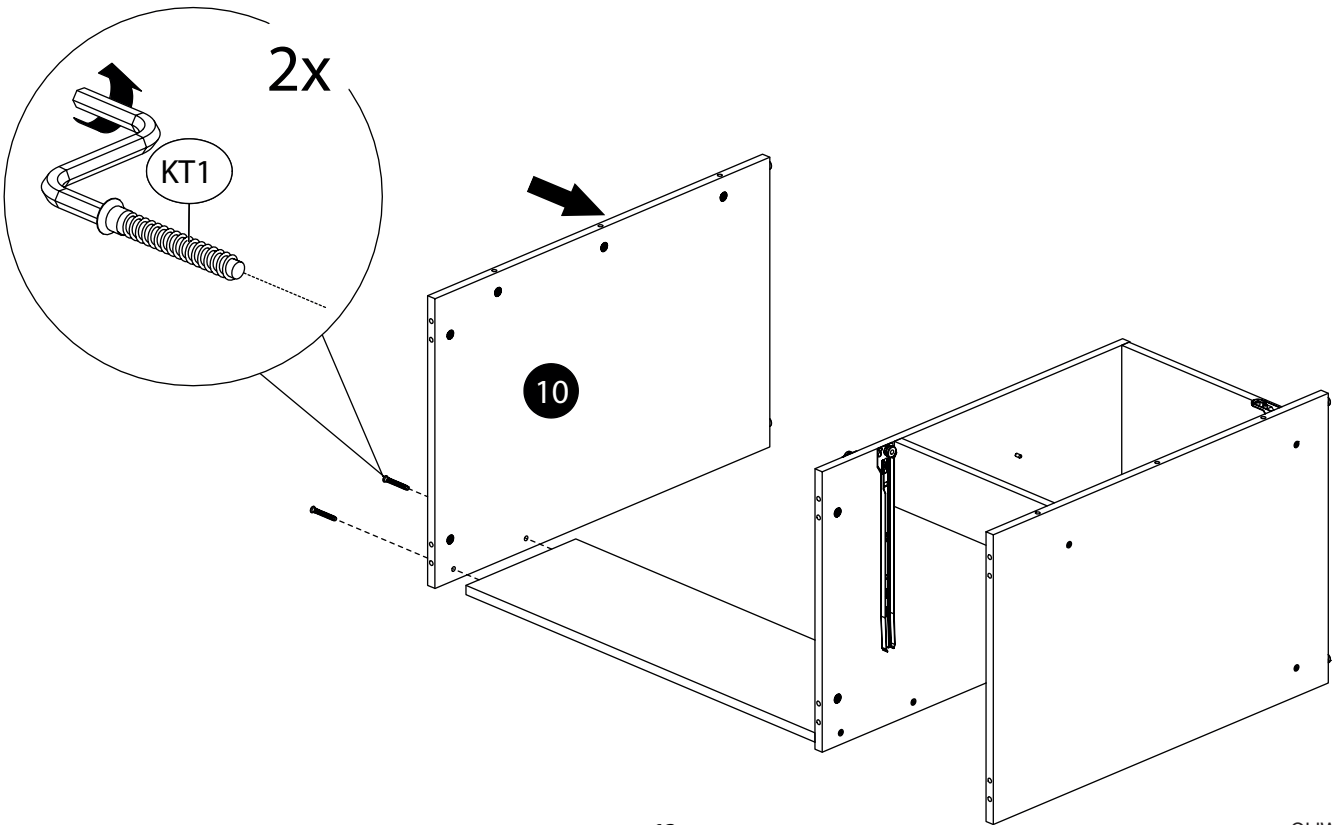
17.



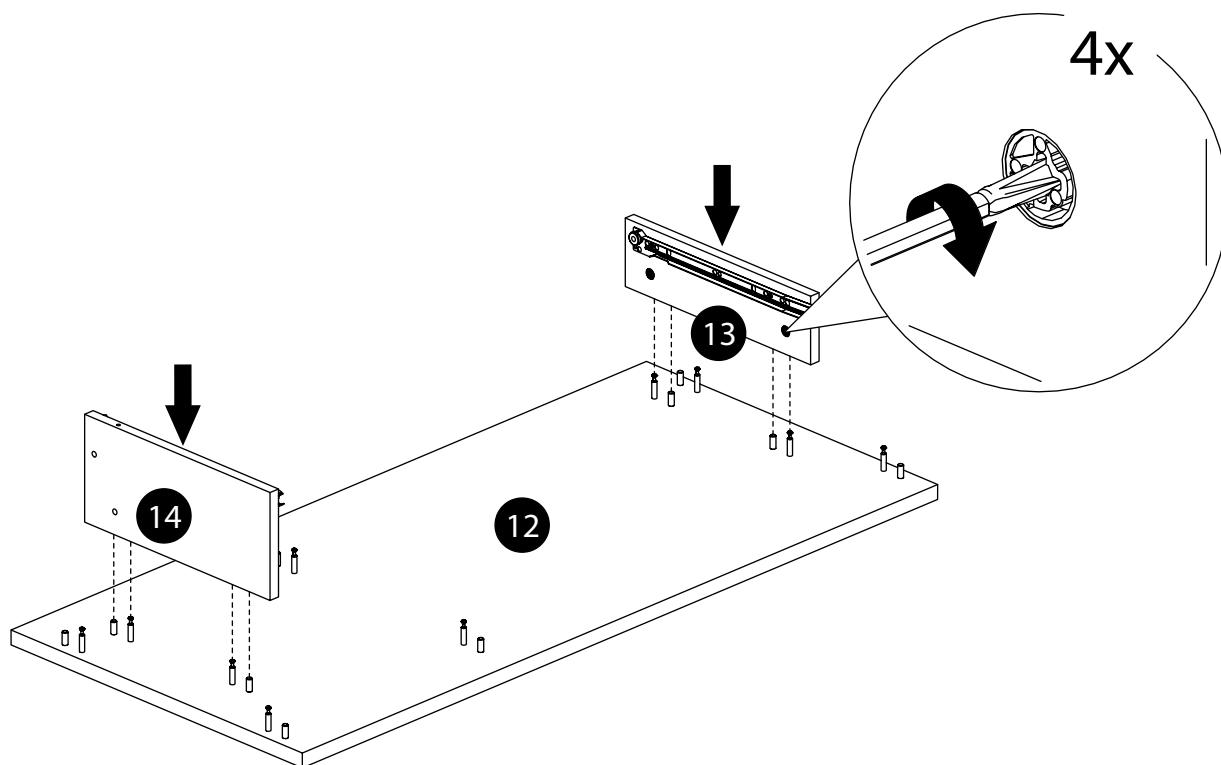
18.



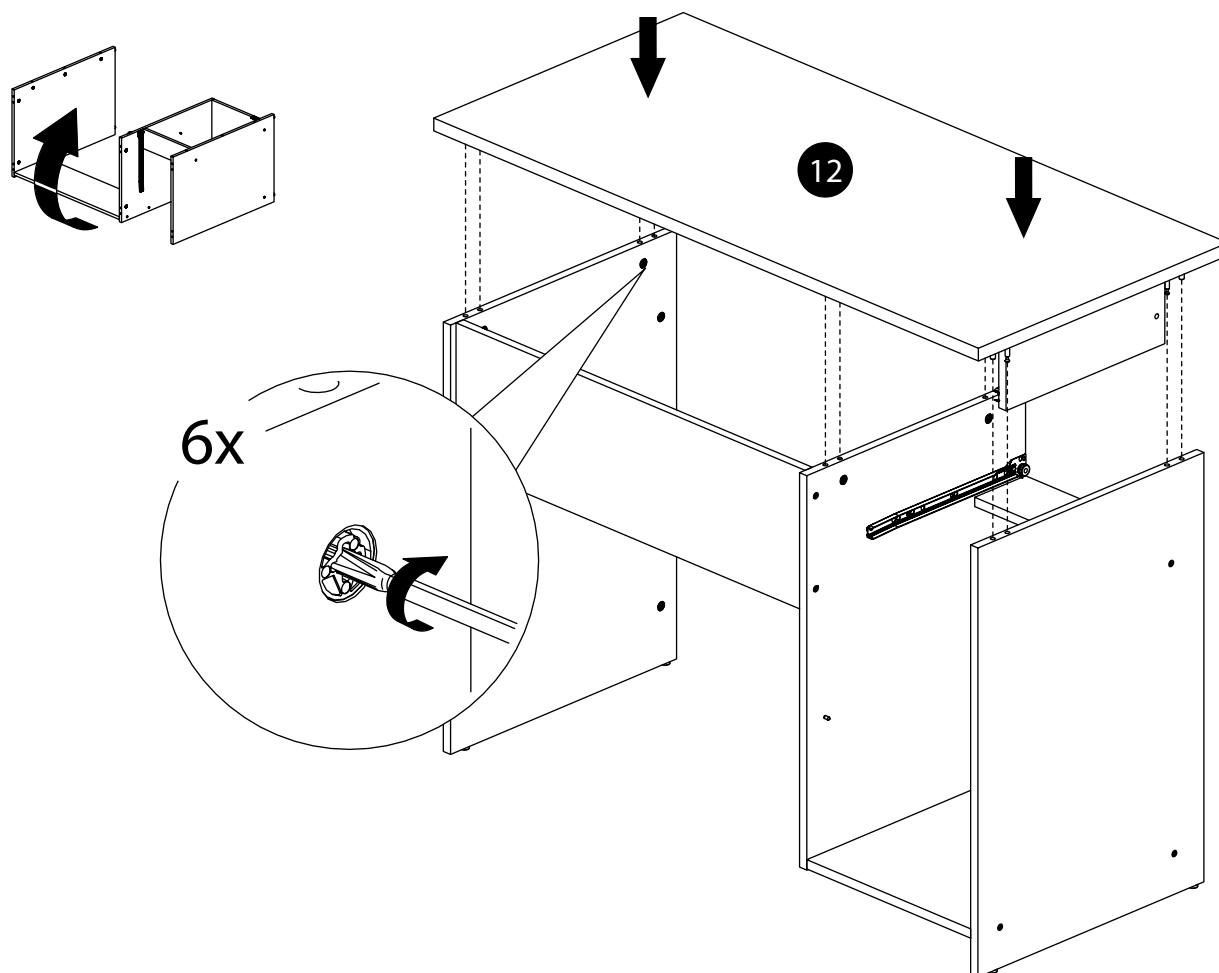
19.



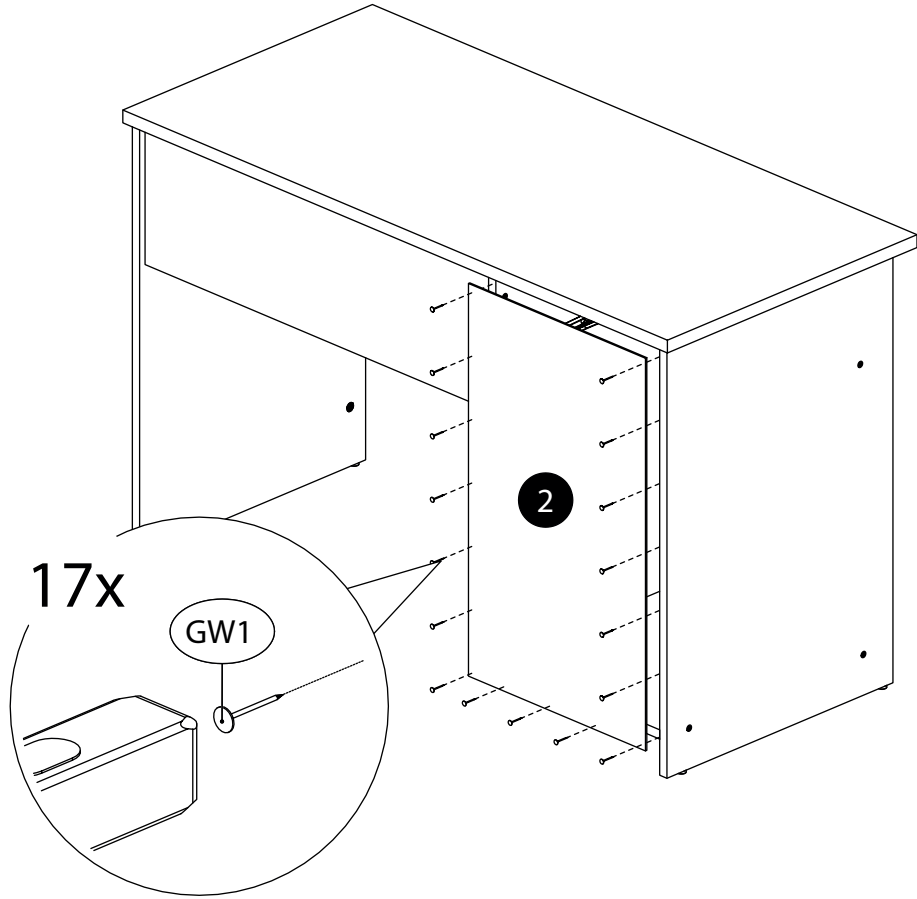
20.



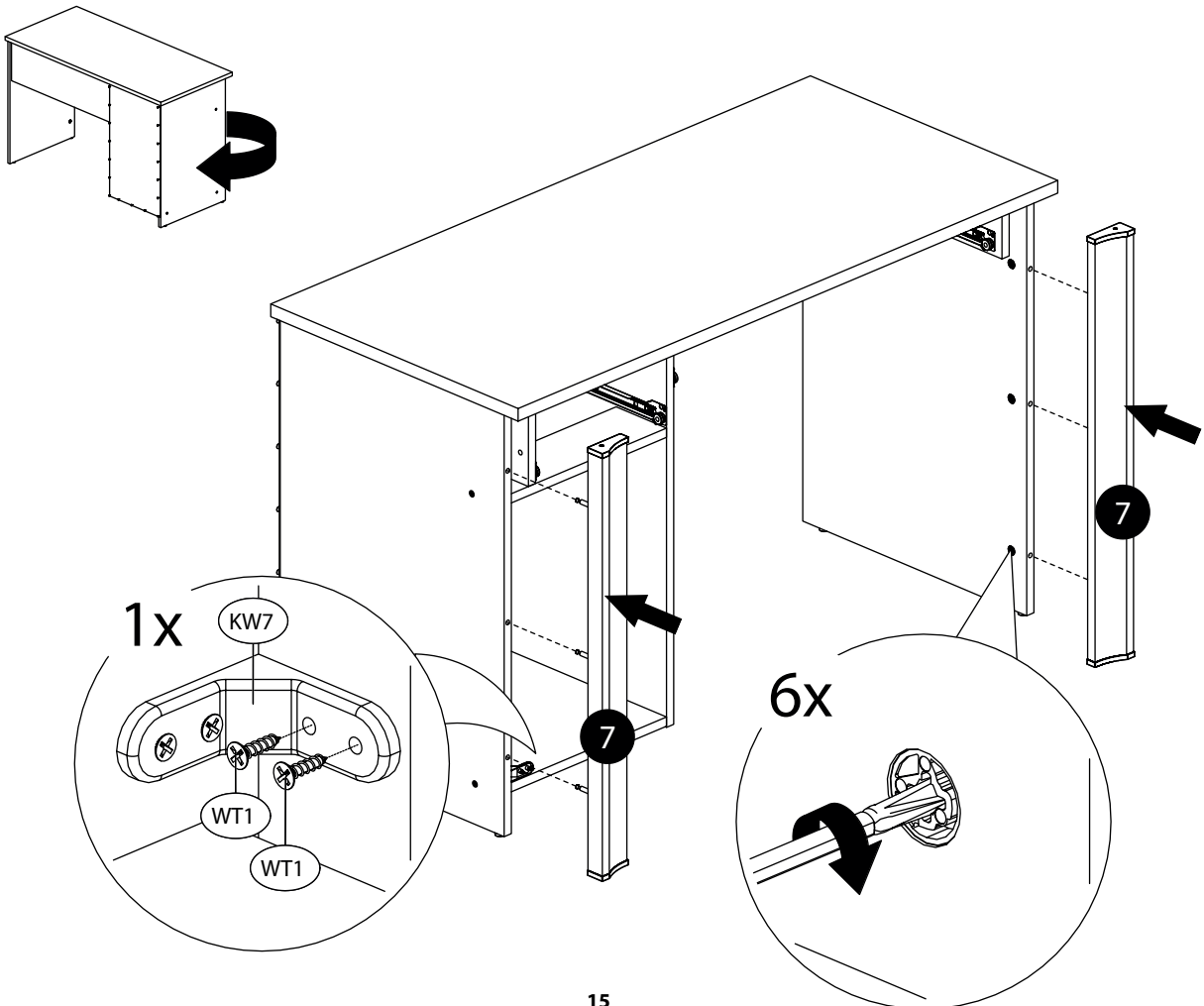
21.



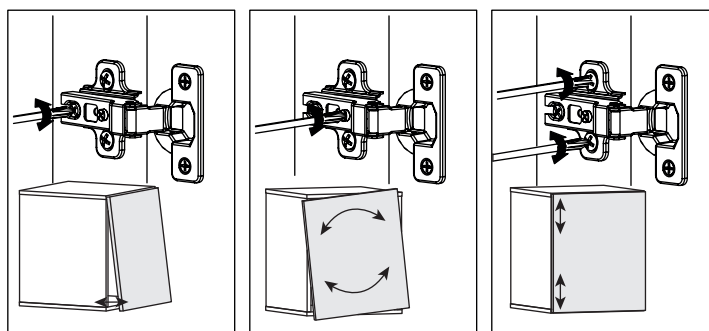
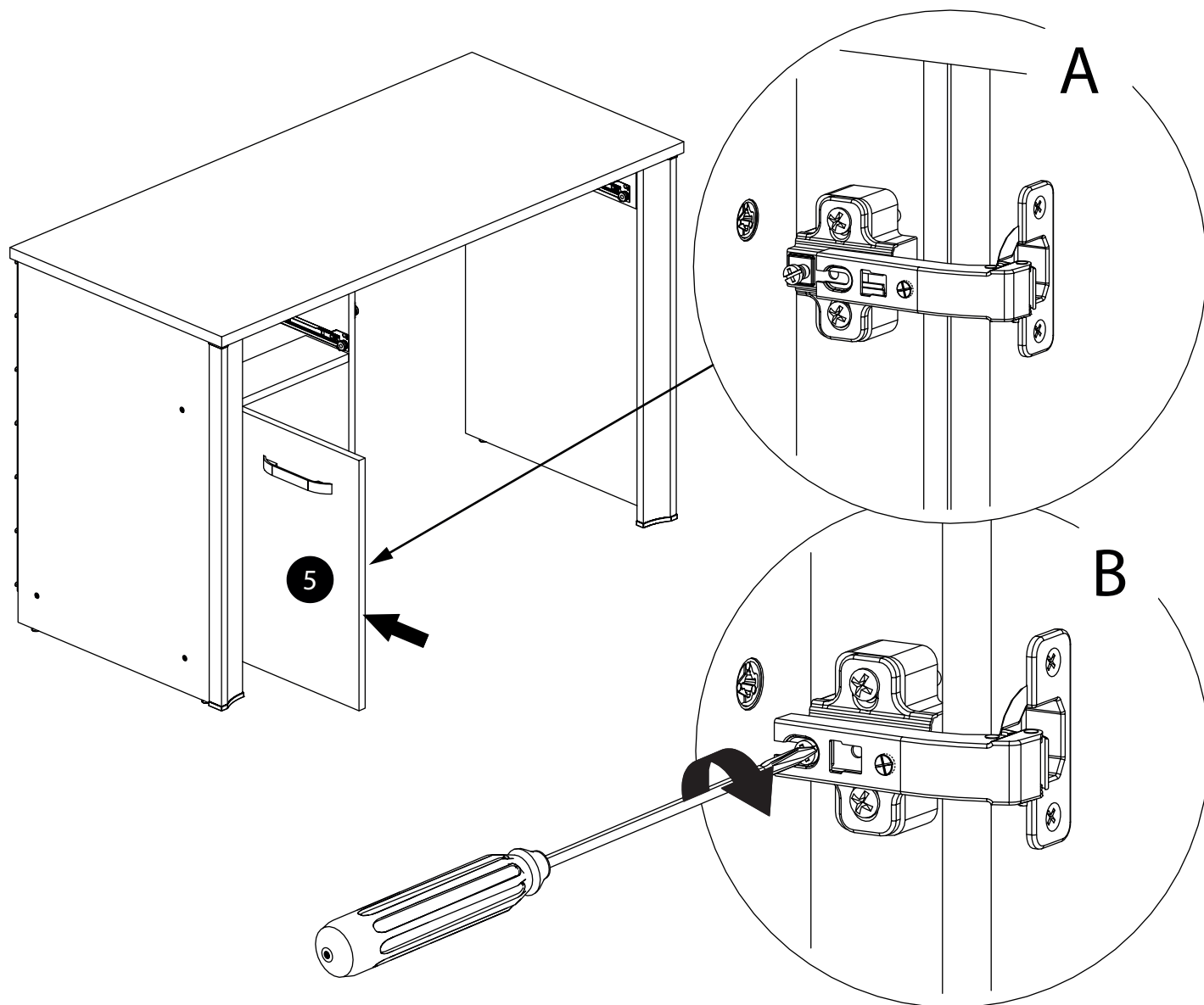
22.



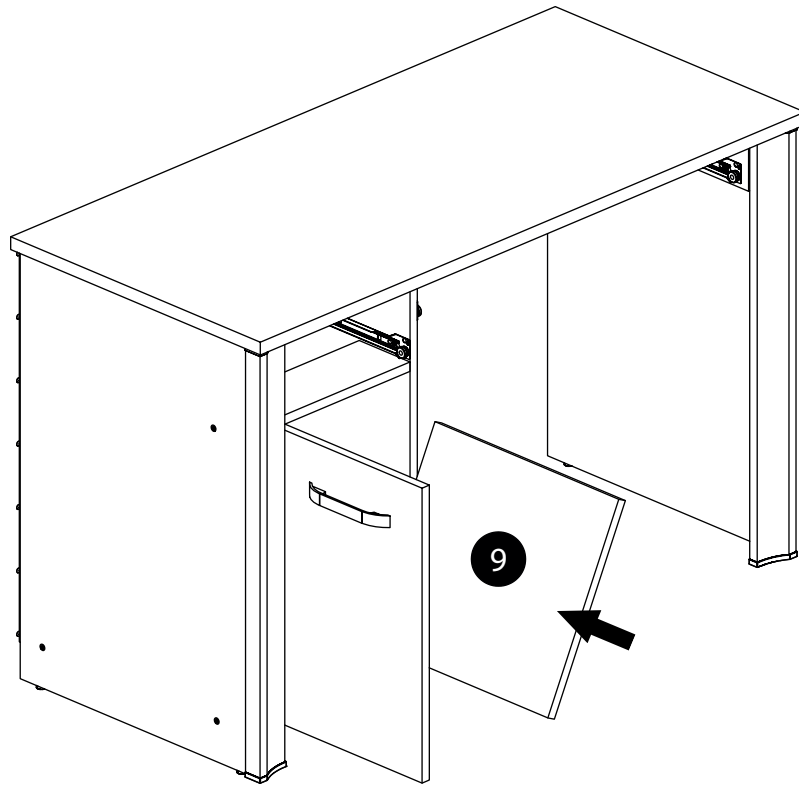
23.



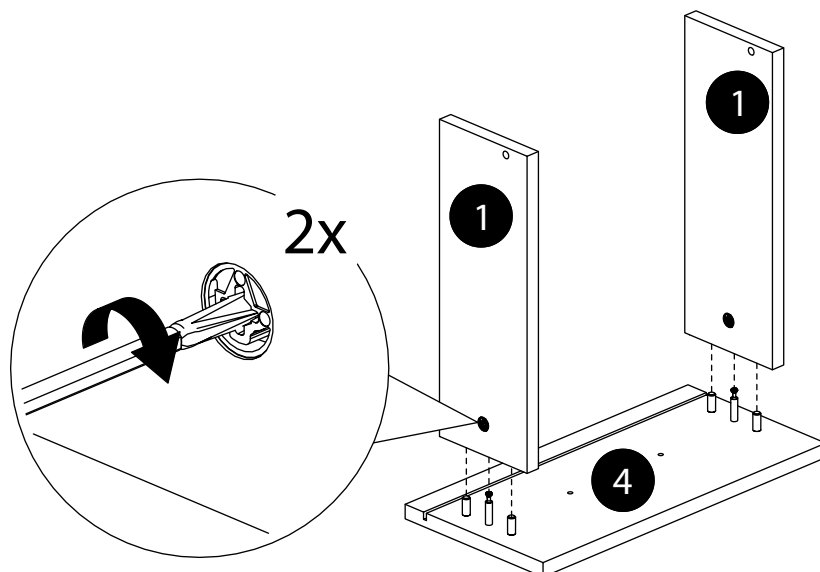
24.



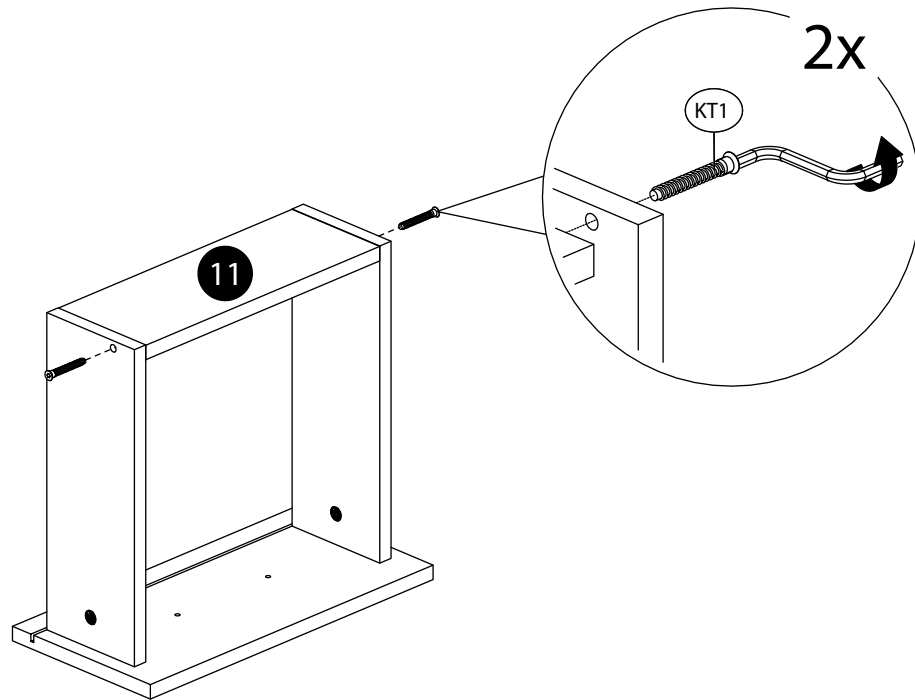
25.



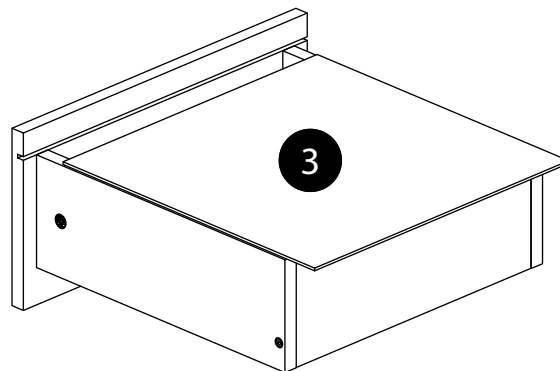
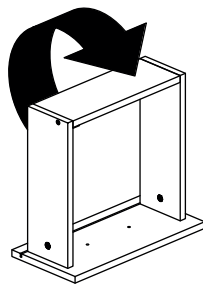
26.



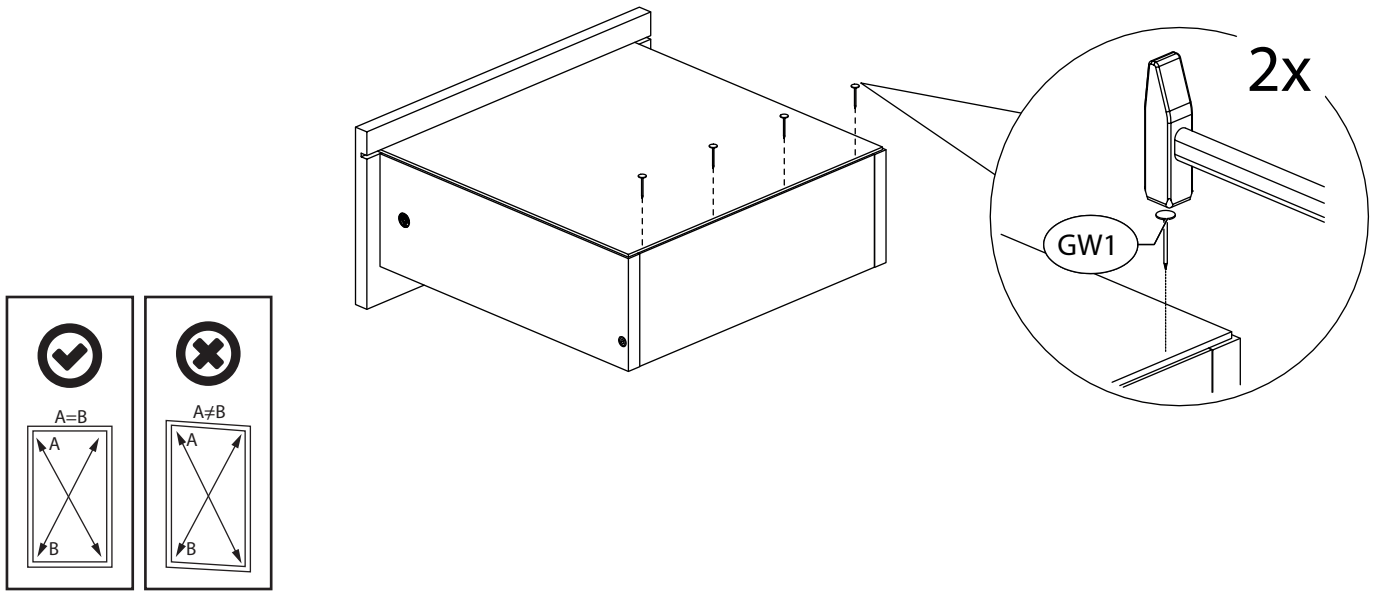
27.



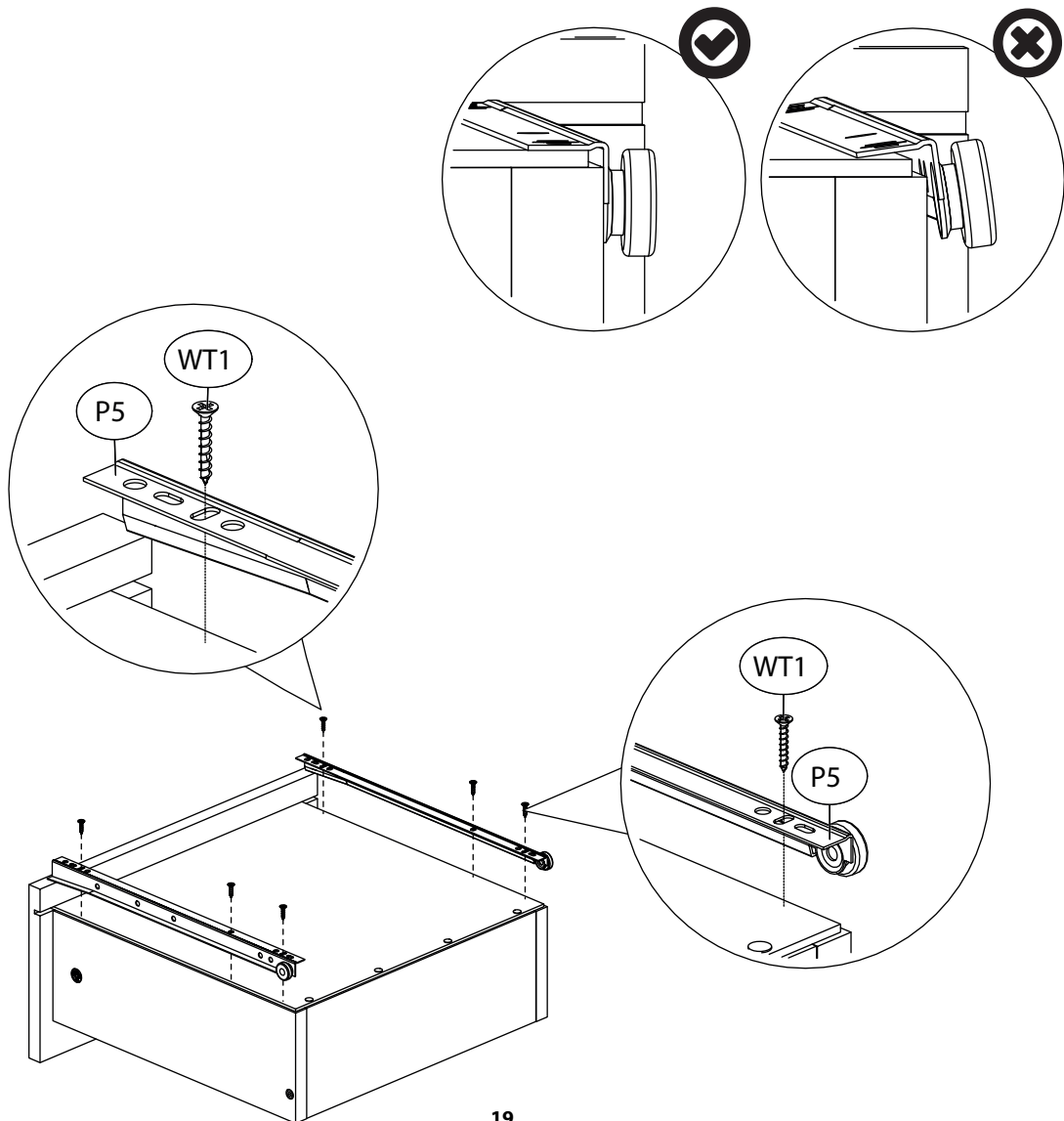
28.



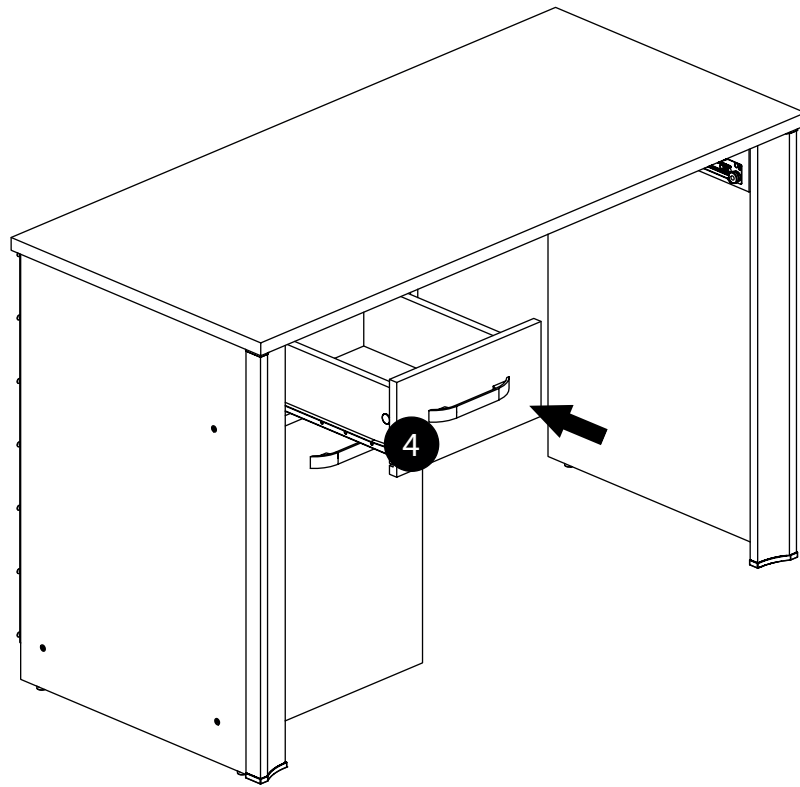
29.



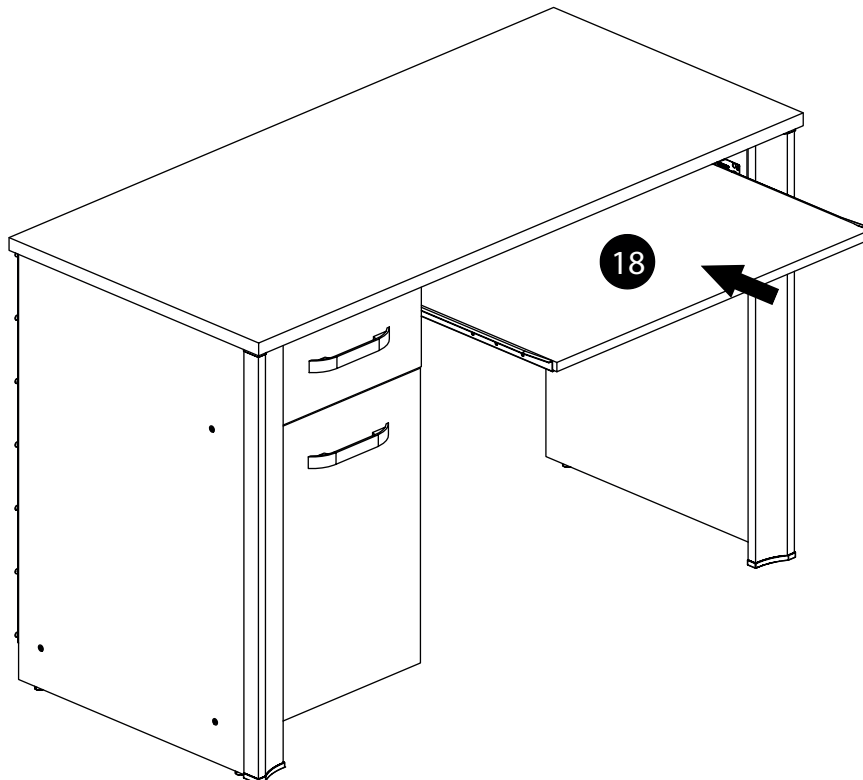
30.



31.



32.



33.

