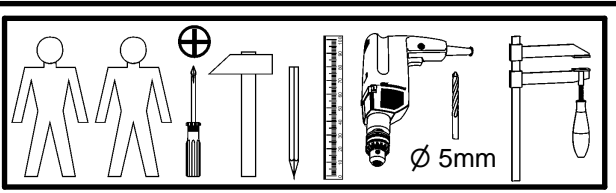
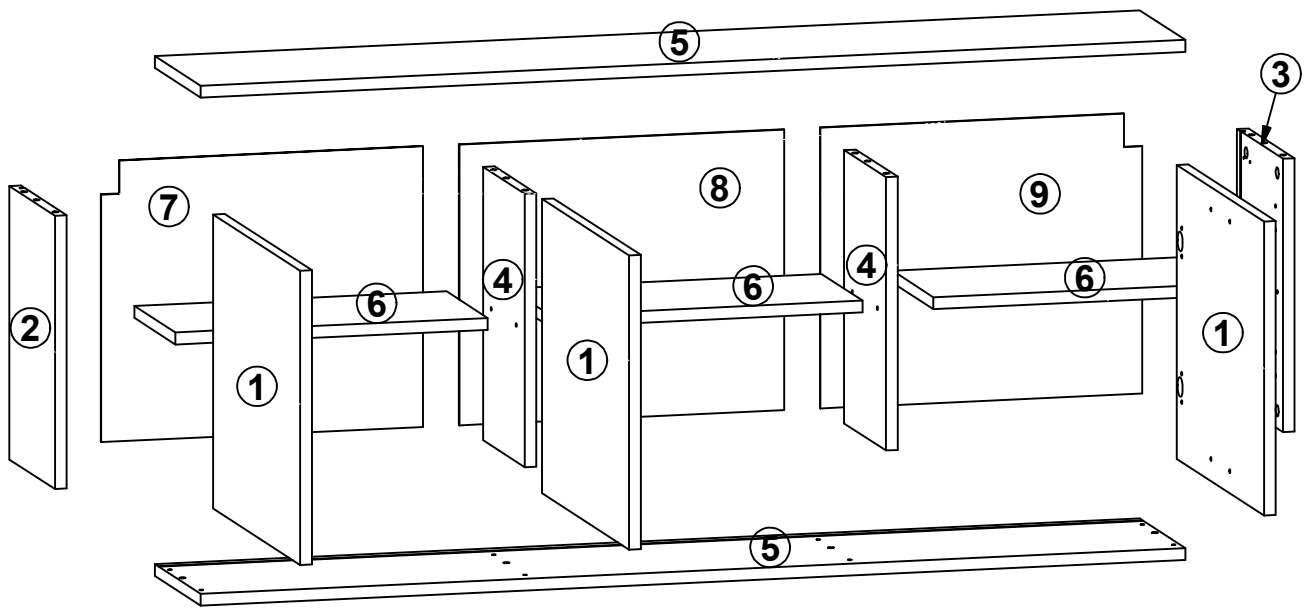
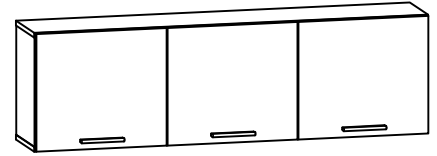
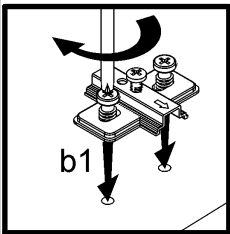
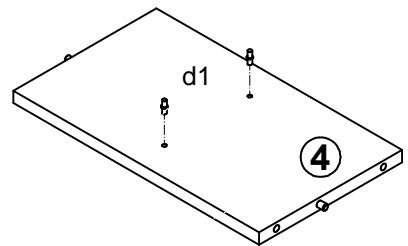
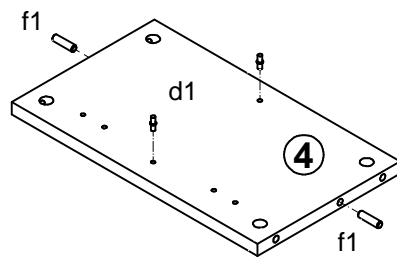
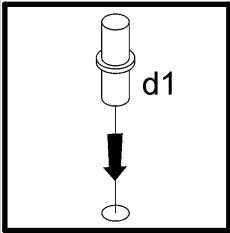
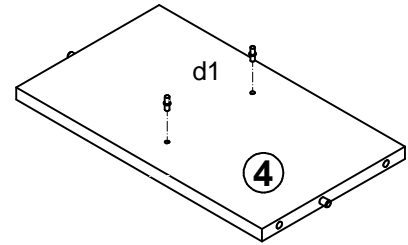
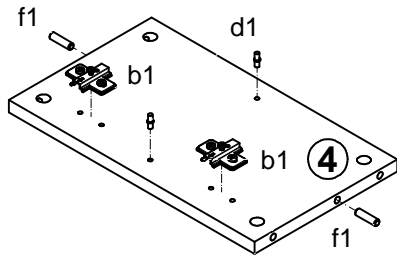
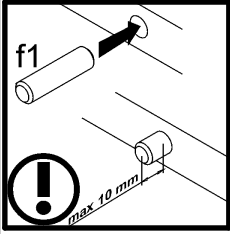
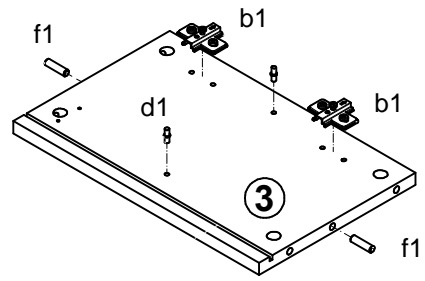
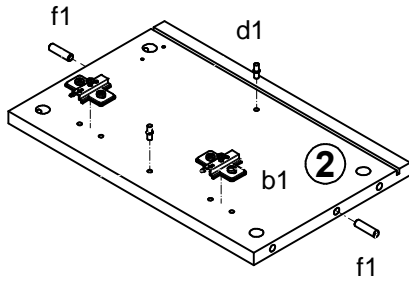


A	B	C	D	
1	S123-005	396	446	1/1
2	S123-105	368	234	1/1
3	S123-106	368	234	1/1
4	S123-107	368	214	1/1
5	S123-204	1350	234	1/1
6	S123-302	428	210	1/1
7	S123-904	378	441	1/1
8	S123-905	378	445	1/1
9	S123-906	378	441	1/1

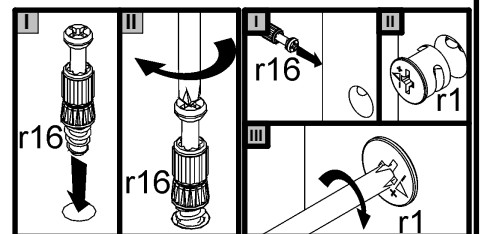
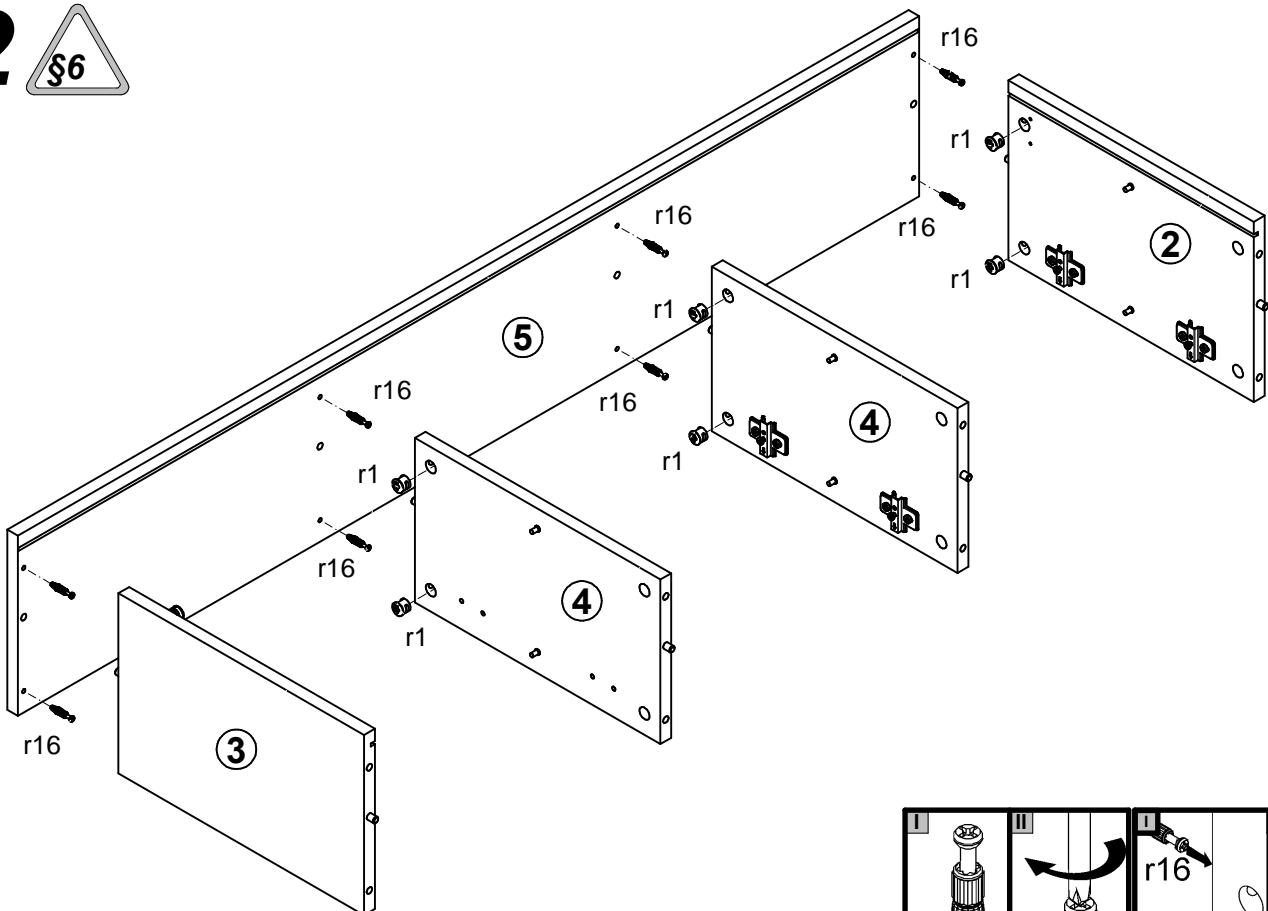


4x a2	2x a54	6x b1	3x c235	12x d1	8x f1	2x f35	16x l1	8x l2
1x n38L	1x n38P	4x p21	2x p75	6x p9	16x r1	16x r16	14x s2	

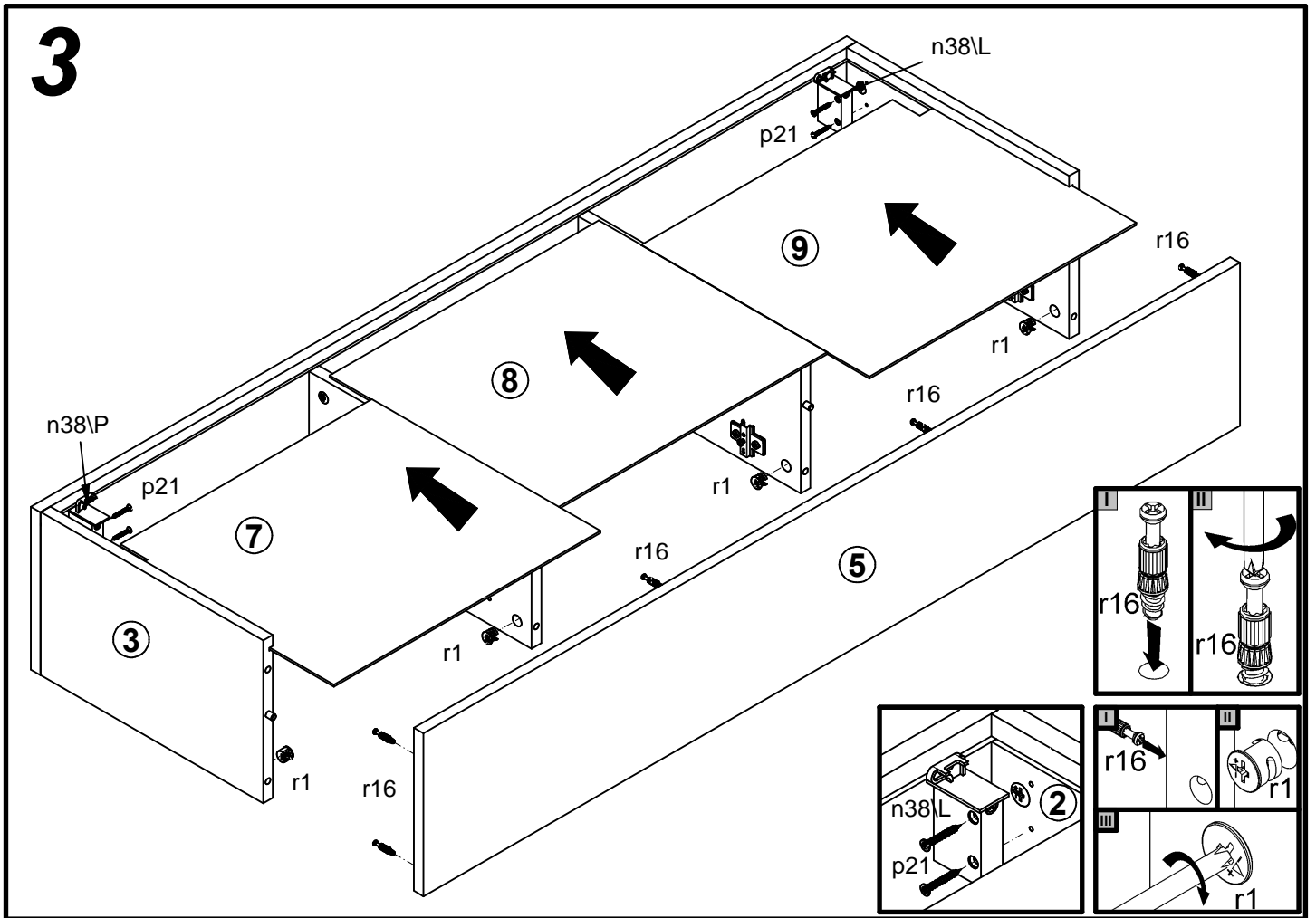
1



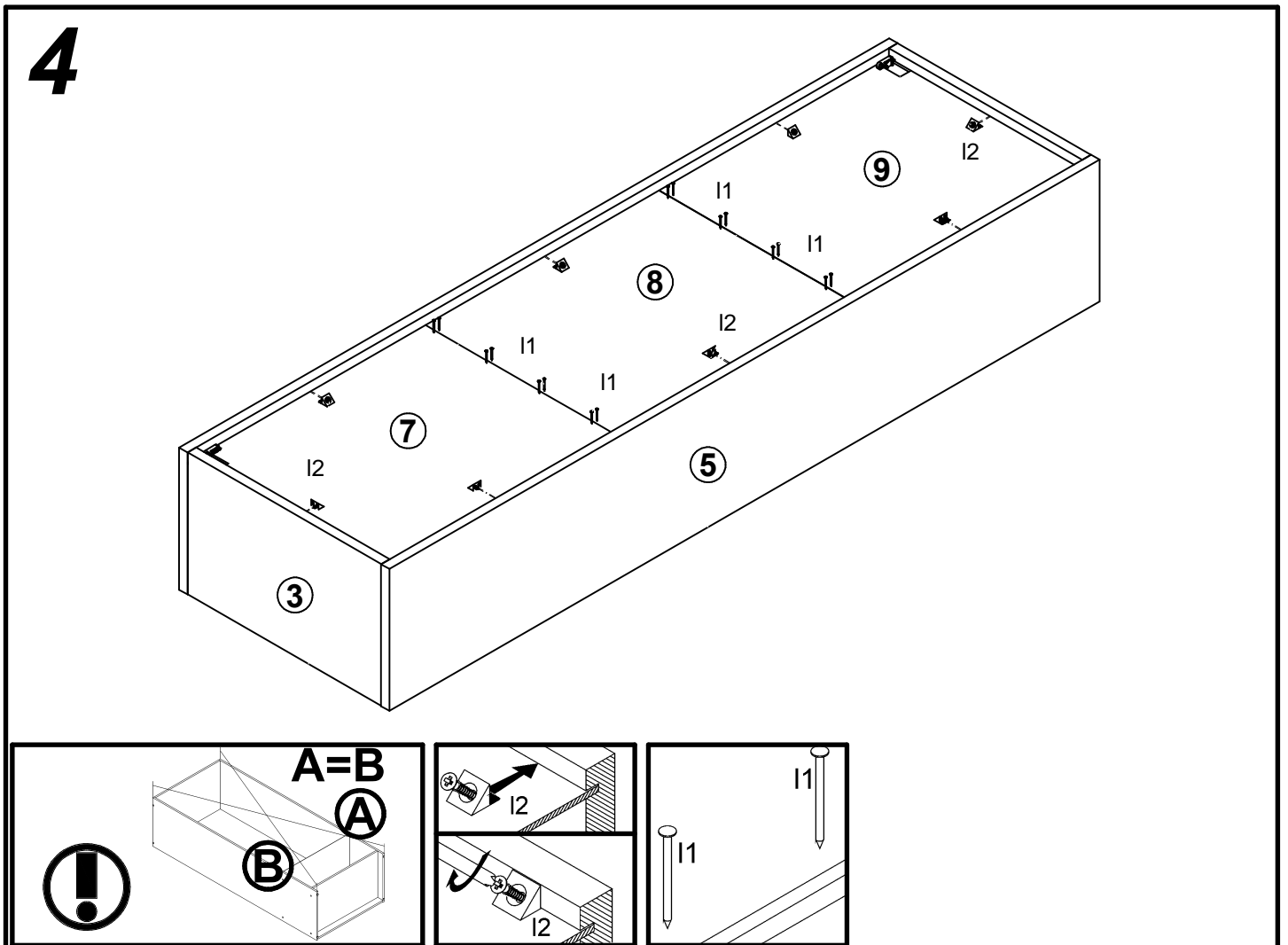
2



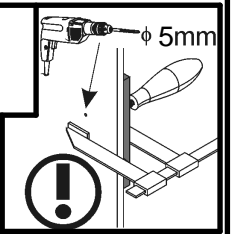
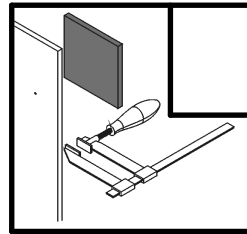
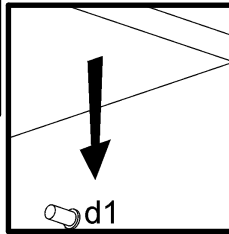
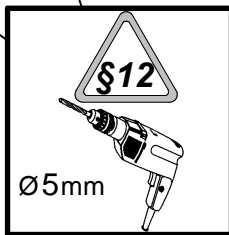
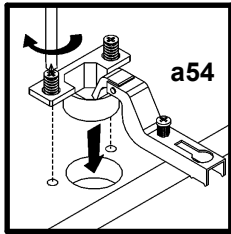
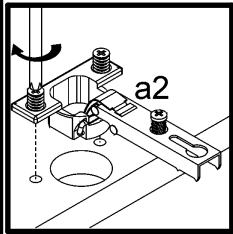
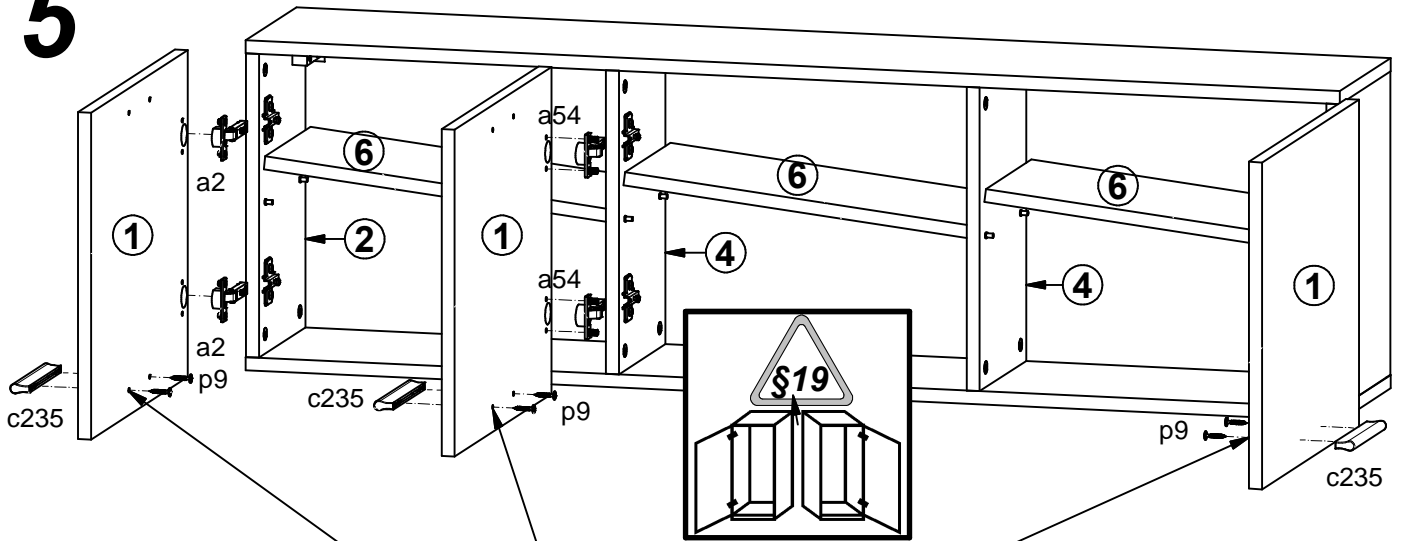
3



4



5



6

