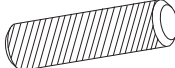
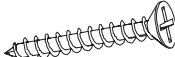
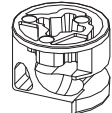
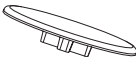



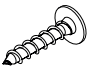

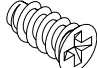


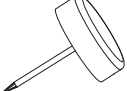

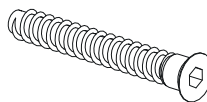
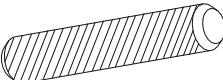


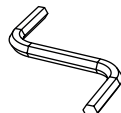
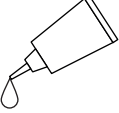
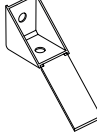
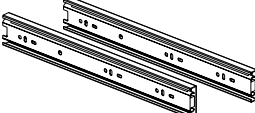
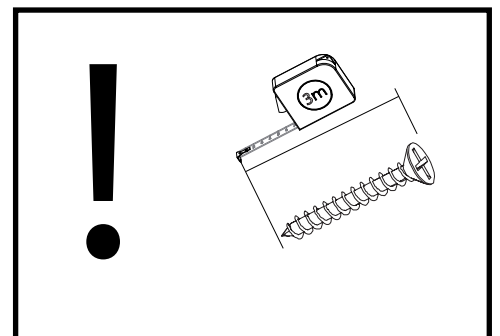


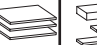




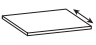
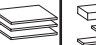

BALTICA 12

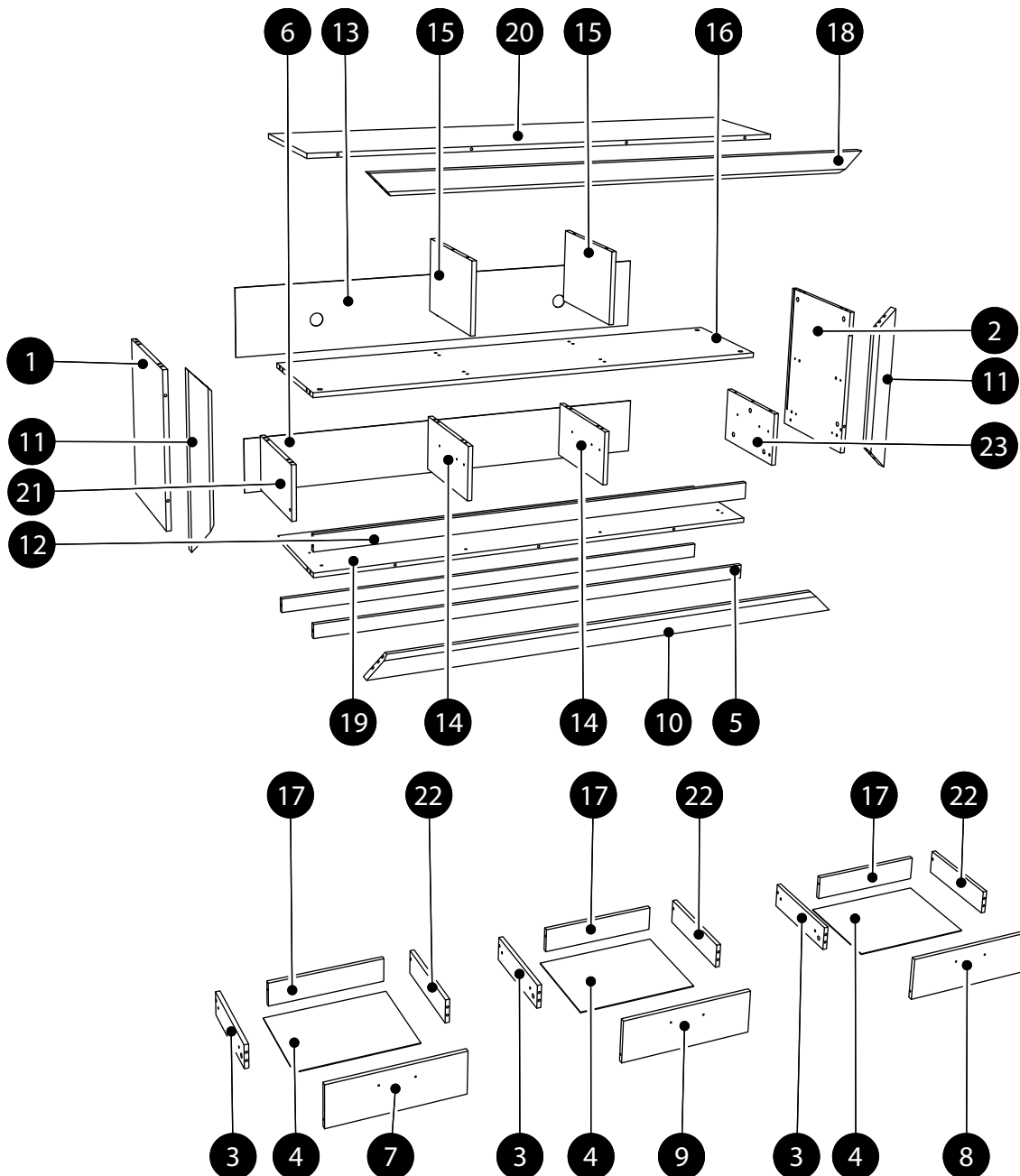
<p>K1 x 48 8x32</p> 	<p>WT18 x 6 4x30</p> 	<p>B2 x 55 h-12</p> 
<p>ZM1 x 16 Ø18</p> 	<p>WT1 x 4 3,5x15</p> 	<p>ZD1 x 4 L68</p> 
<p>ZJ1 x 39 L-43</p> 	<p>WT9 x 45 3x16</p> 	<p>KL x 1</p> 
<p>WE7 x 18 ES6,3x13KBH</p> 	<p>GW1 x 30 1,4x25</p> 	<p>SP x 8</p> 
<p>SG1 x 8</p> 	<p>U1T x 3</p> 	<p>KT1 x 6 6,3x50</p> 
<p>K2 x 4 8x60</p> 	<p>ZD2 x 4 L76</p> 	<p>BR1 x 10 16x12x1</p> 
<p>x 1</p> 	<p>KL x 1</p> 	<p>PO4 x 2</p> 
<p>P1 x 3 L-350</p> 		



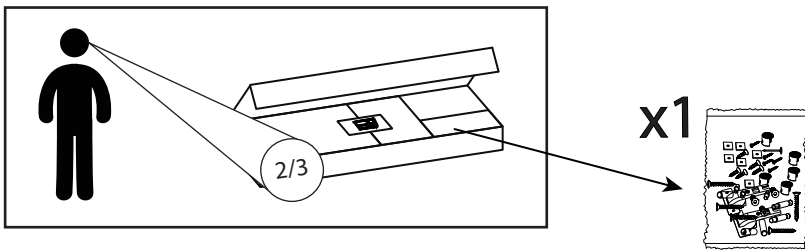
BALTICA 12

	CODE				
1	Baltica12_03	526	400	1	2/3
2	Baltica12_04	526	400	1	2/3
3	Baltica12_14	92	350	3	2/3
4	Baltica12HDF_01	462	355	3	1/3
5	Baltica12_09	1613	50	2	1/3
6	Baltica12HDF_03	1623	214	1	1/3
7	Baltica12_10	499	164	1	1/3
8	Baltica12_11	499	164	1	1/3
9	Baltica12_12	499	164	1	1/3
10	Baltica12_21	1648	70	1	3/3
11	Baltica12_18	543	70	2	3/3

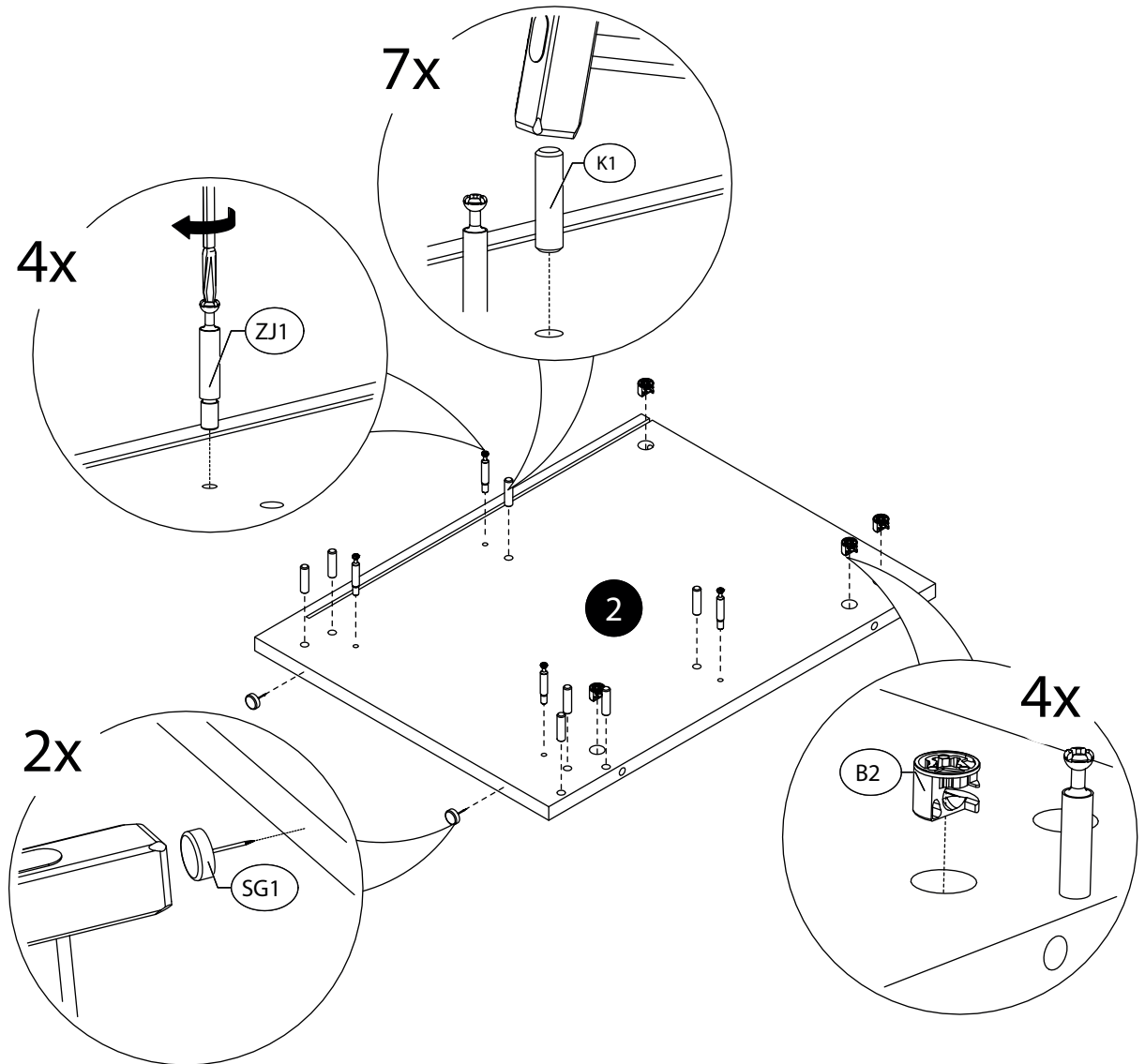
	CODE				
12	Baltica12_17	1613	60	1	1/3
13	Baltica12HDF_02	1623	265	1	1/3
14	Baltica12_07	192	369	2	2/3
15	Baltica12_08	252	370	2	2/3
16	Baltica12_16	1613	385	1	1/3
17	Baltica12_15	92	433	3	1/3
18	Baltica12_20	1648	70	1	3/3
19	Baltica12_02	1613	385	1	1/3
20	Baltica12_01	1648	400	1	1/3
21	Baltica12_06	192	342	1	2/3
22	Baltica12_13	92	350	3	2/3
23	Baltica12_05	192	342	1	2/3



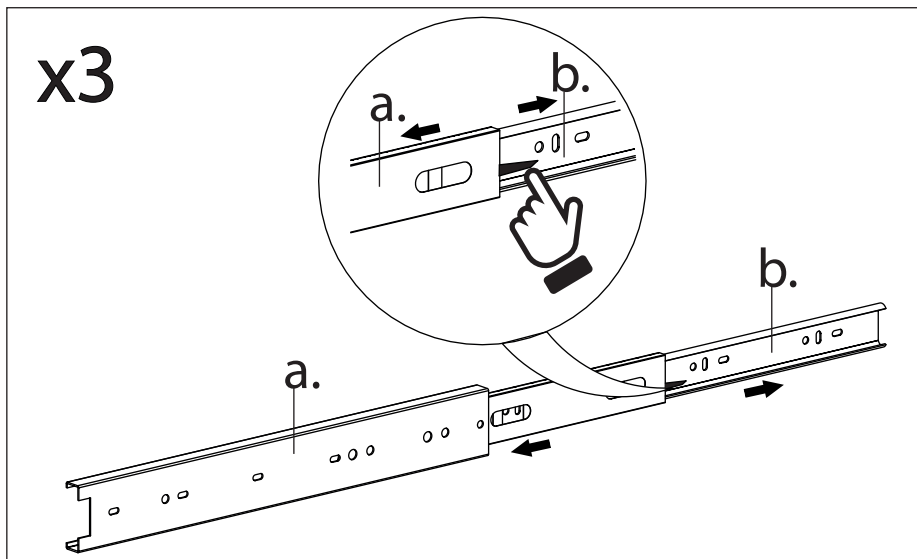
1.



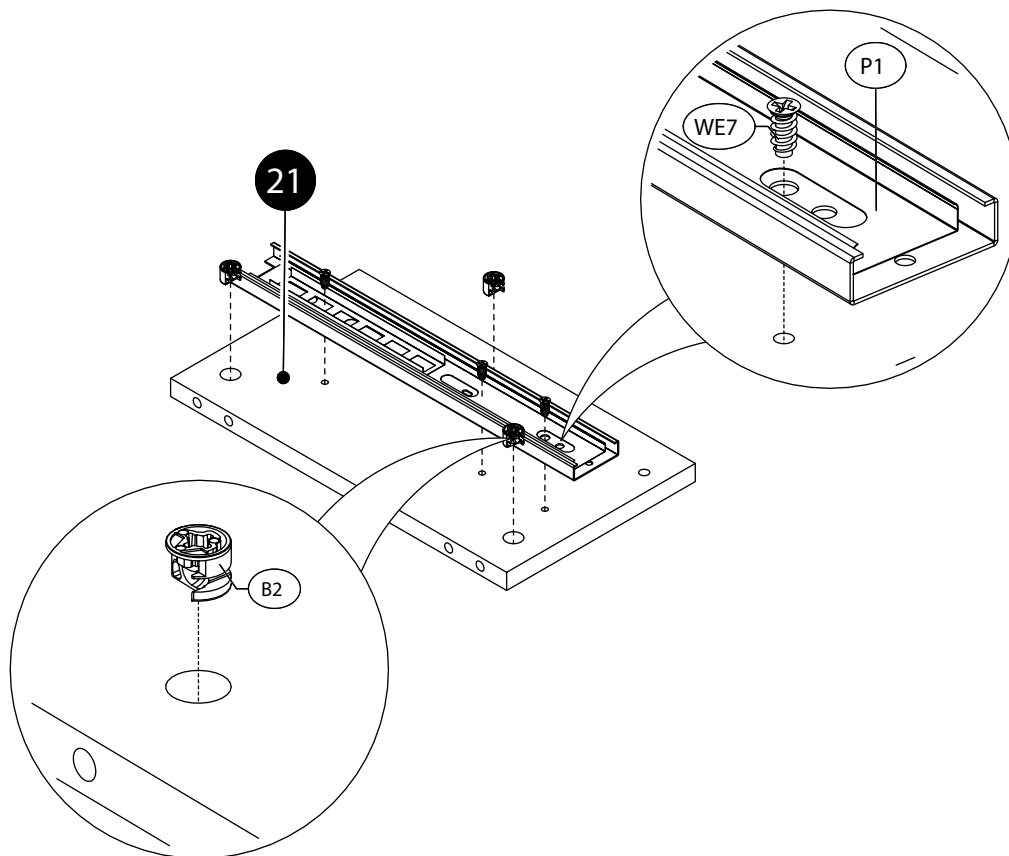
2.



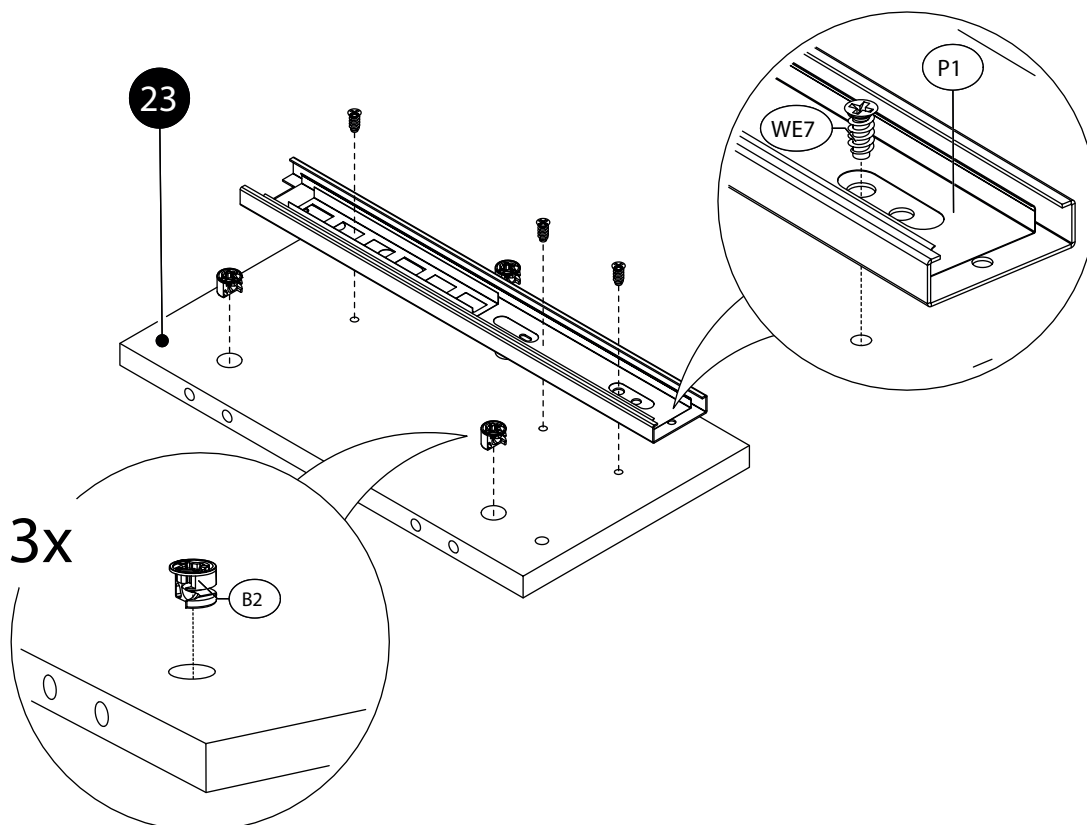
3.



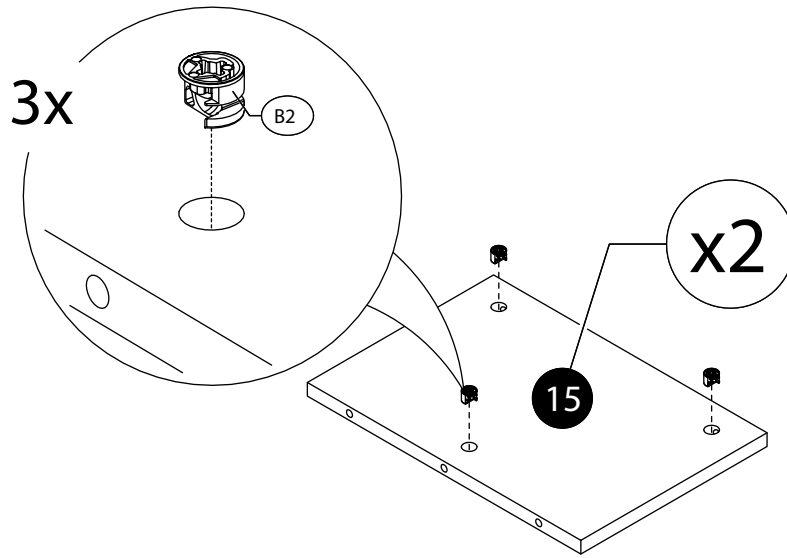
4.



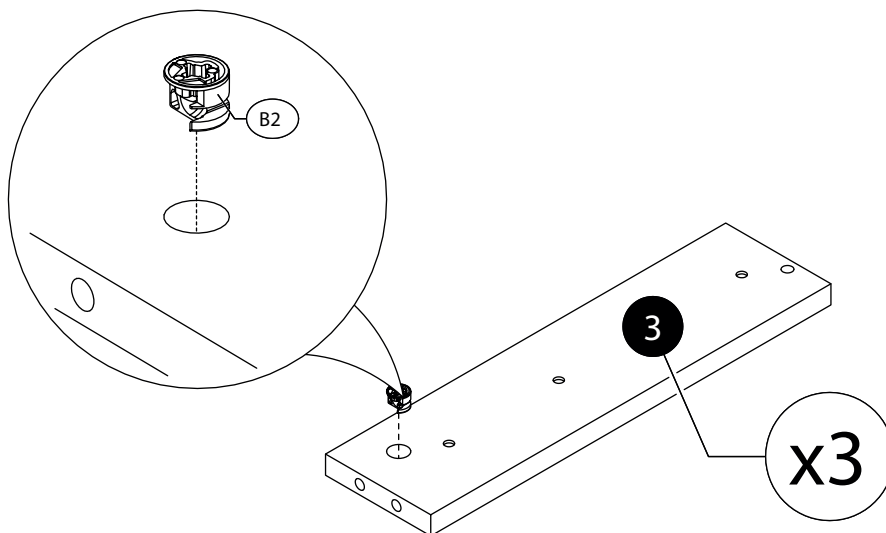
5.



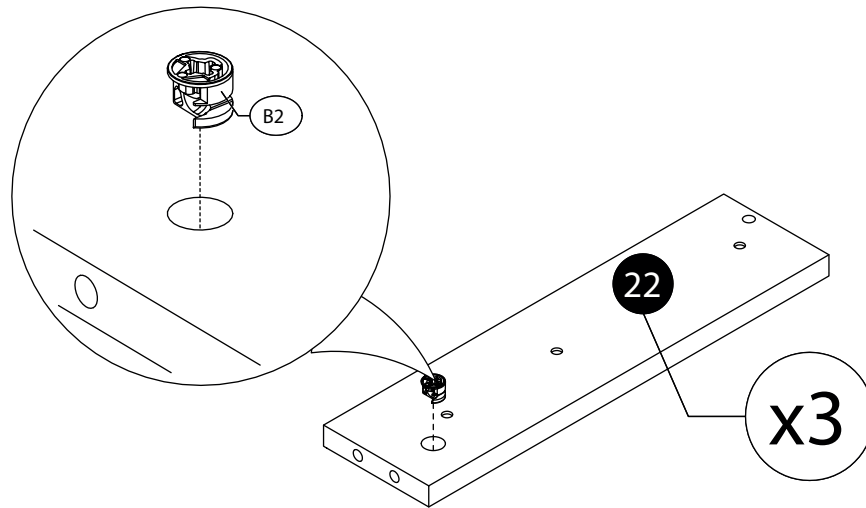
6.



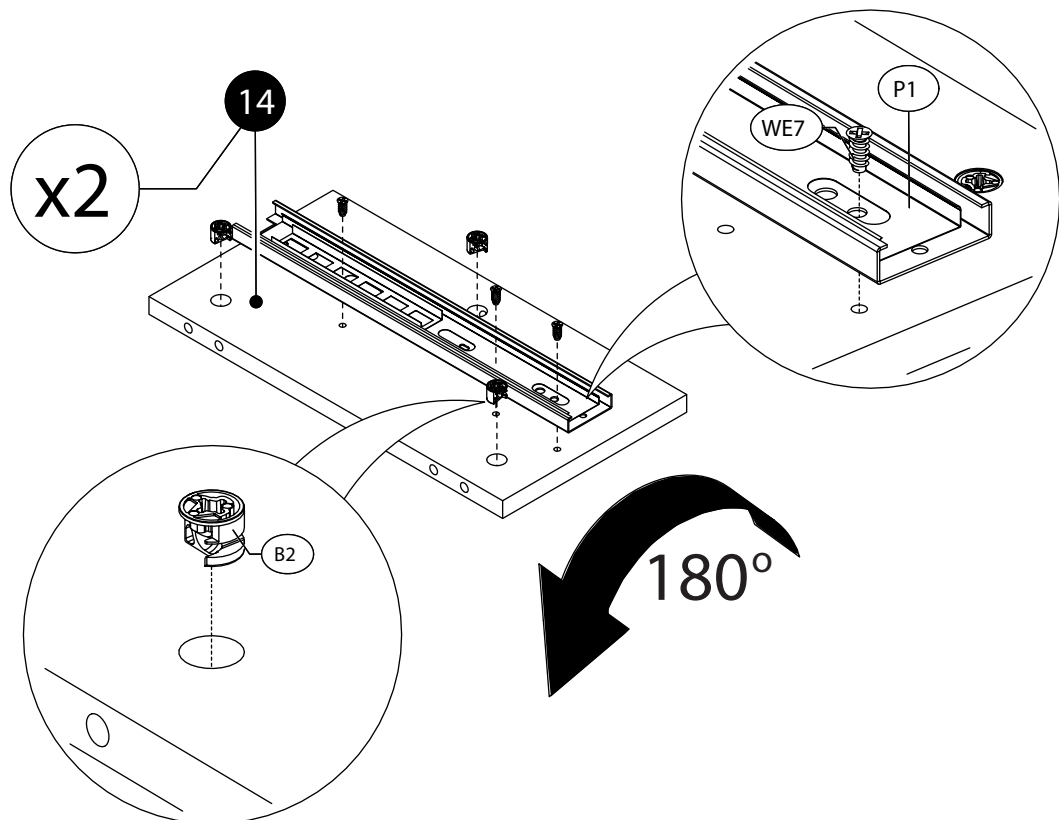
7.



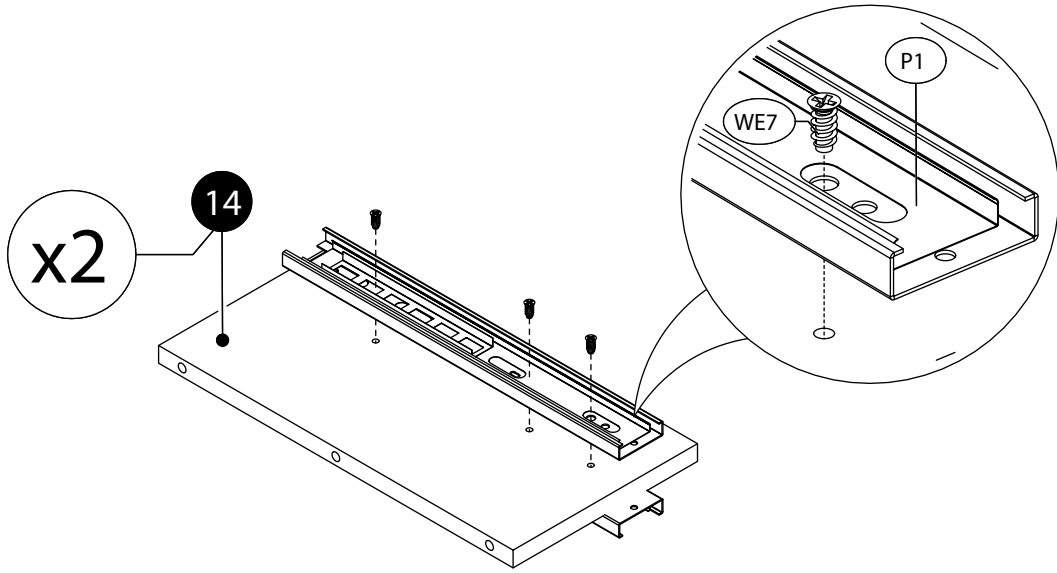
8.



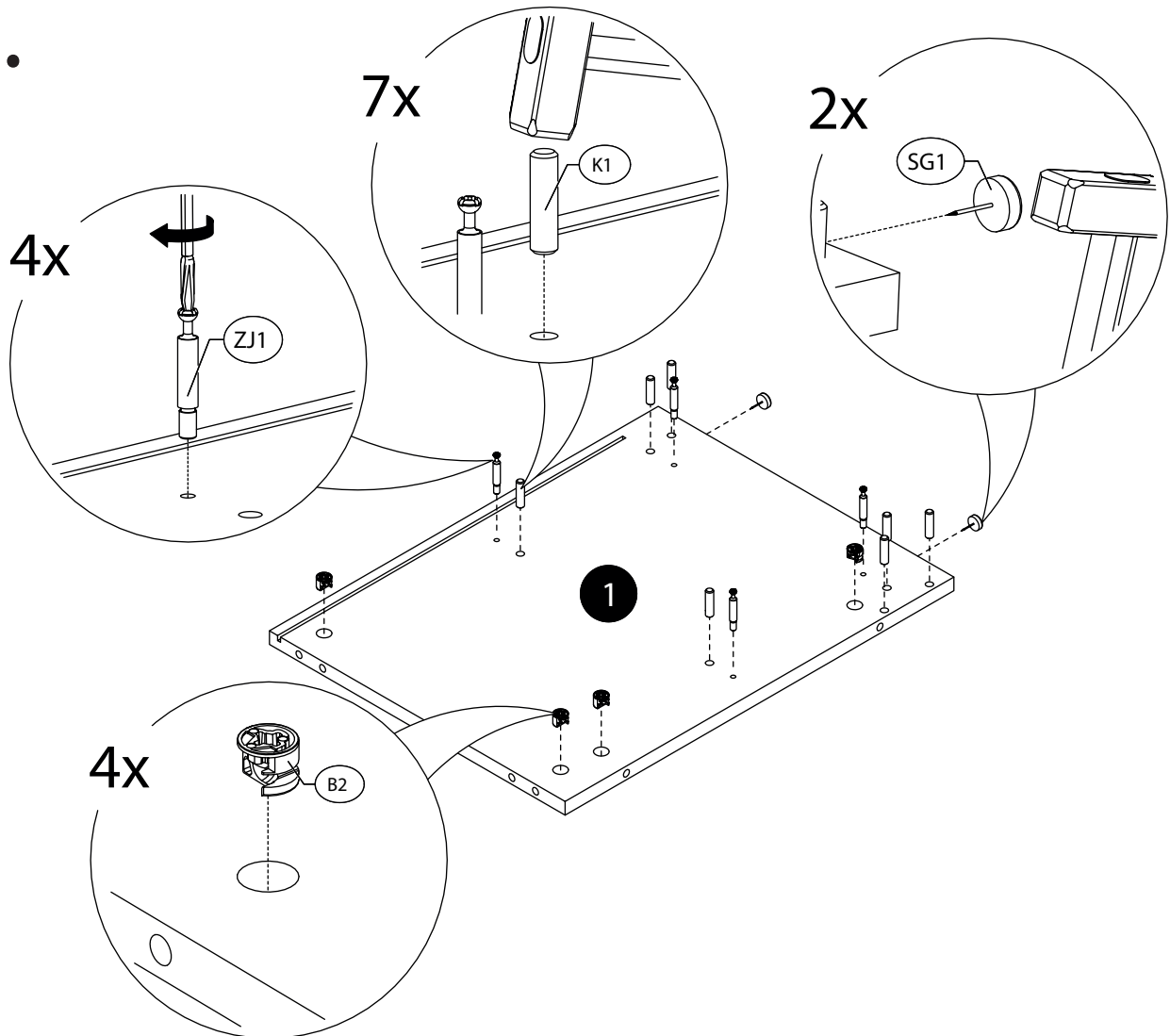
9.



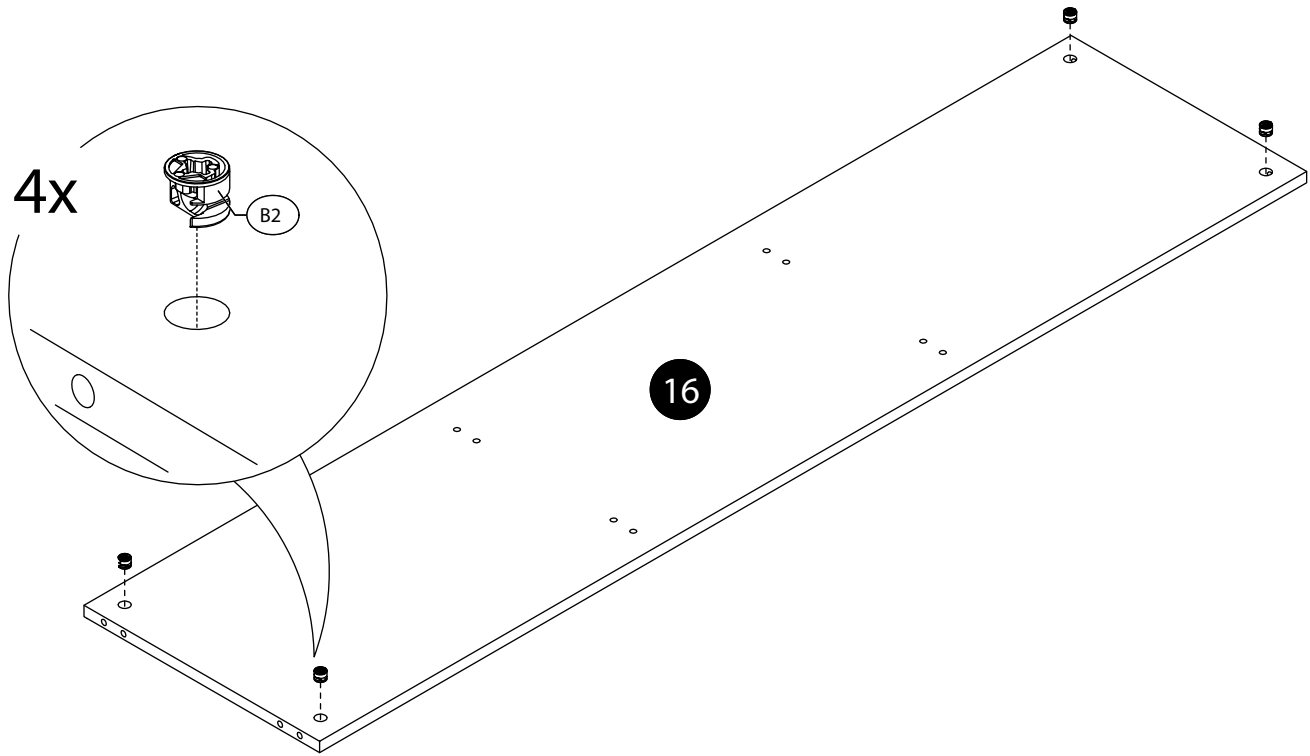
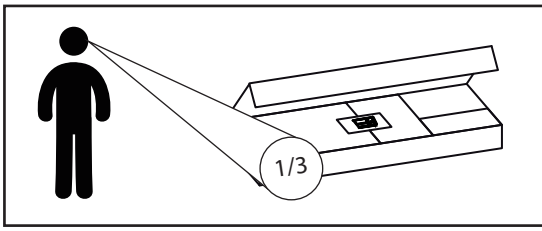
10.



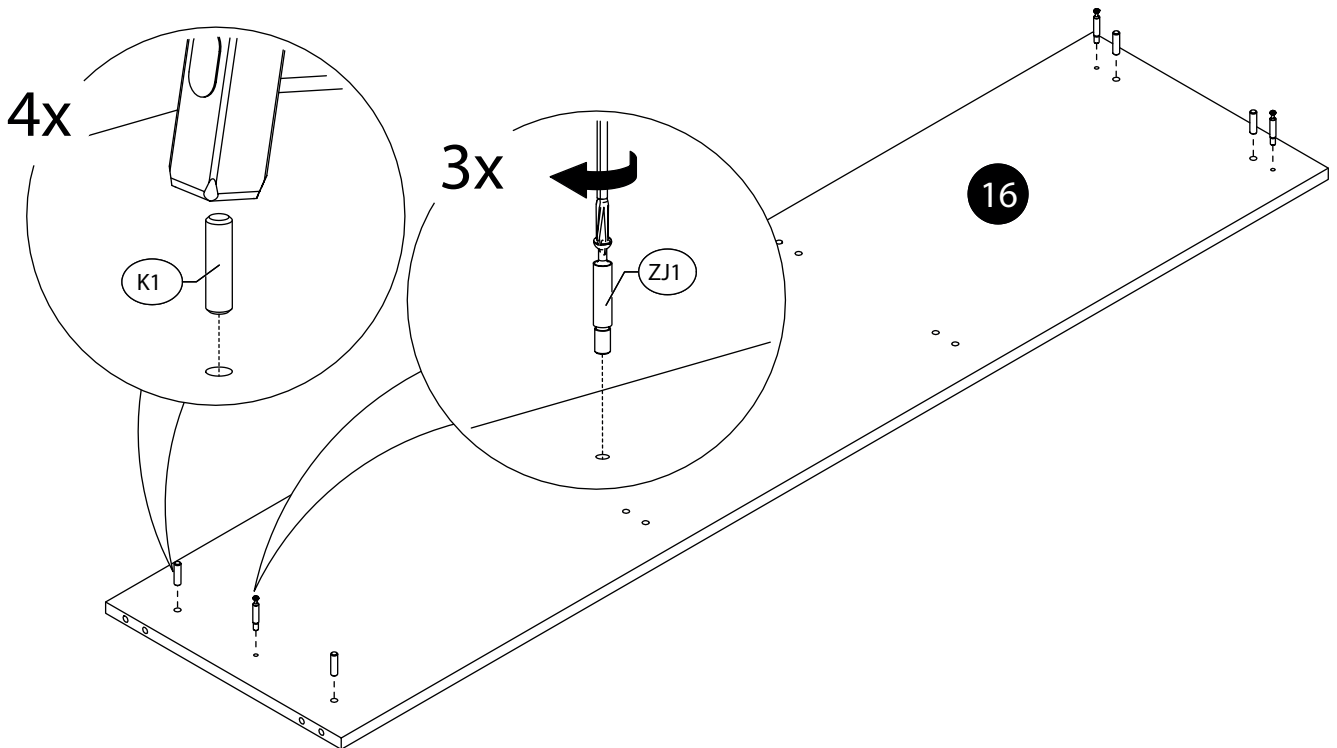
11.



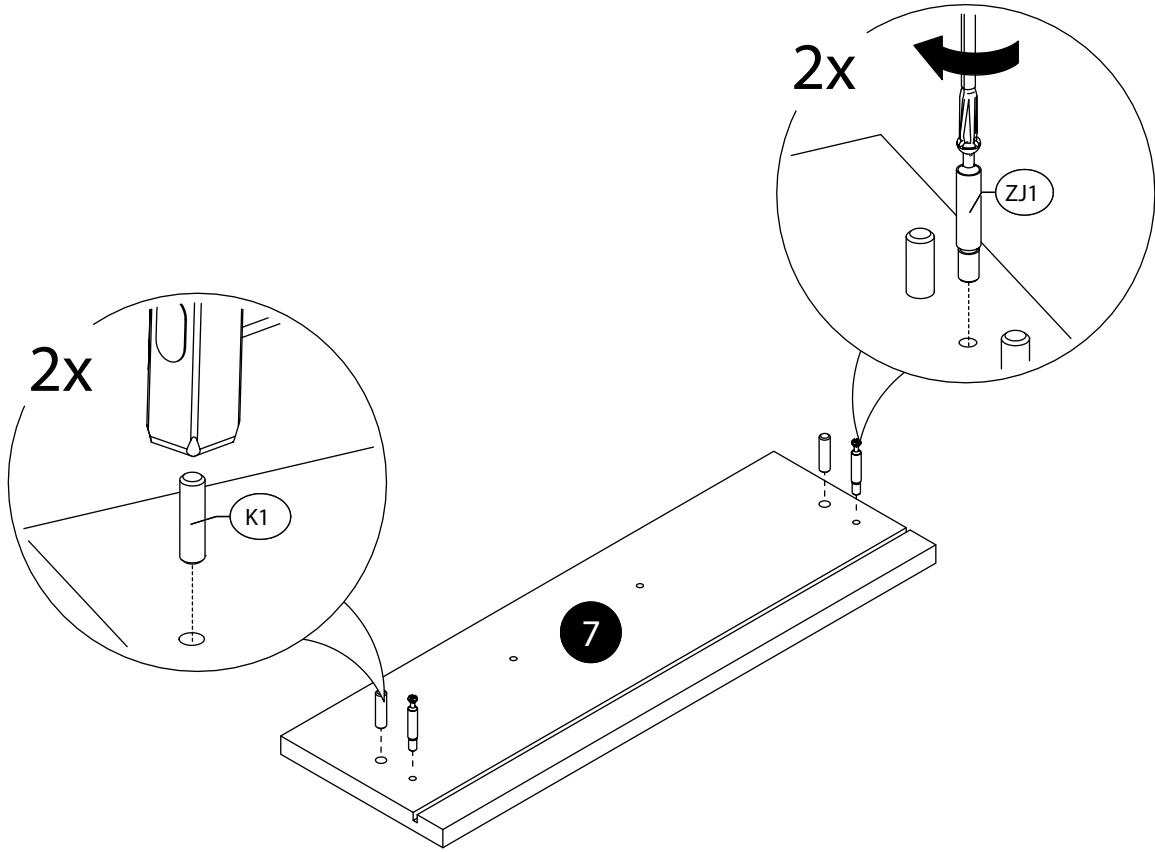
12.



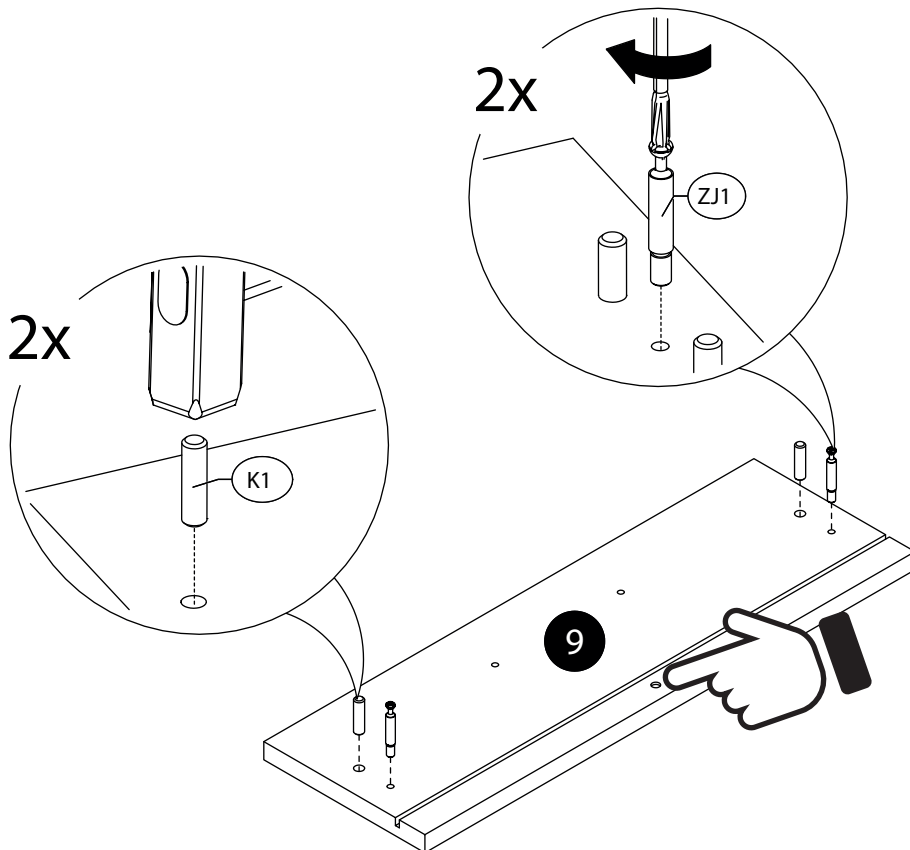
13.



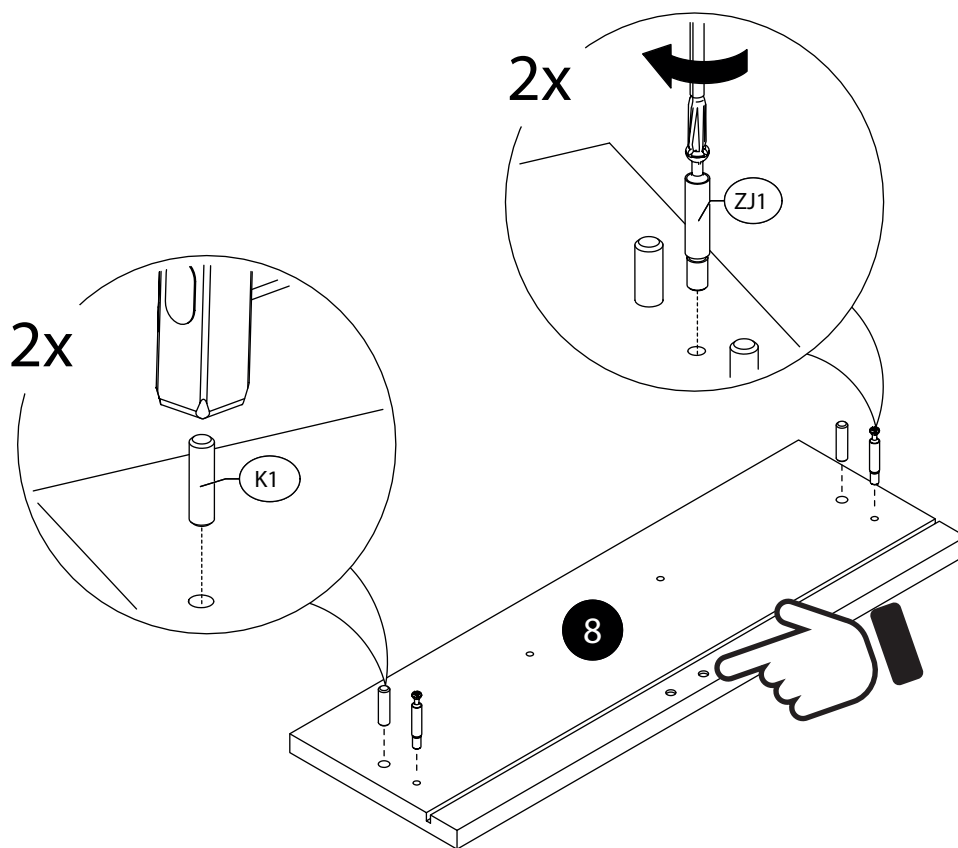
14.



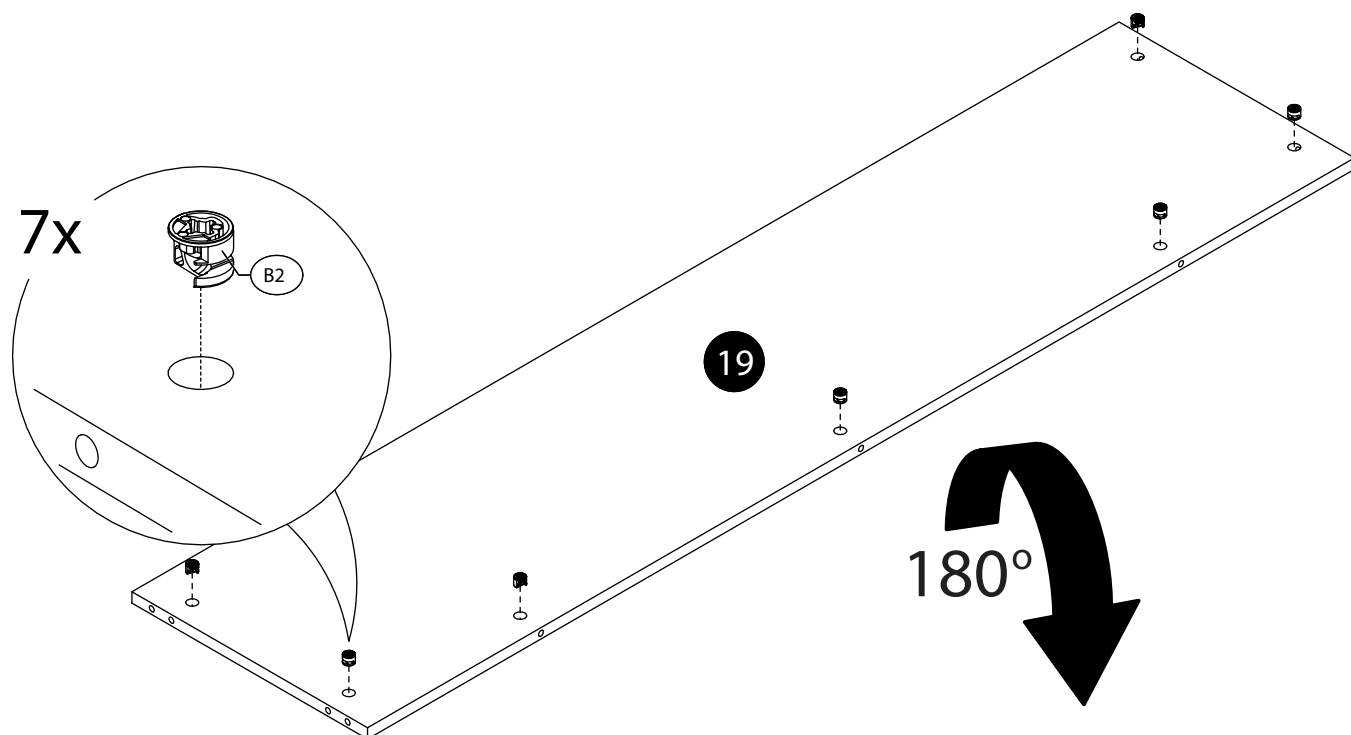
15.



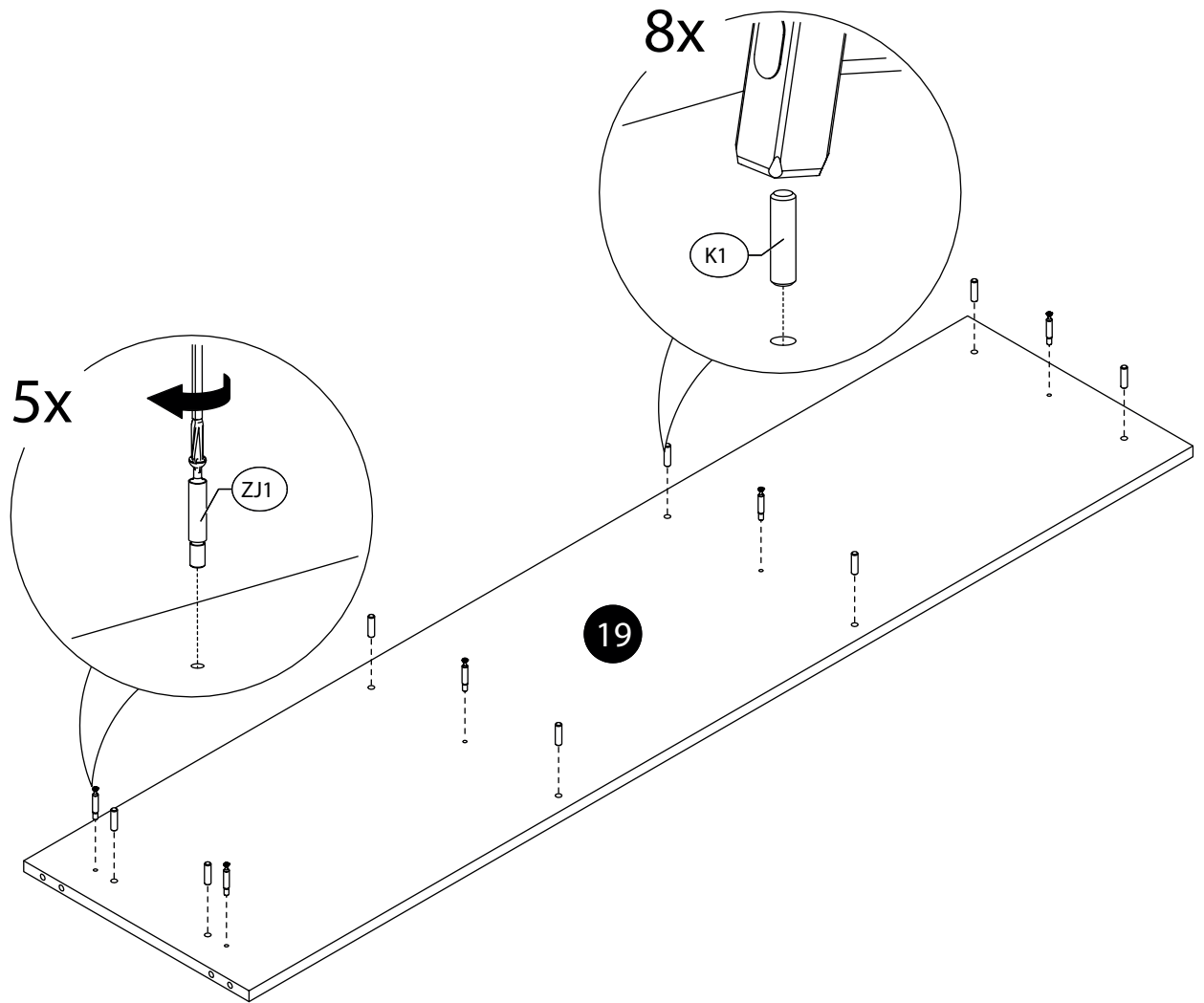
16.



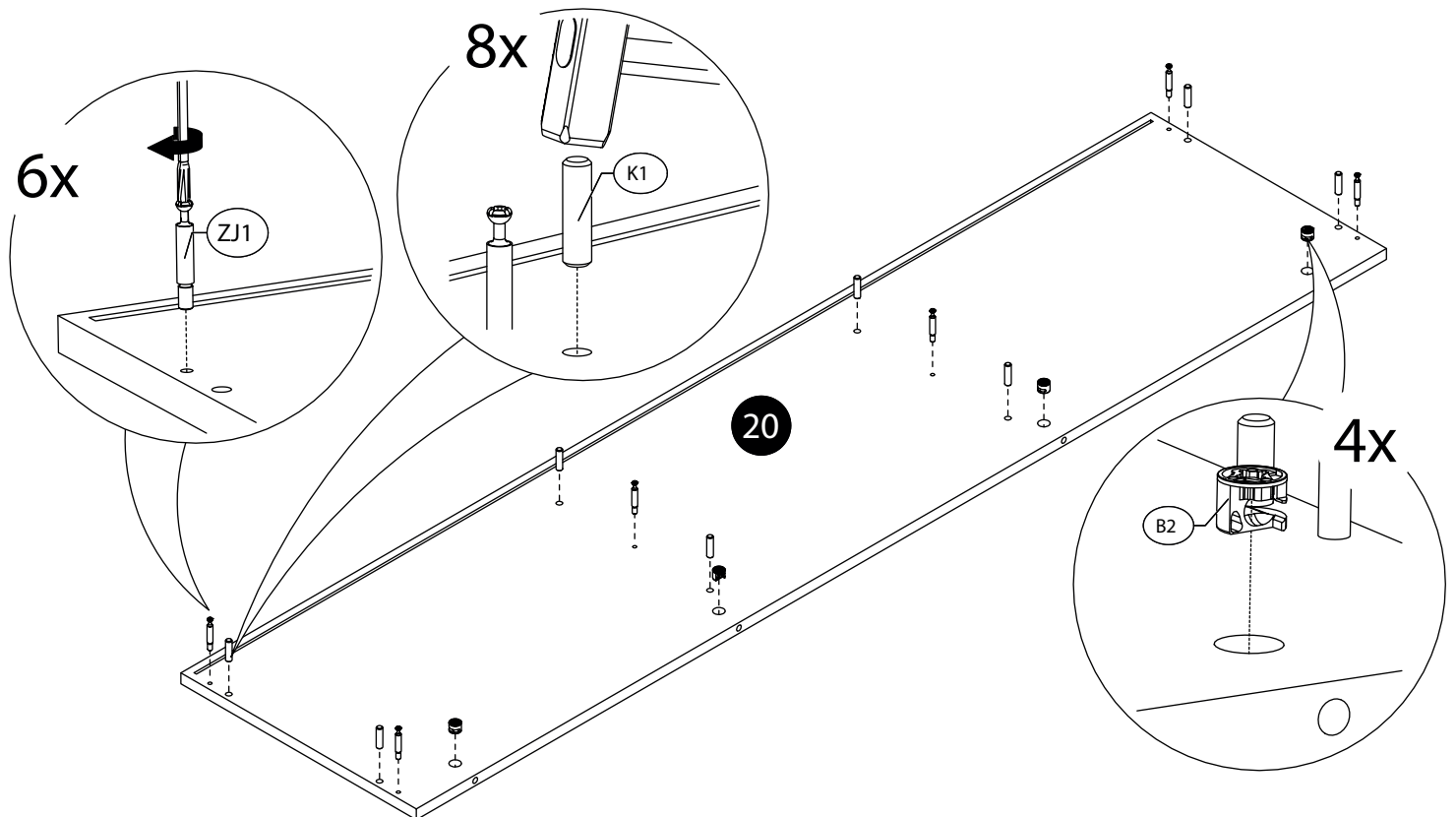
17.



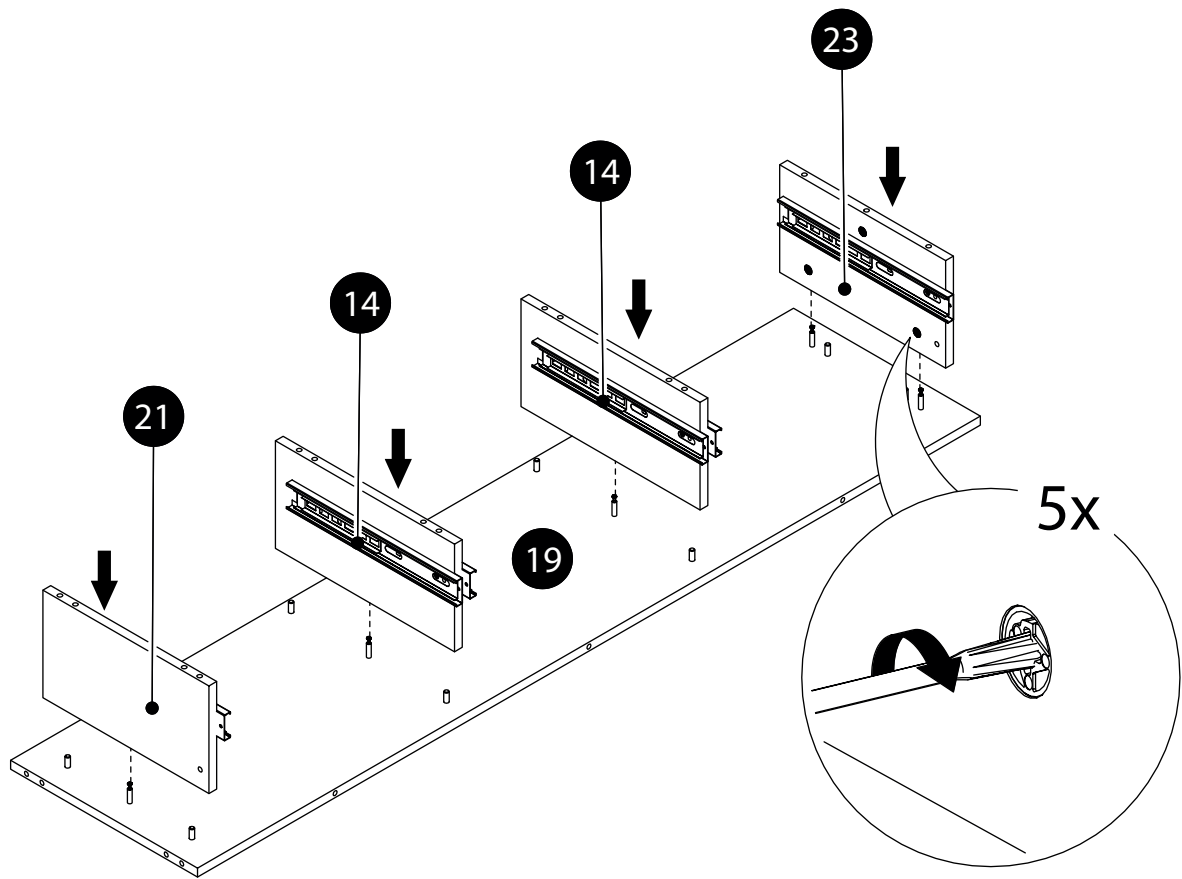
18.



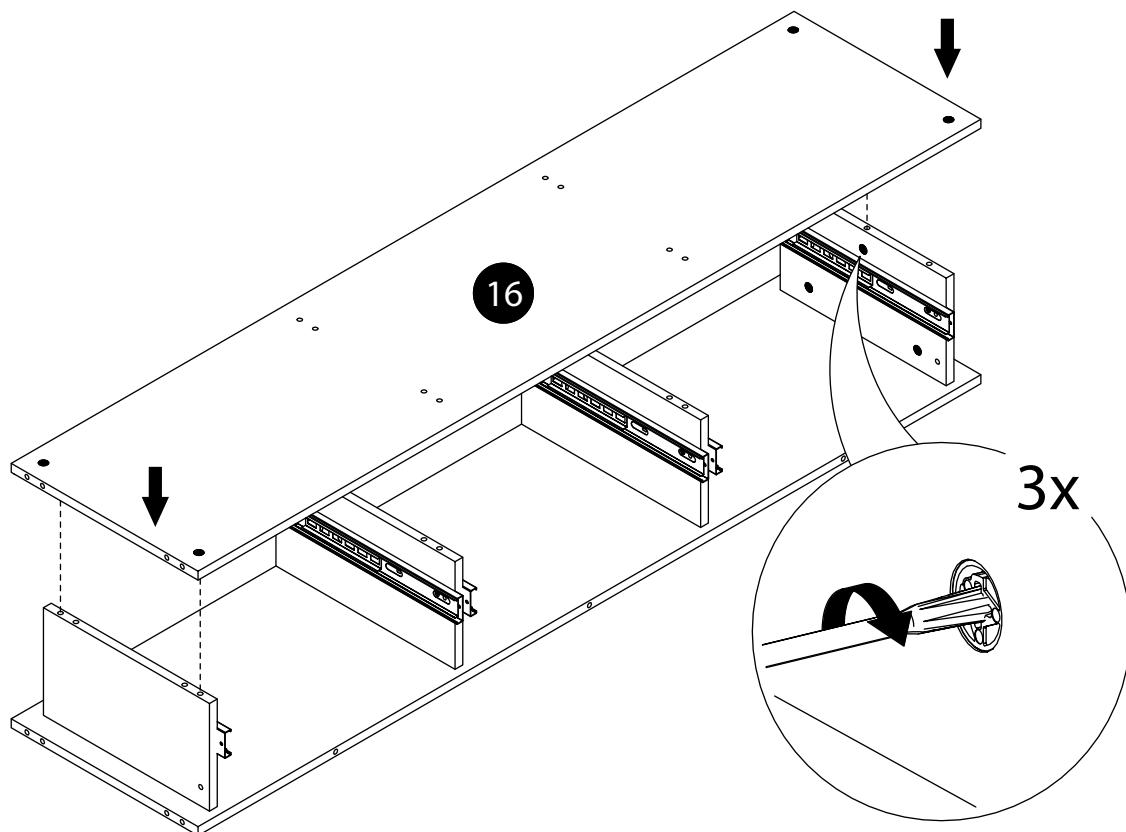
19.



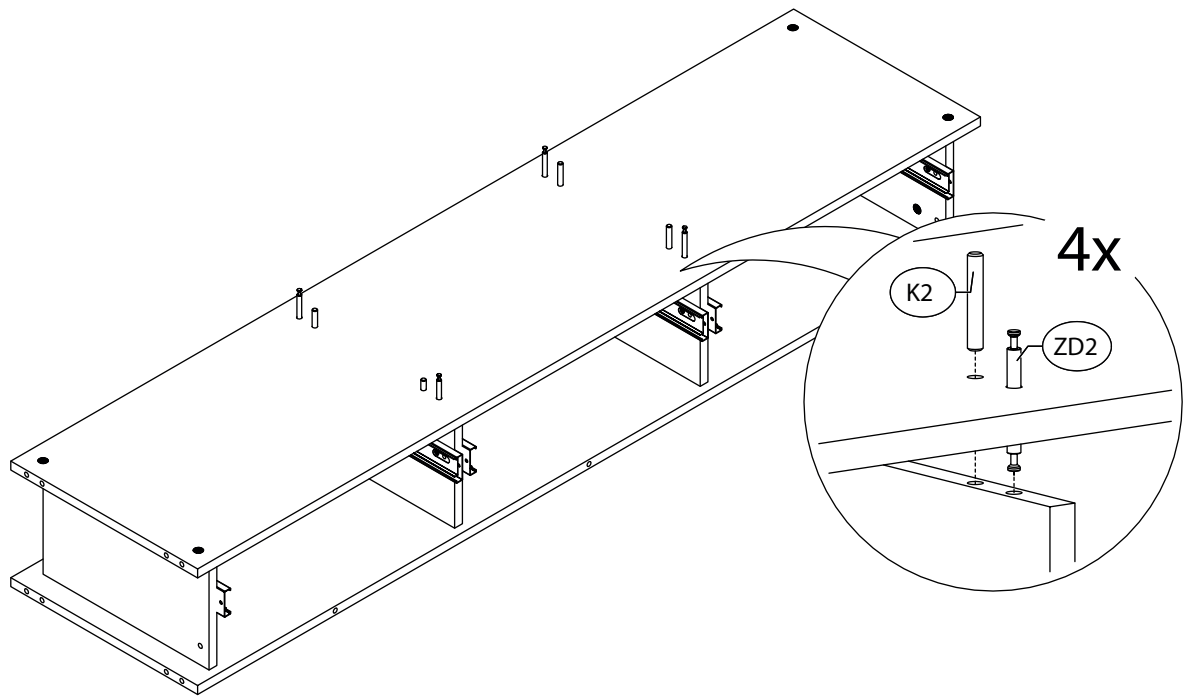
20.



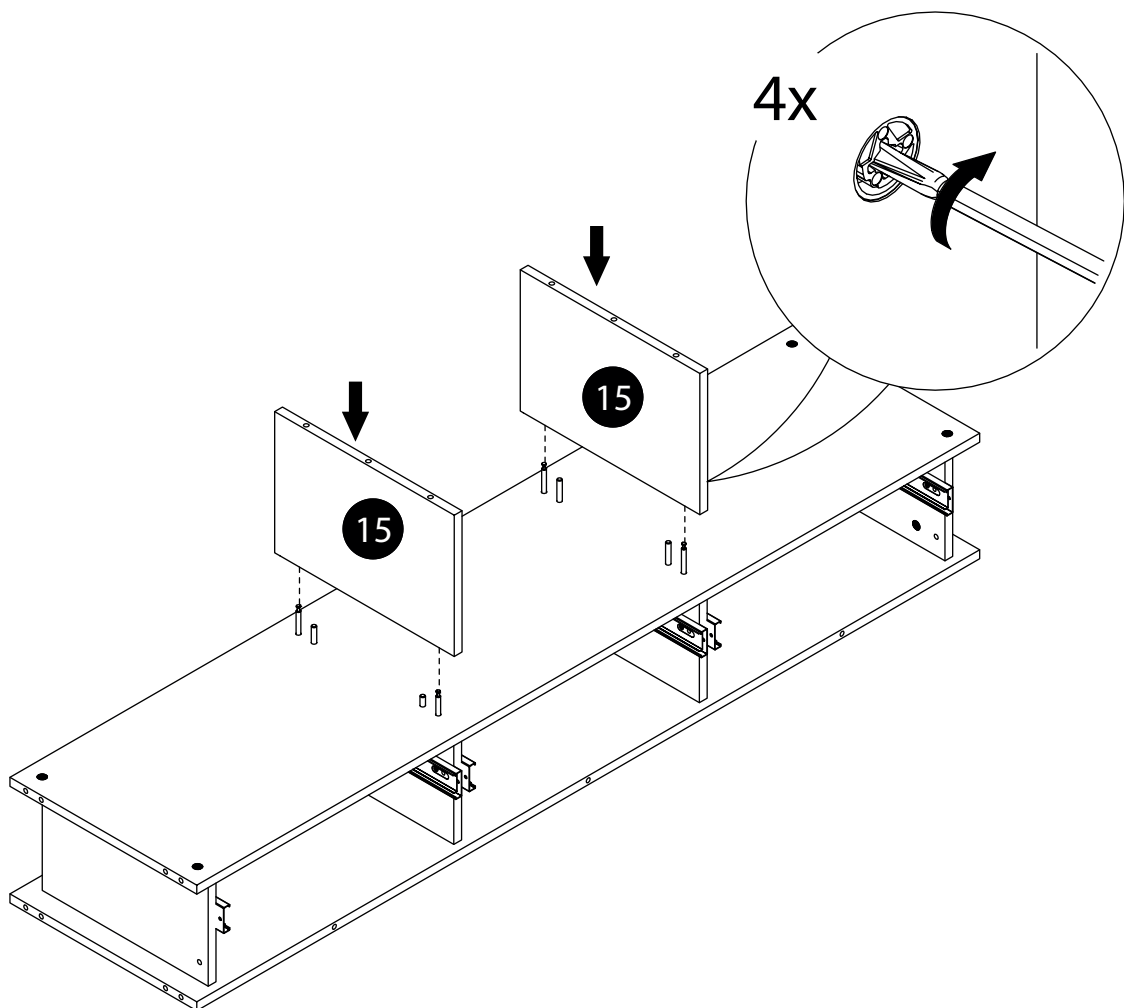
21.



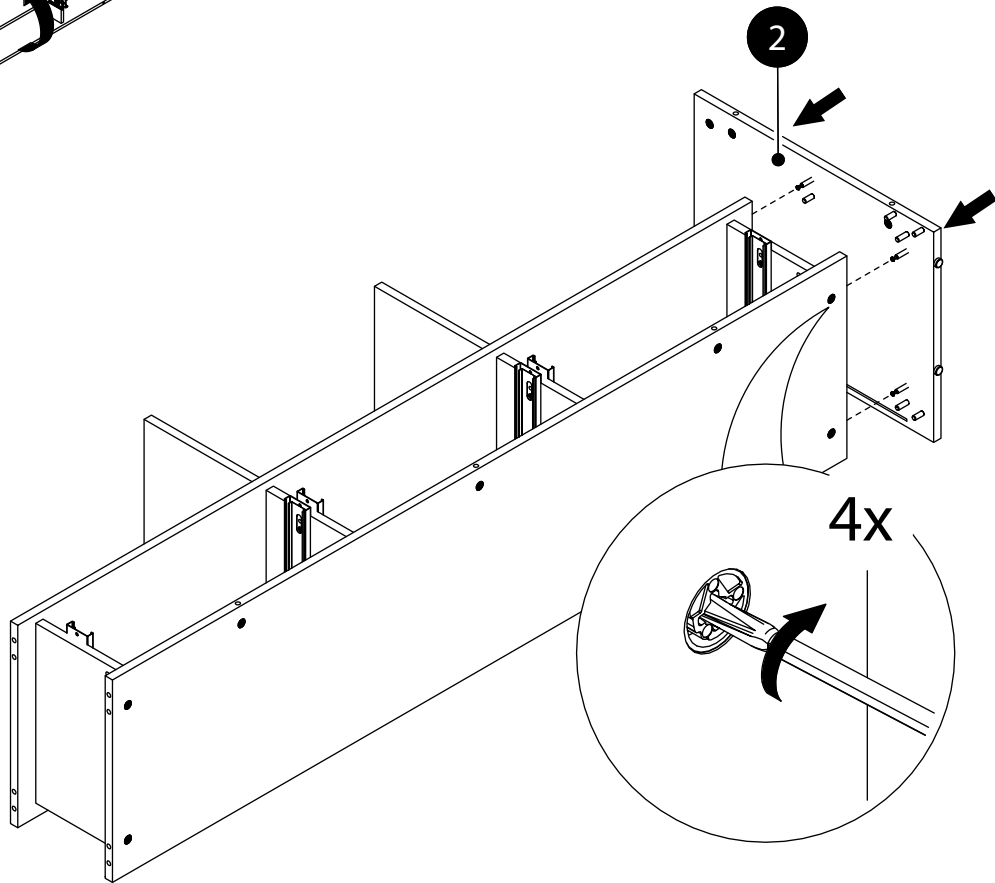
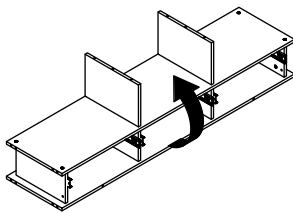
22.



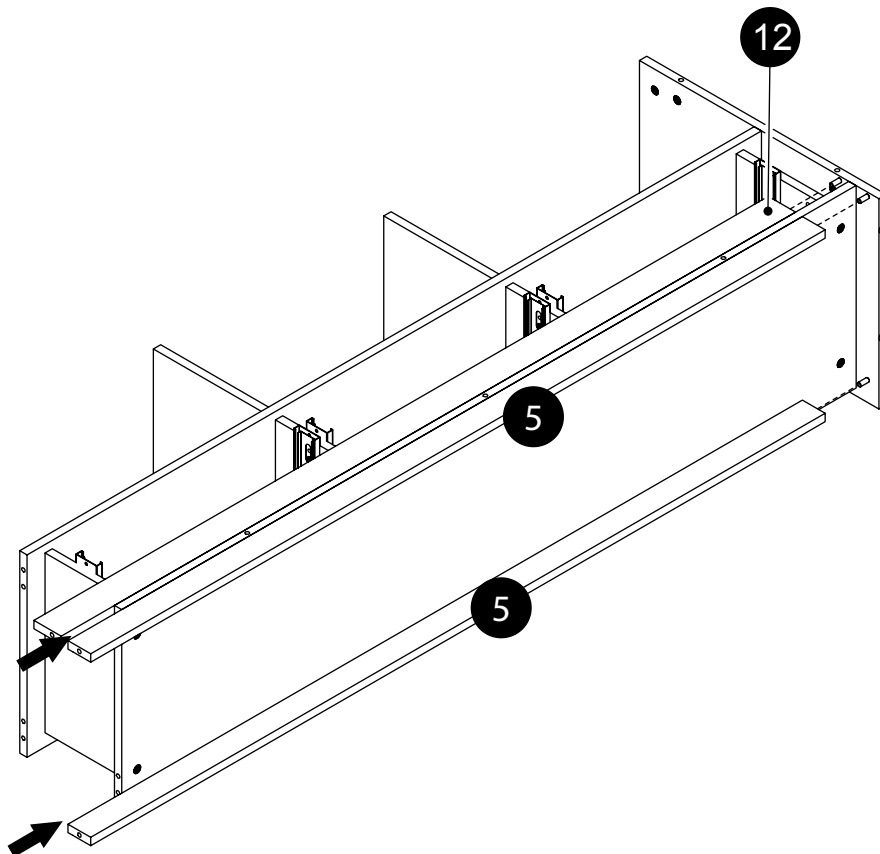
22.



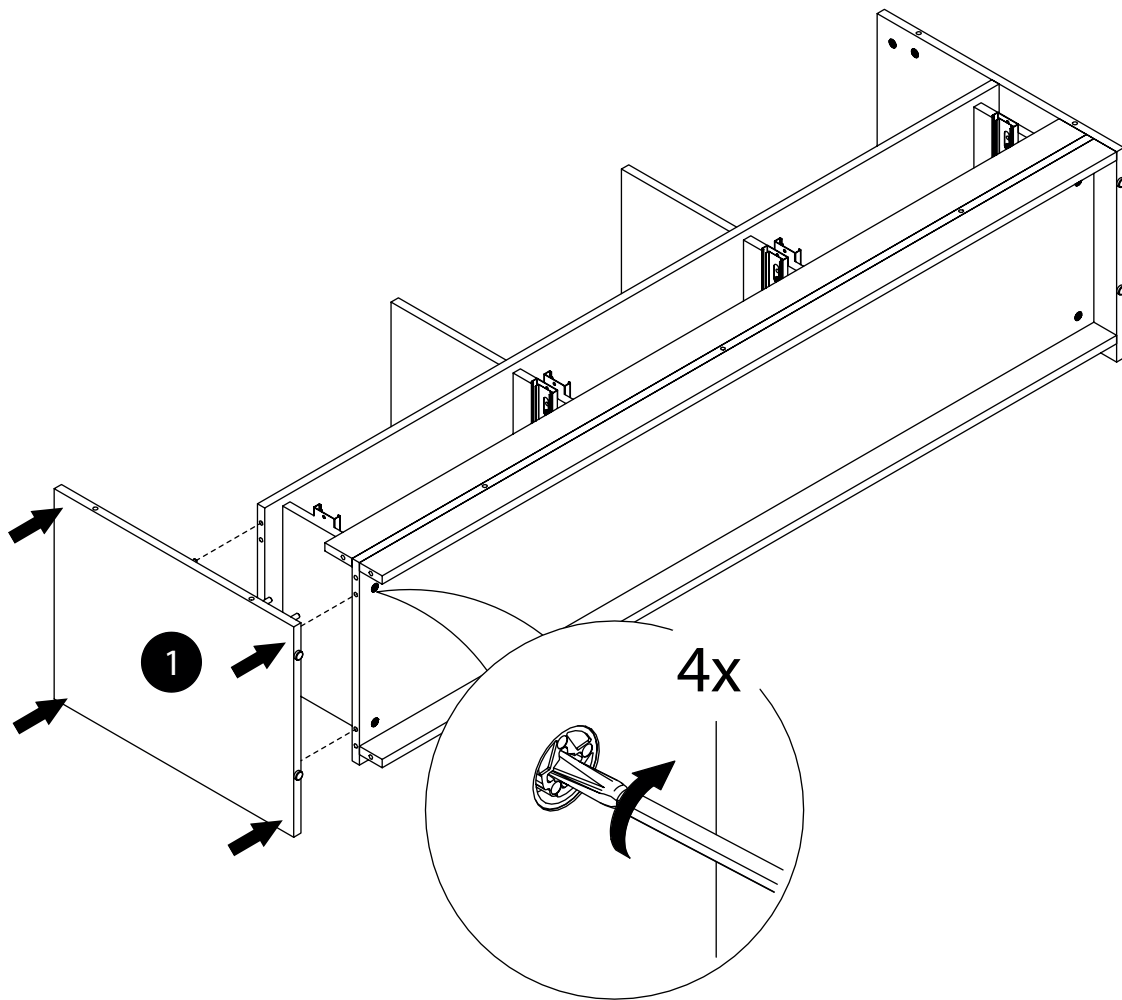
24.



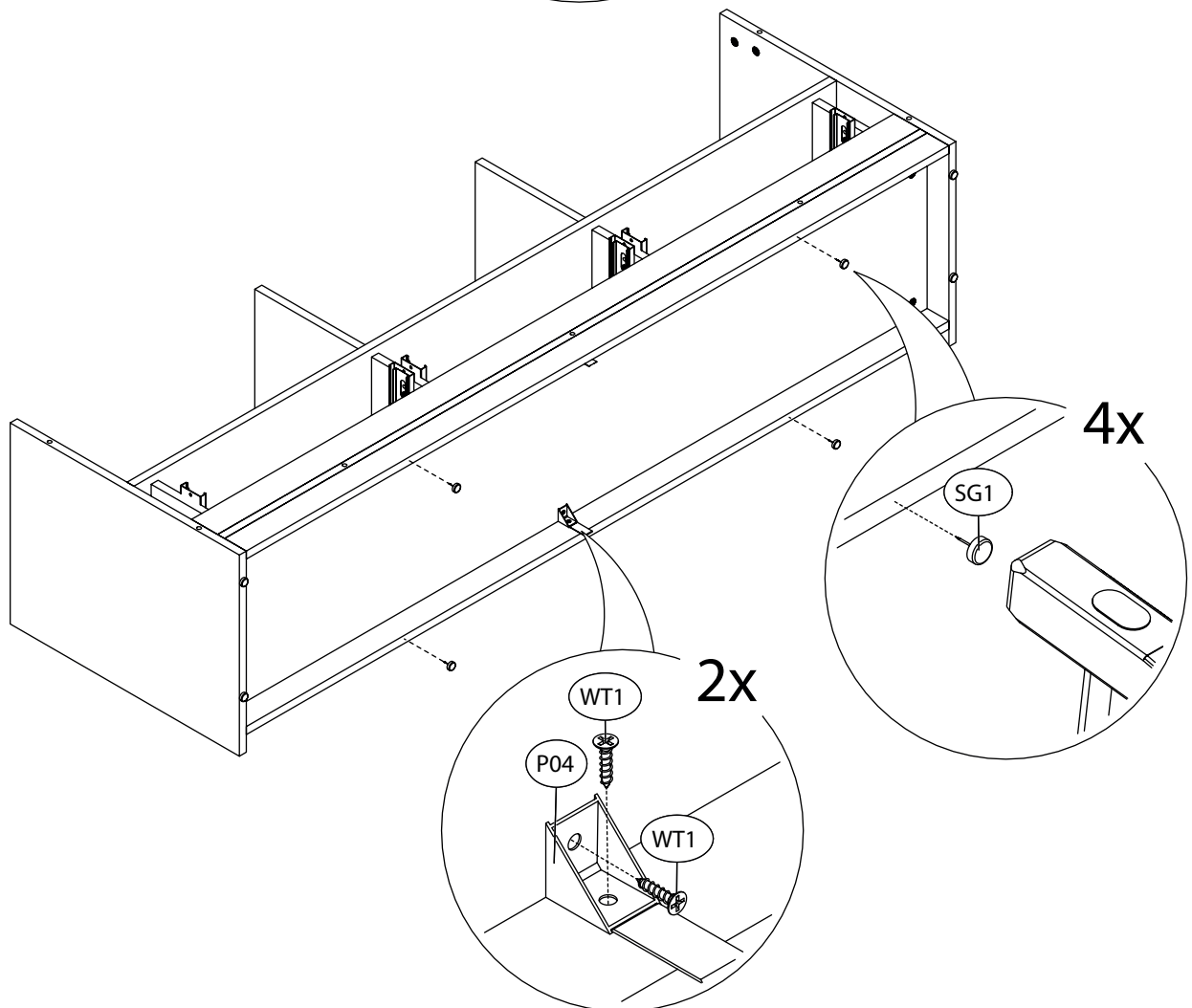
25.



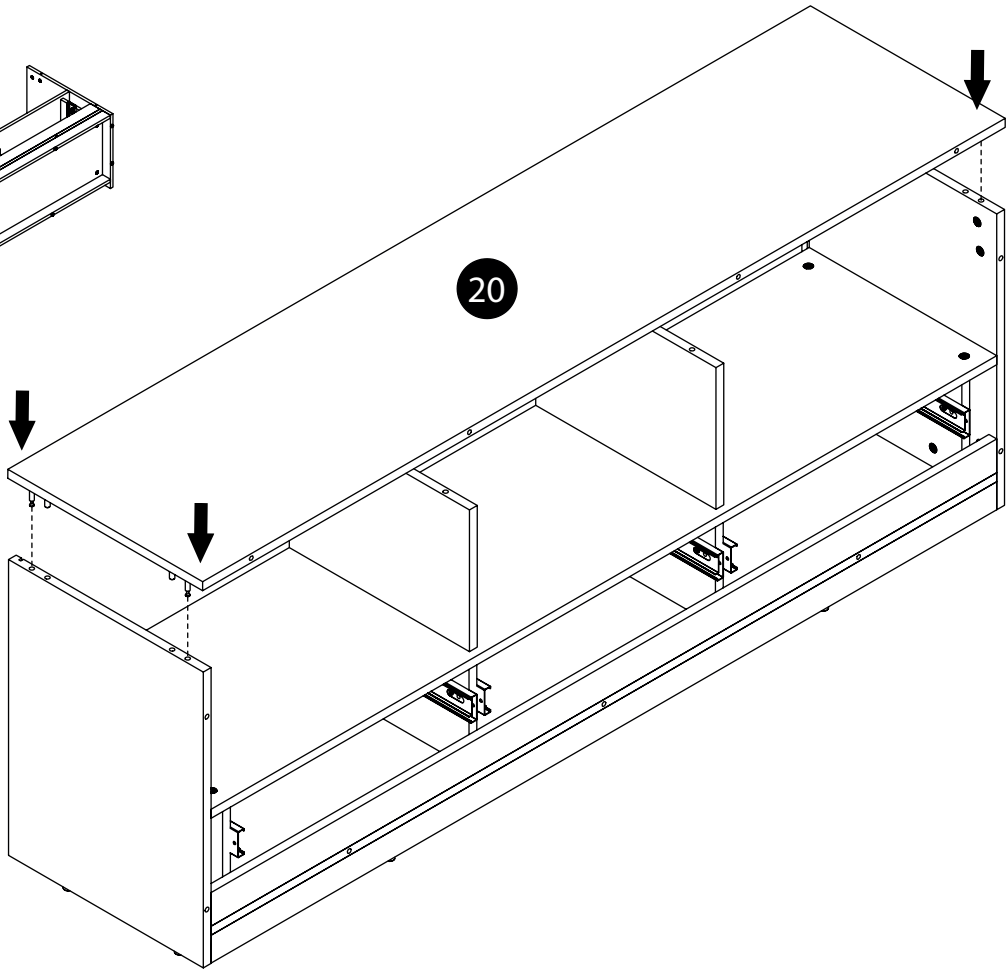
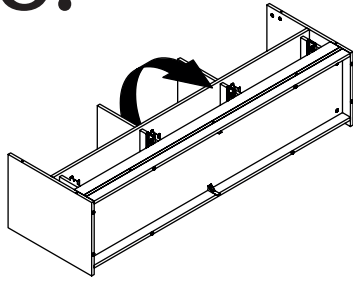
26.



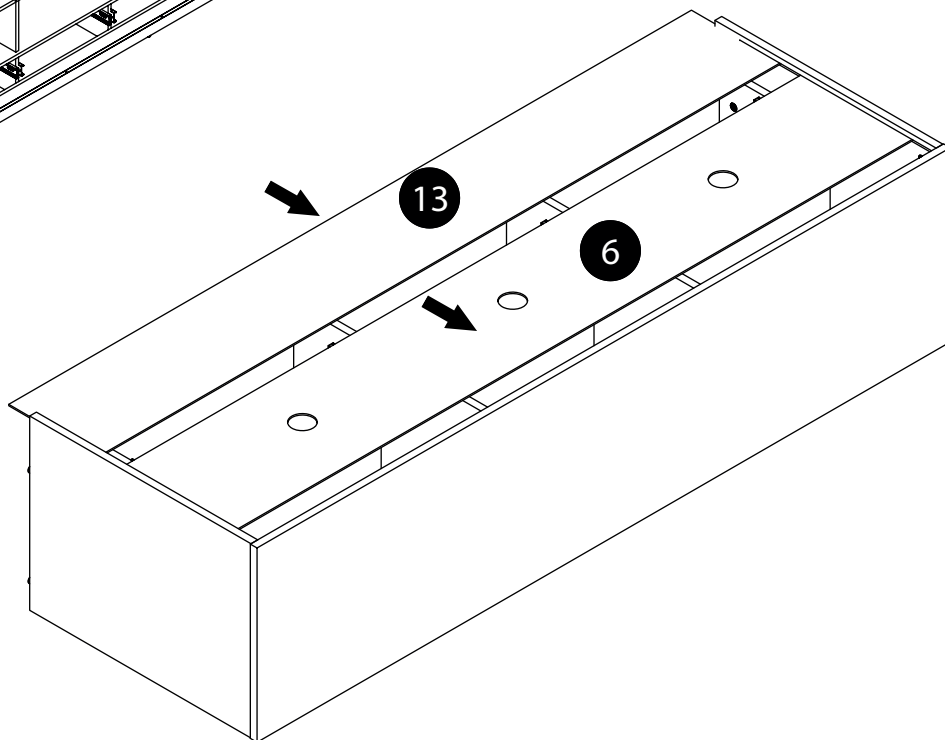
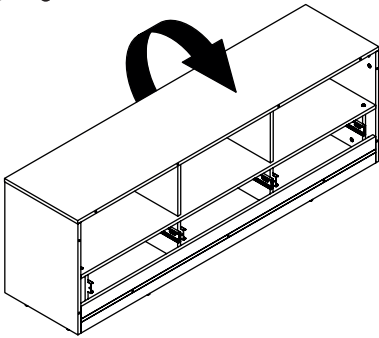
27.



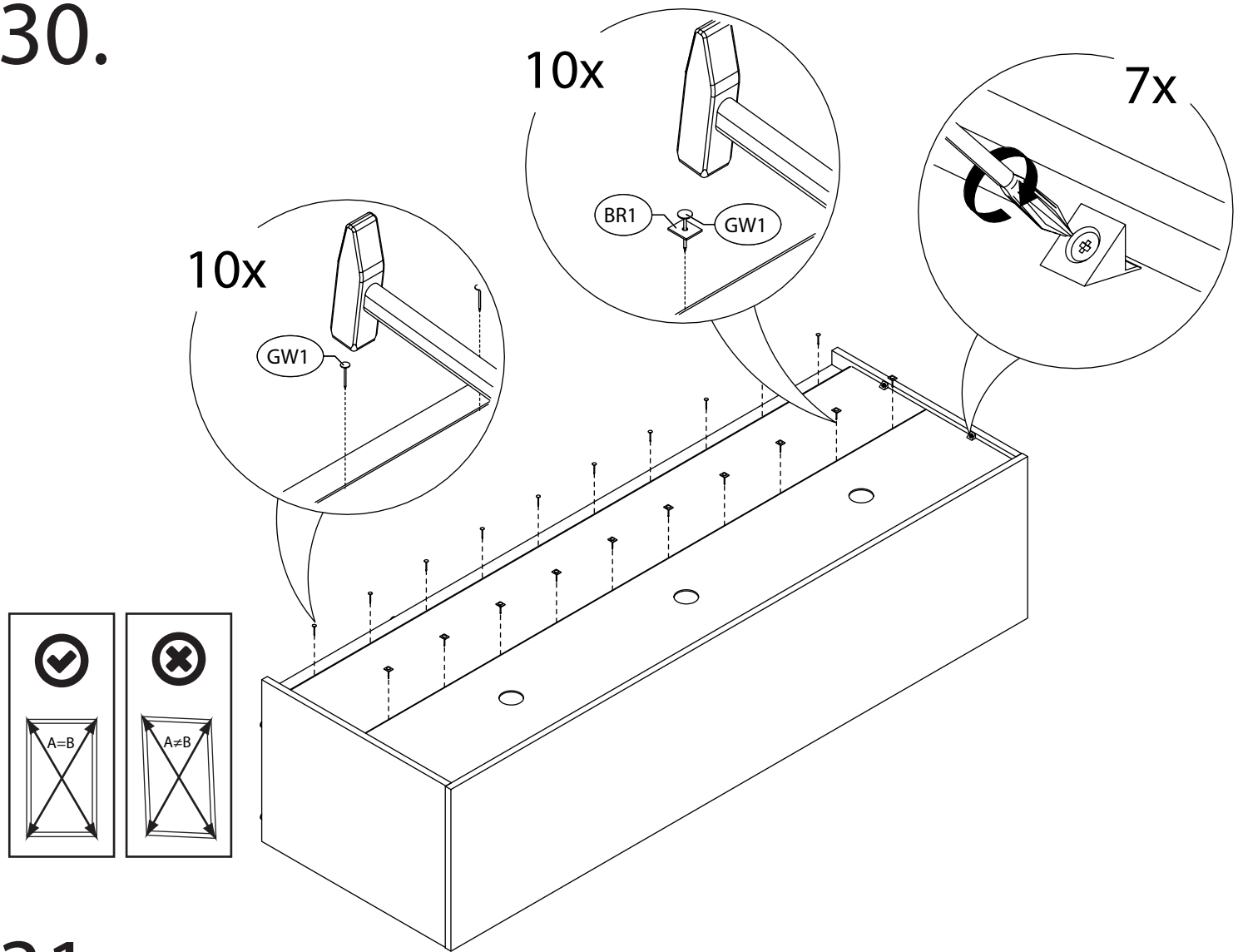
28.



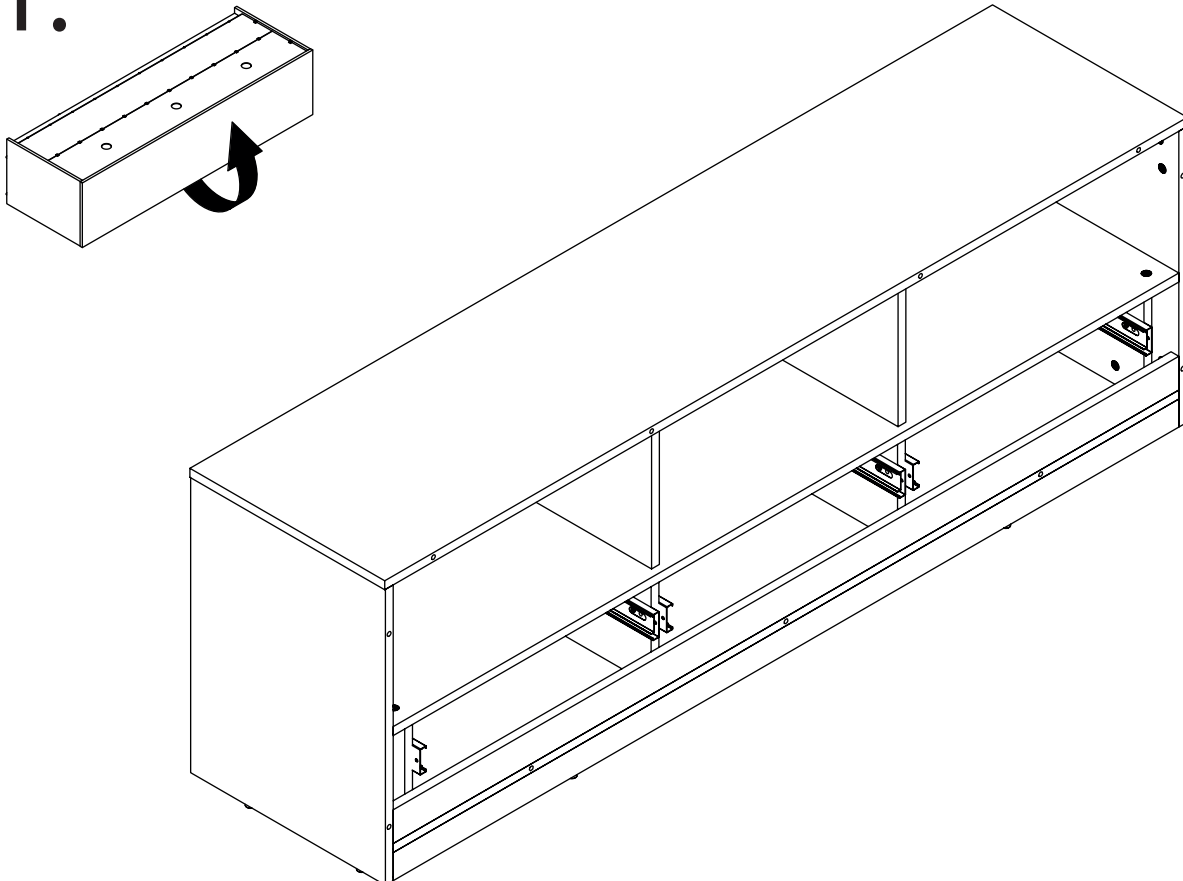
29.



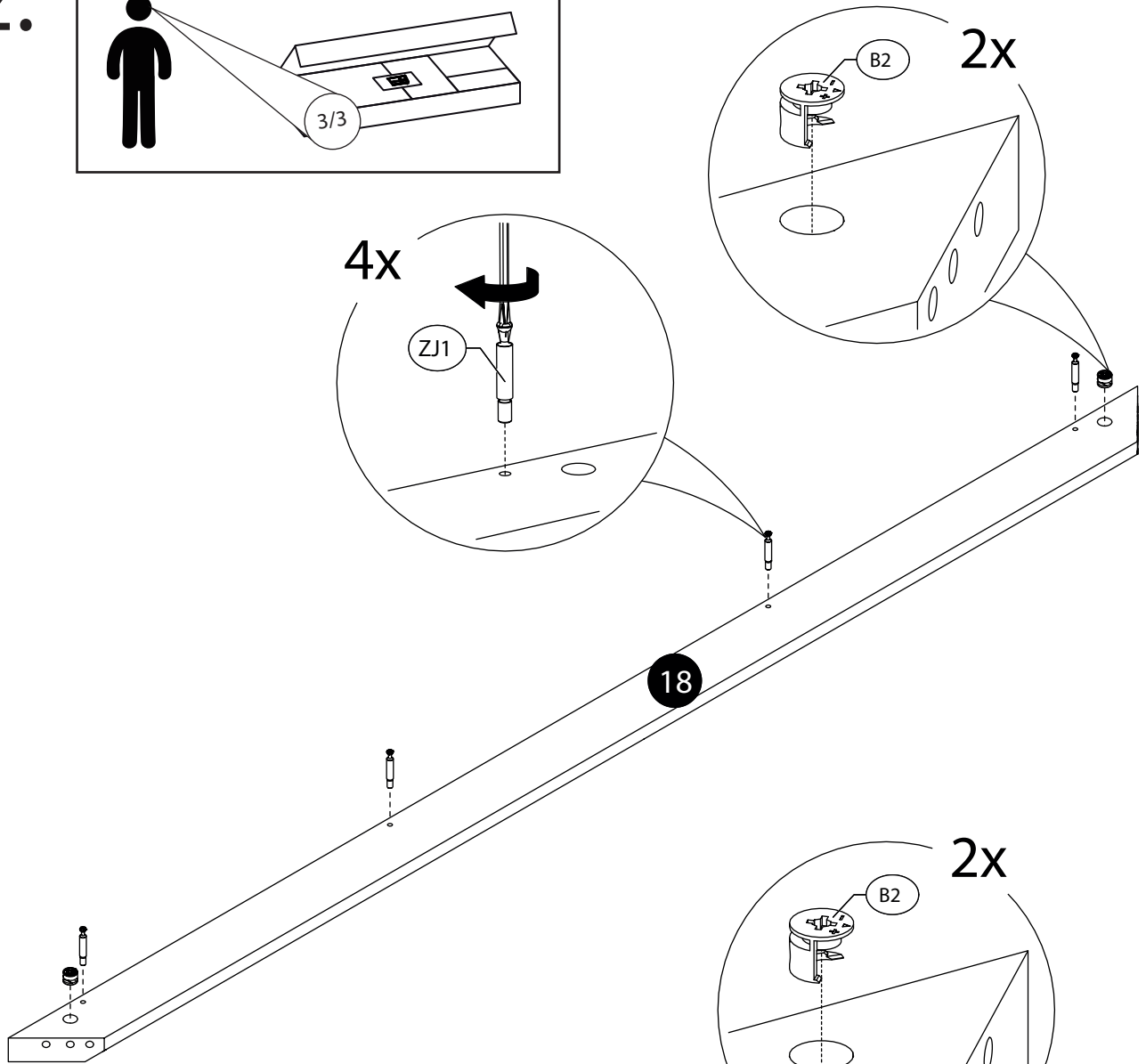
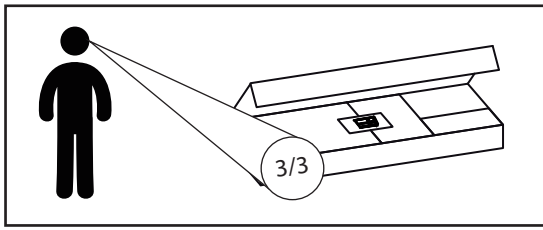
30.



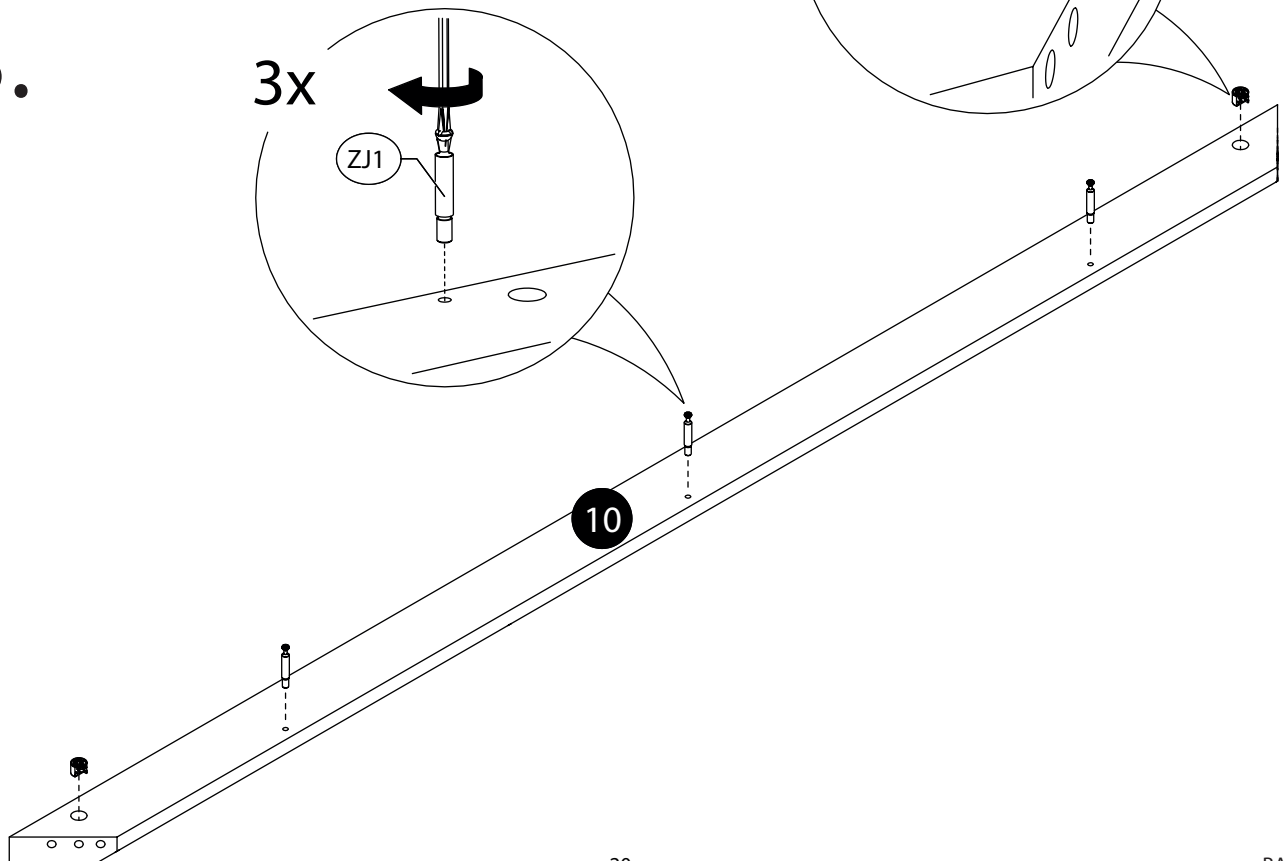
31.



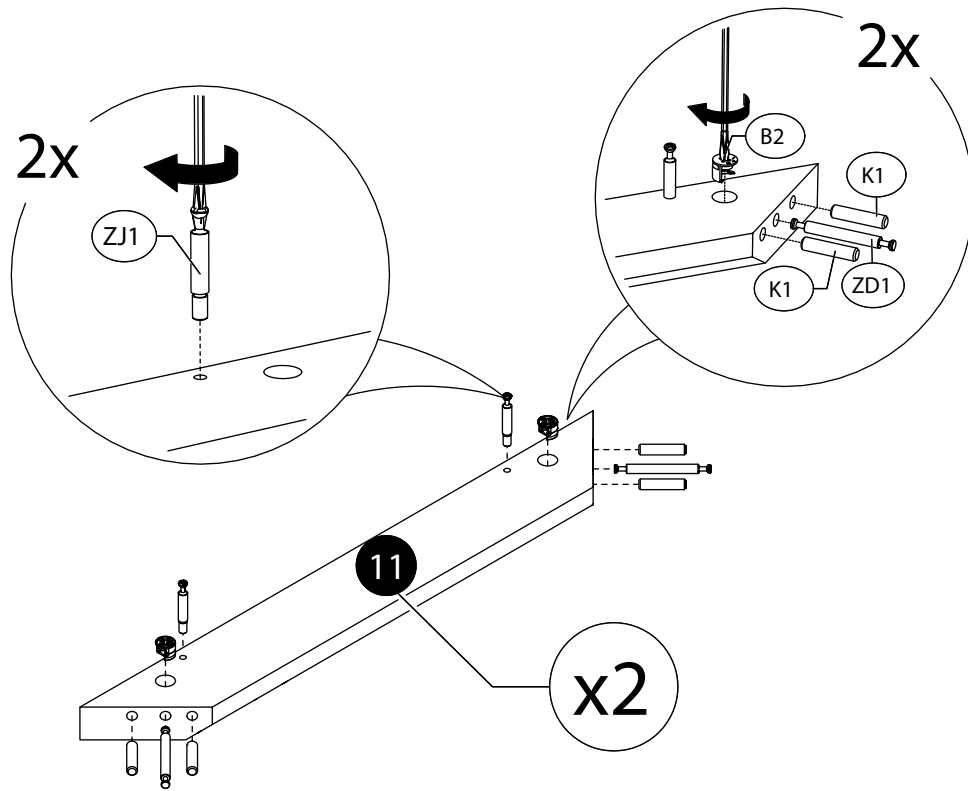
32.



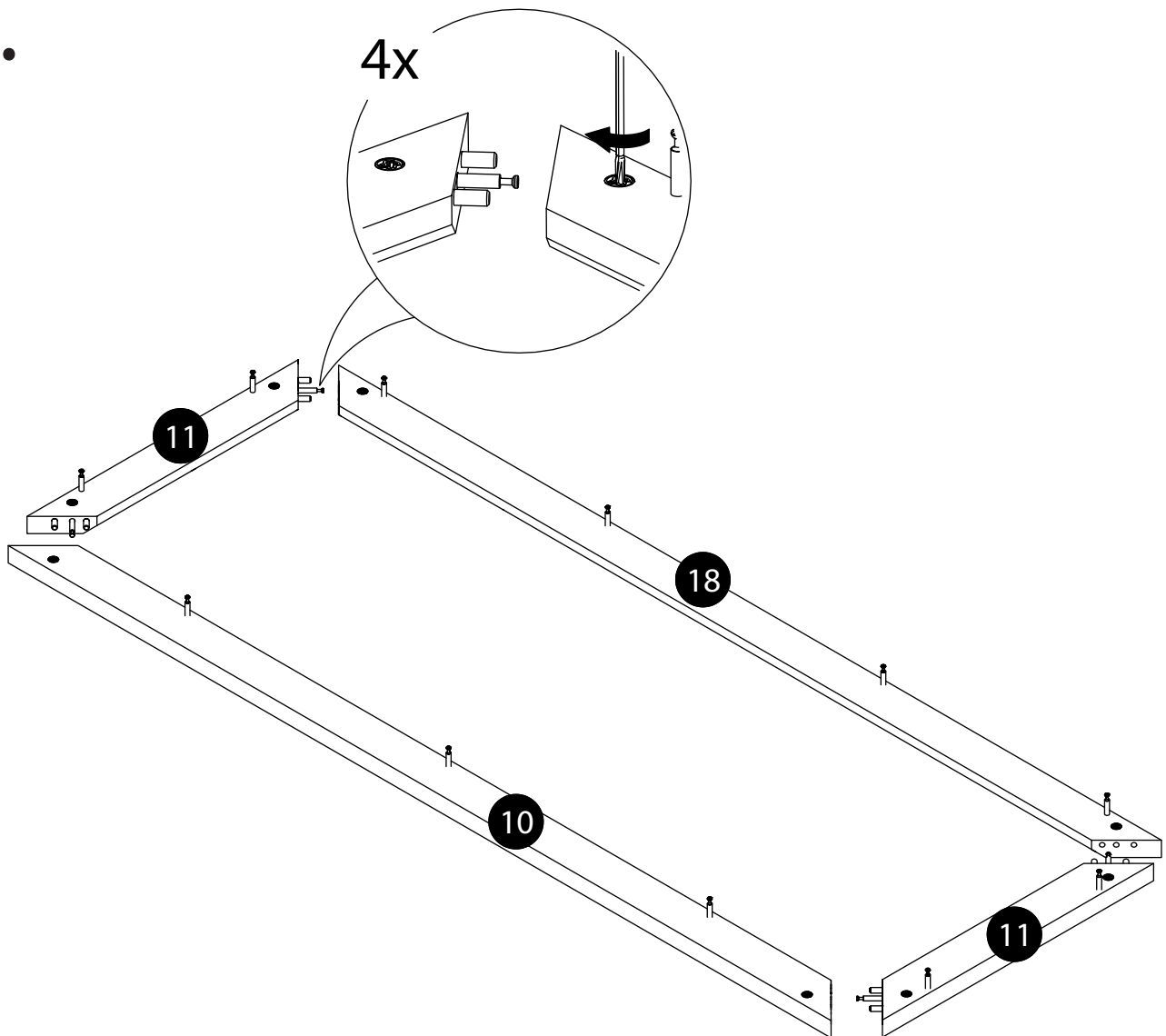
33.



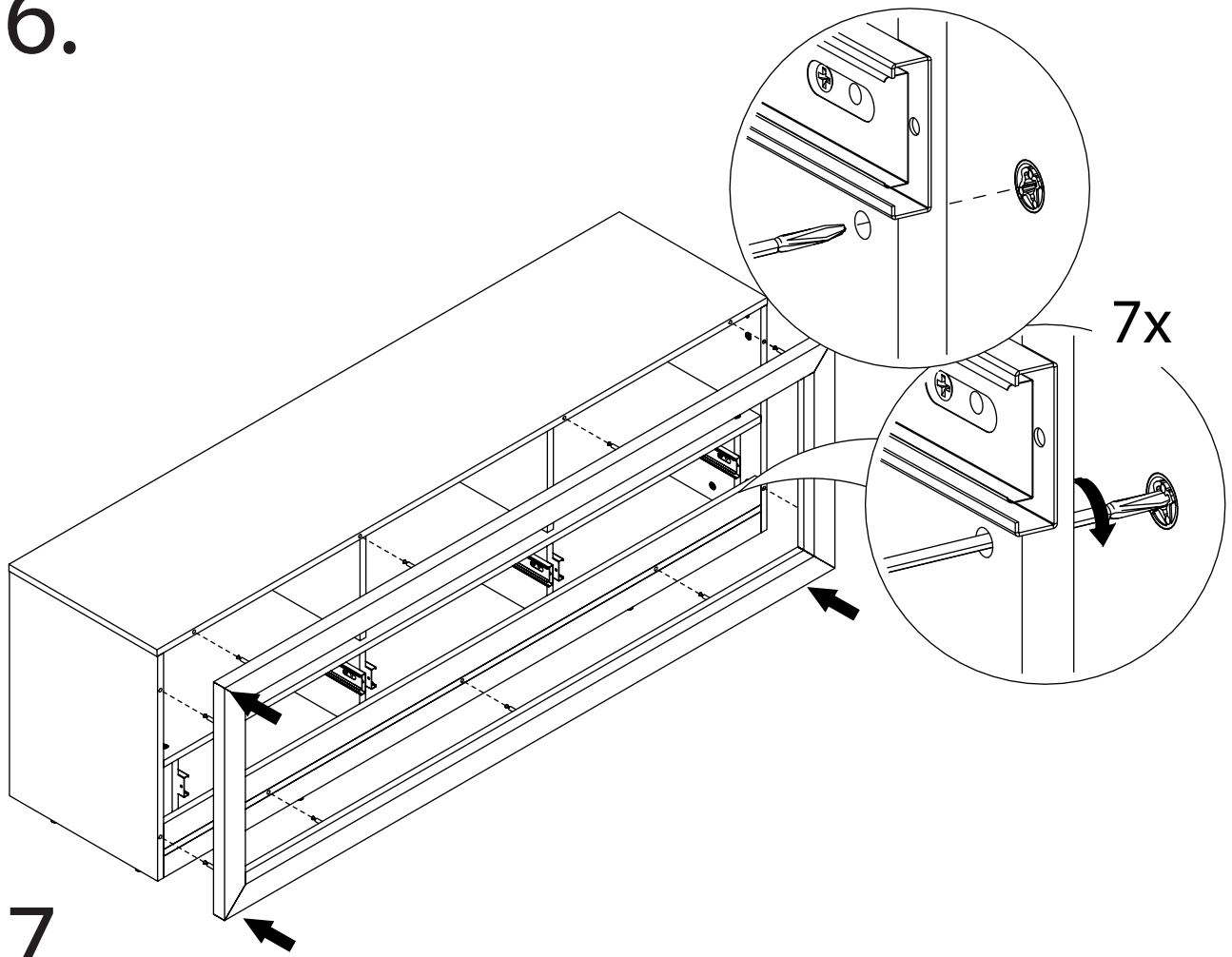
34.



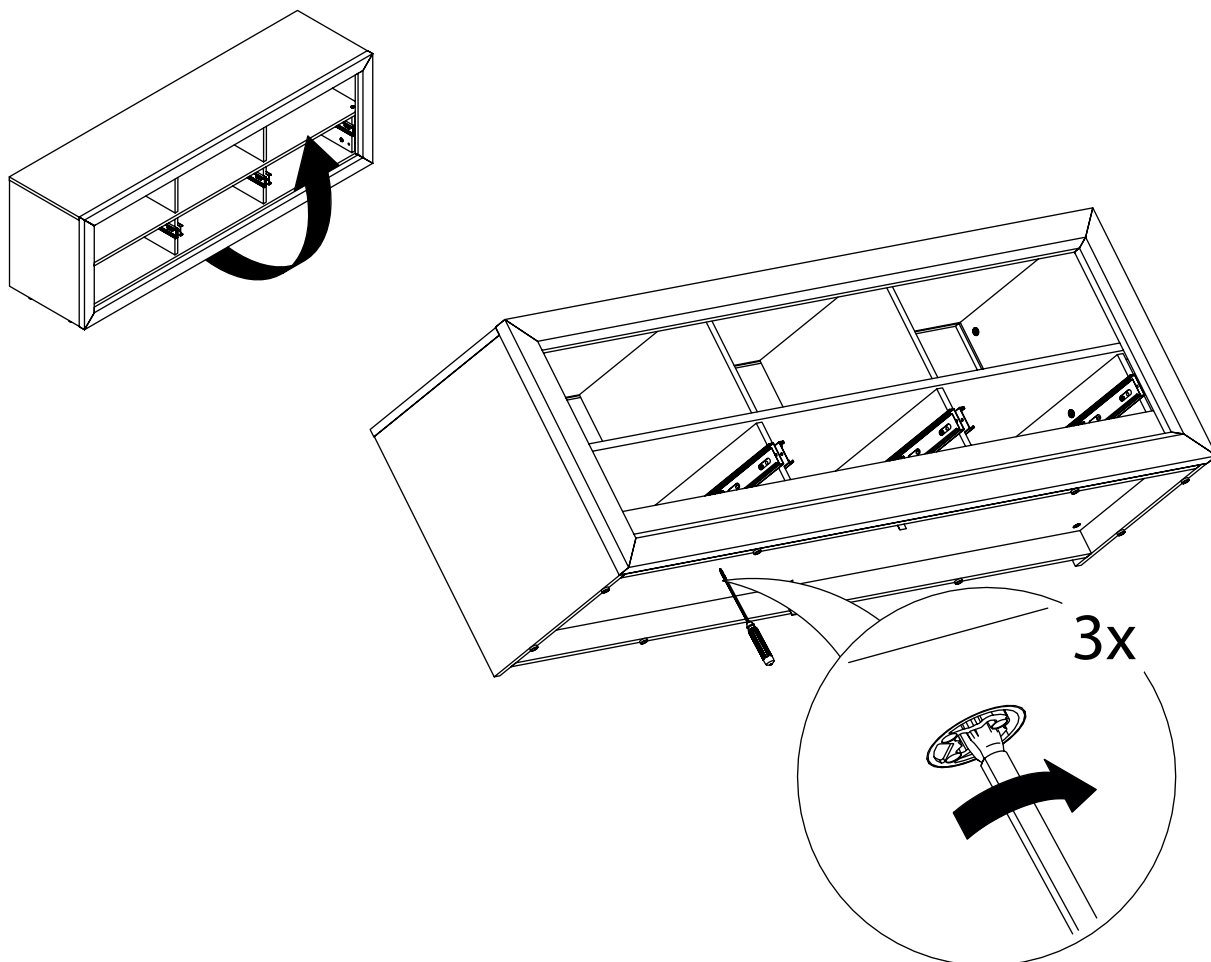
35.



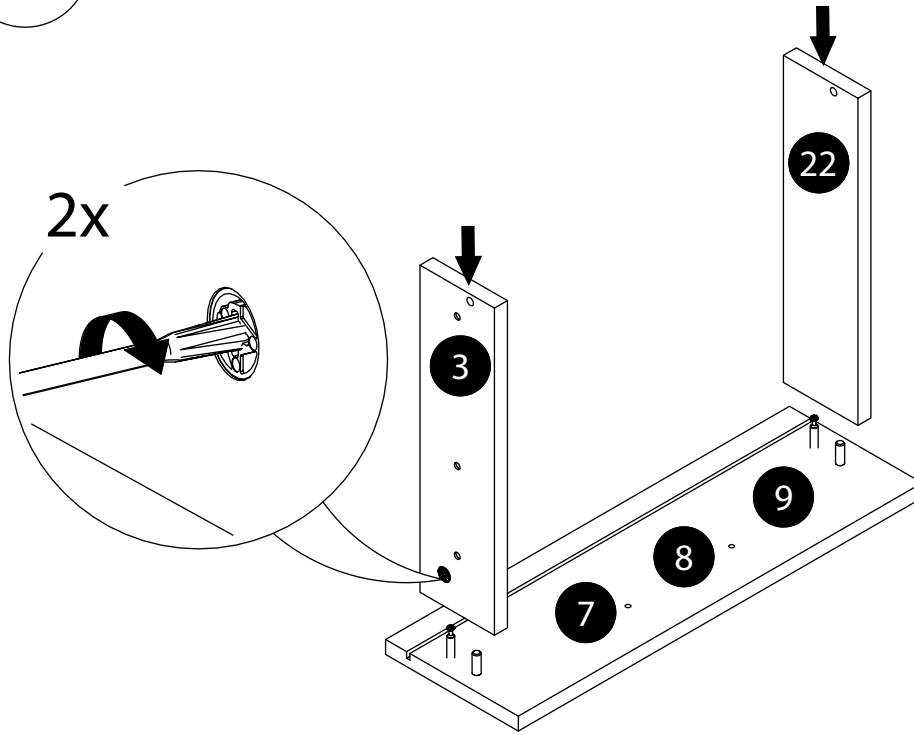
36.



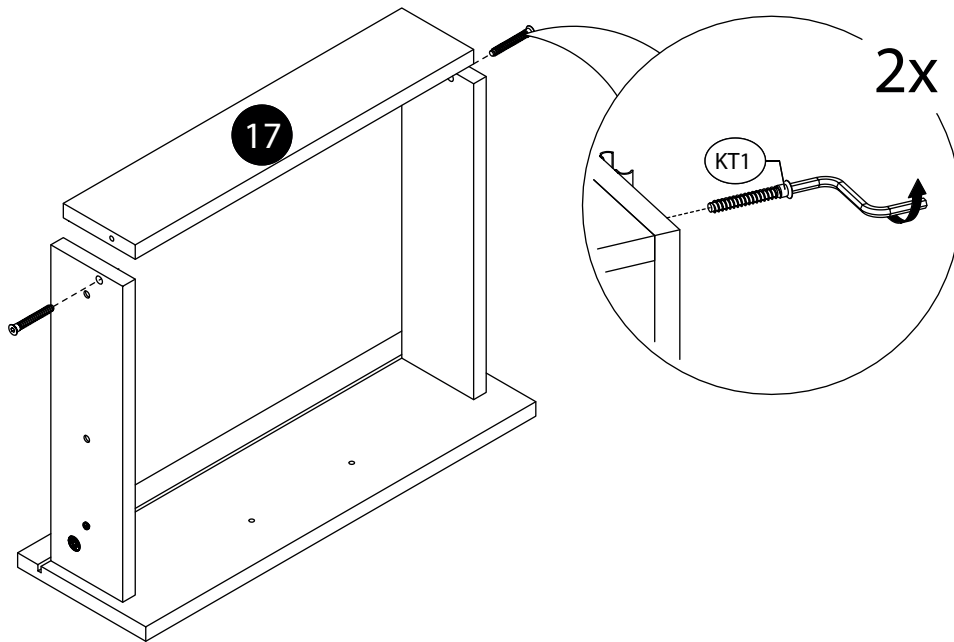
37.



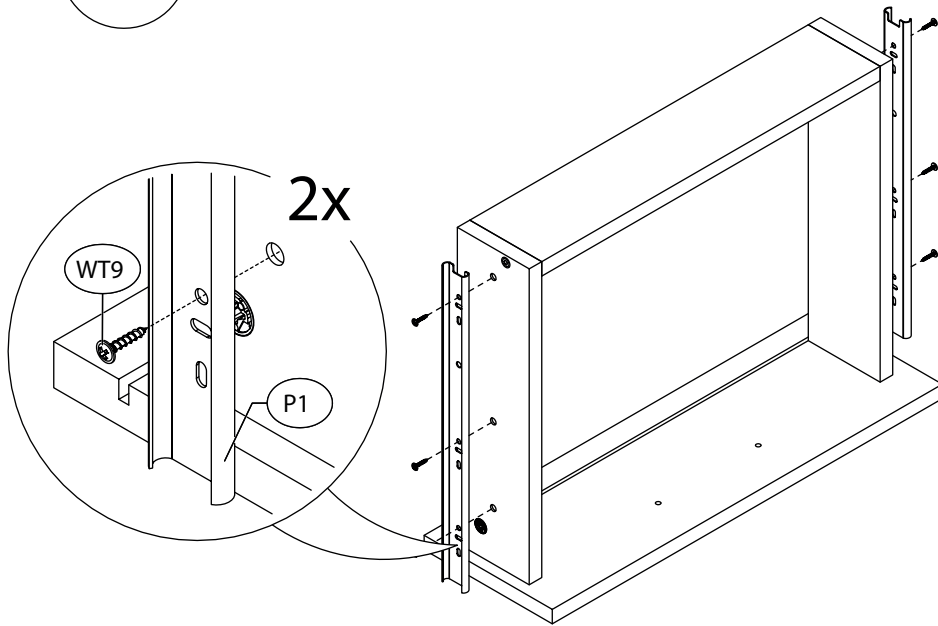
38. (x3)



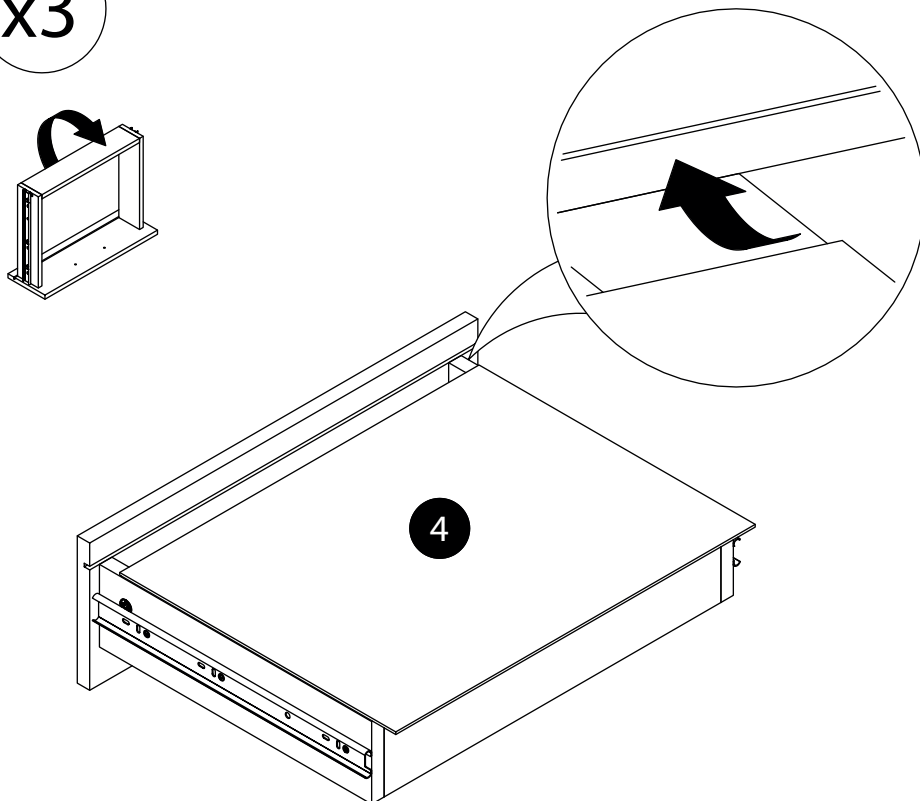
39. (x3)



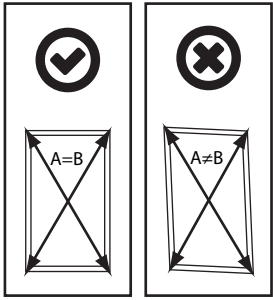
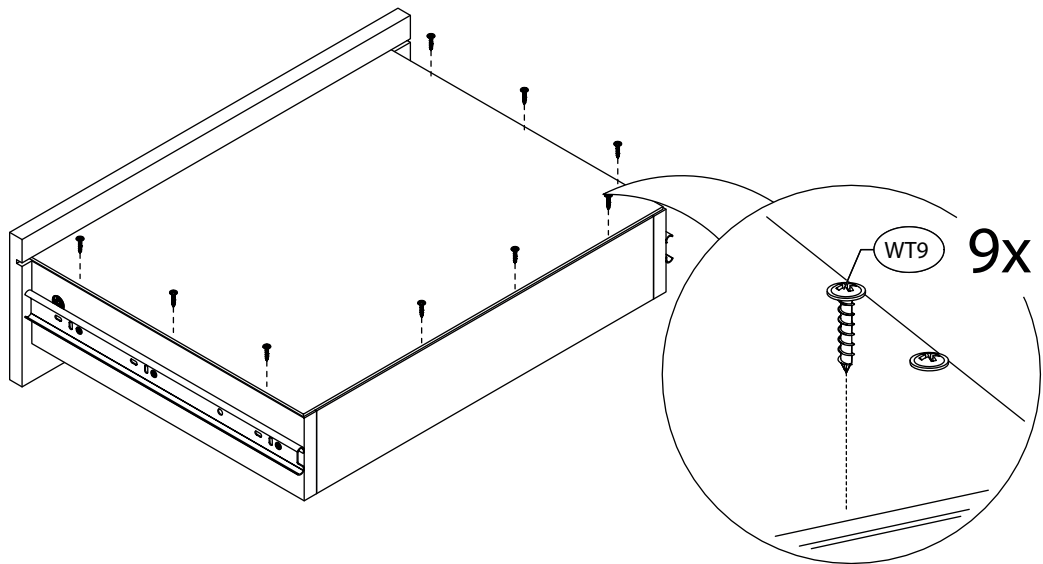
40. (x3)



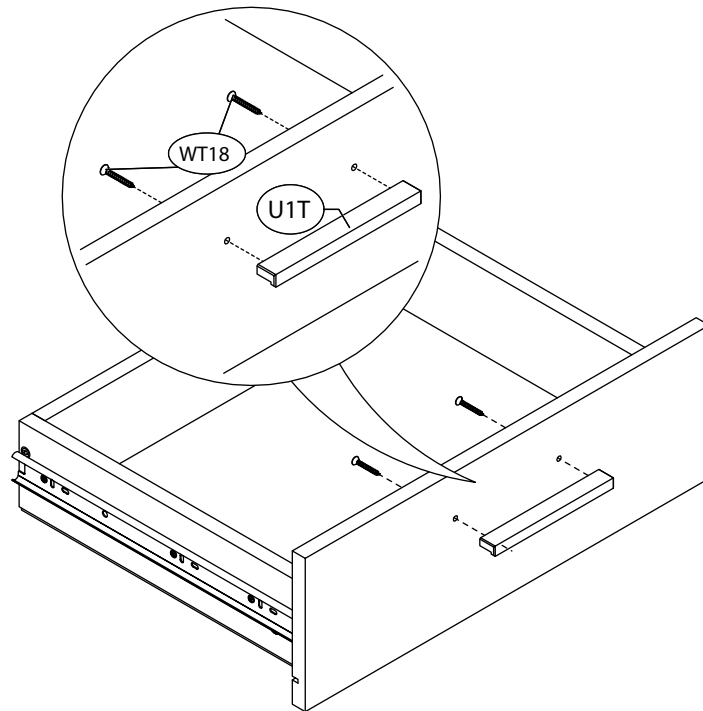
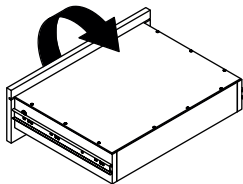
41. (x3)



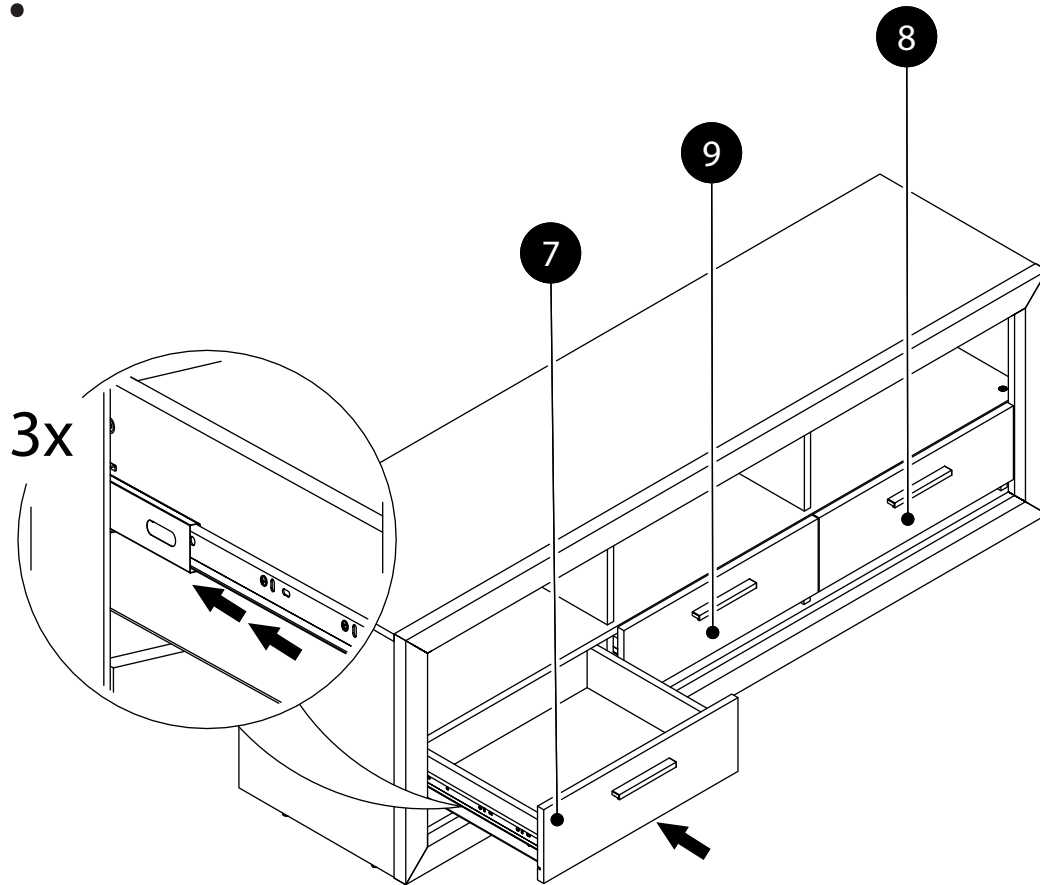
42. (x3)



43. (x3)



44.



45.

