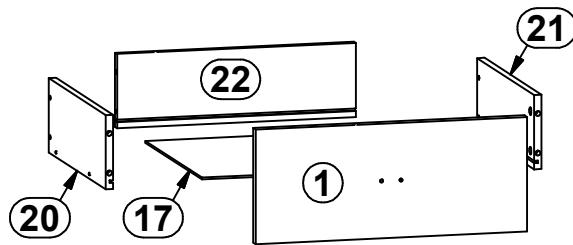
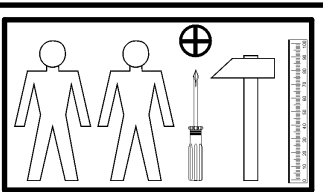
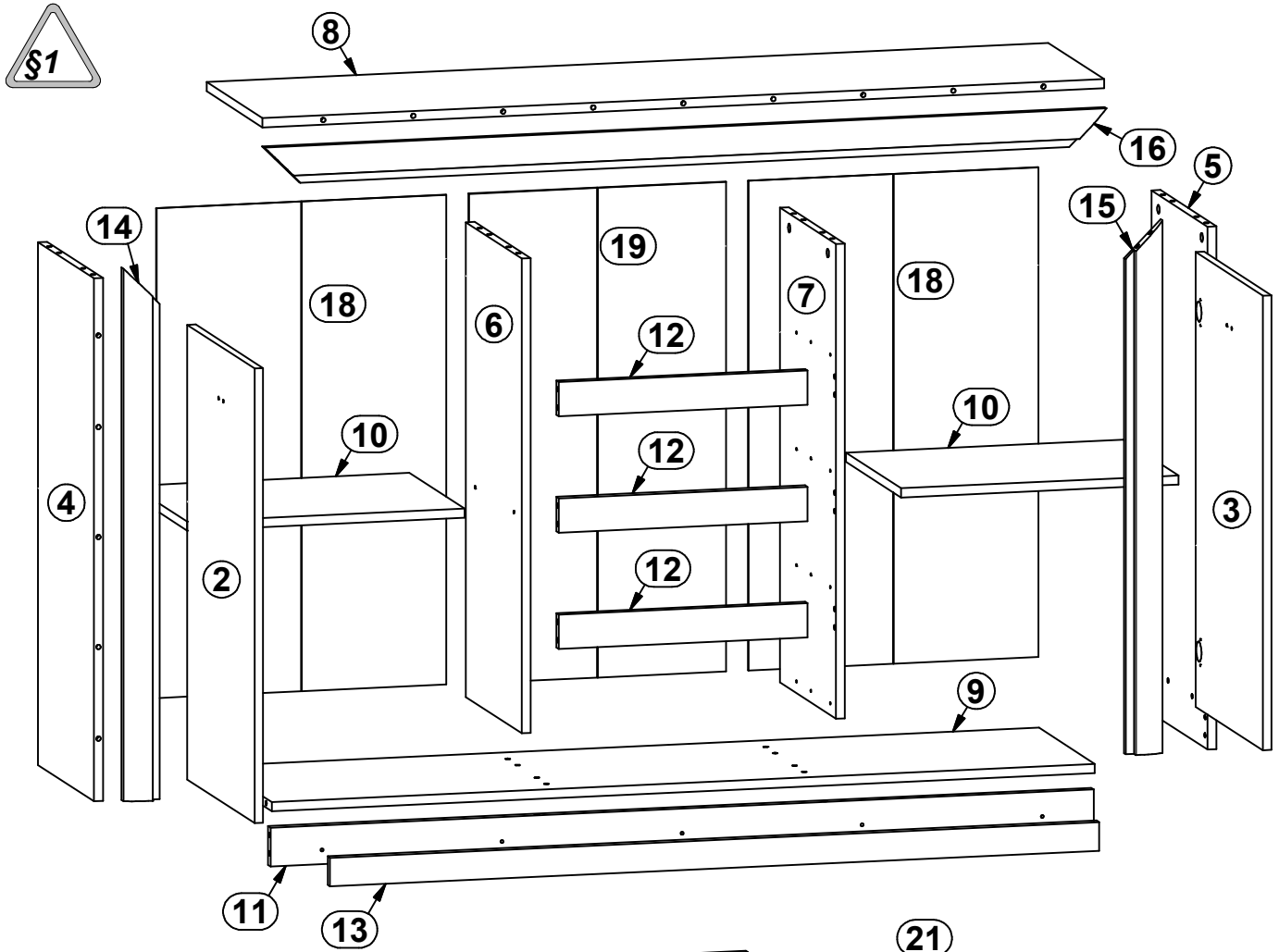
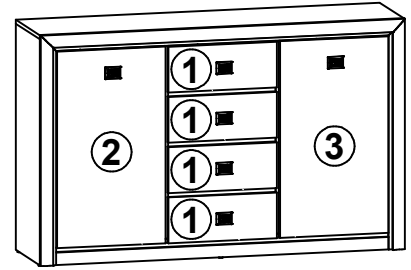


KOEN

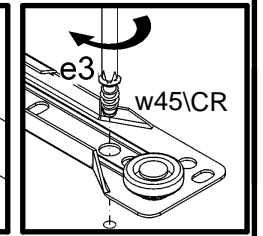
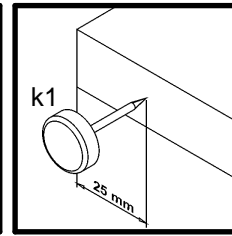
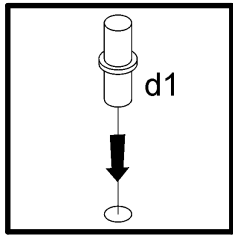
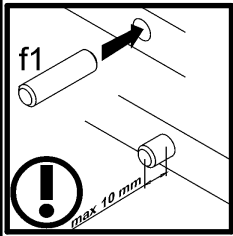
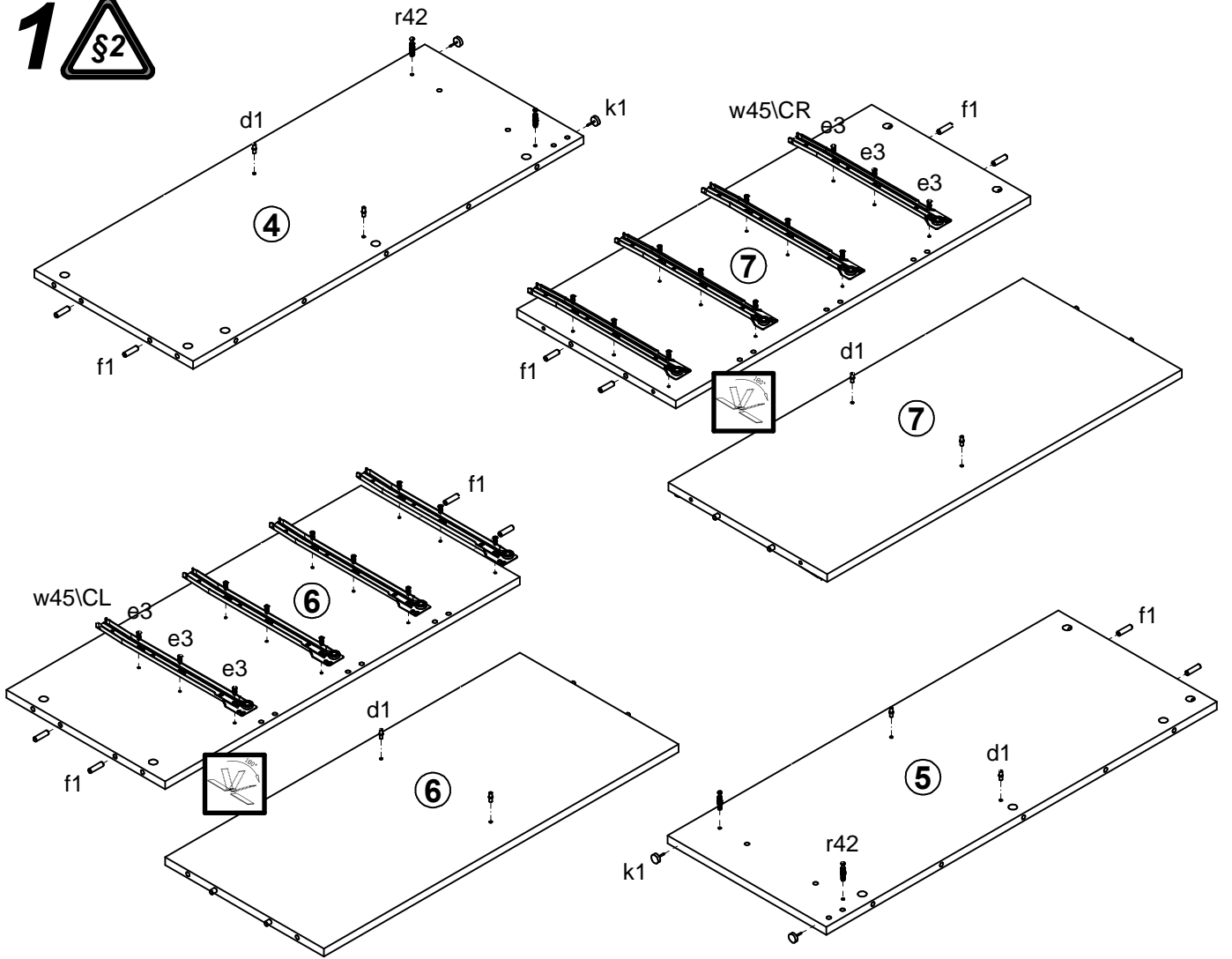
S136-KOM2D4S

A	B	C	D	A	B	C	D		
1	S136-004	446	185	4/4	12	S136-408	442	60	1/4
2	S136-005	794	446	4/4	13	S136-409	1367	50	1/4
3	S136-006	794	446	4/4	14	S136-577	930	65	3/4
4	S136-109	913	371	1/4	15	S136-578	930	65	3/4
5	S136-110	913	371	1/4	16	S136-579	1497	65	3/4
6	S136-111	829	371	1/4	17	S136-905	404	348	1/4
7	S136-112	829	371	1/4	18	S136-906	855	515	1/4
8	S136-203	1496	371	1/4	19	S136-907	855	457	1/4
9	S136-303	1463	371	1/4	20	ZS2-511	350	120	2/4
10	S136-304	493	366	1/4	21	ZS2-512	350	120	2/4
11	S136-407	1463	68	1/4	22	ZS2-5558	393	120	2/4

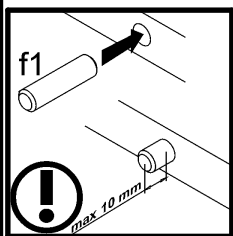
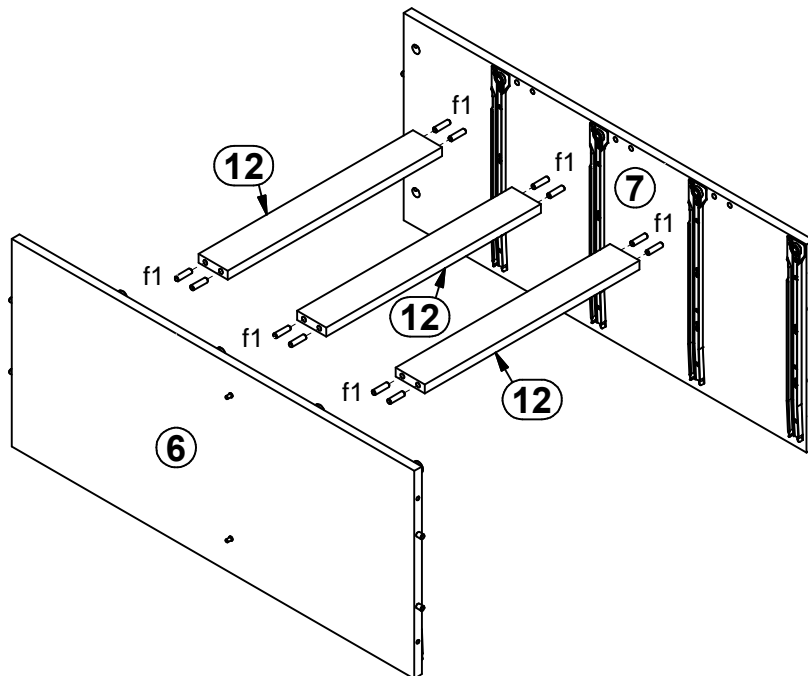


4x a99	4x b43	6x c317	8x d1 φ5x17 mm	4x e1 φ7x50 mm	16x e19 φ5x9 mm	8x e2 φ6,3x13 mm	24x e3 φ6x13 mm	44x f1 φ8x30 mm
16x f25 φ6,5x40 mm	12x j30 M4x22 mm	5x k1	85x l1	8x p51 φ3,5x15 mm	5x p94 φ4x28 mm	27x r1 φ1,5x12mm #16	2x r10	16x r15 φ12x10,5mm #12
39x r42	4x s2 ø16	4x w45 CL 350 mm	4x w45 CR 350 mm	4x w45 DL 350 mm	4x w45 DR 350 mm	1x z1	1x n26 1	1x p38 φ3,5x16 mm

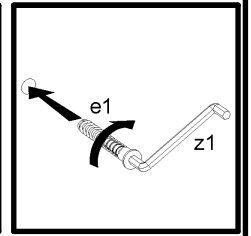
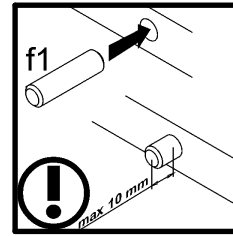
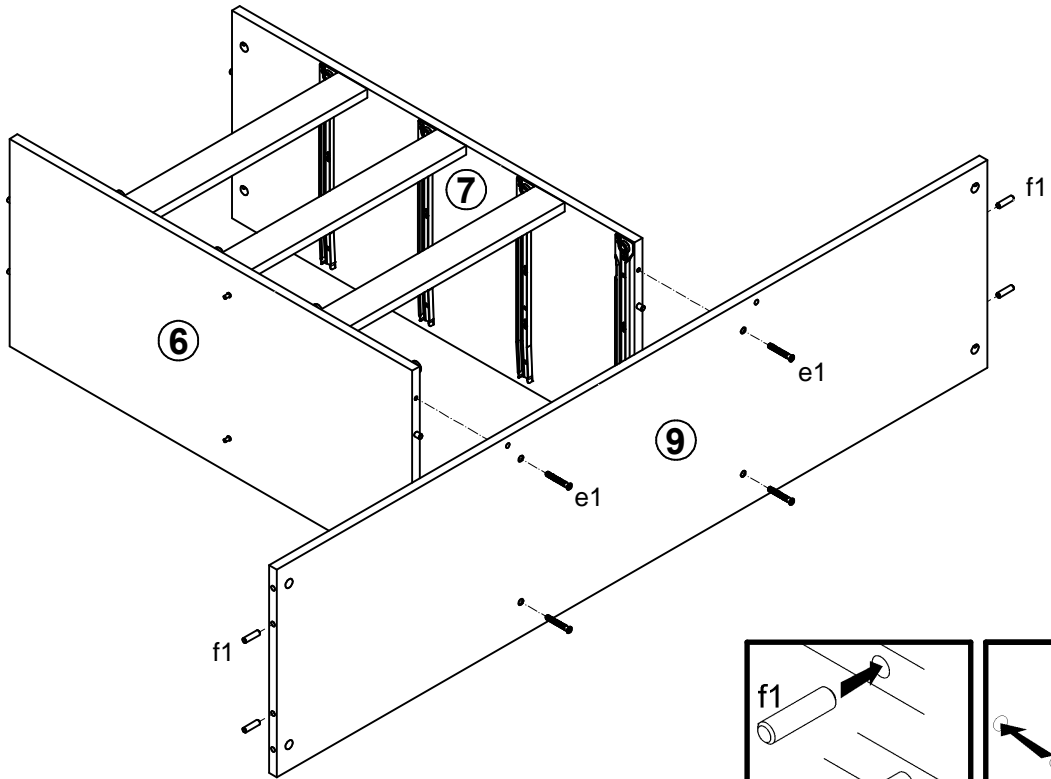
1



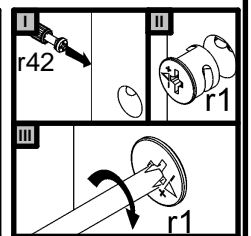
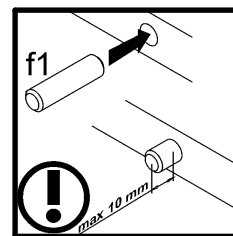
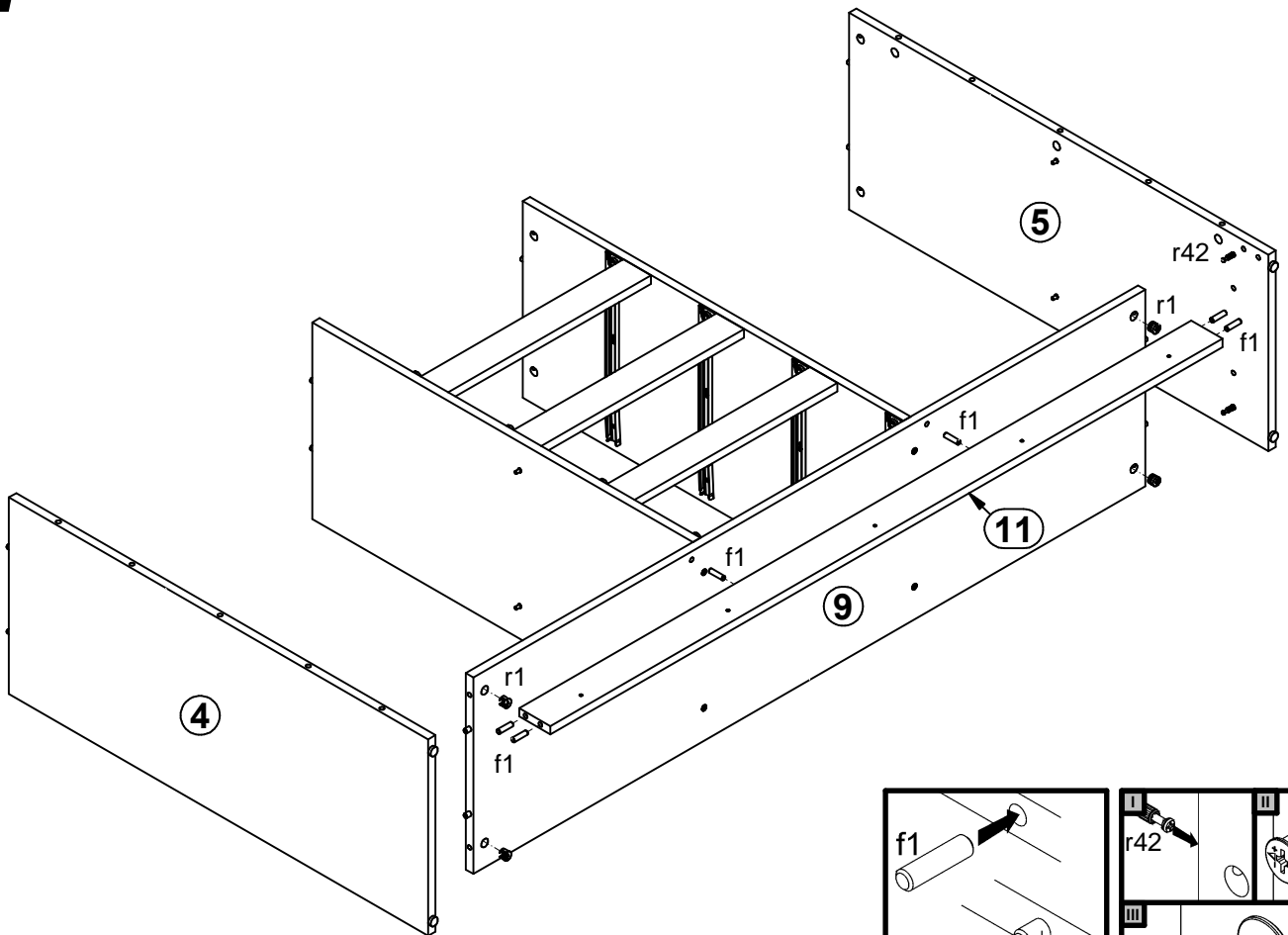
2



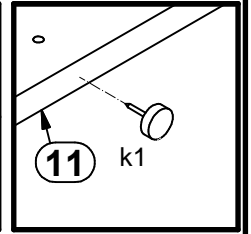
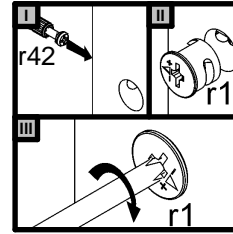
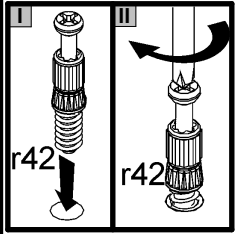
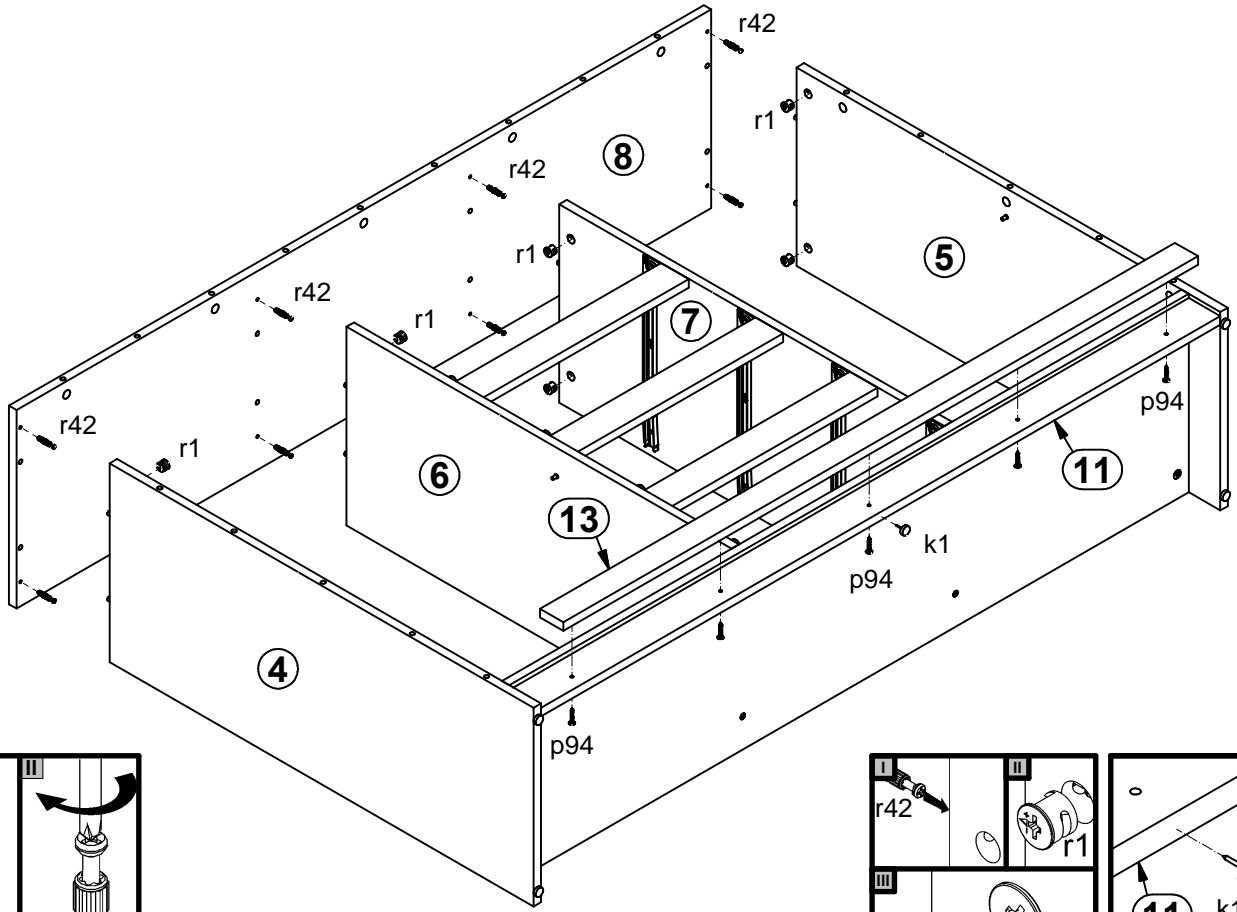
3



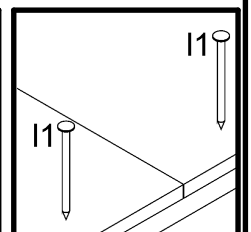
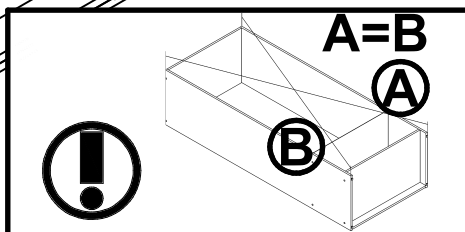
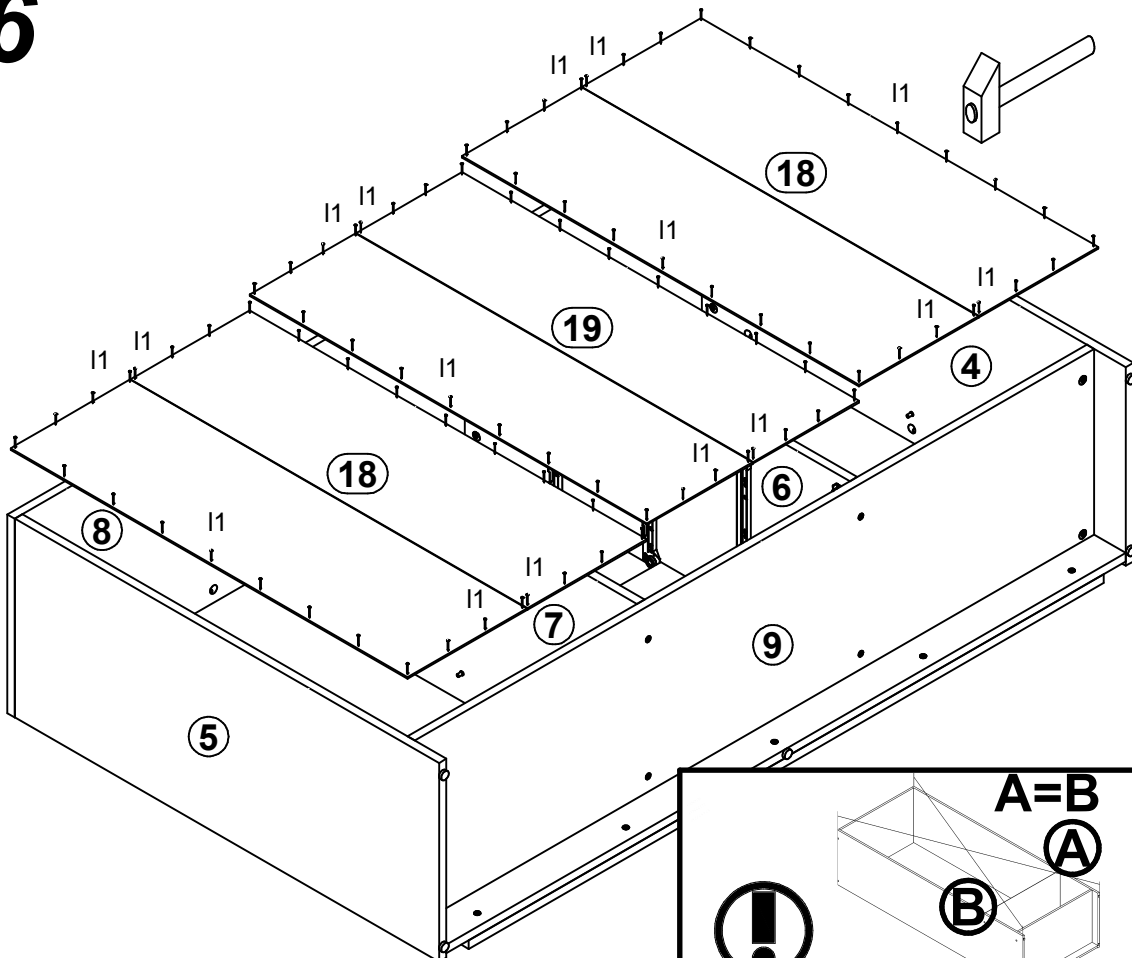
4



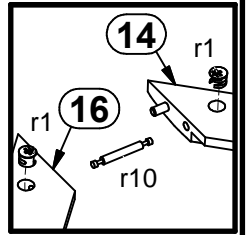
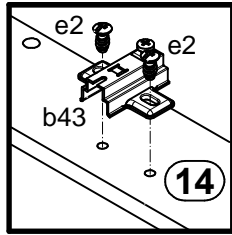
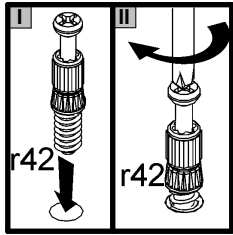
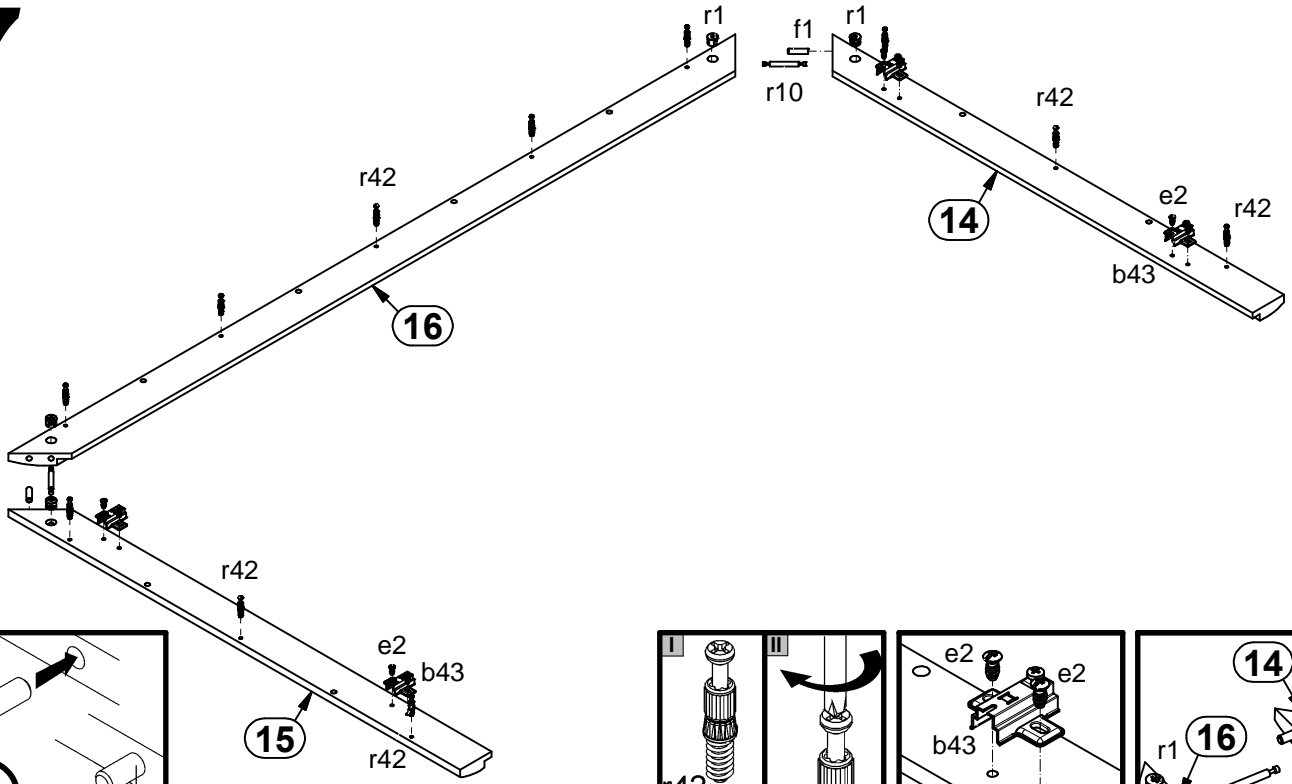
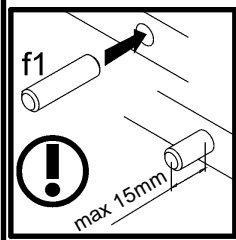
5



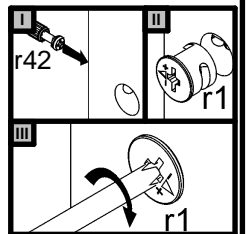
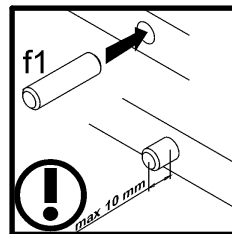
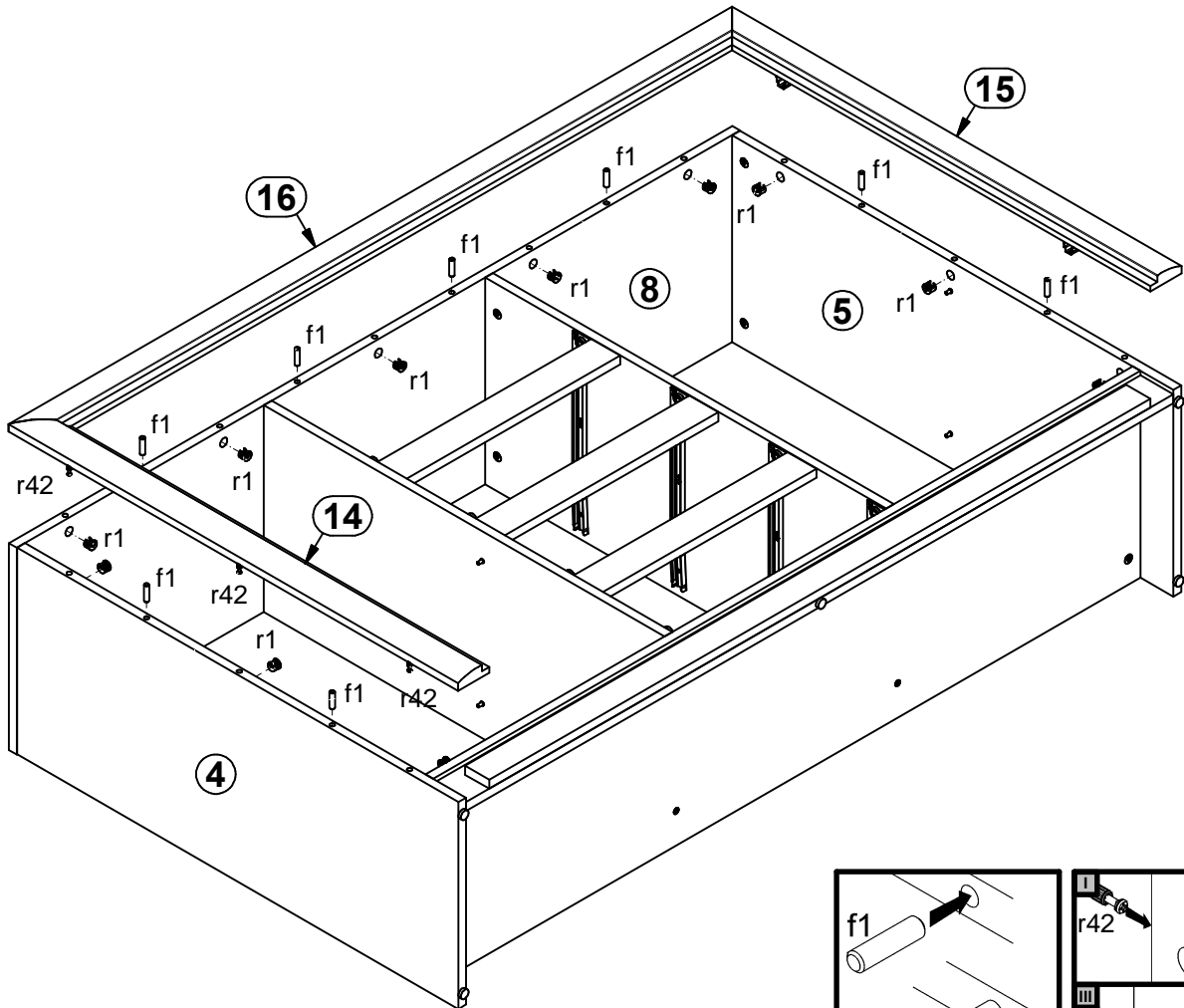
6



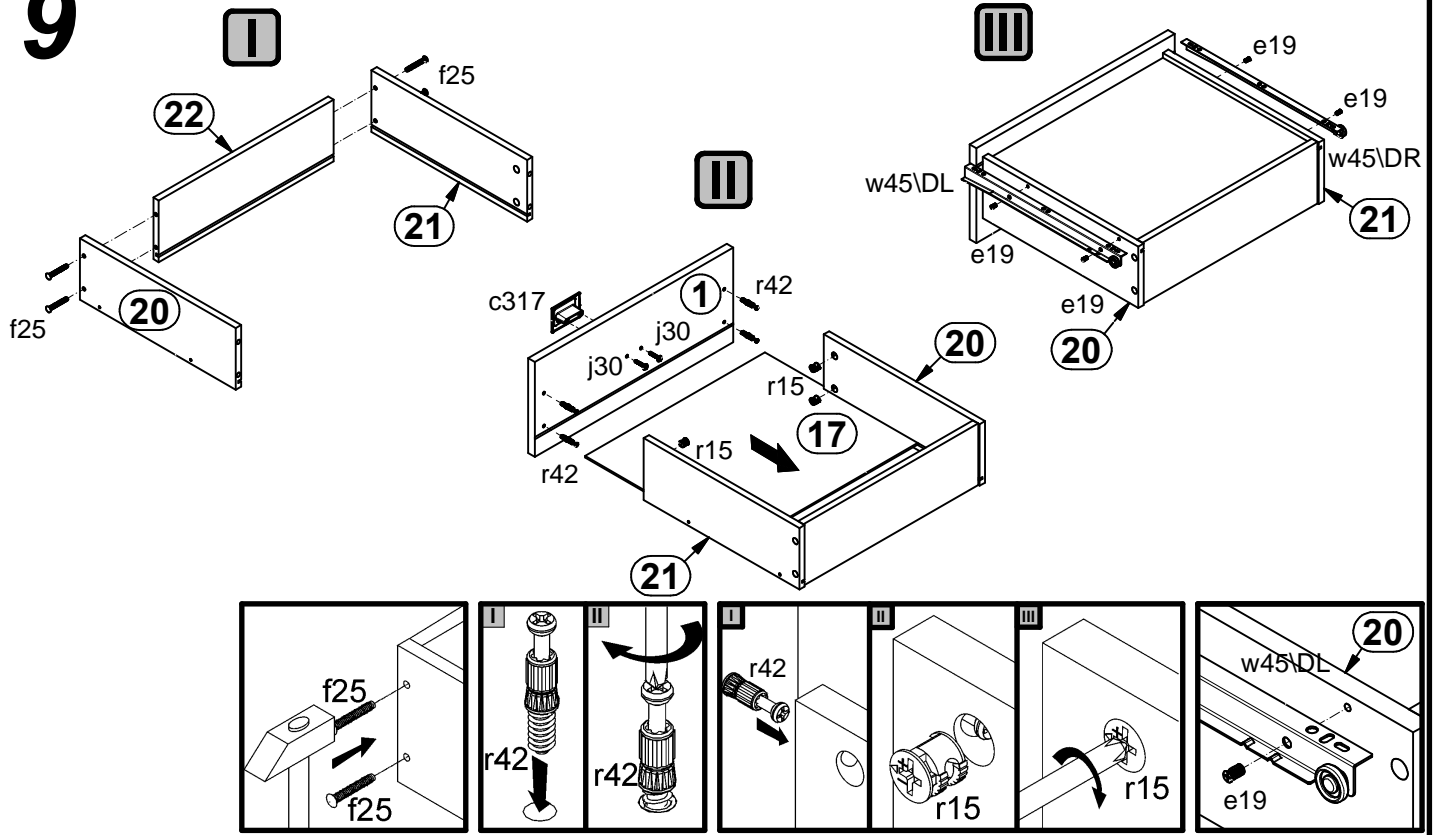
7



8



9



10

