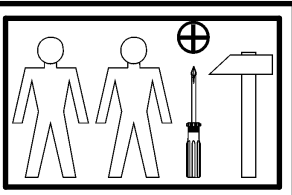
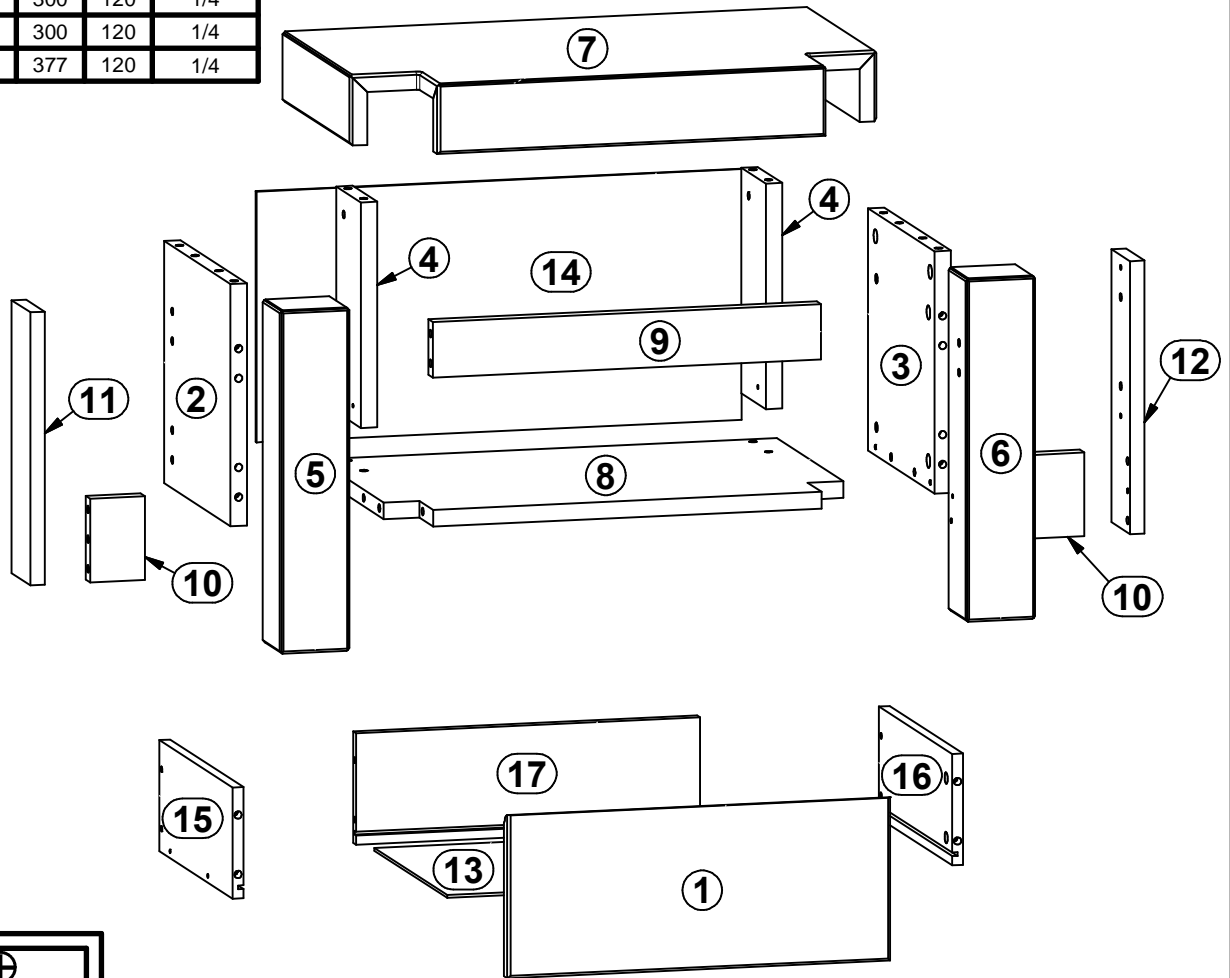
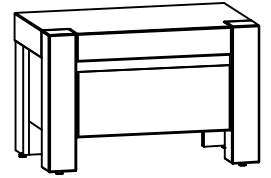
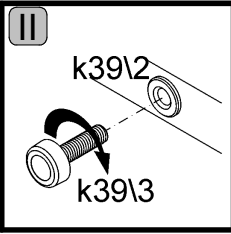
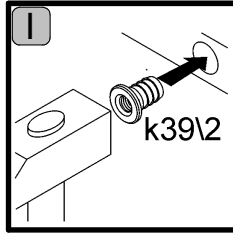
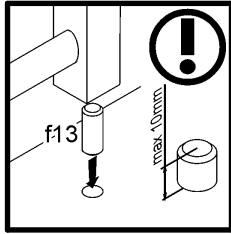
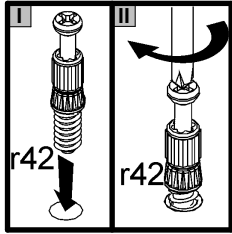
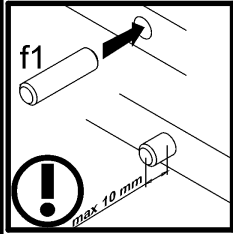
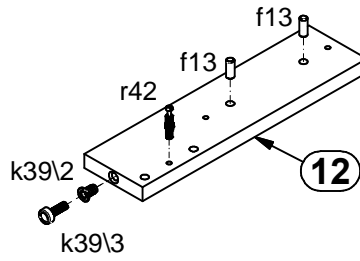
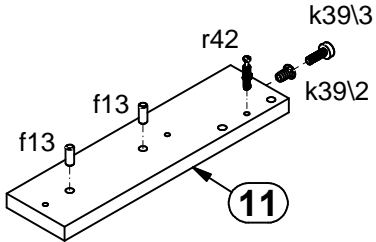
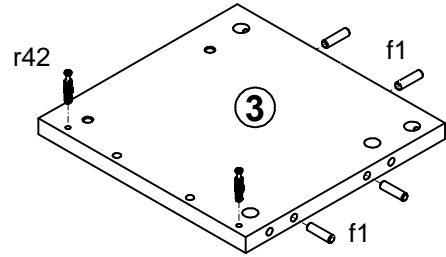
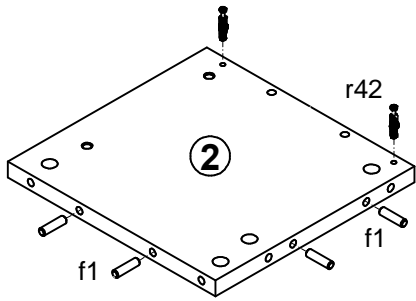


A	B	C	D	
1	S83-014	420	176	4/4
2	S83-126	261	272	1/4
3	S83-127	261	272	1/4
4	S83-128	243	100	1/4
5	S83-1571	370	76	3/4
6	S83-1572	370	76	3/4
7	S83-207	578	352	2/4
8	S83-313	504	329	2/4
9	S83-406	426	60	2/4
10	S83-575	90	60	3/4
11	S83-598	294	76	3/4
12	S83-599	294	76	3/4
13	S83-914	388	298	1/4
14	S83-915	270	532	2/4
15	ZS1-545	300	120	1/4
16	ZS1-546	300	120	1/4
17	ZS1-6541	377	120	1/4

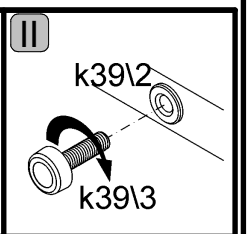
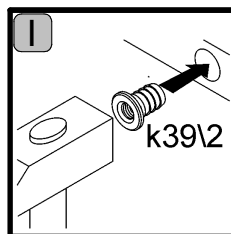
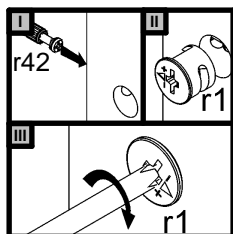
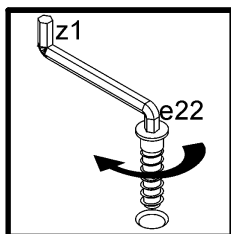
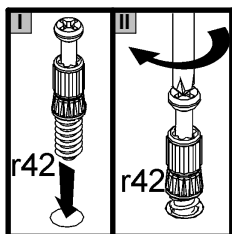
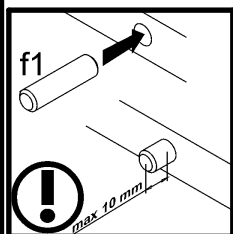
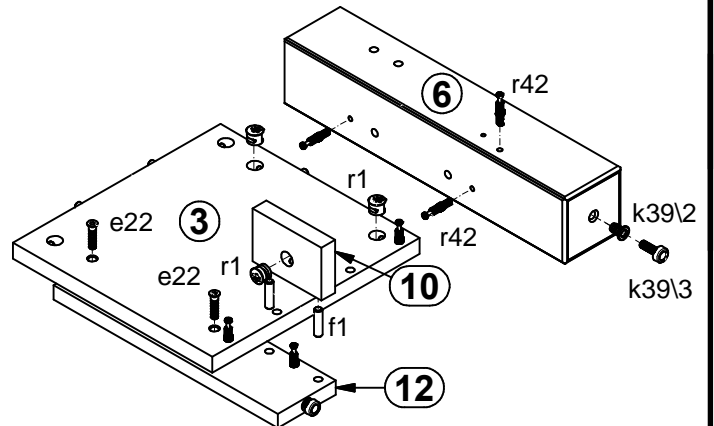
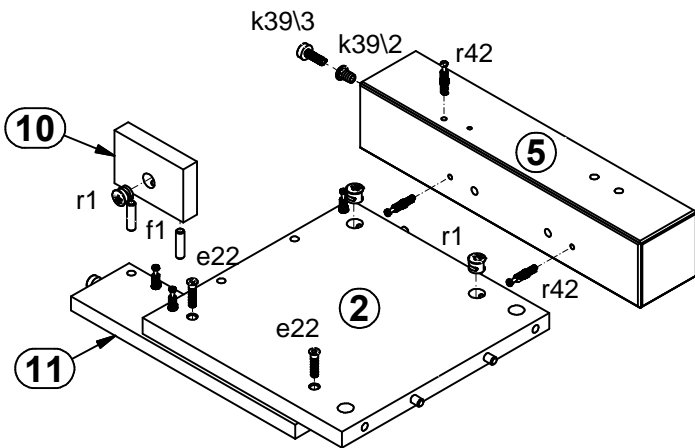


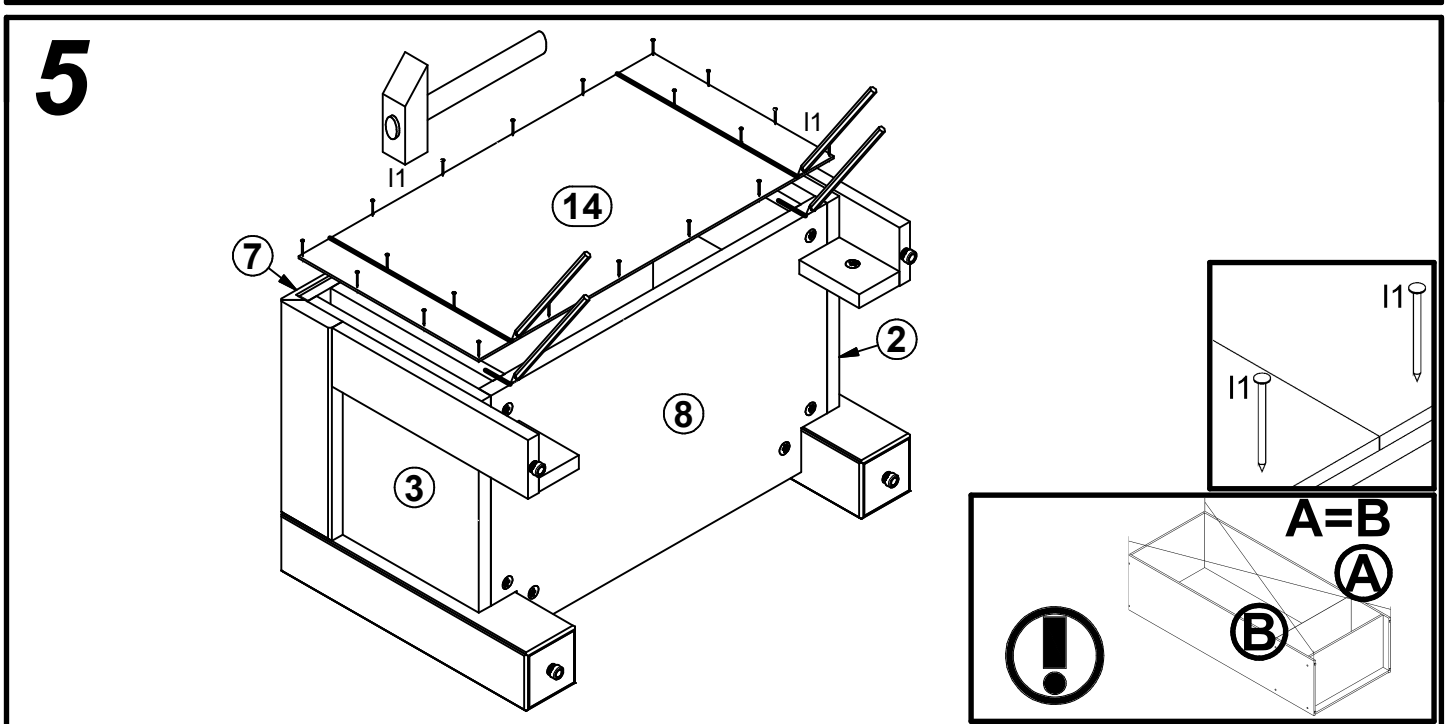
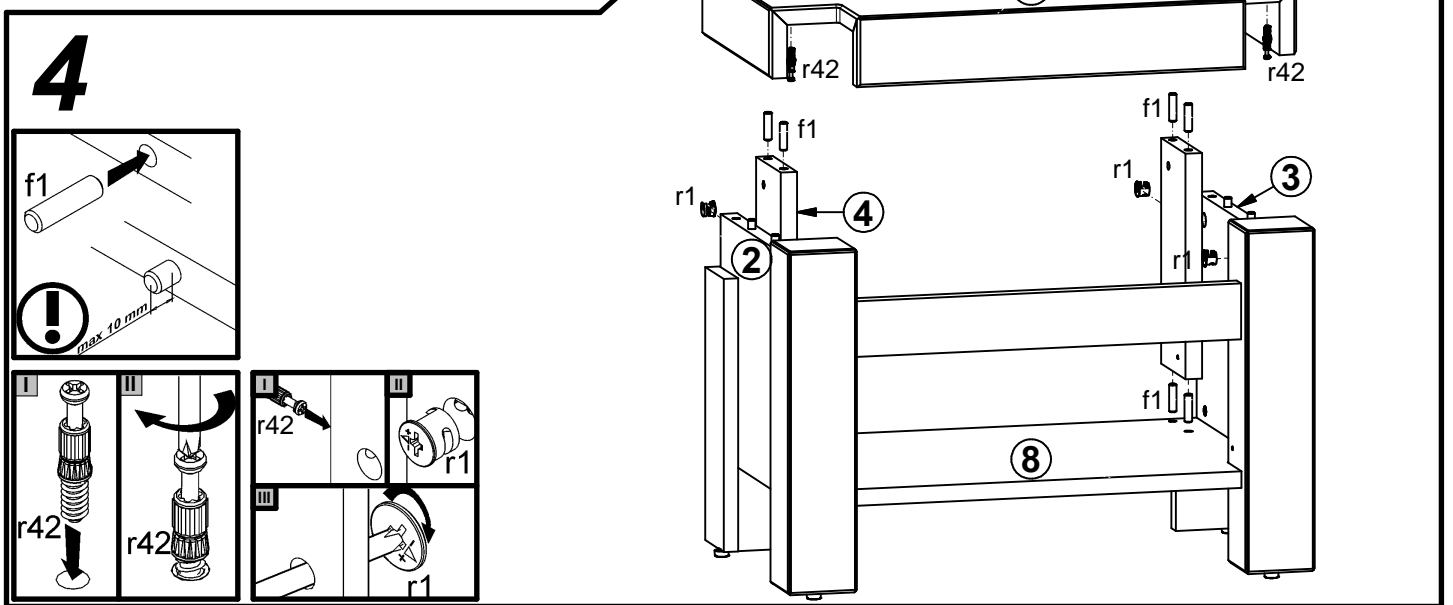
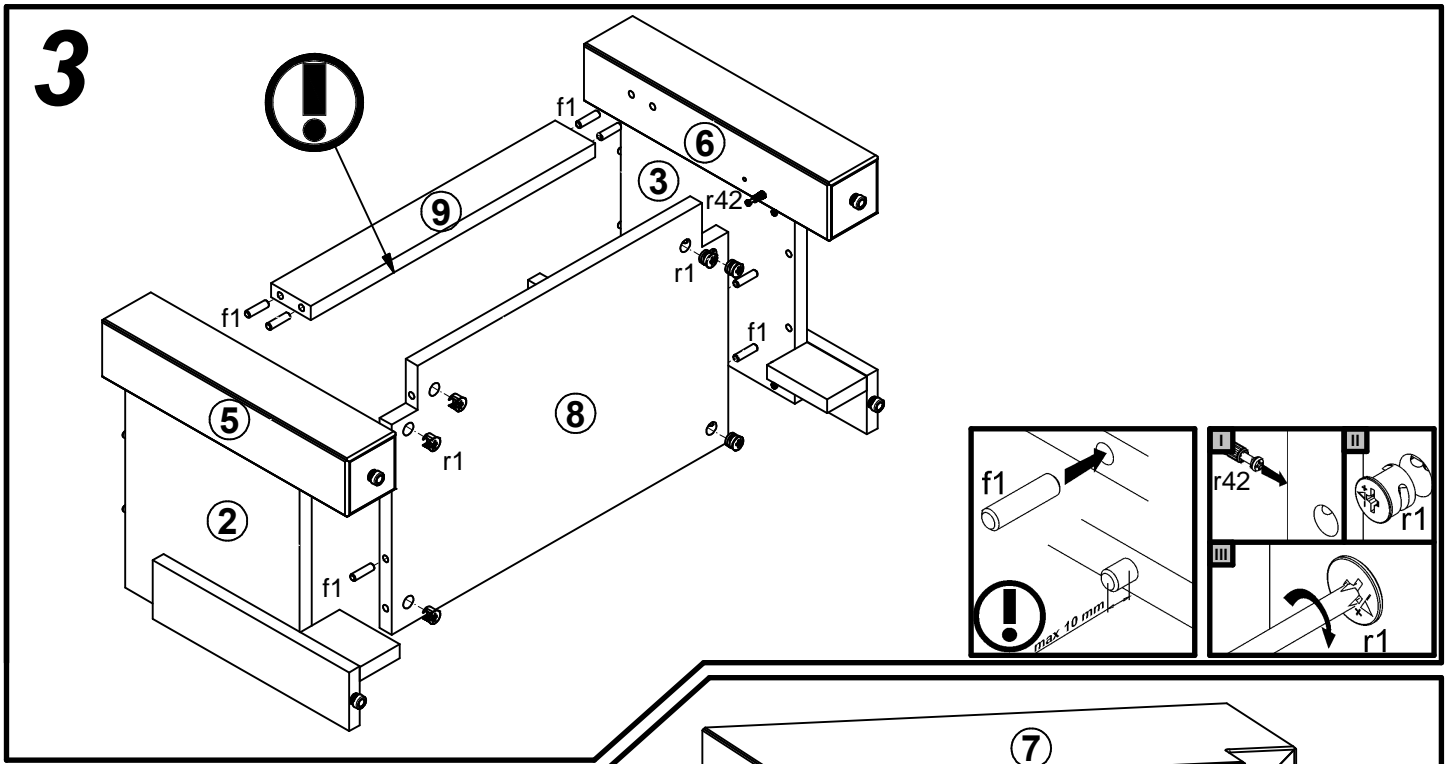
4x  φ5x9 mm <b>e19</b>	4x  φ7x28 mm <b>e22</b>	4x  φ6x13 mm <b>e3</b>	28x  φ8x30 mm <b>f1</b>	4x  φ8x20 mm <b>f13</b>	4x  φ6.5x40 mm <b>f25</b>	4x  M6/φ8x14 mm <b>k39/2</b>	4x  M6/22mm <b>k39/3</b>	20x  <b>l1</b>
16x  φ15x12mm #16 <b>r1</b>	4x  φ12x10.5mm #12 <b>r15</b>	20x  <b>r42</b>	1x  300 mm <b>w37/CL</b>	1x  300 mm <b>w37/CR</b>	1x  300 mm <b>w37/DL</b>	1x  300 mm <b>w37/DR</b>	1x  <b>z1</b>	

# 1

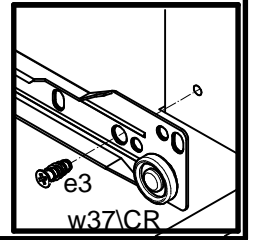
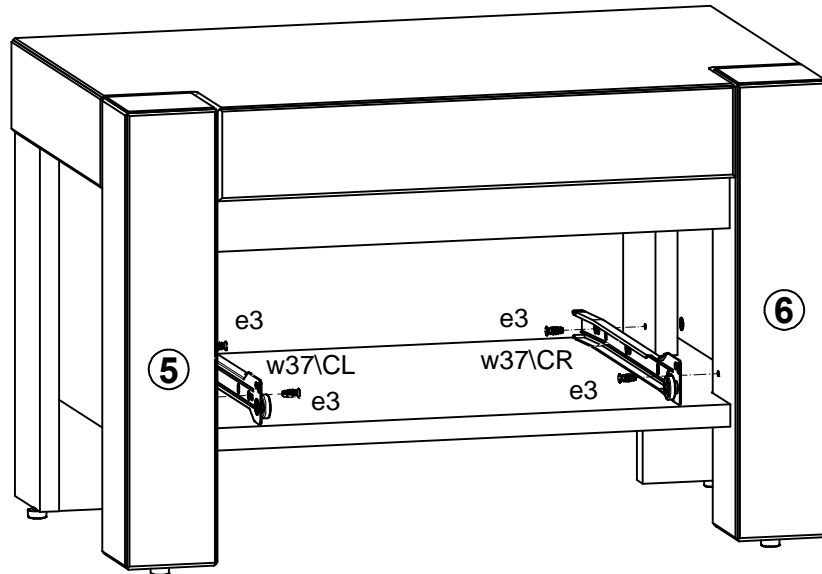


# 2





# 6



# 7

