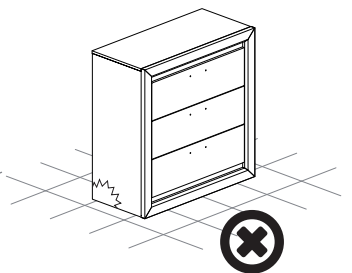
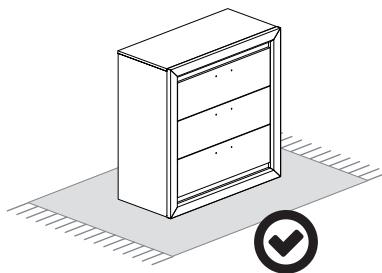
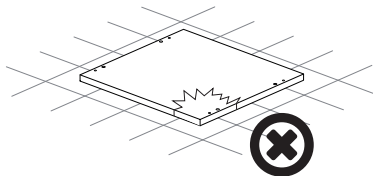
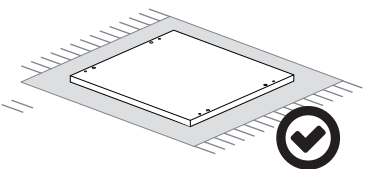
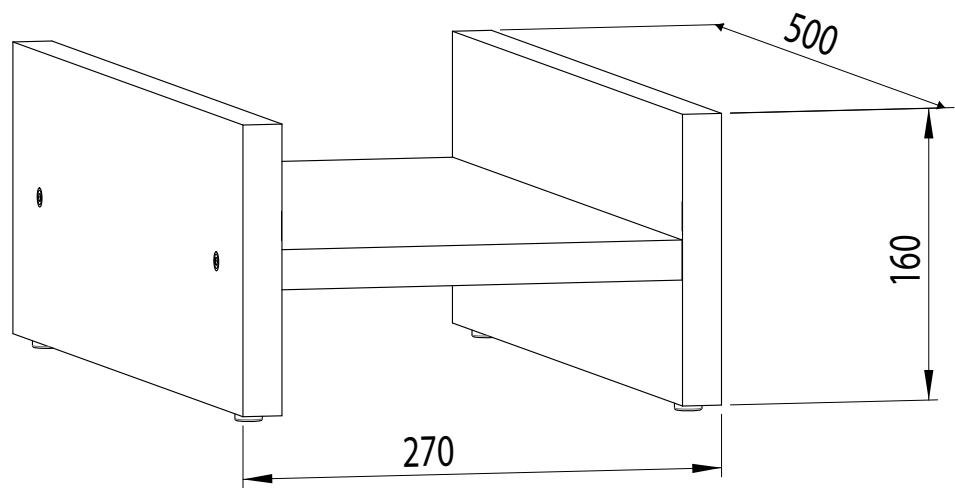
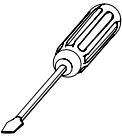
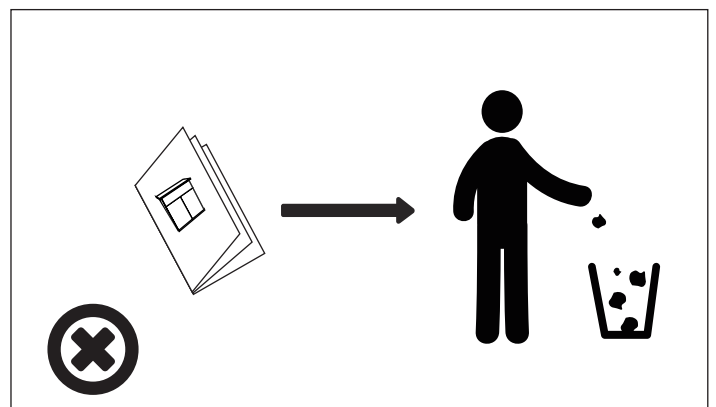
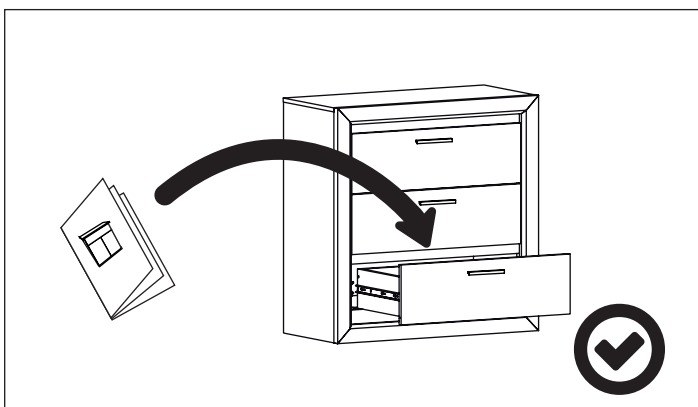
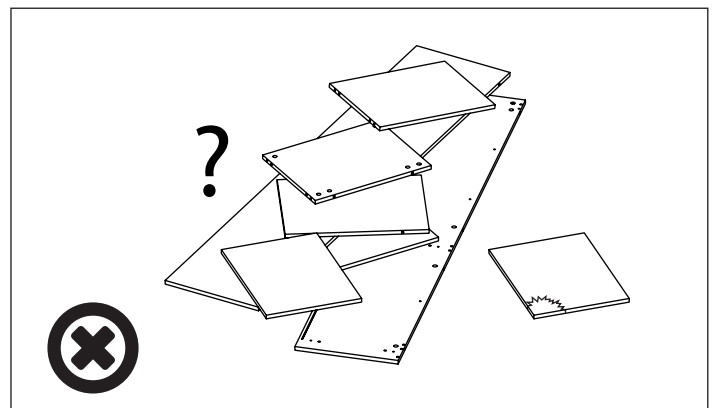
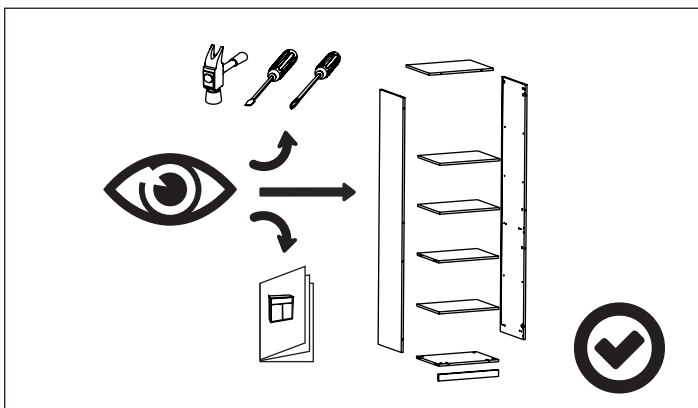
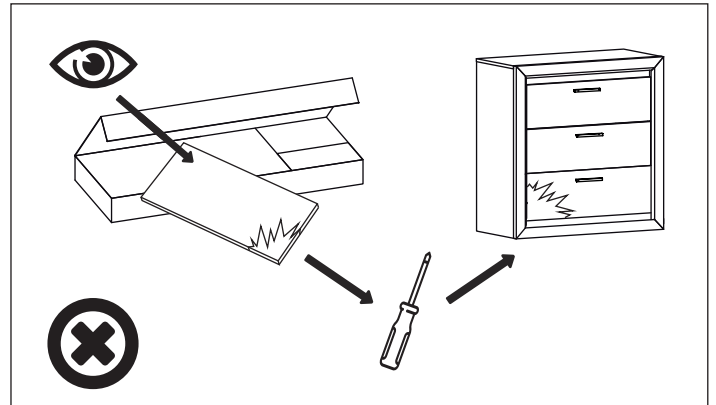
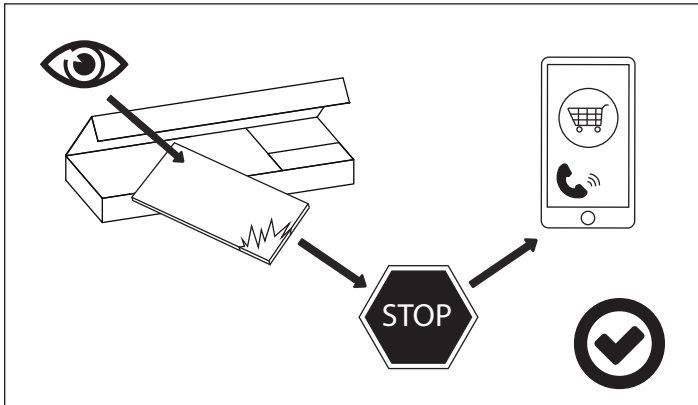
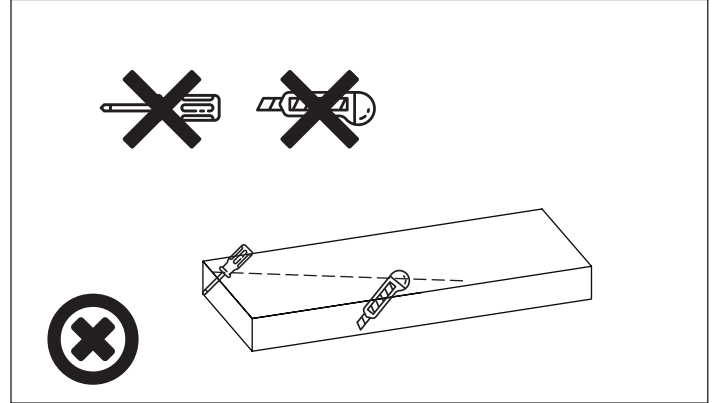
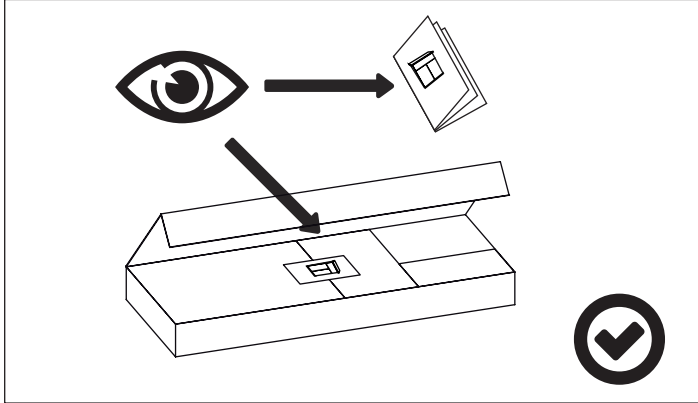
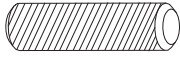
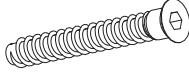
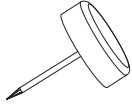




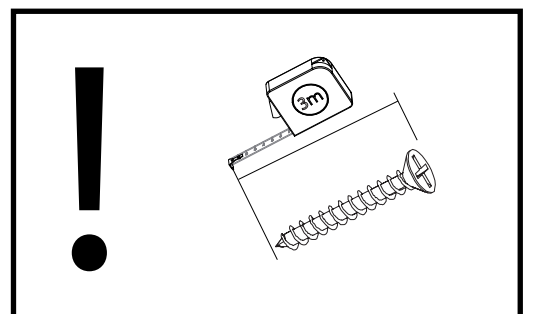
# OPTIMAL 27

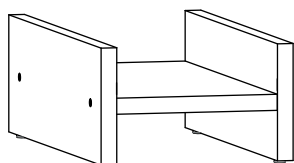







# OPTIMAL 27

<p>K1 x 4</p> 	<p>KT1 x 4 6,3x50</p> 	<p>SG1 x 4</p> 
<p>ZS1 x 4</p> 	<p>x 1</p> 	





	CODE			
①	OPTIMAL27_02	226	498	1
②	OPTIMAL27_01	500	160	2
③				
④				
⑤				

