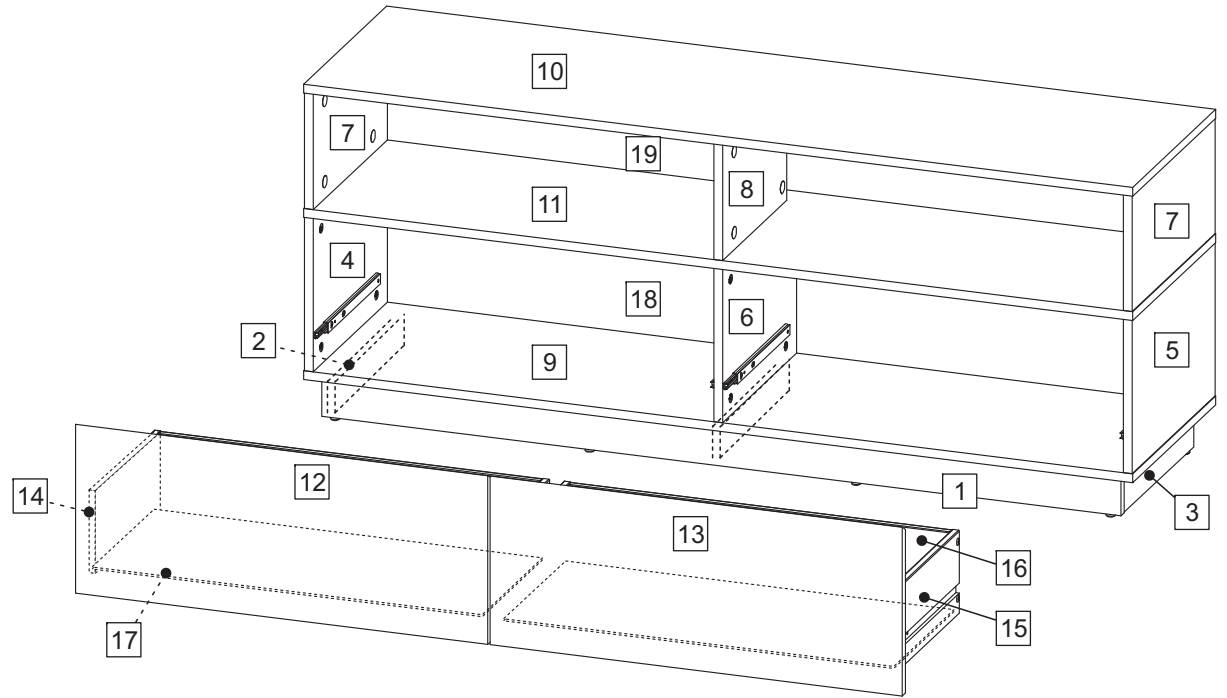


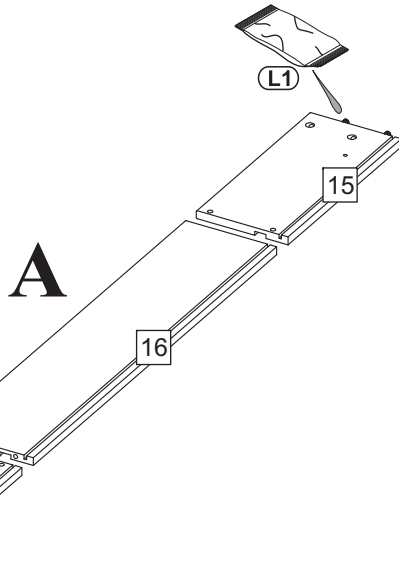
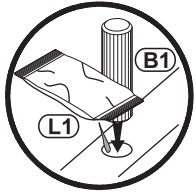
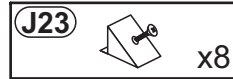
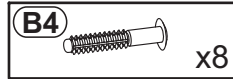
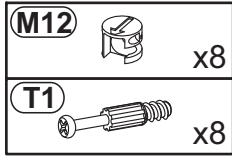
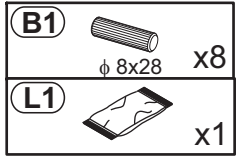
Nr	Ausmaß			St
1	1350	64	15	1
2	325	64	15	1
3	325	64	15	2
4	259	384	15	1
5	259	384	15	1
6	259	343	15	1
7	195	384	15	2
8	195	297	15	1
9	1400	385	15	1
10	1400	385	15	1
11	1400	385	15	1
12	696	285	15	1
13	696	285	15	1
14	300	140	12	2
15	300	140	12	2
16	644	140	12	2
17	655	299	2	2
18	1382	270	2	1
19	1382	206	2	1



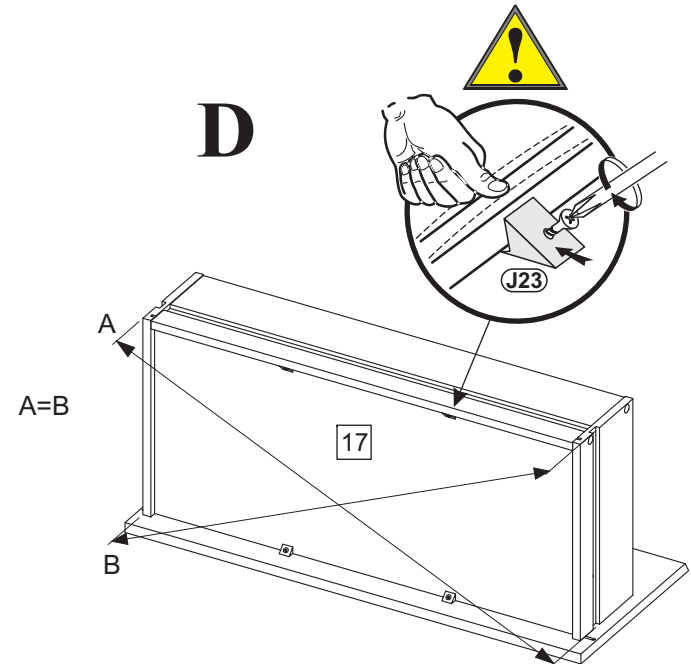
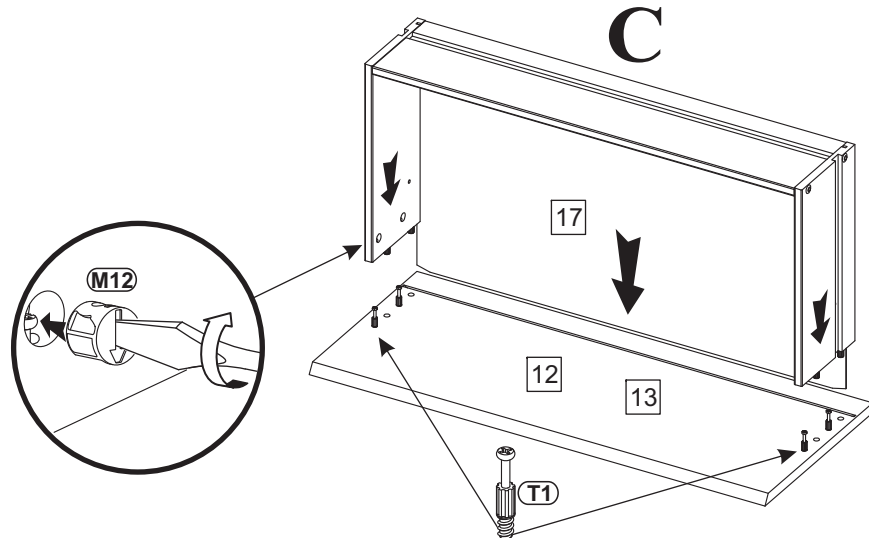
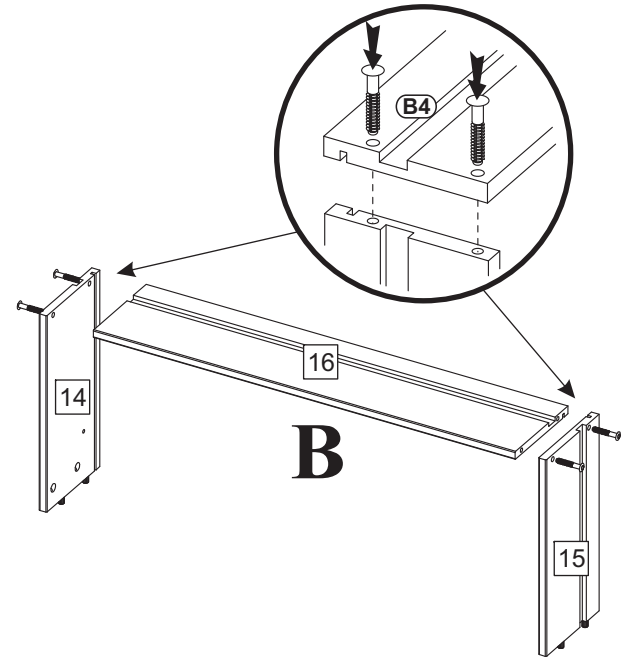
0 10 20 30 40 50 60 70 80 90 100 110 120 130 140 150 160 170 180 190 200





1




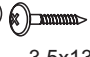
x2



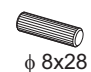
2

<b>R1</b>		x4
<b>E4</b>		x8

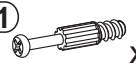
246  
6,0x8

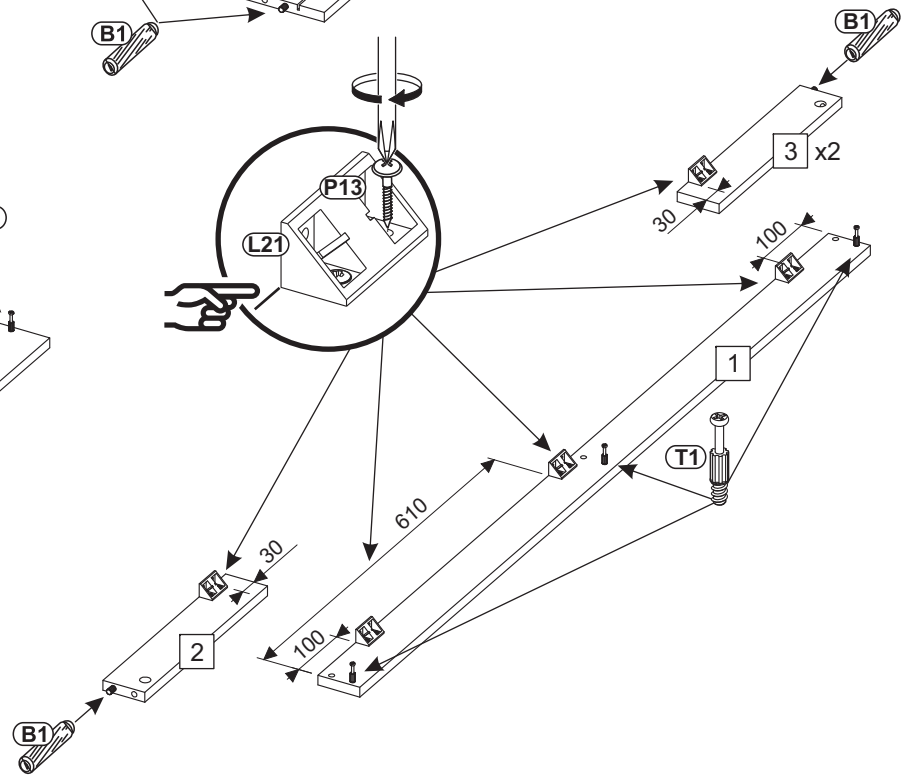
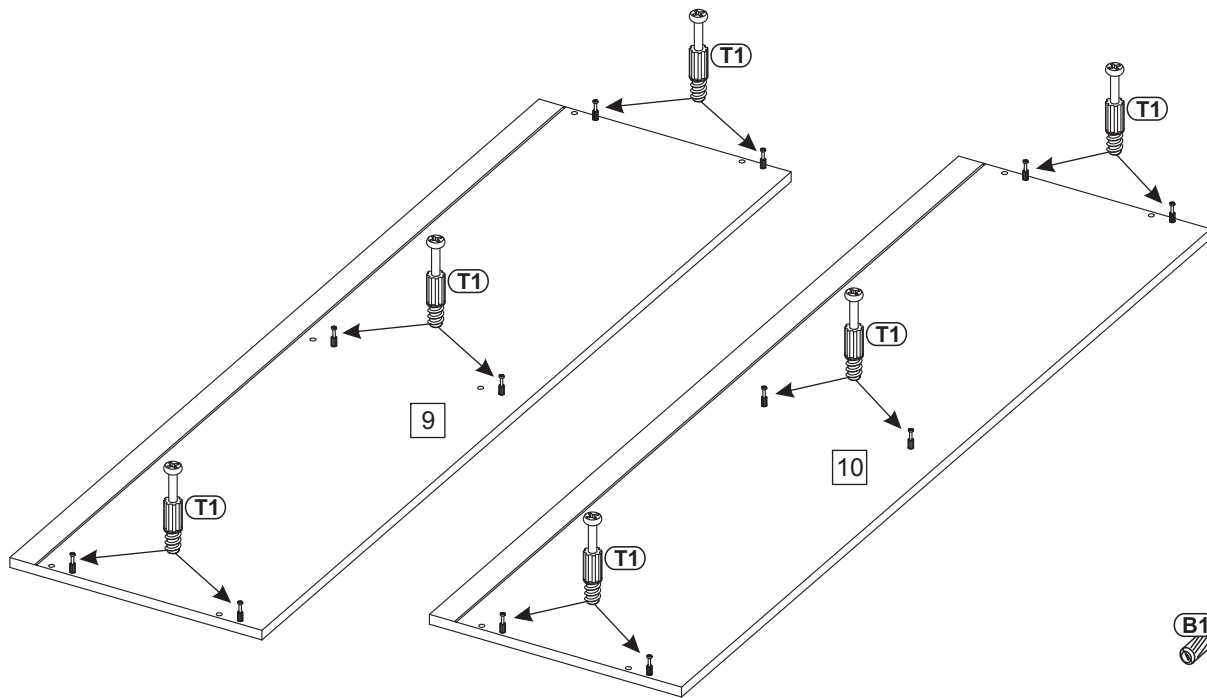
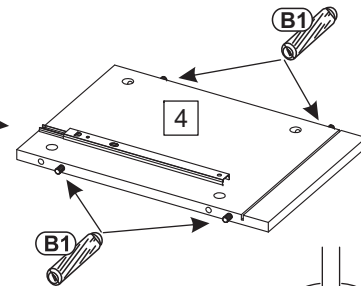
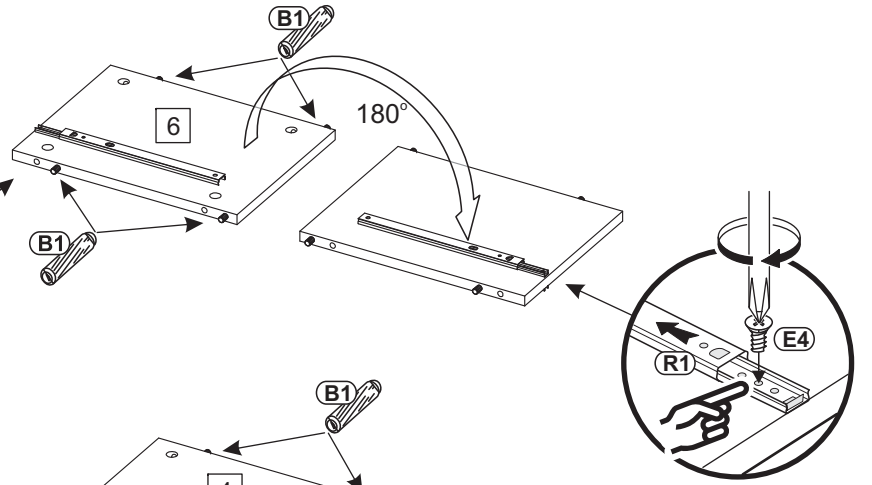
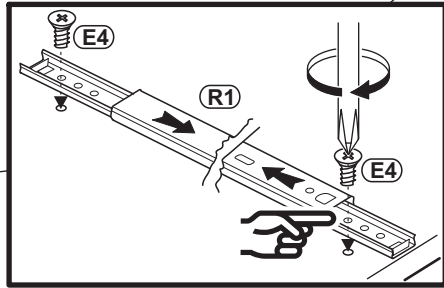
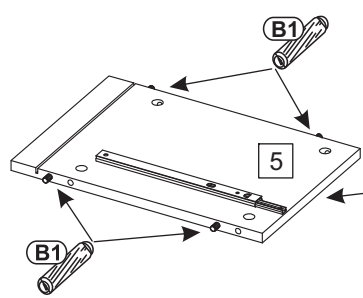
<b>L21</b>		x6
<b>P13</b>		x12

3,5x13

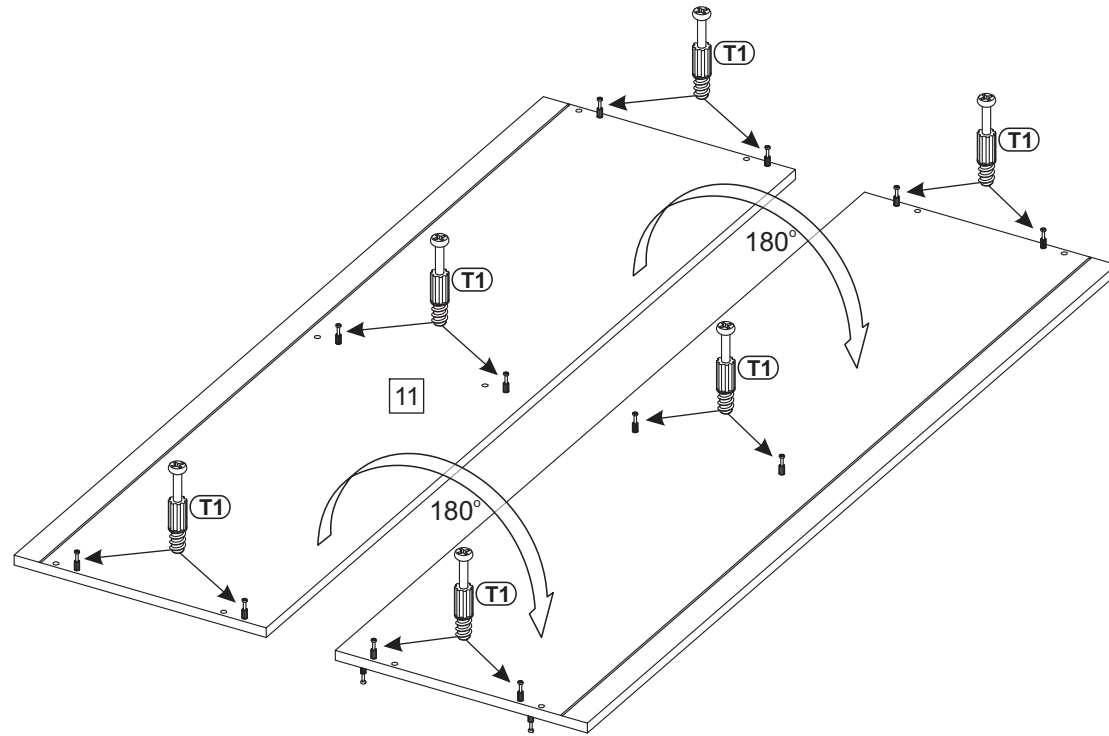
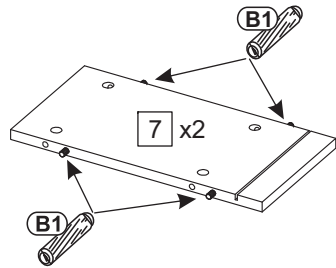
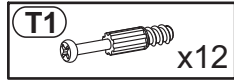
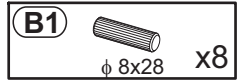
<b>B1</b>		x15
-----------	---	-----

φ 8x28

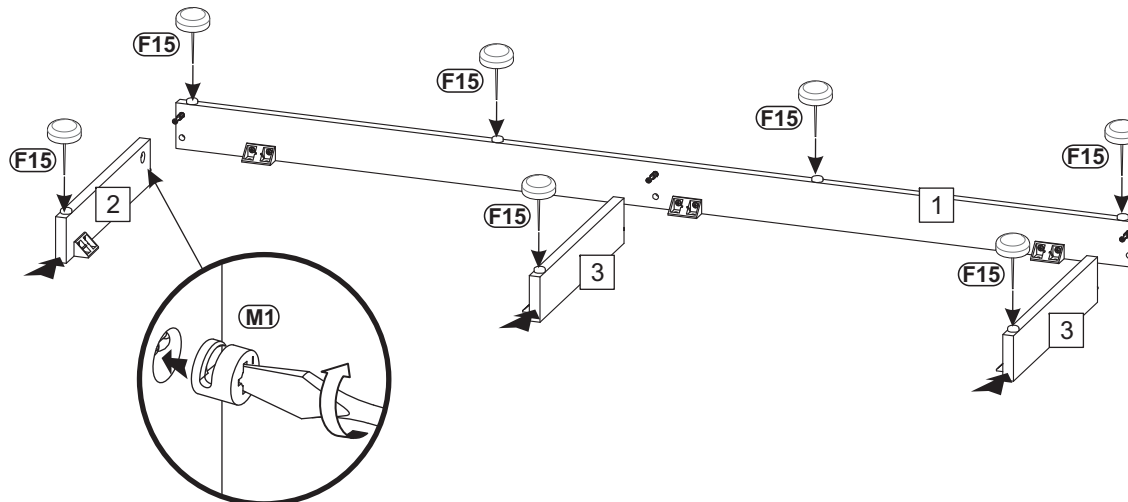
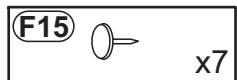
<b>T1</b>		x15
-----------	---	-----



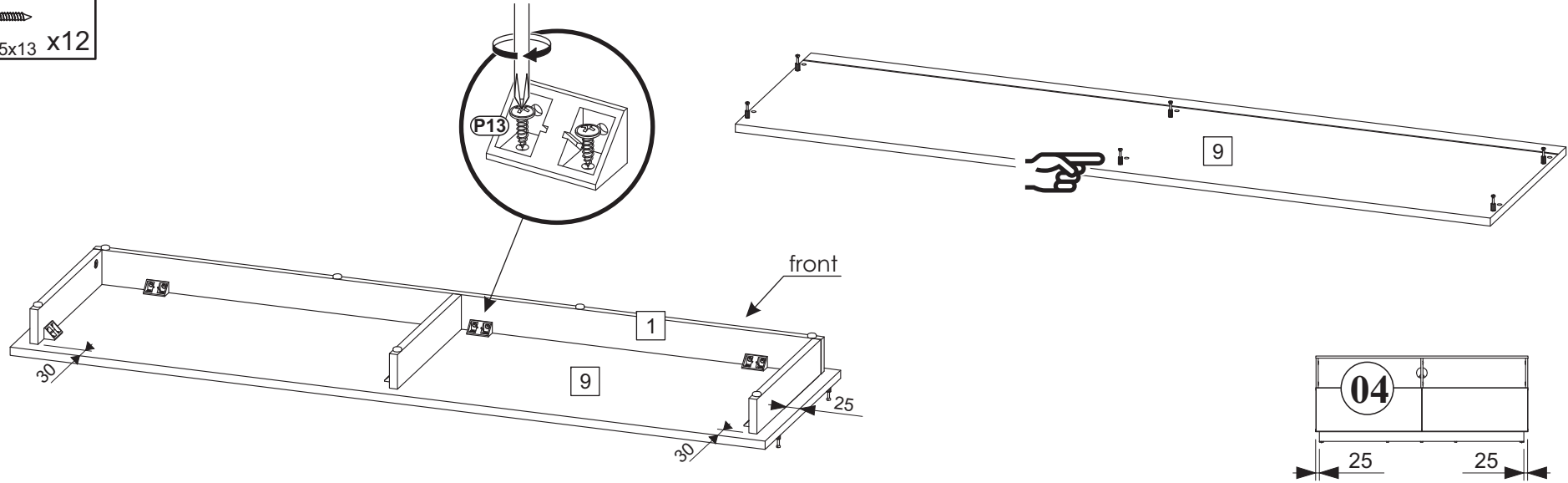
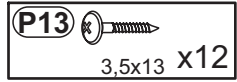
3



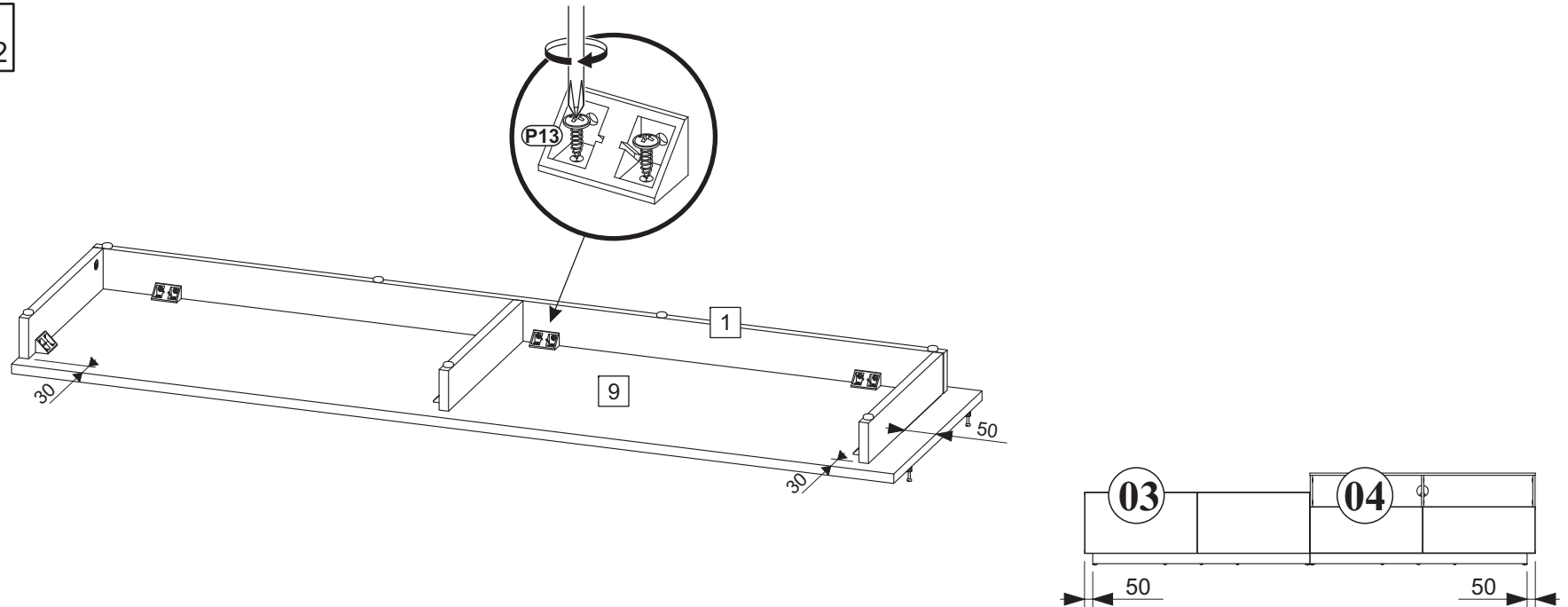
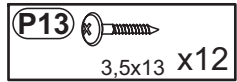
4



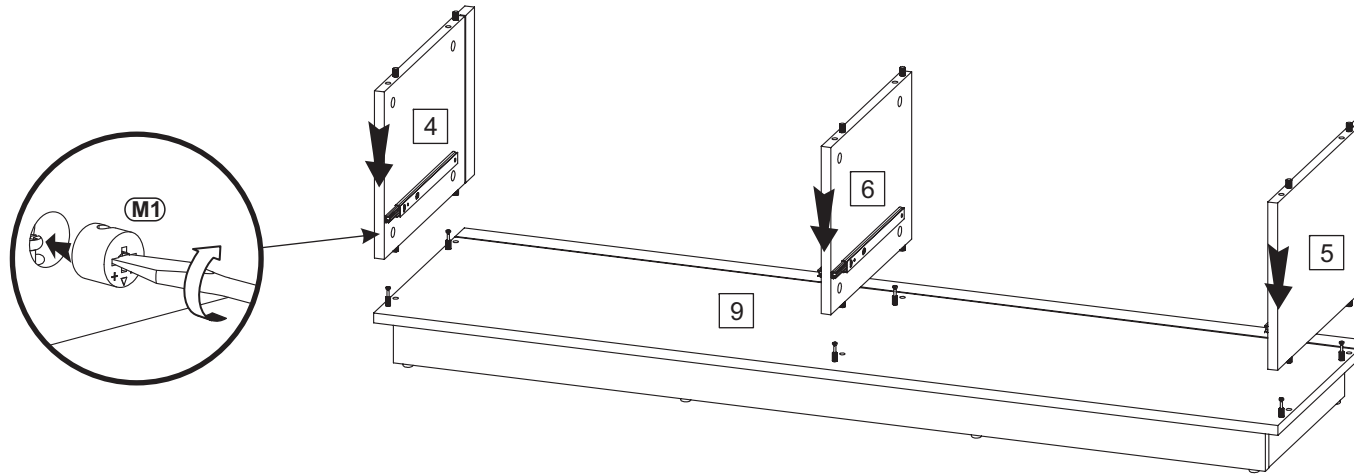
5a



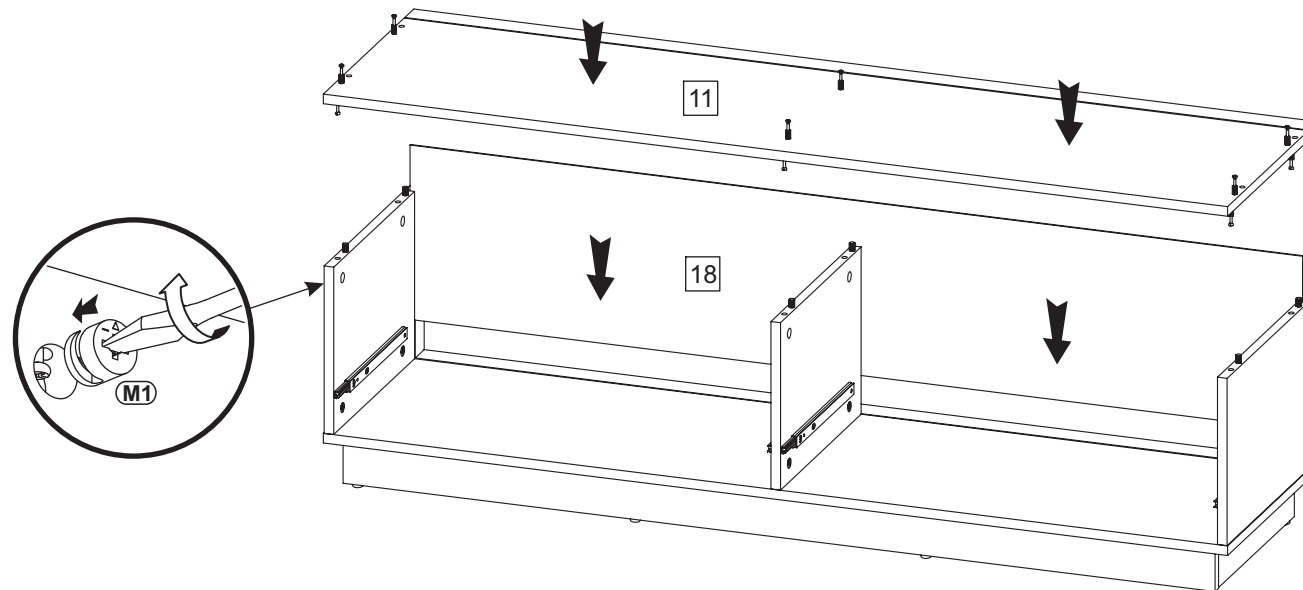
5b



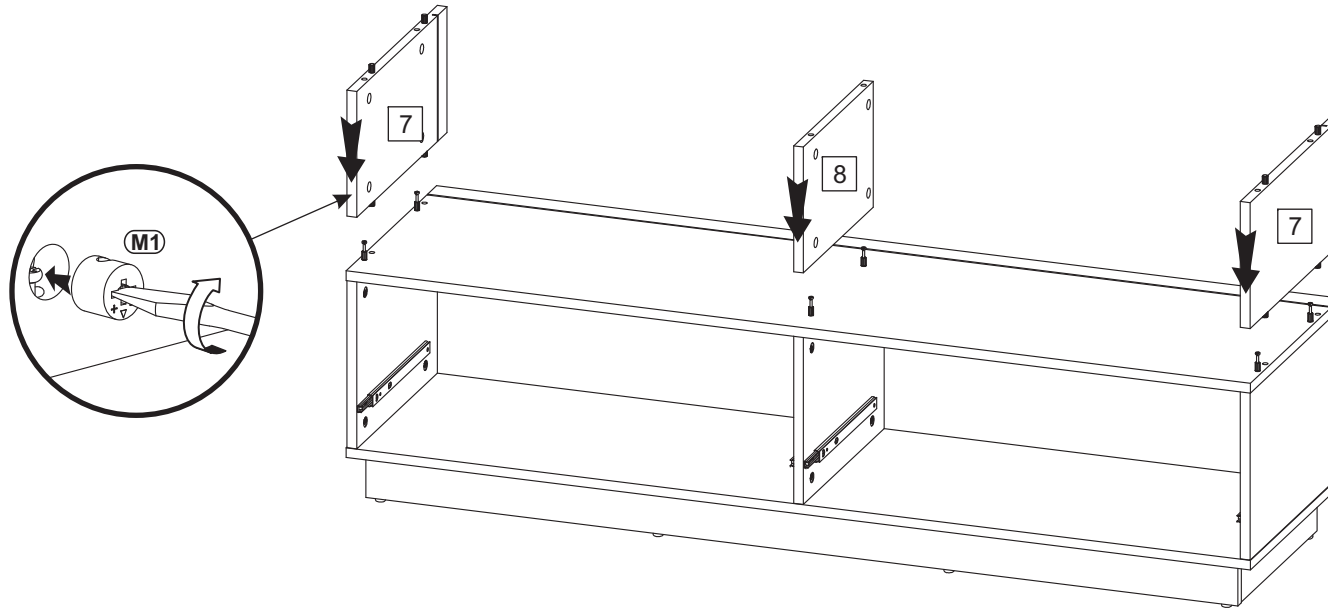
6



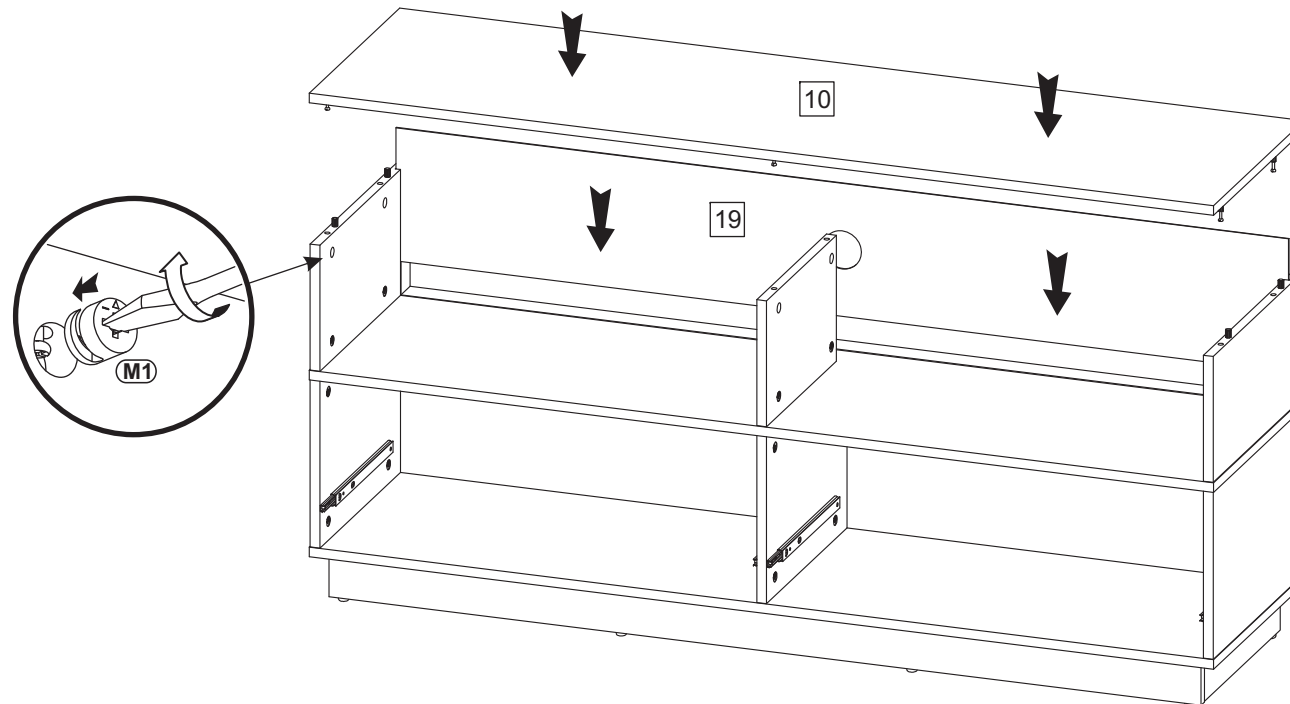
7



8

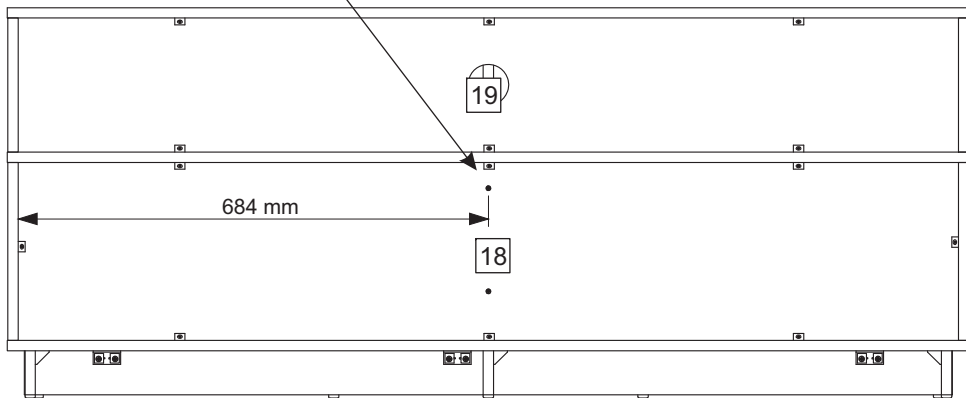
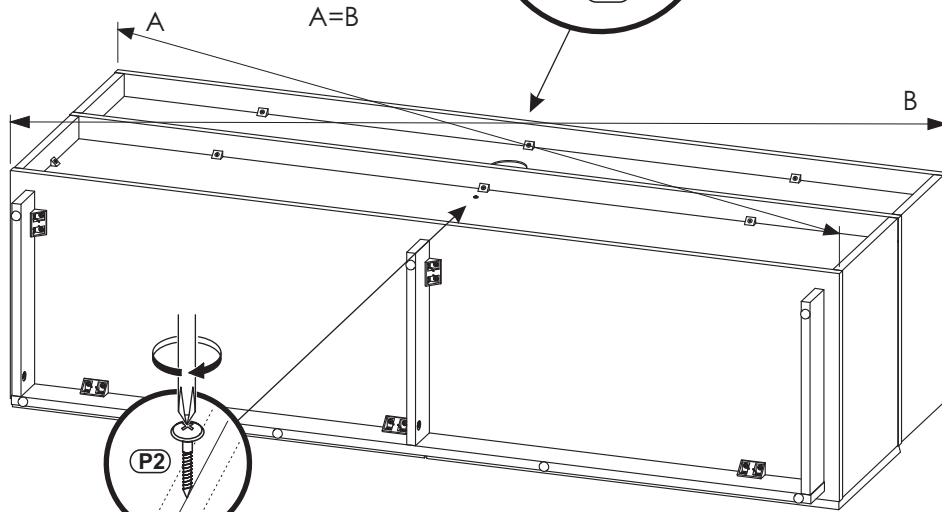
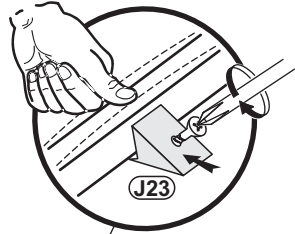
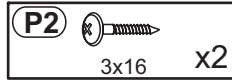
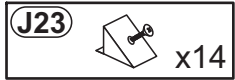


9





10



11

