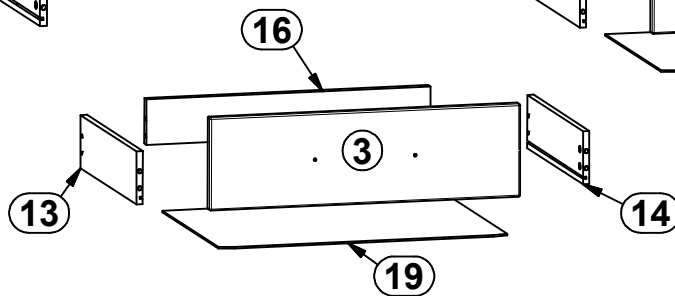
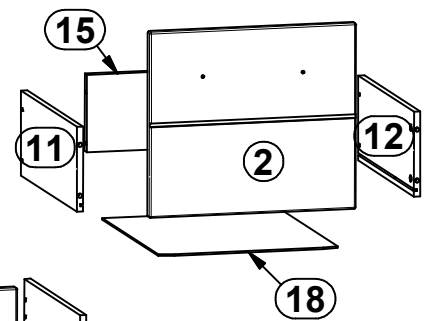
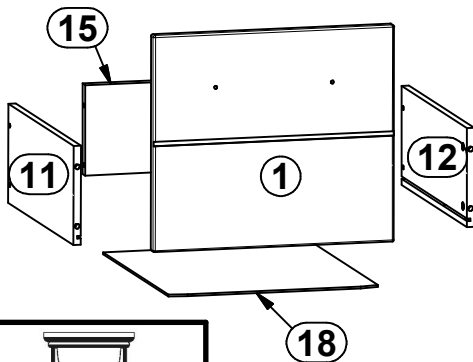
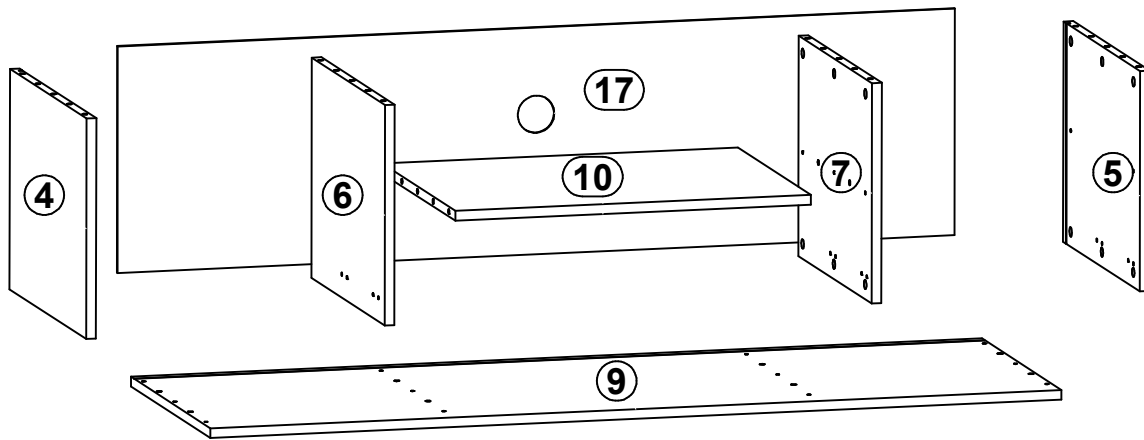
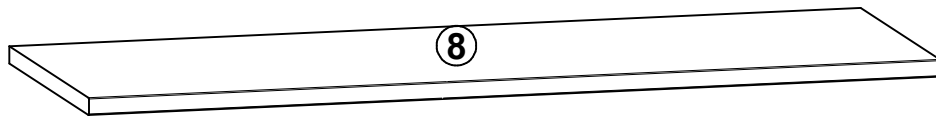
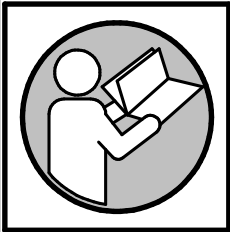
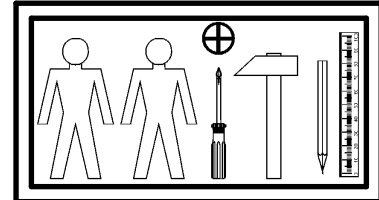
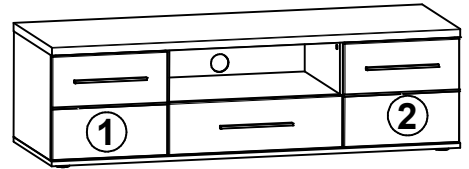


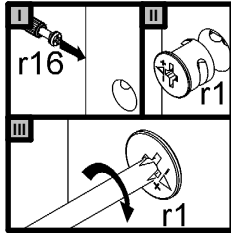
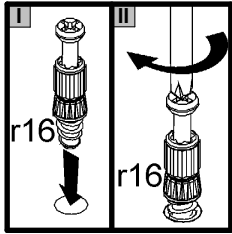
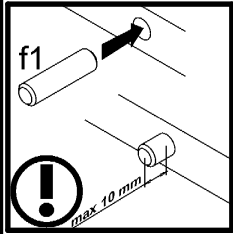
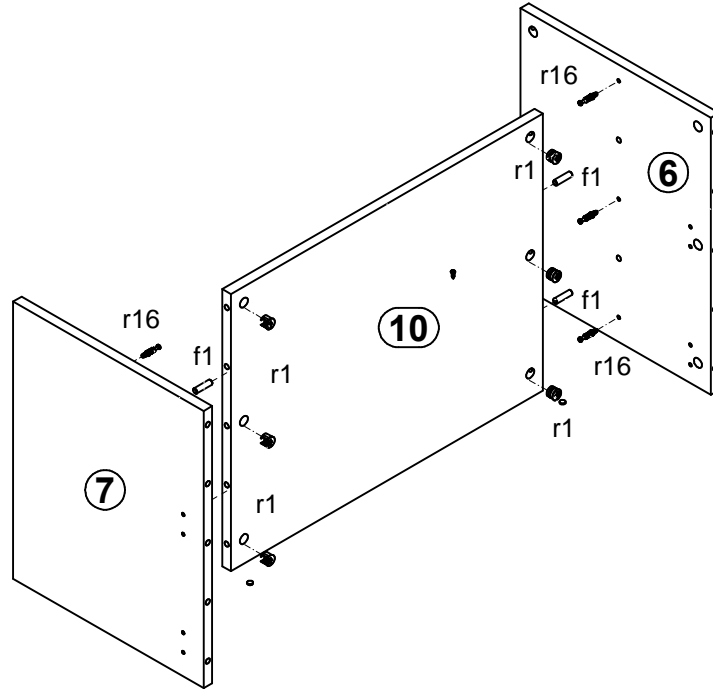
# S117-RTV3S/4/14\_FR2

A	B	C		D	A	B	C		D
1	S117-004	396	350	2/2	11	S117-501	400	160	2/2
2	S117-005	396	350	2/2	12	S117-502	400	160	2/2
3	S117-008	596	175	2/2	13	S117-504	400	100	2/2
4	S117-101A	356	470	2/2	14	S117-505	400	100	2/2
5	S117-102A	356	470	2/2	15	S117-508	335	146	2/2
6	S117-107A	356	450	2/2	16	S117-509	545	86	2/2
7	S117-108A	356	450	2/2	17	S117-906	1377	366	1/2
8	S117-208A	1400	488	1/2	18	S117-907	345	406	2/2
9	S117-209A	1400	488	1/2	19	S117-908	555	406	2/2
10	S117-303A	585	450	2/2					

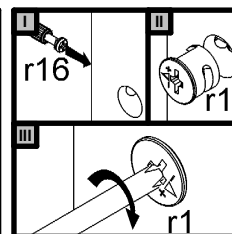
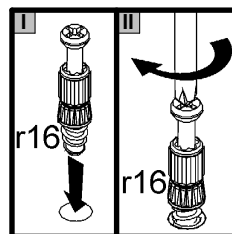
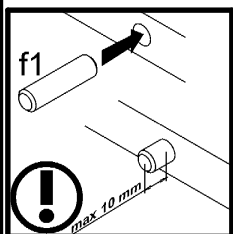
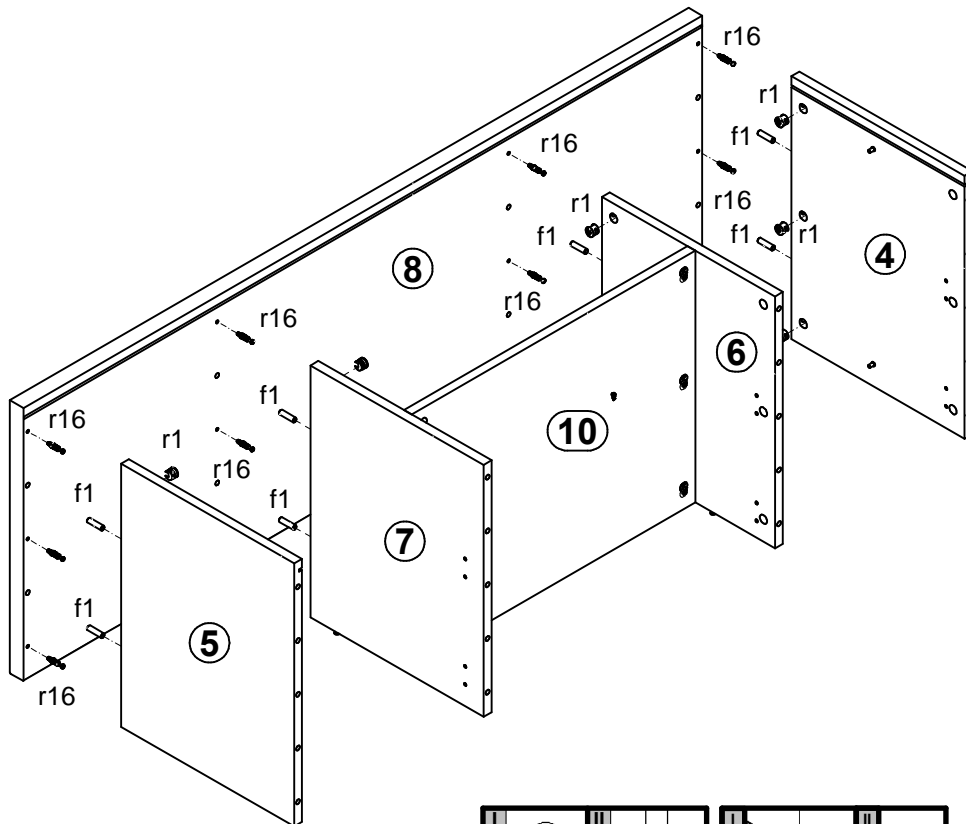


3x 216mm c22311	1x 400 mm t33	24x φ6x13 mm e3	20x φ8x30 mm f1	12x φ6.5x40 mm f25	5x k43	14x l1	6x silikon o21	1x φ3.5x16 mm p25
1x φ3.5x10 mm p35	10x φ3.5x16 mm p38	6x p114	30x φ1.5x12mm #16 r1	12x φ12x10.5mm #12 r15	42x r16	3x 400 mm w78\L	3x 400 mm w78\P	4x φ16 s2
8x i2								

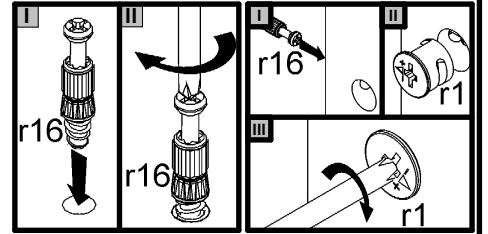
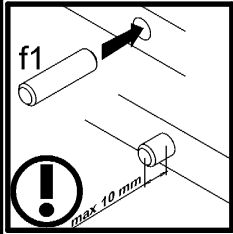
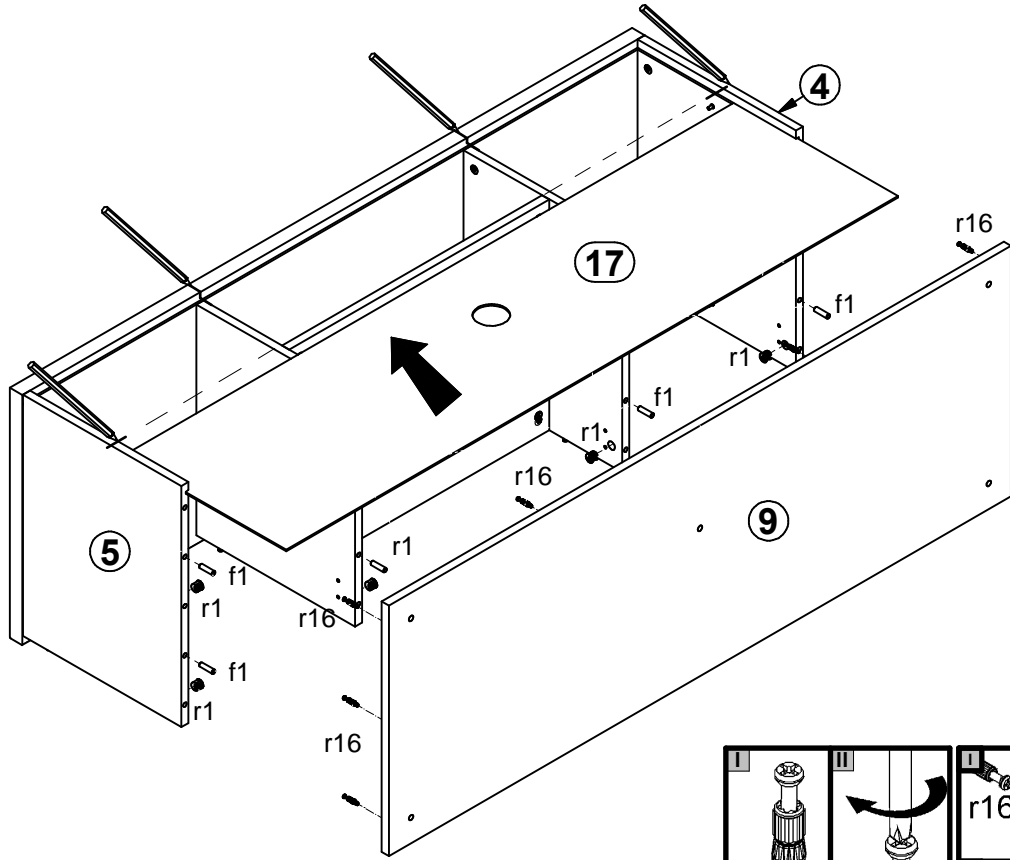
# 1



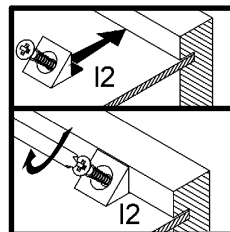
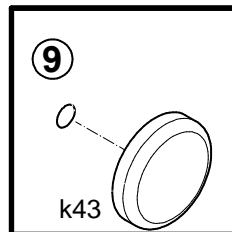
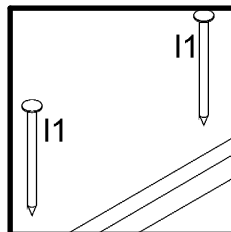
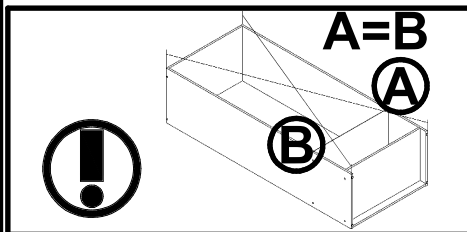
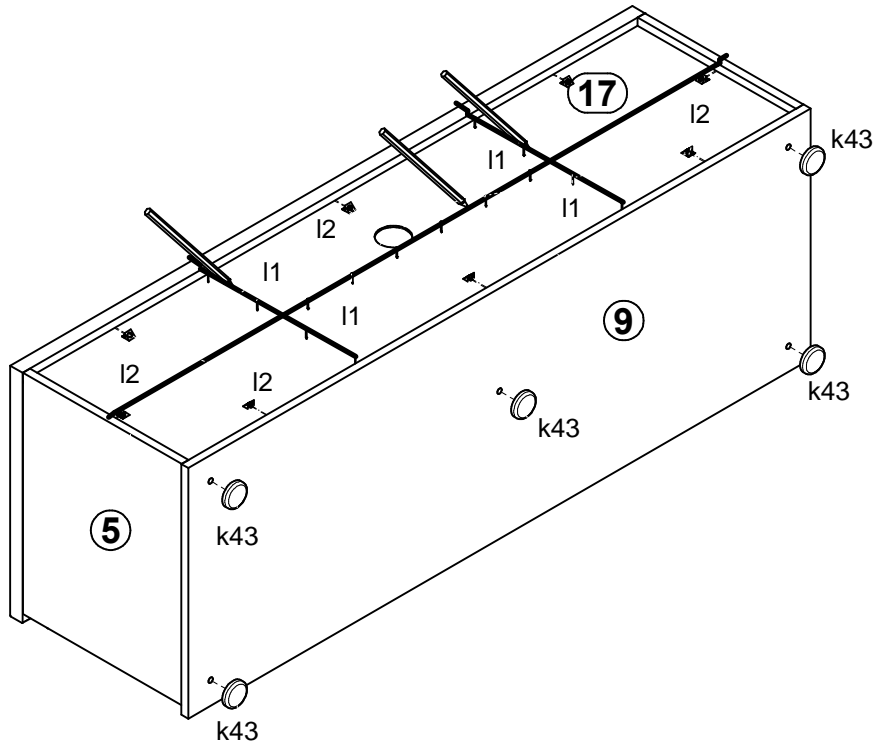
# 2



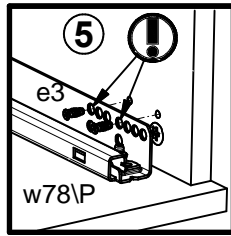
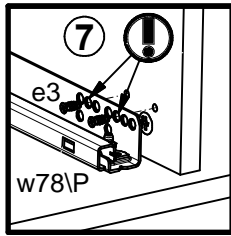
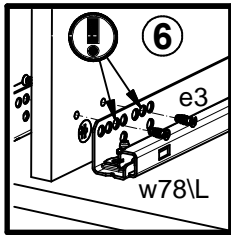
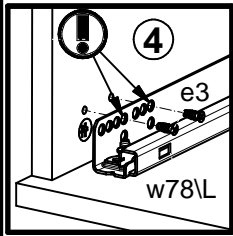
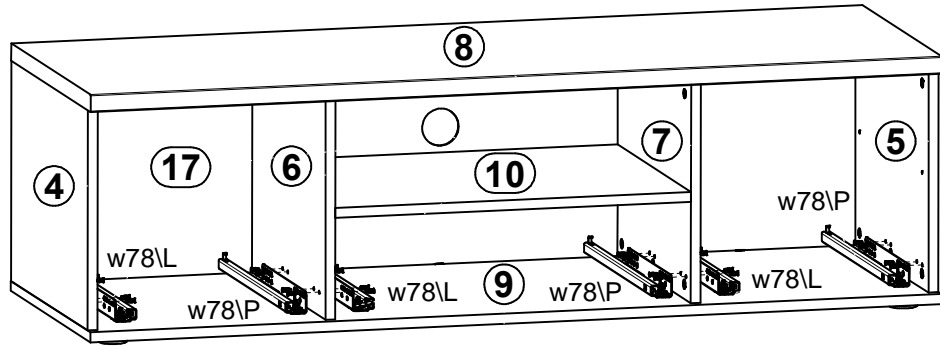
# 3



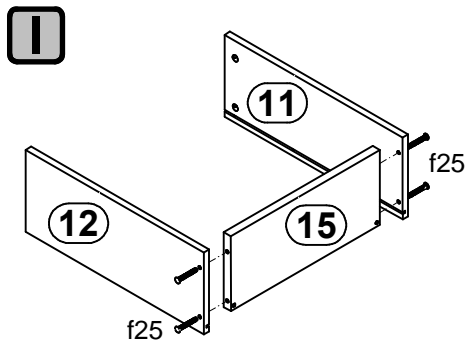
# 4



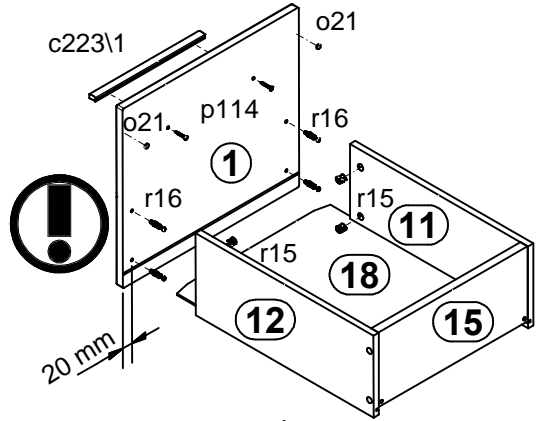
# 5



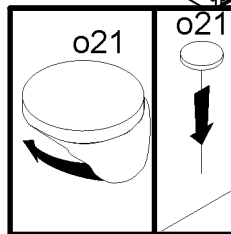
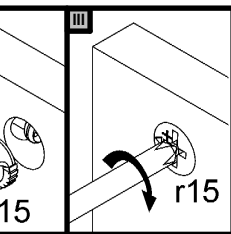
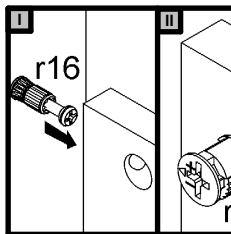
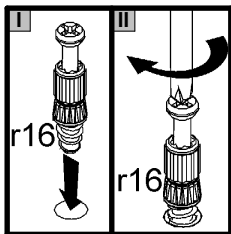
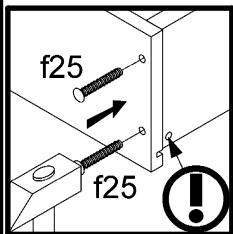
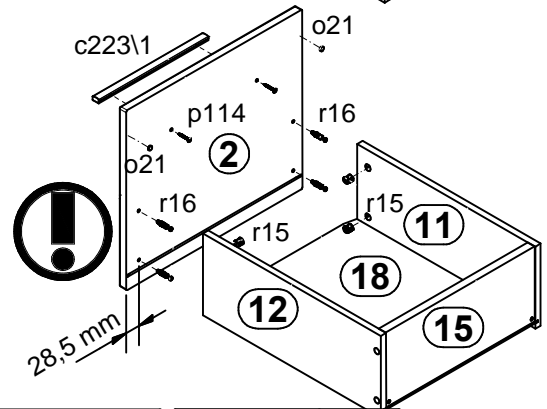
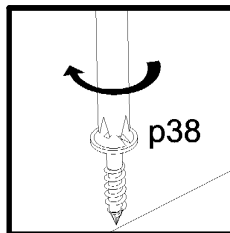
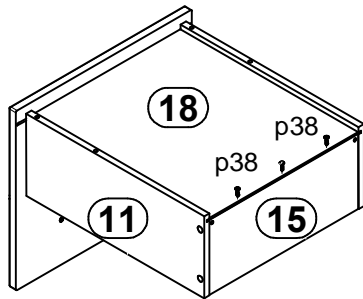
# 6



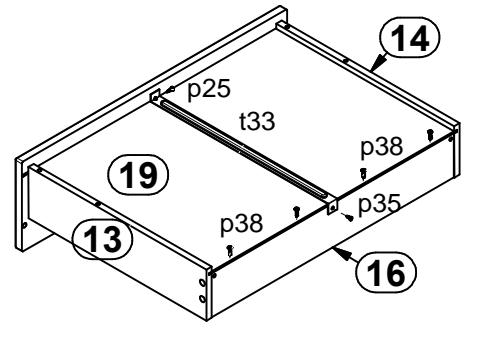
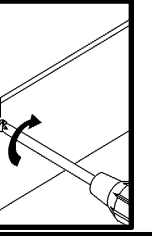
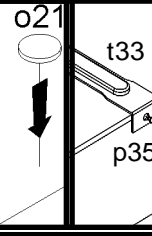
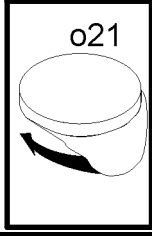
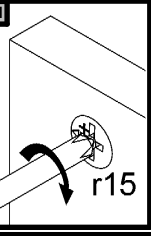
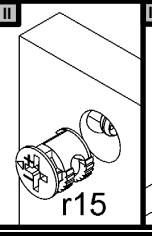
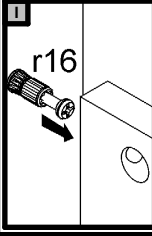
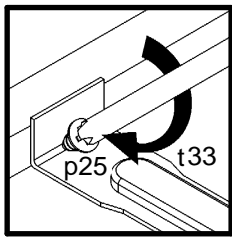
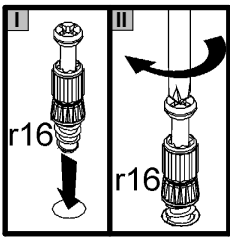
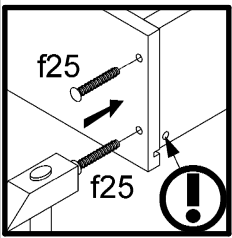
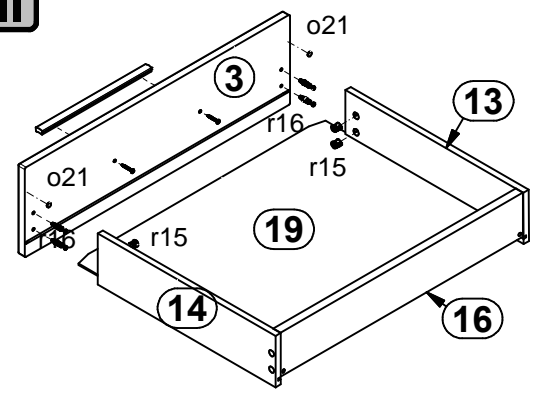
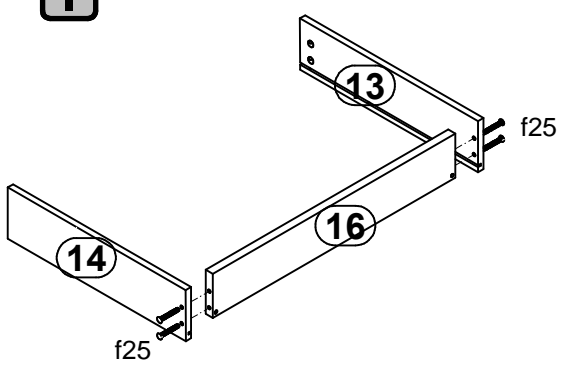
## II



## III



# 7



# 8

