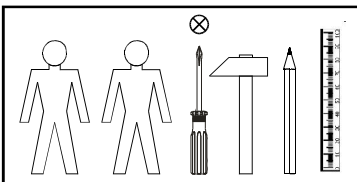


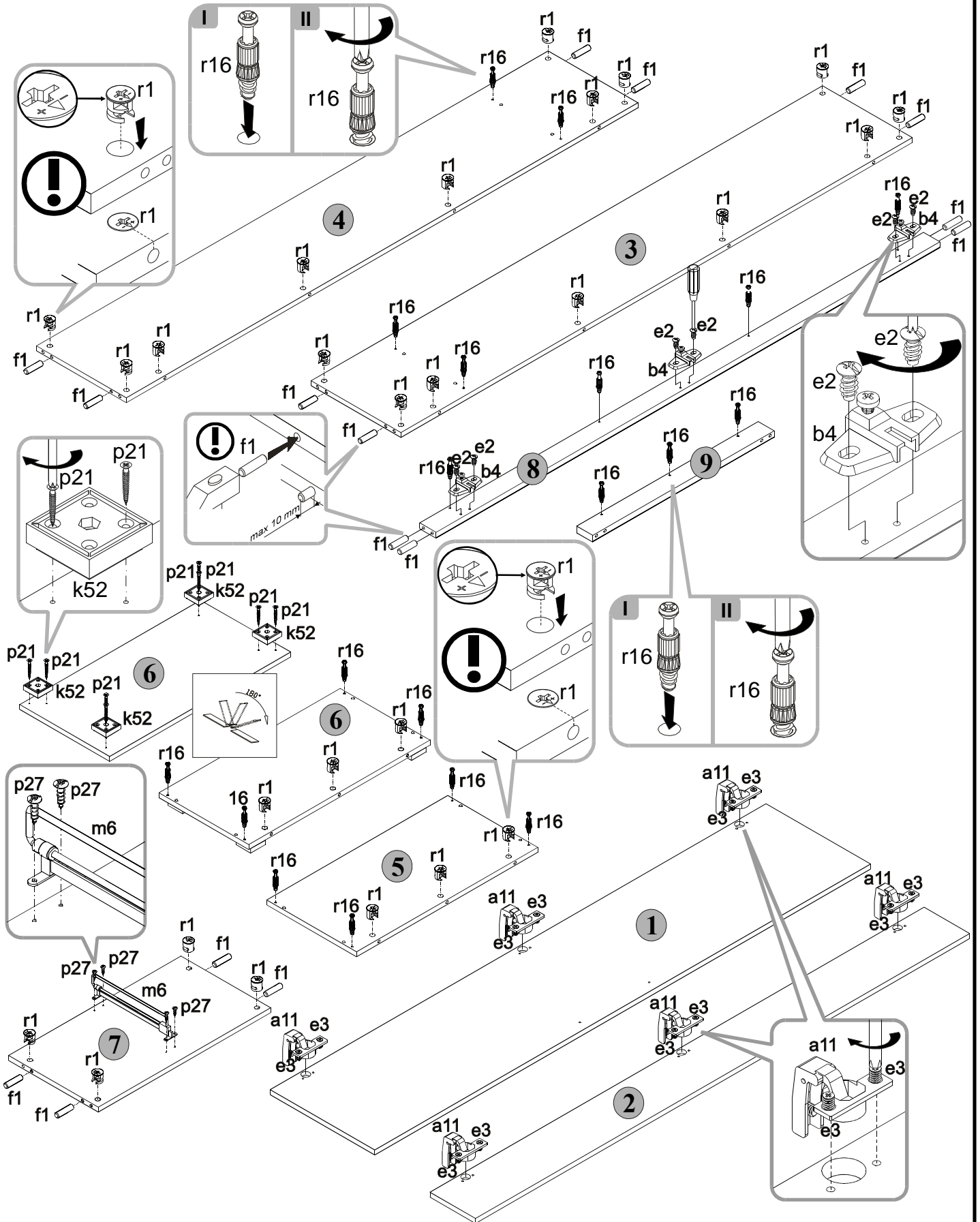
A	B	C	D
1	S19-063A	1830x385	1/5
2	S19-064A	1830x169	1/5
3	S19-1164	1923x338	1/5
4	S19-1165	1923x338	1/5
5	S19-264	681x338	2/5
6	S19-265	681x338	2/5
7	S19-3314	648x337	2/5
8	S19-730A	1836x60	1/5
9	S19-731	682x60	2/5
10	S19-991	1951x675	1/5



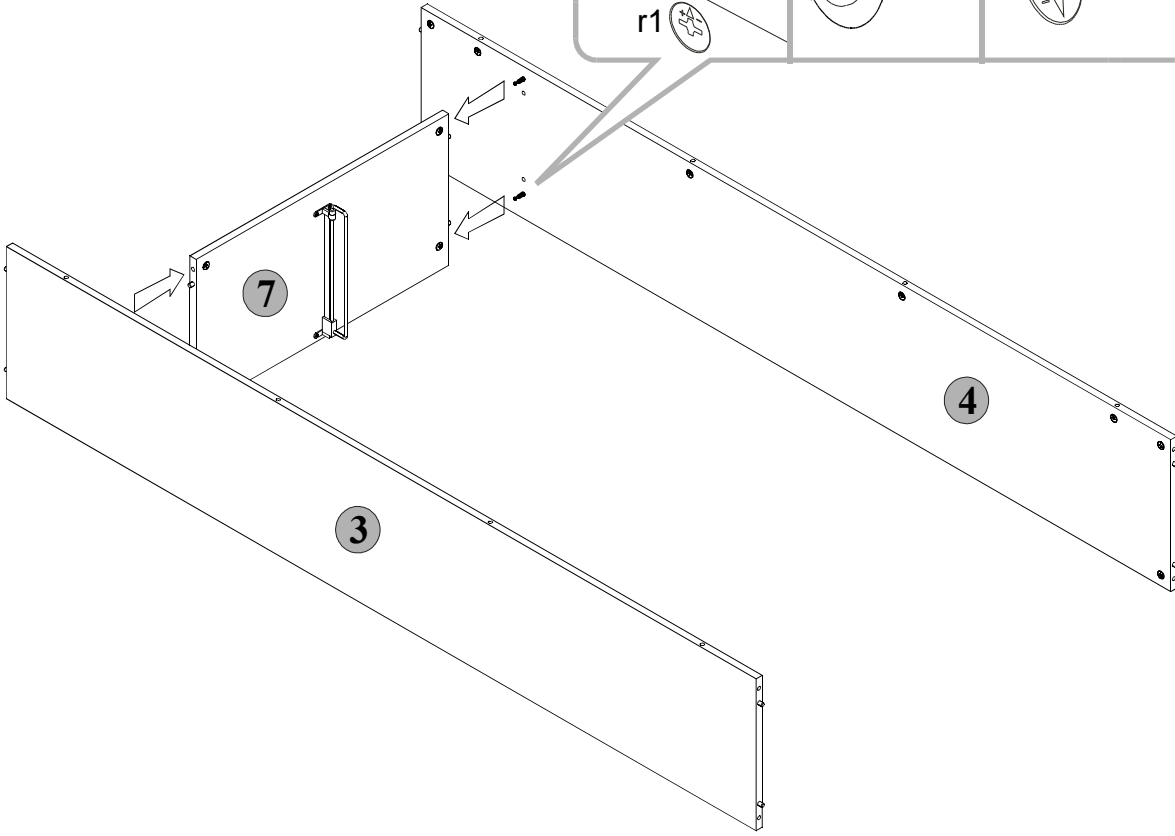
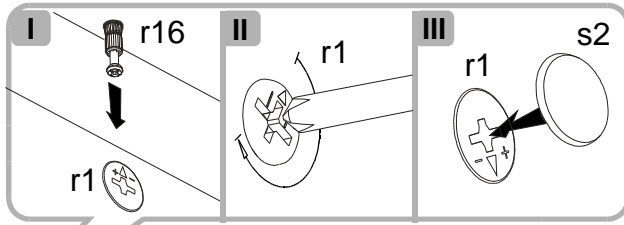
20x φ8x30 mm <b>f1</b>	26x φ15x12mm #16 <b>r1</b>	26x <b>r16</b>	12x φ6x13 mm <b>e3</b>	26x φ16 <b>s2</b>
6x <b>b4</b>	6x <b>a11</b>	55x <b>l1</b>	8x φ4x30 mm <b>p21</b>	4x φ3,5x13 mm <b>p27</b>
12x φ6,3x13 mm <b>e2</b>	4x 56x56x20 mm <b>k52</b>	1x L-300 <b>m6</b>	1x 300 mm <b>c196</b>	2x φ4x42 mm <b>p22</b>



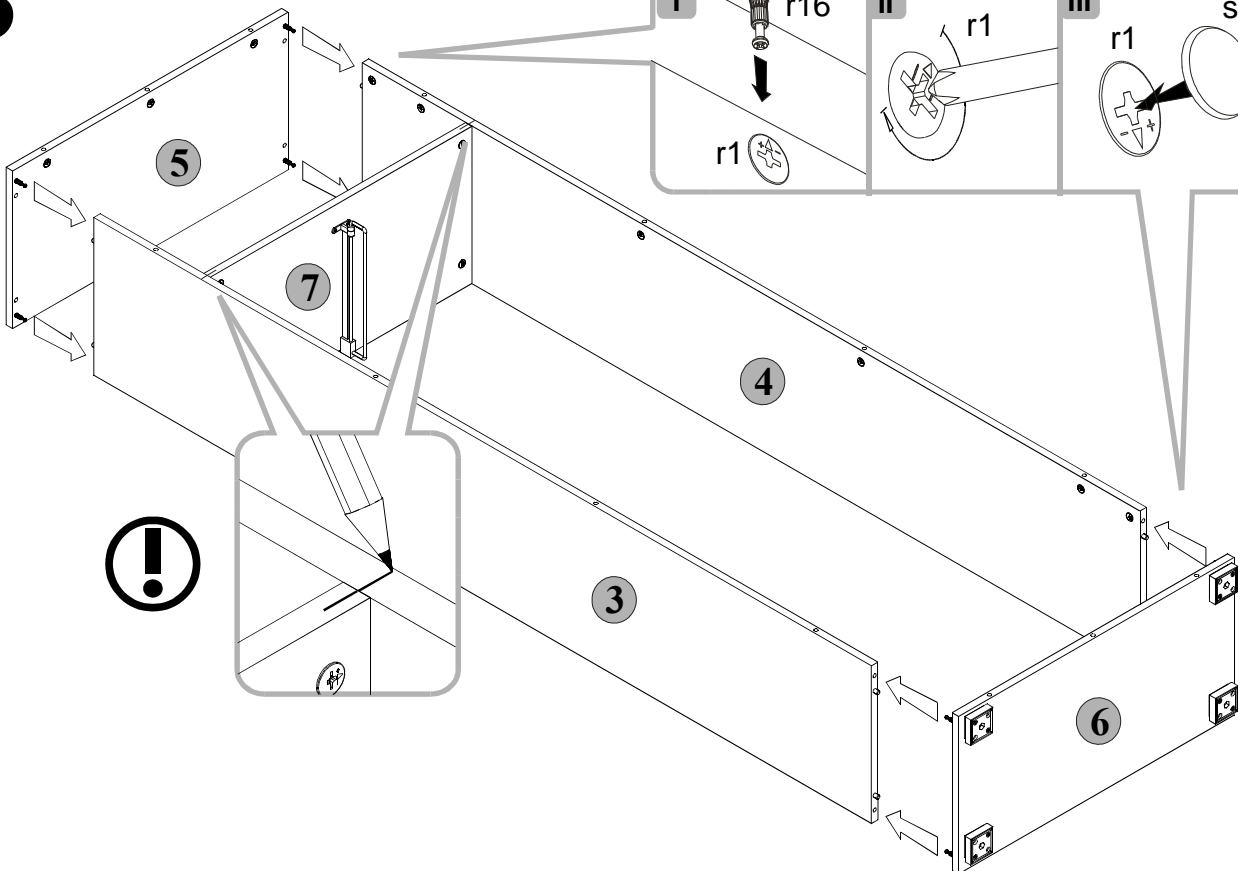
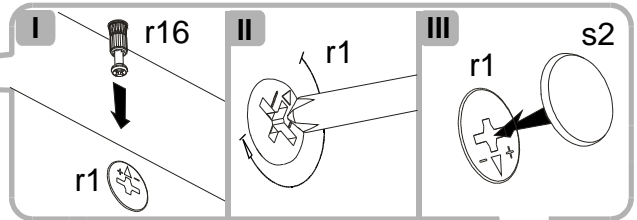
1 

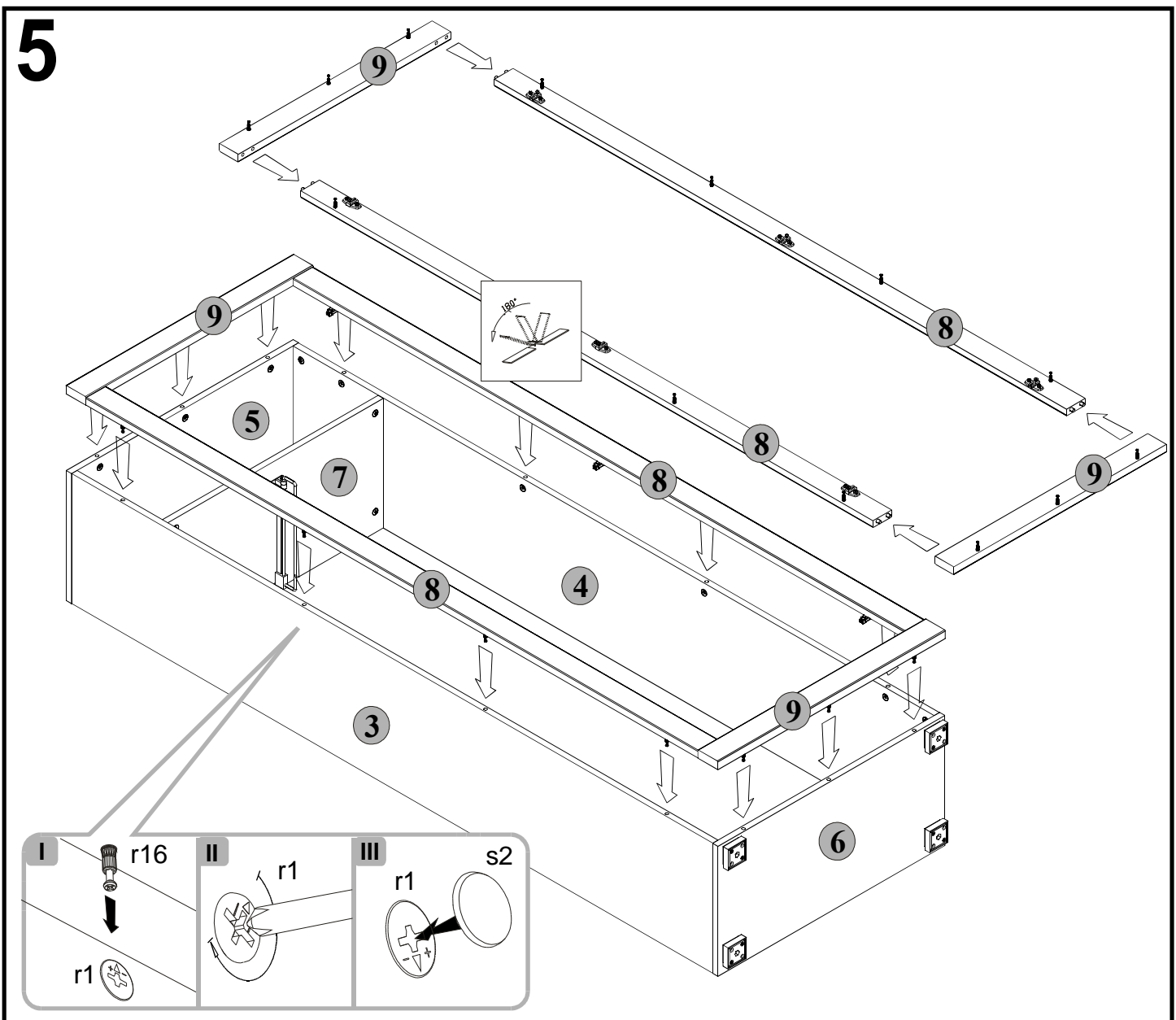
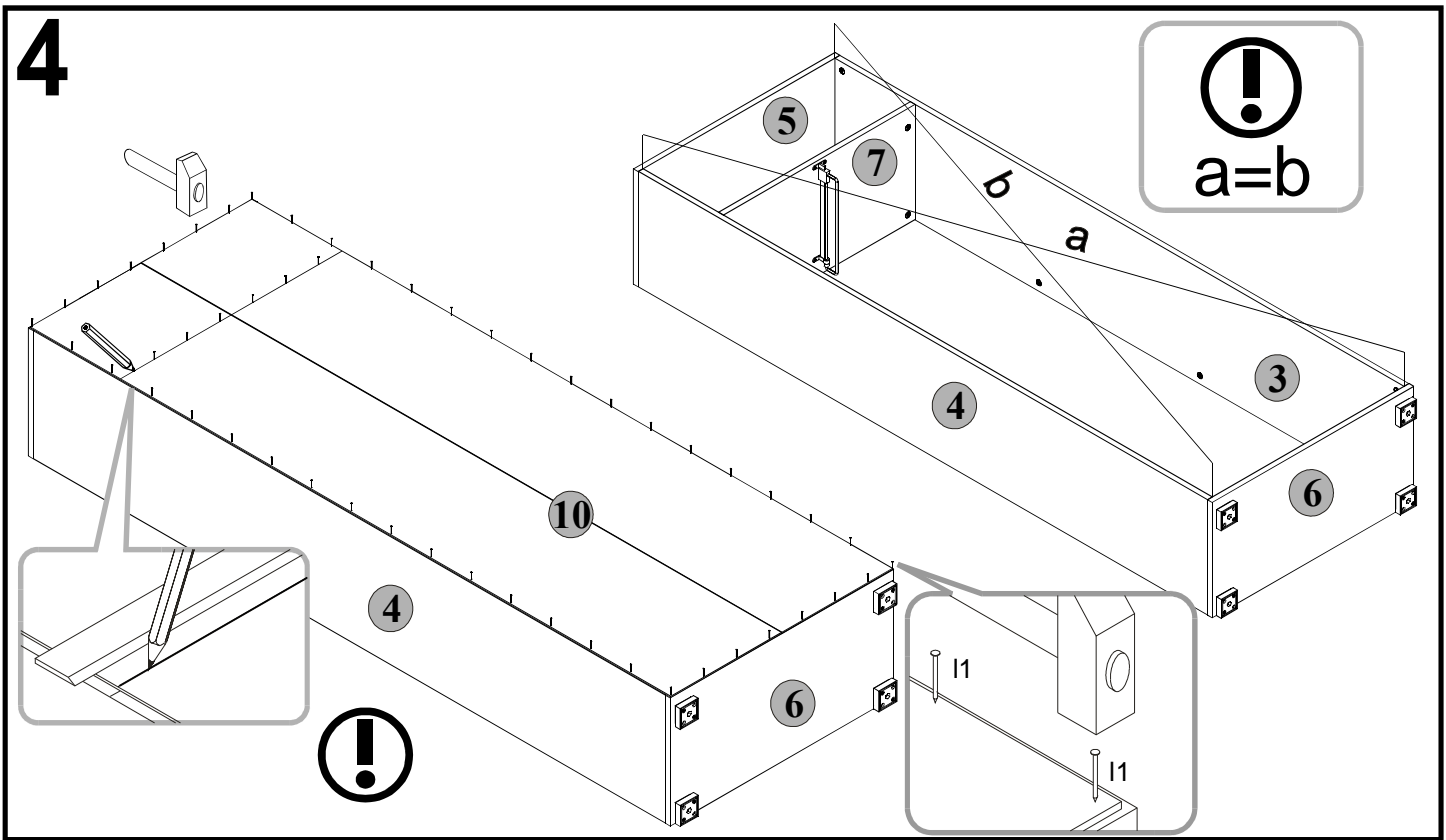


# 2

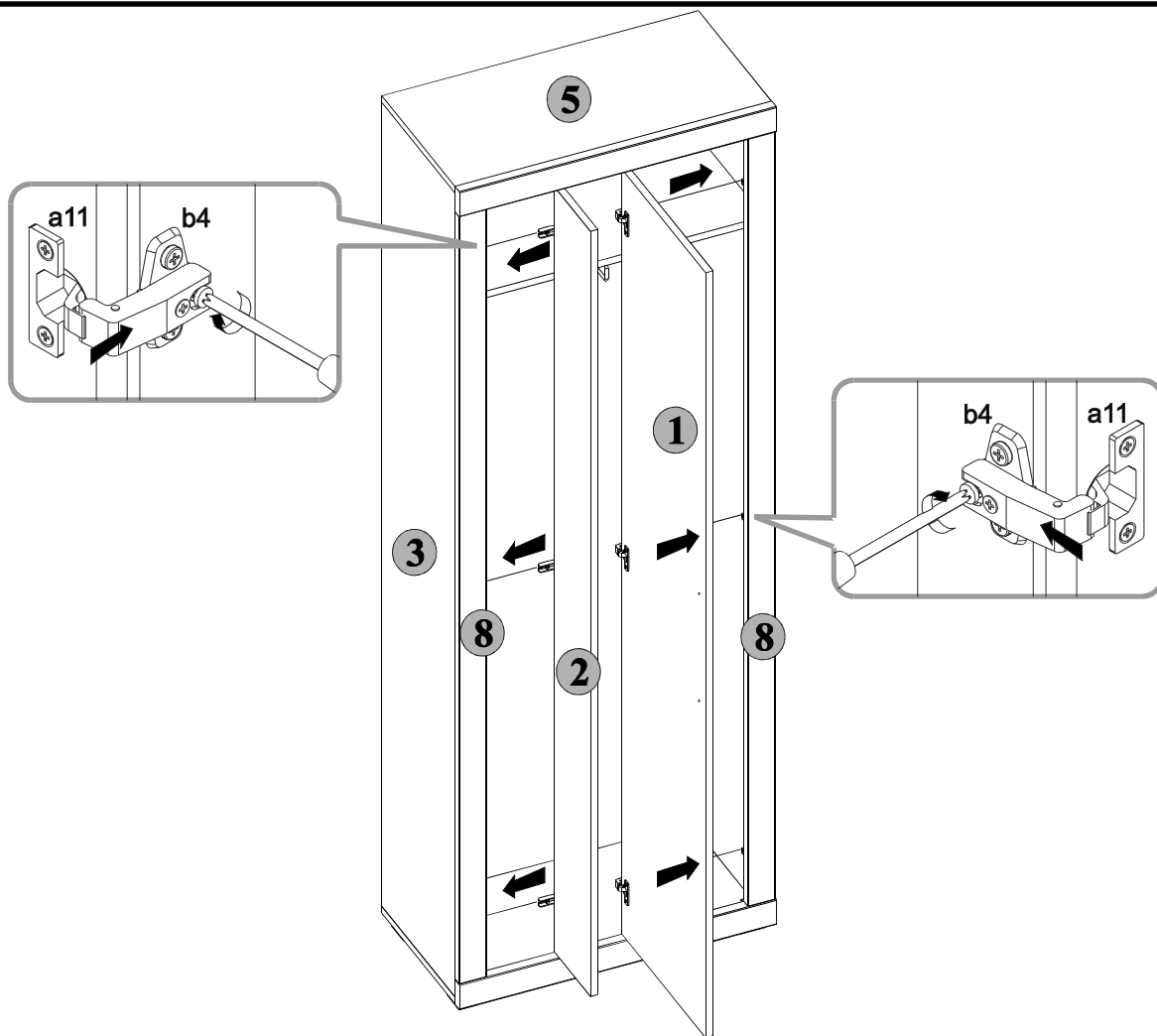


# 3





# 6



# 7

