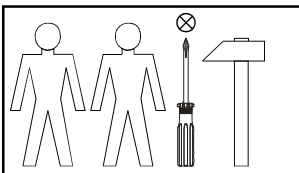
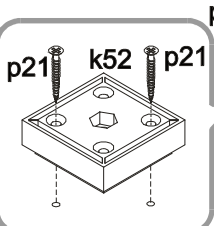
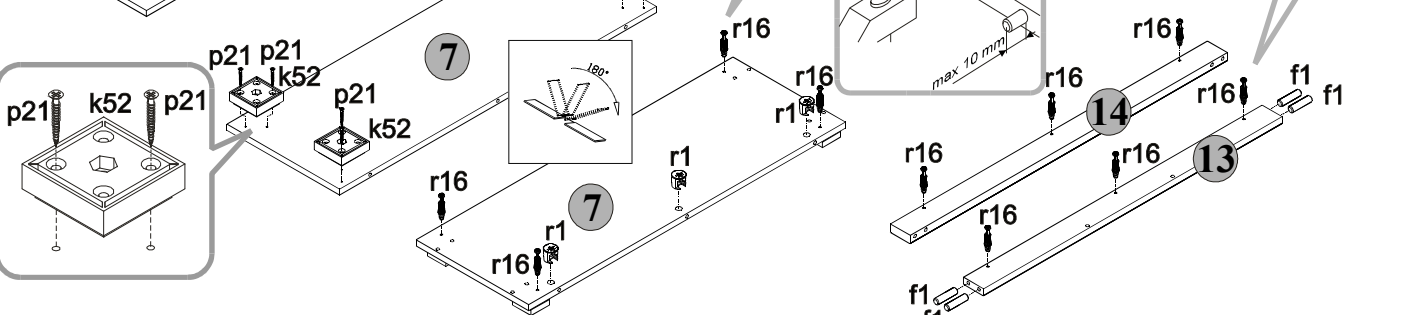
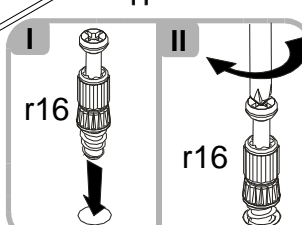
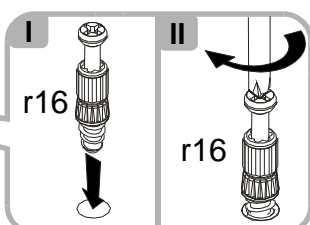
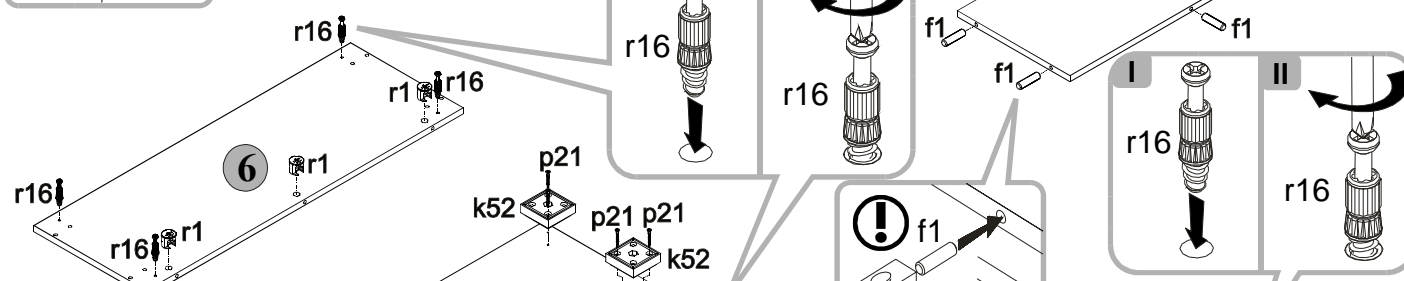
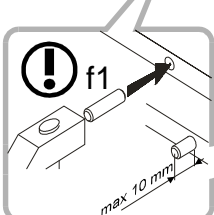
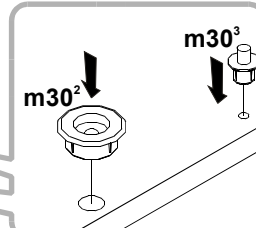
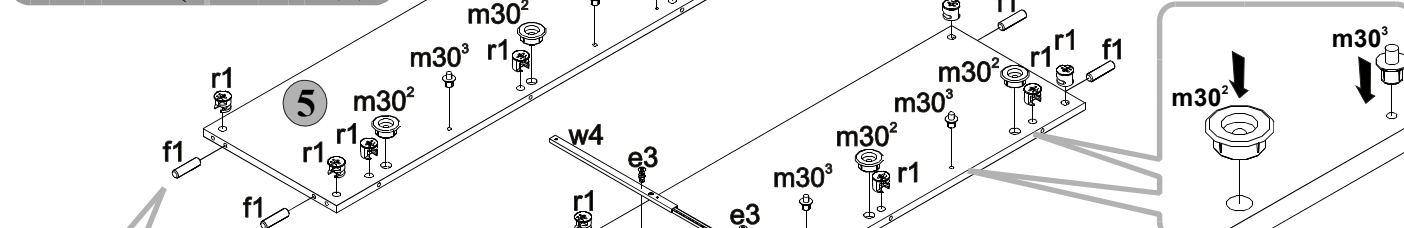
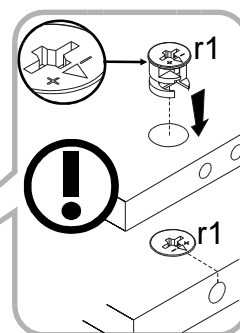
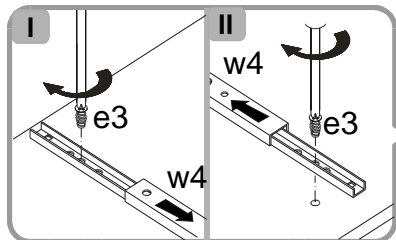
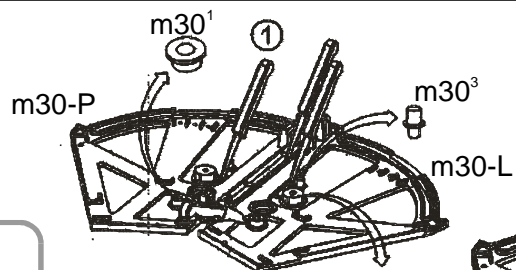


A	B	C	D
1	S19-061	826x150	3/5
2	S19-094	826x362	3/5
3	S19-1163	983x338	3/5
4	S19-1341	983x338	3/5
5	S19-1342	983x338	3/5
6	S19-262	951x338	3/5
7	S19-263	951x338	3/5
8	S19-5562	817x138	3/5
9	S19-5563	817x90	3/5
10	MZ1-522	320x100	3/5
11	MZ1-523	320x100	3/5
12	S19-578	800x100	3/5
13	S19-727	896x60	3/5
14	S19-728	952x60	3/5
15	S19-988	811x316	3/5
16	S19-989	1011x943	3/5

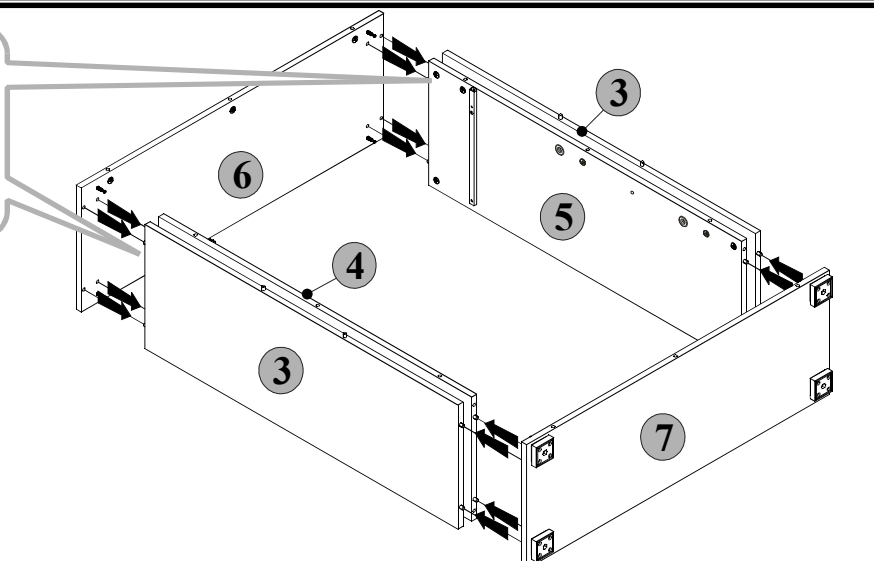
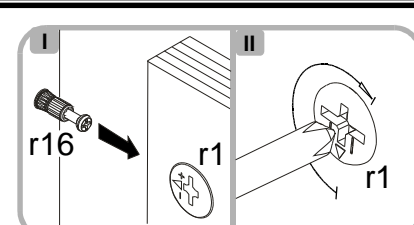


3x 300 mm c196	32x φ8x30 mm f1	4x φ6,5x40 mm f25	8x φ6x13 mm e3	2x M4x9 mm j2	4x 56x56x20 mm k52	40x
2x m30-L	2x m30-P	4x m30¹	4x m30²	4x m30³	1x y1	
12x φ2,5x13 mm p15	8x φ4x30 mm p21	6x φ4x42 mm p22	12x φ3,5x16 mm p38	20x φ15x12mm #16 r1	20x r16	2x 310 mm w4

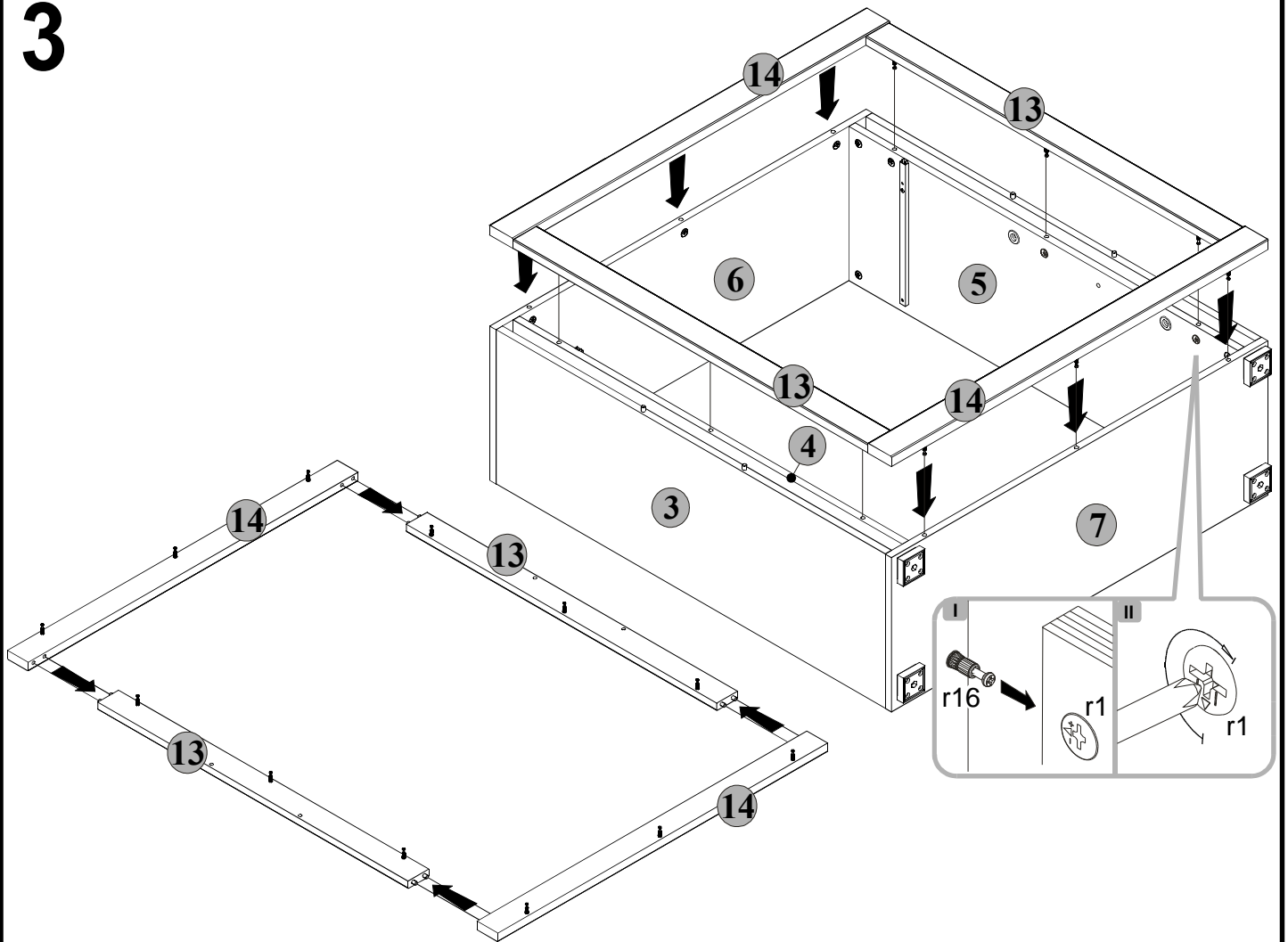
1



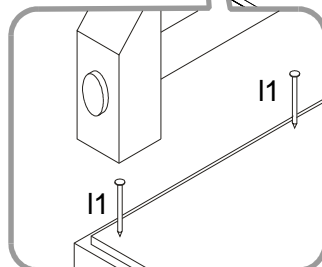
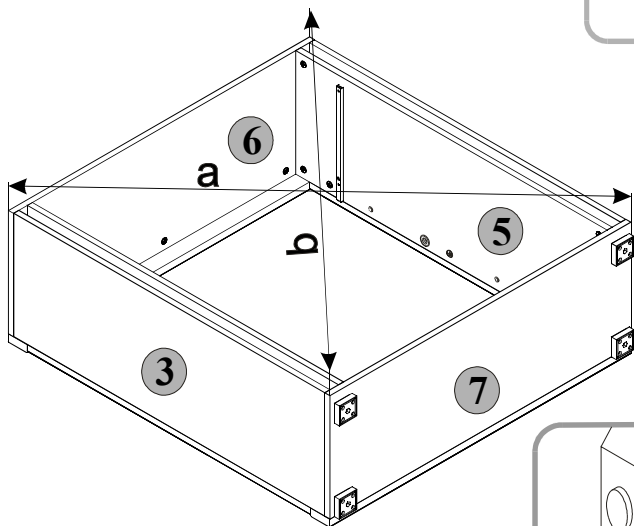
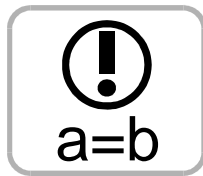
2



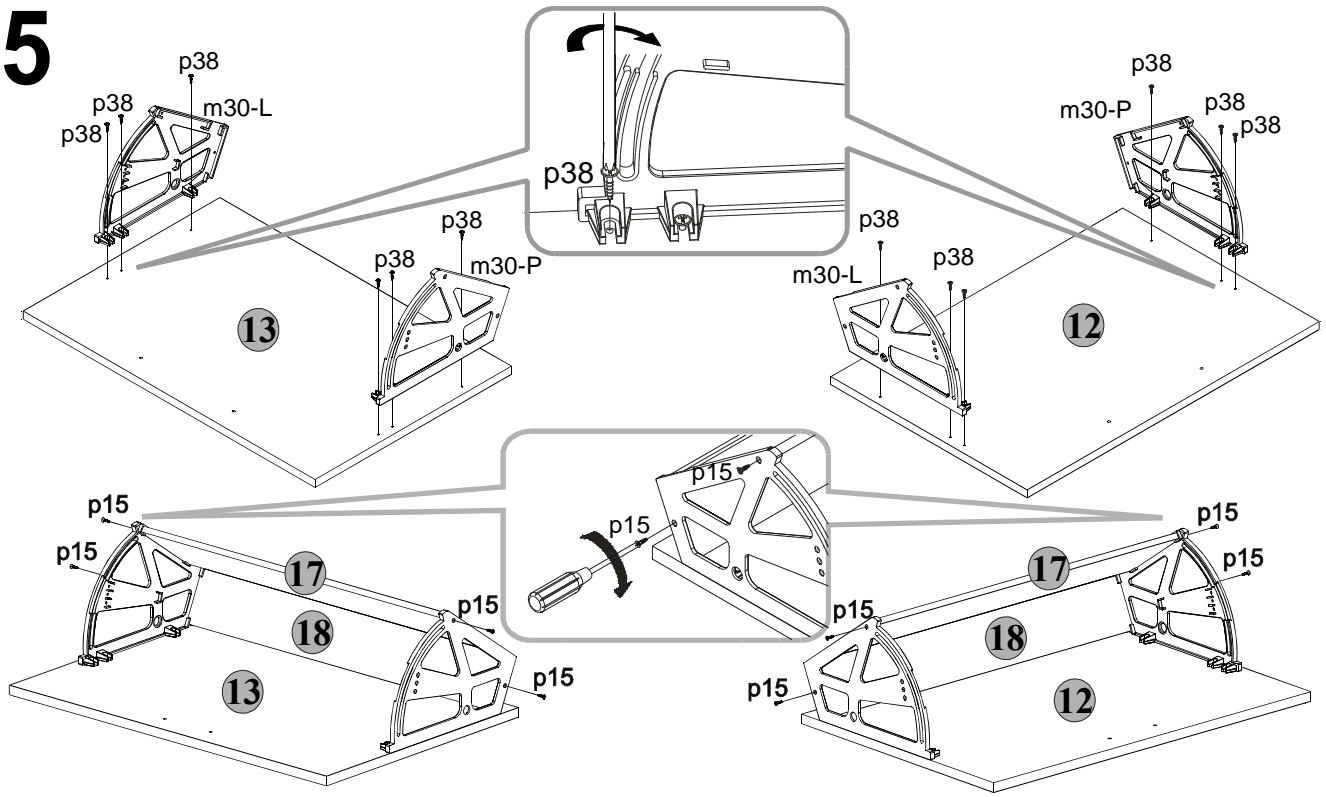
3



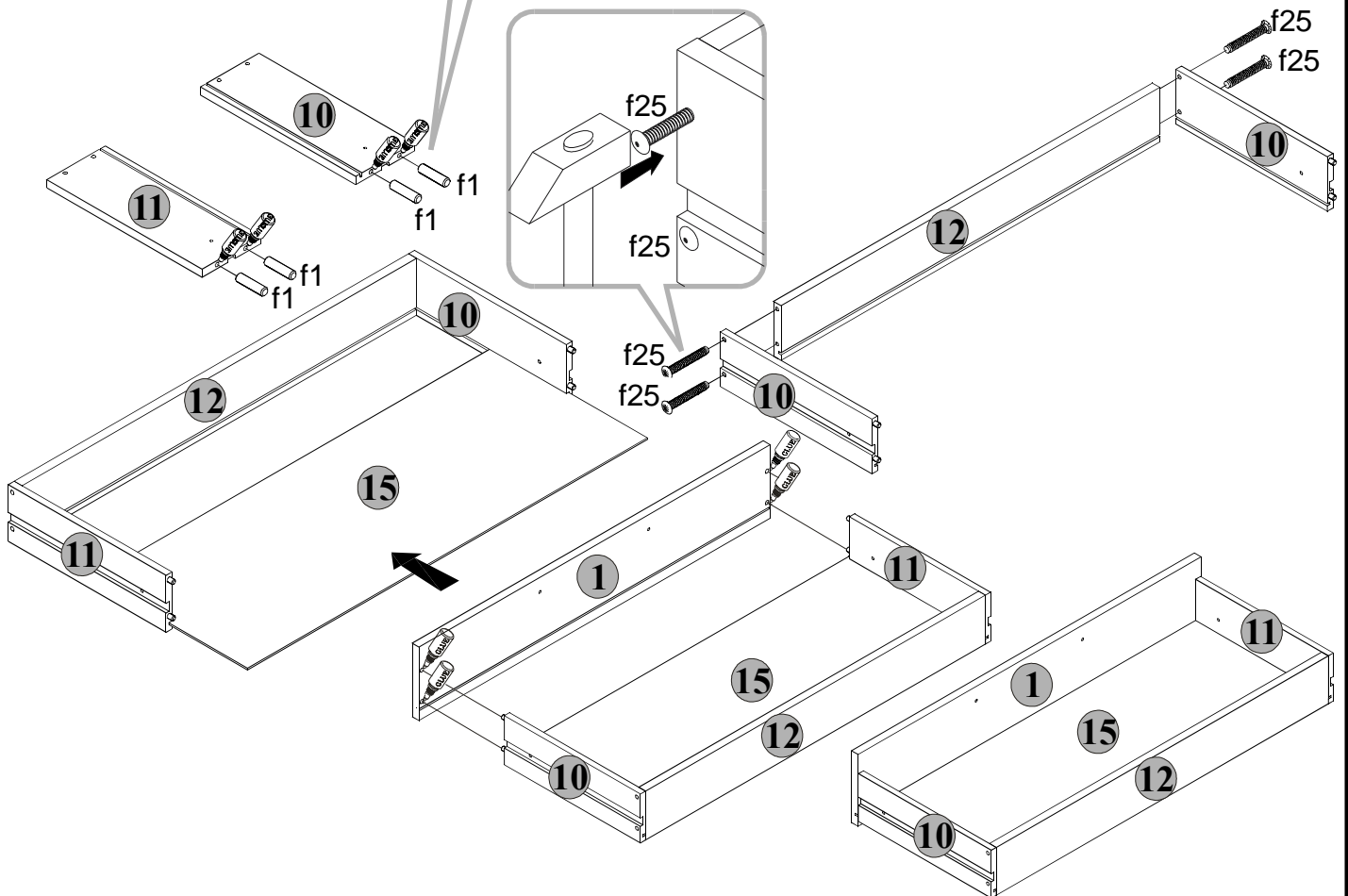
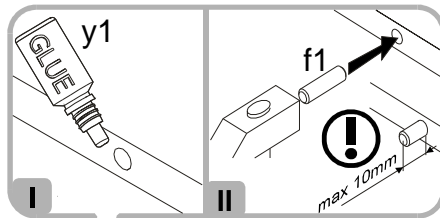
4



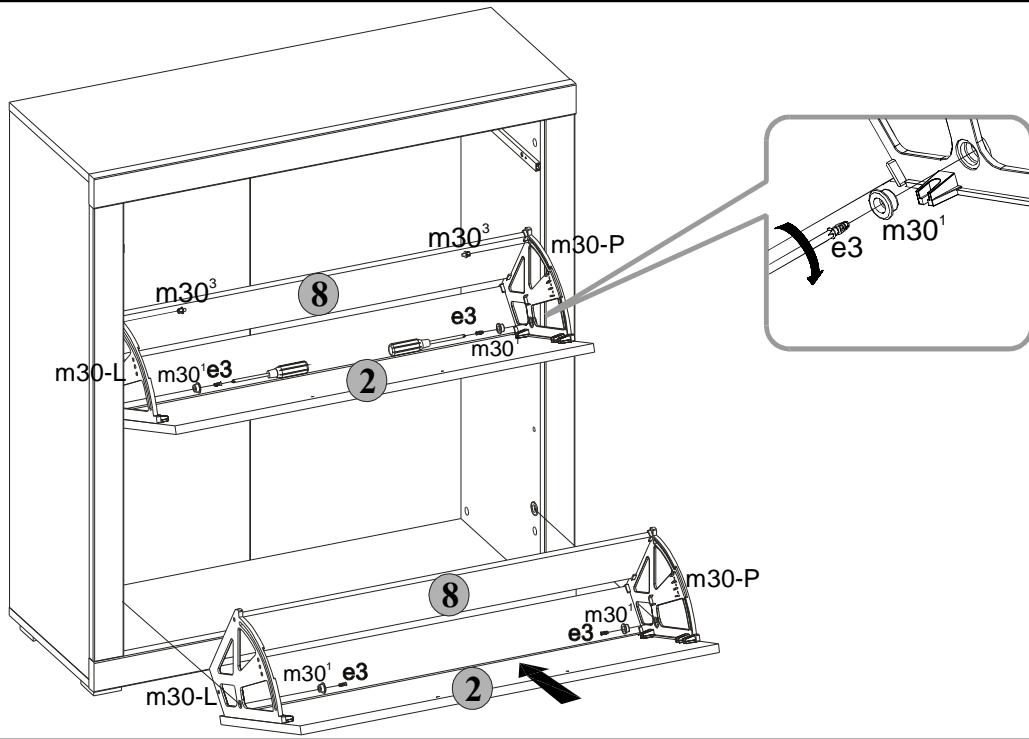
5



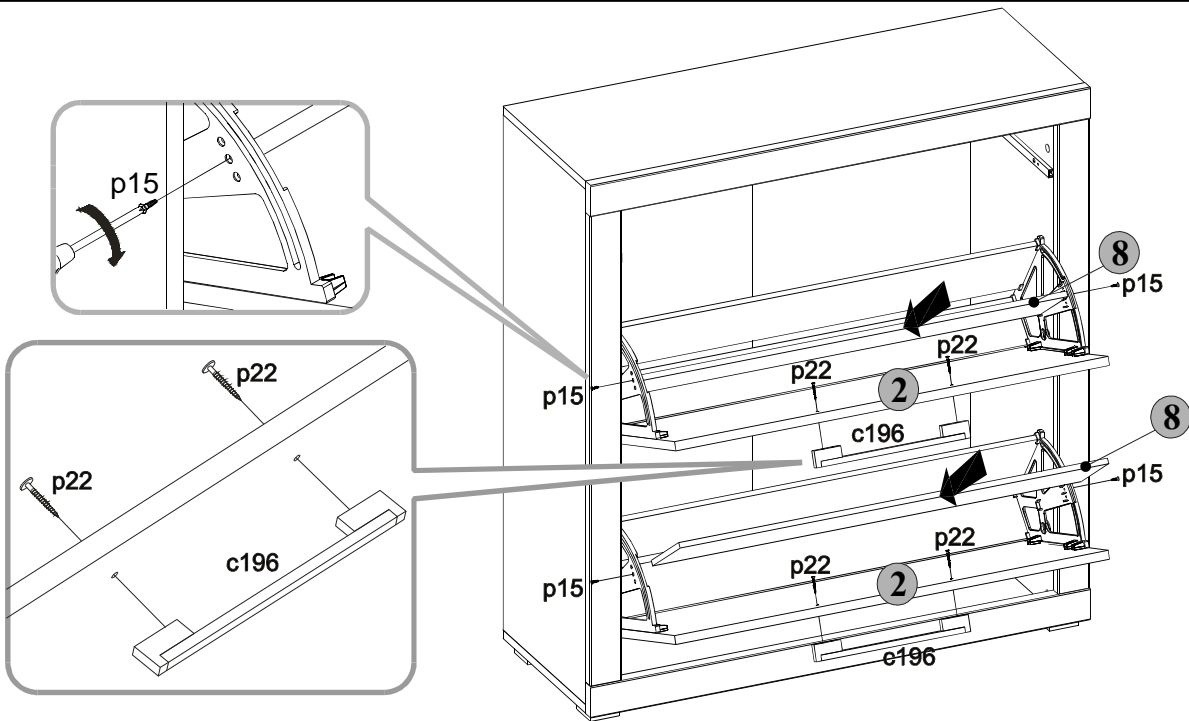
6



7



8



9

