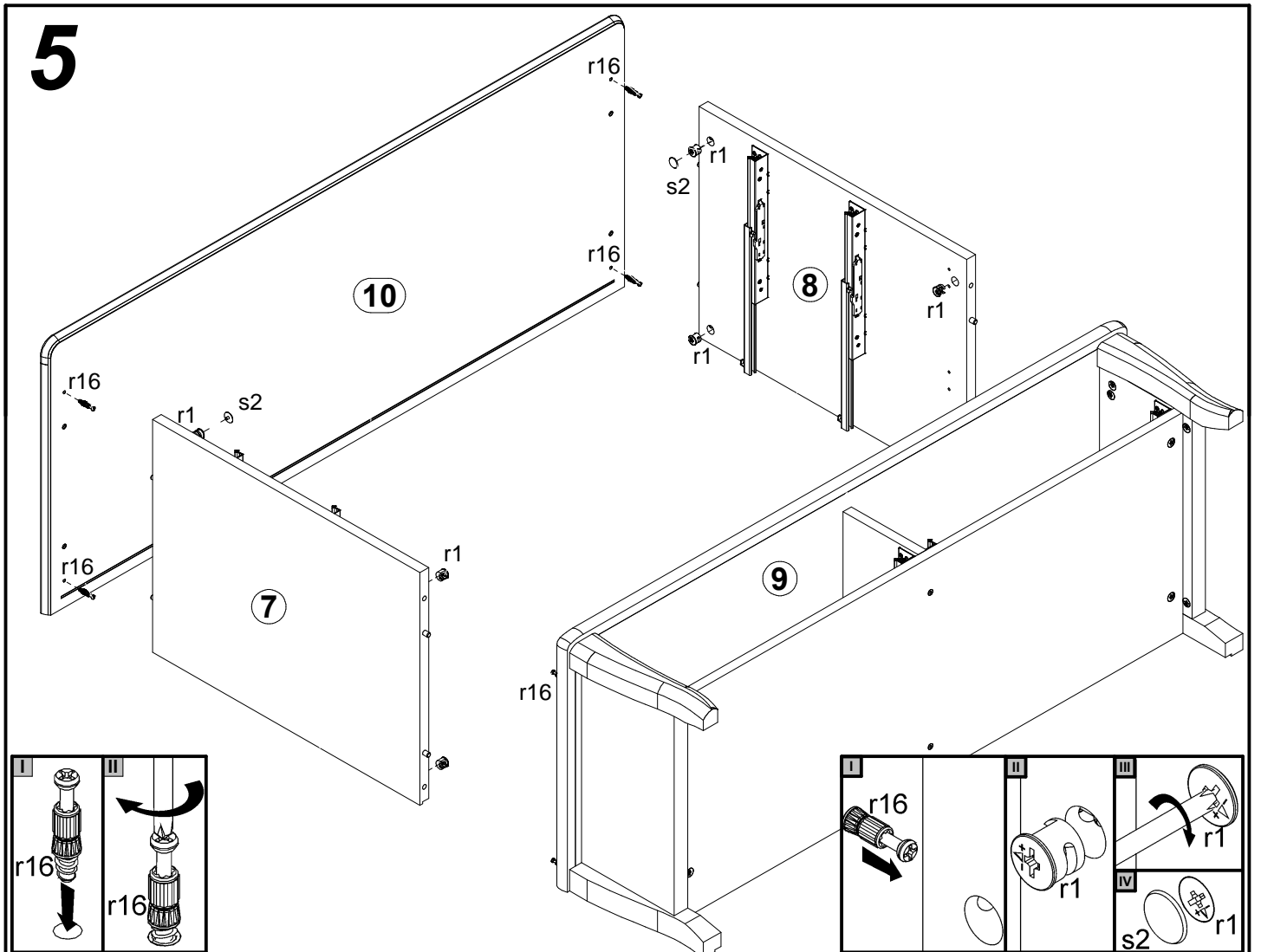
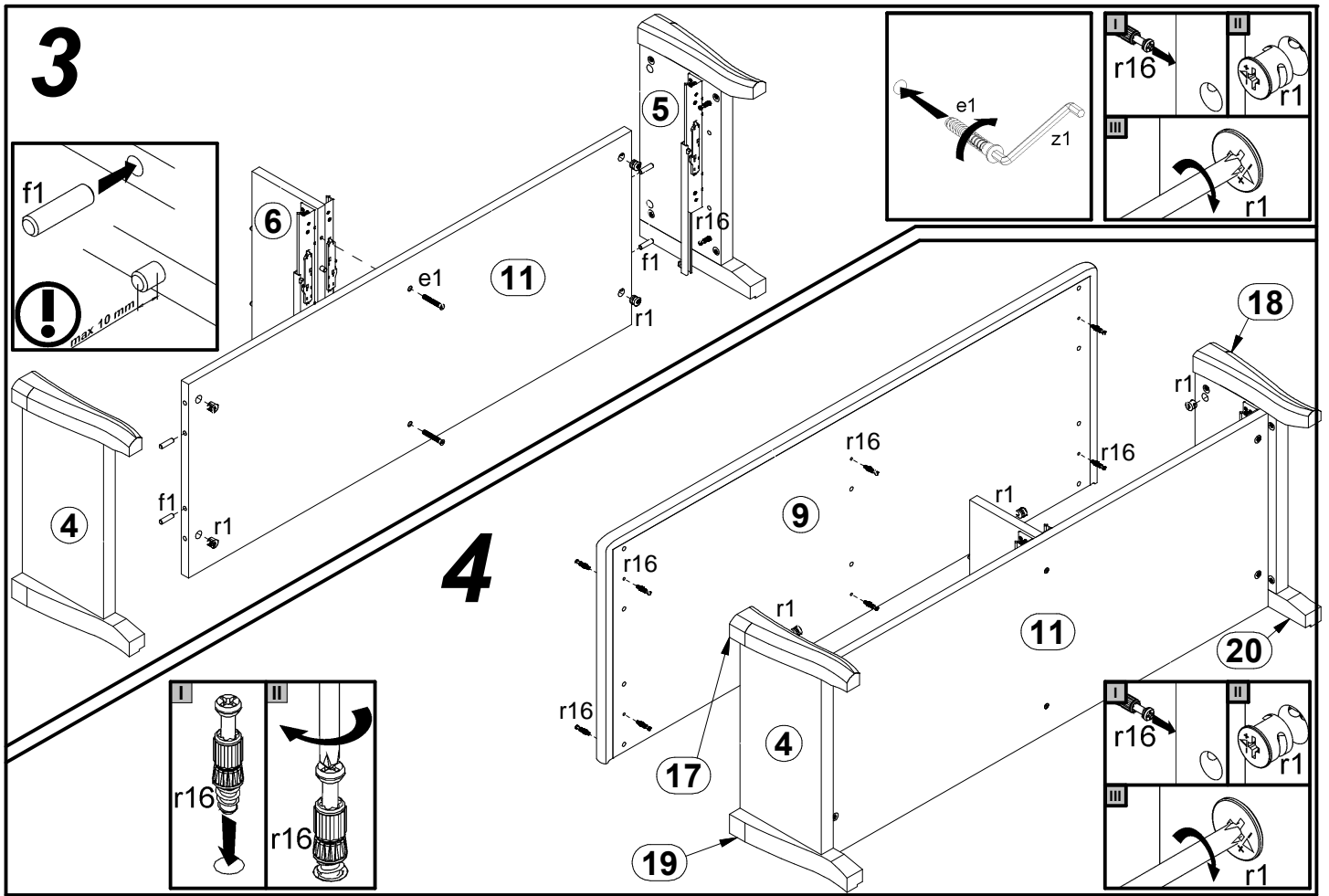
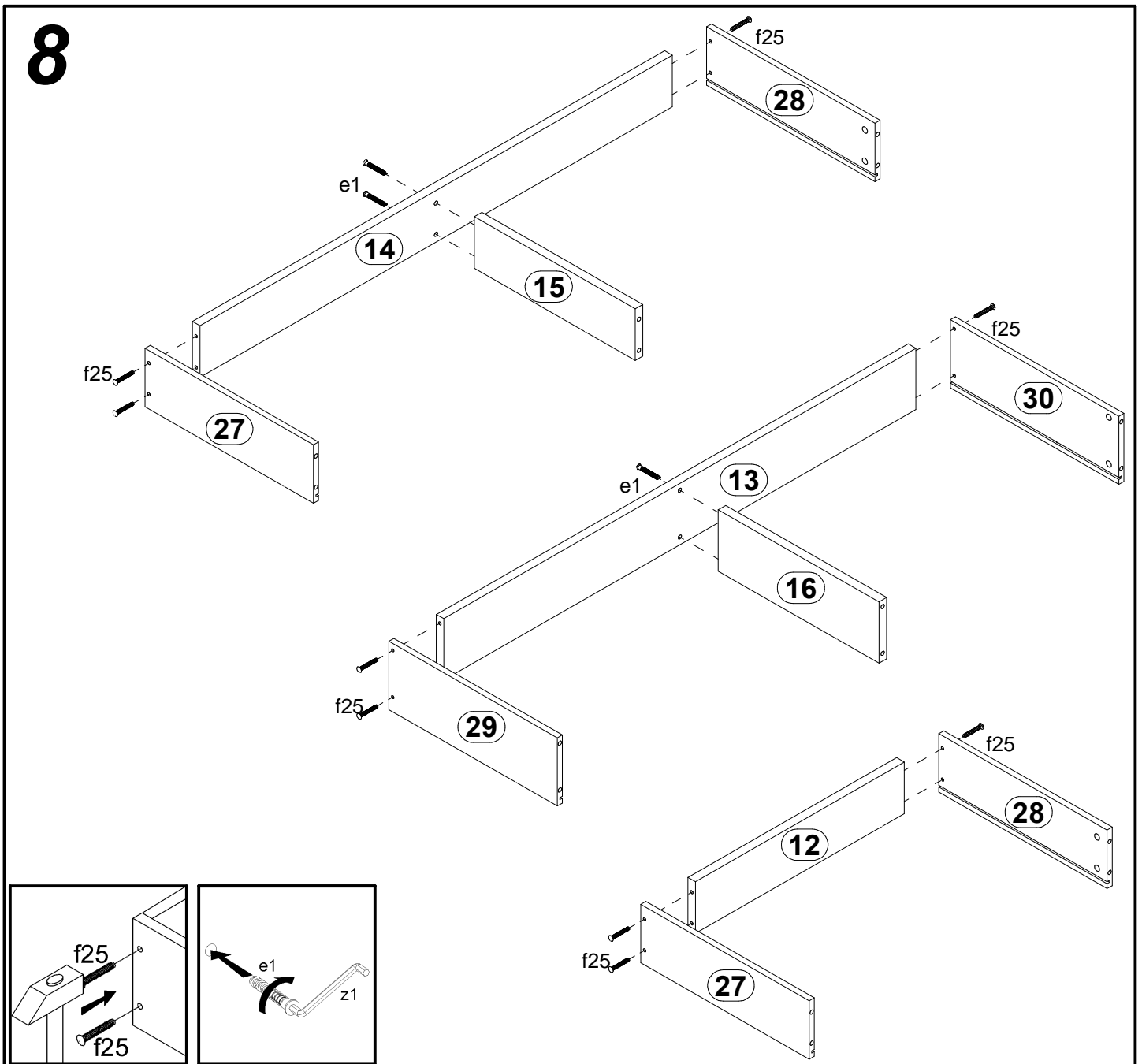
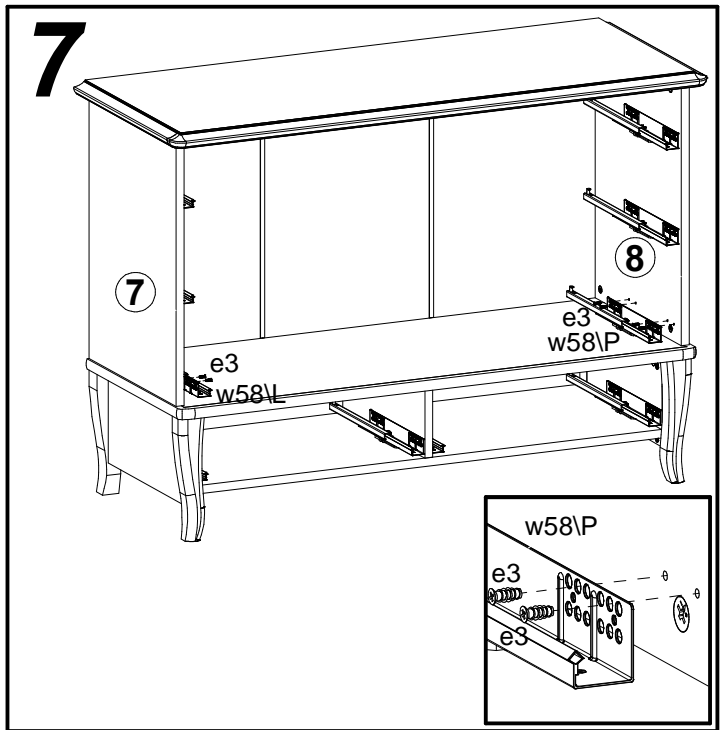
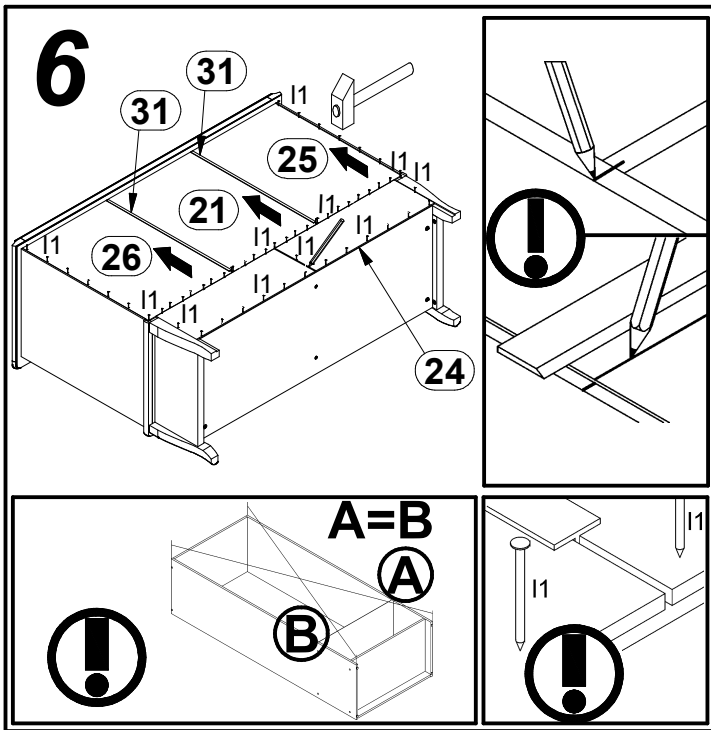


A	B	C	D	
1	S71-007	1086	196	6/6
2	S71-008	1196	207	6/6
3	S71-009	1196	151	6/6
4	S71-101	200	376	1/6
5	S71-102	200	376	1/6
6	S71-106	162	412	1/6
7	S71-107	578	435	1/6
8	S71-108	578	435	1/6
9	S71-205	1214	468	2/6
10	S71-206	1254	507	2/6
11	S71-305	1090	412	3/6
12	S71-501	496	106	1/6
13	S71-502	1122	126	3/6
14	S71-503	1122	106	3/6
15	S71-518	382	106	1/6
16	S71-519	382	126	1/6
17	S71-571	272	60	4/6
18	S71-572	272	60	4/6
19	S71-573	272	55	4/6
20	S71-574	272	55	4/6
21	S71-907	604	394	3/6
22	S71-910	507	406	3/6
23	S71-911	1133	406	3/6
24	S71-912	190	1114	3/6
25	S71-913	604	394	3/6
26	S71-914	604	394	3/6
27	ZS1-3501	400	120	1/6
28	ZS1-3502	400	120	1/6
29	ZS1-3503	400	140	1/6
30	ZS1-3504	400	140	1/6
31	lh-576	576	12	3/6

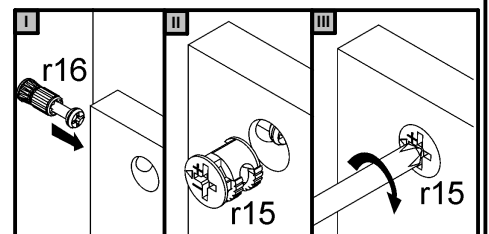
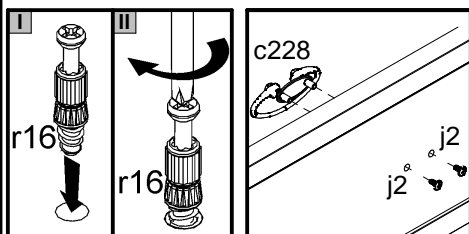
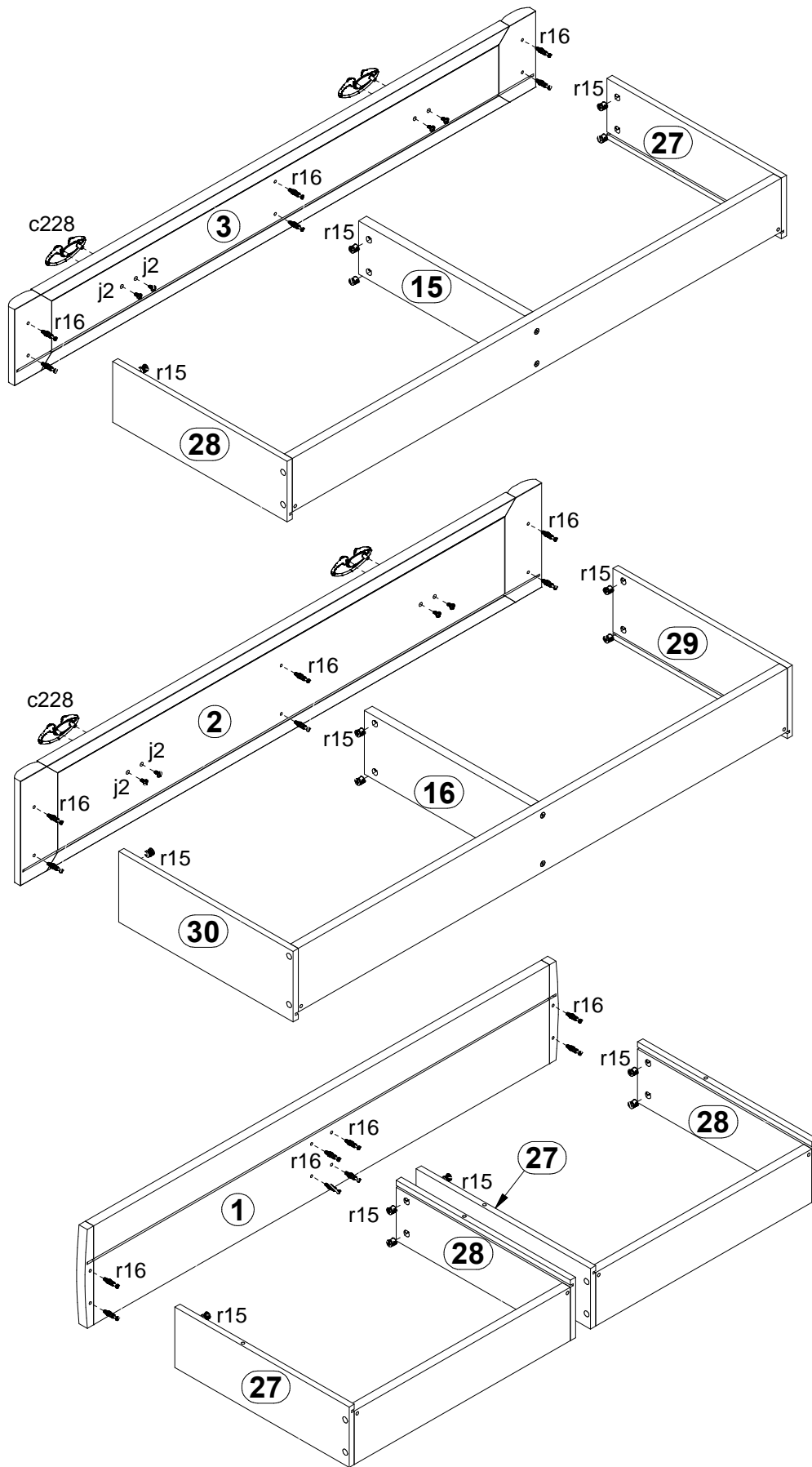
6x 32 mm  c228	8x φ7x50 mm  e1	40x φ6x13 mm  e3	32x φ8x30 mm  f1	20x φ6.5x40 mm  f25	12x M4x9 mm  j2	80x  l1	52x φ3.5x16 mm  p38	26x φ1.5x12mm #16  r1
26x φ12x10.5mm #12  r15	52x  r16	2x ø16  s2	5x Qofo L-400 mm  w58/L	5x Qofo L-400 mm  w58/P	1x  z1	1x  n26/L	1x φ3.5x16 mm  p38	



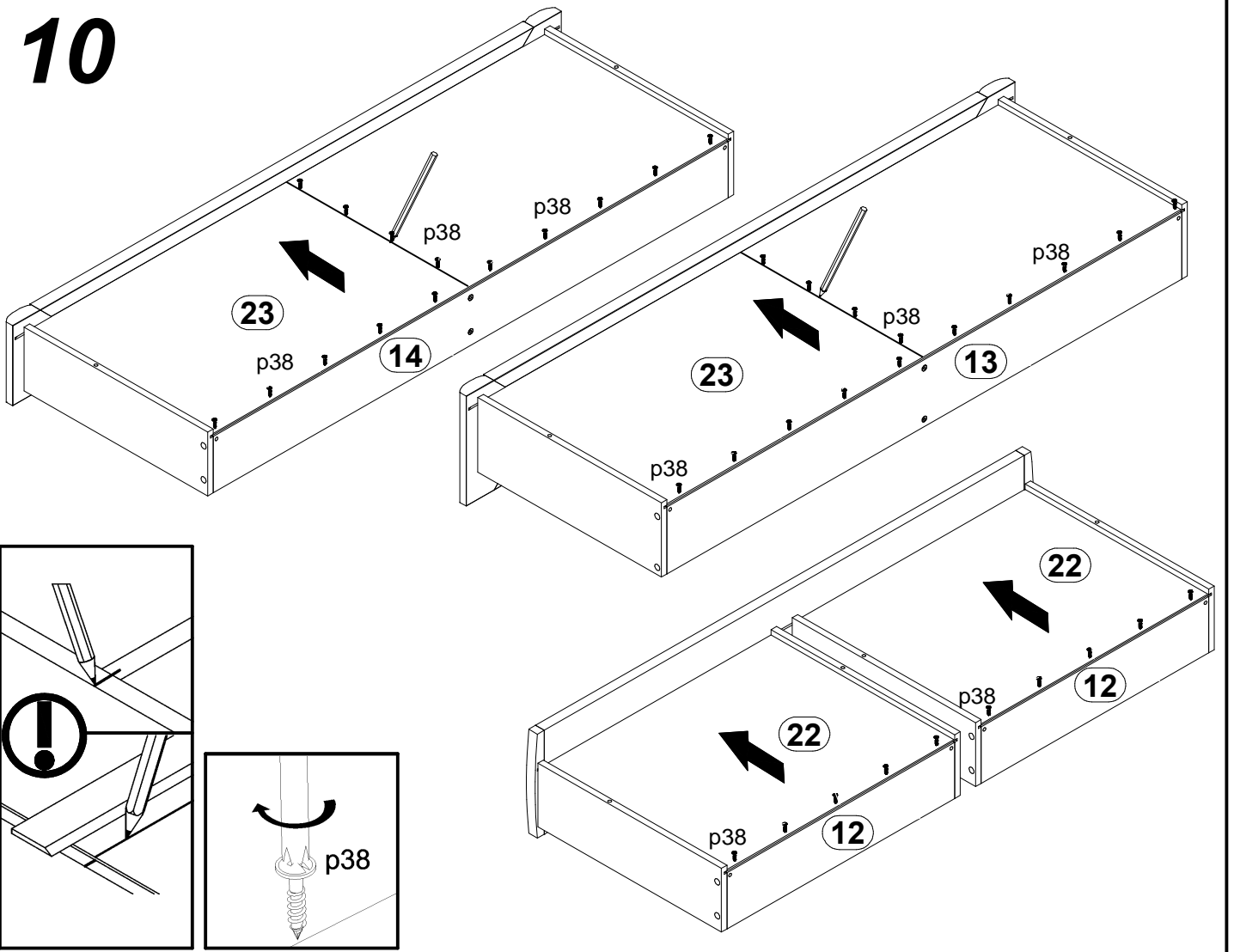




# 9



# 10



# 11

