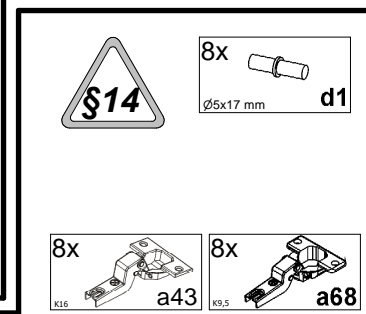
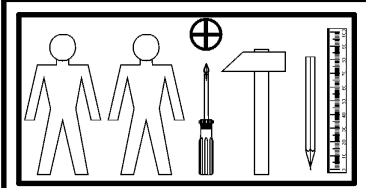
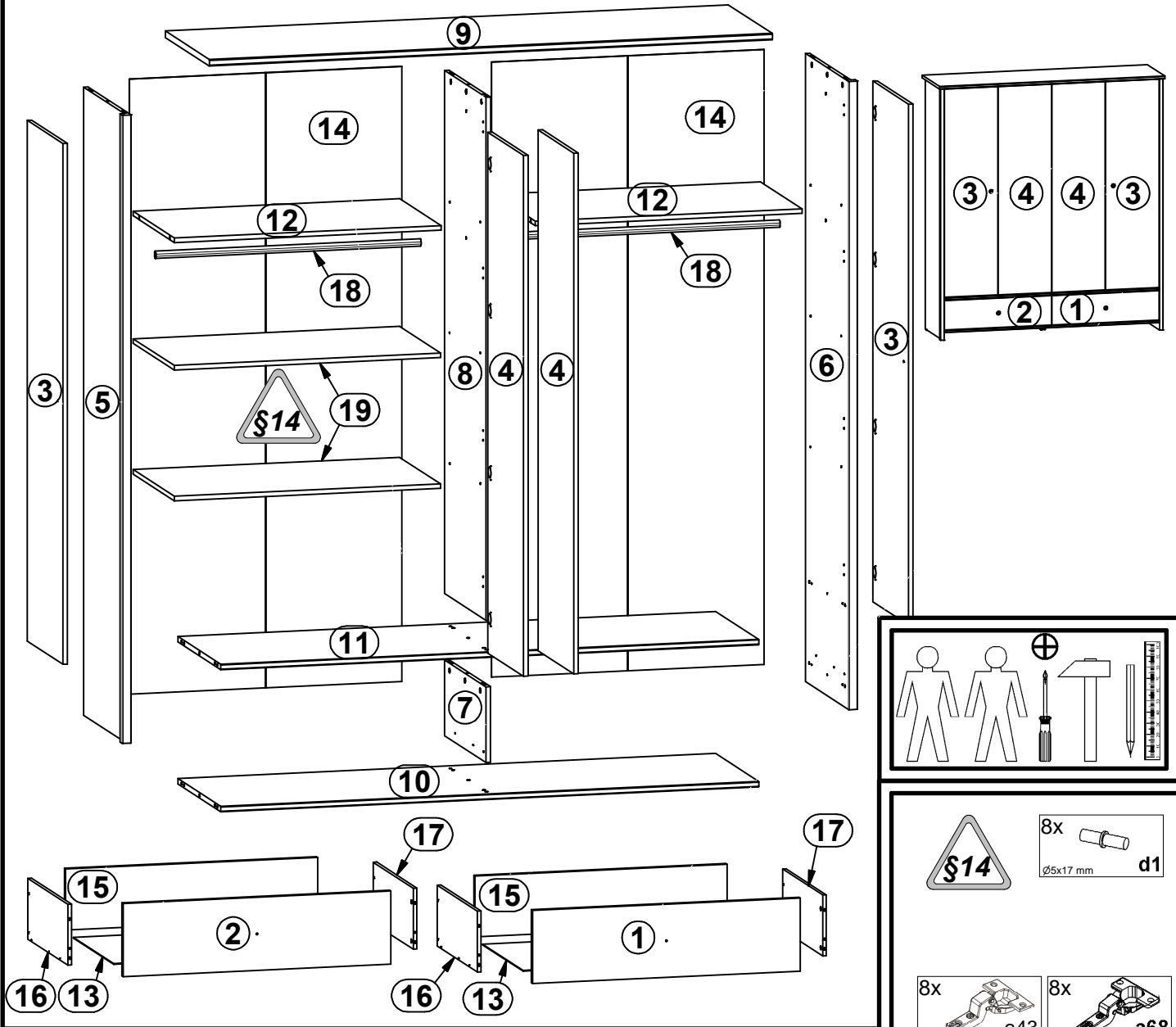


A	B	C	D	A	B	C	D	A	B	C	D			
1	S322-027	895	240	4/5	7	S322-142	248	517	1/5	13	S322-933	865	505	1/5
2	S322-028	895	240	4/5	8	S322-143	1716	519	1/5	14	S322-934	2017	911	1/5
3	S322-029	1708	446	5/5	9	S322-214	1883	551	2/5	15	ZS3-5630	843	200	3/5
4	S322-030	1708	446	5/5	10	S322-326	1799	537	2/5	16	ZS4-541	500	200	3/5
5	S322-140	2060	540	1/5	11	S322-327	1799	537	2/5	17	ZS4-542	500	200	3/5
6	S322-141	2060	540	1/5	12	S322-328	892	518	1/5	18	dr-887	887	22	2/5

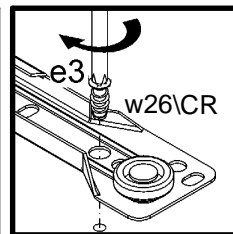
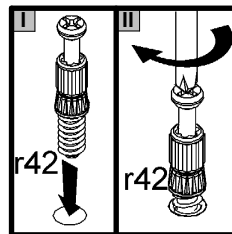
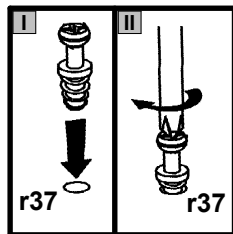
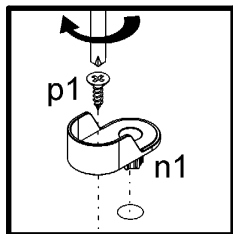
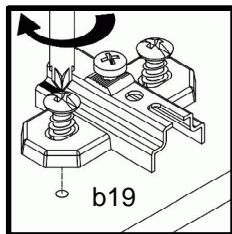
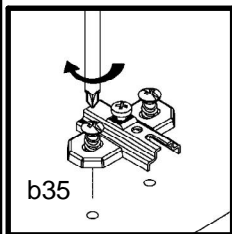
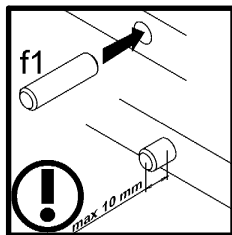
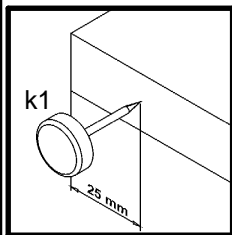
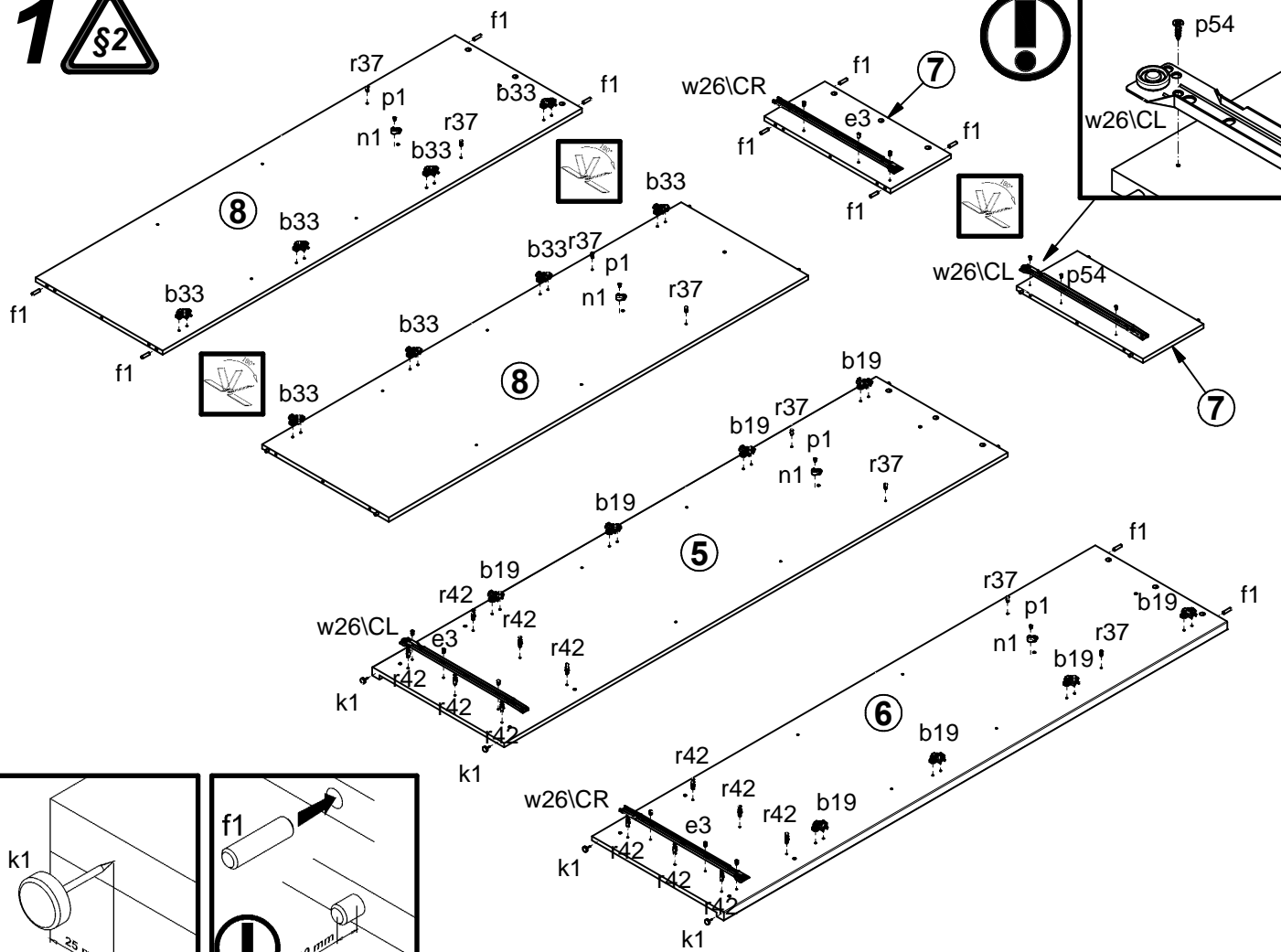


A	B	C	D	
19	S322-329	891	513	1/1

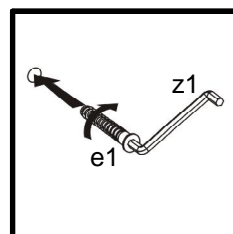
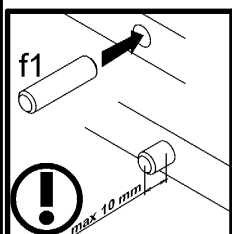
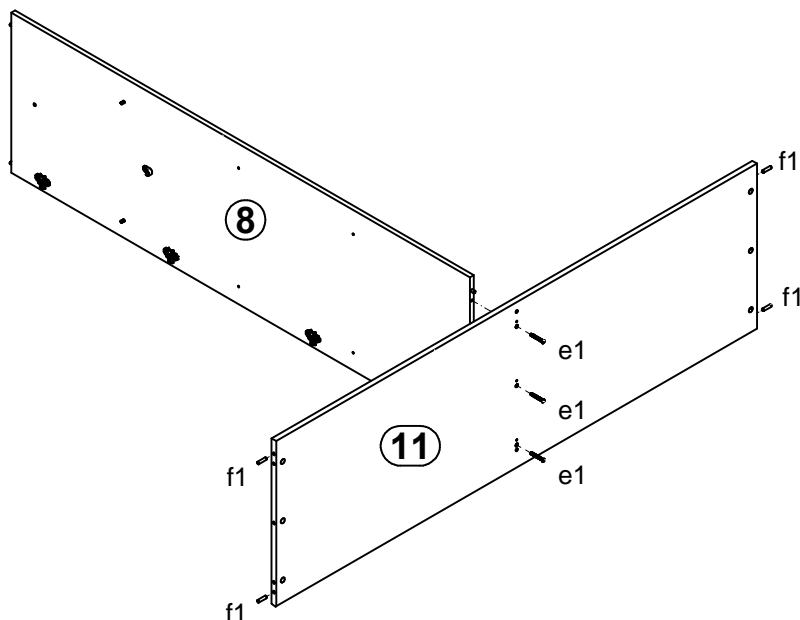


8x b19	8x b33	4x c415	6x e1	1x e2	9x e3	12x e19	20x f1	4x f9
8x f25	4x j1	4x k1	1x k38l3	1x k38l8	160x l1	4x n1	4x o21	4x p1
2x p25	2x p35	16x p38	32x p51	3x p54	24x r1	8x r15	8x r37	8x r36
32x r42	9x s2	2x t34	2x w26\CL	2x w26\CR	2x w26\DL	2x w26\DR	1x z1	

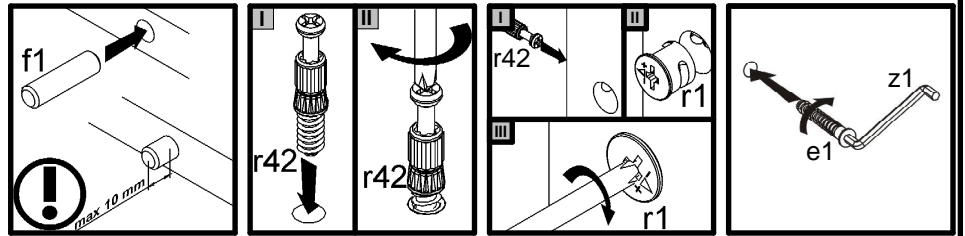
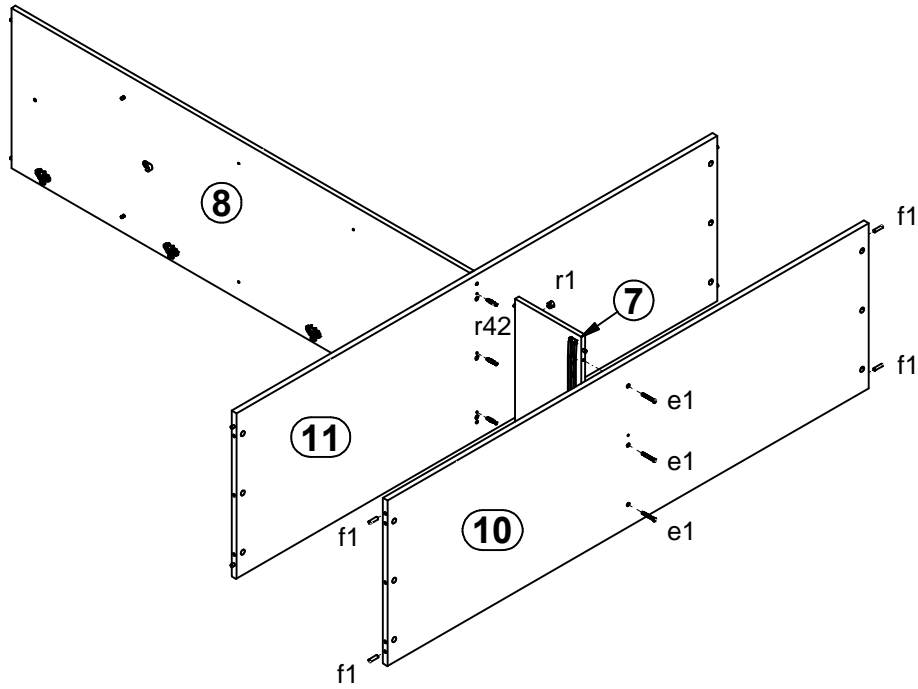
1



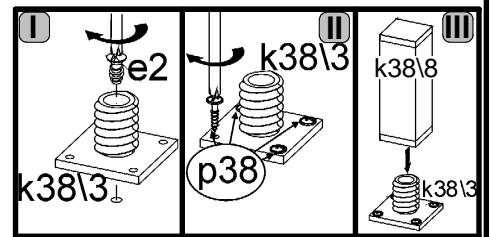
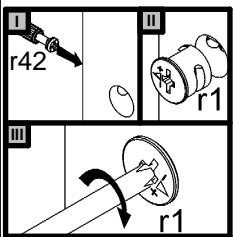
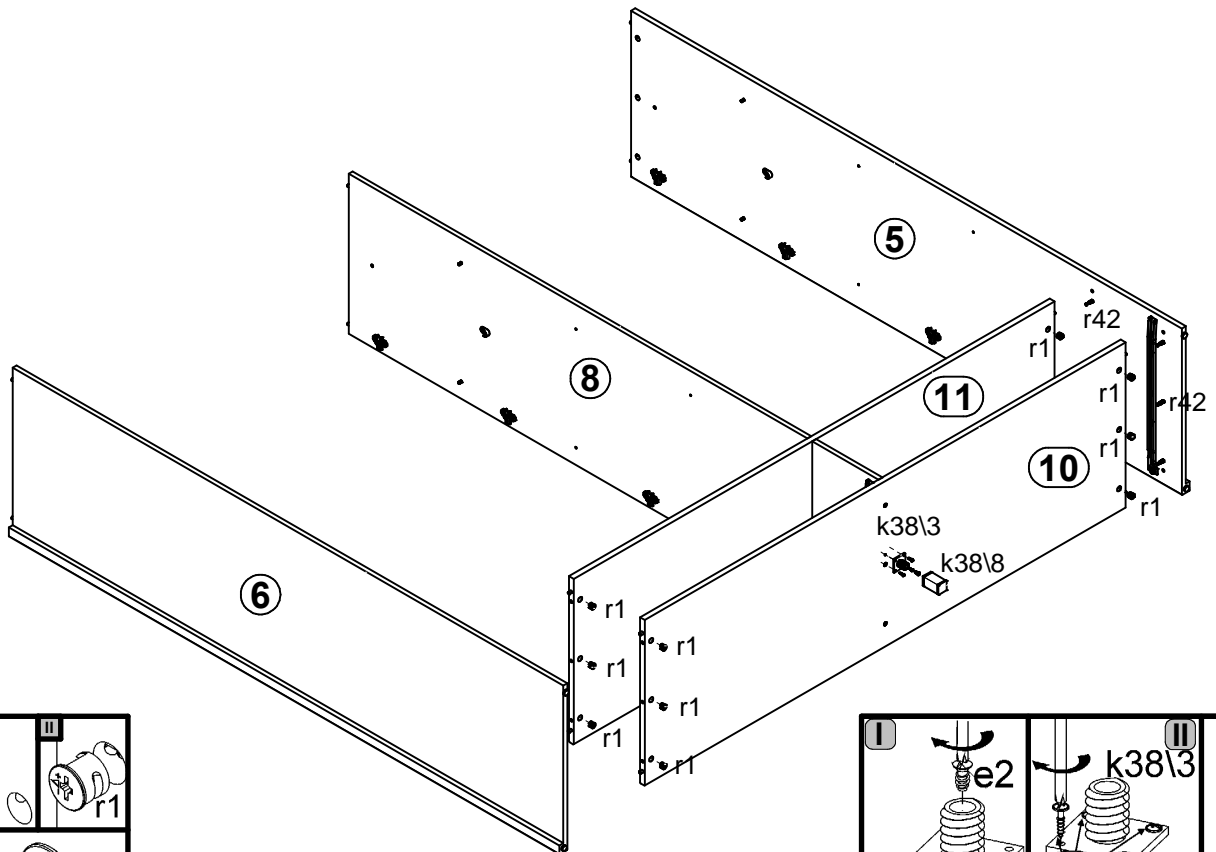
2



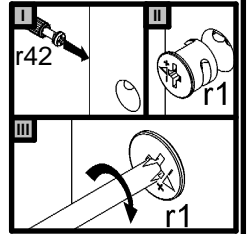
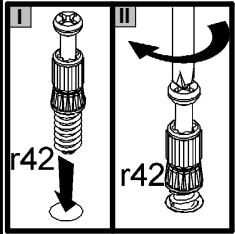
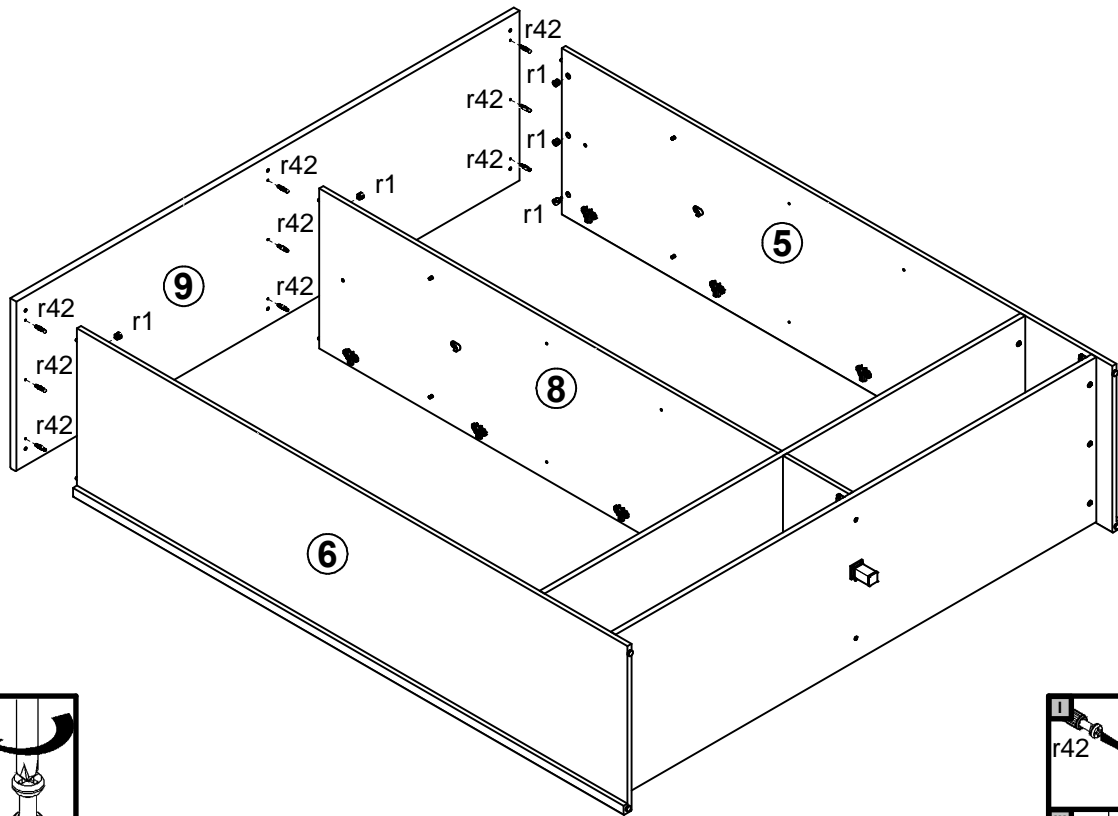
3



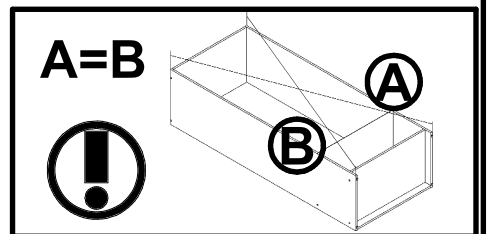
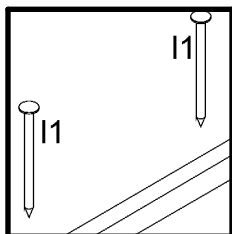
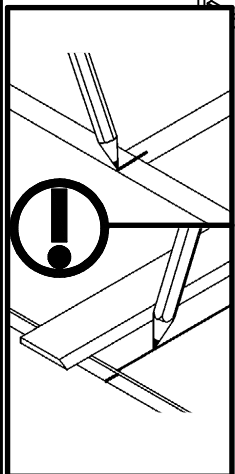
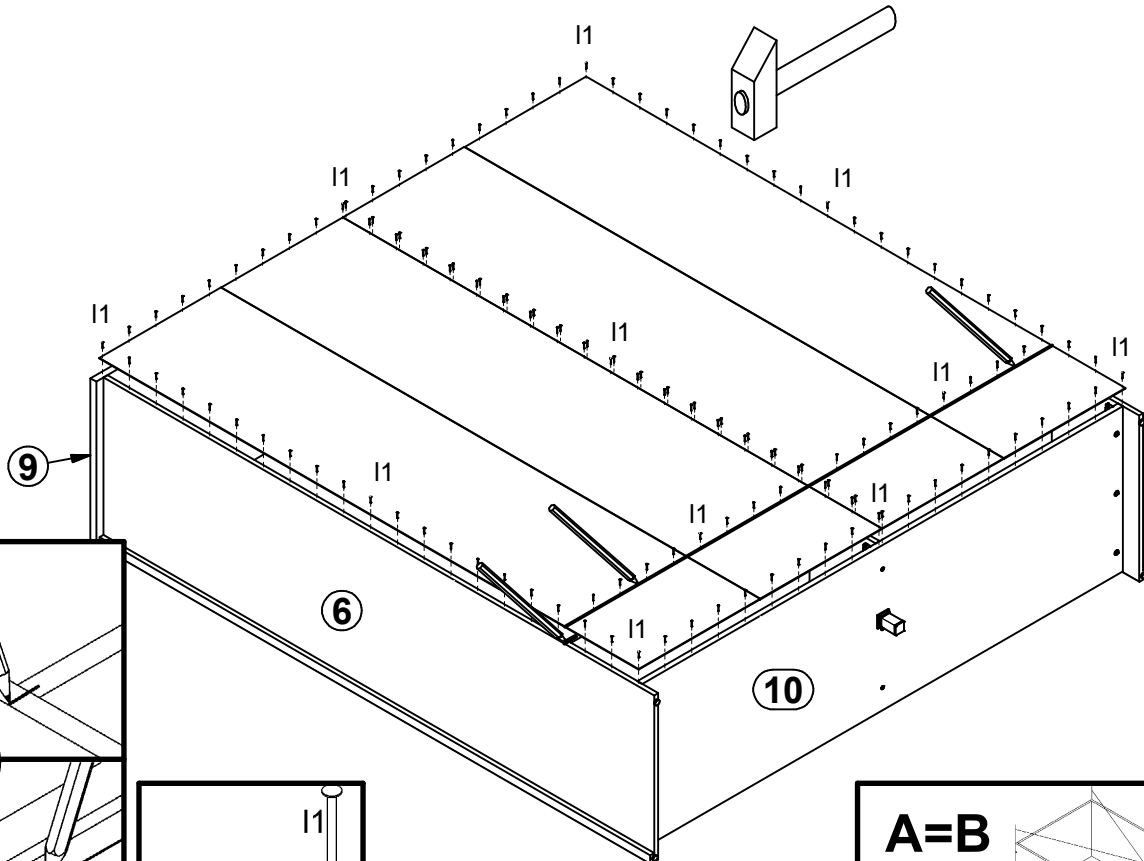
4



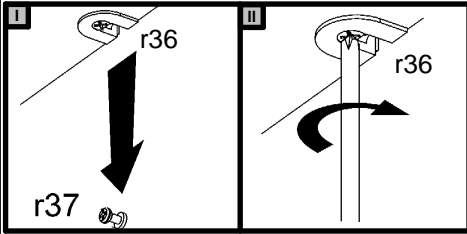
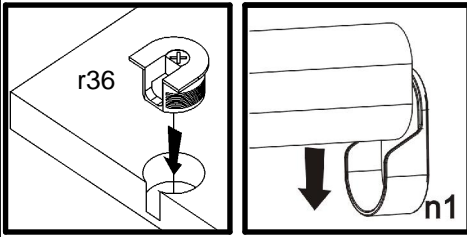
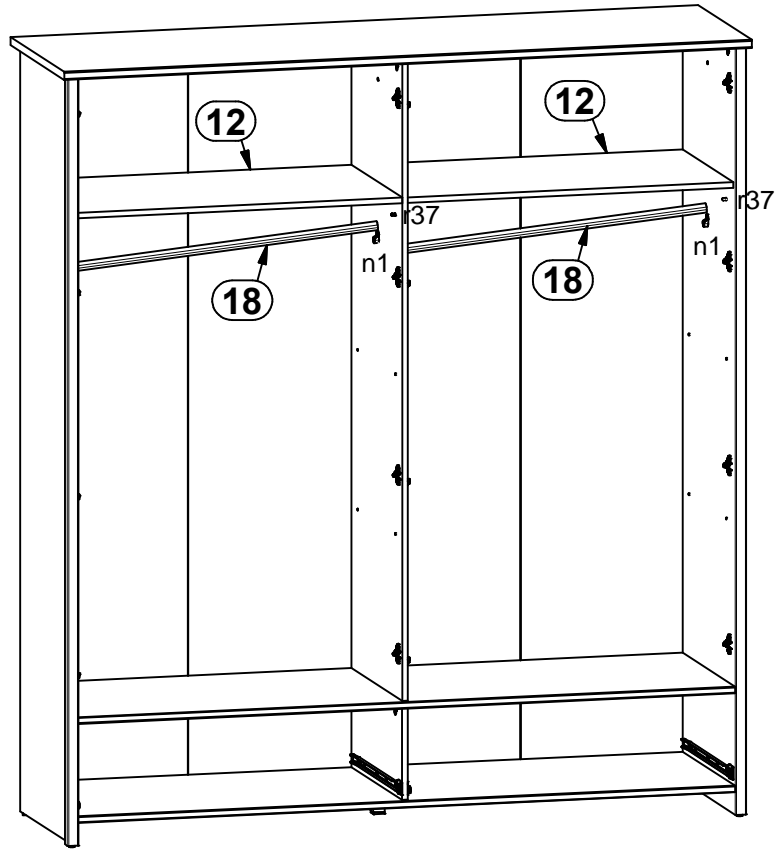
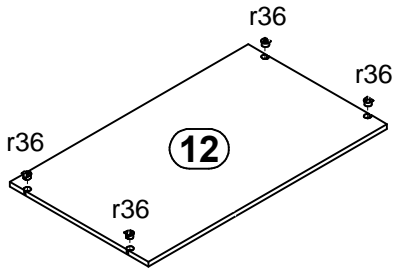
5



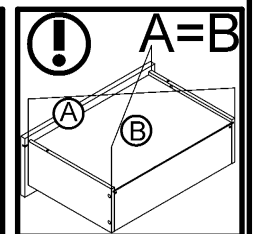
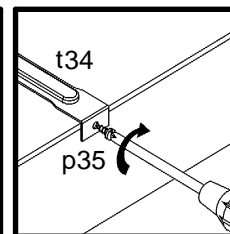
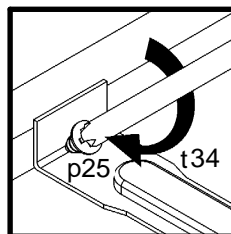
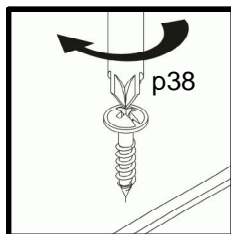
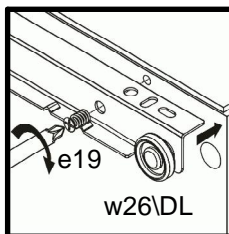
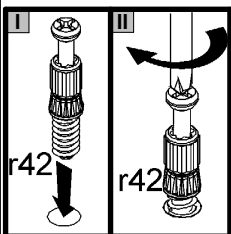
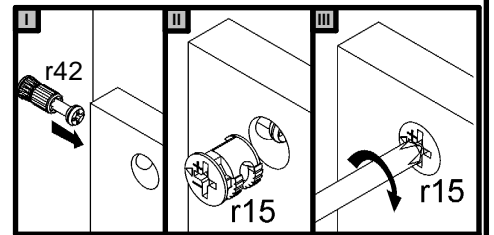
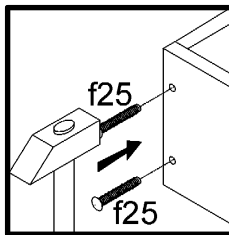
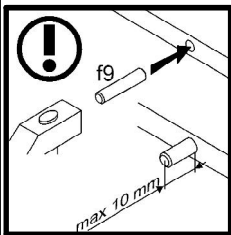
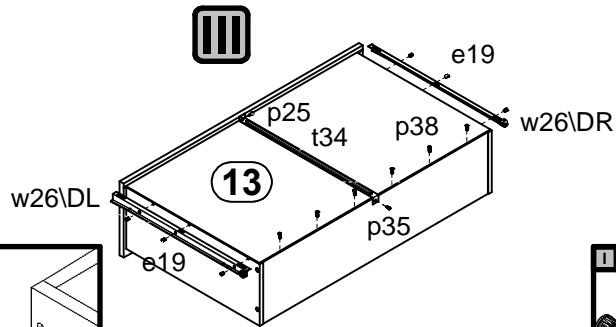
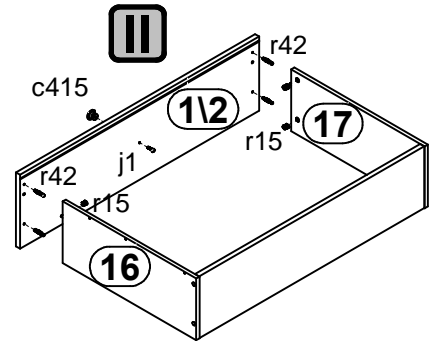
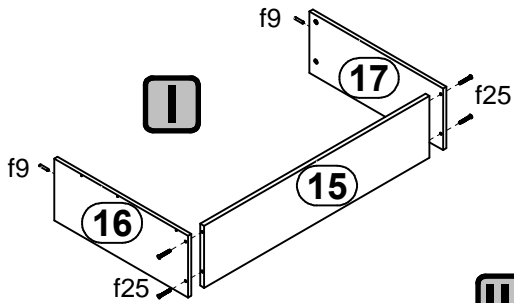
6



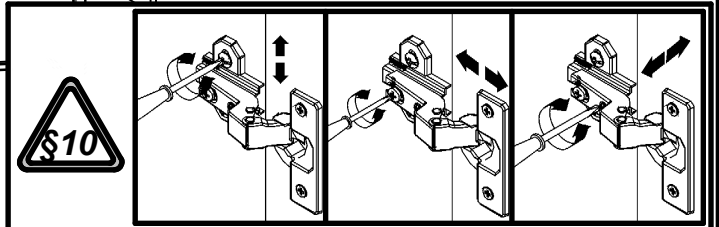
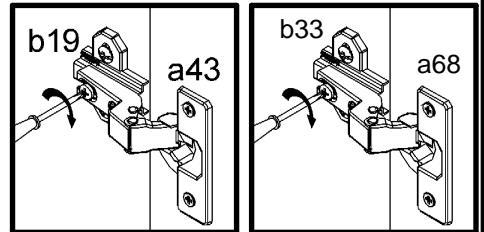
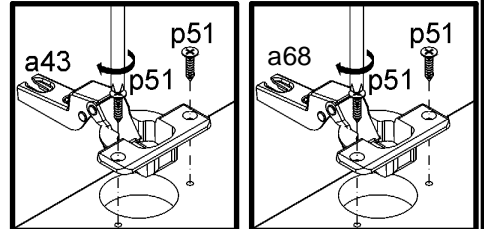
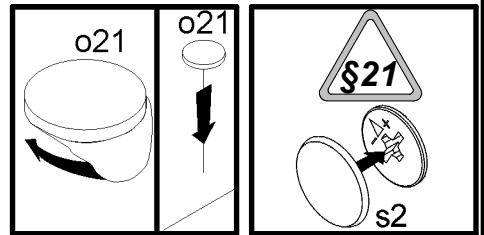
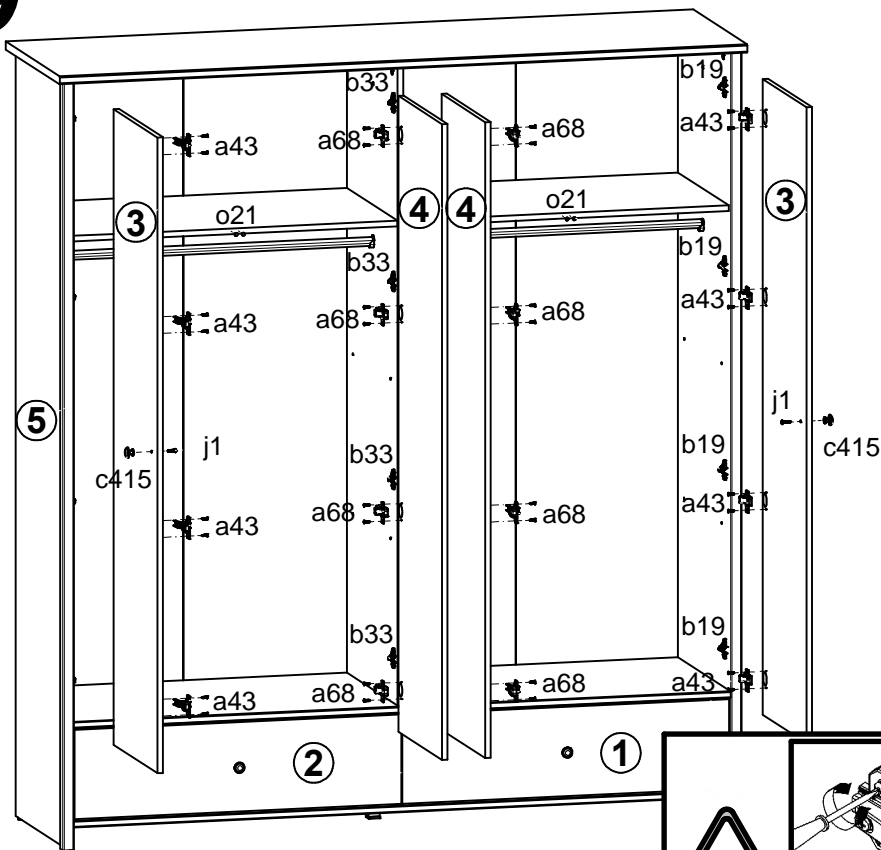
7



8



9



10

