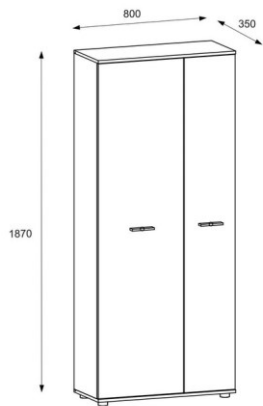
















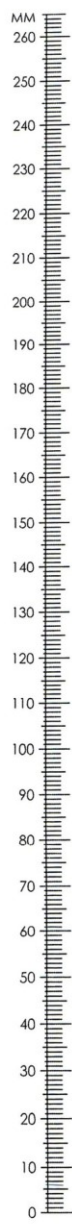


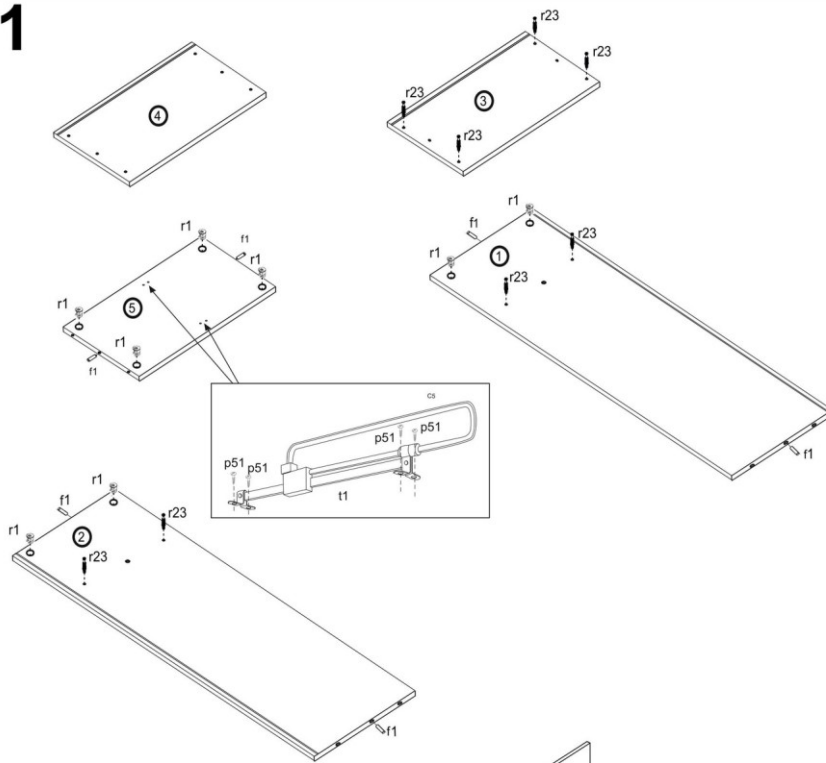
A	B	C	(mm)	Colli
1	1001	1813	330	1/2
2	1002	1813	330	1/2
3	1003	800	350	2/2
4	1004	800	350	2/2
5	1005	767	310	2/2
6	1006	1823	389	2/2
7	1007	1823	389	2/2
8	1008	1807	296	1/2
9	1009	1807	496	1/2



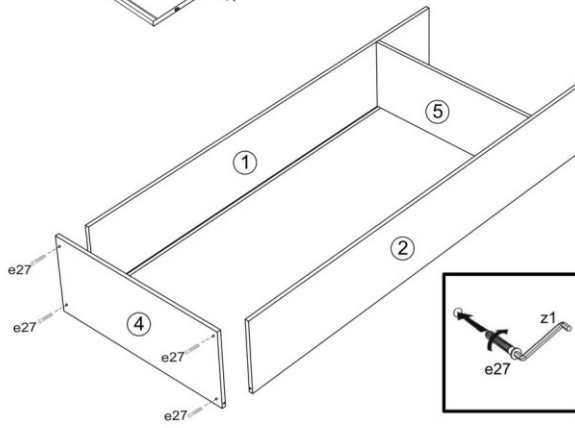
<p>4x  $\phi 6,4 \times 50$ mm e27</p>		
<p>6x  $\phi 8 \times 30$ mm f1</p>	<p>8x  44mm r23</p>	<p>8x  $\phi 15 \times 12$ mm r1</p>
<p>8x  $\phi 18$ s3</p>	<p>2x  L= 128 mm c235</p>	<p>4x  k43</p>
<p>8x  40x50x12 mm b19</p>	<p>8x  $\phi 35$ a99</p>	<p>1x  I-300 t1</p>
<p>18x  10x10x15 mm l2</p>	<p>4x  $\phi 4 \times 25$ mm p9</p>	<p>1x  81x21x15/1,5mm n14/2</p>
<p>1x  4mm z1</p>	<p>26x  3,5x16 mm p51</p>	<p>4x  $\phi 4 \times 25$ mm p8</p>



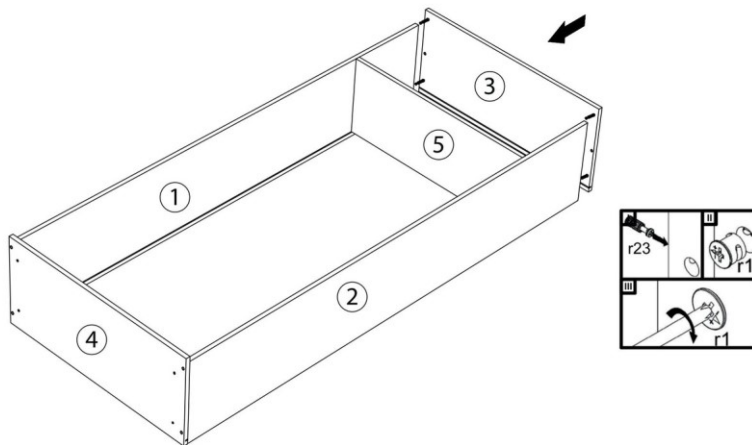
1



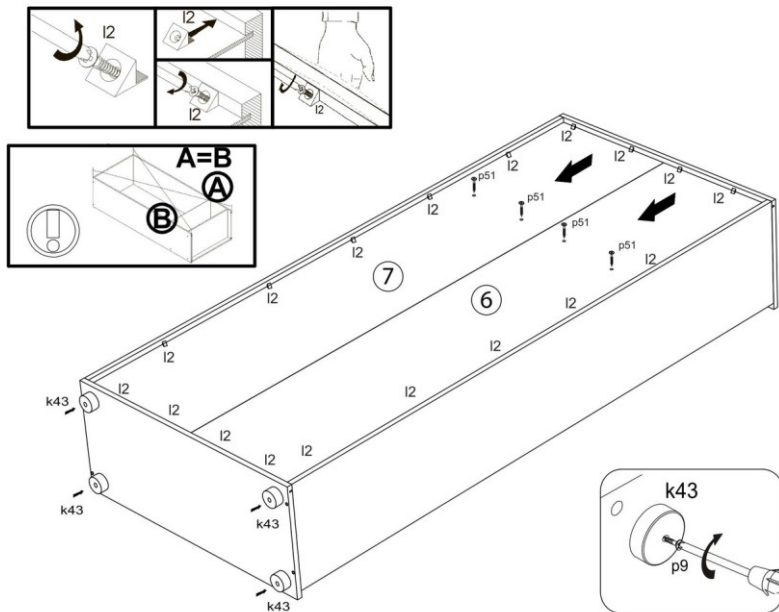
2



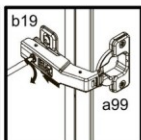
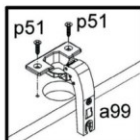
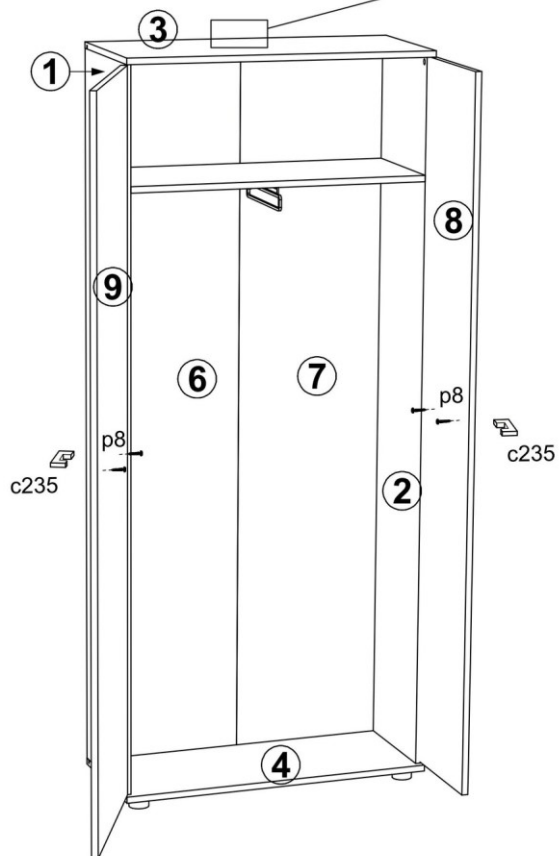
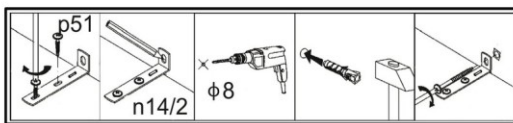
3



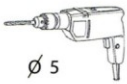
4



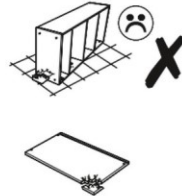
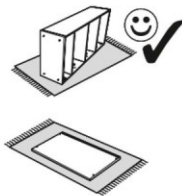
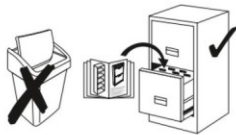
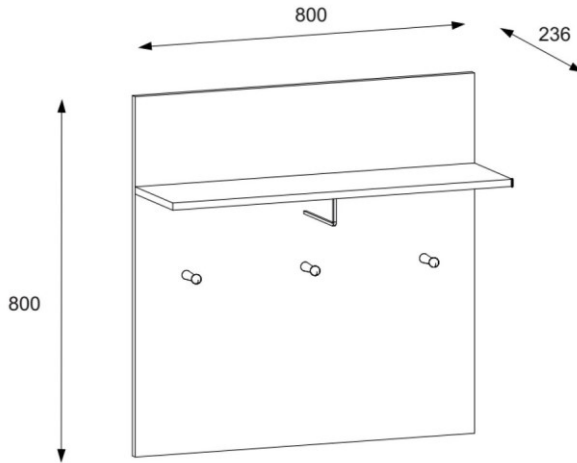
5

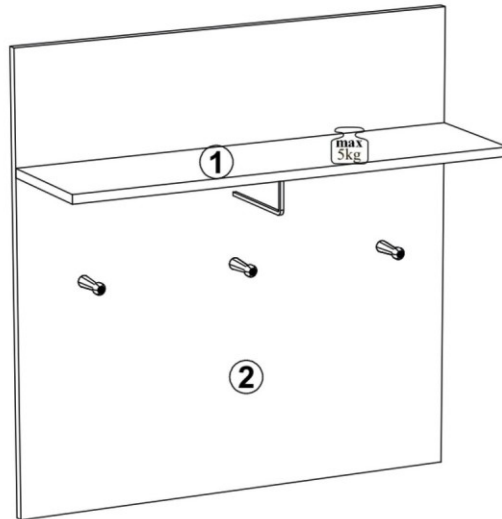
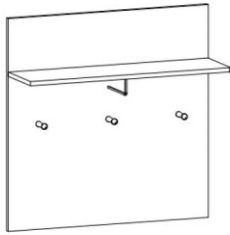


Modell P-011 TYP B

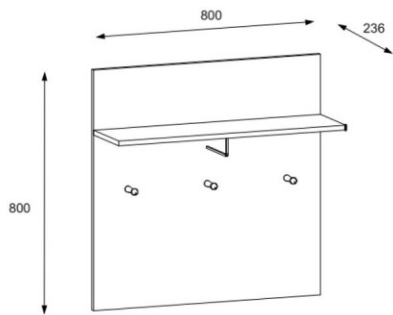










∅ 5





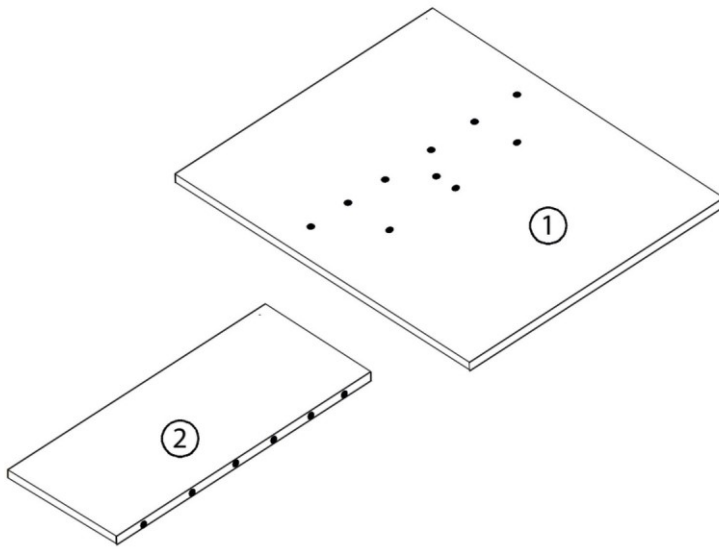
A	B	C	(mm)	Colli
1	3001	800	220	1/1
2	3002	800	800	1/1



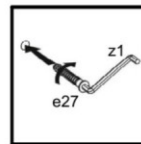
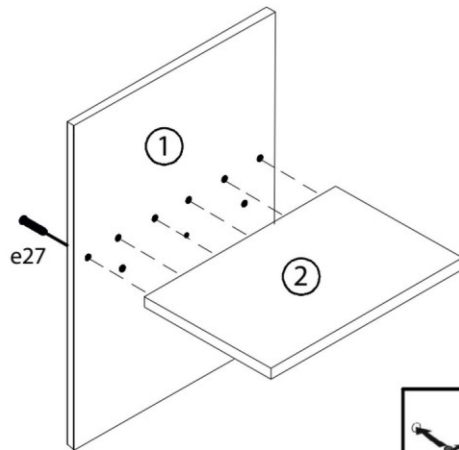
	1x  ø 18 s2	6x  ø6,4x50 mm e27
1x  v1	3x  k1	2x  g2
1x 4mm  z1	5x  ø4x30 mm p10	4x  ø5 x11 mm e5



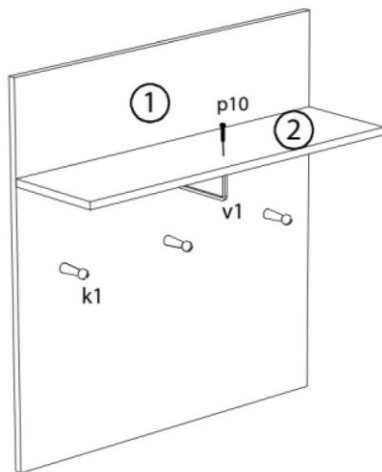
1



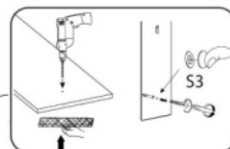
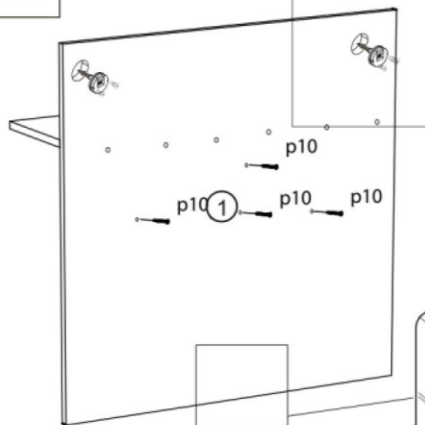
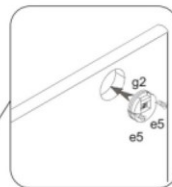
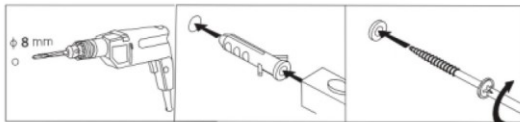
2



3

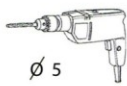
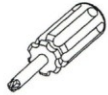


4

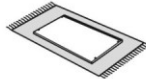
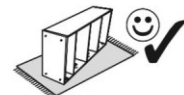
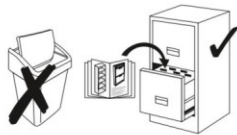
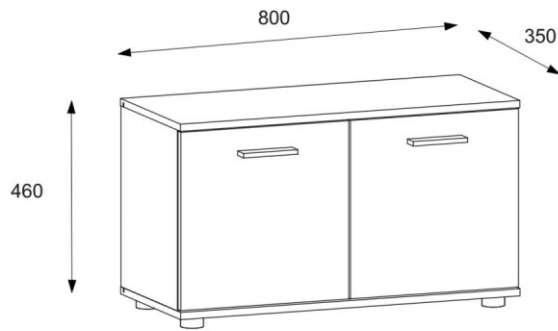


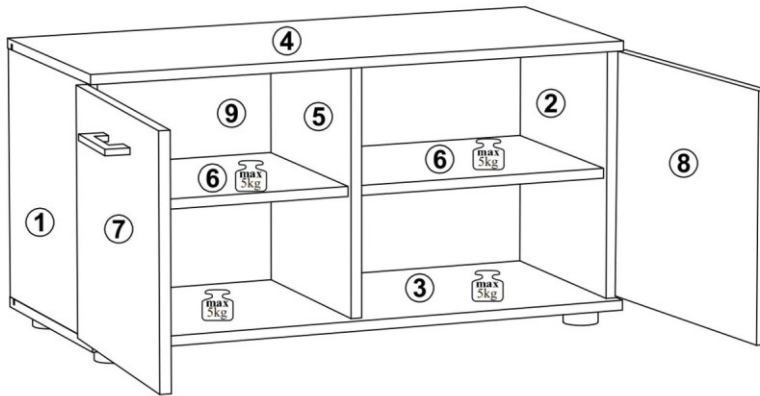
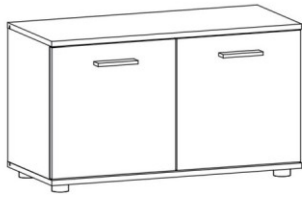
6/7

Modell P-011 TYP C

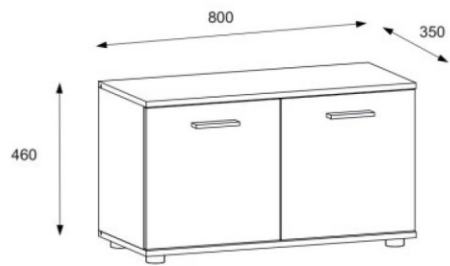


∅ 5

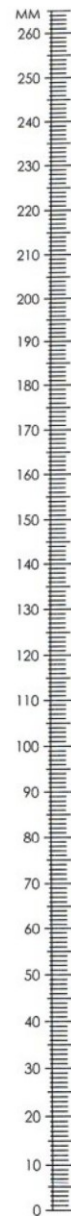




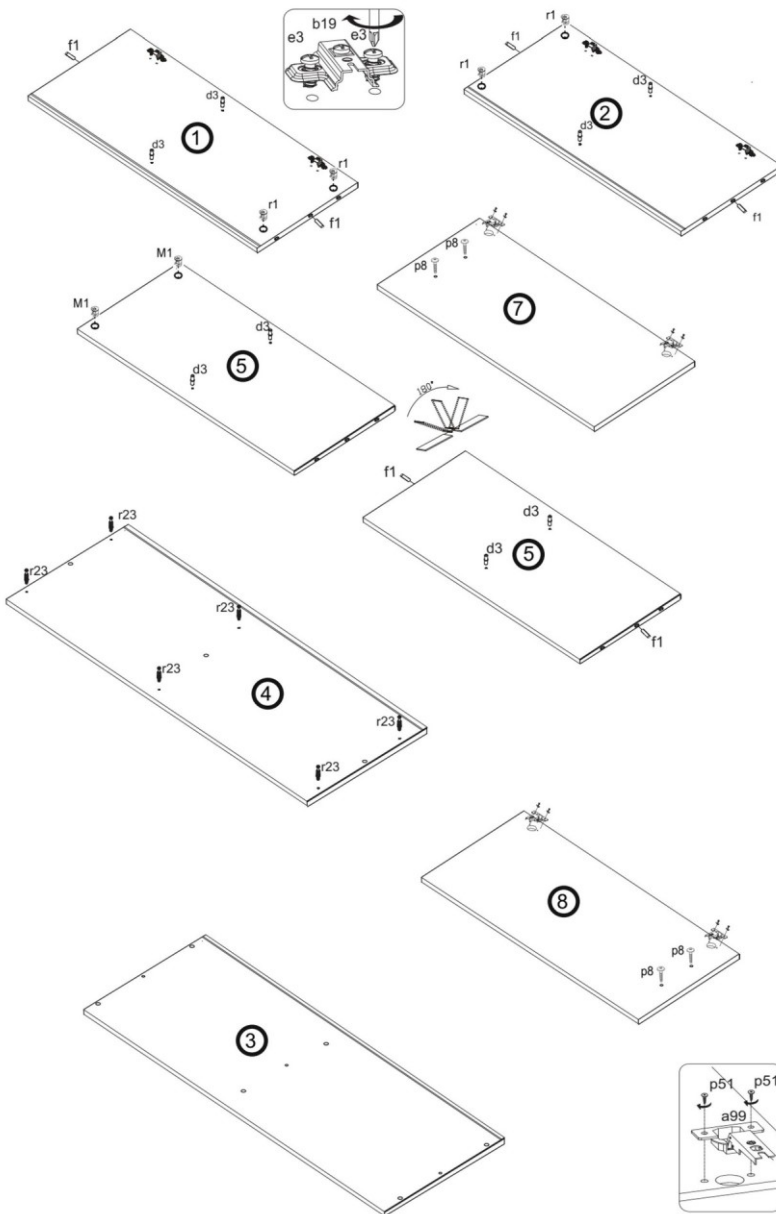
A	B	C	(mm)	Colli
1	2001	402	330	1/1
2	2002	402	330	1/1
3	2003	800	350	1/1
4	2004	800	350	1/1
5	2005	402	310	1/1
6	2006	375	300	1/1
7	2007	396	396	1/1
8	2008	396	396	1/1
9	2009	781	416	1/1



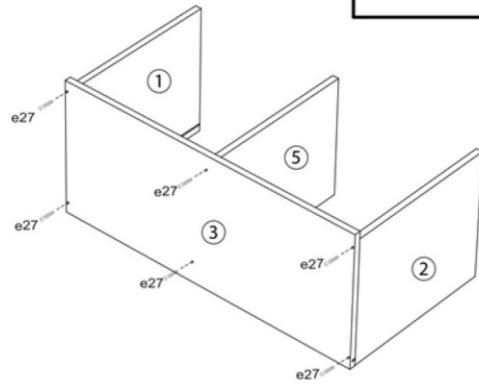
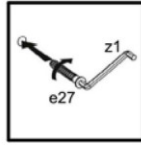
		1x 4mm z1
		6x φ6,4x50 mm e27
6x φ8x30 mm f1	6x 44mm r23	6x φ15x12mm r1
6x φ 18 s3	2x L= 128 mm c235	5x k43
4x 40x50x12 mm b19	4x φ 35 a99	8x φ 5 B1
12x 10x10x15 mm l2	5x φ4x25 mm p9	1x 81x21x15/1,5mm n14/2
8x 6,3x13 mm e3	11x 3,5x16 mm p51	4x φ4x25 mm p8



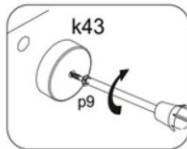
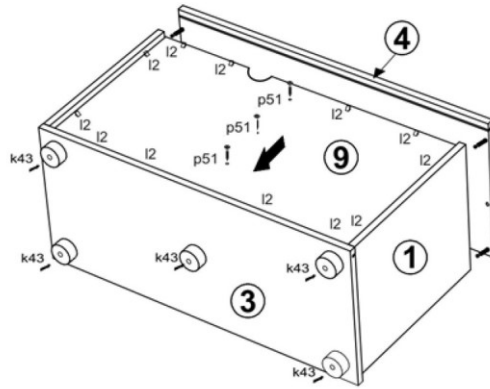
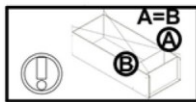
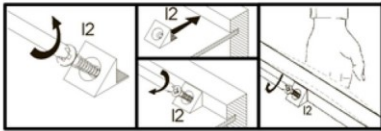
1



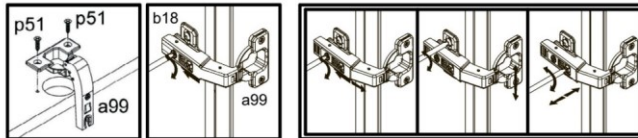
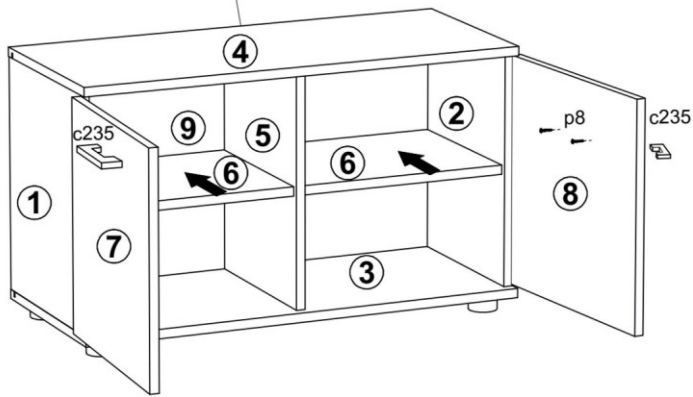
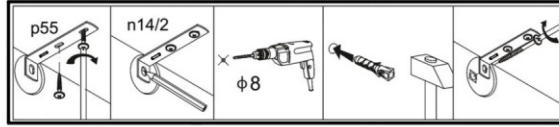
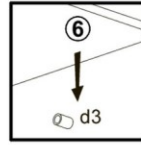
2



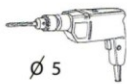
3



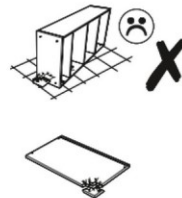
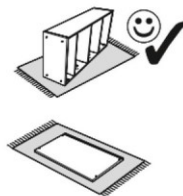
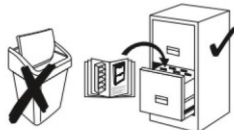
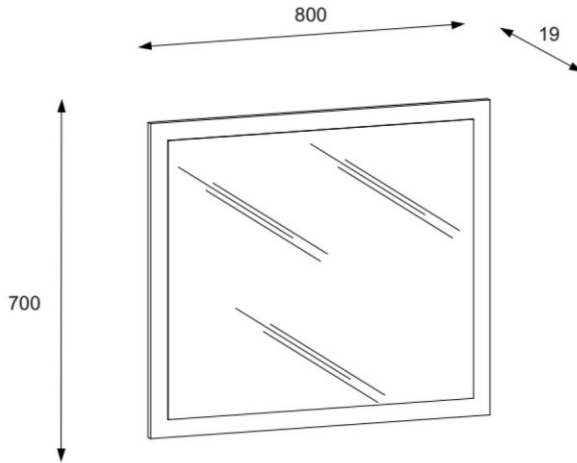
4

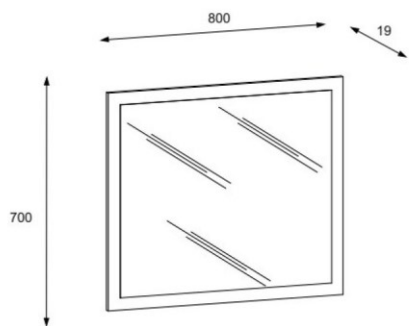




Modell **P-011 TYP D**

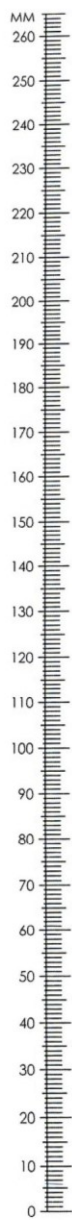


∅ 5

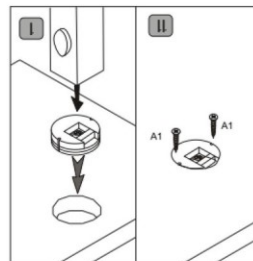
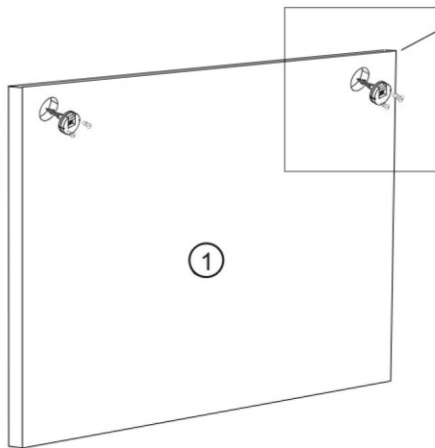
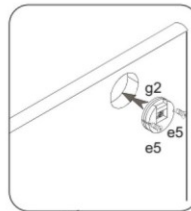
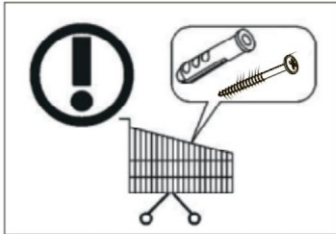
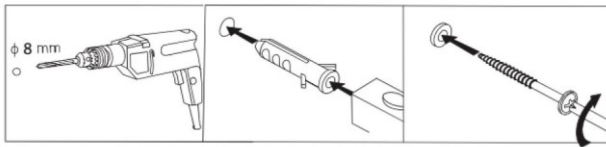




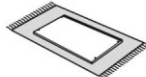
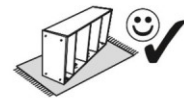
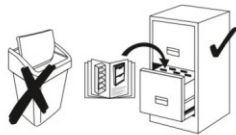
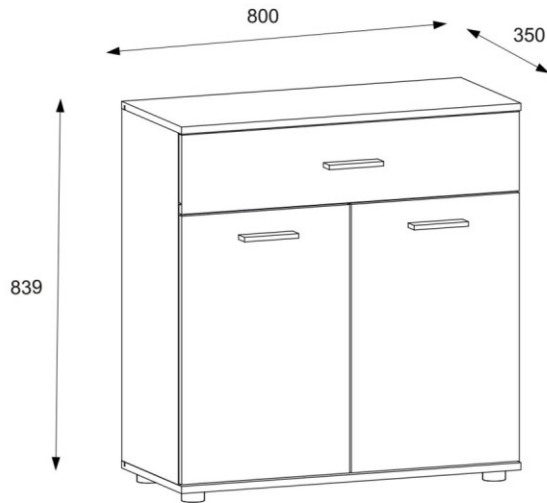
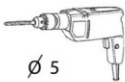
<p>4x</p>  <p>$\phi 5 \times 11$ mm</p> <p>e5</p>	<p>2x</p>  <p>g2</p>
------------------------------------------------------------------------------------------------------------------------------------------------------	--------------------------------------------------------------------------------------------------------------

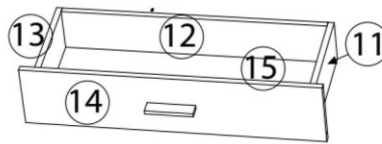
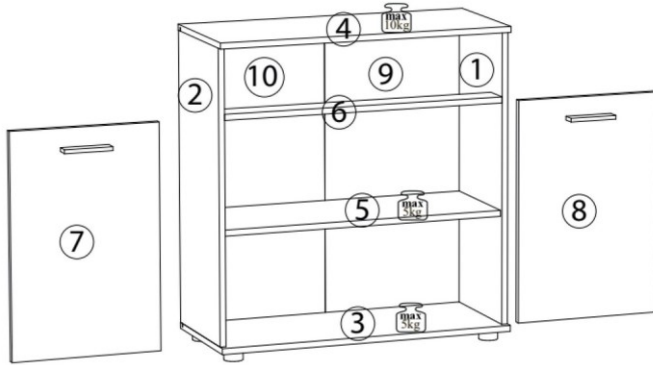


1

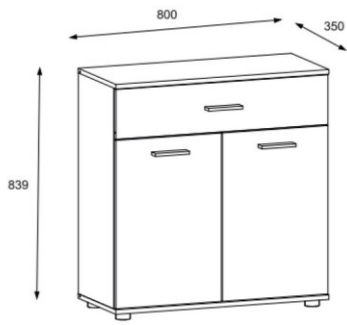


Modell P-011 TYPE



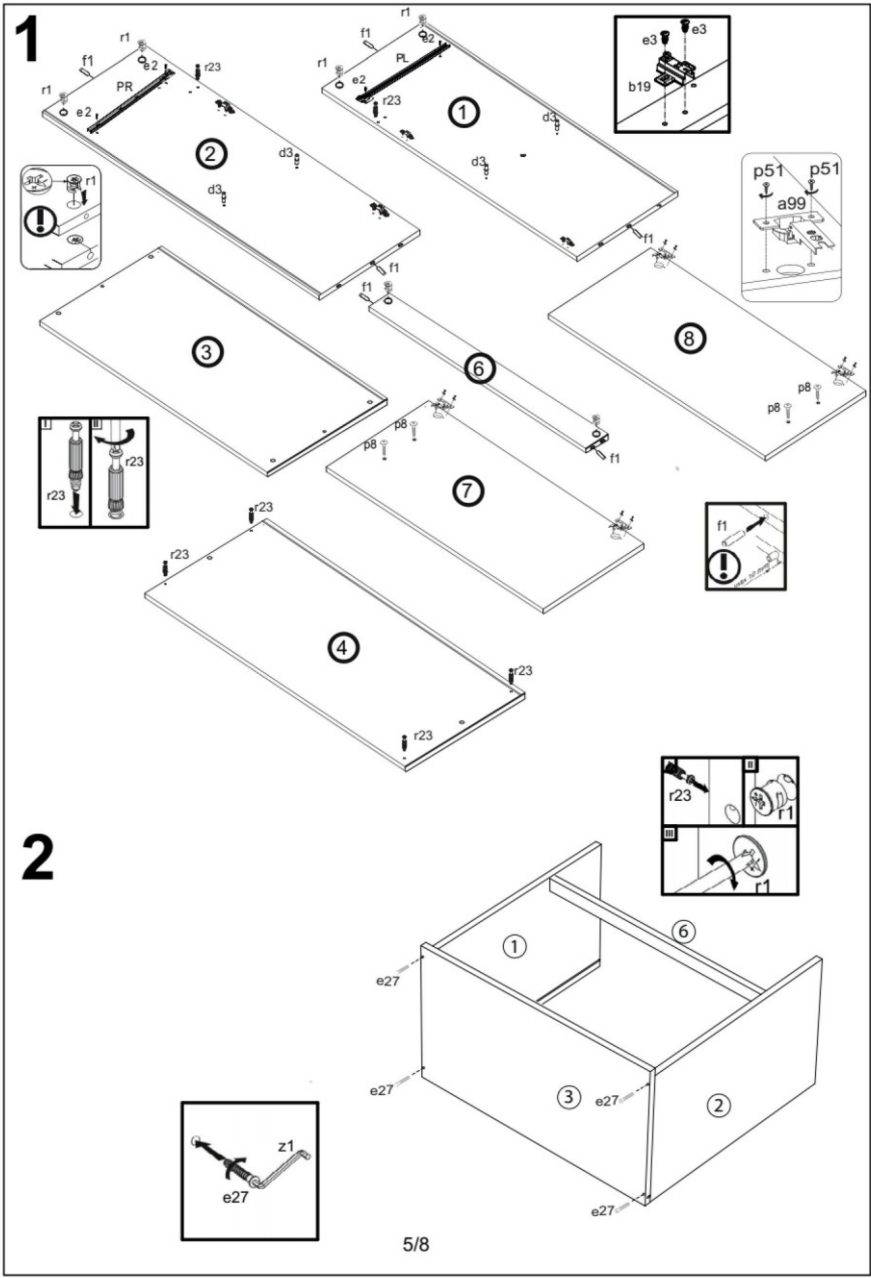


A	B	C	(mm)	Colli
1	5001	782	330	1/2
2	5002	782	330	1/2
3	5003	800	350	1/2
4	5004	800	350	1/2
5	5005	767	300	1/2
6	5006	767	300	1/2
7	5007	396	596	1/2
8	5008	396	596	2/2
9	5009	796	390	2/2
10	5010	796	390	2/2
11	5011	300	120	1/2
12	5012	710	120	1/2
13	5013	300	120	1/2
14	5014	796	176	2/2
15	5015	740	307	2/2

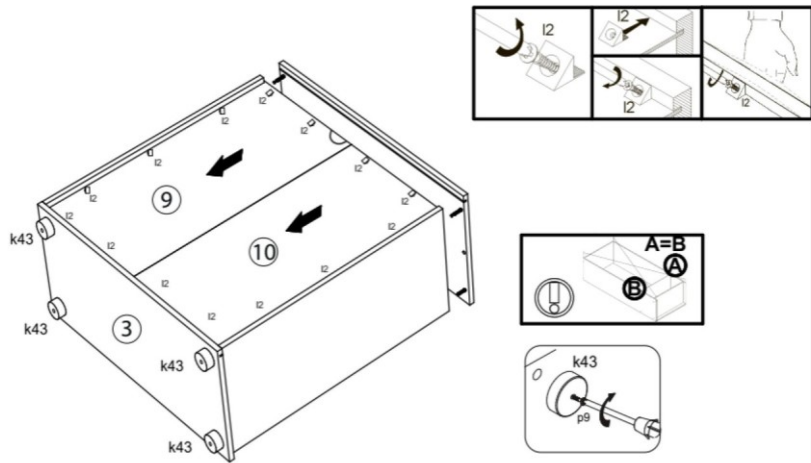


6x φ8x30 mm f1	10x 44mm r23	1x 4mm z1
6x φ 18 s3	3x L= 128 mm c235	10x φ15x12mm r1
4x 40x50x12 mm b19	4x φ 35 a99	4x k43
14x 10x10x15 mm l2	4x φ 5 B1	38x φ2x20 mm p38
8x 6,3x13 mm e3	4x 3,5x16 mm p51	1x 81x21x15/1,5mm n14/2
2x L-300mm OL	8x φ4x25 mm p9	8x φ6,4x50 mm e27
2x L-300mm PR	6x φ4x25 mm p8	2x L-300mm OR

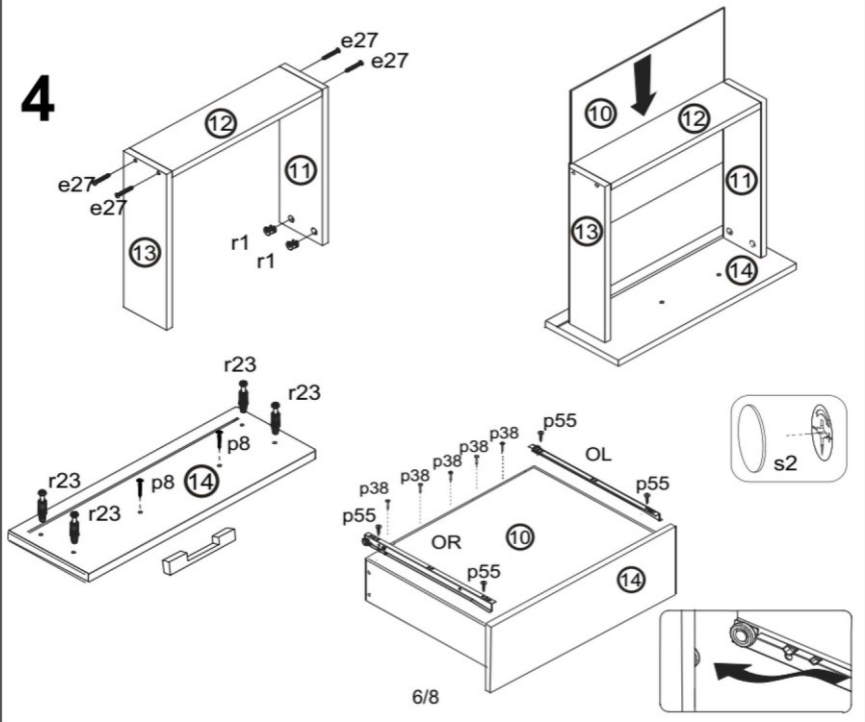




3

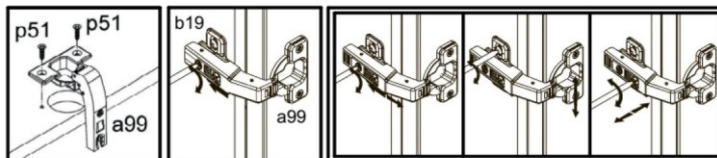
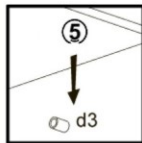
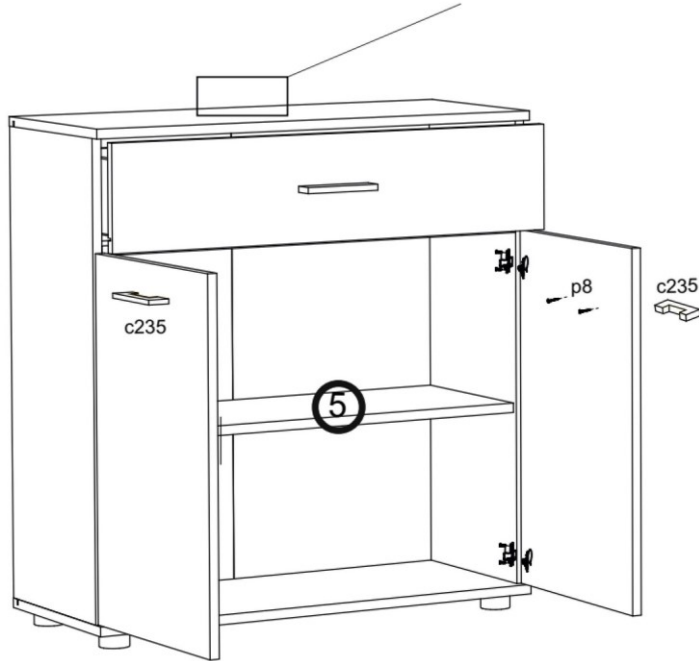
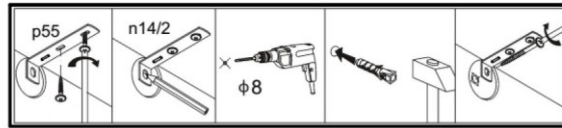


4



6/8

5



Modell P-011 TYP A

