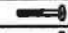












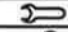









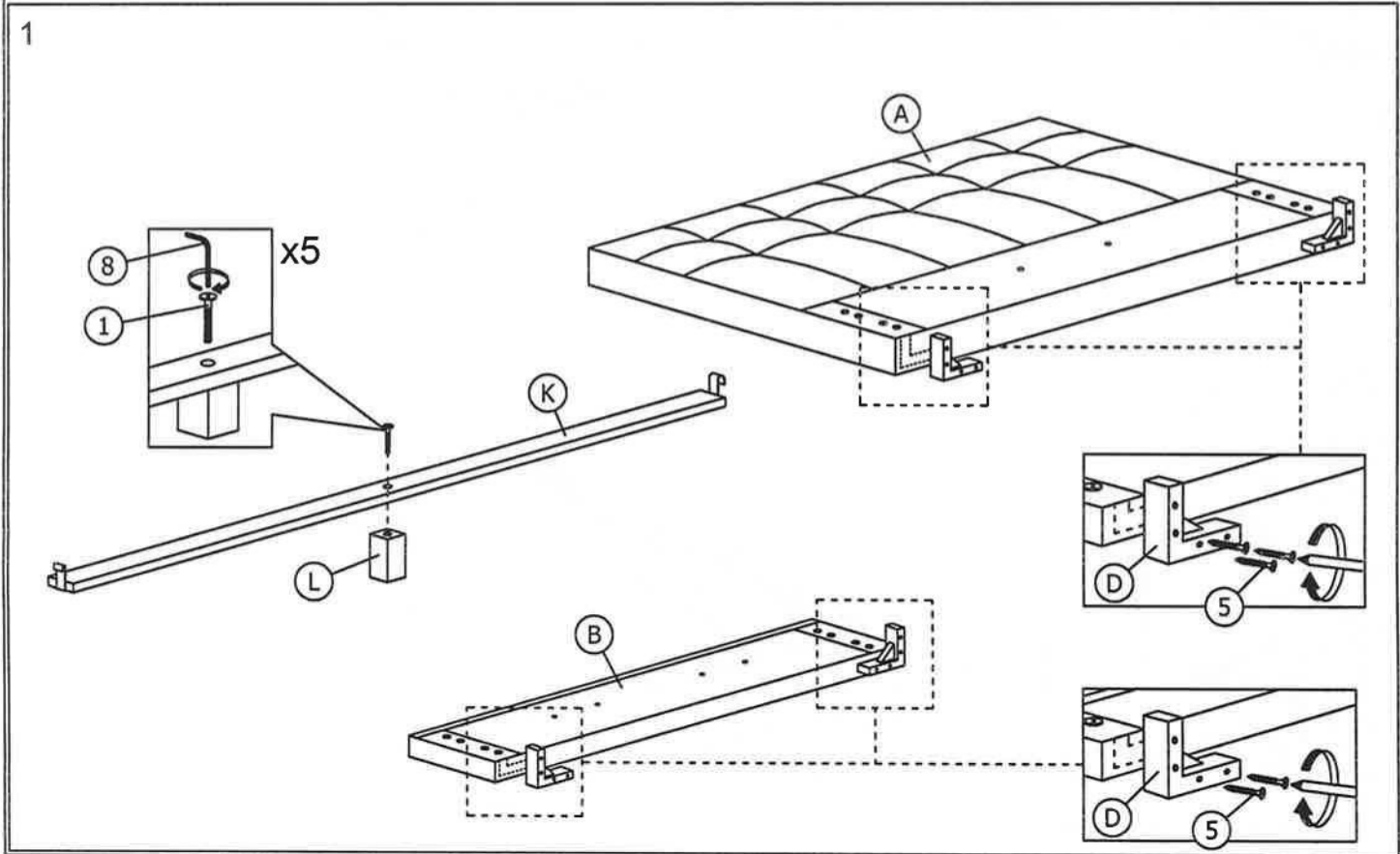
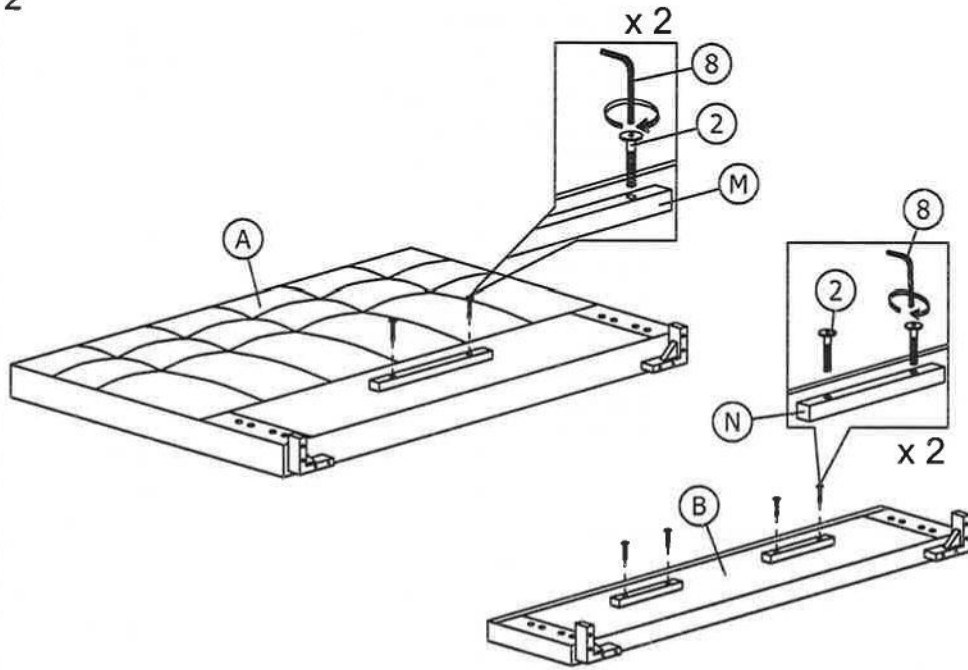


A	1 PC
B	1 PC
C	2 PCS
D	4 PCS
E	2 PCS
F	1 SET
G	1 PC
H	2 PCS
I	1 PC
J	1 PC
K	5 PCS
L	5 PCS
M	1 PC
N	2 PCS
O	4 PCS
P	34 PCS
Q	2 PCS

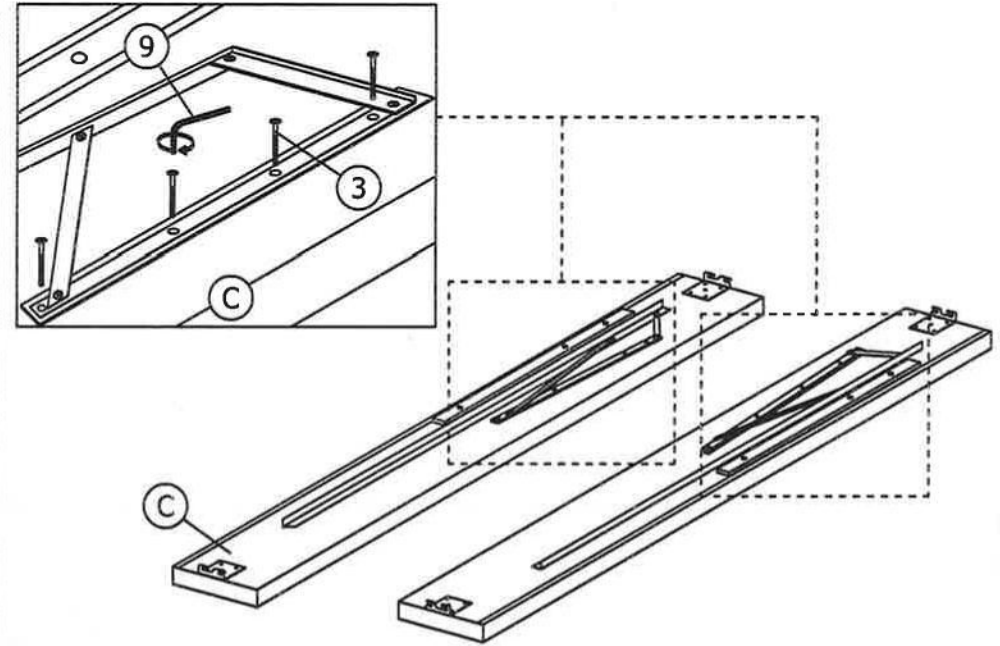
1	M6 x 30mm		5 PCS
2	M6 x 70mm		6 PCS
3	M8 x 40mm		12 PCS
4	M3.5 x 16mm		4 PCS
5	M4 x 45mm		10 PCS
6			34 PCS
7			17 PCS
8	M4		1 PC
9	M5		1 PC
10	M6 x 40mm		6 PCS
11	M8 x 70mm		8 PCS
12	M6		4 PCS
13	M6		4 PCS
14	M8		16 PCS
15	M8		16 PCS
16	M6		6 PCS
17	M8		16 PCS
18	(10mm)		1 PC
19	(13mm)		1 PC
20			6 PCS
21	M8 x 20mm		4 PCS
22	M8 x 70mm		2 PCS
23	M8		8 PCS



2

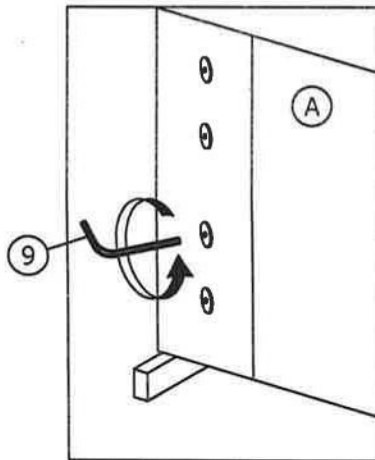


3

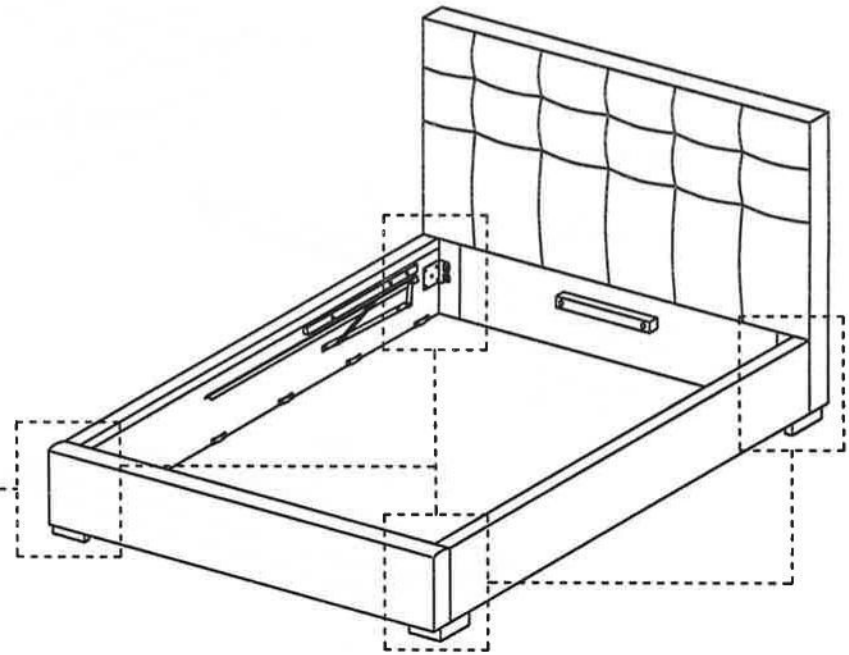
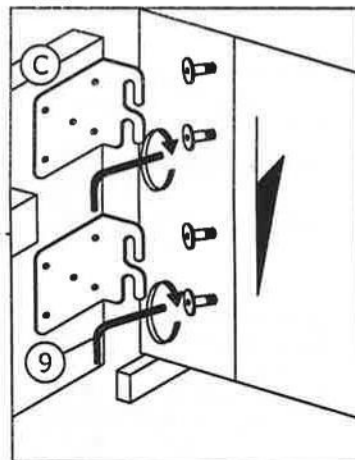


## STEP 4

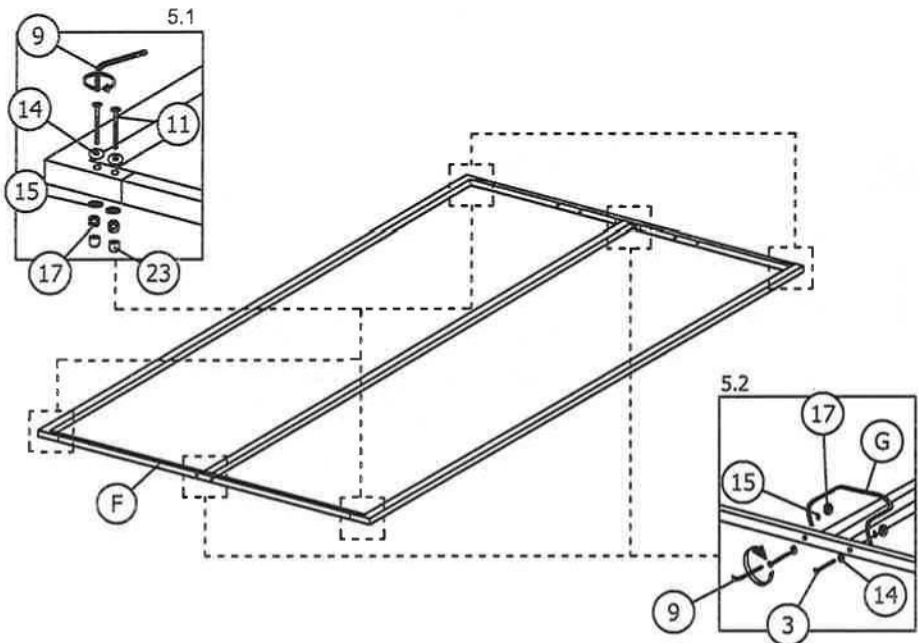
4.1



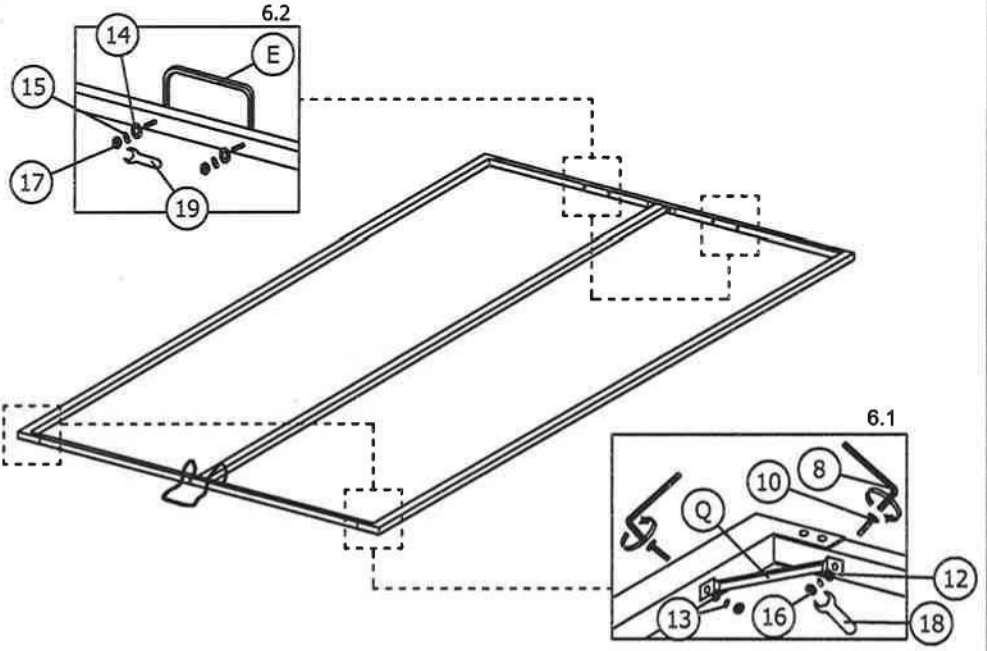
4.2



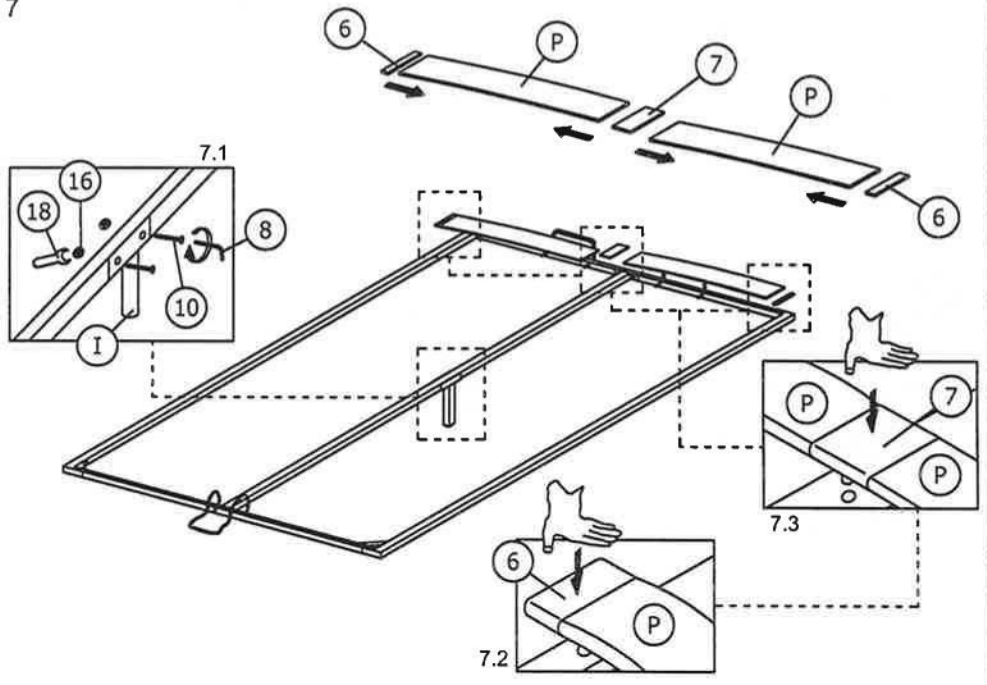
5



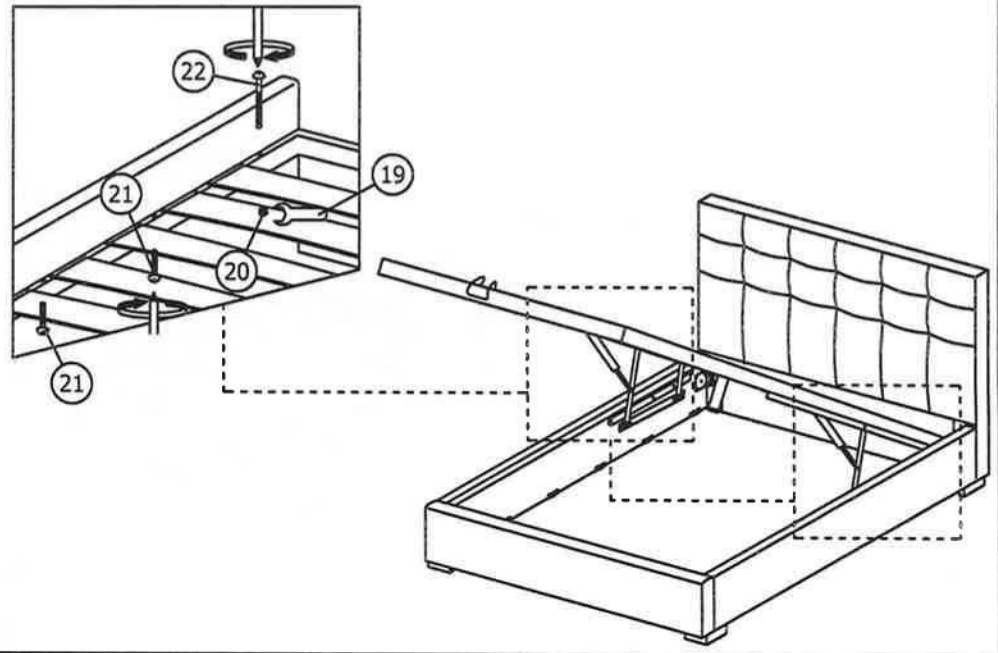
6



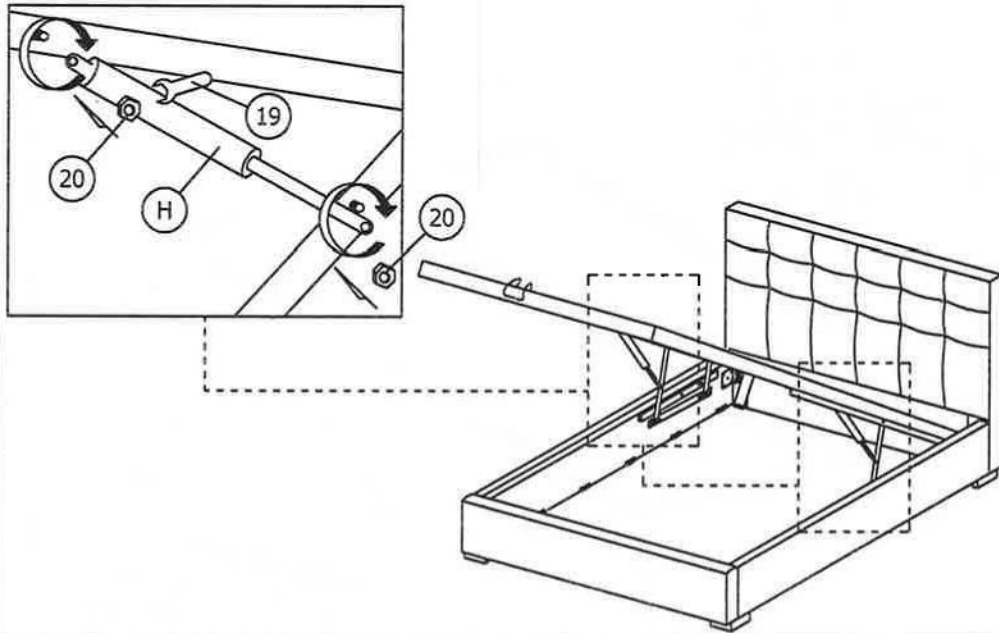
7



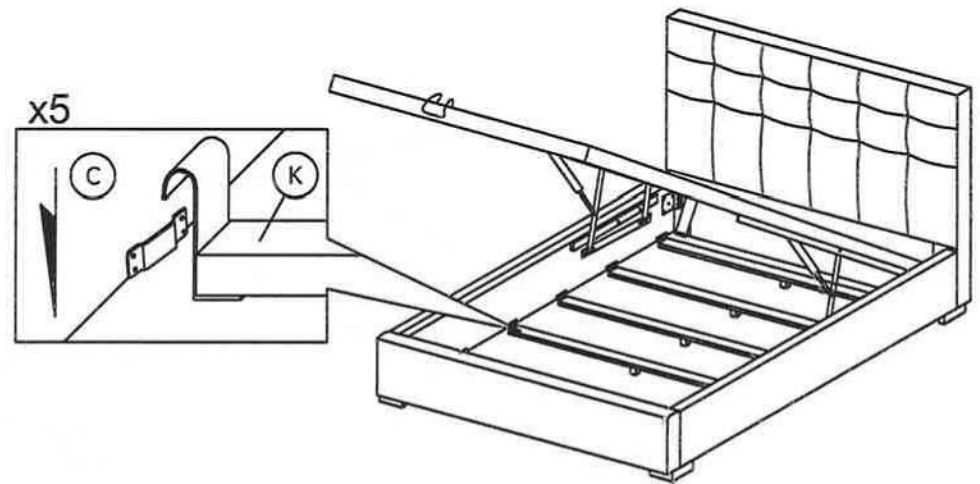
8



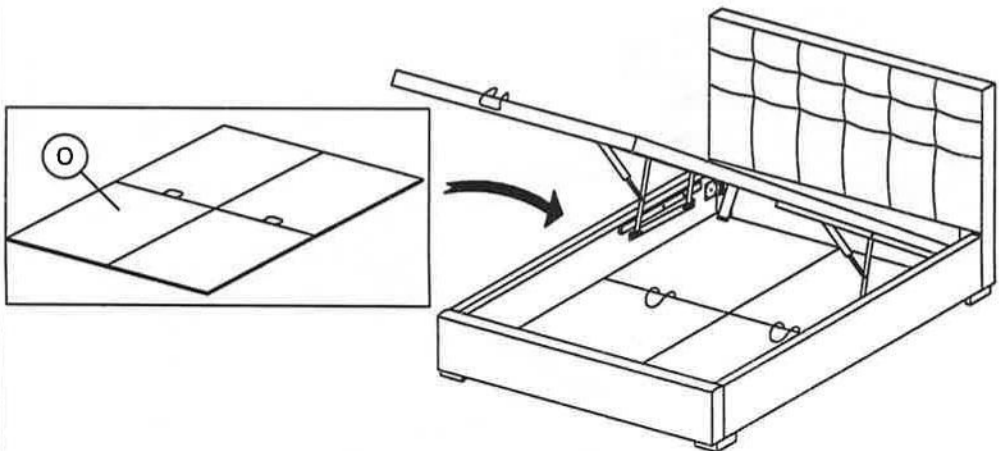
9



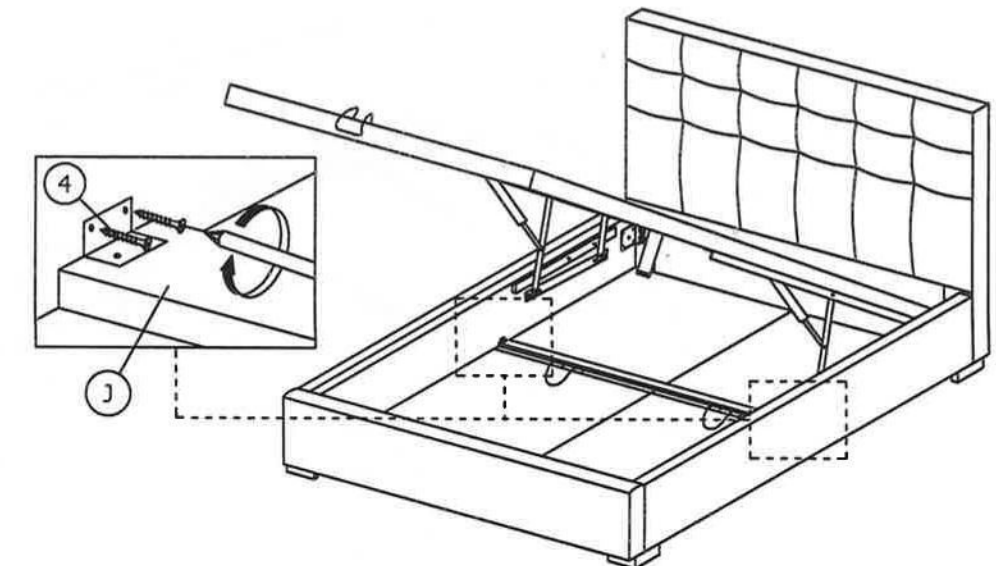
10



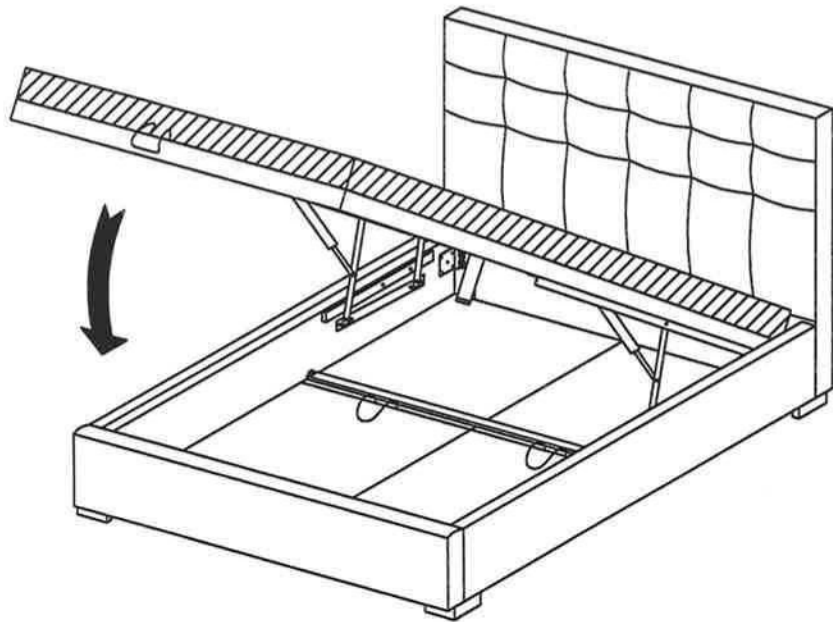
11



12



13



14

