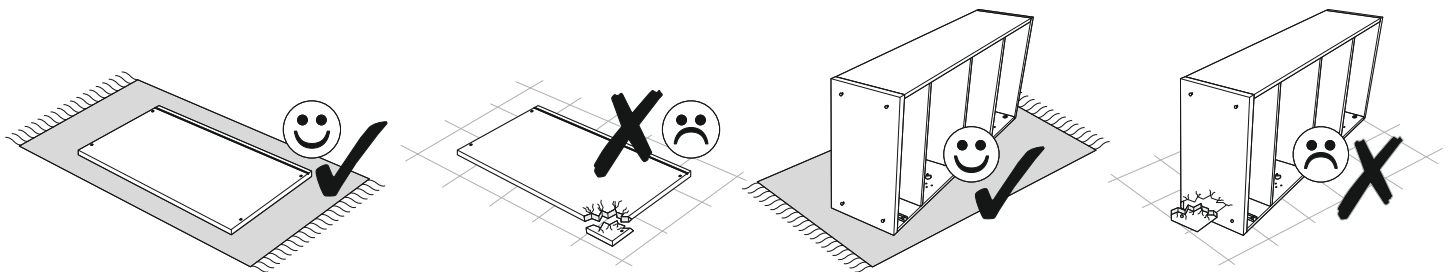
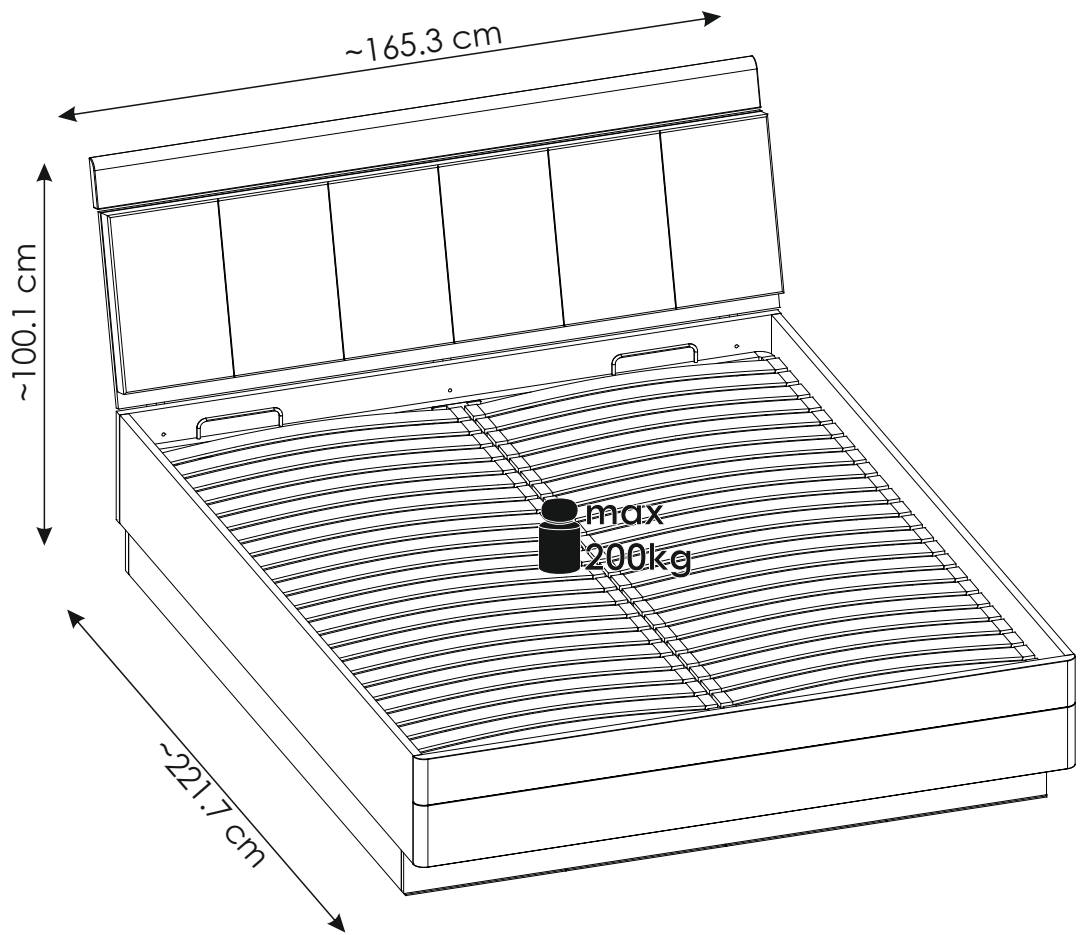
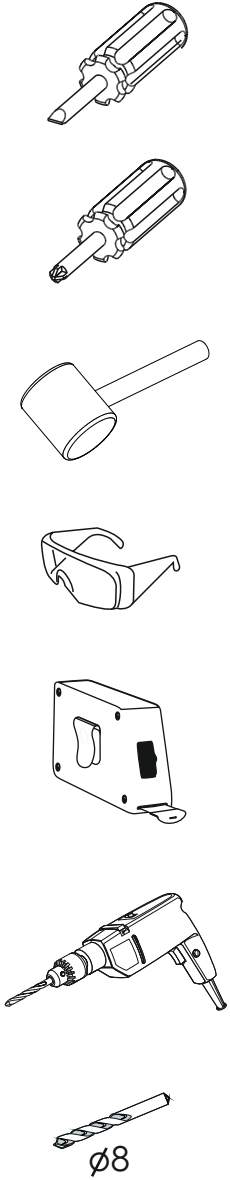
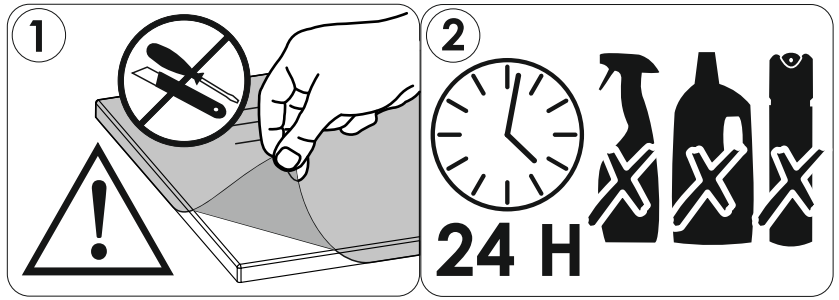
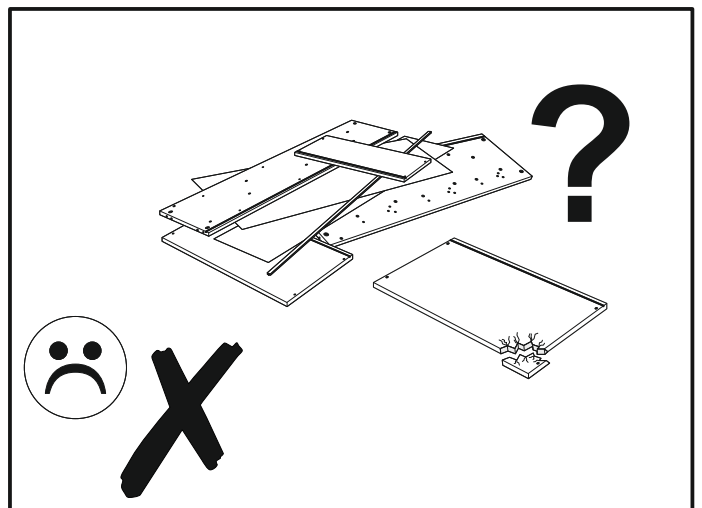
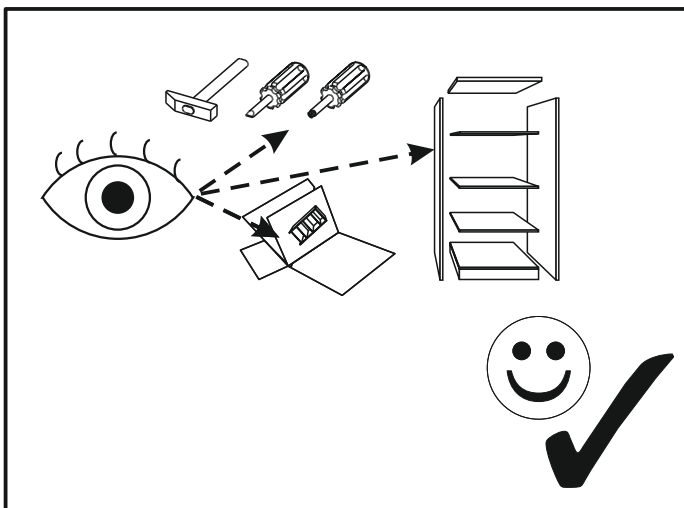
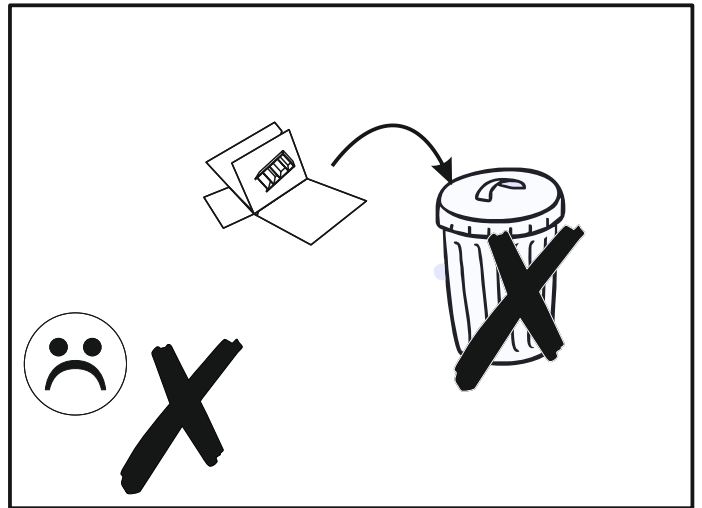
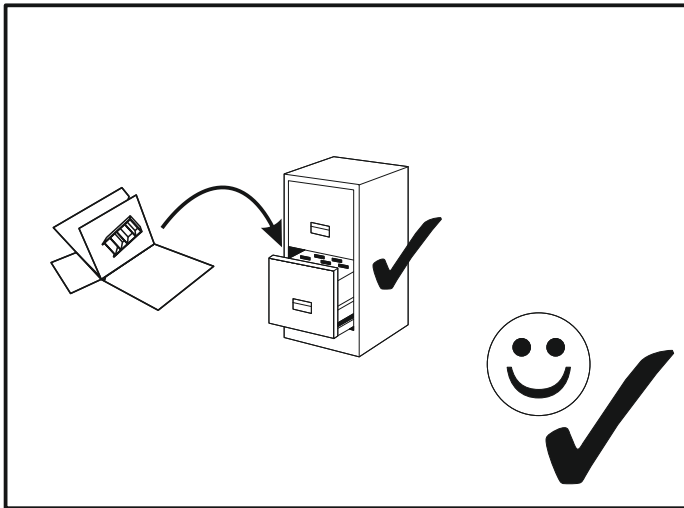
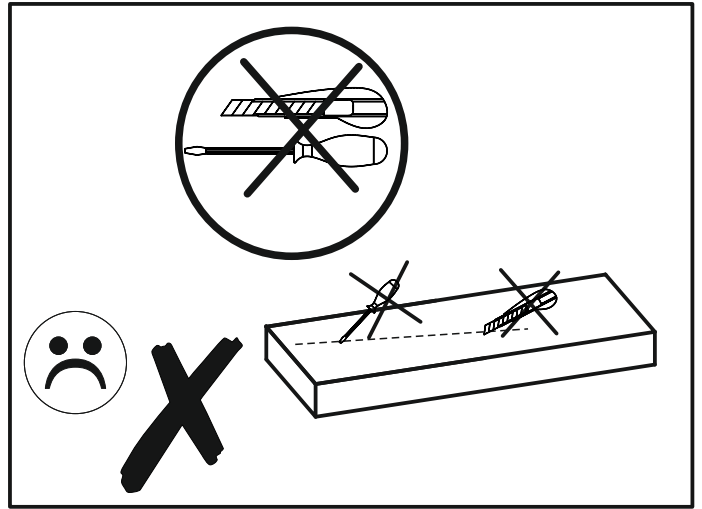
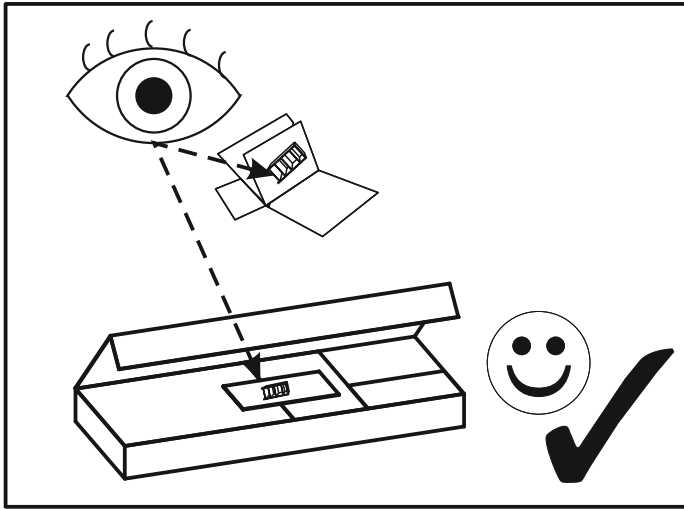
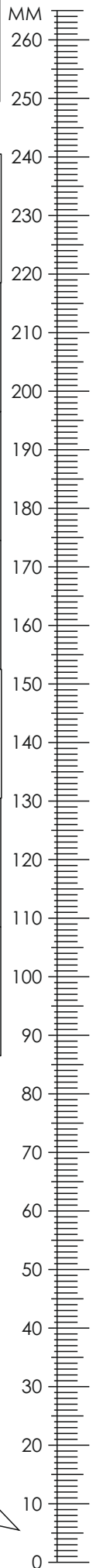


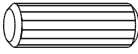
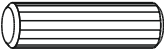



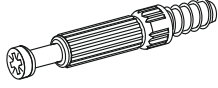


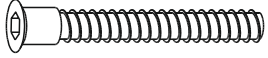
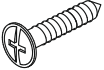



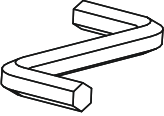

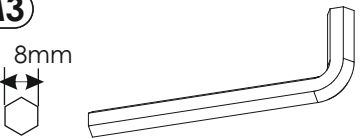



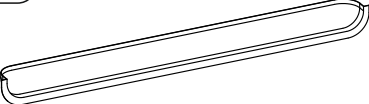
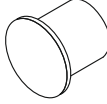

MONACO MOAL02

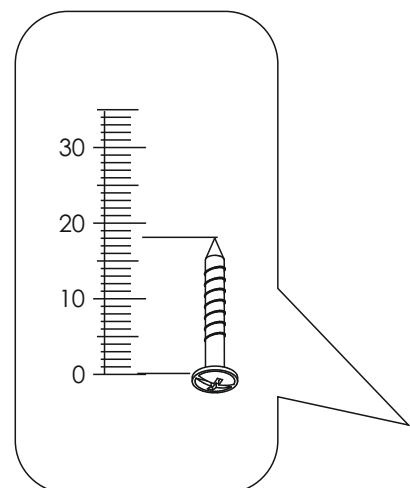




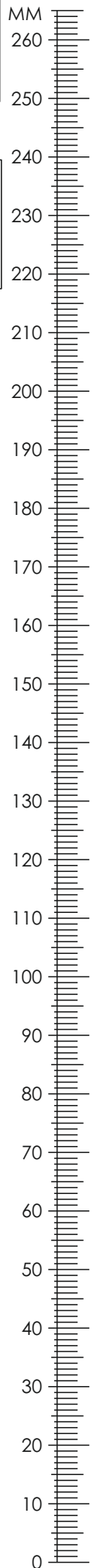
MONACO MOAL02

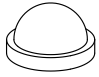


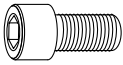



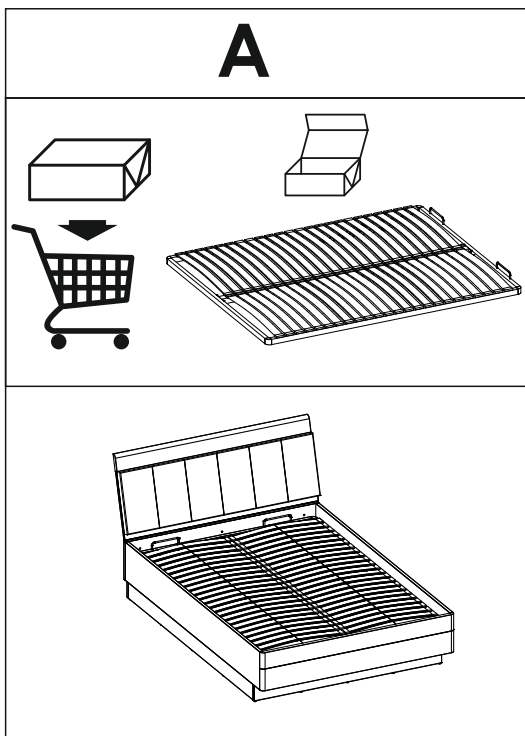
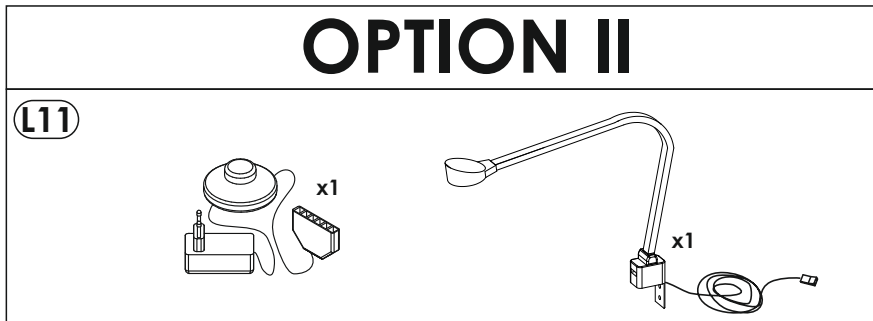
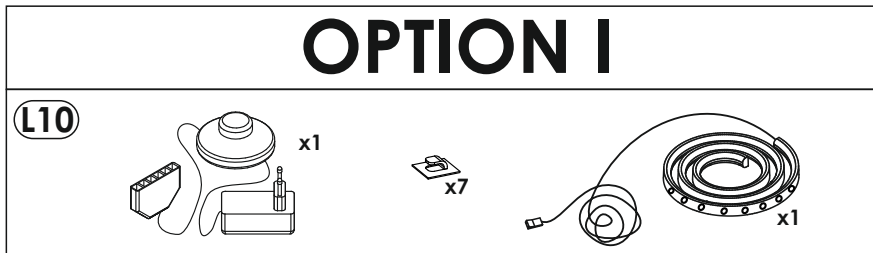
A0 ø8 x 24 mm x34 	A1 ø8 x 35 mm x44 	E0a x4 
E0b x16 	E1 15 x 12 mm x20 	F1 6 x 34 mm x20 
G0a x7 	G0b x12 	G1 φ7 x 50 mm x27 
I6 4 x 40 mm x46 	I11 4 x 27 mm x12 	I17 3 x 13 mm x10 
J6 4 x 25 mm x9 	M x1 	M2 6mm x1 
M3 8mm x1 	N1 3 x 16 mm x70 	O2 x19 
O2A ø20 x12 	P40 x2 	P21 ø10 x6 
R1 x12 		



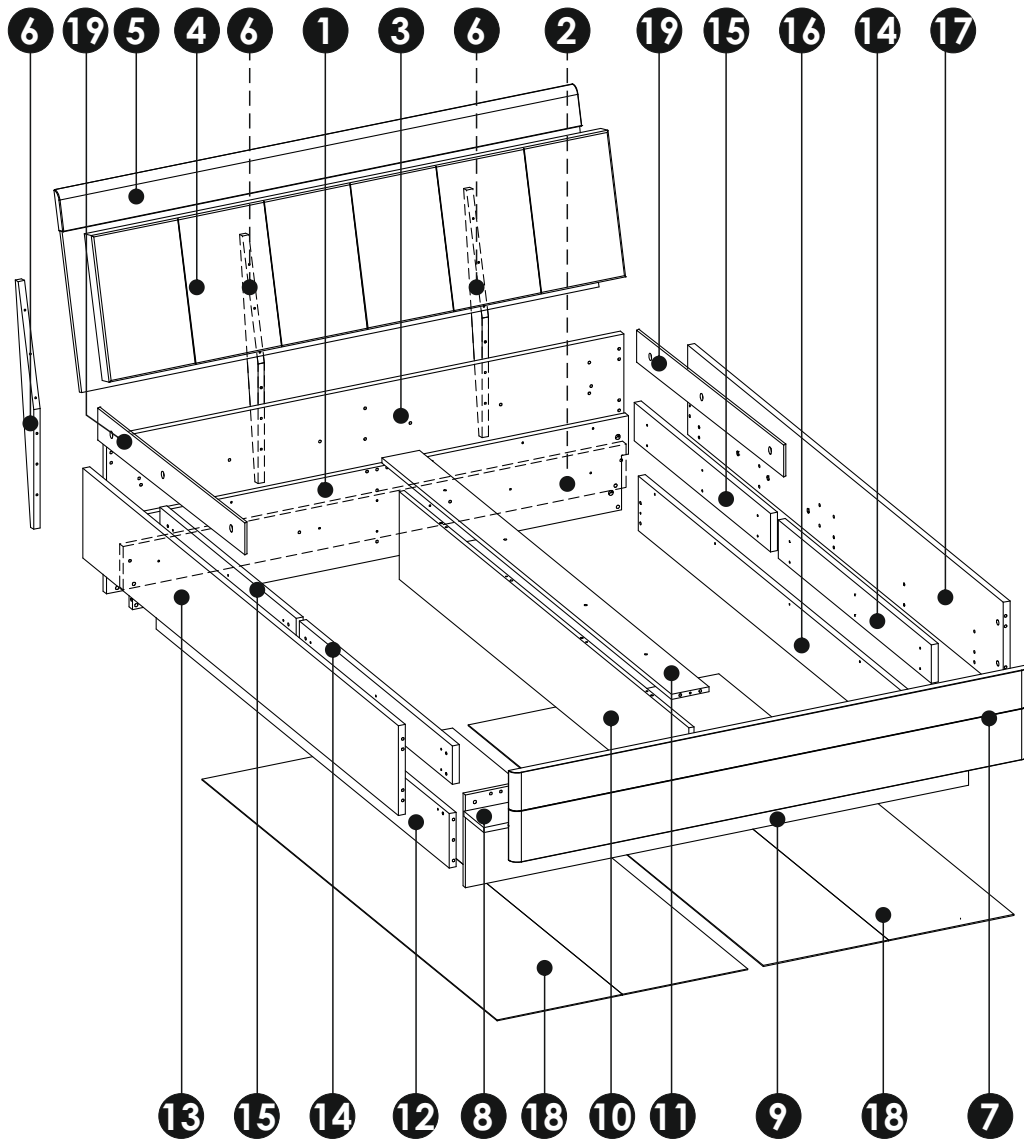
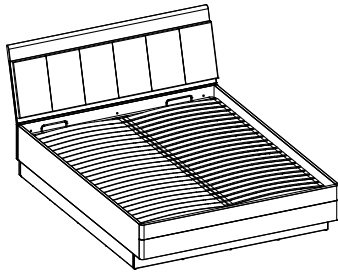
MONACO MOAL02



R5  x2	R22  x6	S18  x6
S19 M8 x 25 mm  x6	W16  x2	



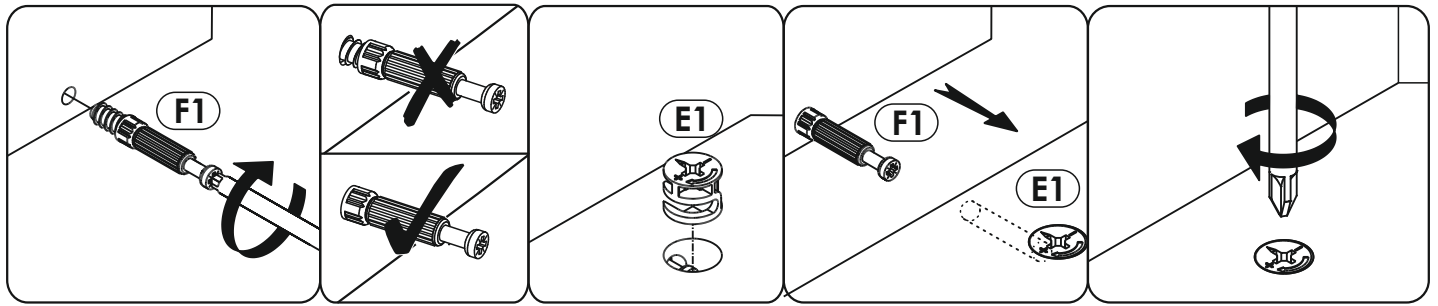
MONACO MOAL02



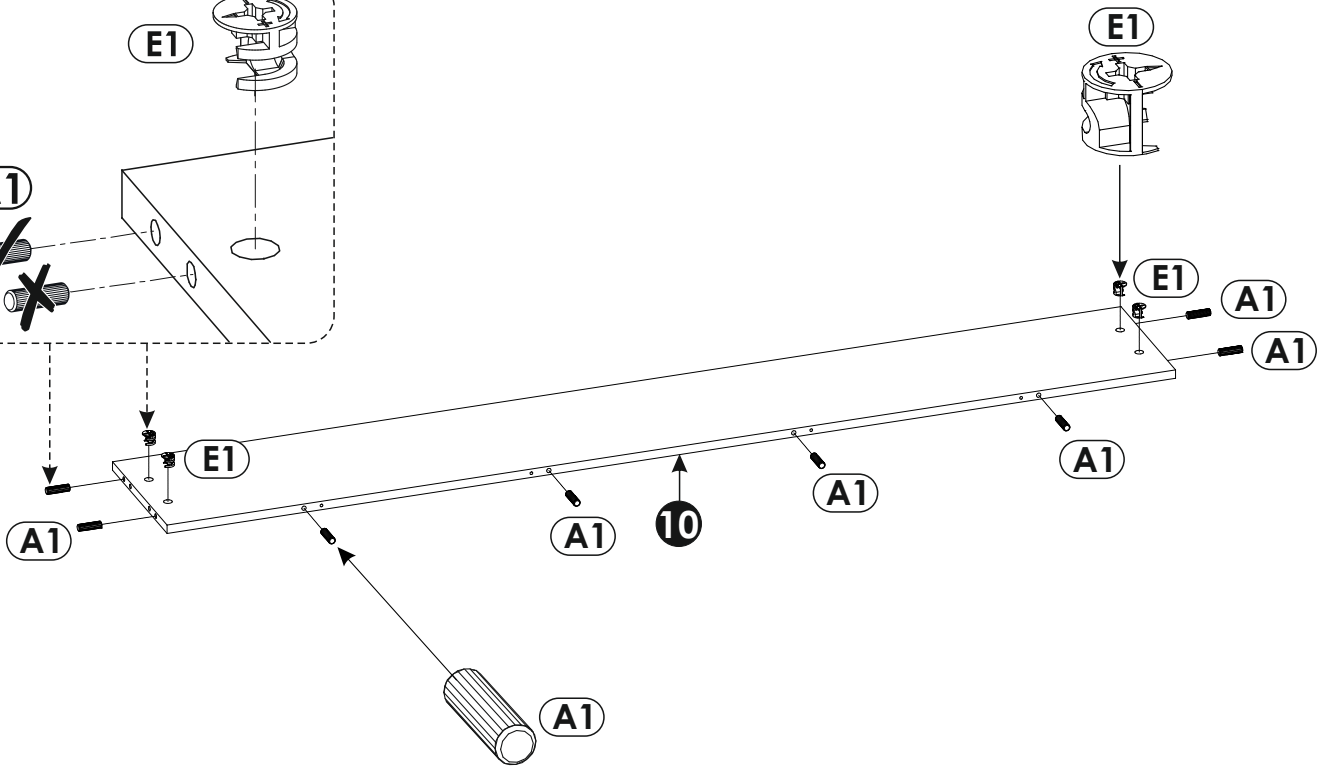
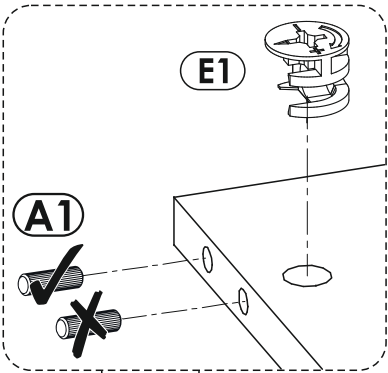
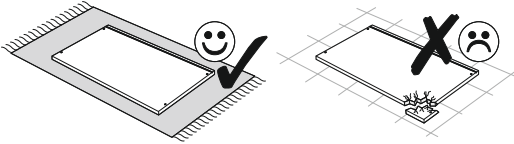
1	1602	290	22	x1	1/5
2	1602	135	22	x1	1/5
3	1648	280	22	x1	2/5
4	1645	428	50	x1	5/5
5	1653	590	28	x1	5/5
6	740	70	20	x3	4/5

7	1648	280	28	x1	2/5
8	1602	127	16	x1	1/5
9	1602	290	16	x1	1/5
10	1845	274	16	x1	1/5
11	1845	120	16	x1	1/5
12	1867	170	22	x1	4/5

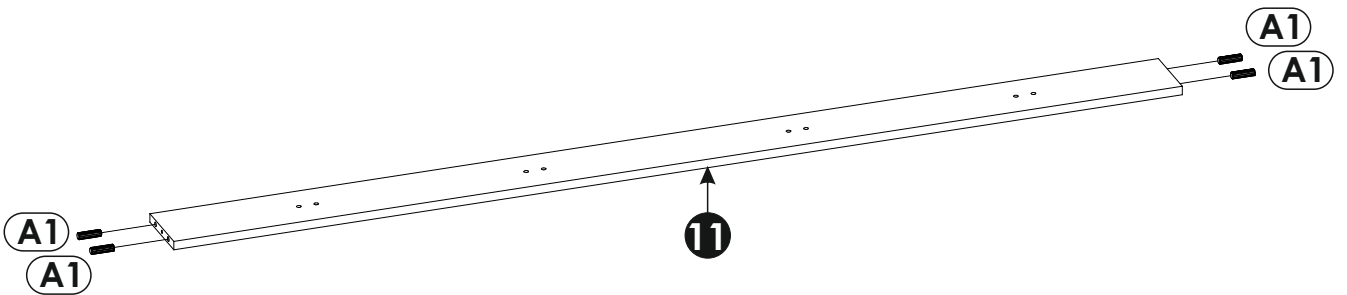
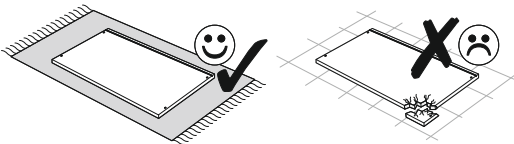
13	2010	280	22	x1	3/5
14	975	120	22	x2	3/5
15	868	120	22	x2	3/5
16	1867	170	22	x1	4/5
17	2010	280	22	x1	3/5
18	1879	798	3	x2	3/5
19	550	45	3	x2	3/5



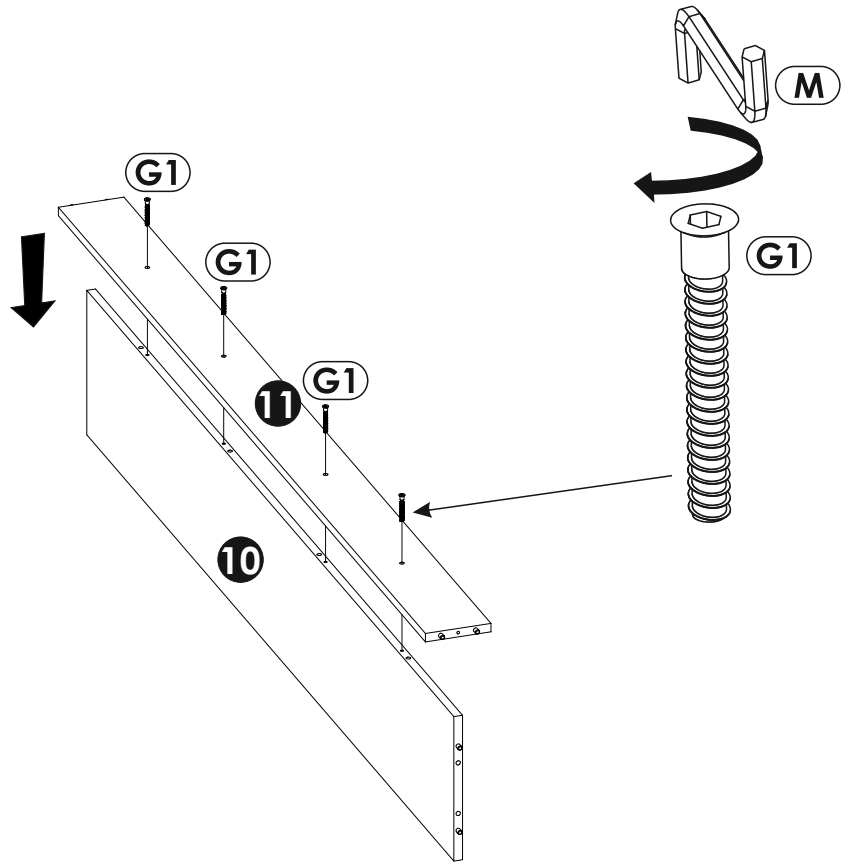
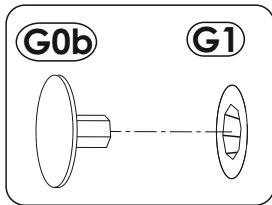
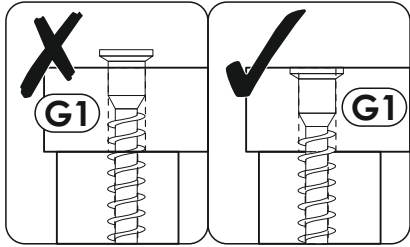
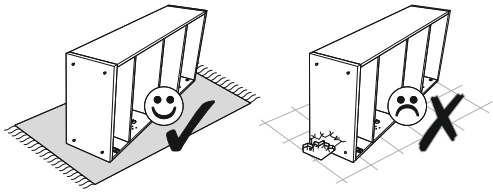
1 ▶



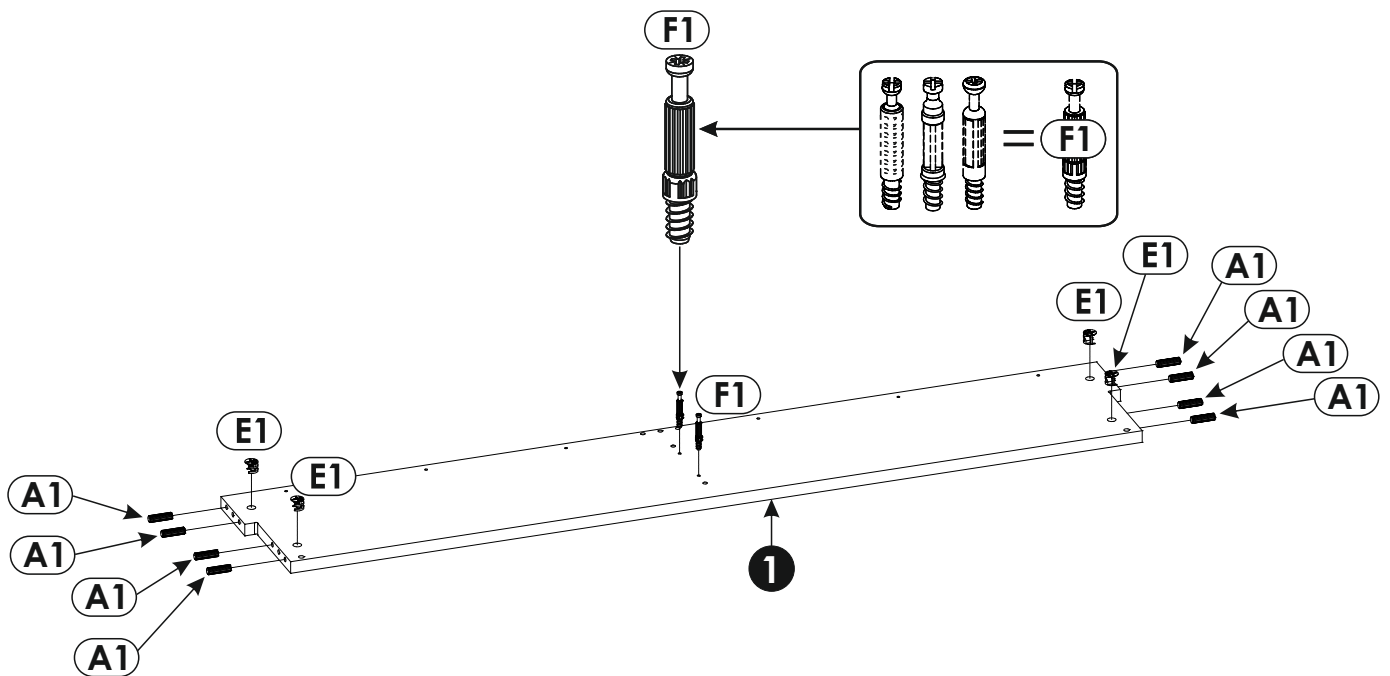
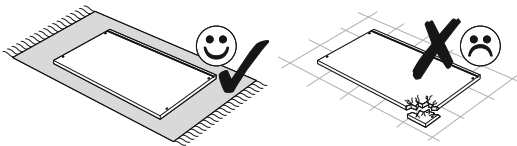
2 ▶



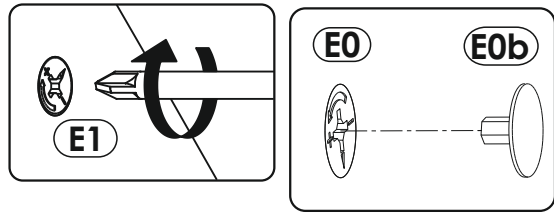
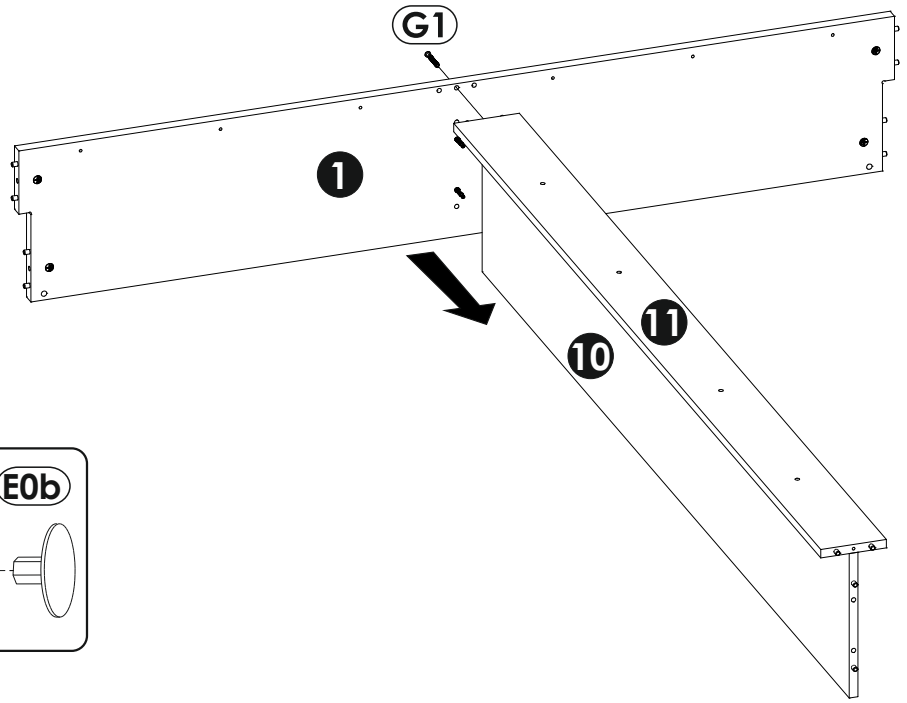
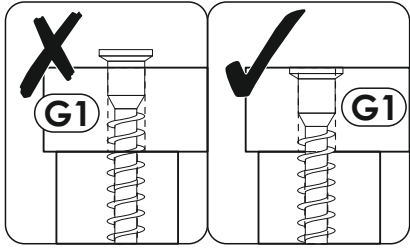
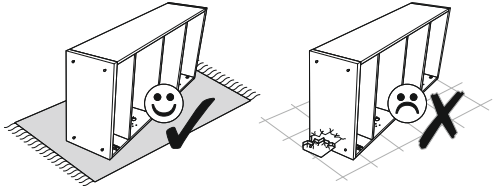
3 ▶



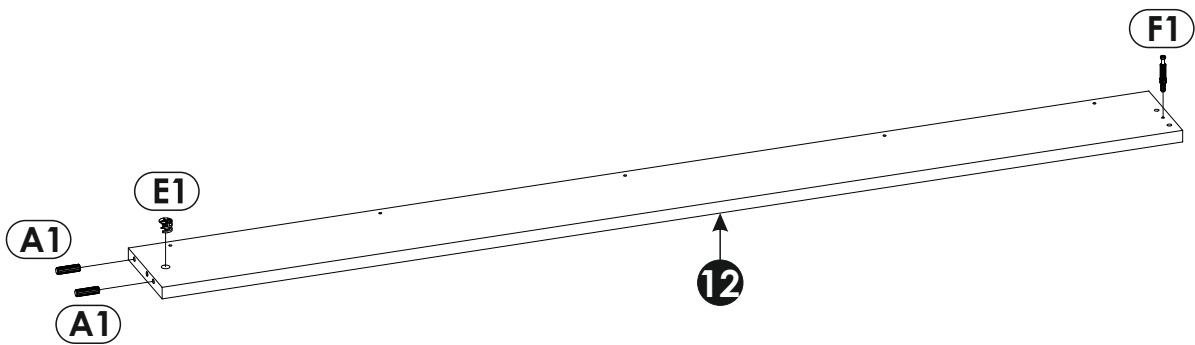
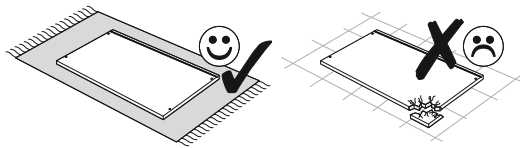
4 ▶



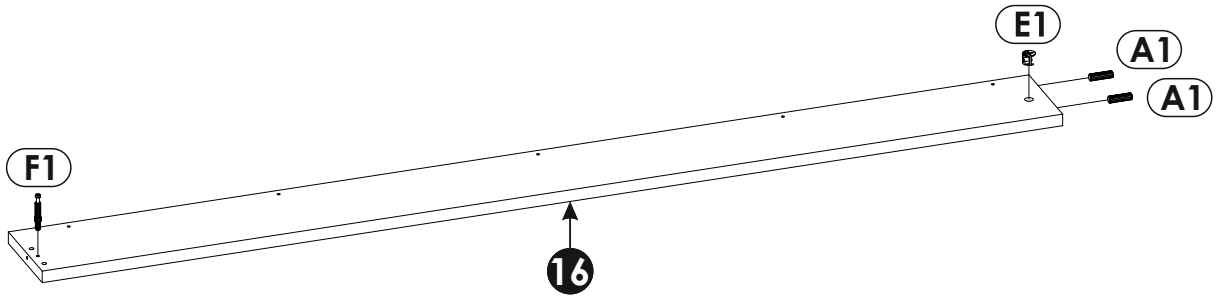
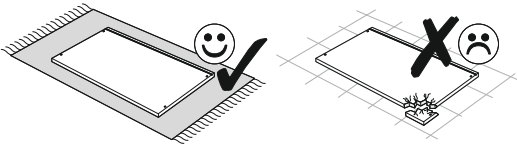
5 ▶



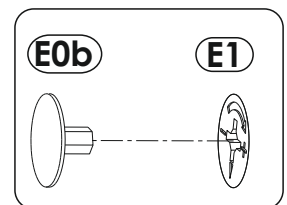
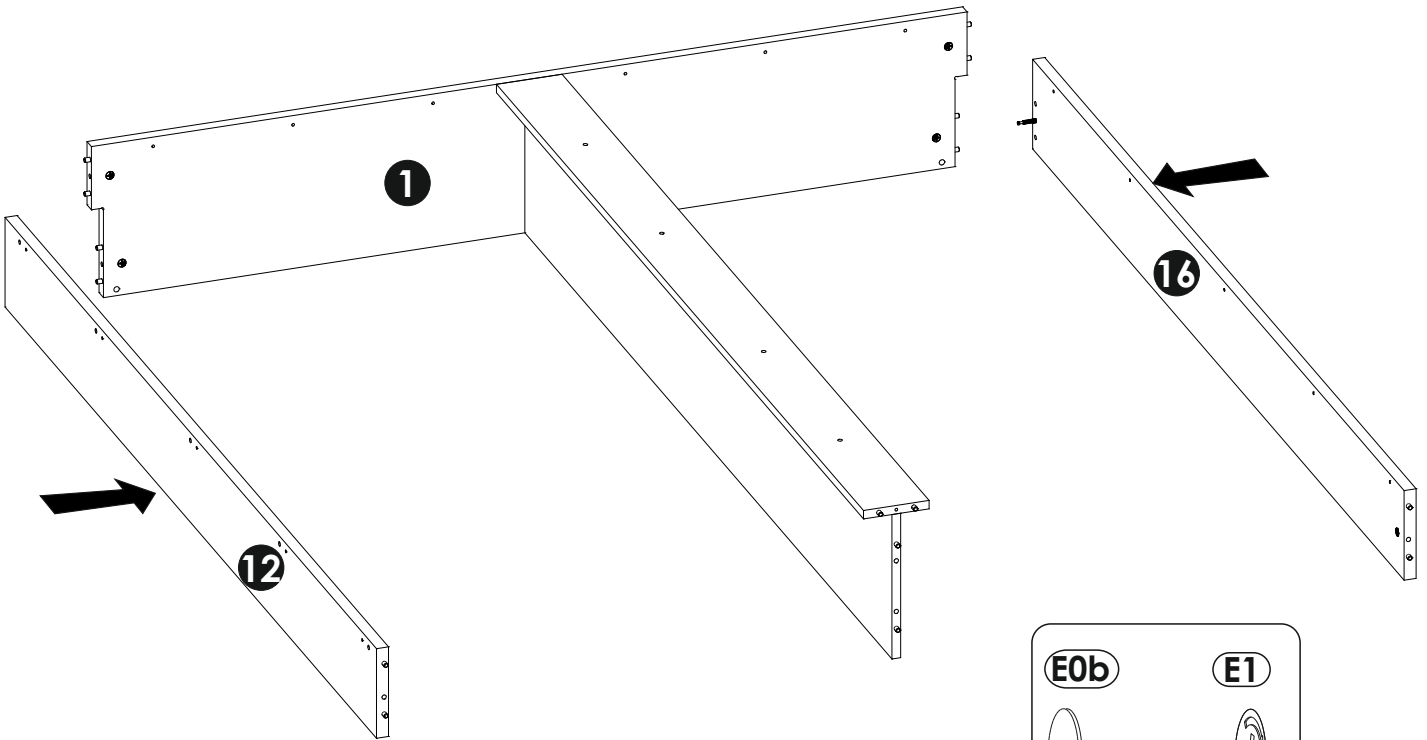
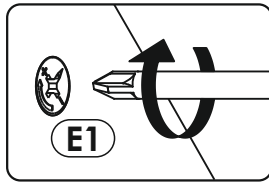
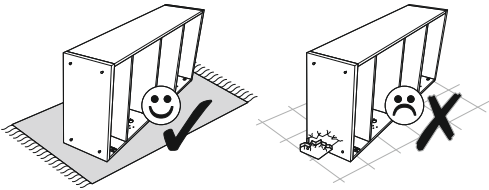
6 ▶



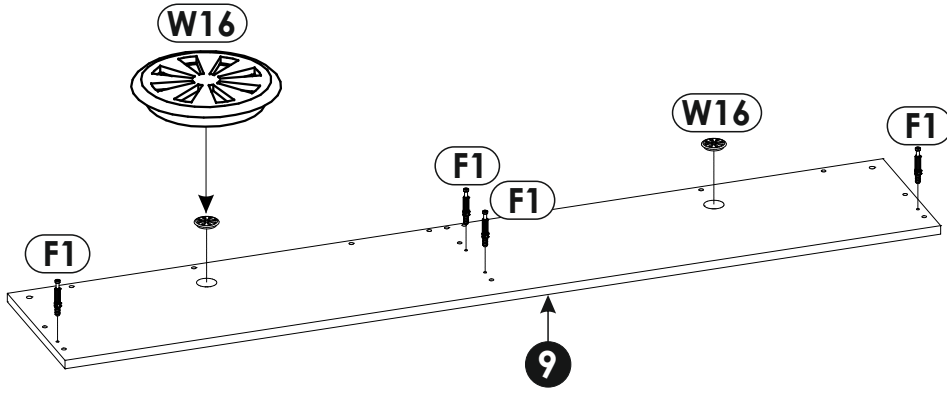
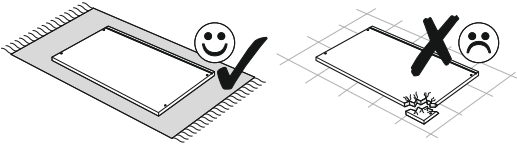
7 ▶



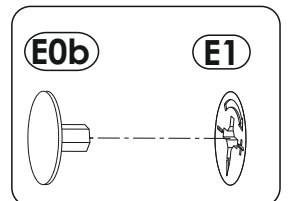
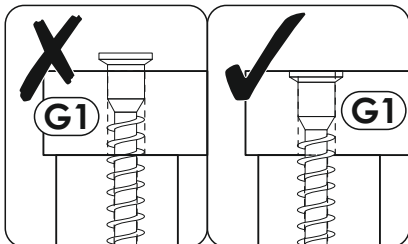
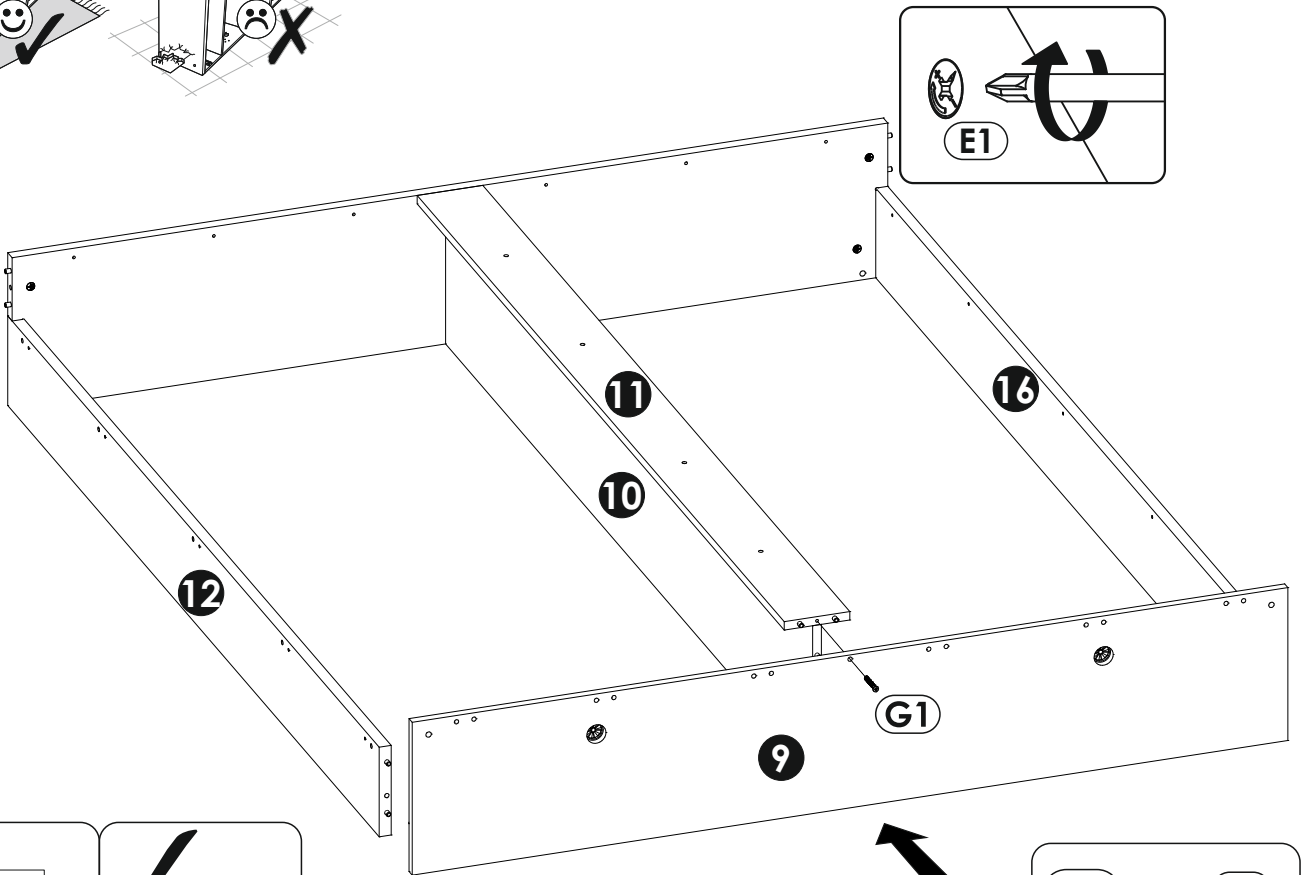
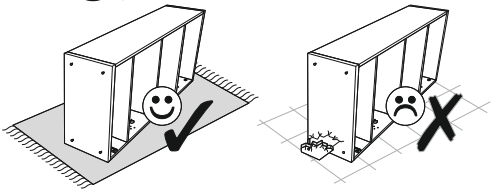
8 ▶



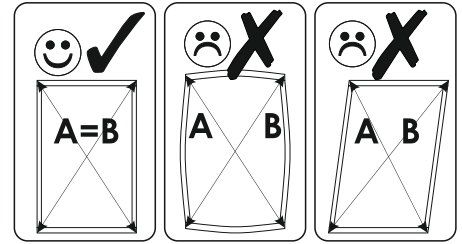
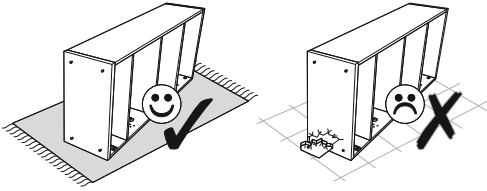
9 ▶



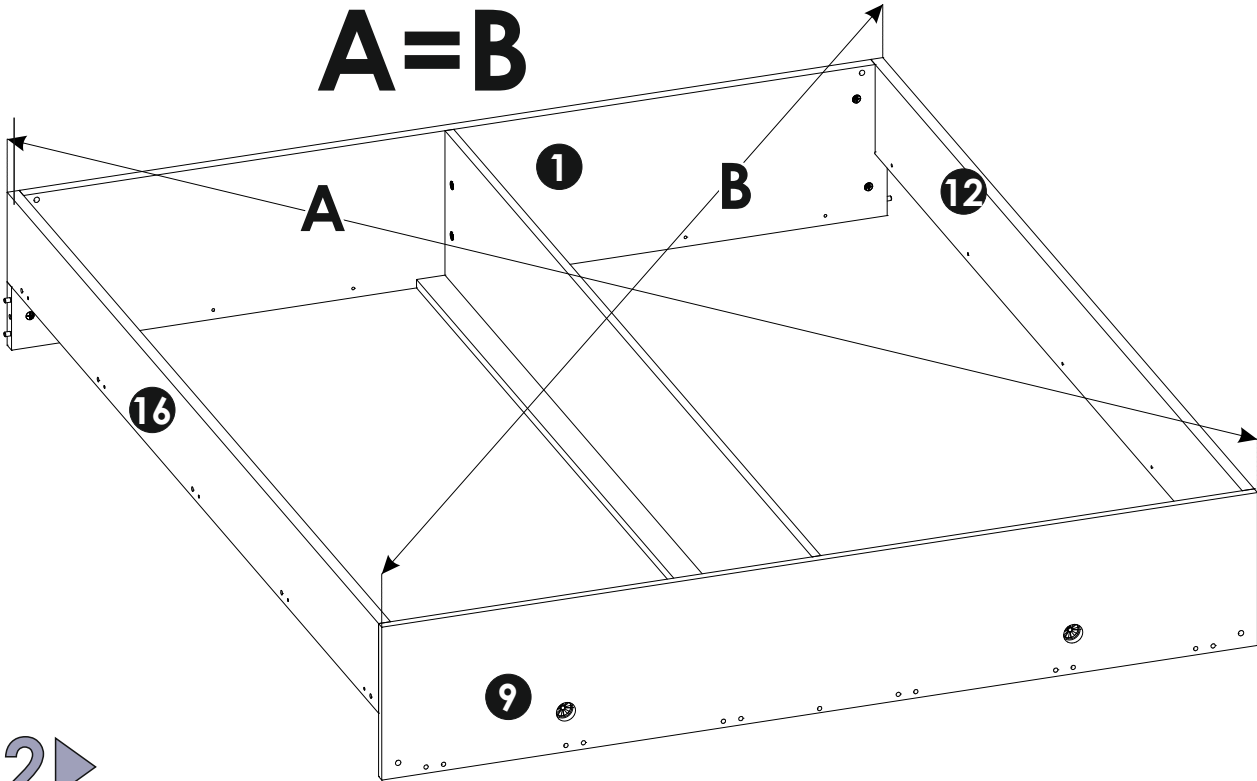
10 ▶



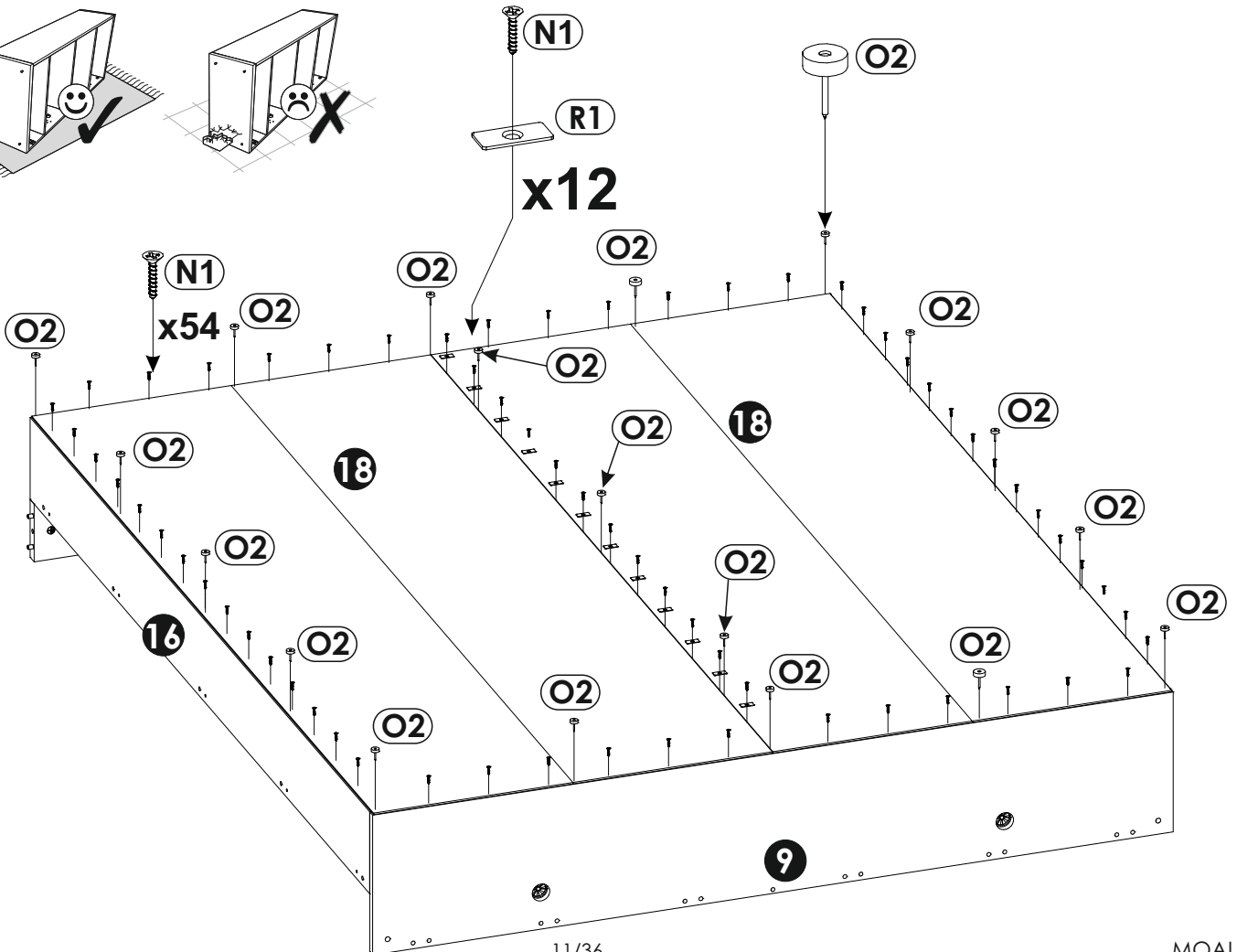
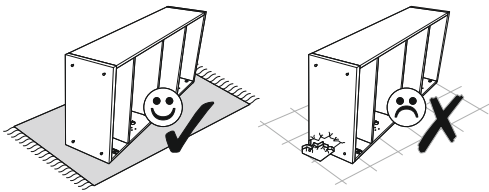
11 ▶



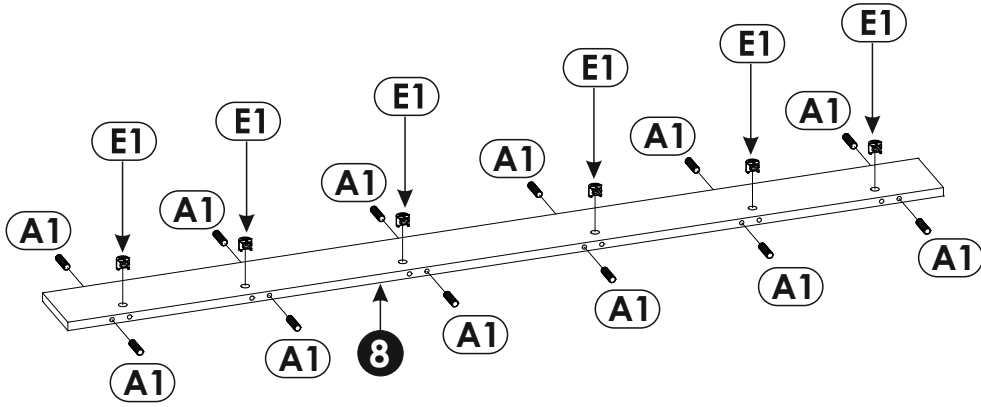
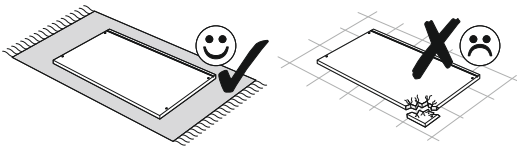
A=B



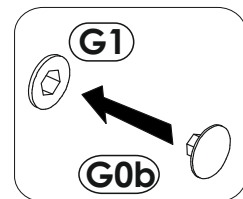
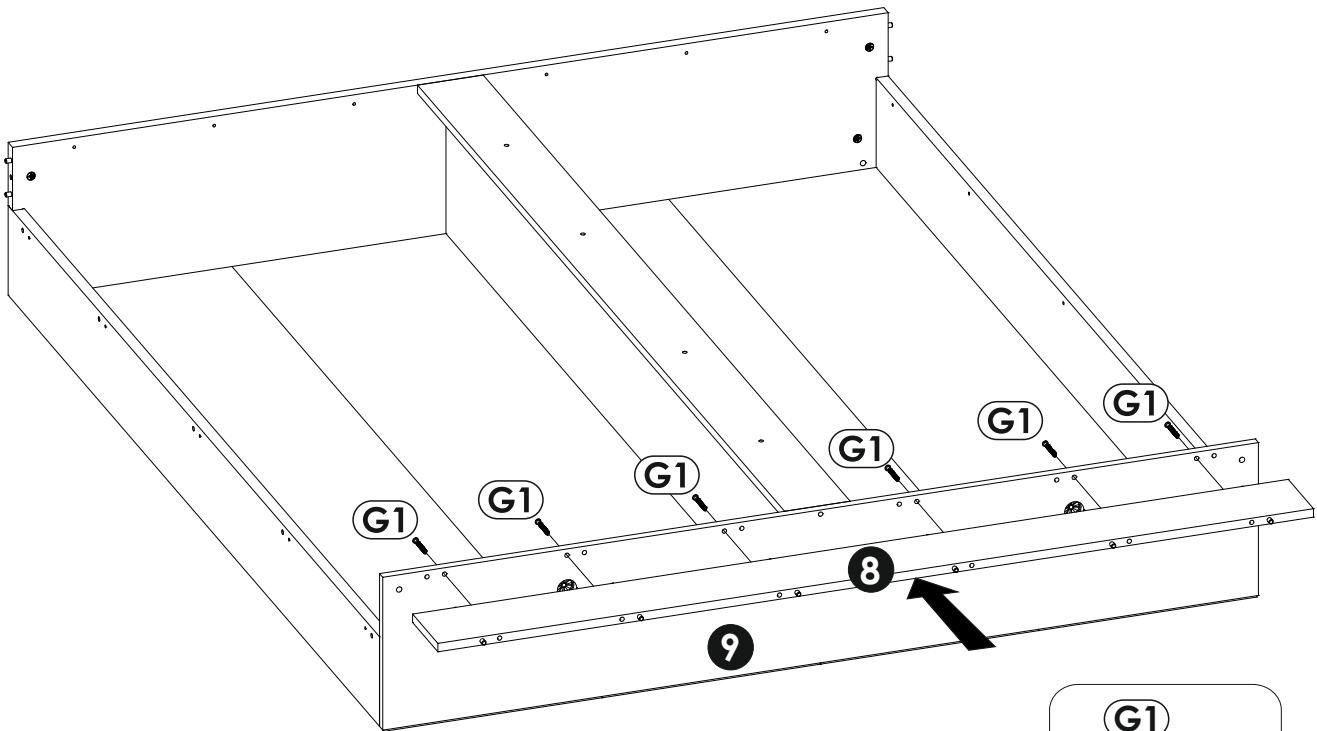
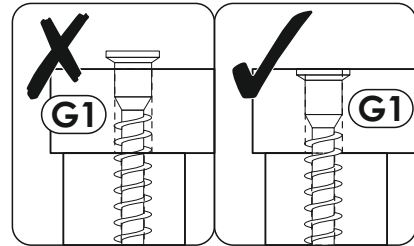
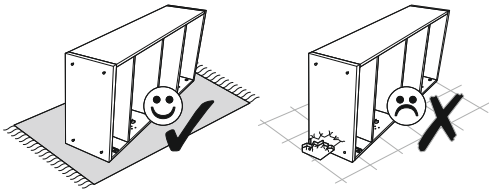
12 ▶



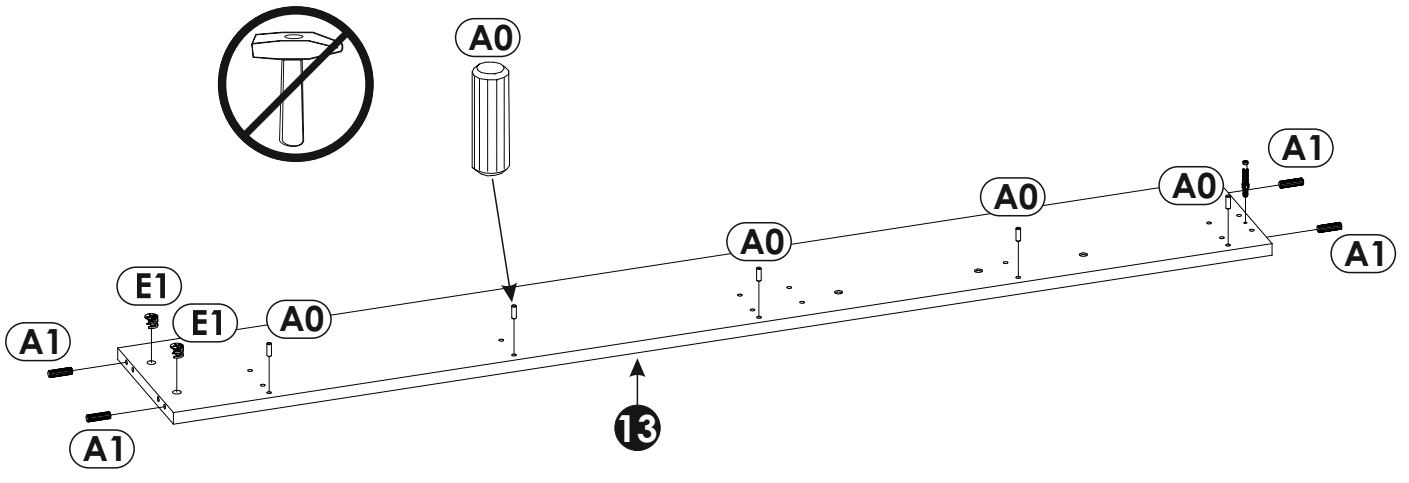
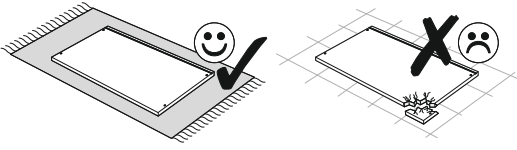
13 ▶



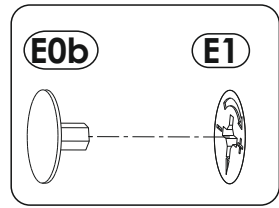
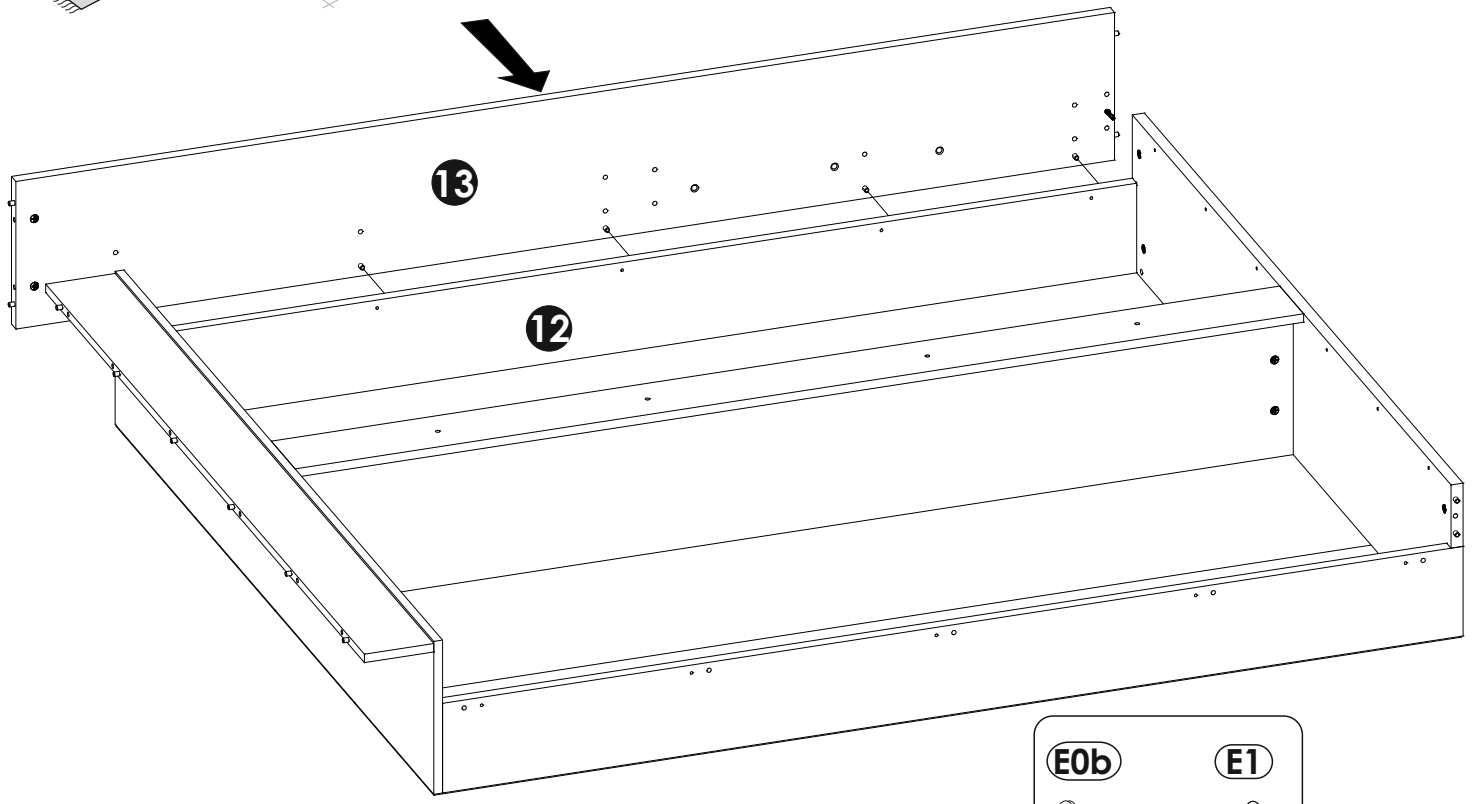
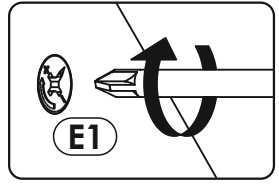
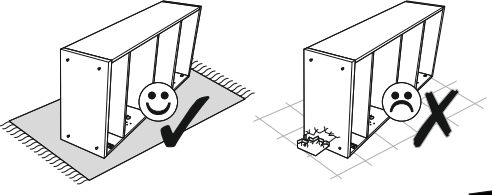
14 ▶



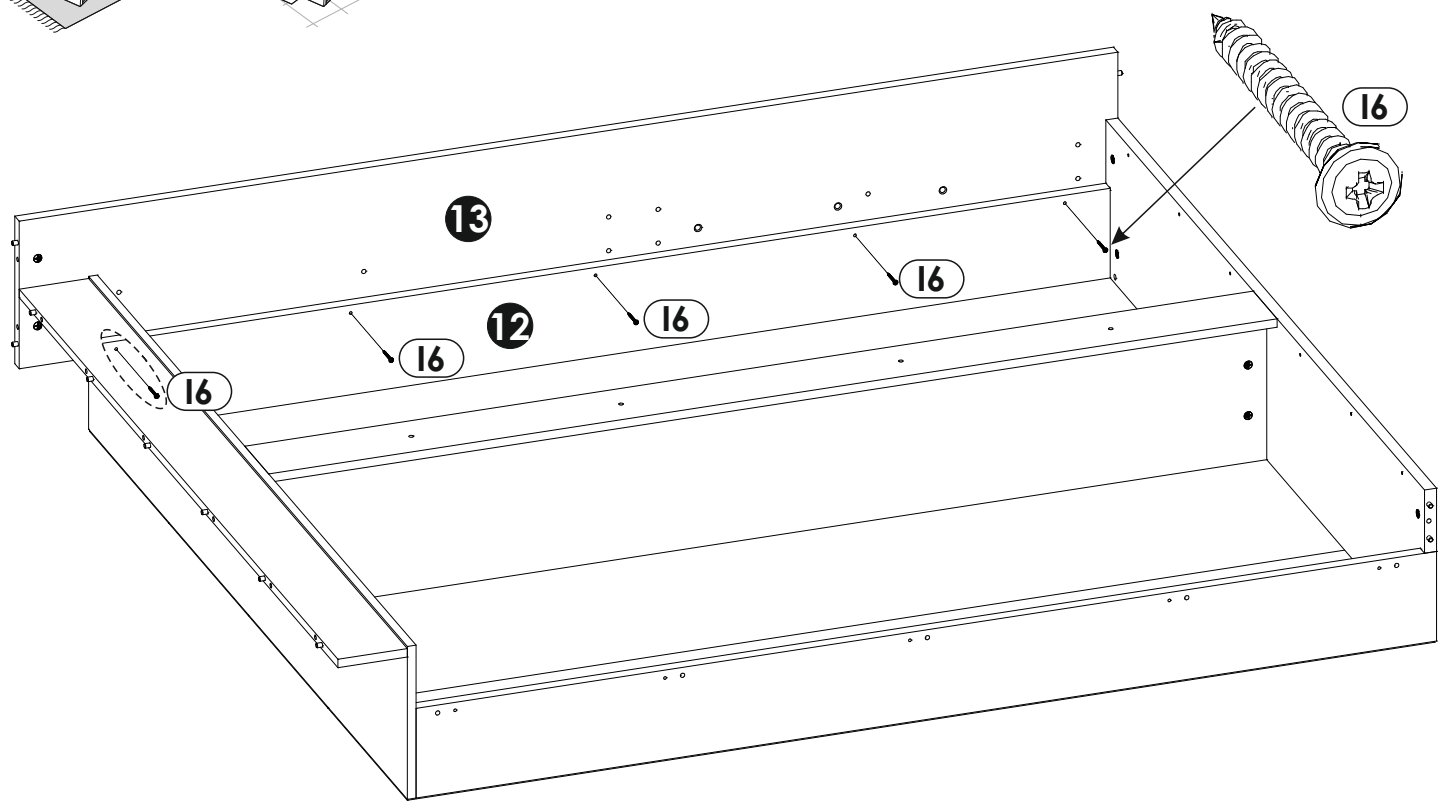
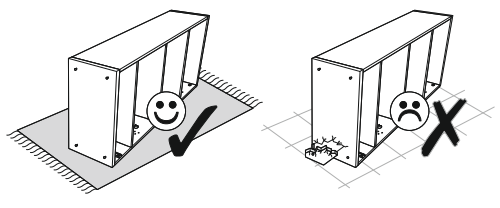
15 ▶



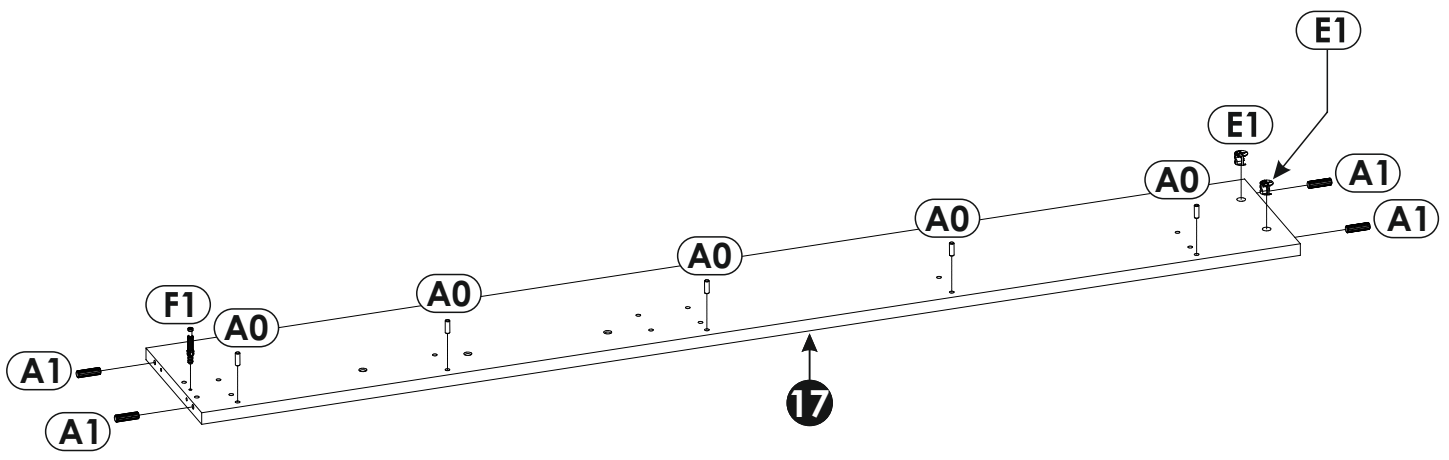
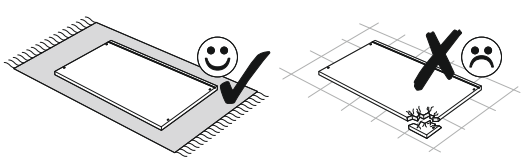
16 ▶



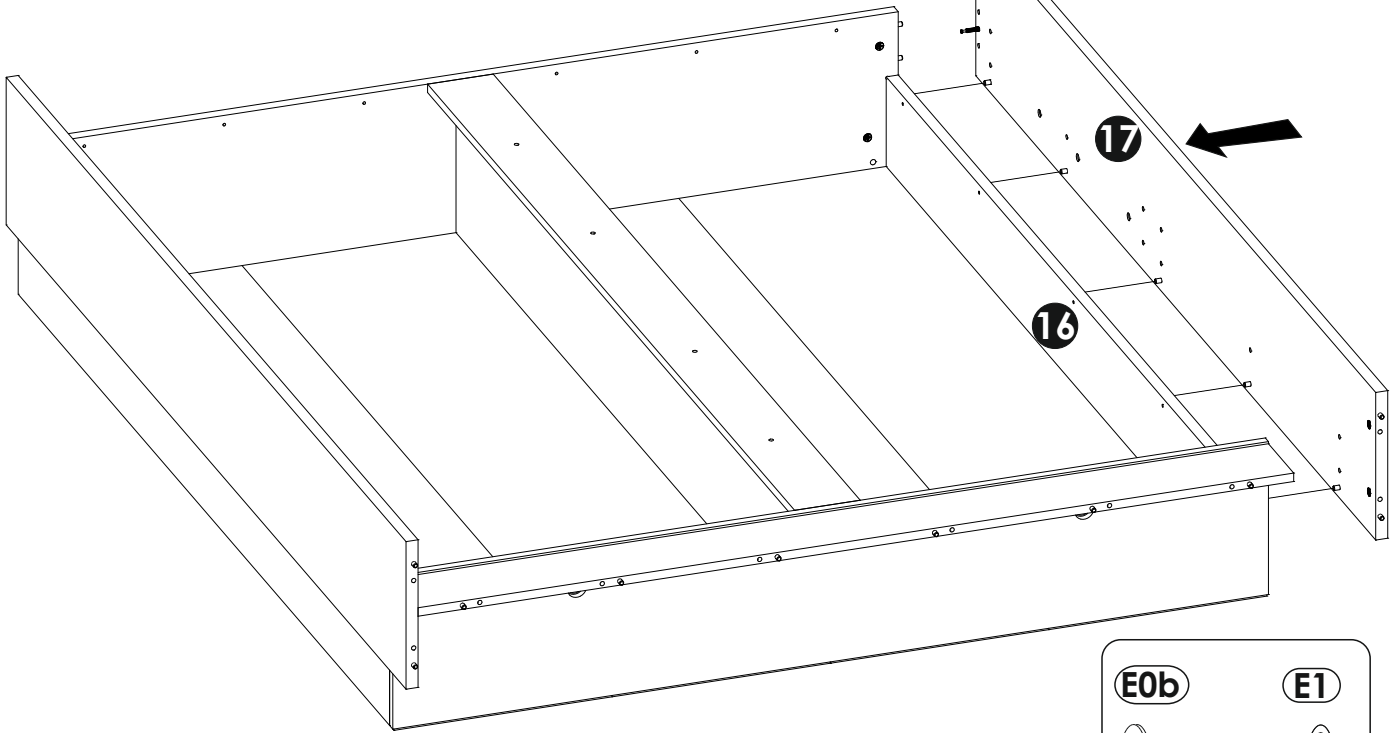
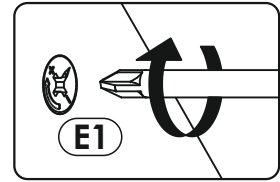
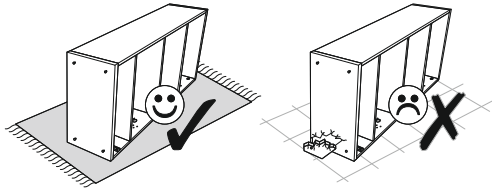
17▶



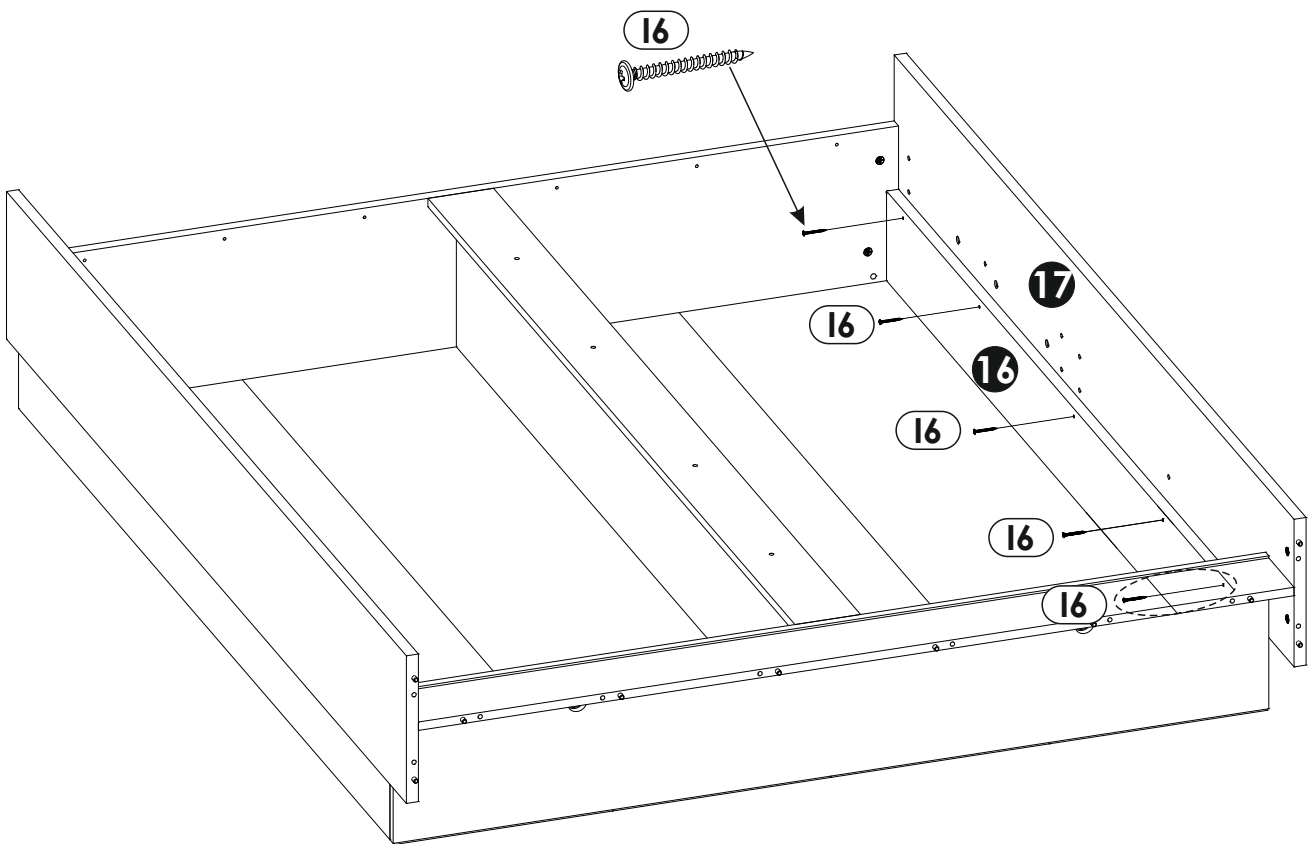
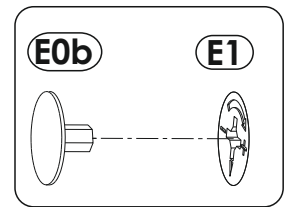
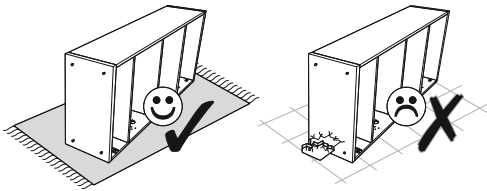
18▶



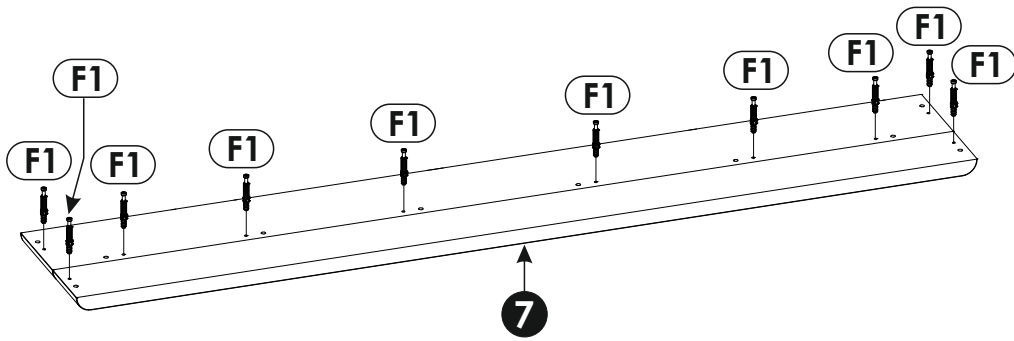
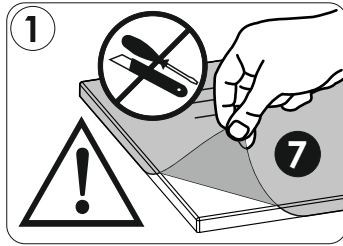
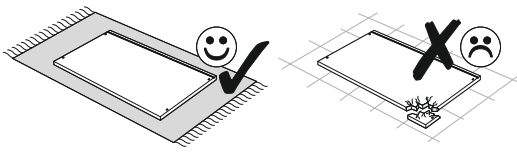
19 ▶



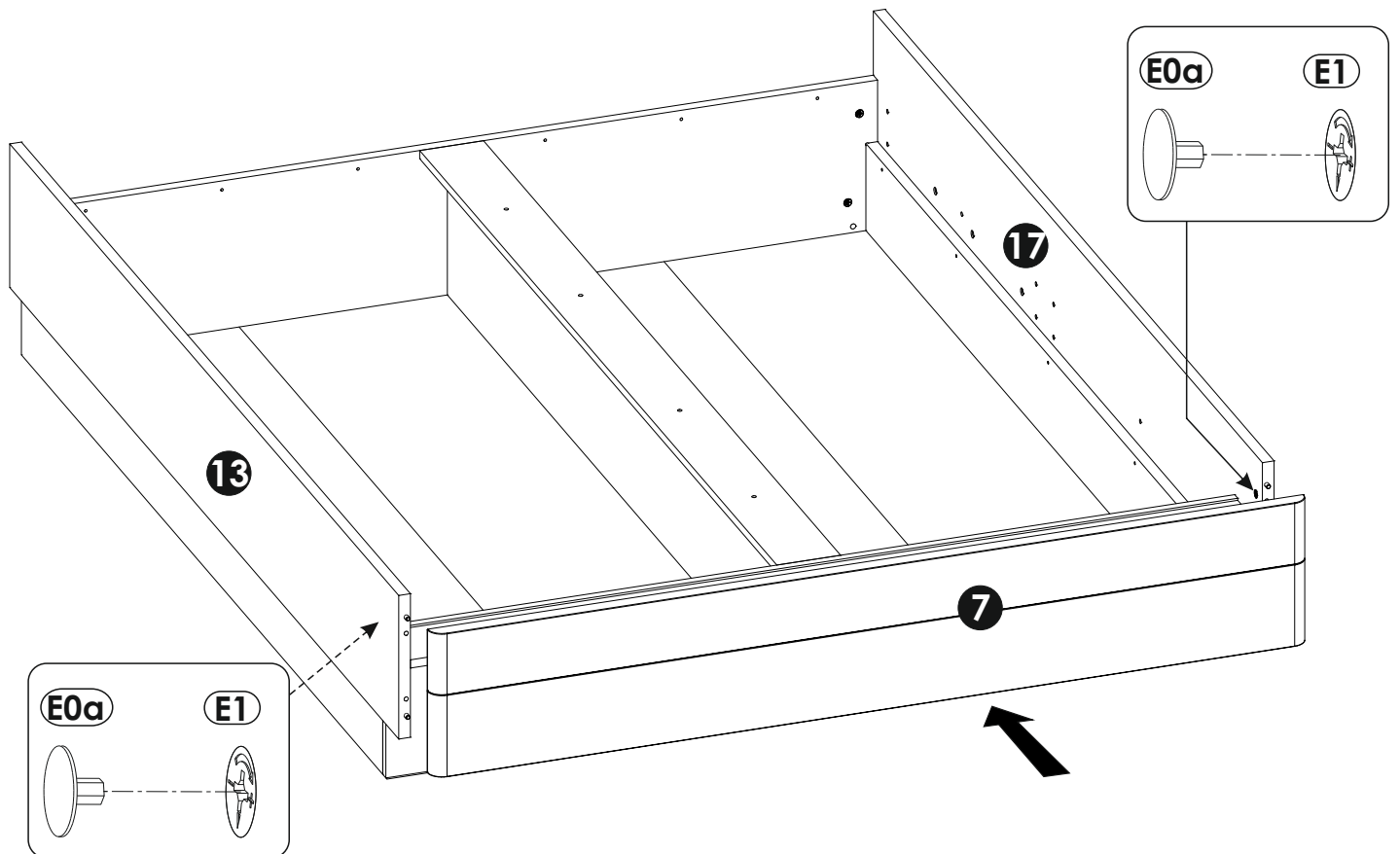
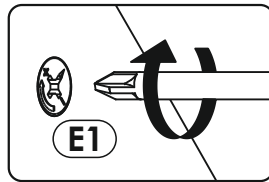
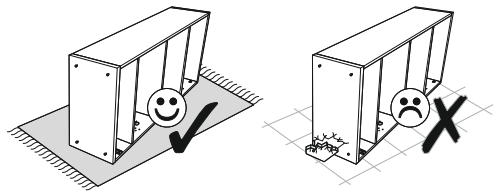
20 ▶



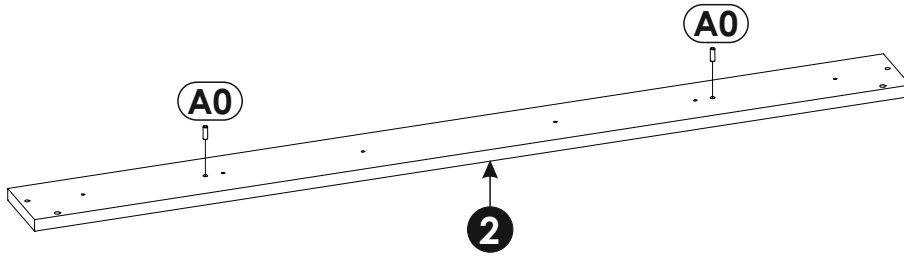
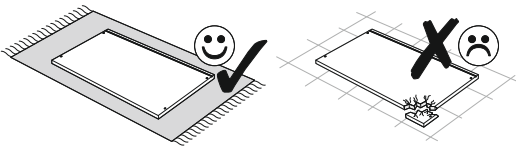
21 ▶



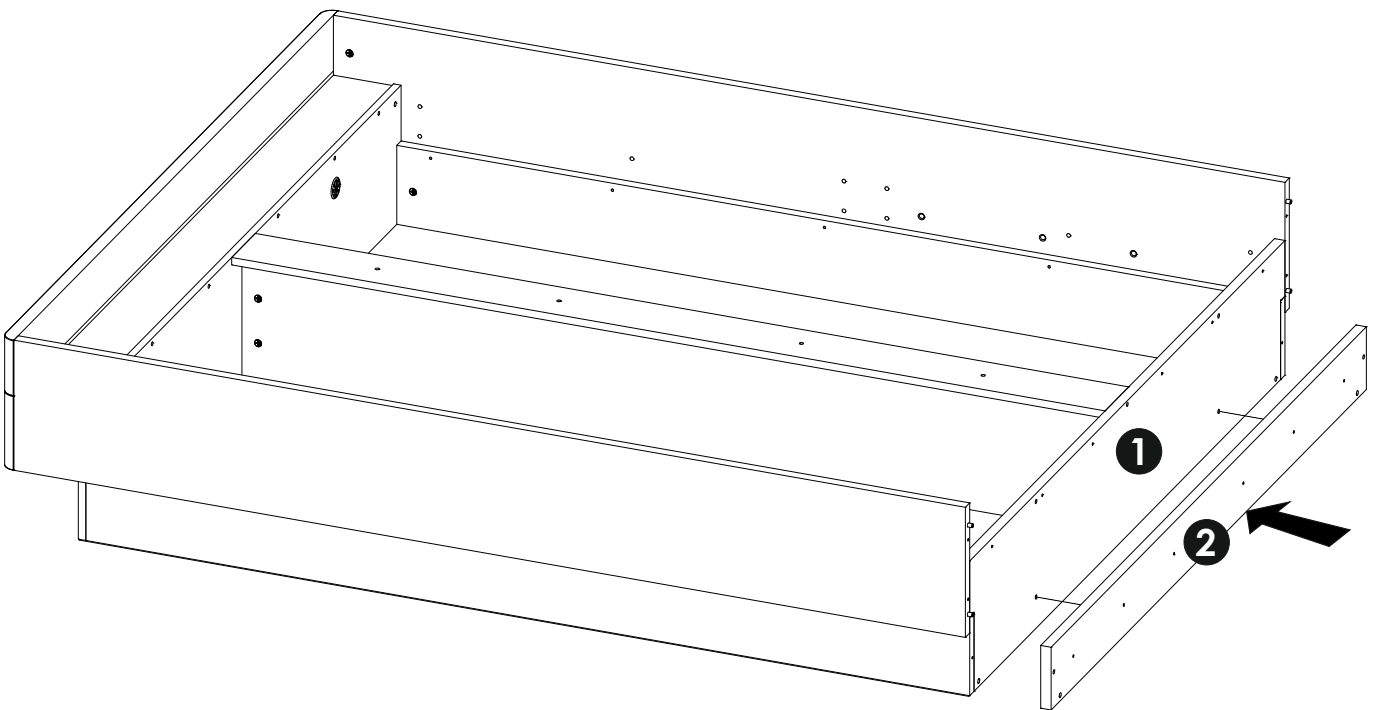
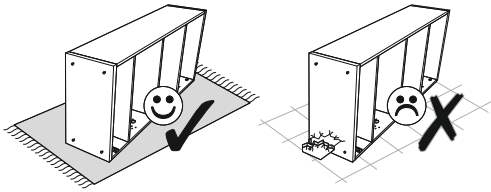
22 ▶



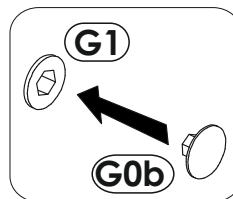
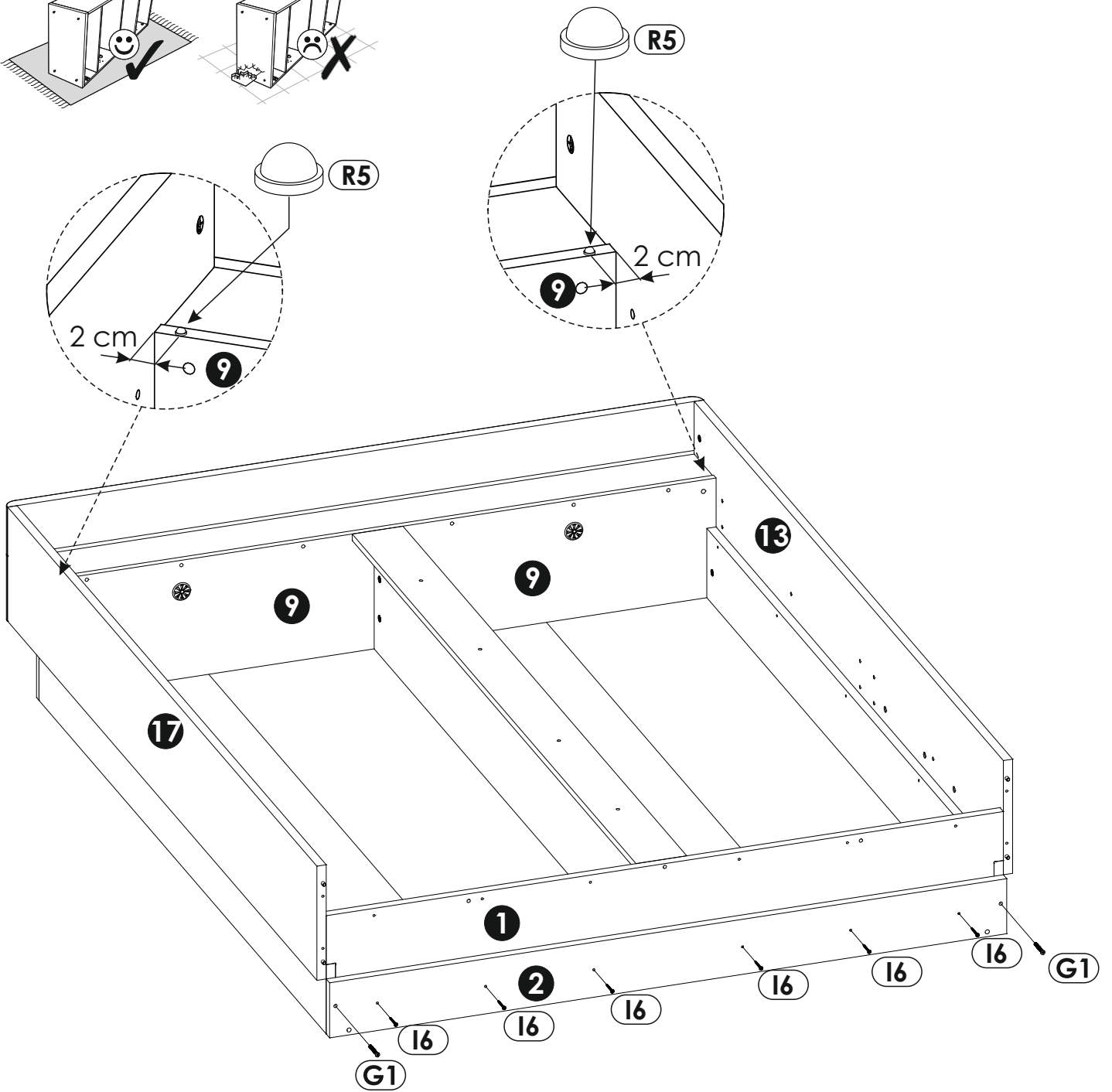
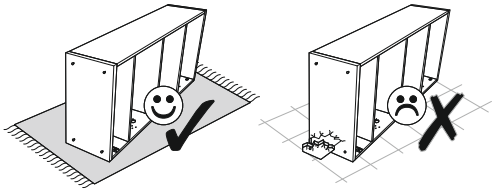
23▶



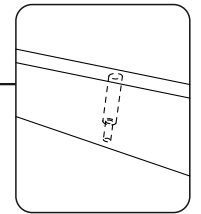
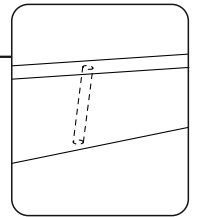
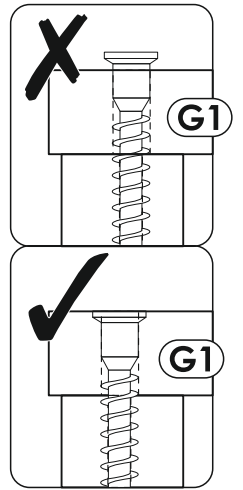
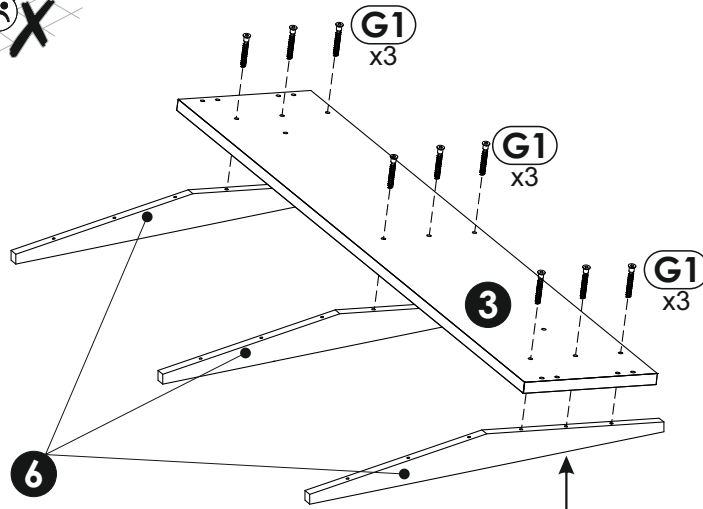
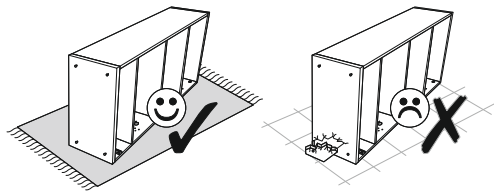
24▶



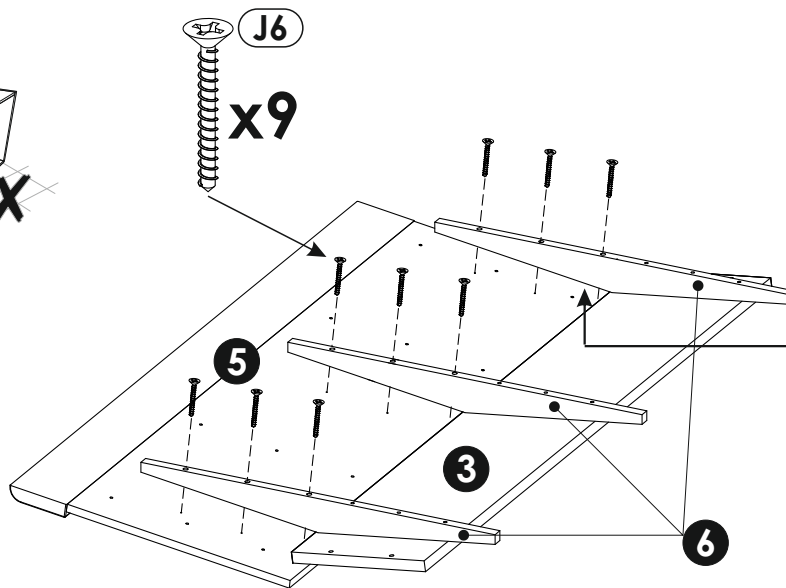
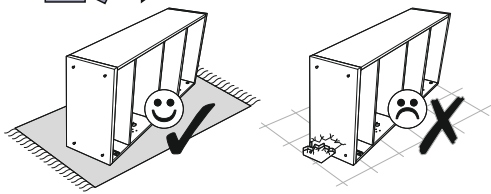
25 ▶



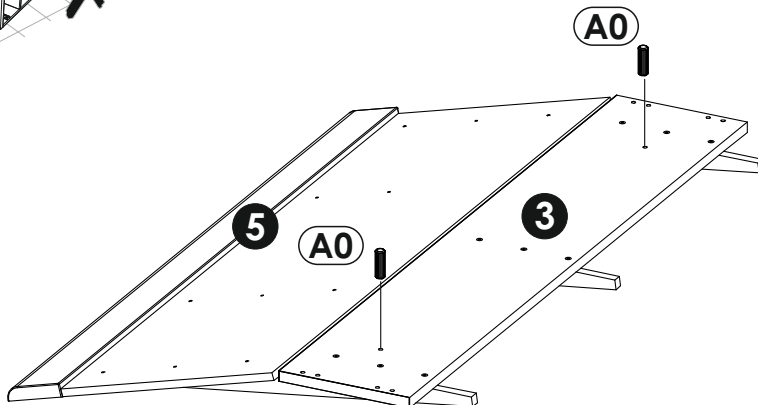
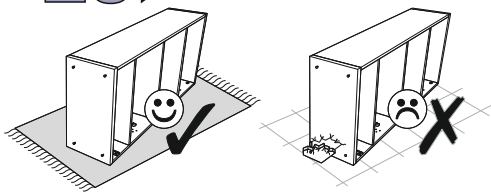
26 ▶



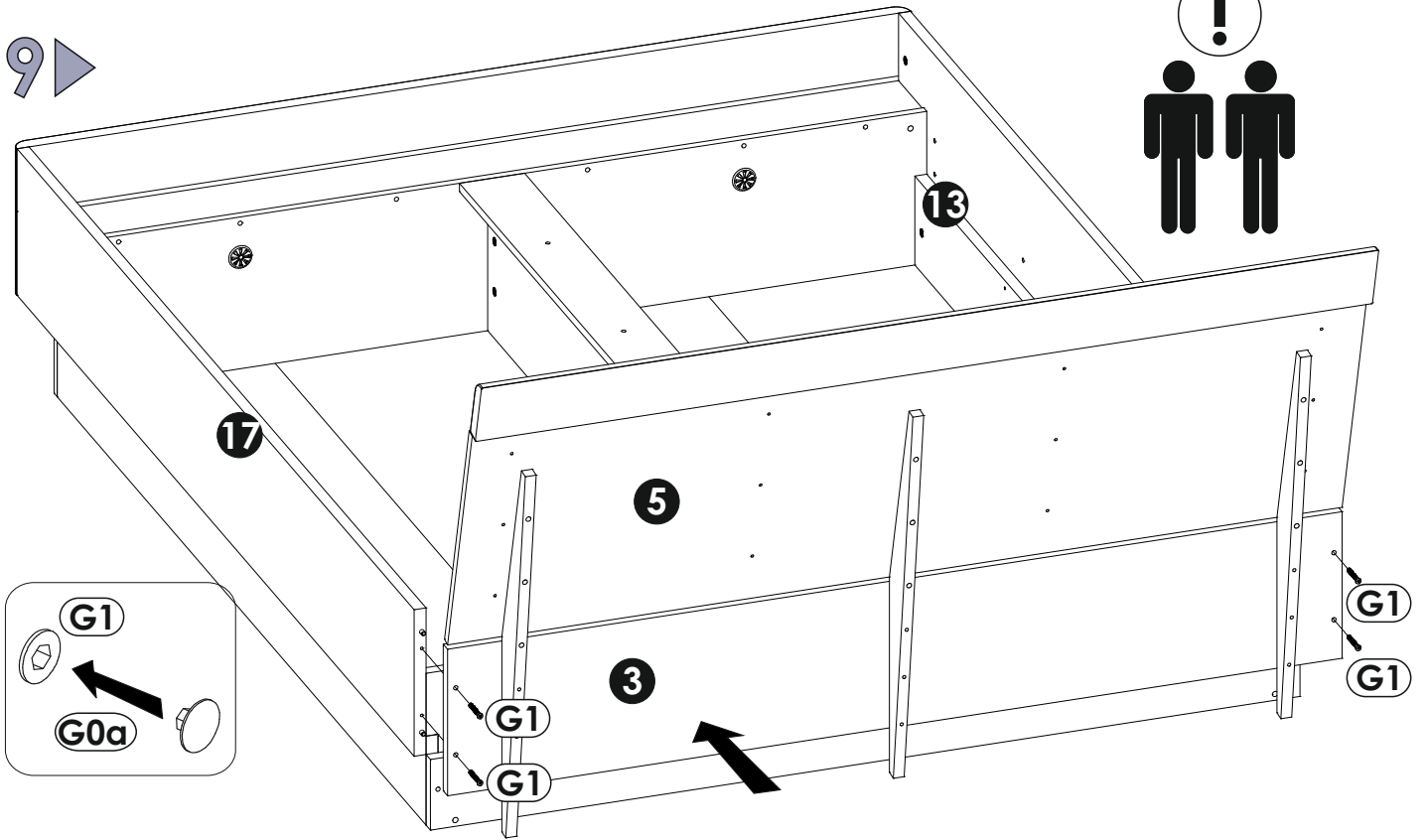
27 ▶



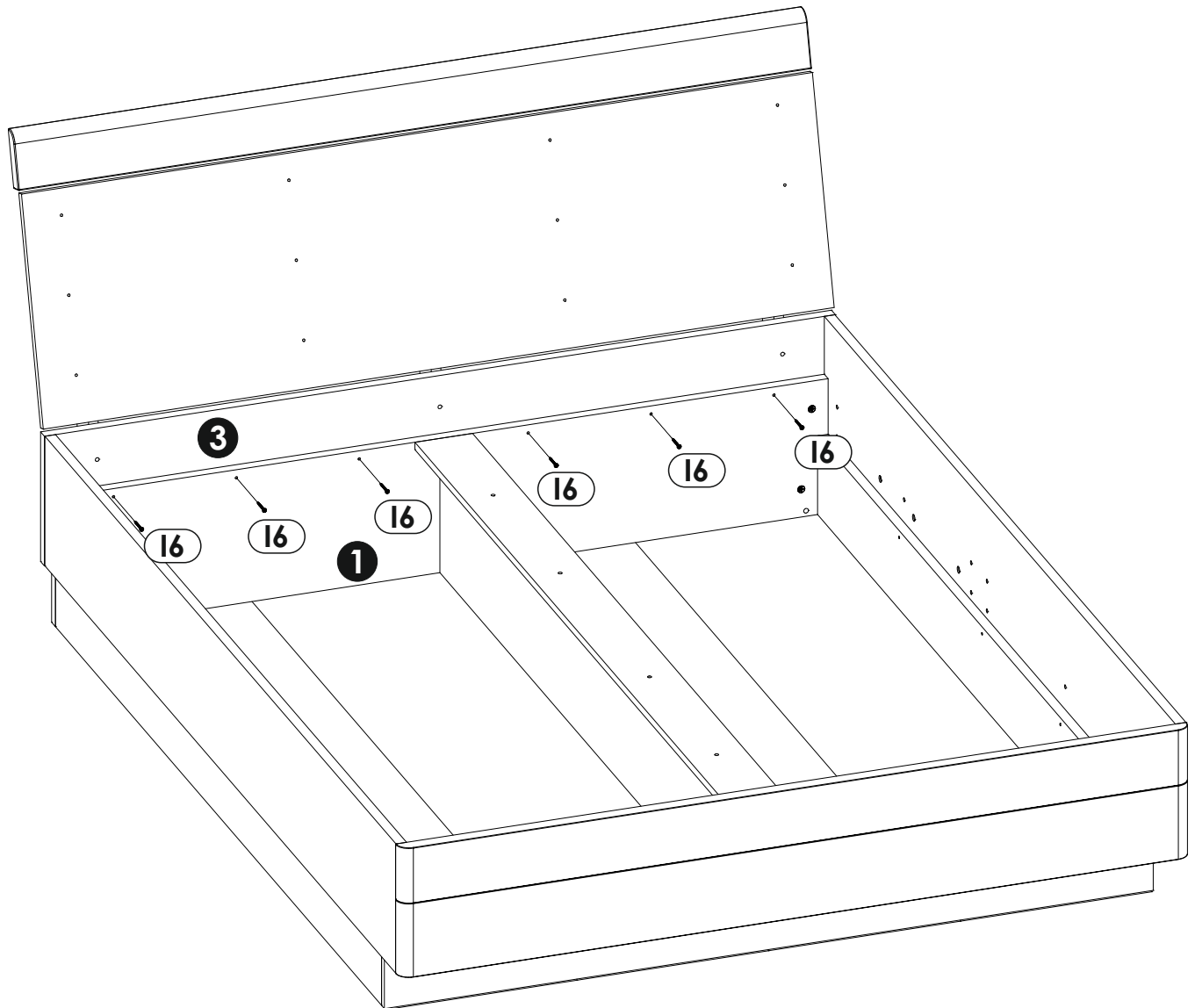
28 ▶



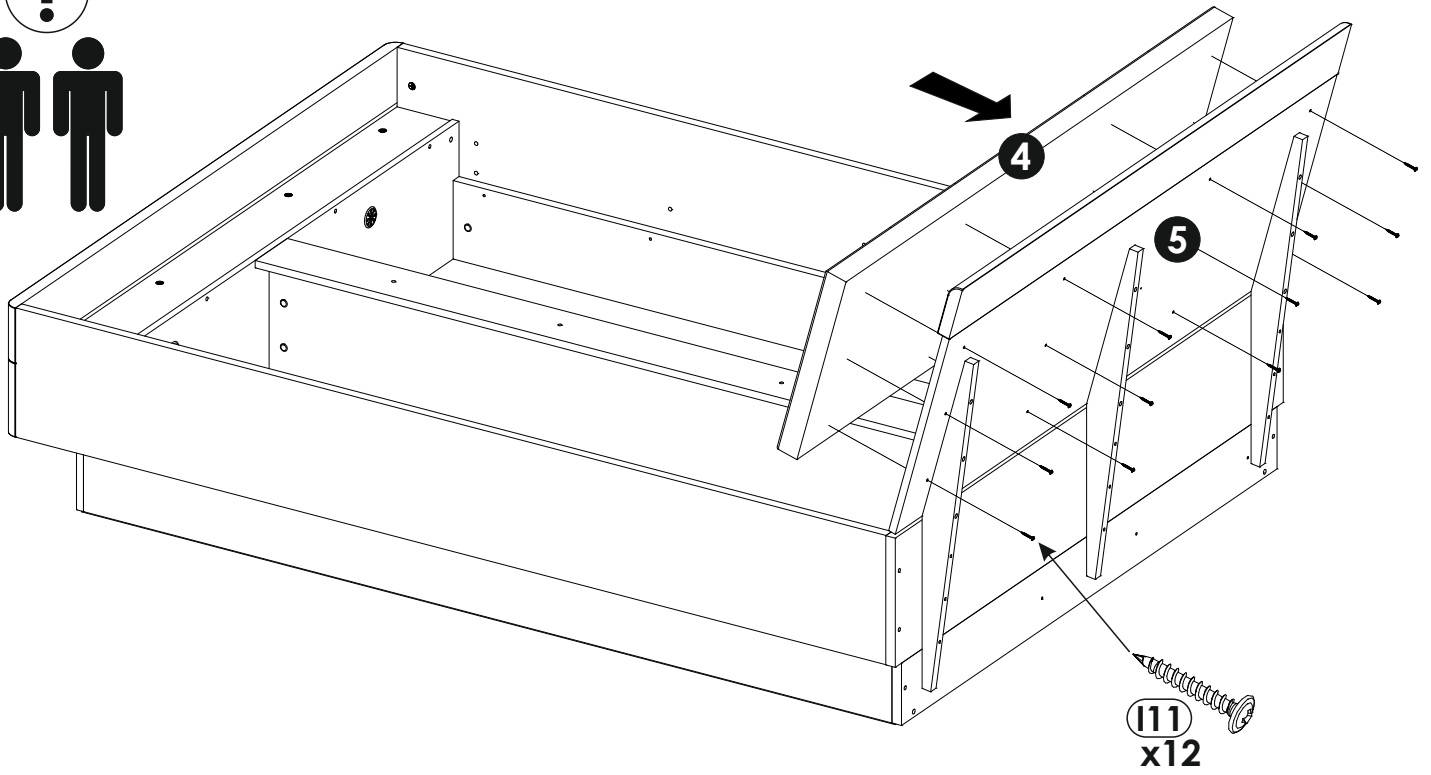
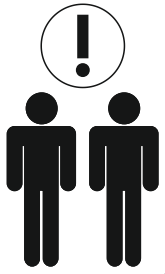
29 ▶



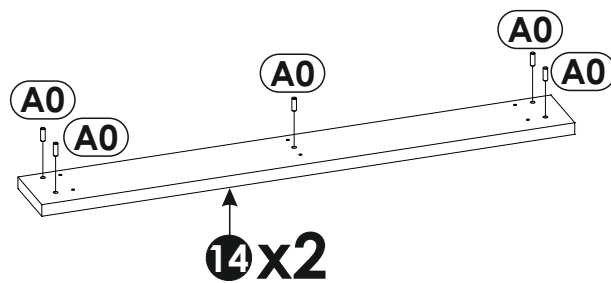
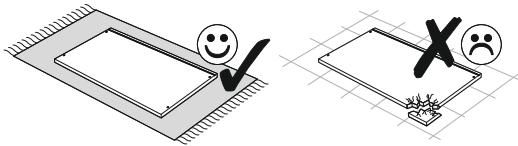
30 ▶



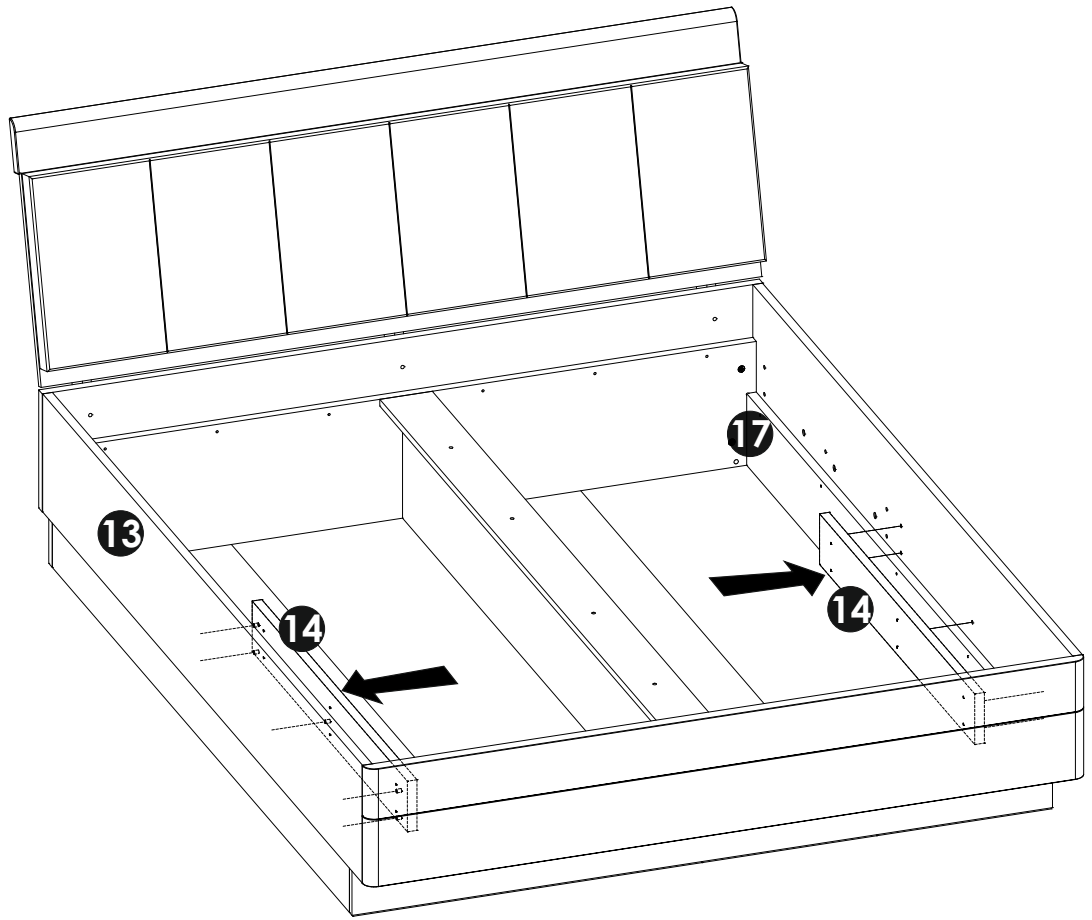
31 ▶



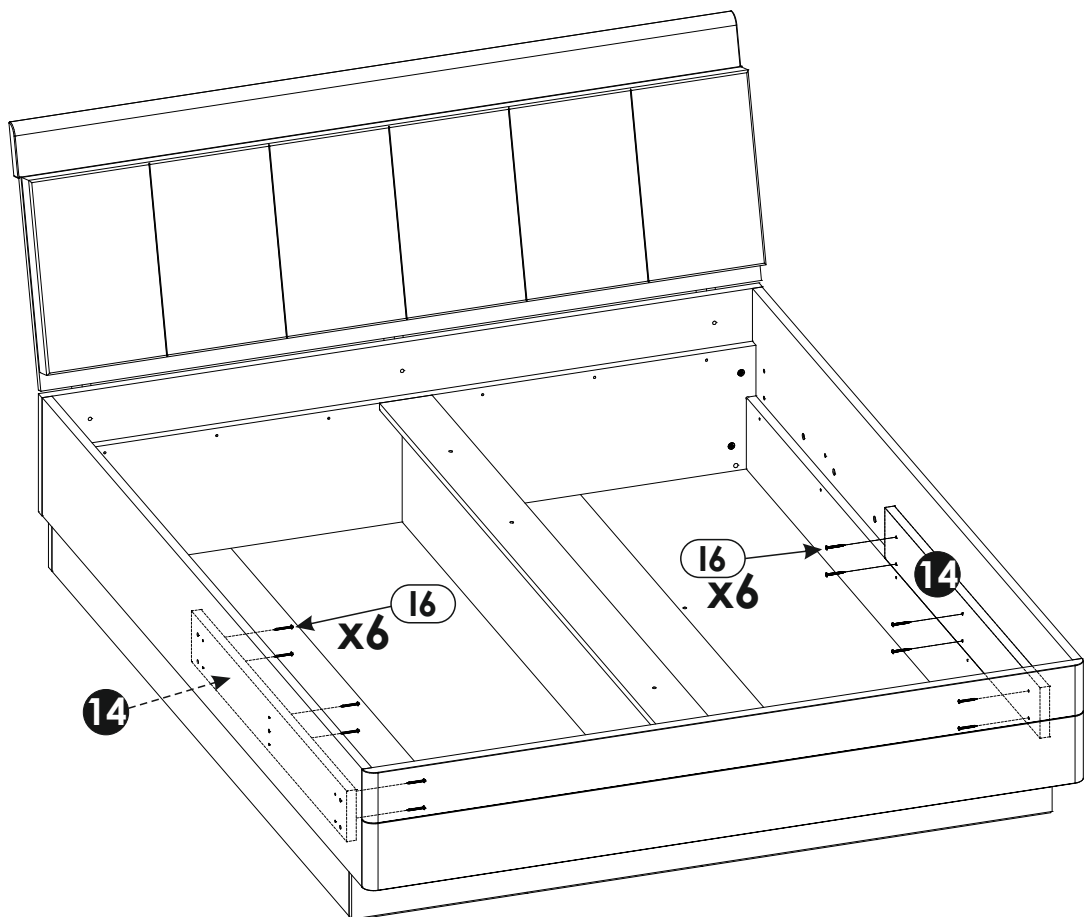
32 ▶



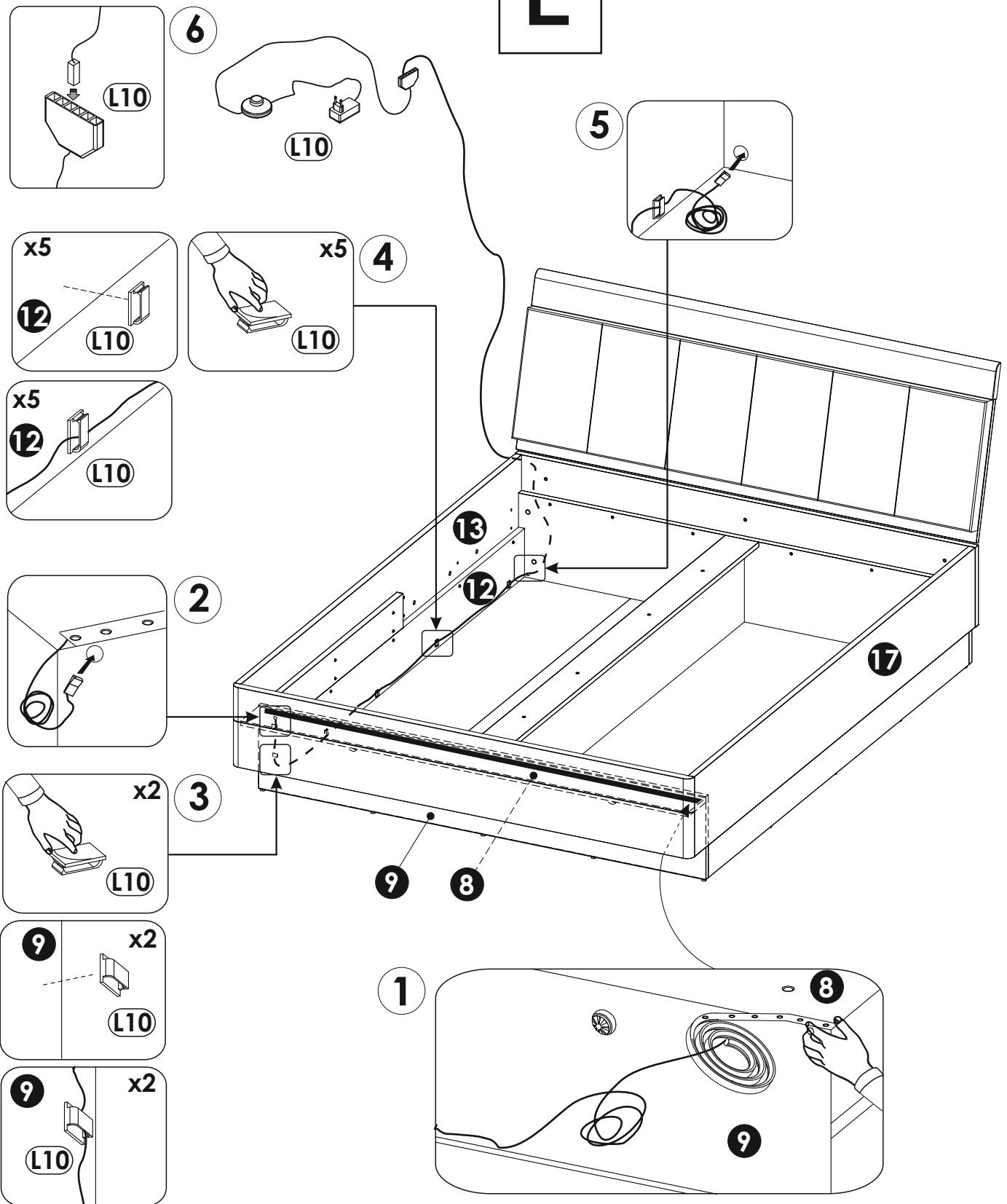
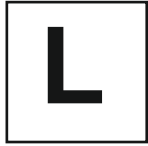
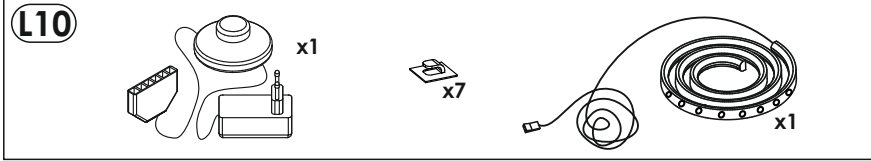
33 ▶

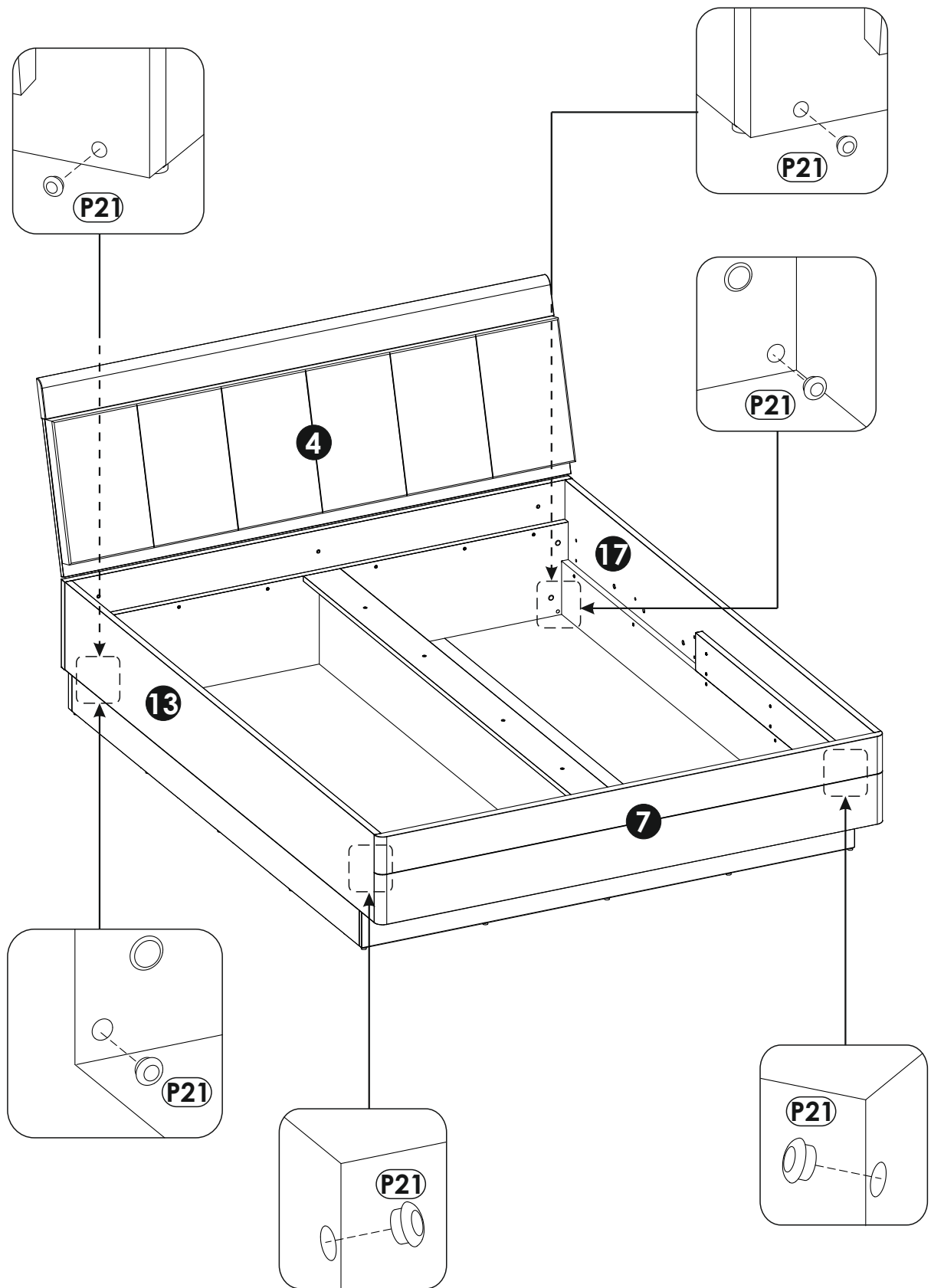


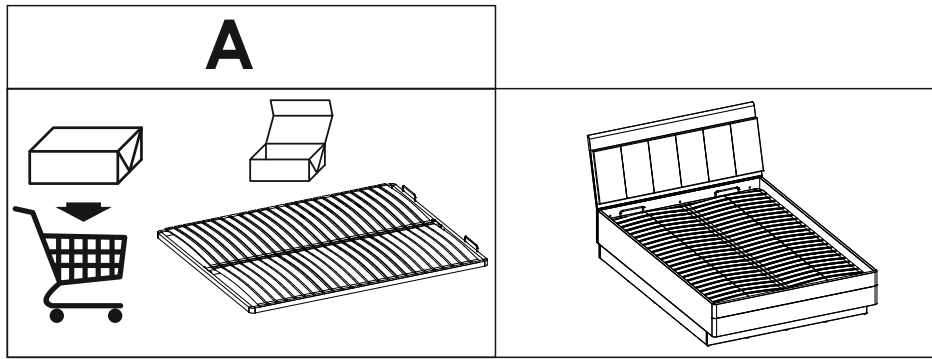
34 ▶



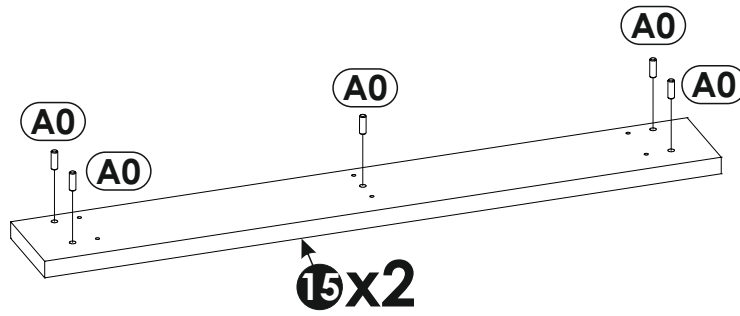
OPTION I



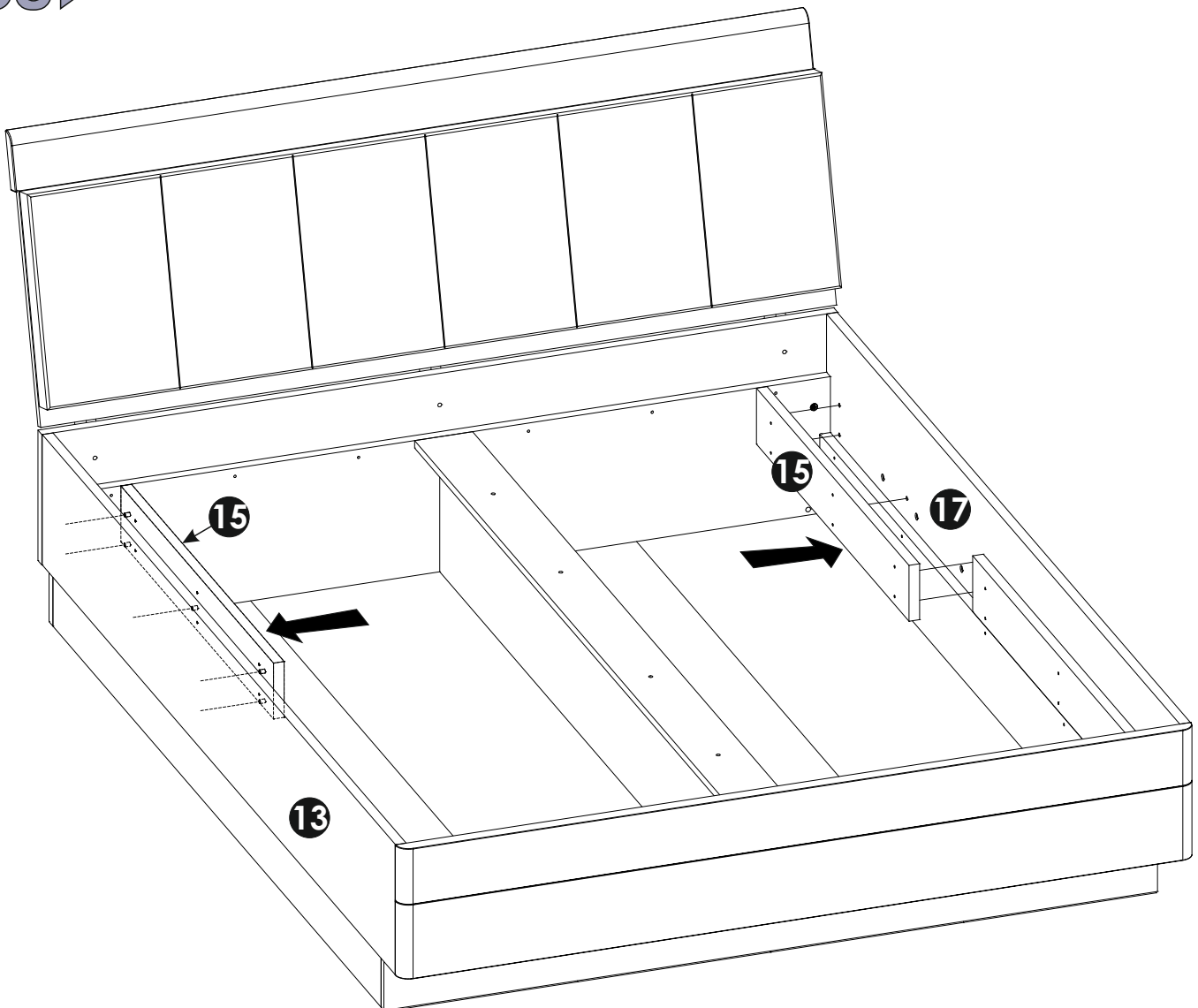


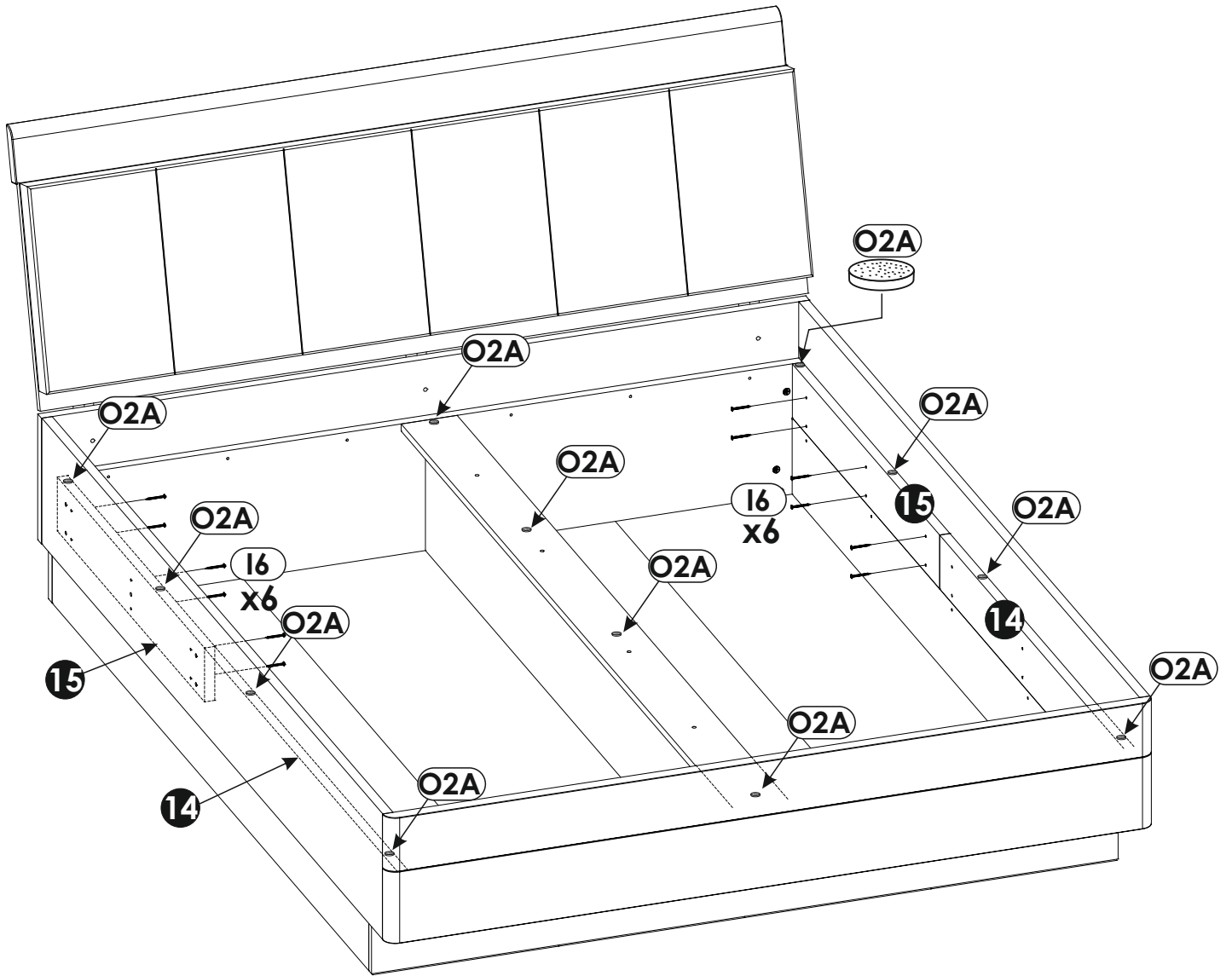


37▶

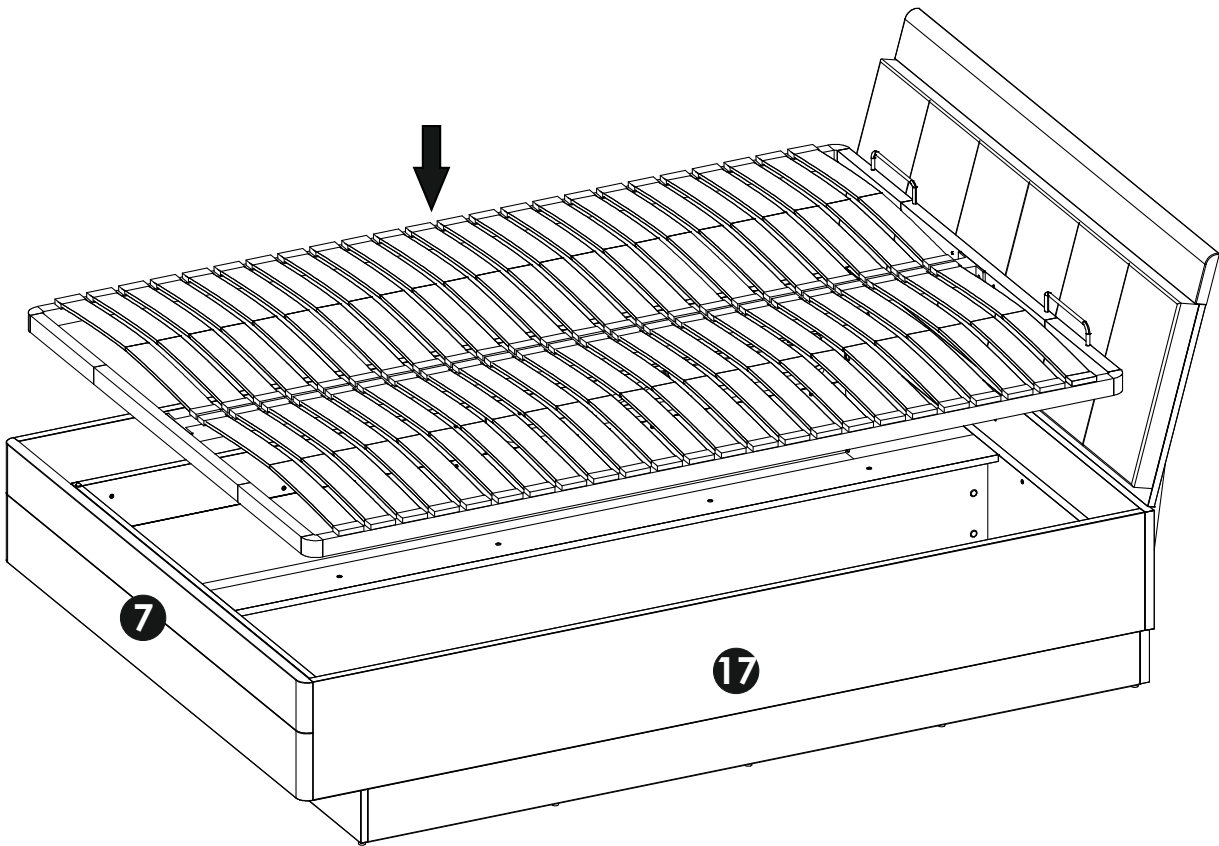


38▶

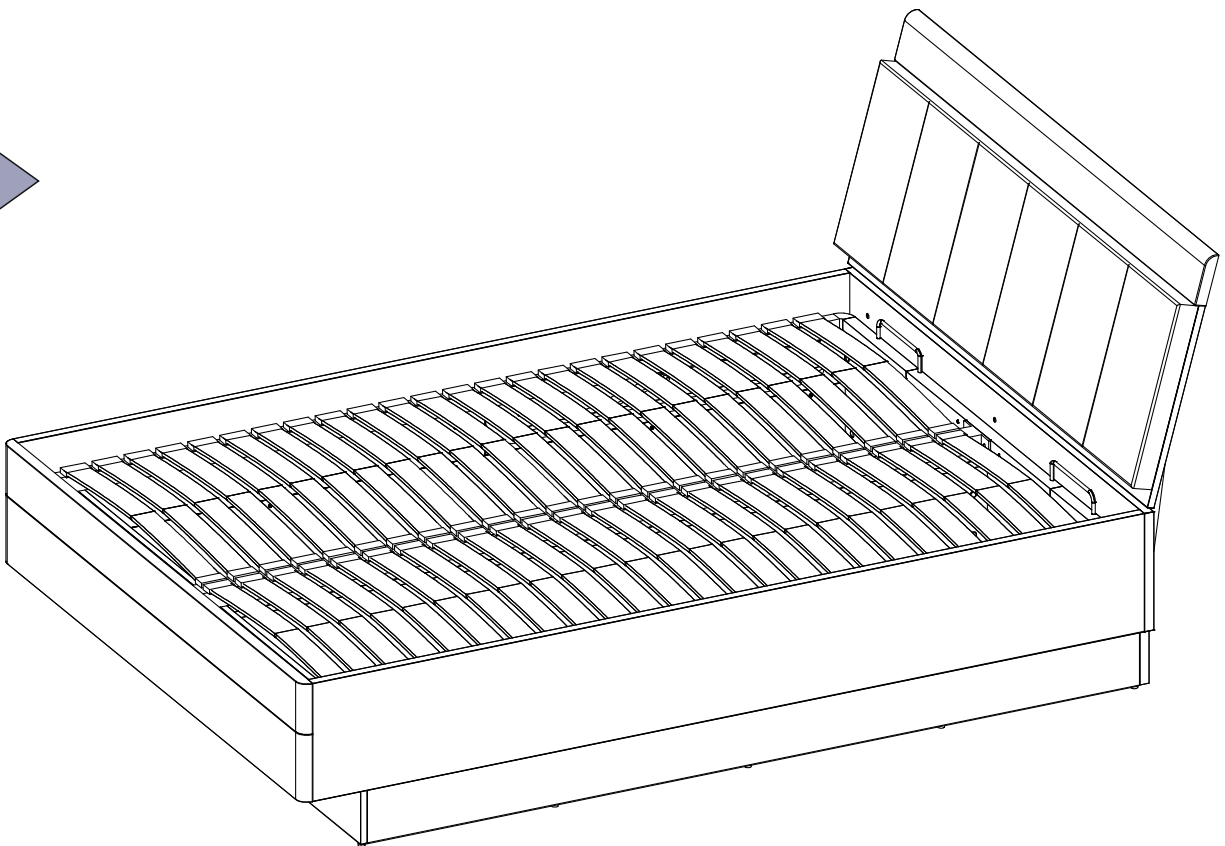


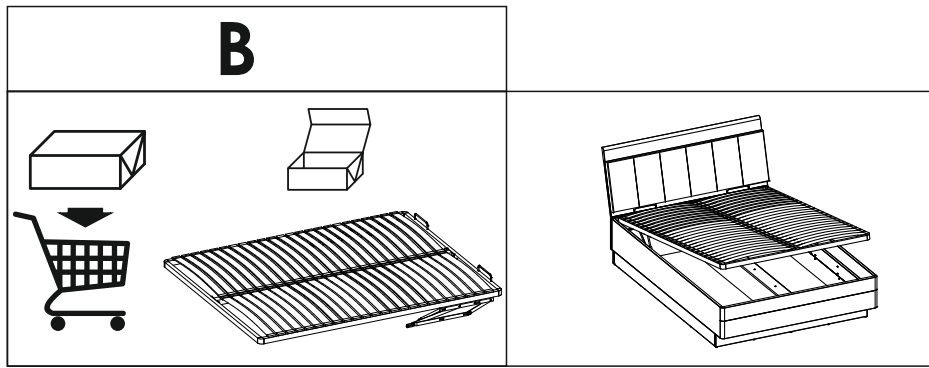


40 ▶

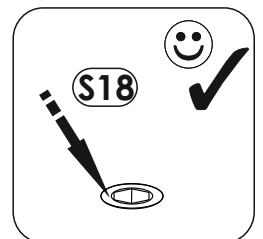
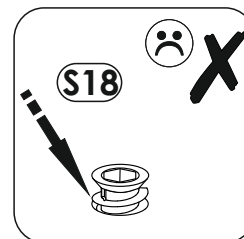
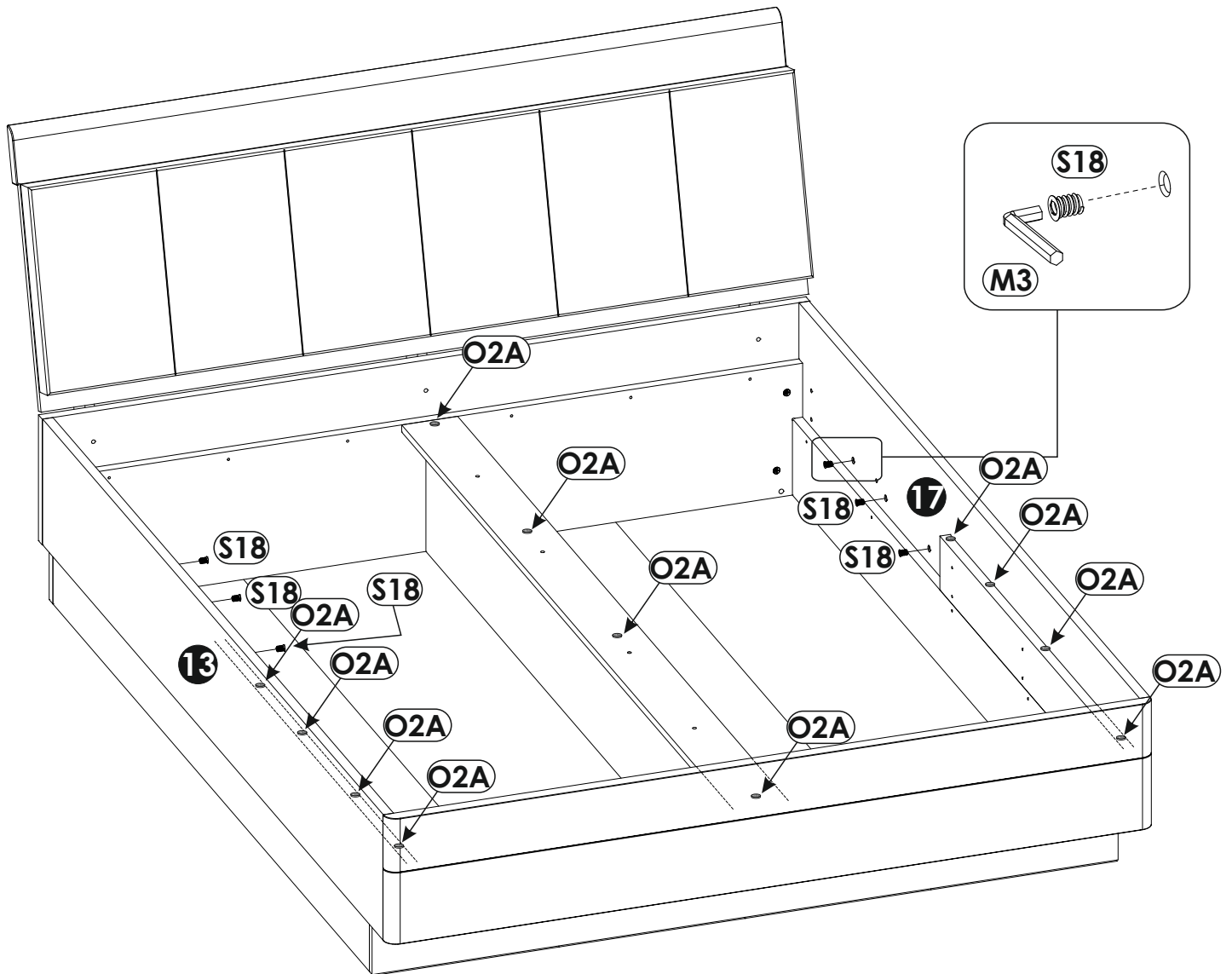


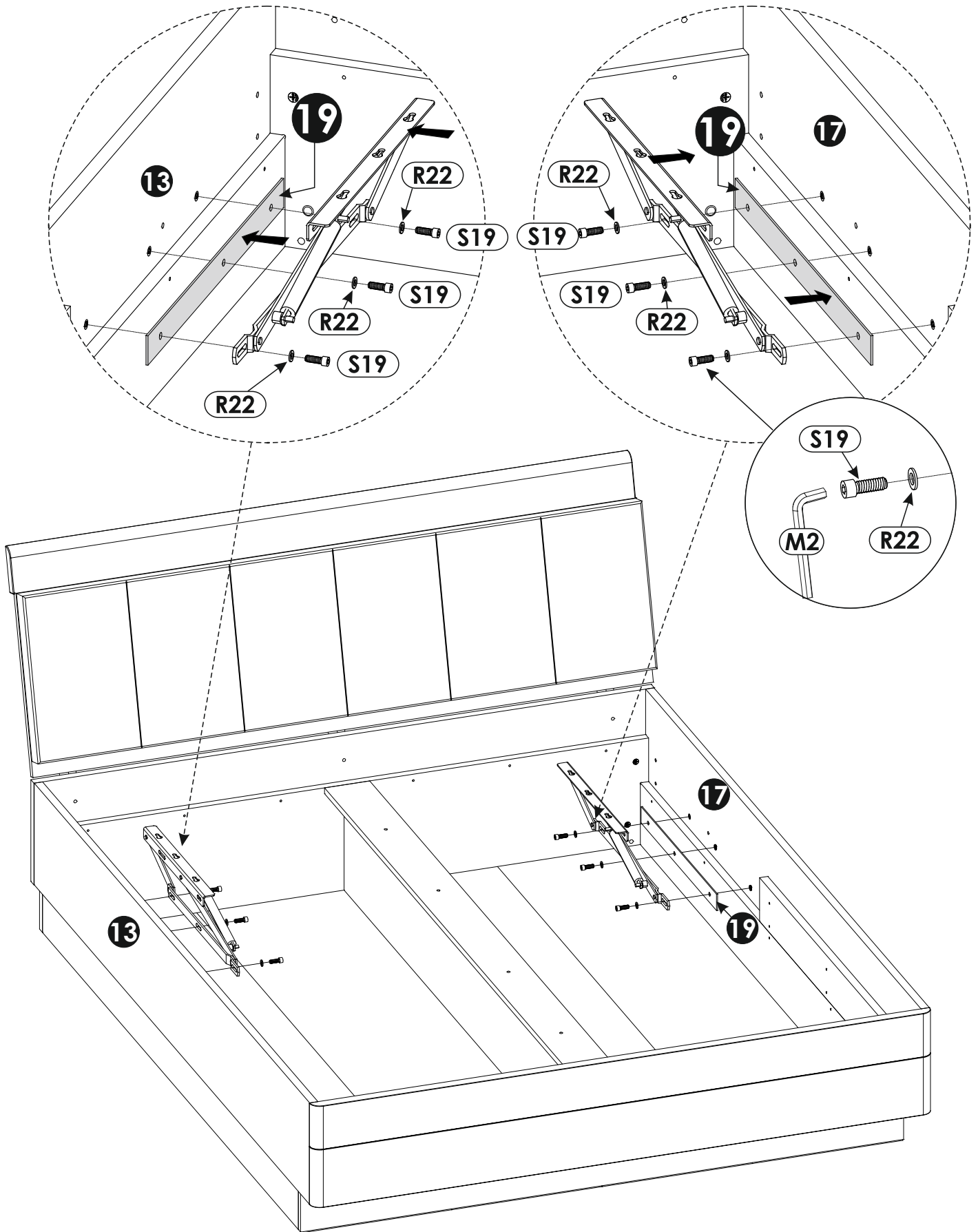
41 ▶



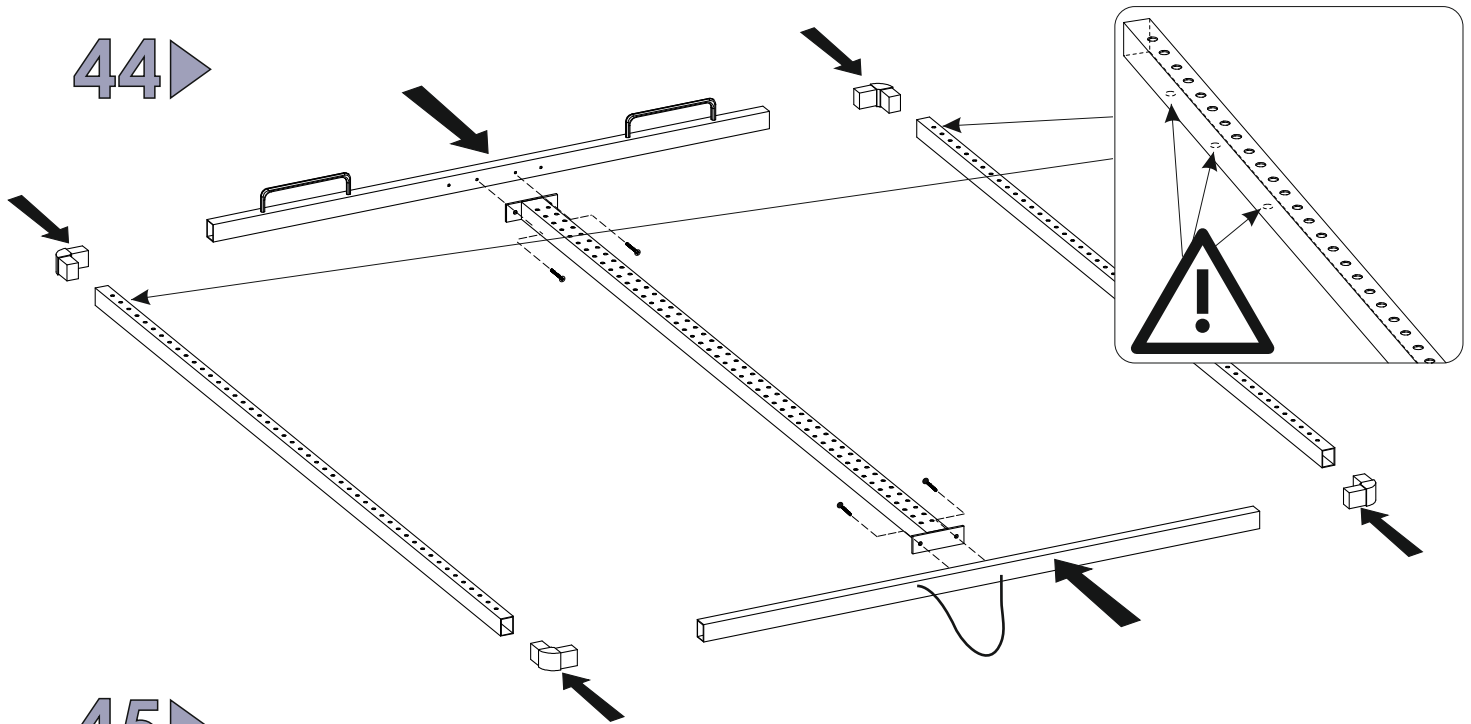


42 ▶

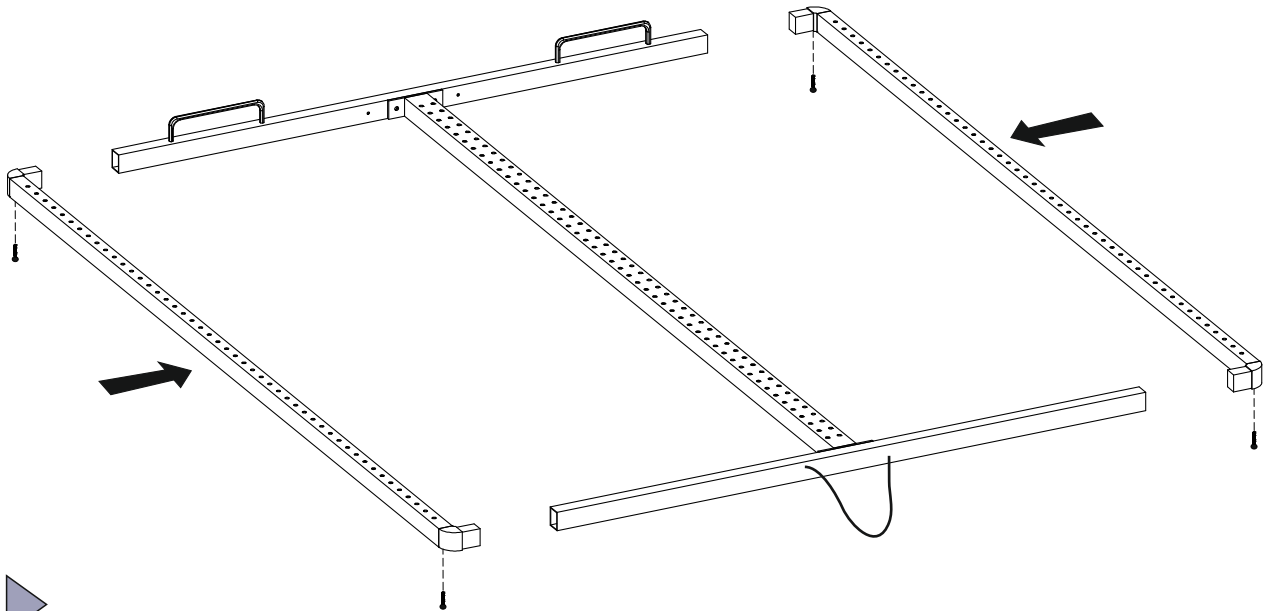




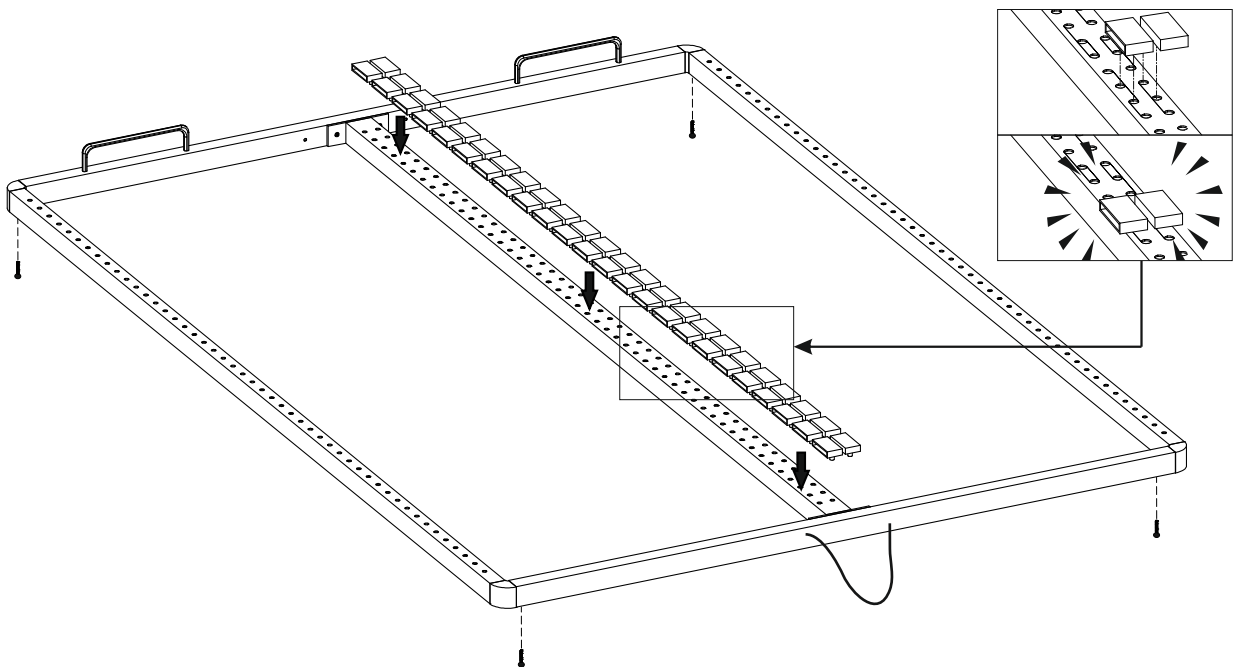
44 ▶



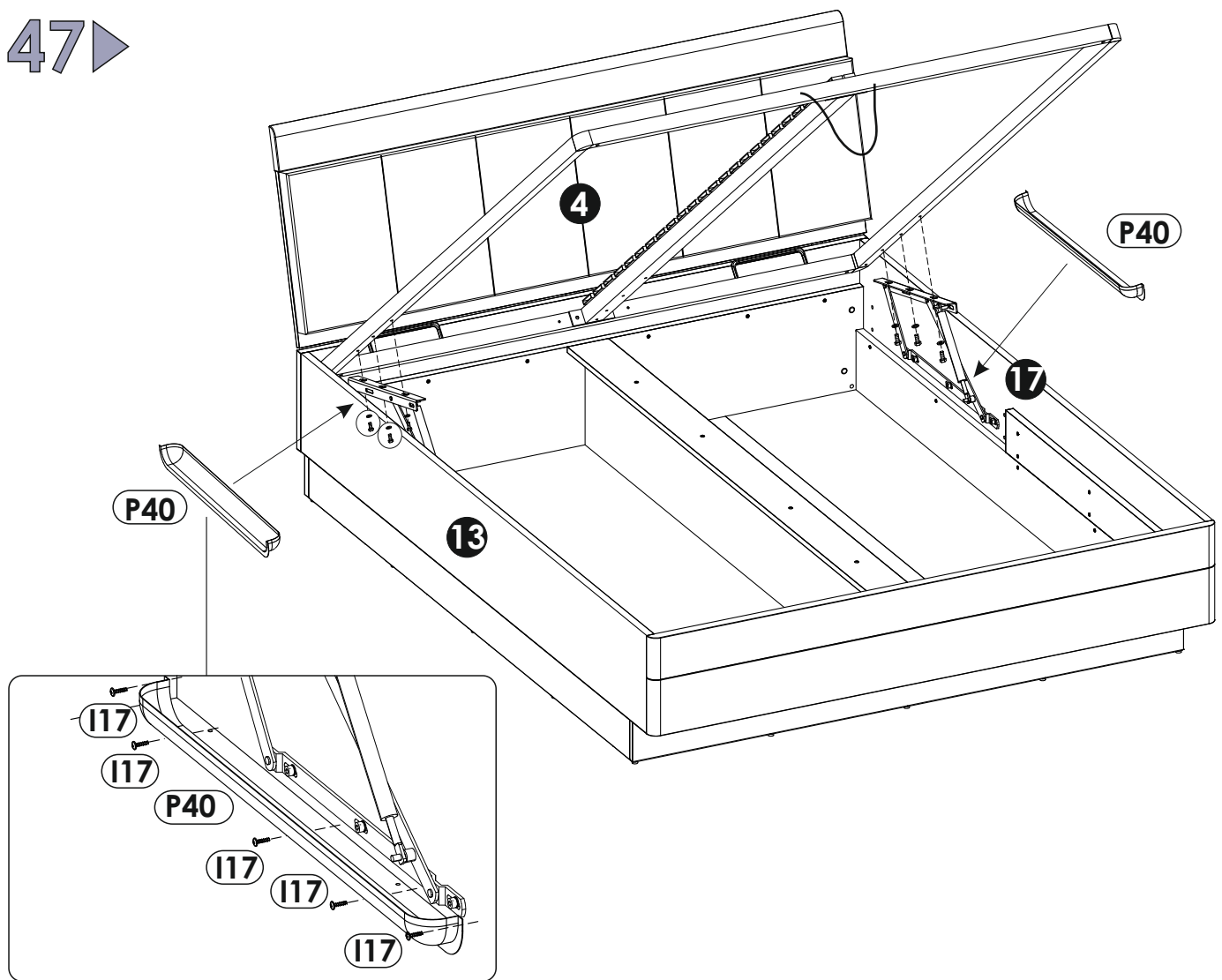
45 ▶



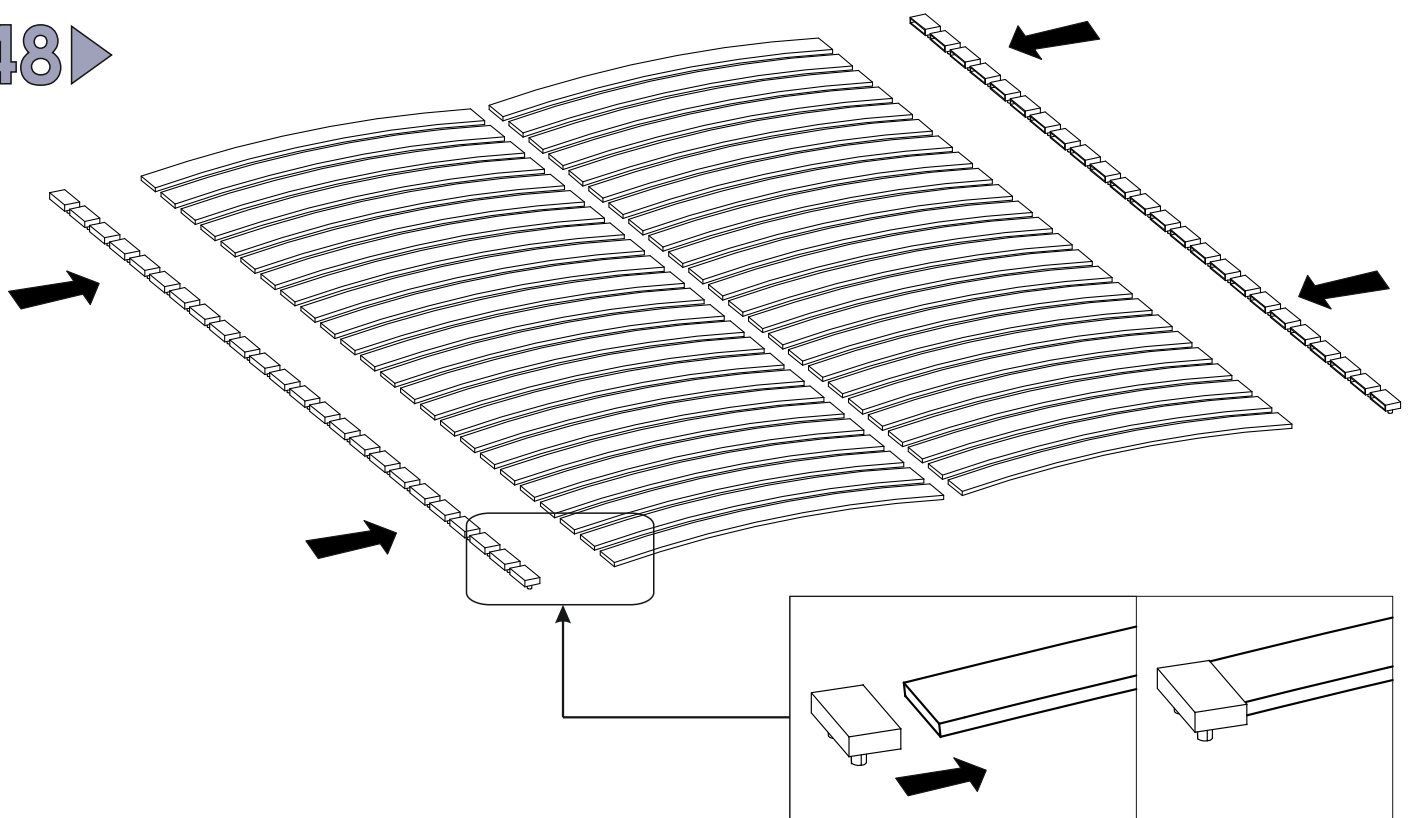
46 ▶



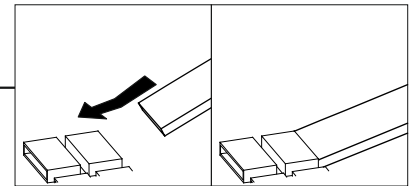
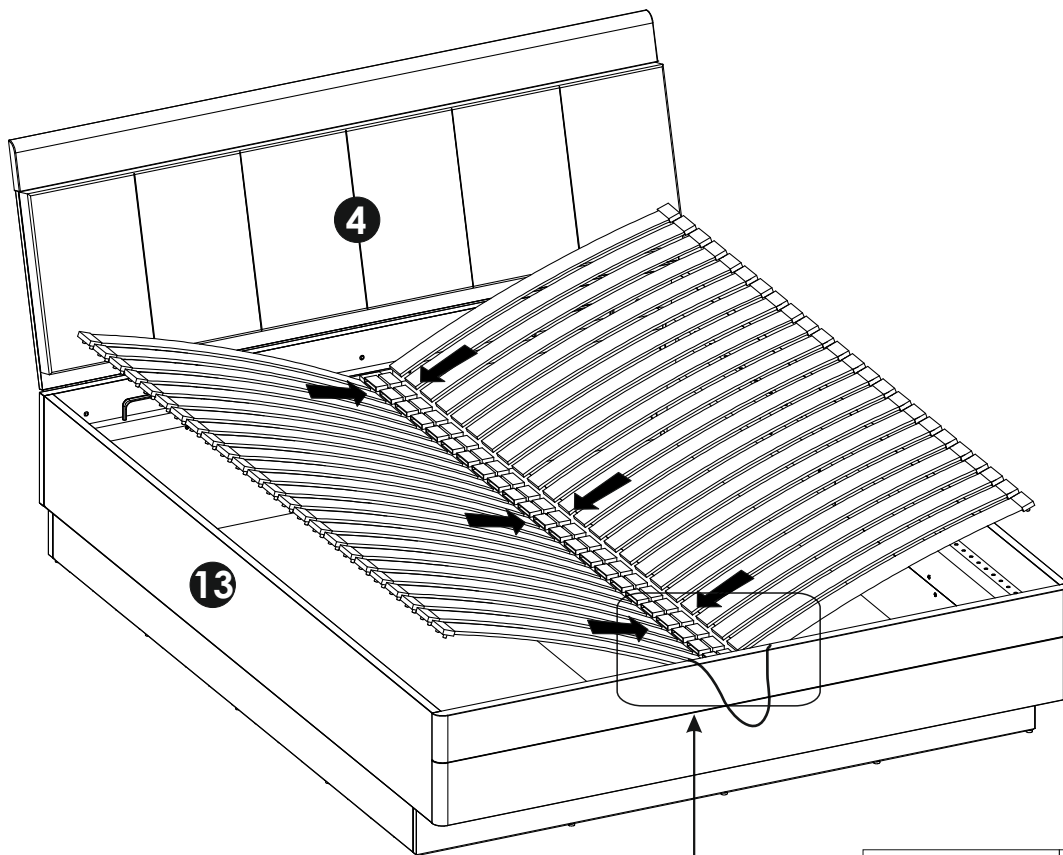
47▶



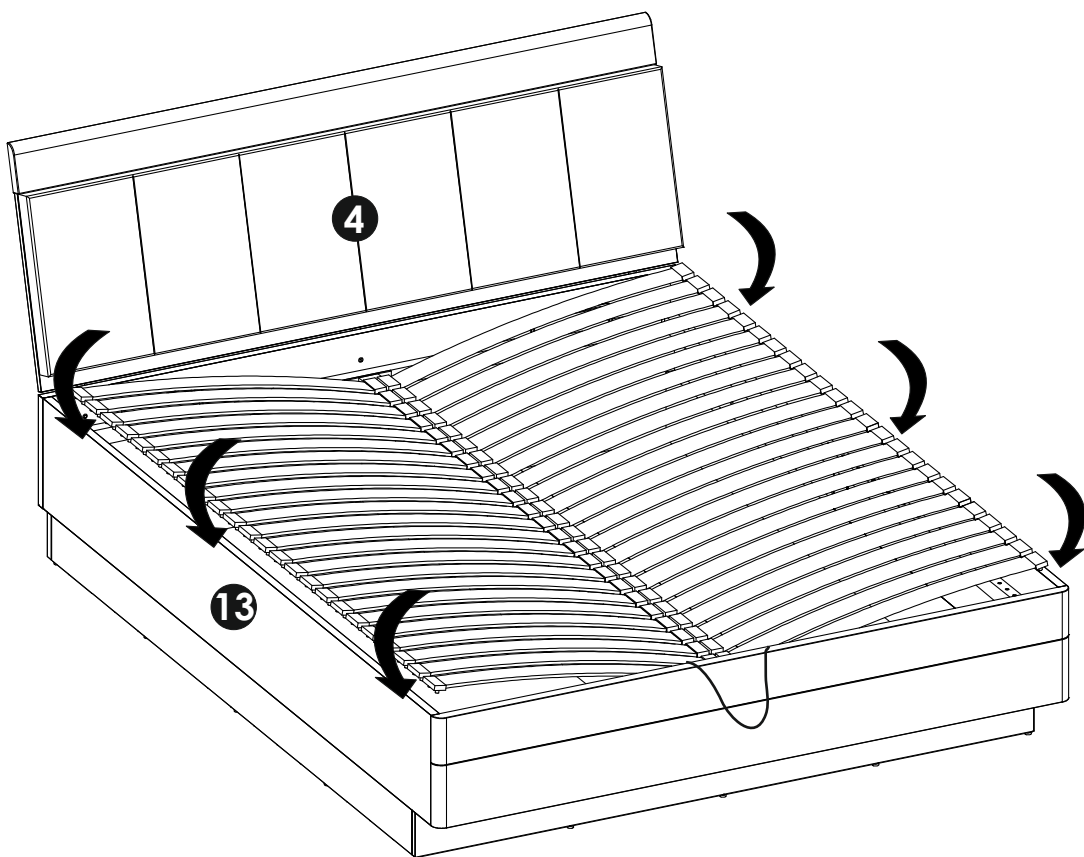
48▶

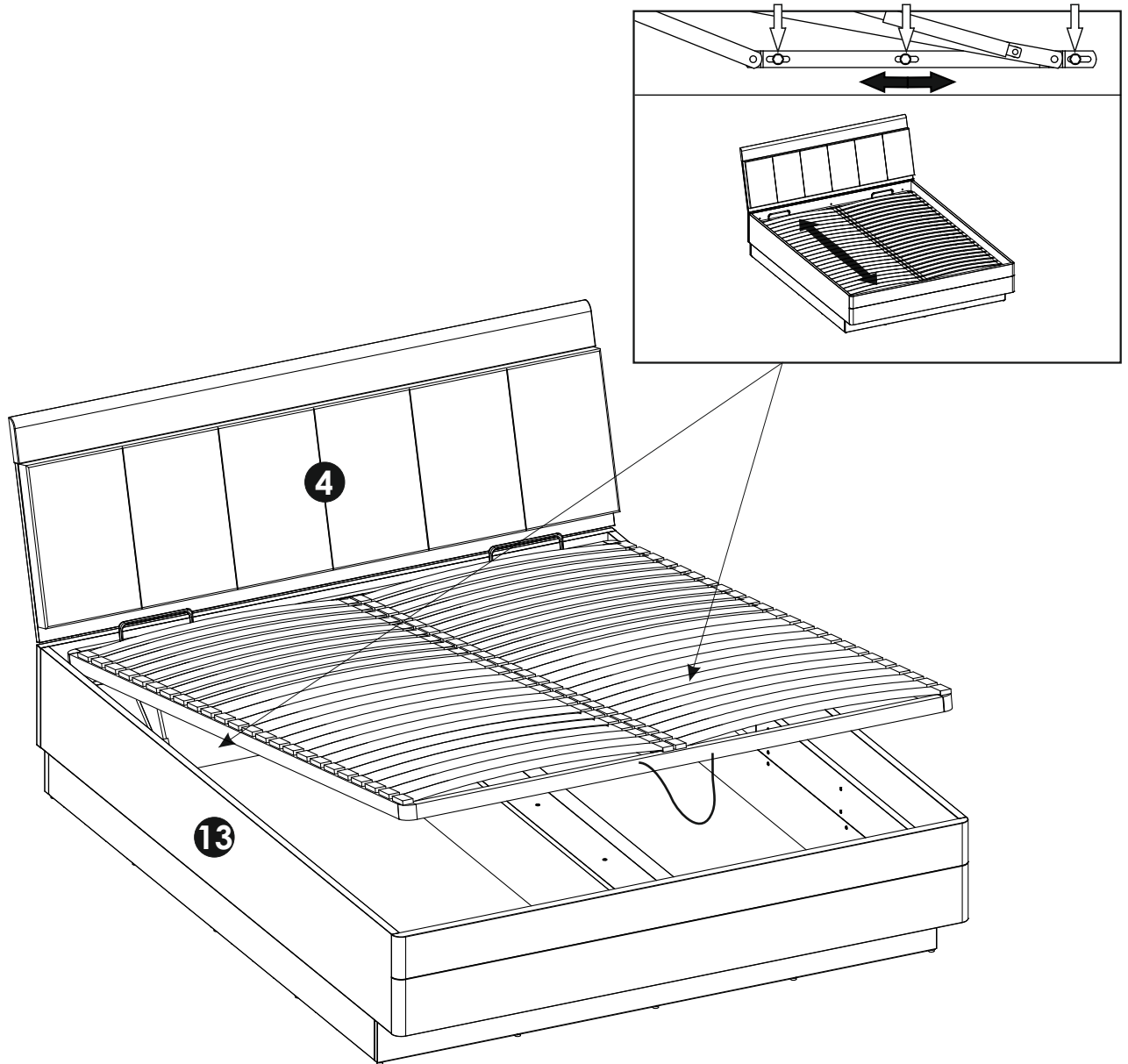


49 ▶



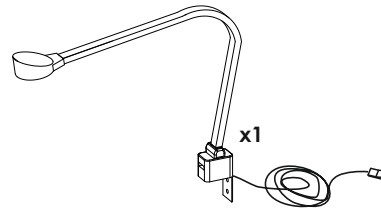
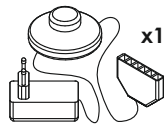
50 ▶





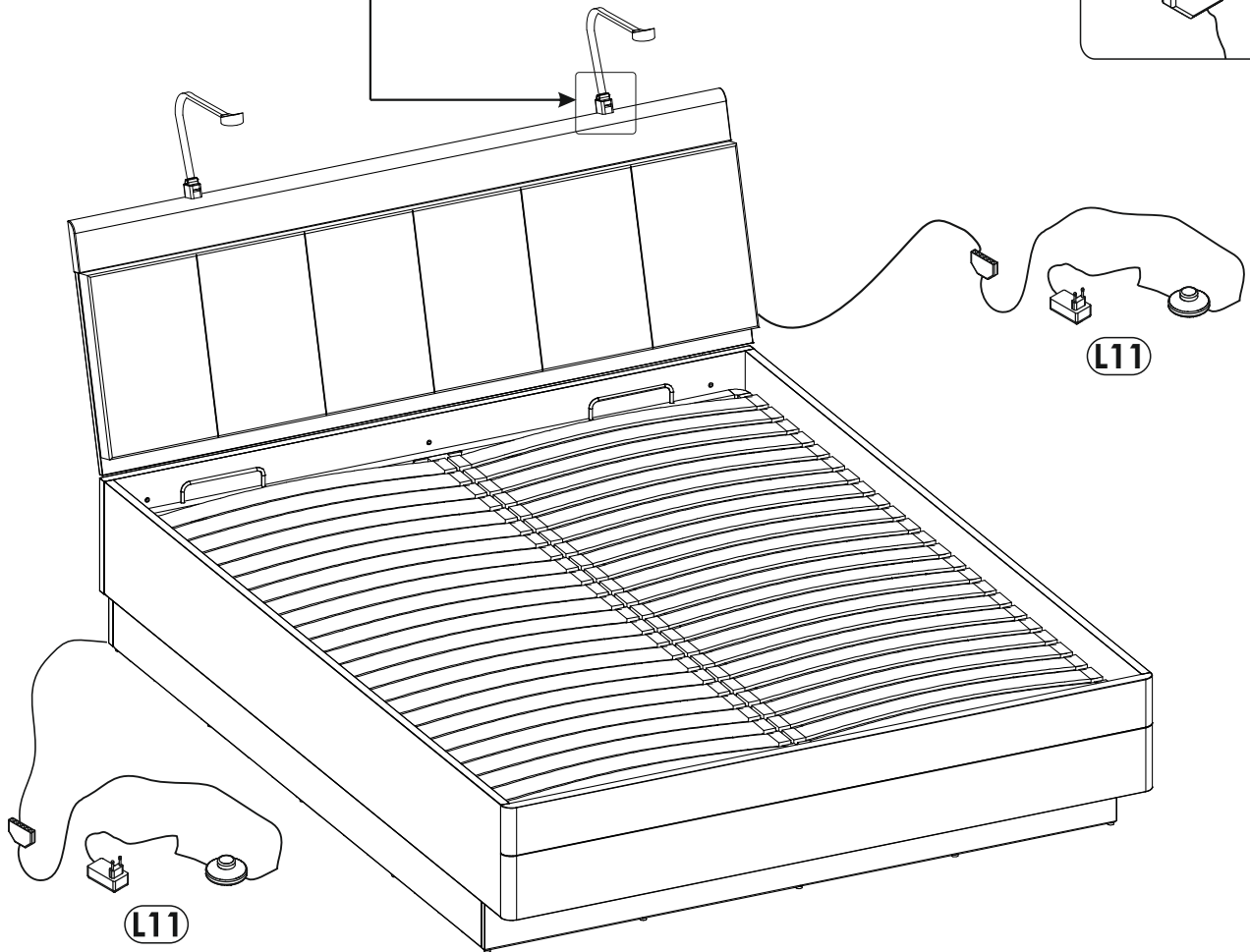
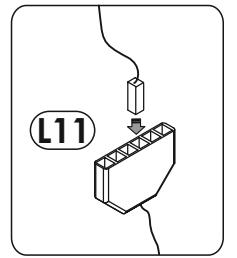
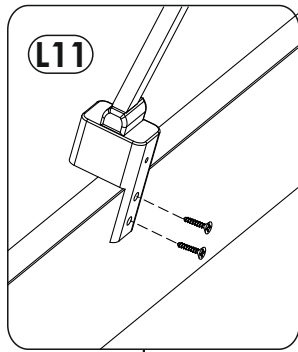
OPTION II

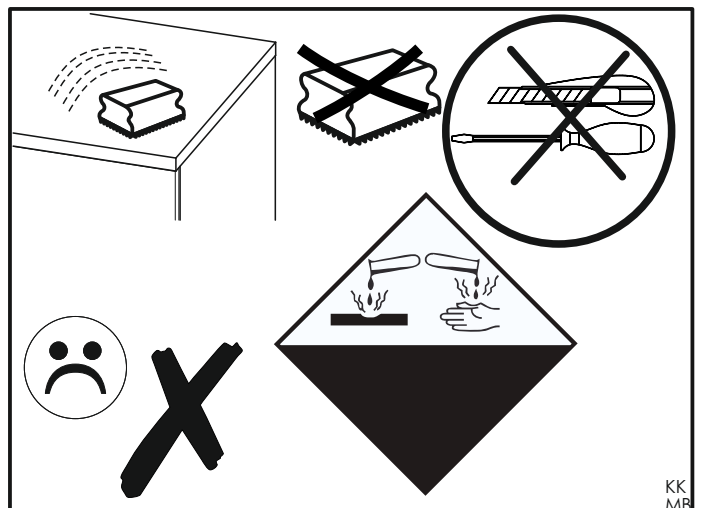
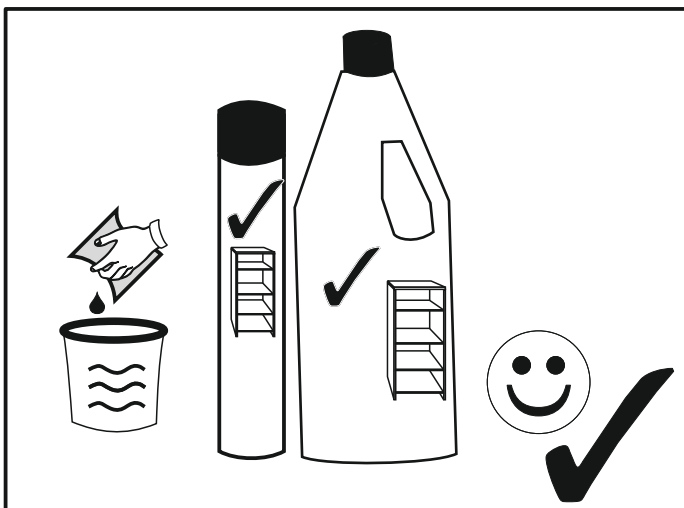
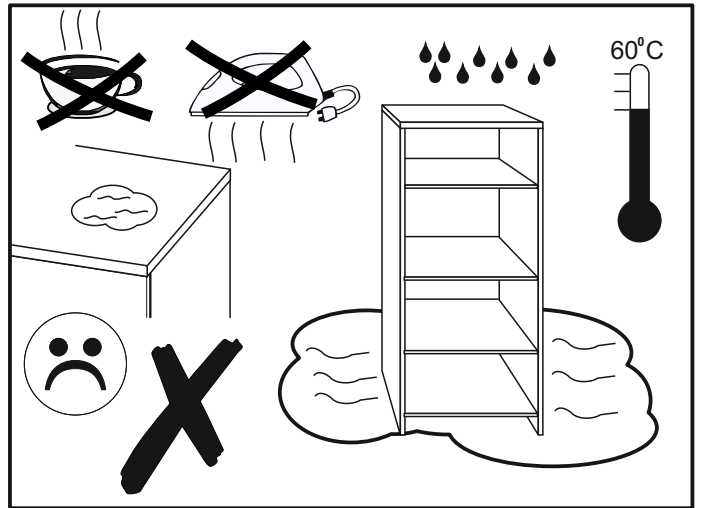
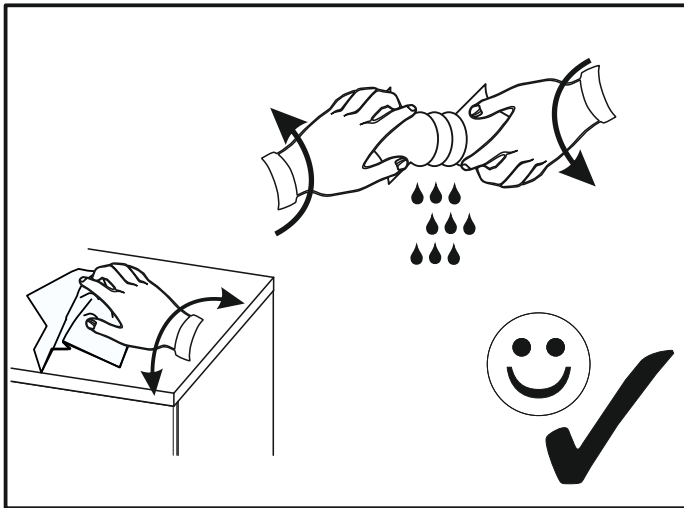
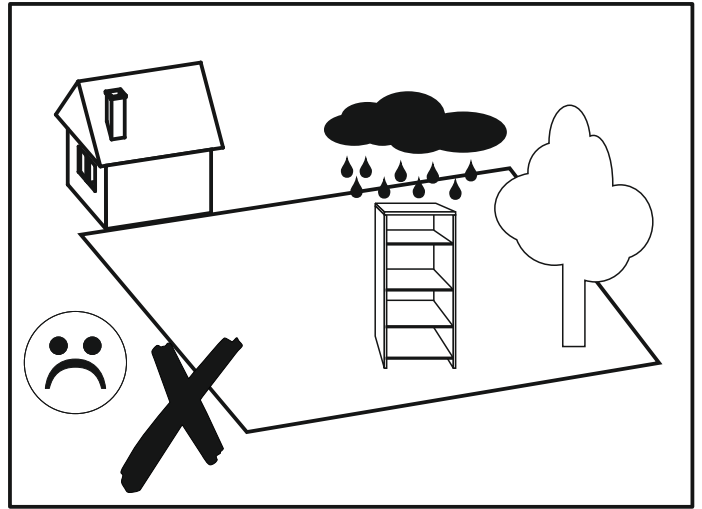
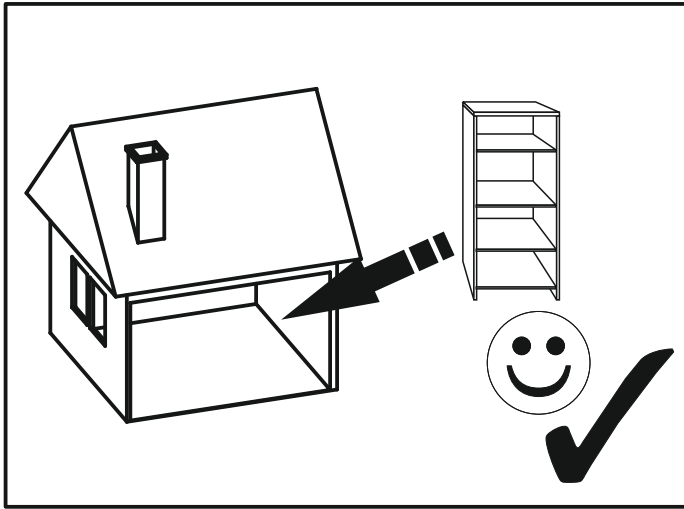
L11



x2

52 ▶





KK
MB