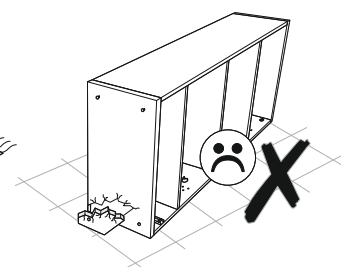
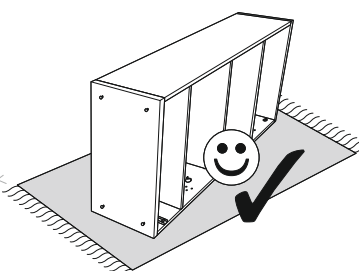
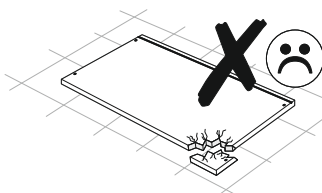
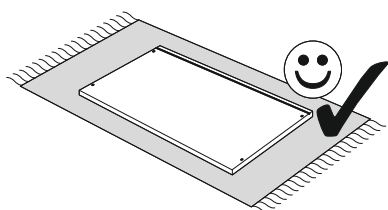
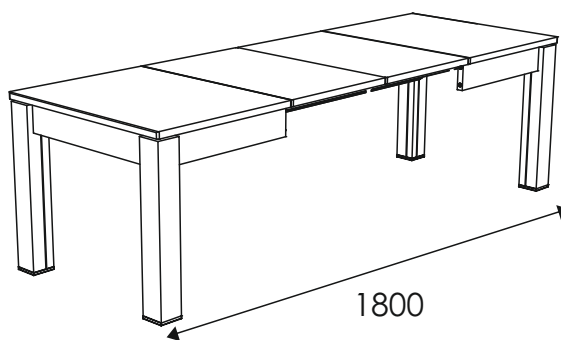
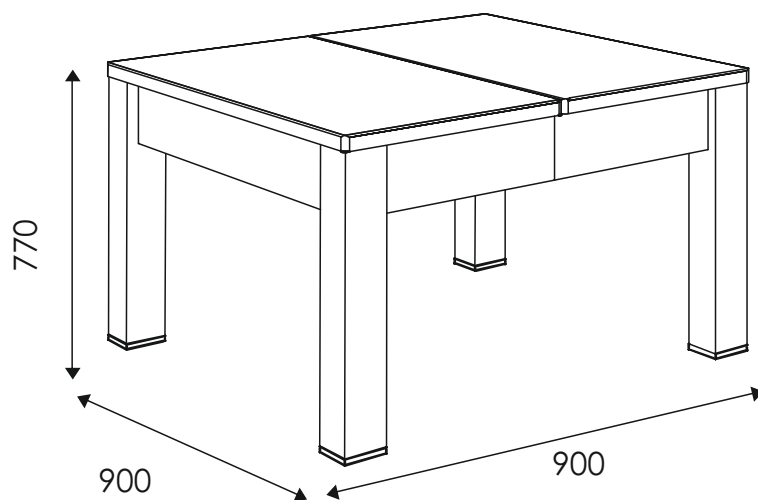
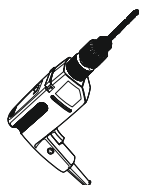
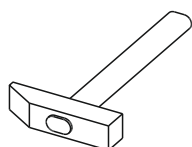
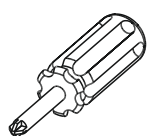
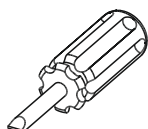
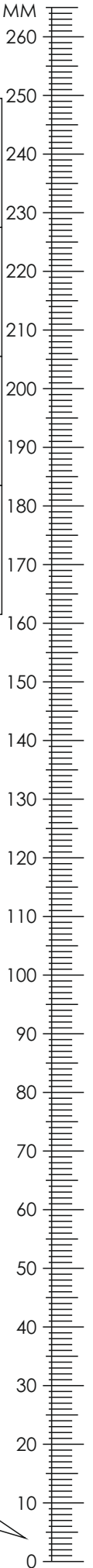





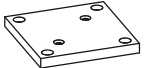
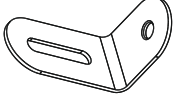
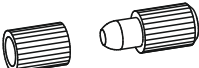
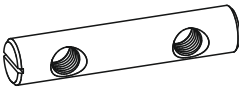
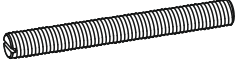


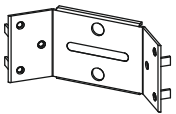
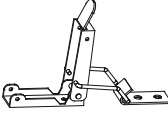
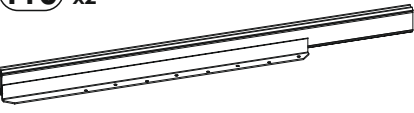
# SHETLAND - 76

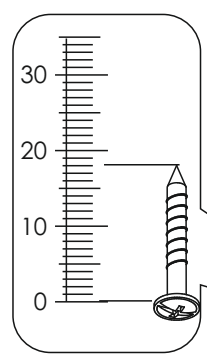




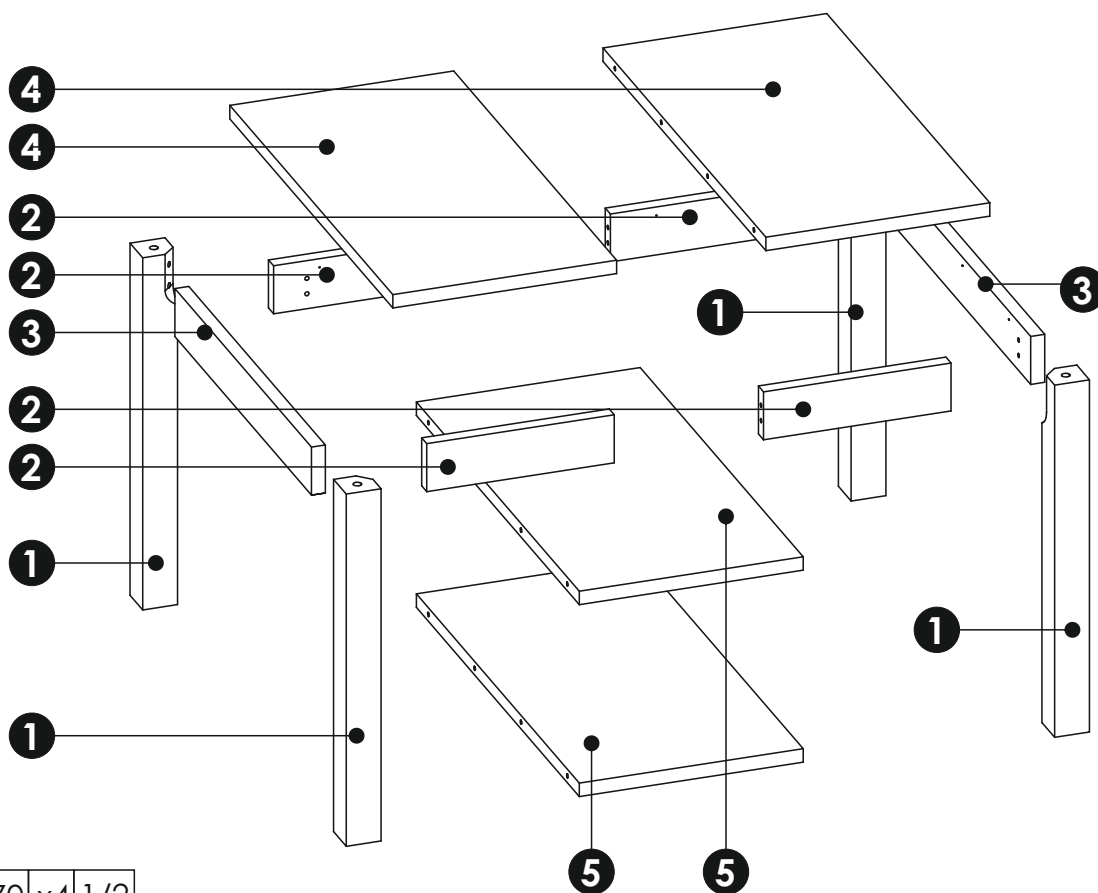
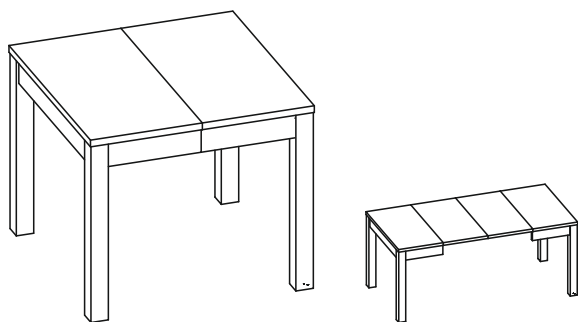
# SHETLAND - 76



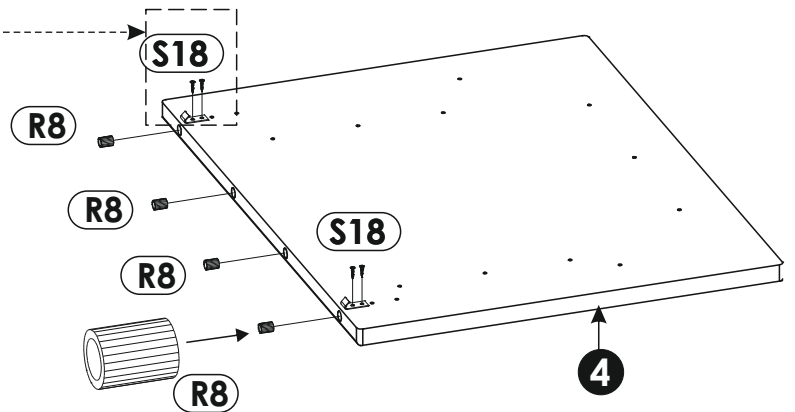
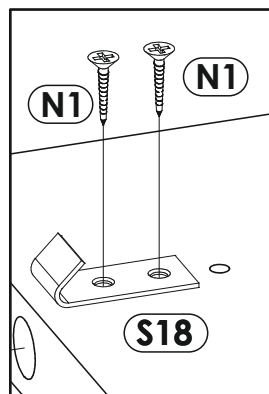
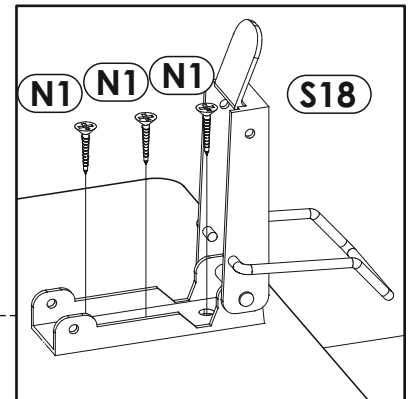
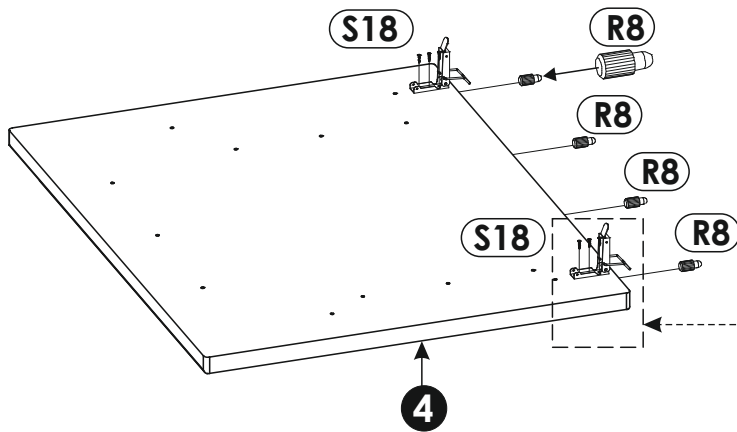
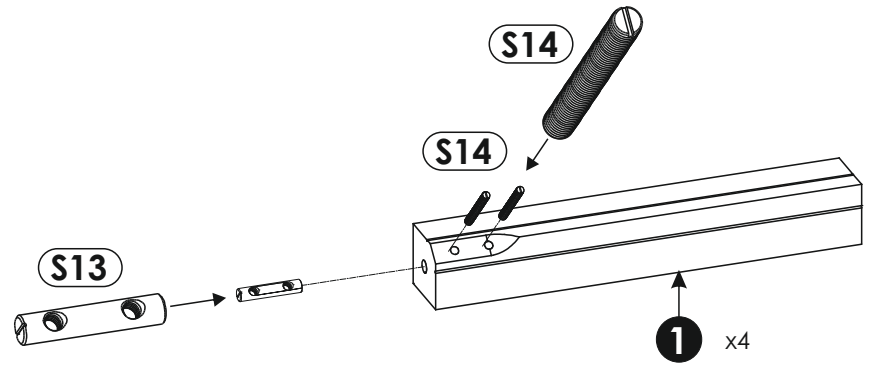
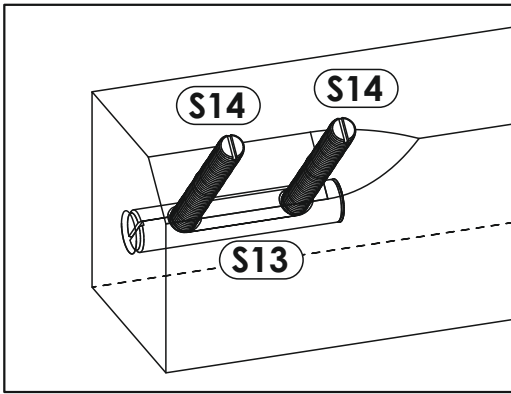
<p><b>I3</b> x32 UP 4 x 20mm</p> 	<p><b>N1</b> x30 US 3 x 16mm</p> 	<p><b>N2</b> x52 US 3.5 x 16mm</p> 
<p><b>O14</b> x4 69x69</p> 	<p><b>Q7</b> x14</p> 	<p><b>R8</b> x16</p> 
<p><b>S13</b> x4 16x80</p> 	<p><b>S14</b> x8 M10x90</p> 	<p><b>S15</b> x8</p> 
<p><b>S16</b> x8 M10</p> 	<p><b>S17</b> x4</p> 	<p><b>S18</b> x6</p> 
<p><b>T10</b> x2</p> 		



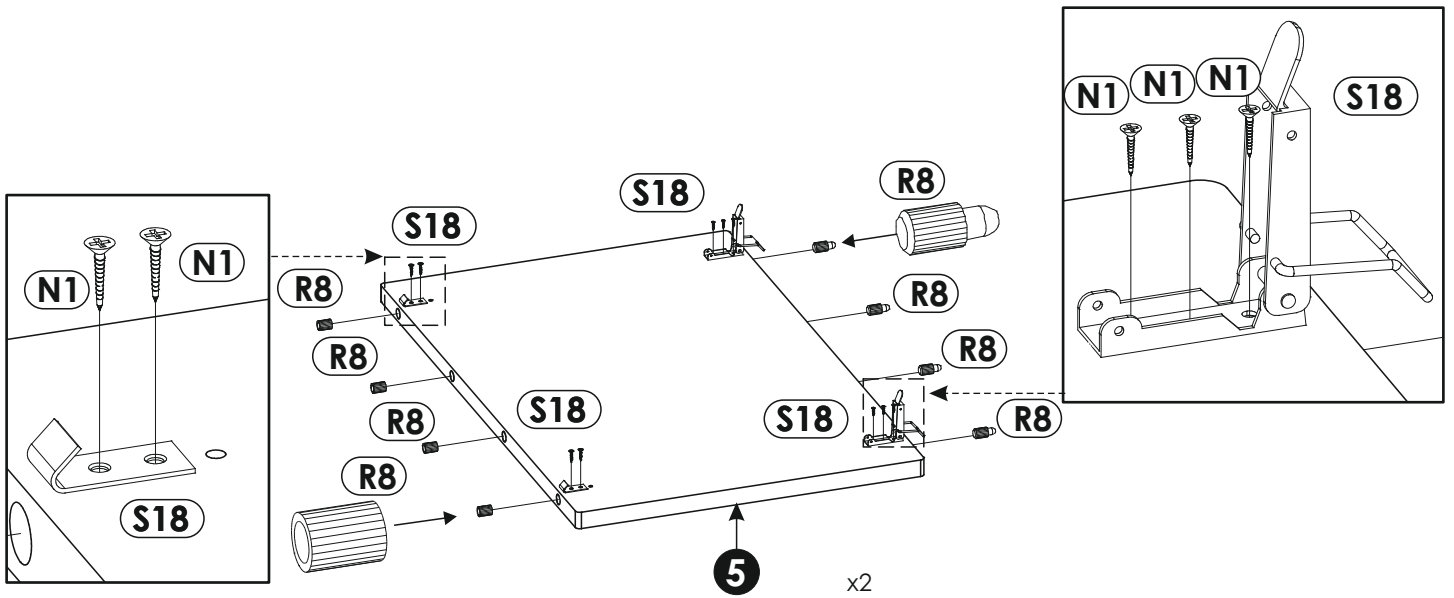
# SHETLAND - 76



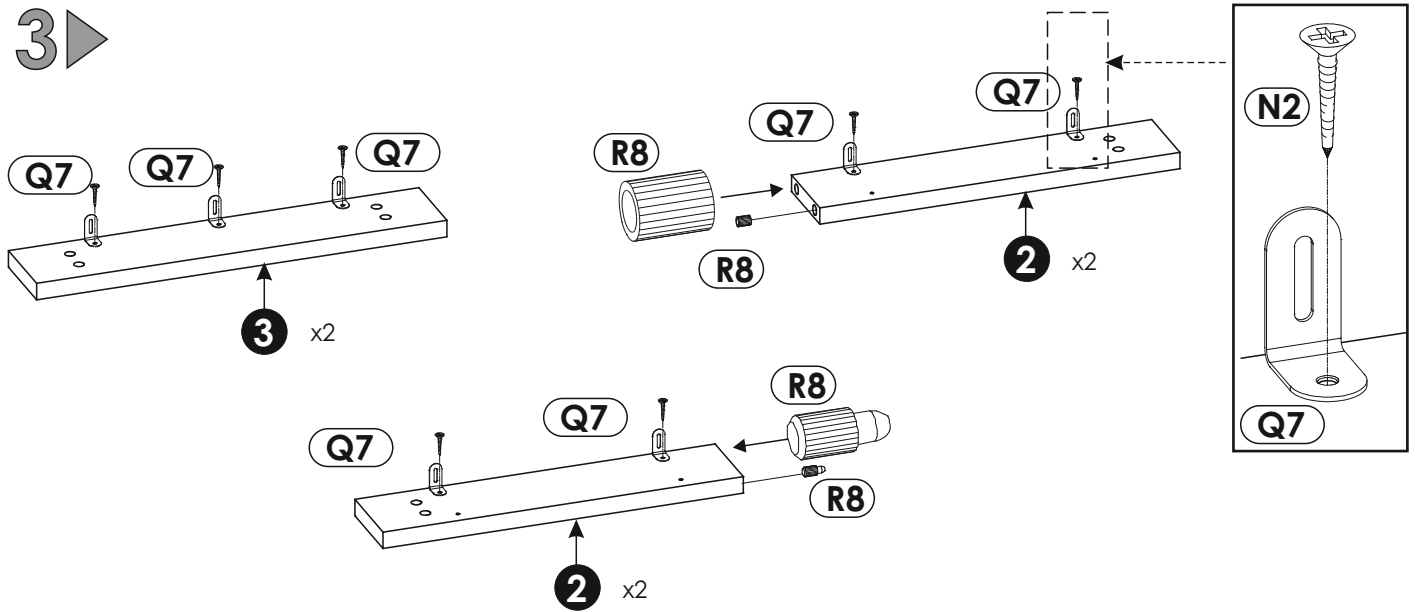
<b>1</b>	734	70	70	x4	1/2
<b>2</b>	377	100	28	x4	2/2
<b>3</b>	754	100	28	x2	2/2
<b>4</b>	900	450	28	x2	2/2
<b>5</b>	900	450	28	x2	2/2



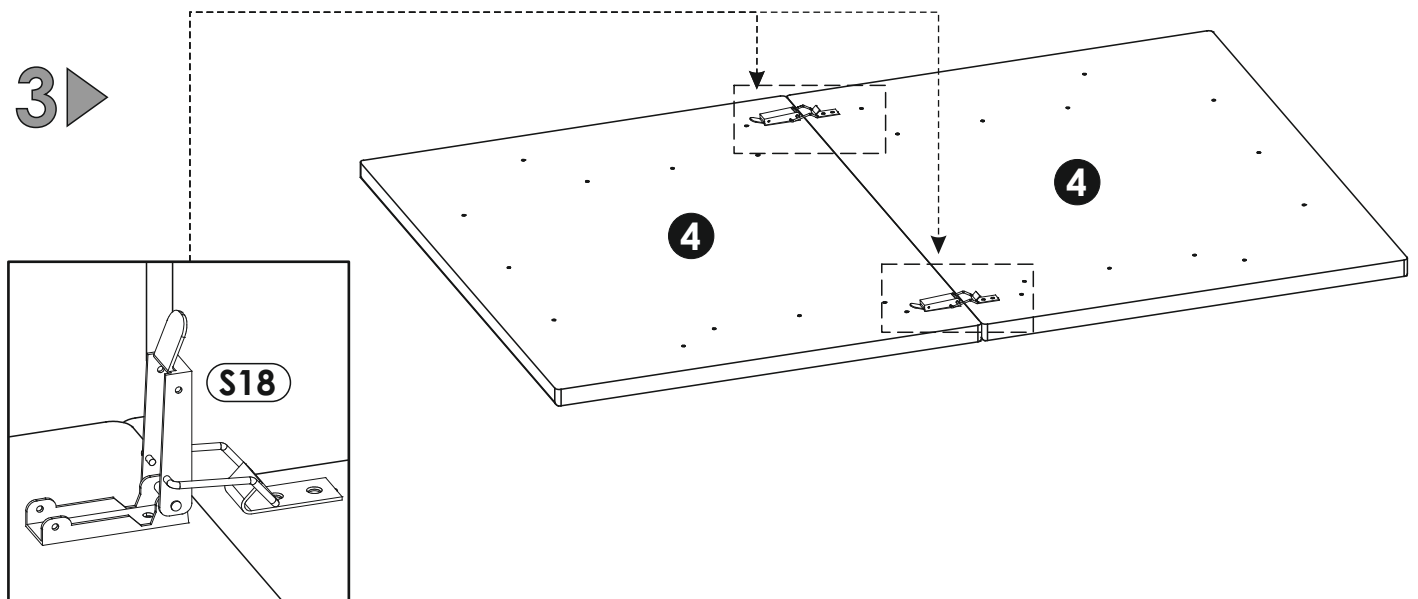
2▶



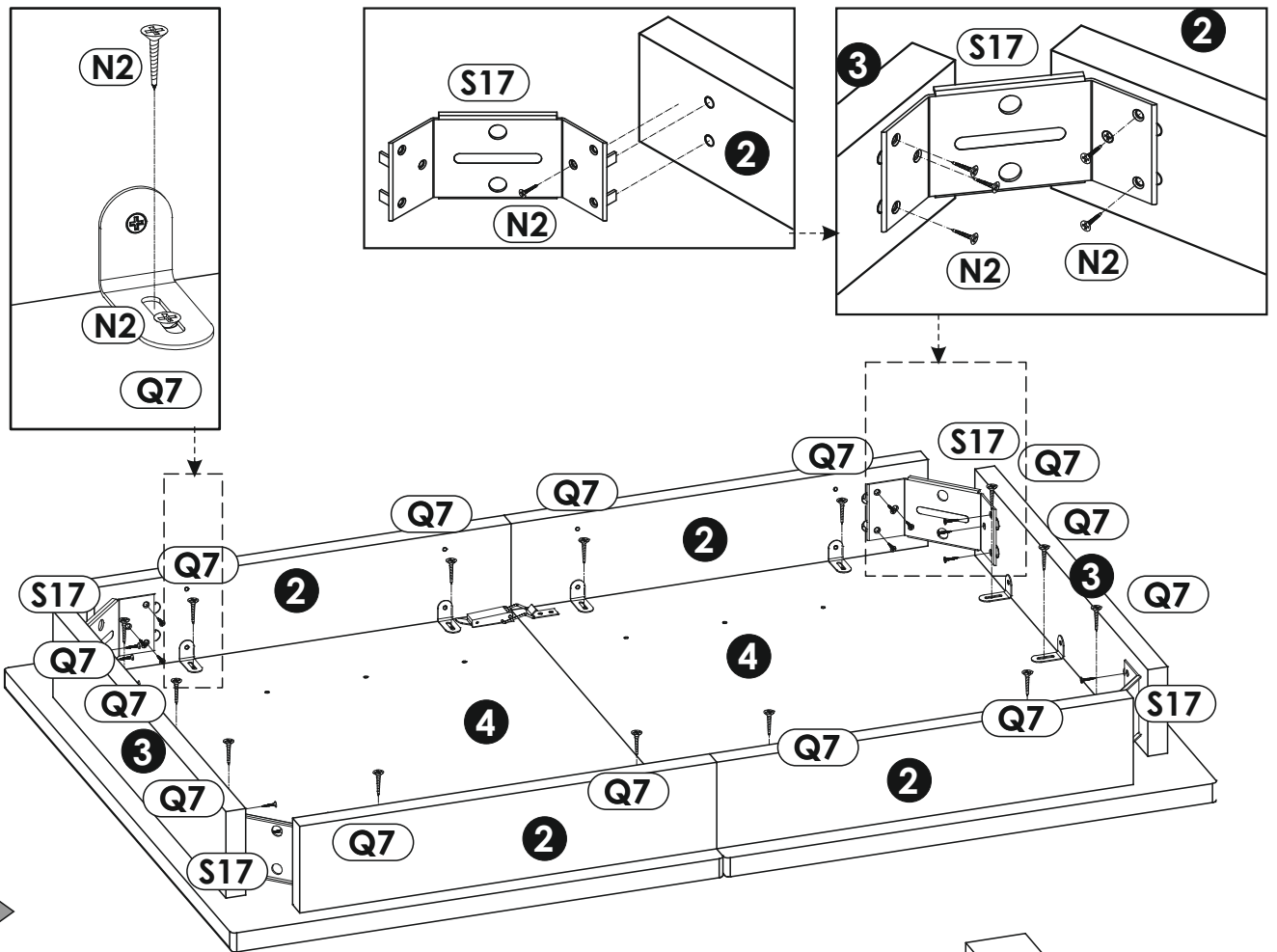
3▶



3▶



4 ▶



5 ▶

