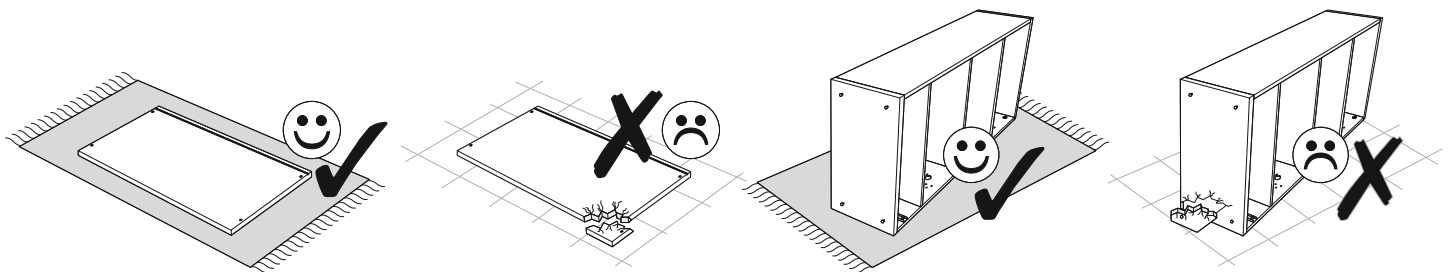
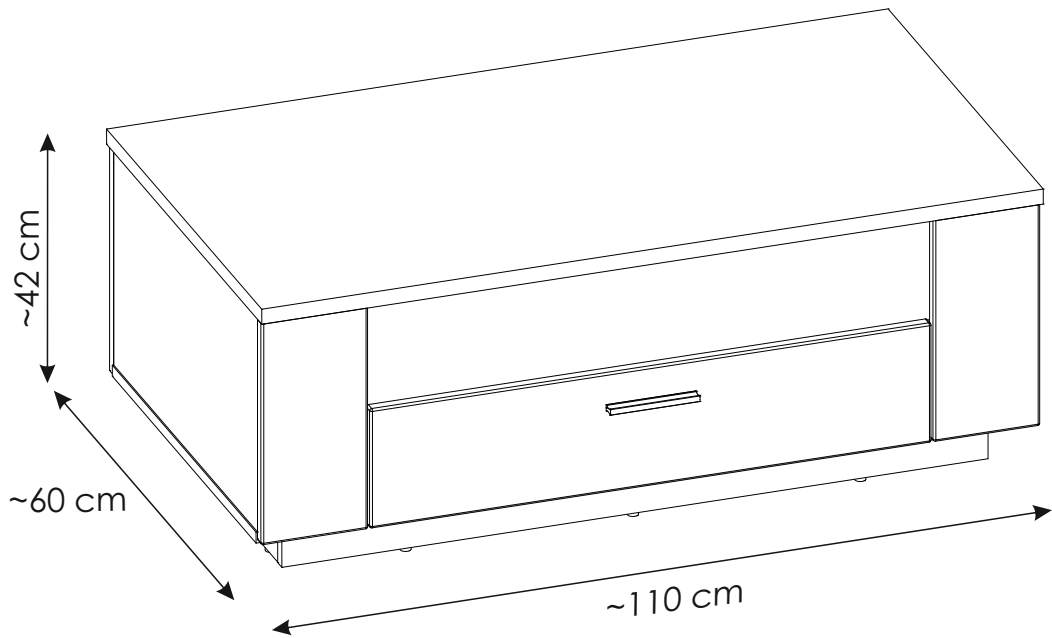
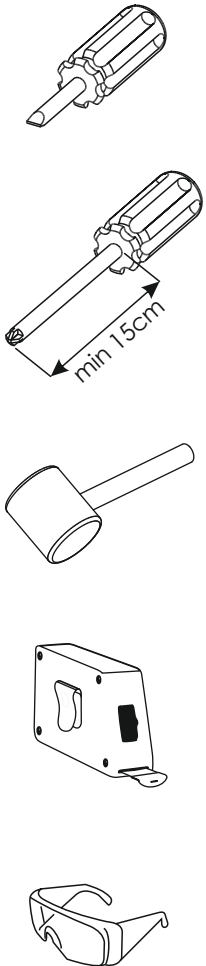
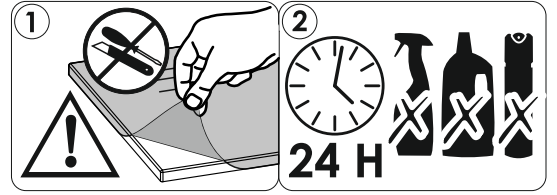
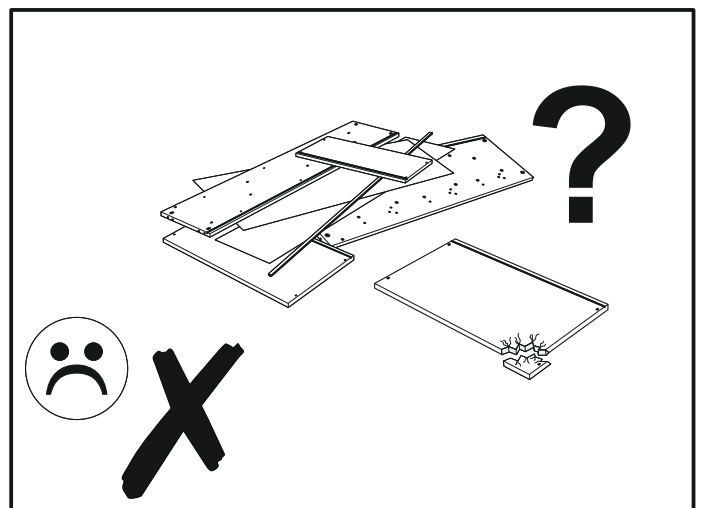
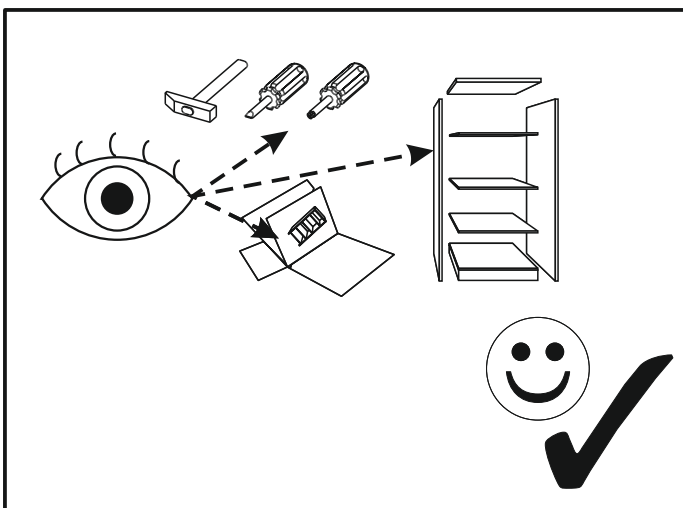
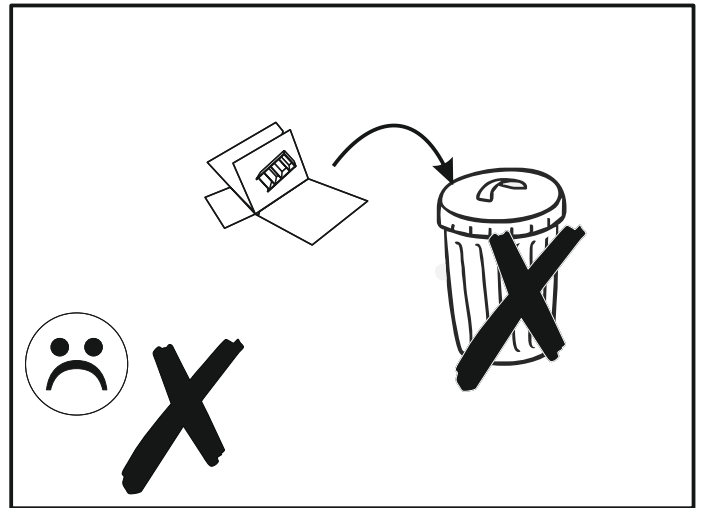
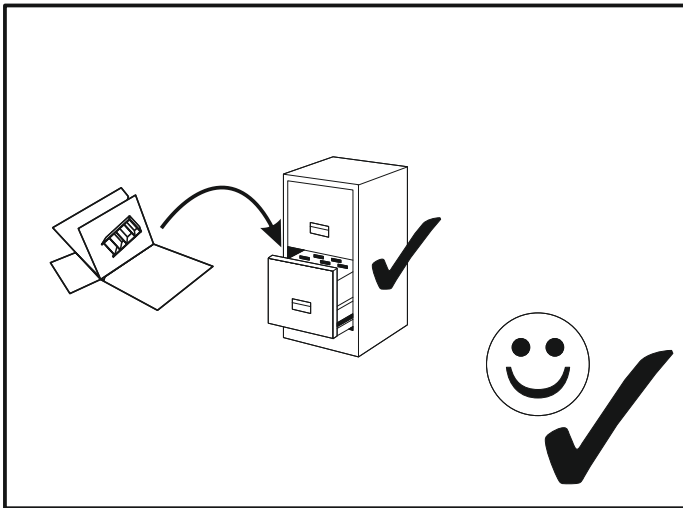
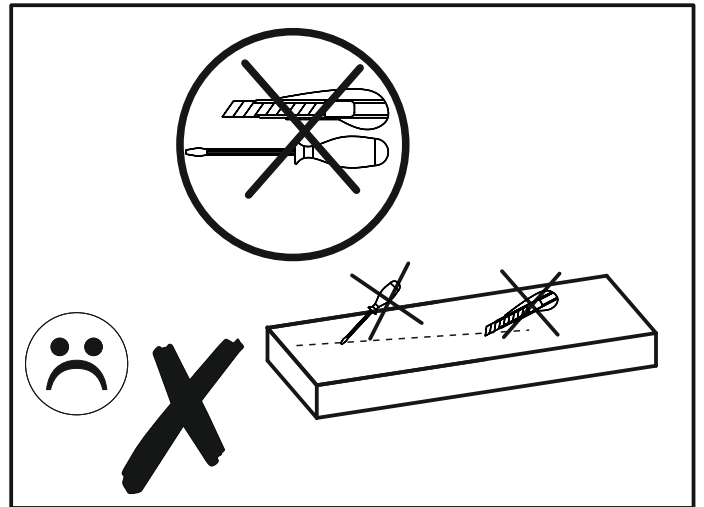
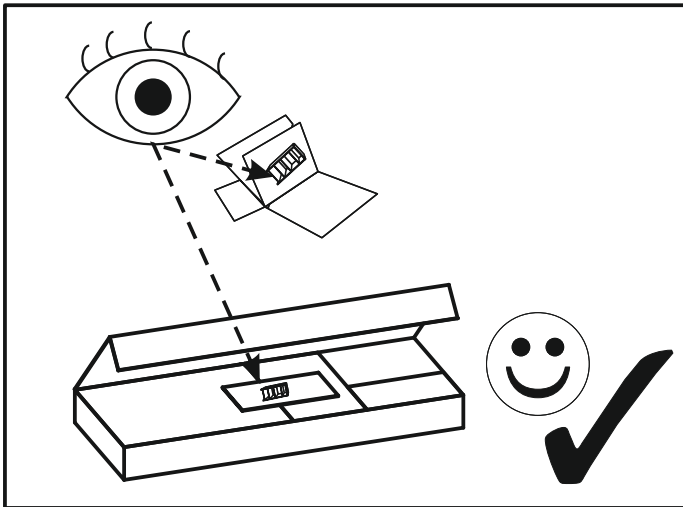


RAVT01



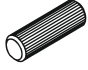
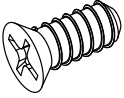


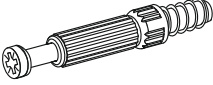

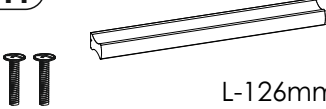
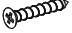


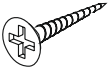
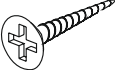
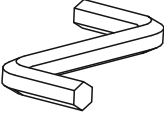
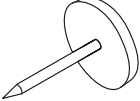
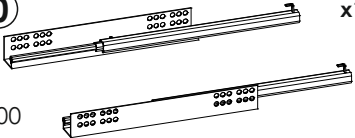
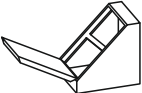
60 MIN

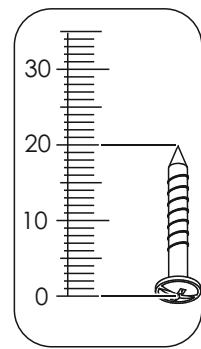
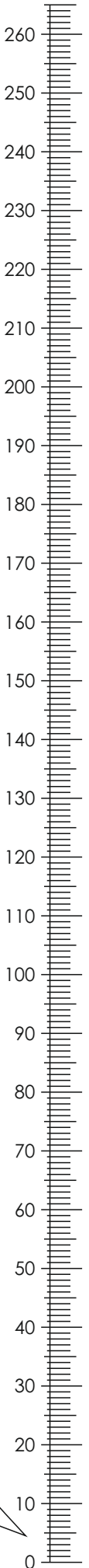




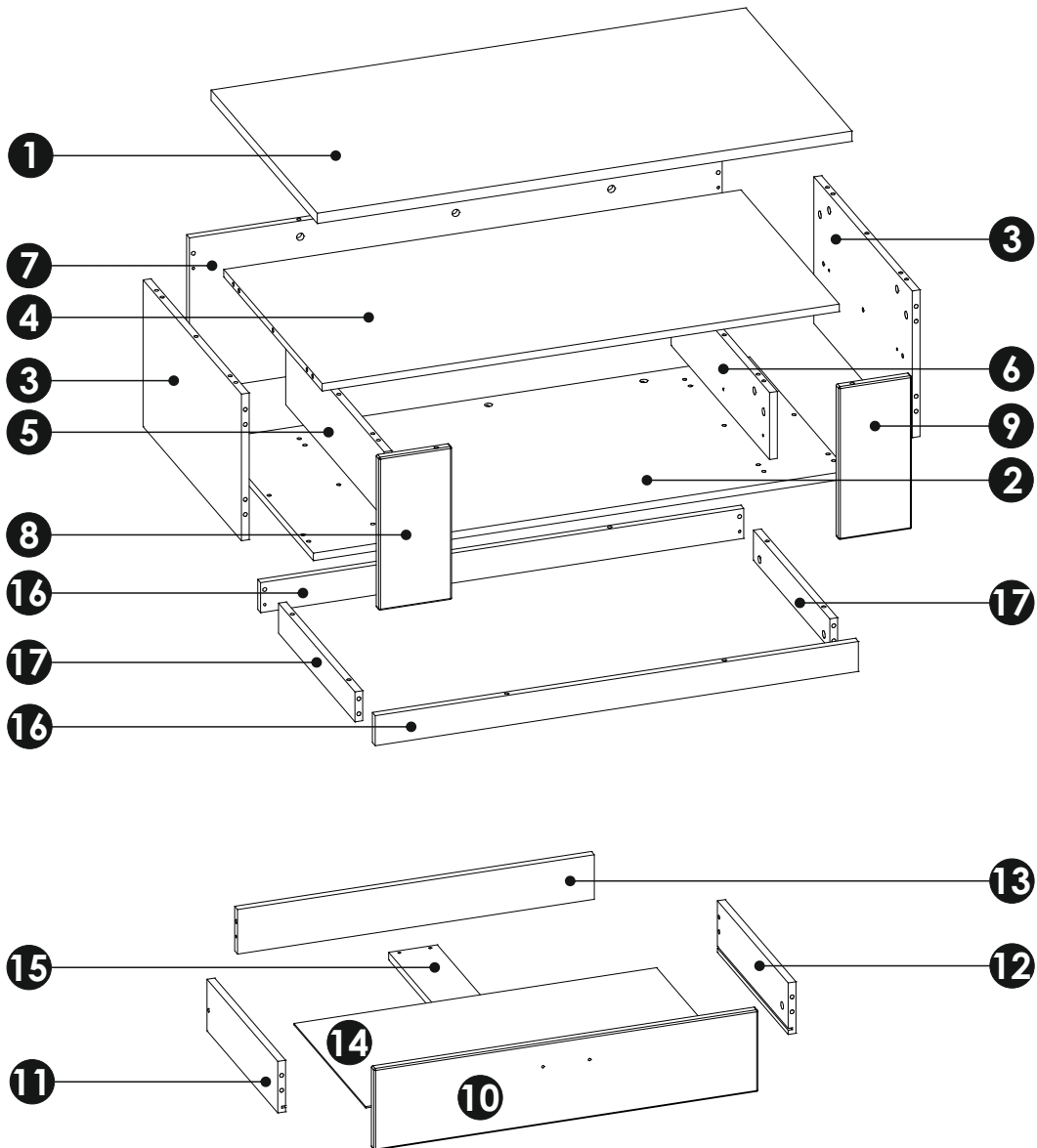
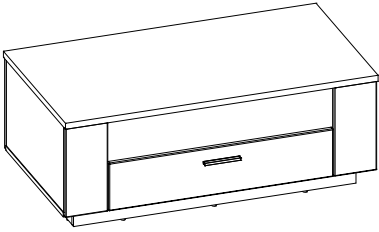
RAVT01

MM

A1 8 x 35 mm x68 	C5 6.3 x 13 mm x4 	E0 x15 
E1 15 x 12,5 mm x38 	F1 6 x 34 mm x38 	G1 7 x 50 mm x10 
H1 x1  L-126mm	J1 3 x 20 mm x2 	J10 3,5 x 40 mm x2 
K3 M4 x 22mm x2 	N1 3 X 16 mm x10 	N2 3,5 X 16 mm x16 
M x1 	O2 x10 	T10 x1  L-400
W x8 		



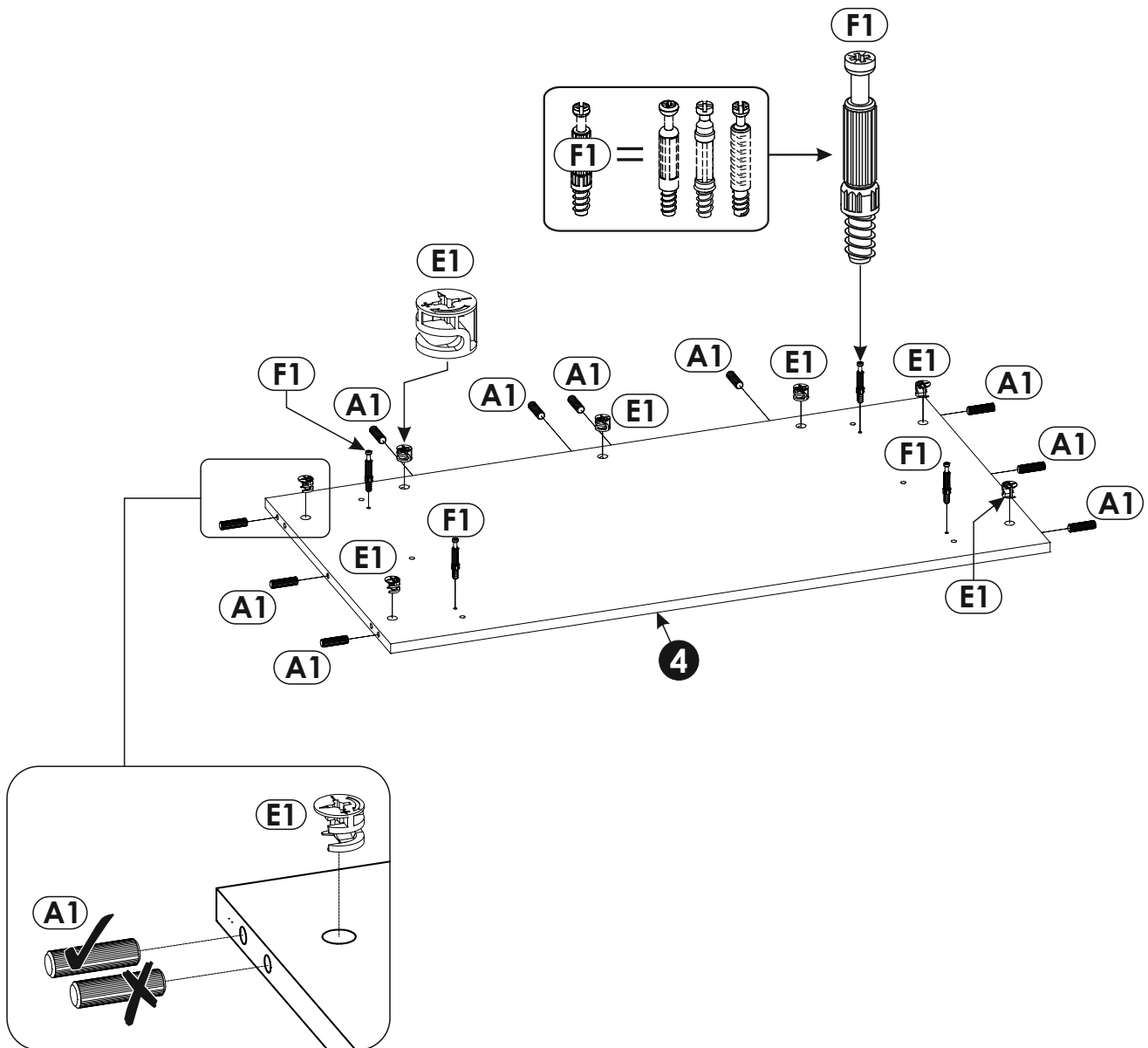
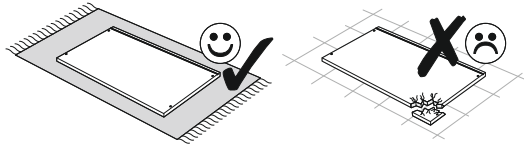
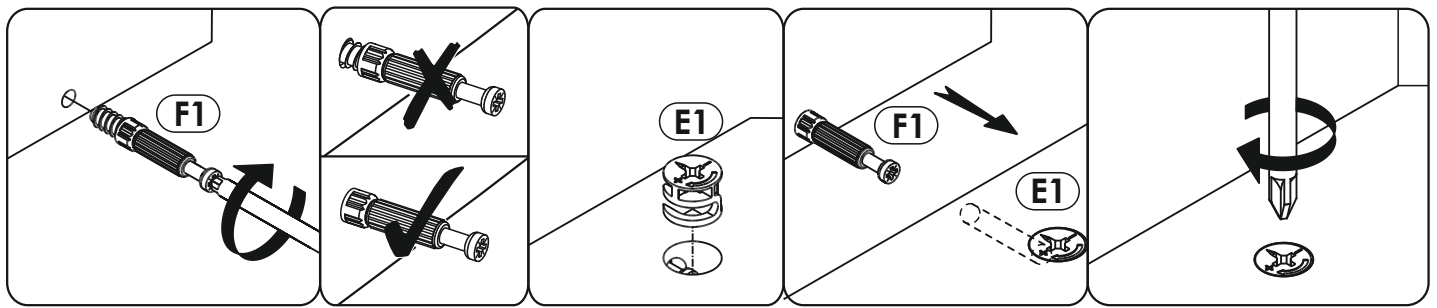
RAVT01



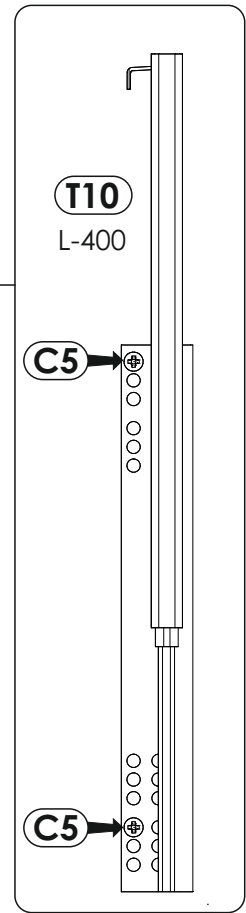
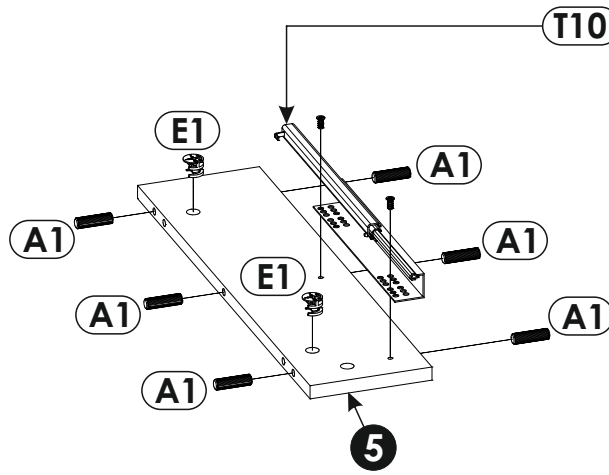
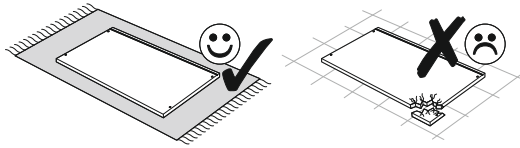
1	1100	600	22	x1	2/2
2	1100	556	16	x1	2/2
3	313	556	16	x2	1/2
4	1064	556	16	x1	2/2
5	556	143	16	x1	1/2
6	556	143	16	x1	1/2

7	1096	328	16	x1	2/2
8	326	150	16	x1	1/2
9	326	150	16	x1	1/2
10	790	174	16	x1	2/2
11	400	110	16	x1	1/2
12	400	110	16	x1	1/2

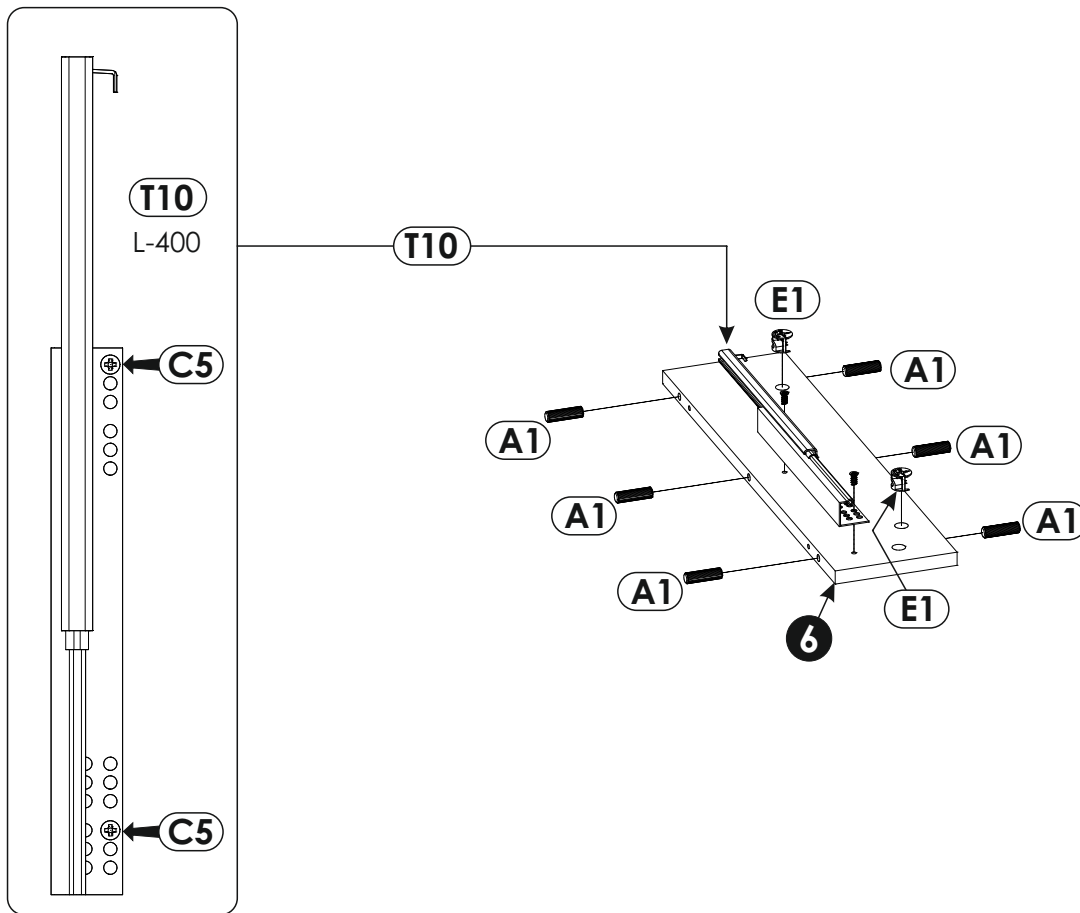
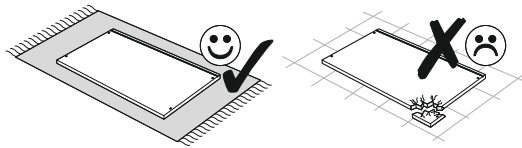
13	734	95	16	x1	1/2
14	746	405	3	x1	2/2
15	400	100	16	x1	1/2
16	994	64	16	x2	2/2
17	432	64	16	x2	1/2



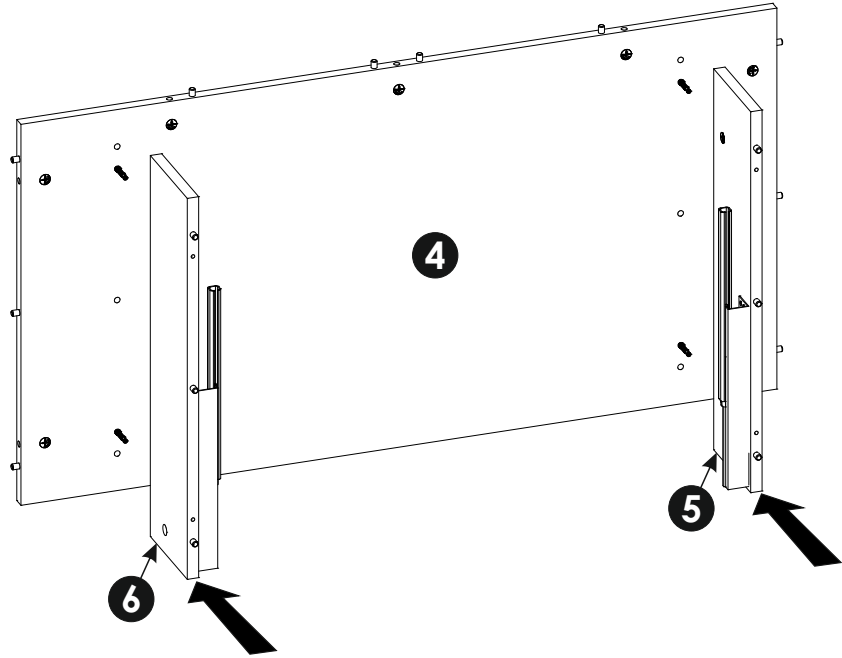
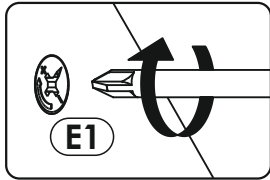
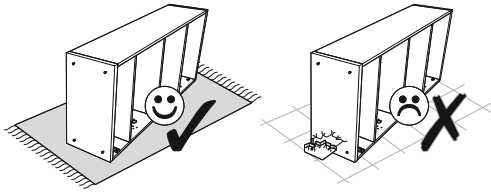
2 ▶



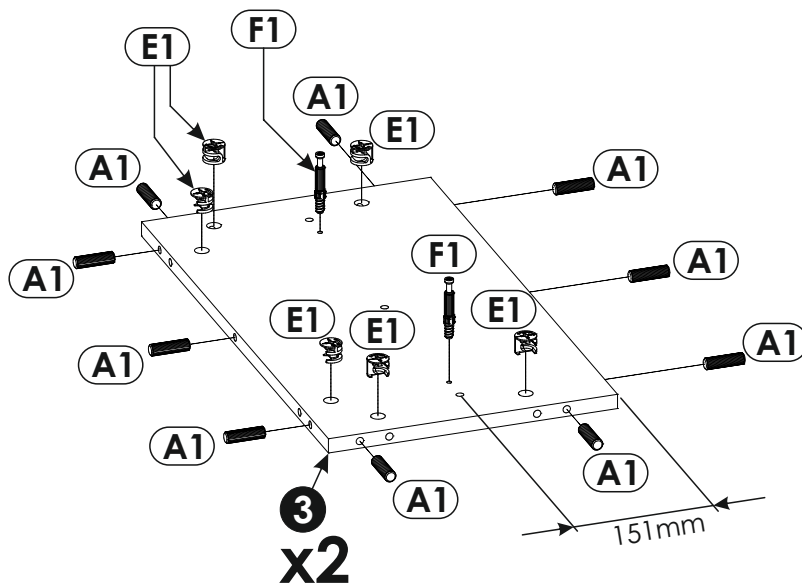
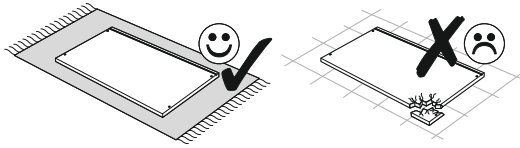
3 ▶



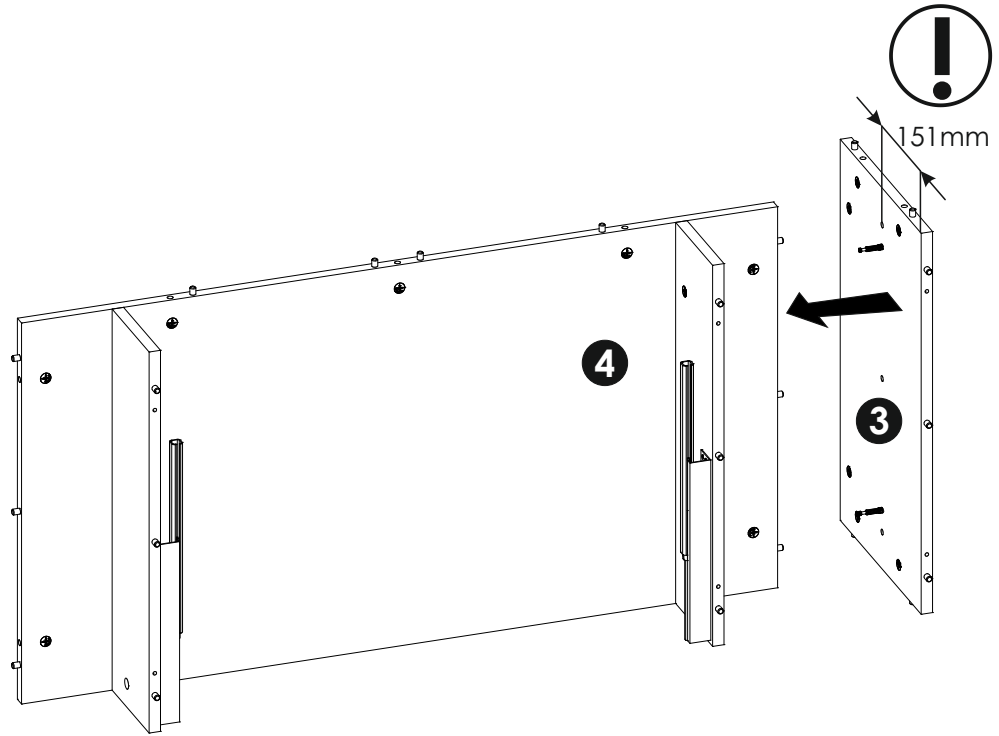
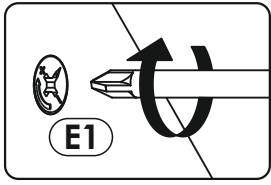
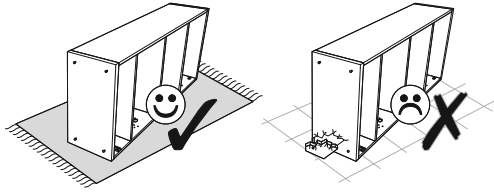
4 ▶



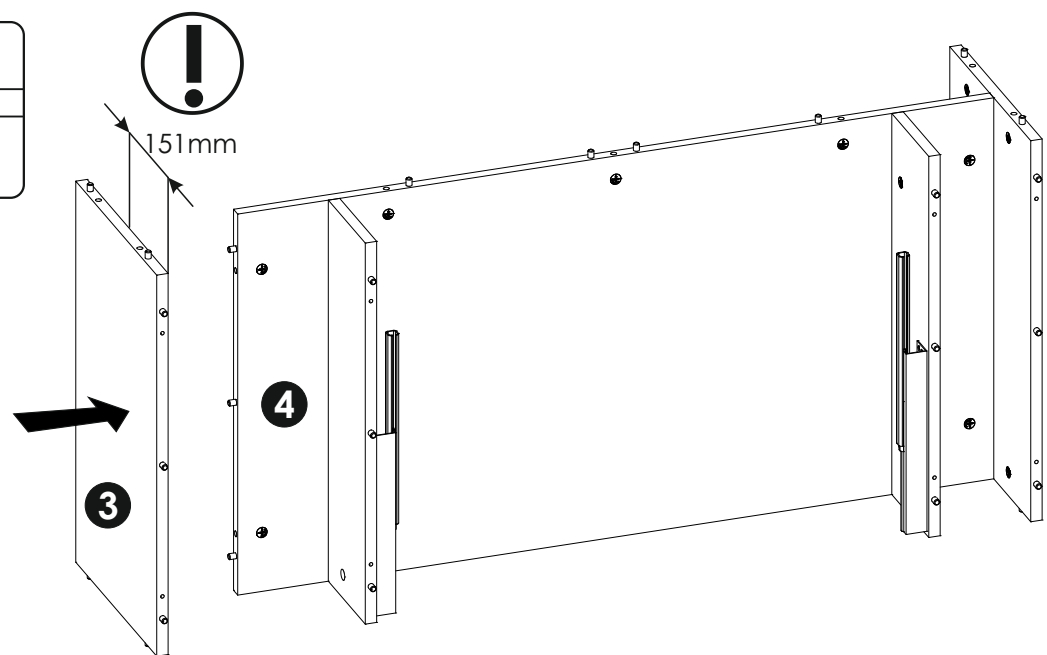
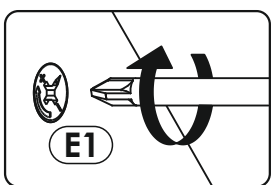
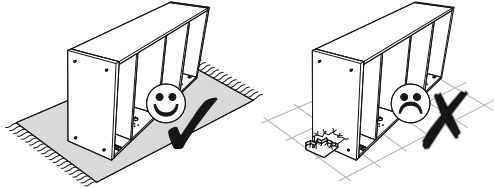
5 ▶

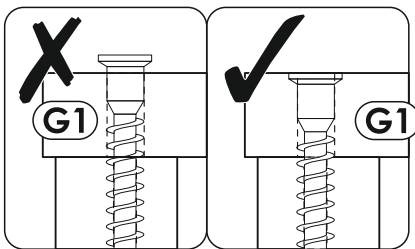
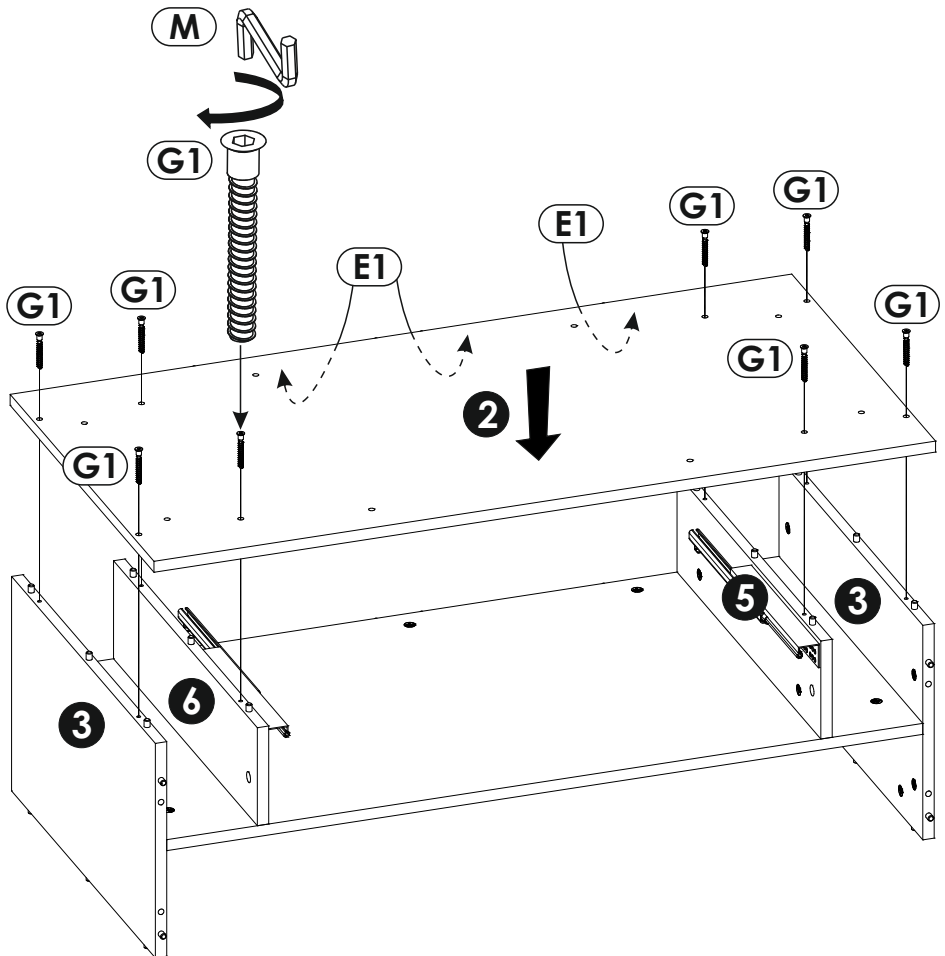
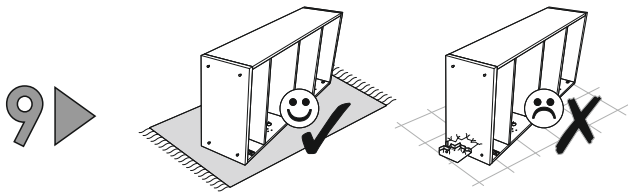
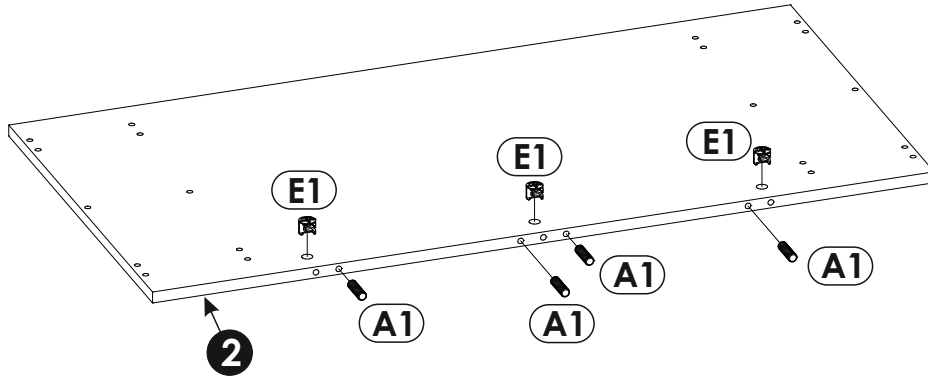
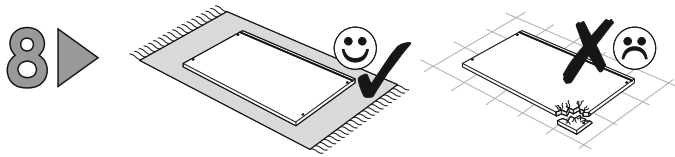


6 ▶

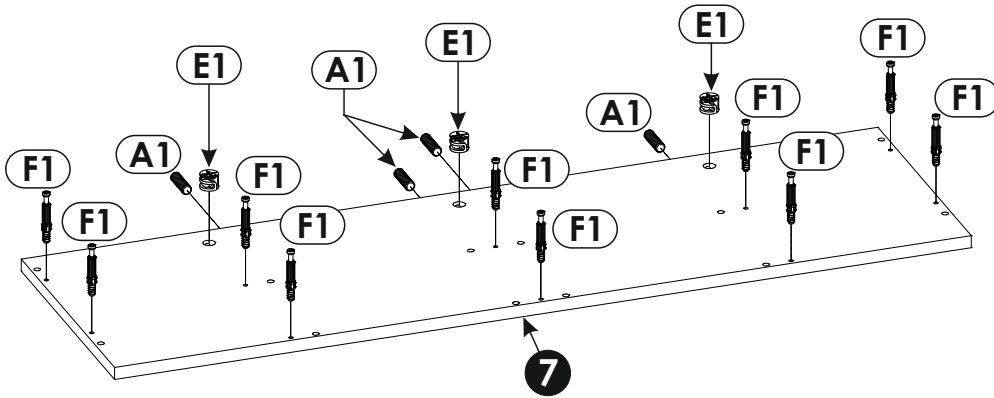
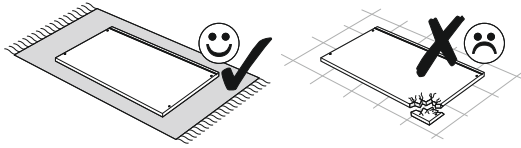


7 ▶

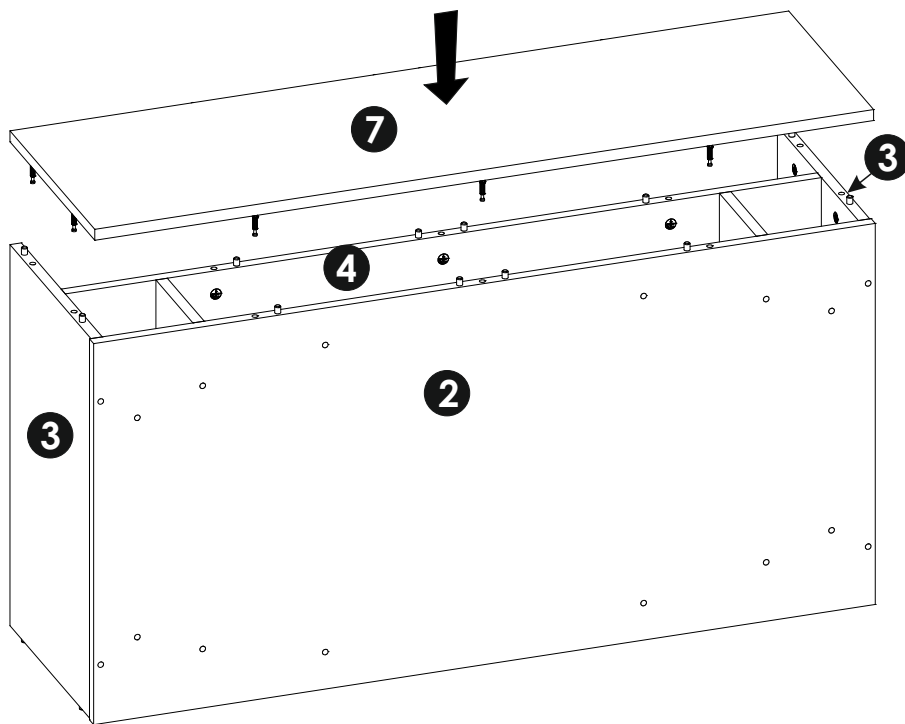
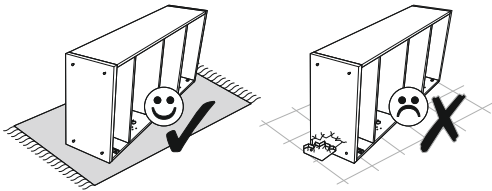




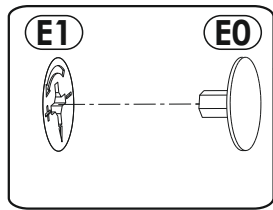
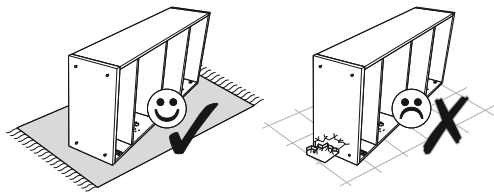
10 ▶



11 ▶



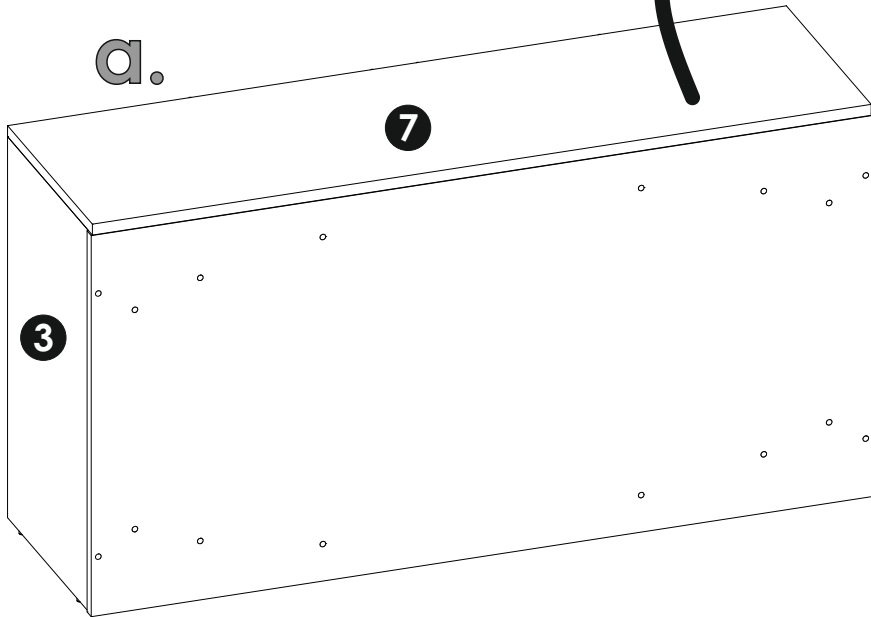
12▶



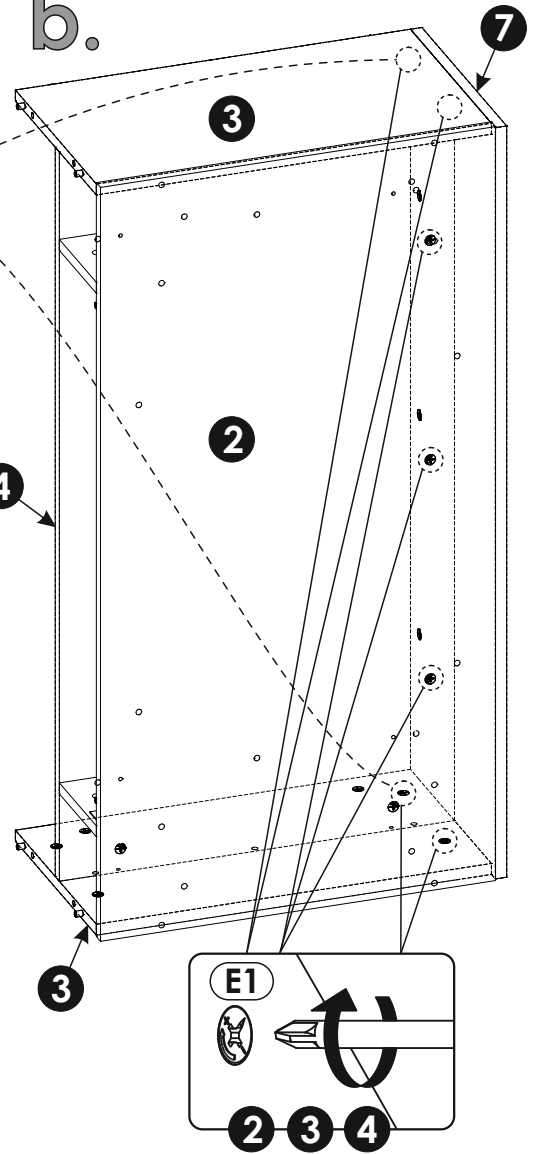
90°



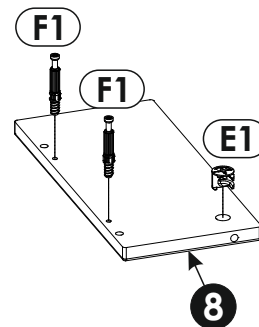
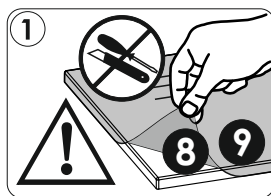
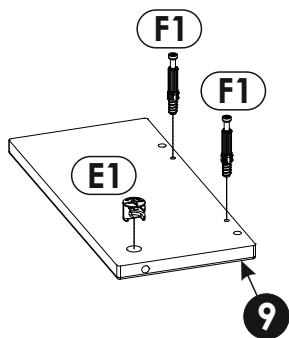
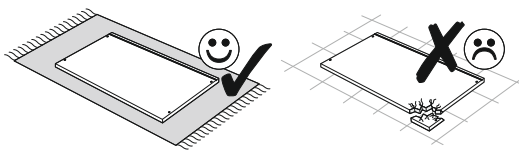
a.



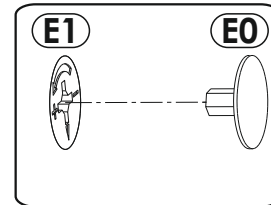
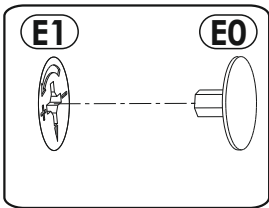
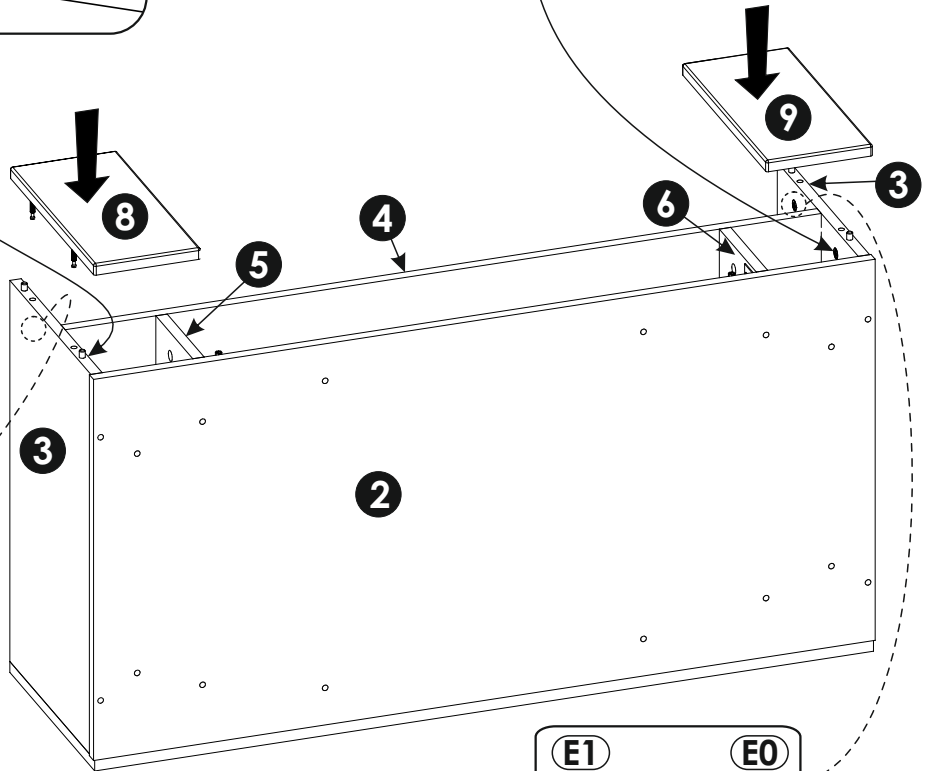
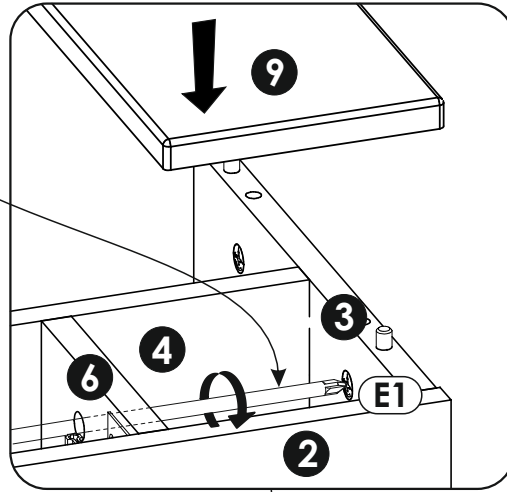
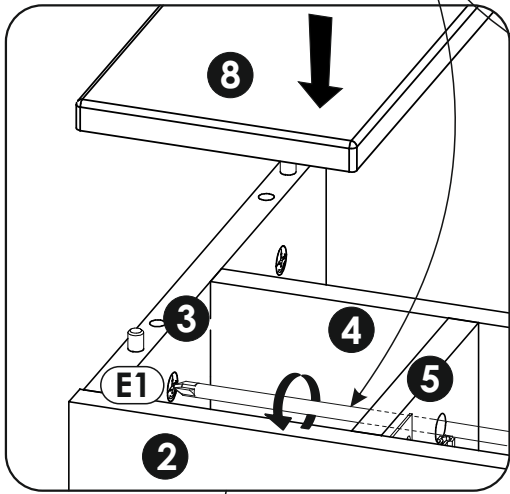
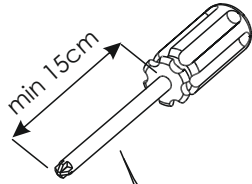
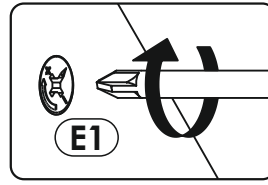
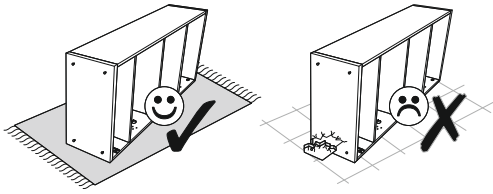
b.



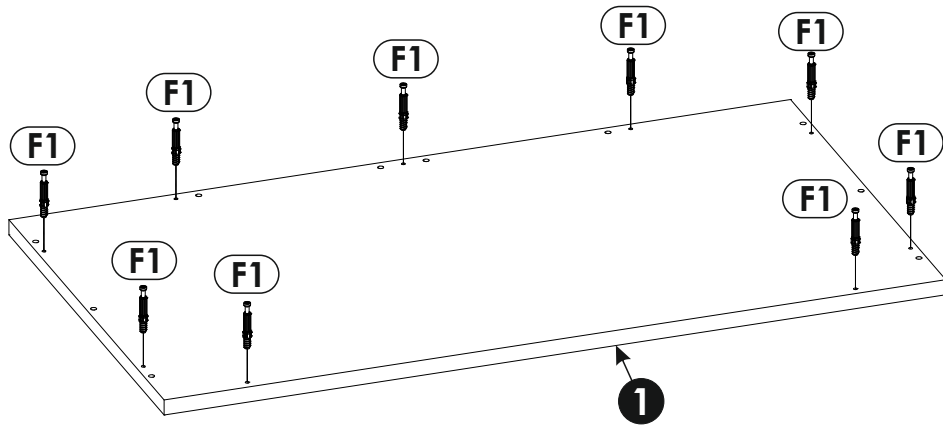
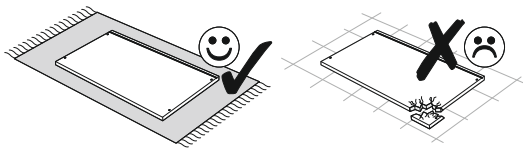
13▶



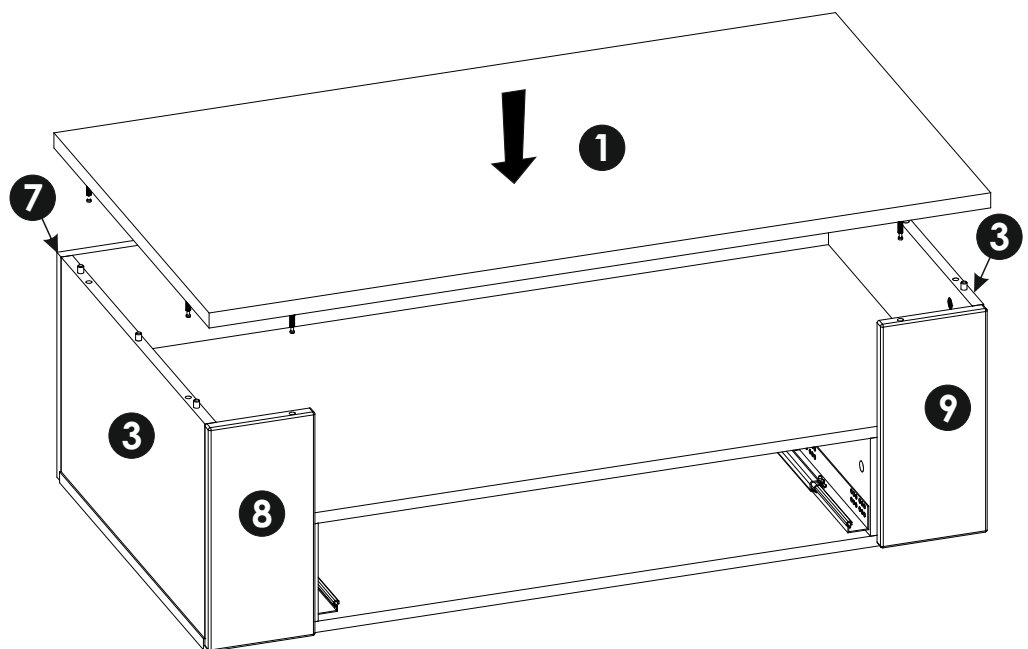
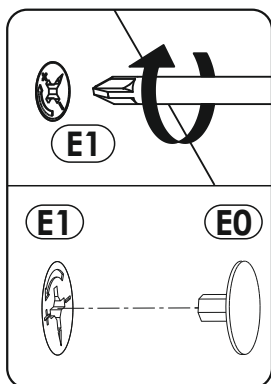
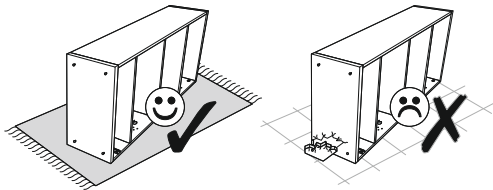
14 ▶



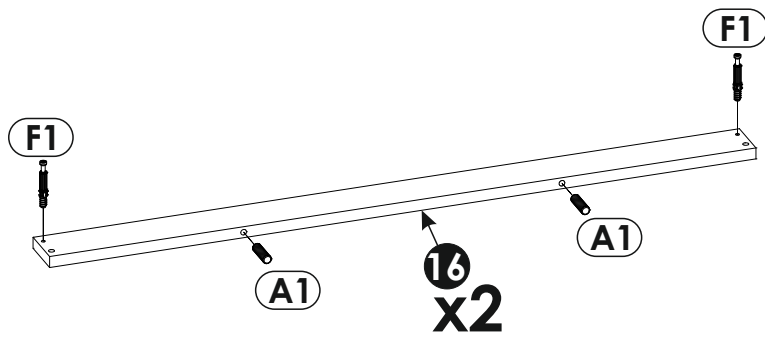
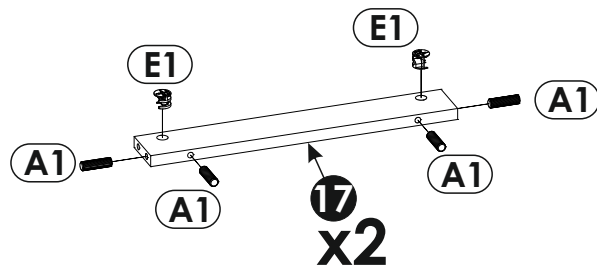
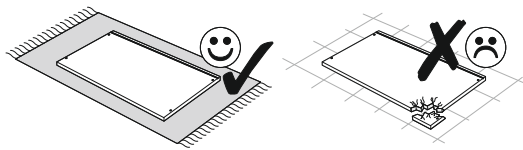
15 ▶



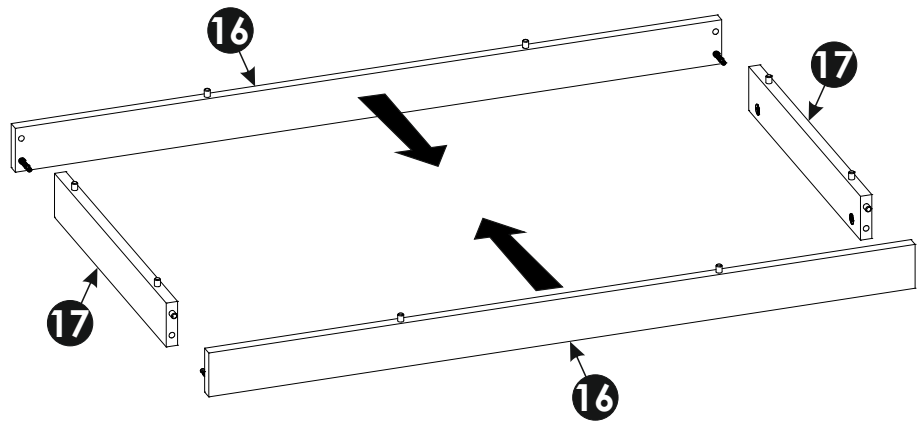
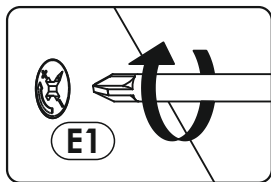
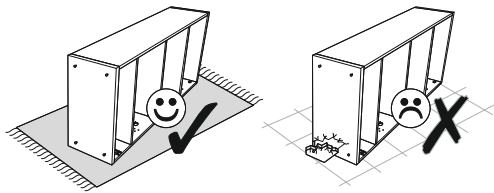
16 ▶



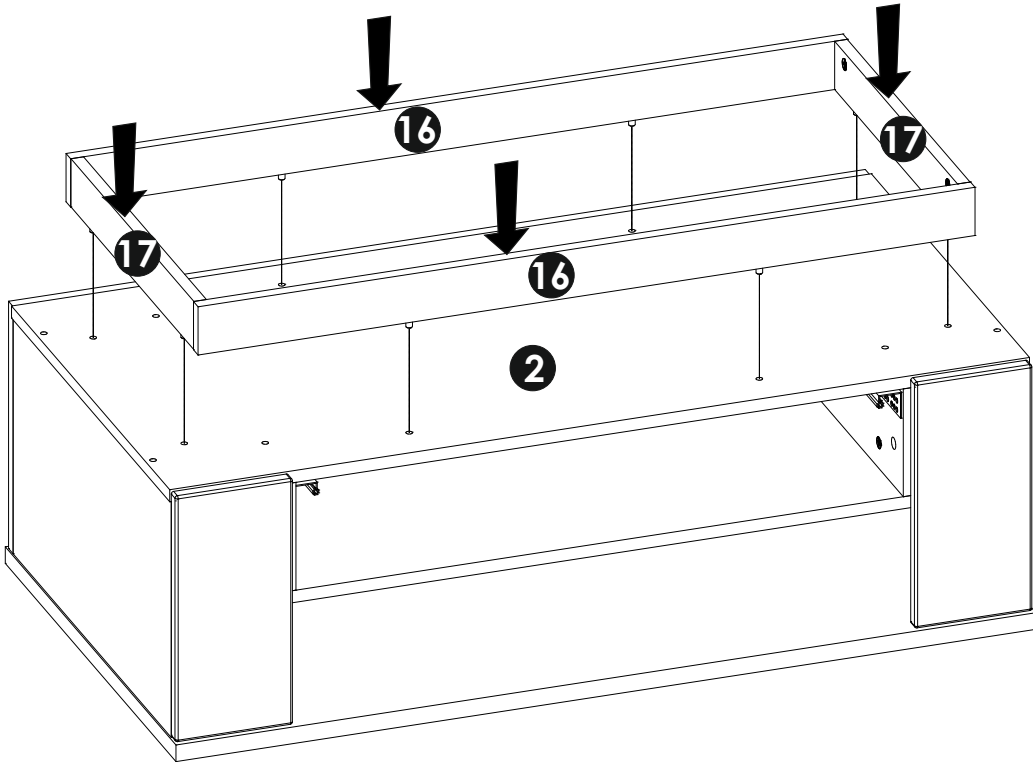
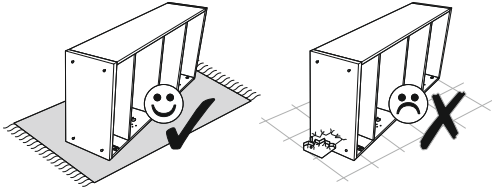
17▶



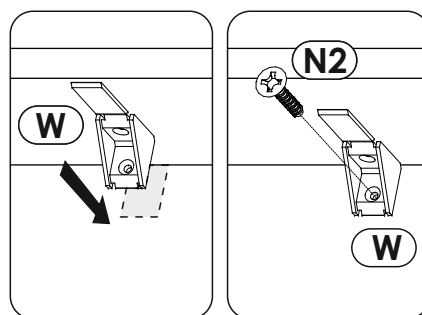
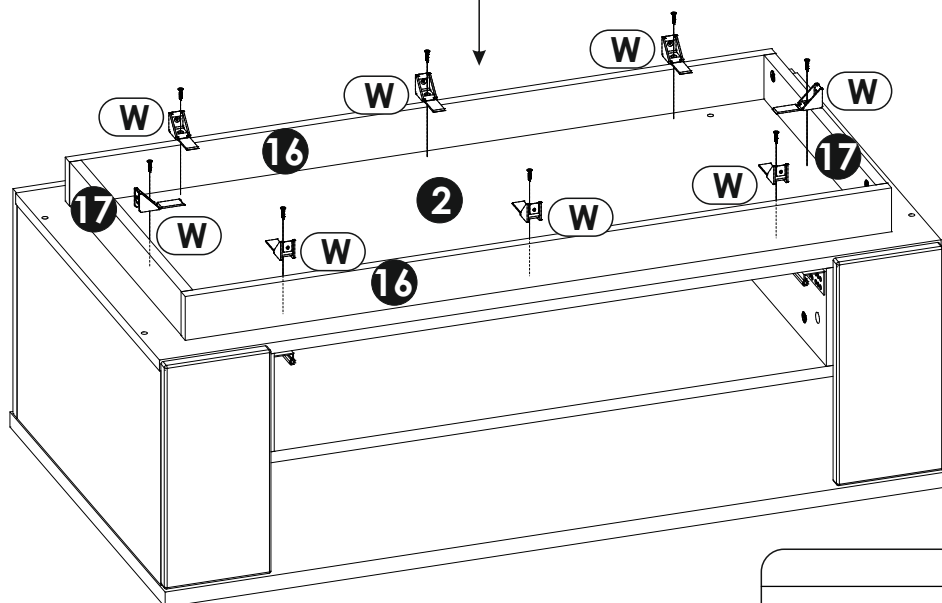
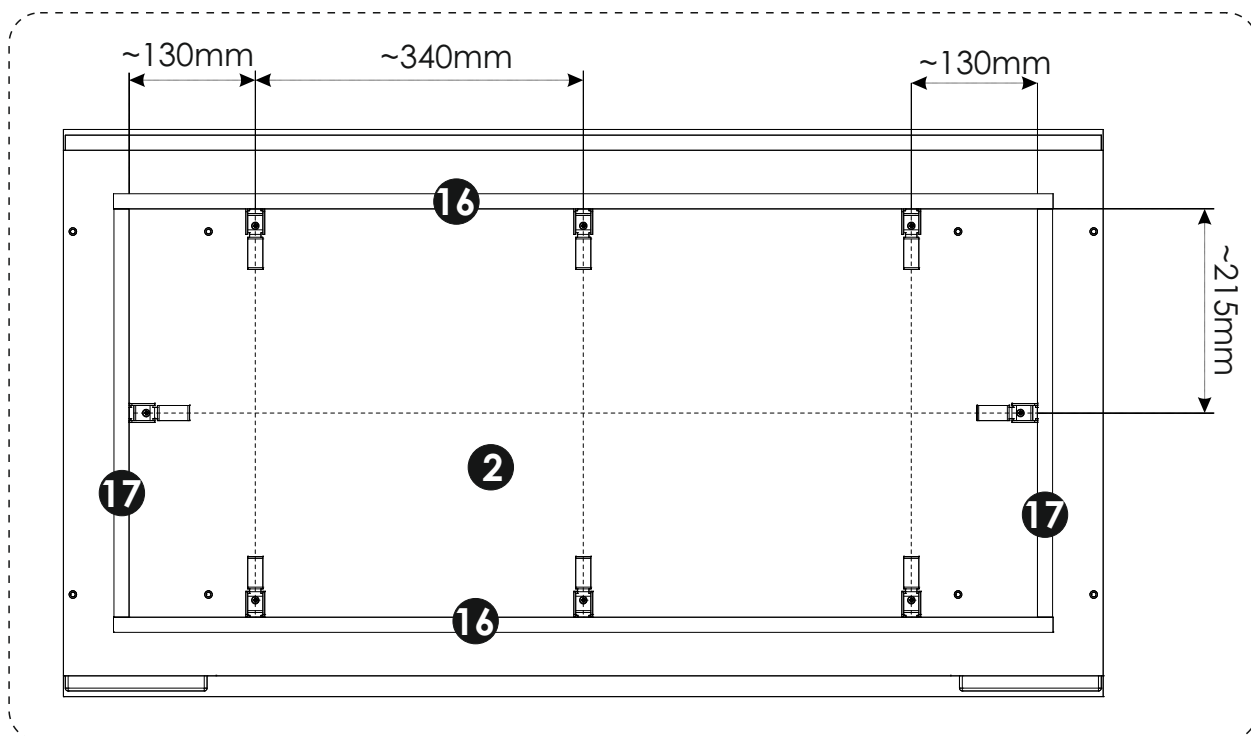
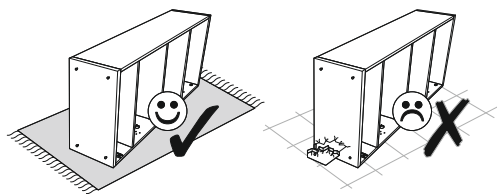
18▶



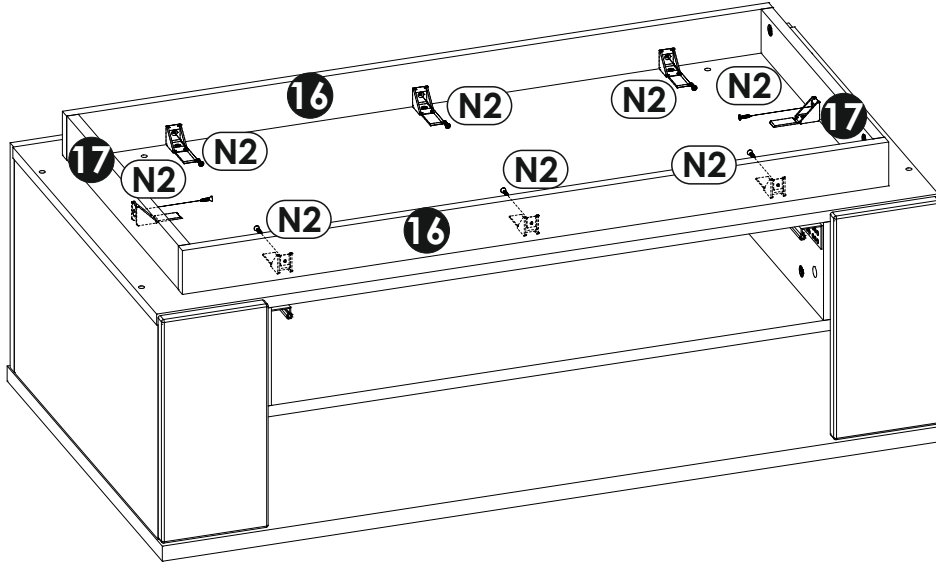
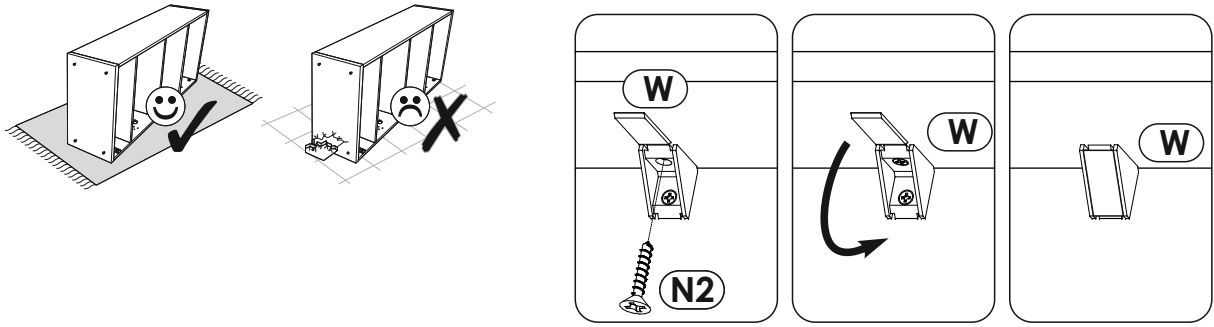
19▶▶



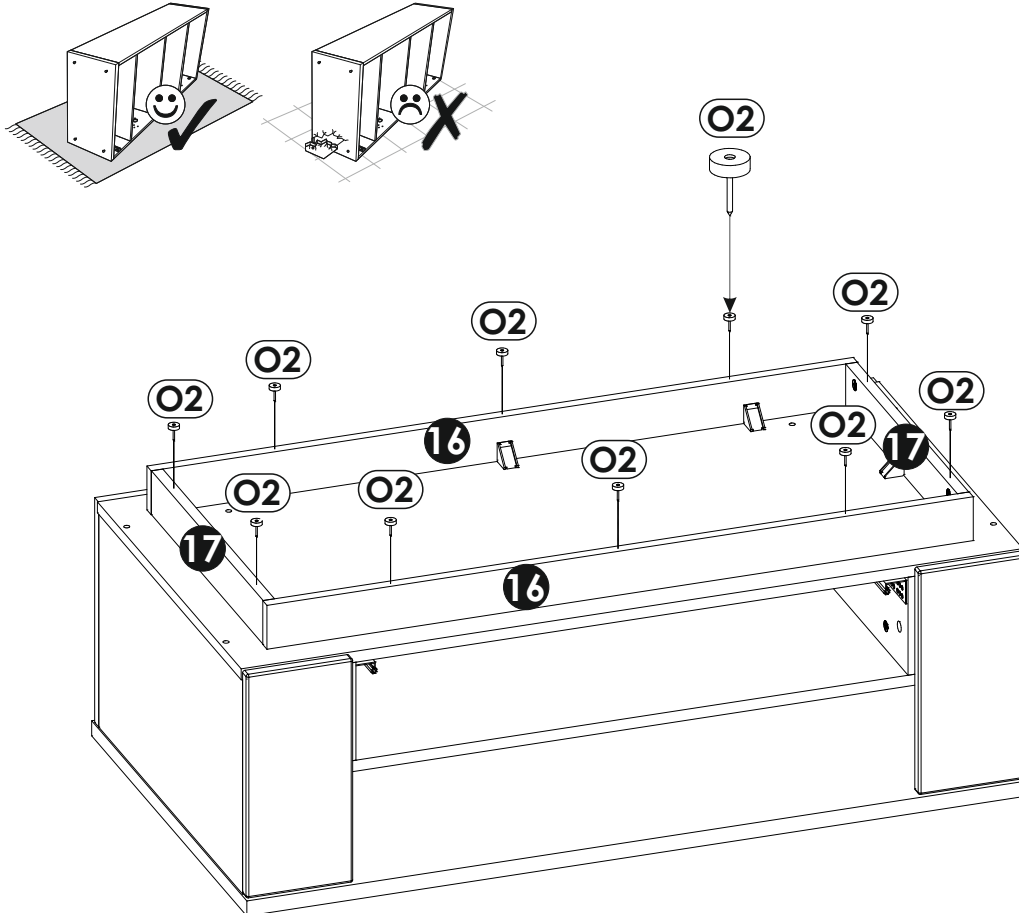
20▶▶



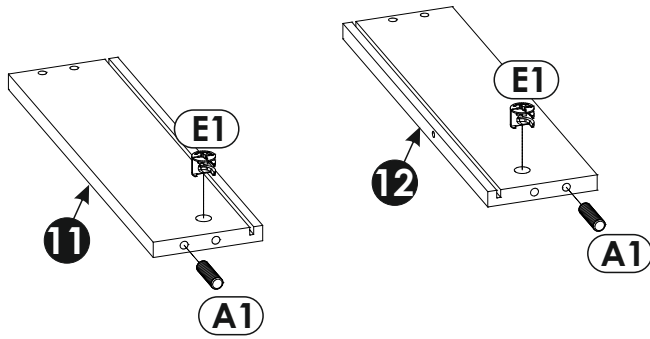
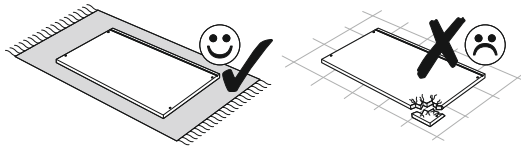
21 ▶



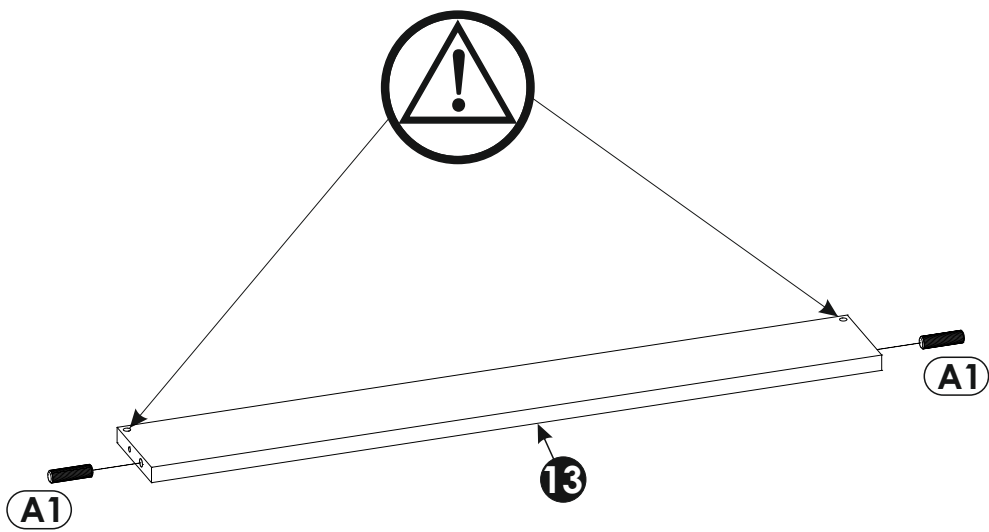
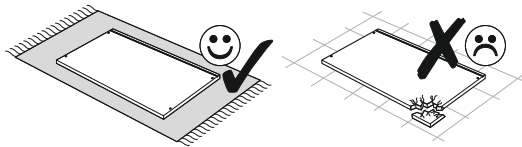
22 ▶



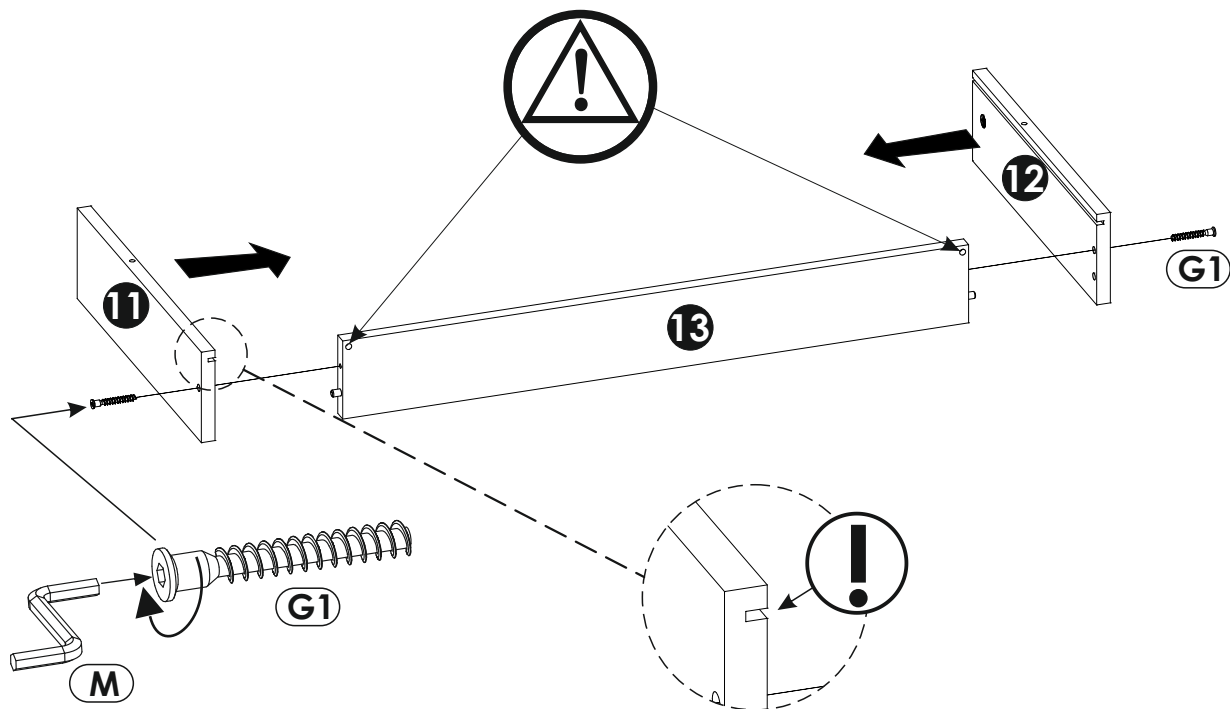
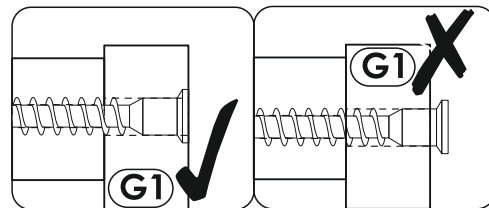
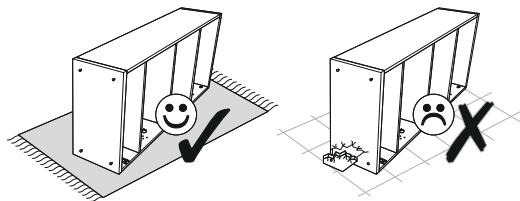
23▶▶



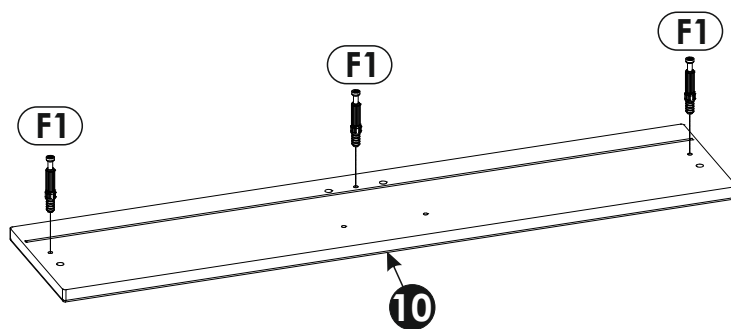
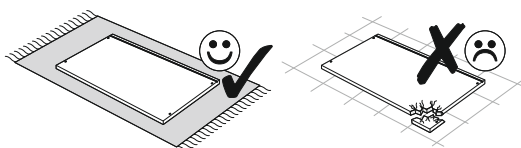
24▶▶



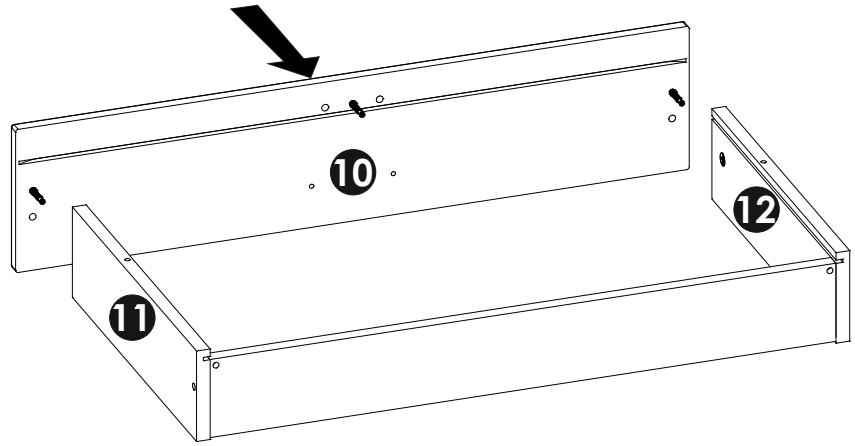
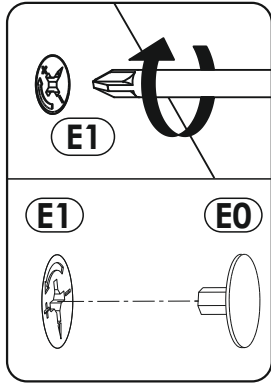
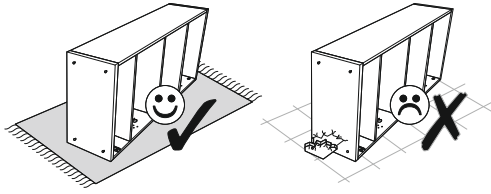
25▶



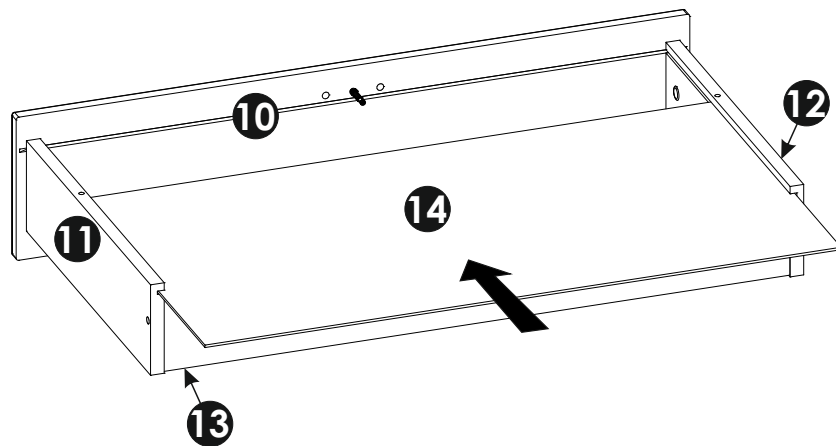
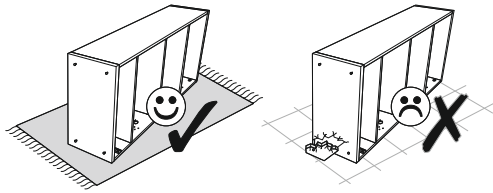
26▶



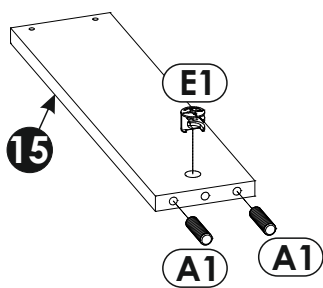
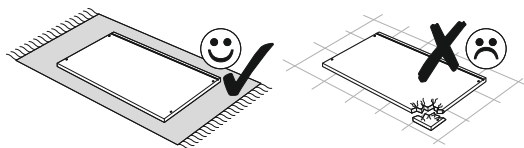
27▶



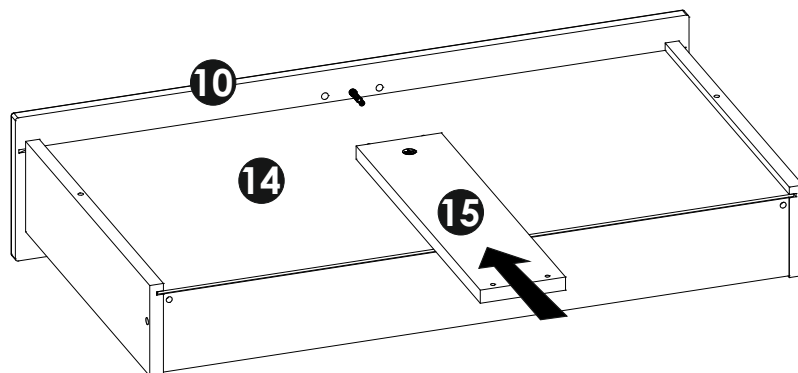
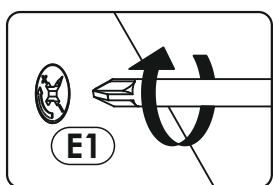
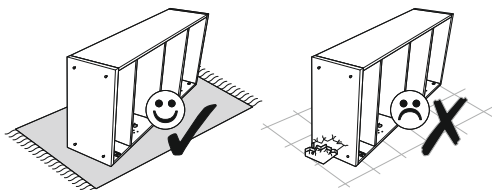
28▶



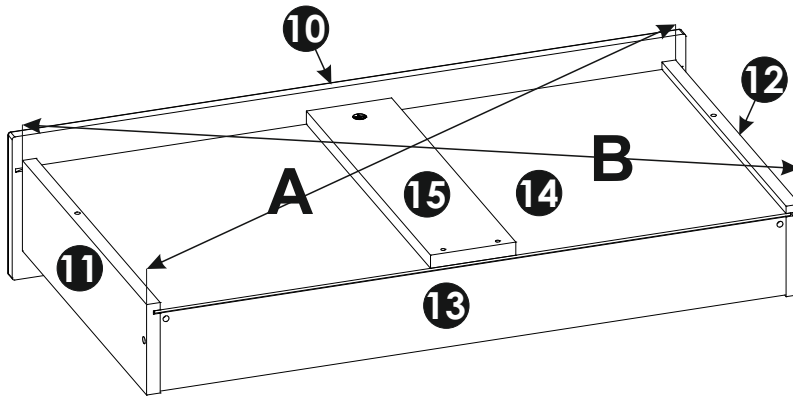
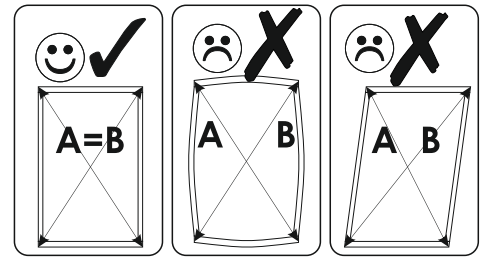
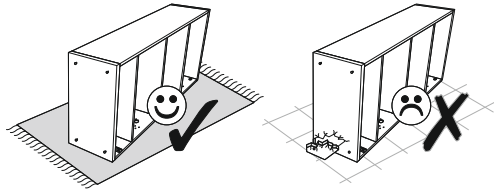
29▶



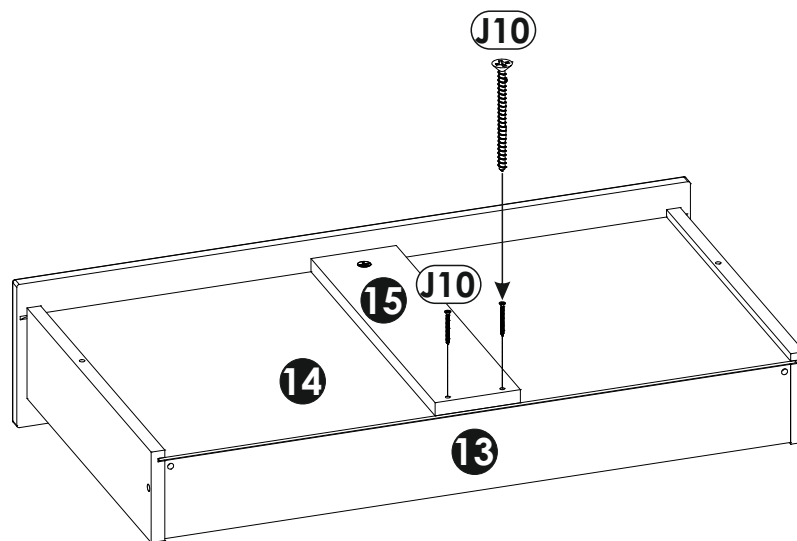
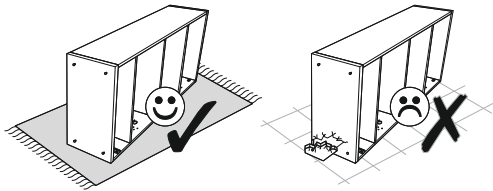
30▶



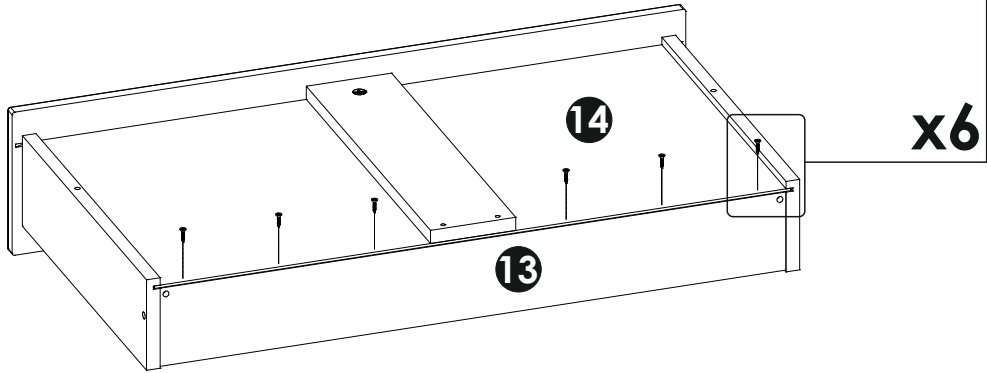
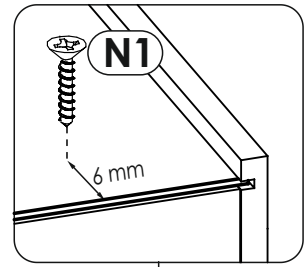
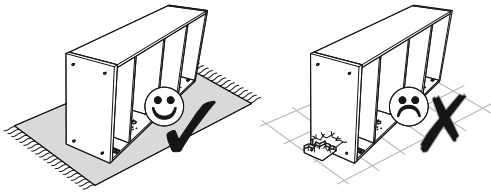
31 ▶



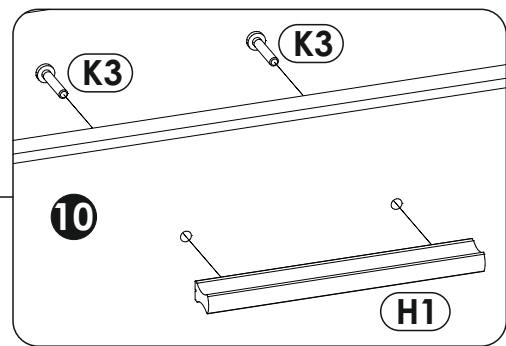
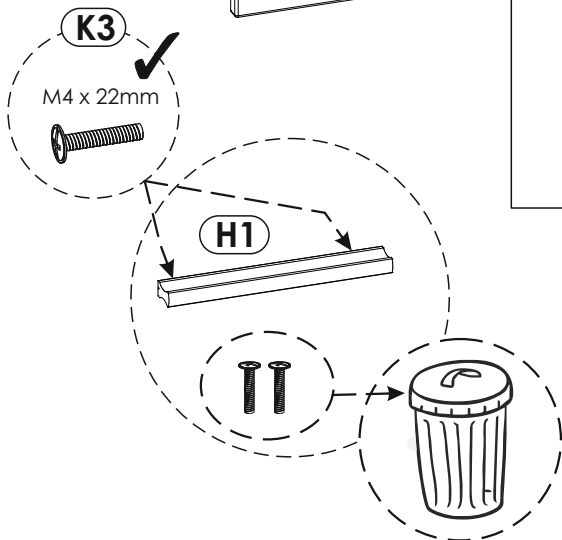
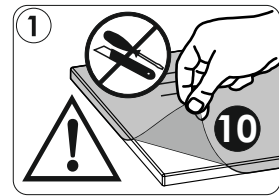
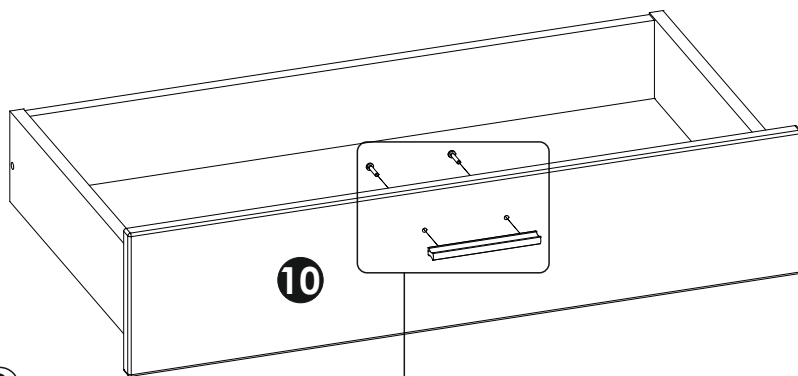
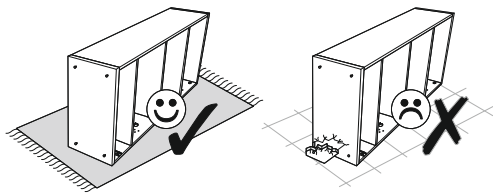
32 ▶

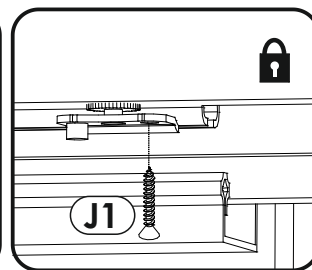
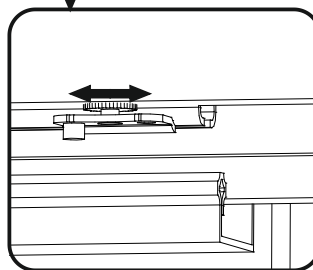
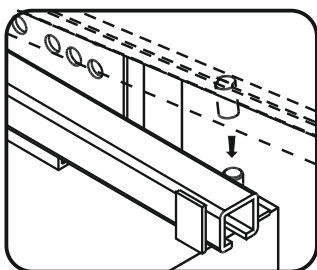
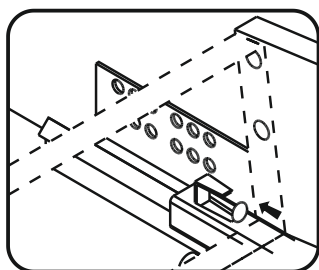
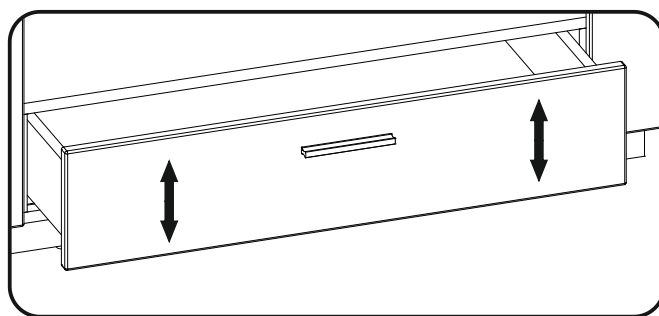
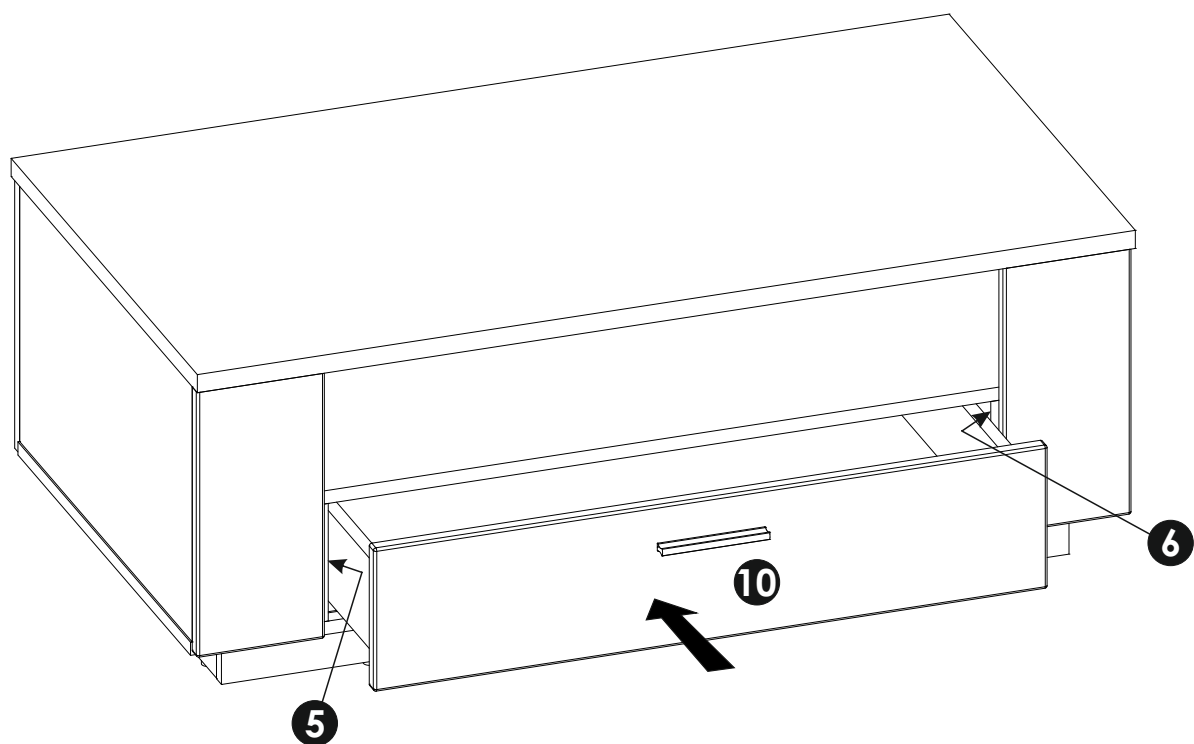


33▶



34▶





36▶

