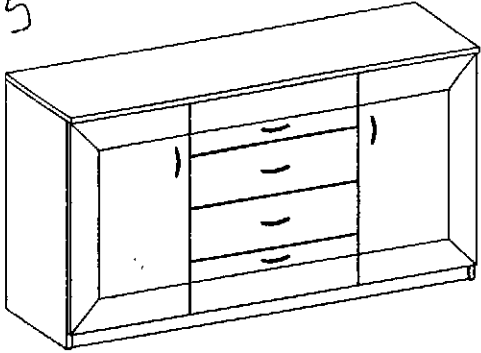










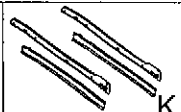







T5



| | | | | | | | | | | |
|----------------------------------------------------------------------------------------|----------------------------------------------------------------------------------------|----------------------------------------------------------------------------------------|------------------------------------------------------------------------------------------|------------------------------------------------------------------------------------------|-----------------------------------------------------------------------------------------|-----------------------------------------------------------------------------------------|-----------------------------------------------------------------------------------------|-----------------------------------------------------------------------------------------|-----------------------------------------------------------------------------------------|-----------------------------------------------------------------------------------------|
|  A |  B |  C |  D |  E |  F |  G |  H |  I |  J |  K |
| 4 | 20 | 6 | 12 | 40 | 100-120 | 12 | 12 | 12 | 4 | 4 |
|  N |  O |  P |  R |  T | | | | | | |
| 16 | 8 | 4 | 4 | 1 | | | | | | |

