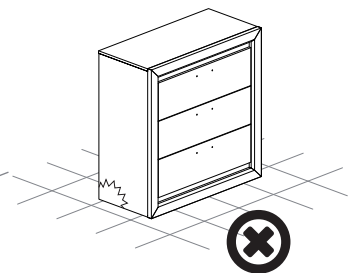
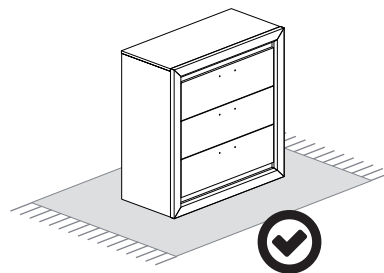
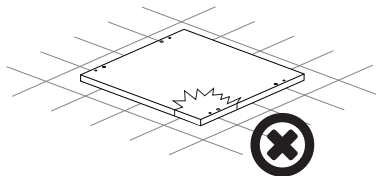
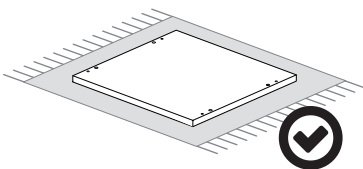
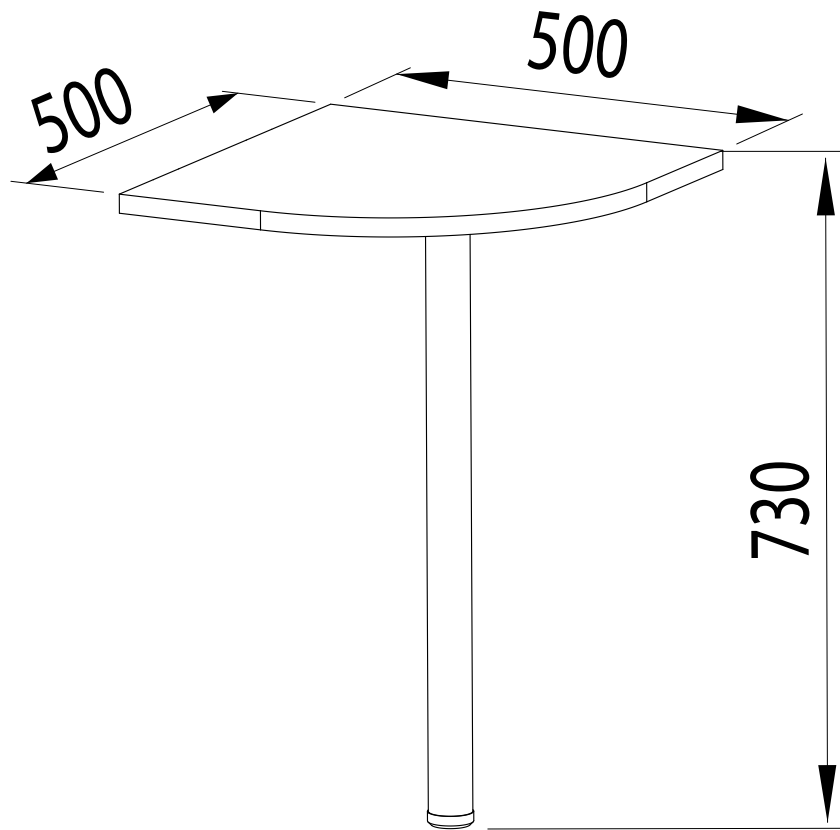
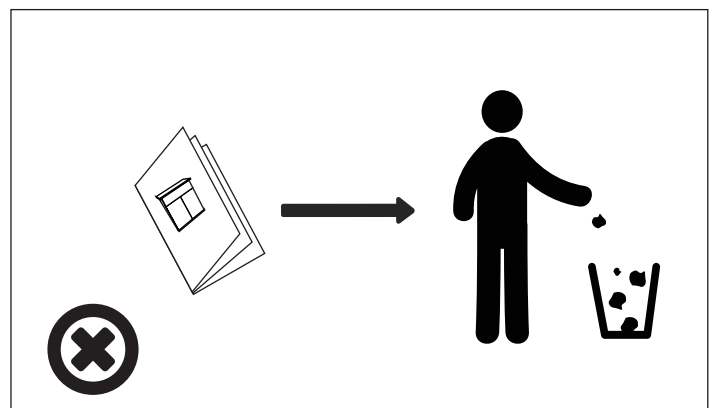
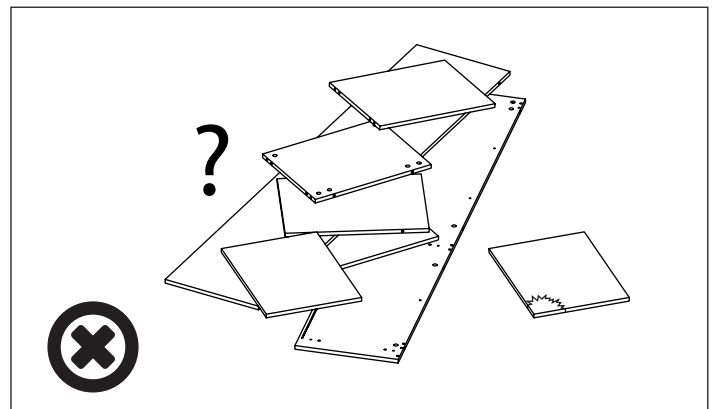
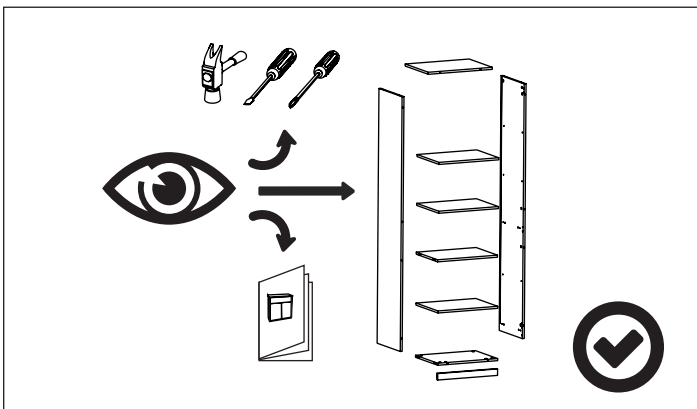
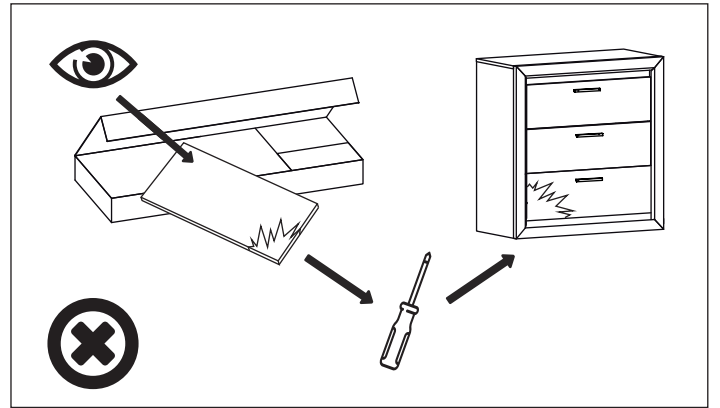
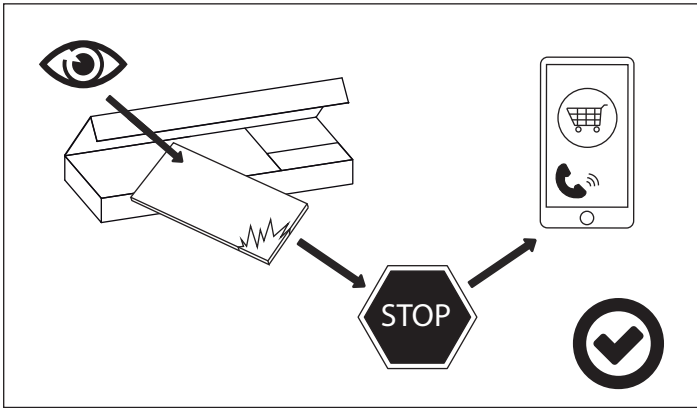
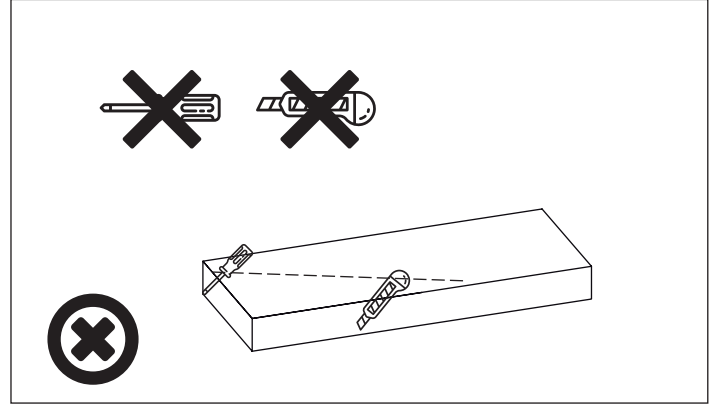
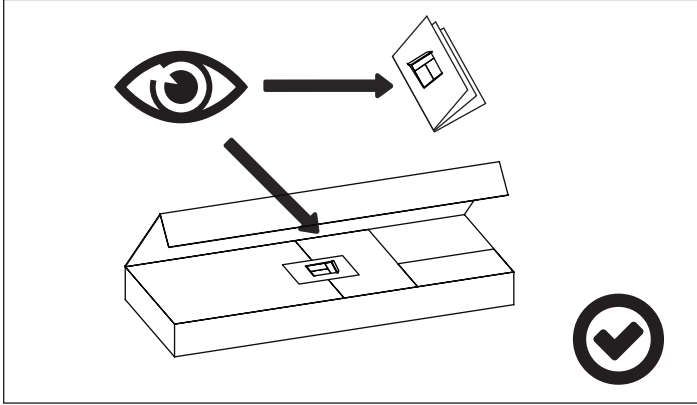
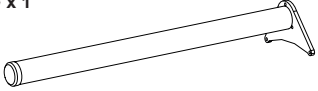
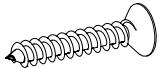
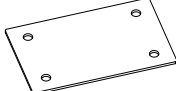
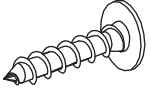


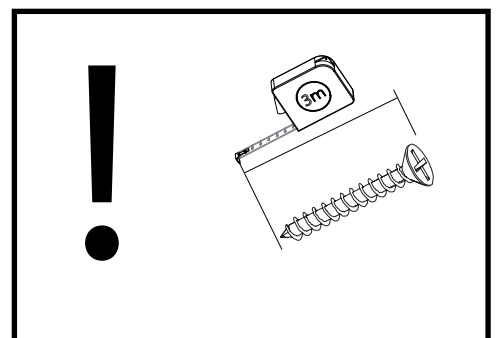
OPTIMAL 21

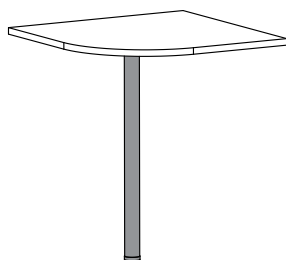







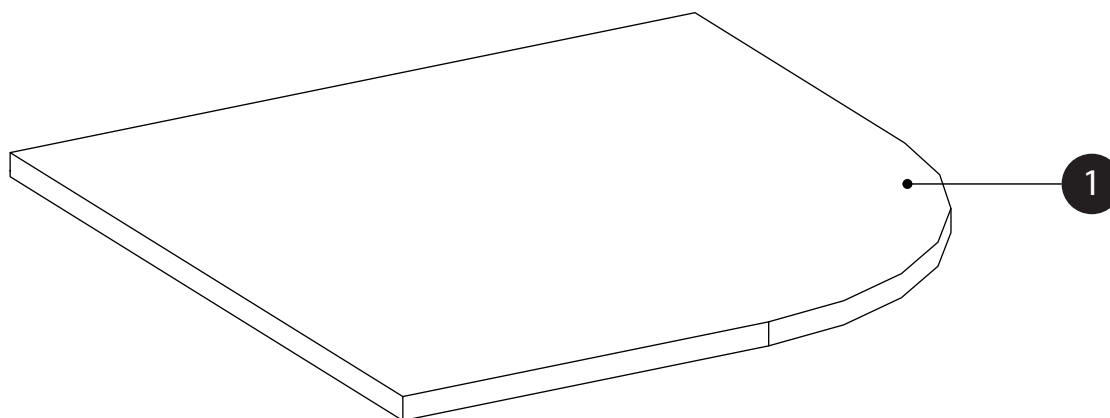
OPTIMAL 21

<p>NS1 x 1</p> 	<p>WT34 x 10</p> 	<p>PM1 x 4</p> 
<p>WT2 x 16</p> 		

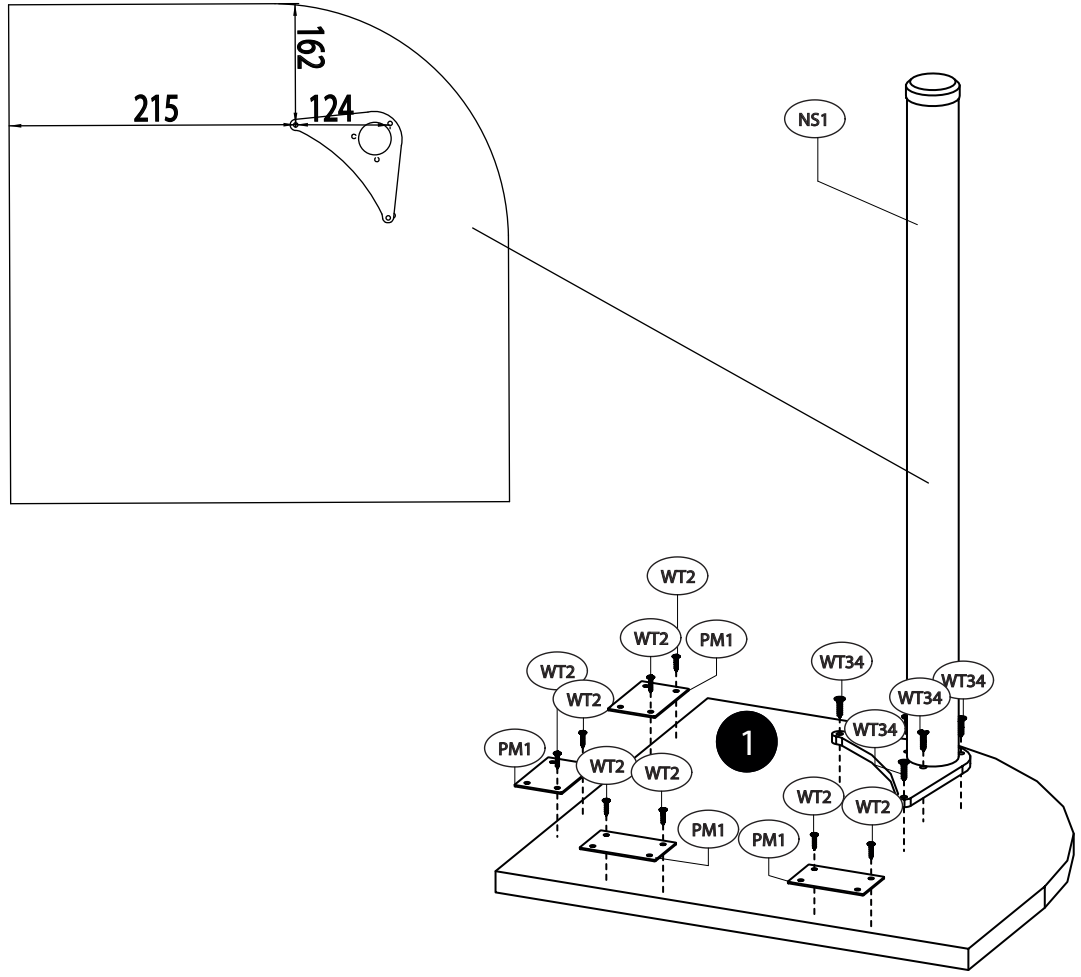




	CODE			
①	OPTIMAL21_01	500	500	1
②				
③				
④				
⑤				
⑥				



A ▶



B ▶

