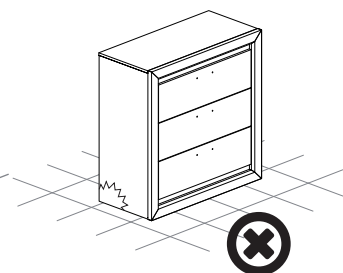
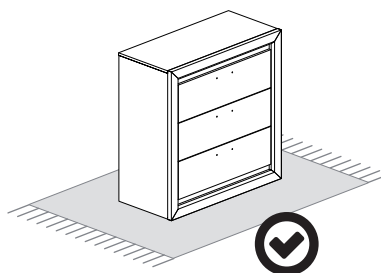
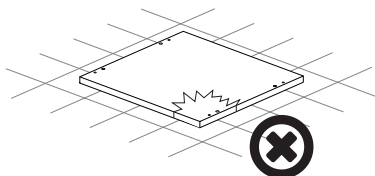
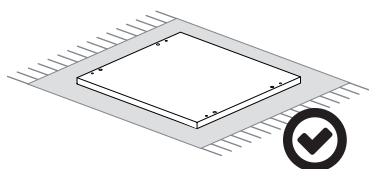
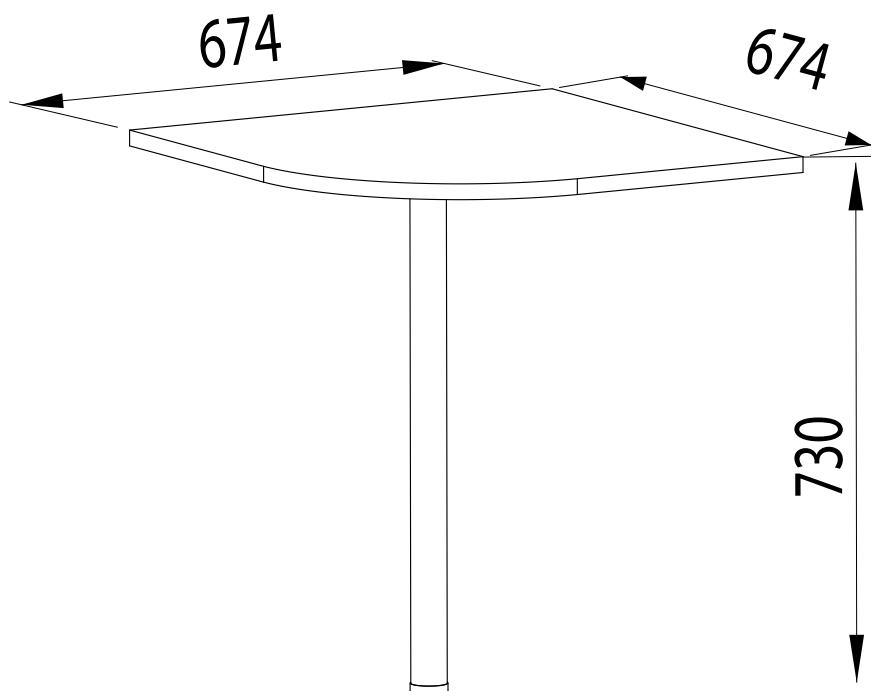
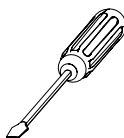
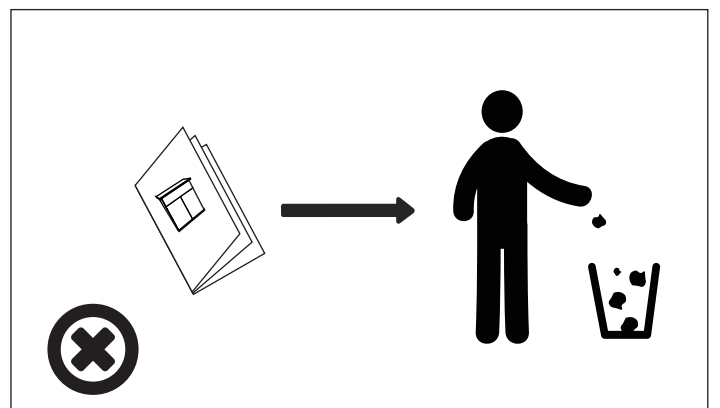
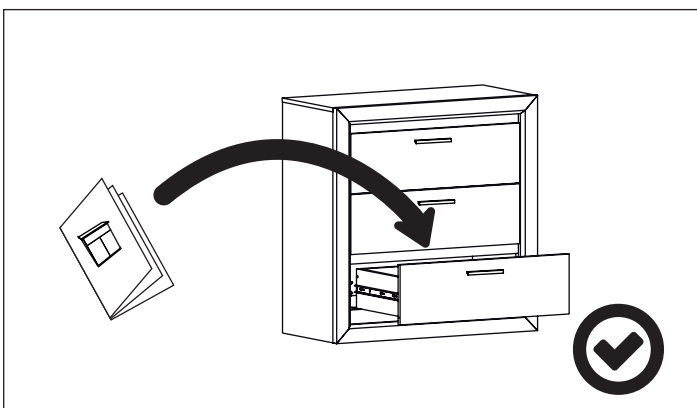
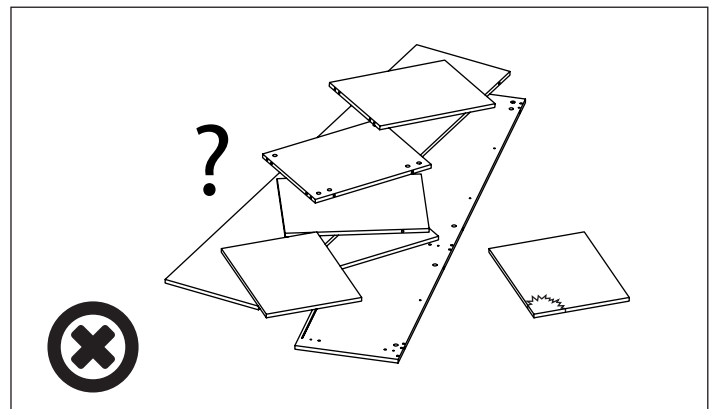
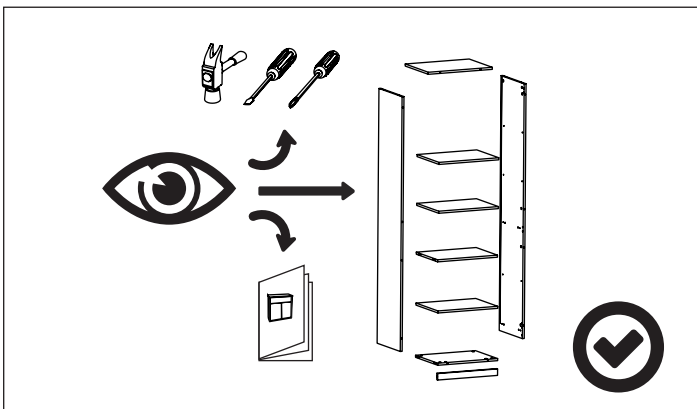
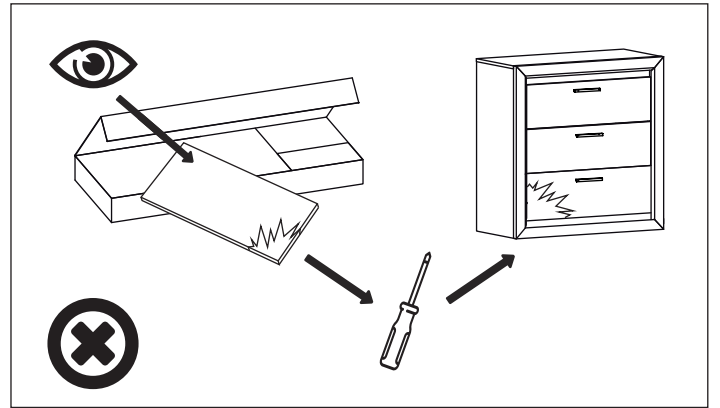
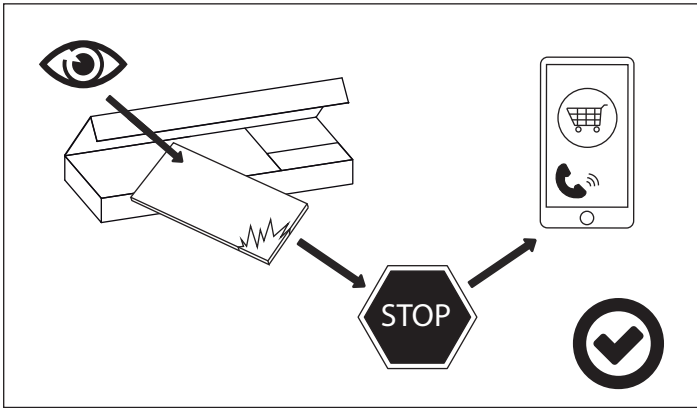
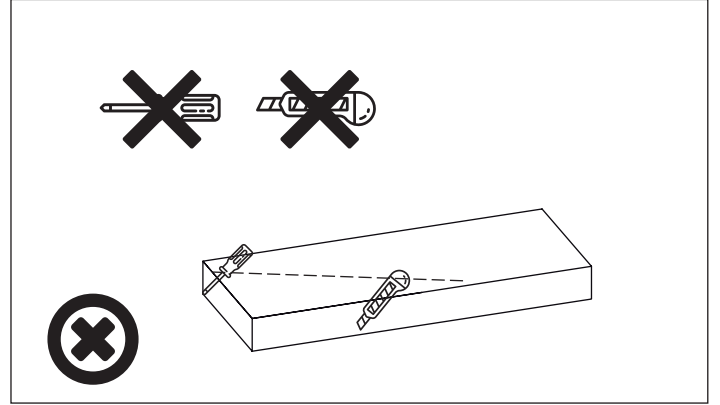
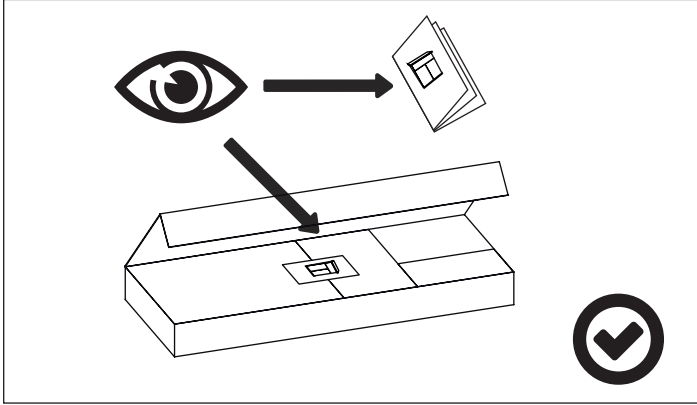
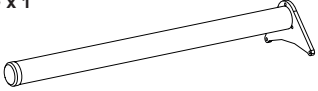
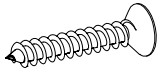
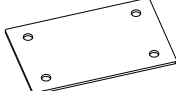
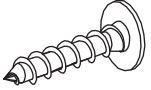


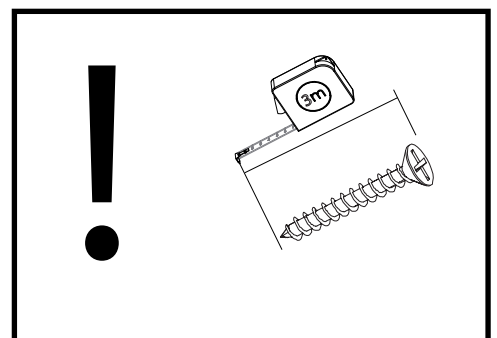
OPTIMAL 20

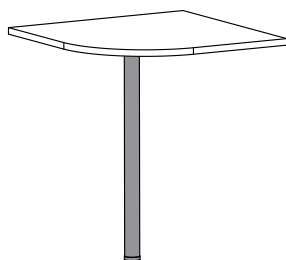




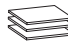


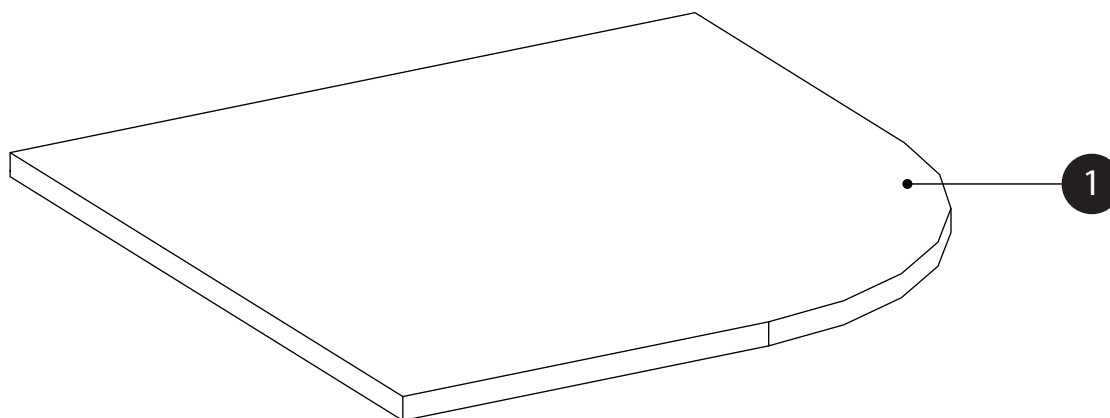
OPTIMAL 20

<p>NS1 x 1</p> 	<p>WT34 x 5</p> 	<p>PM1 x 4</p> 
<p>WT2 x 16</p> 		

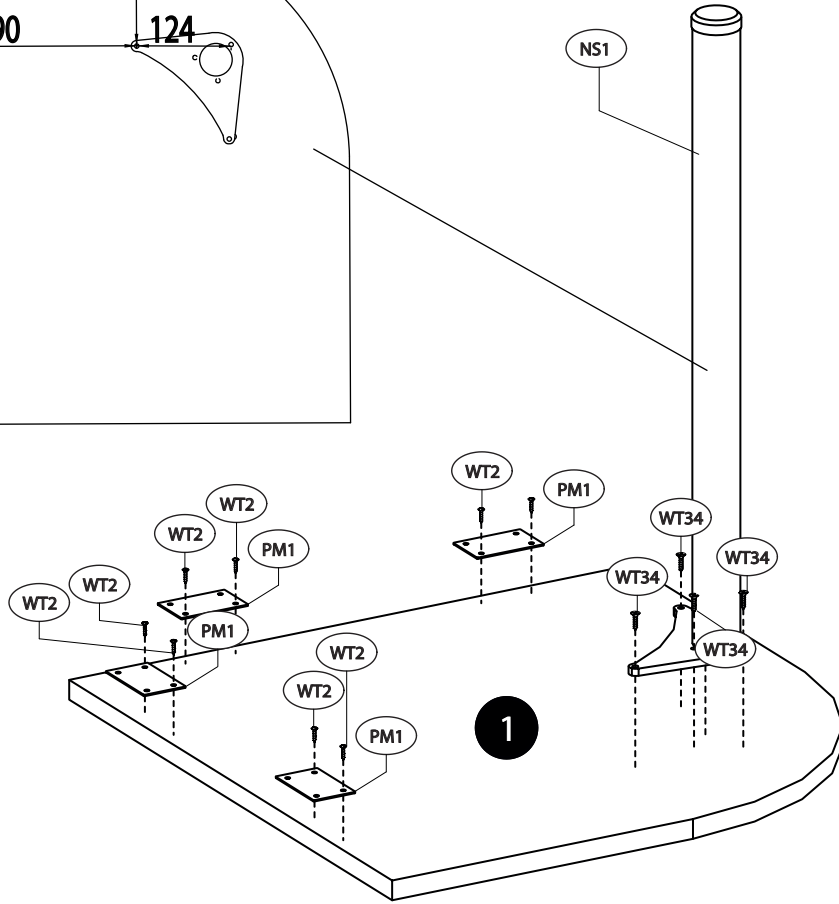
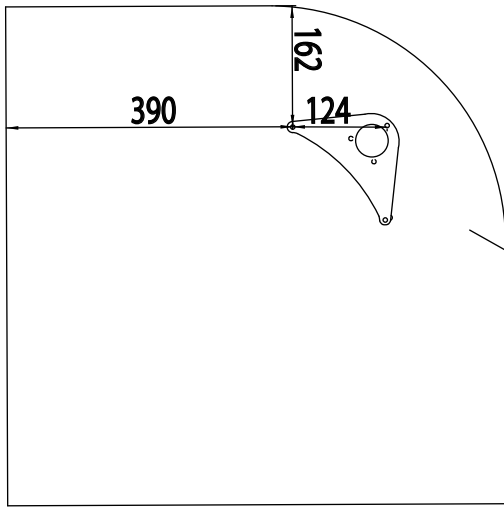




	CODE			
1	OPTIMAL20_01	674	674	1
2				
3				
4				
5				
6				



A ▶



B ▶

