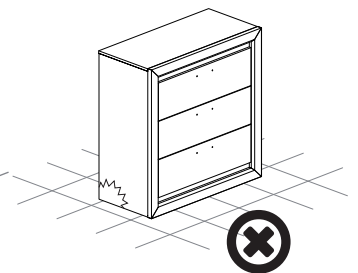
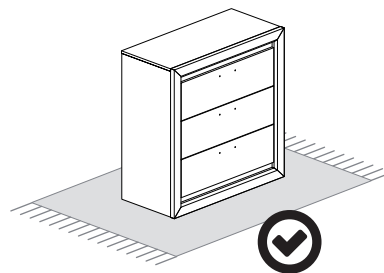
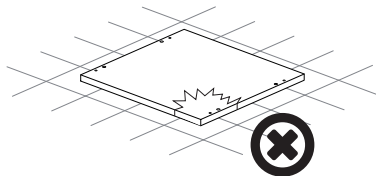
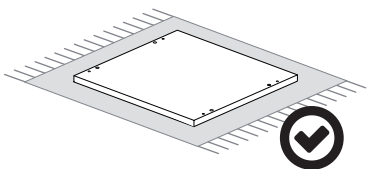
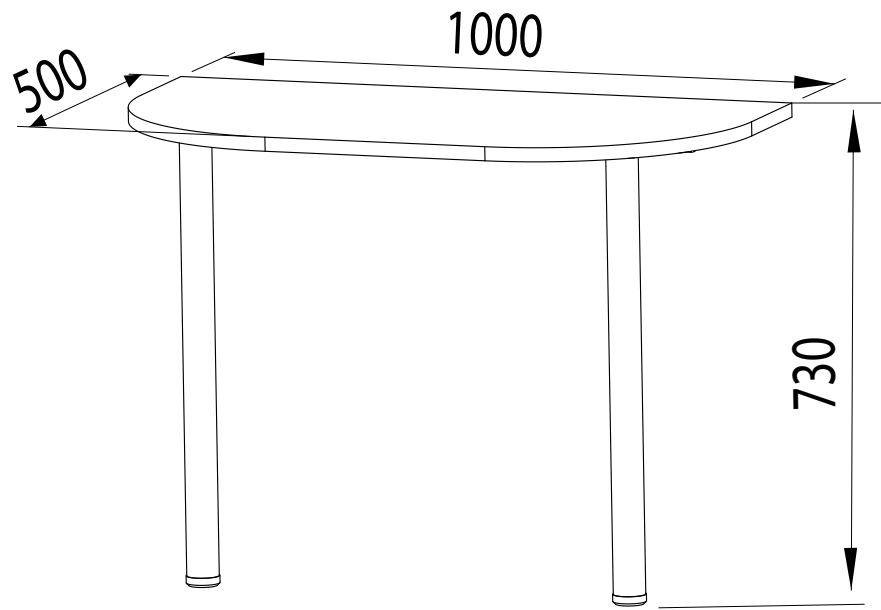
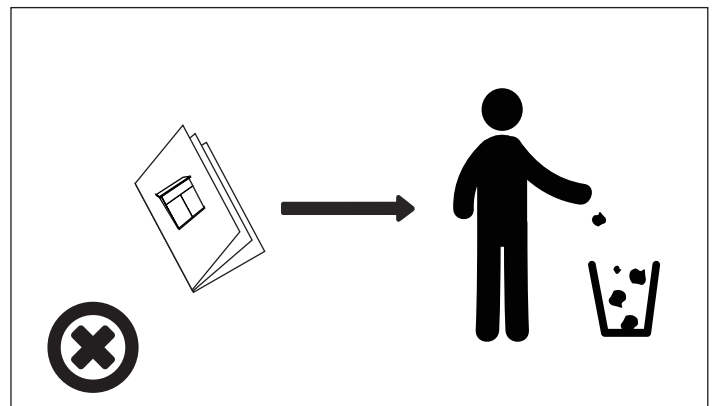
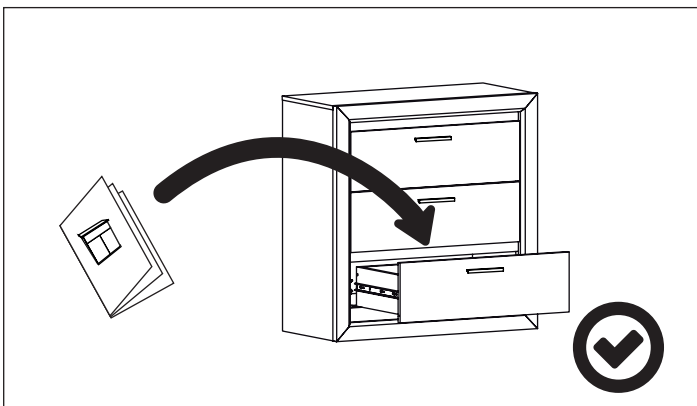
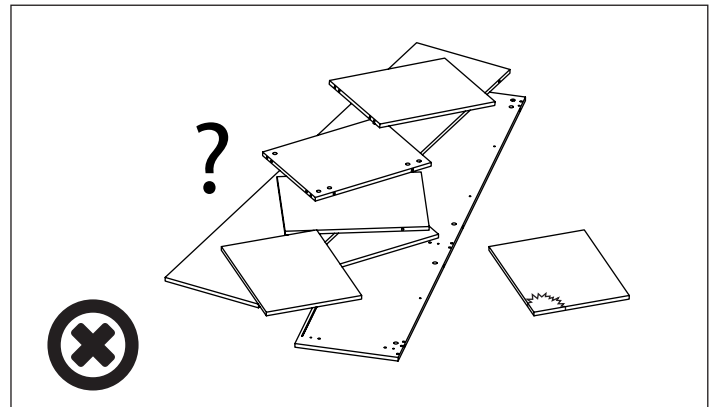
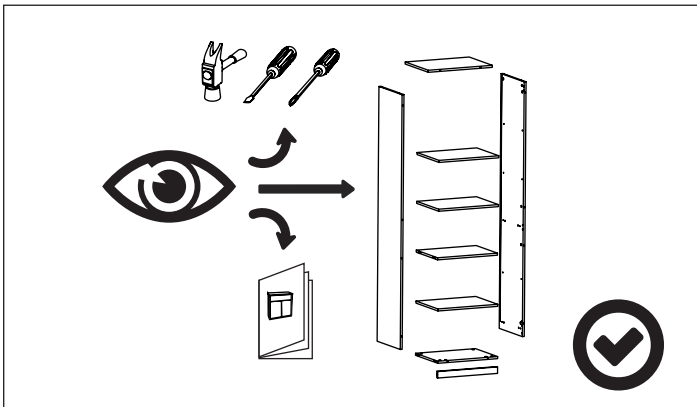
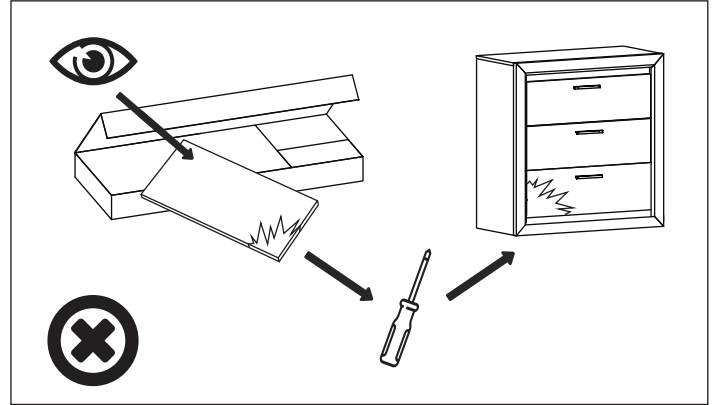
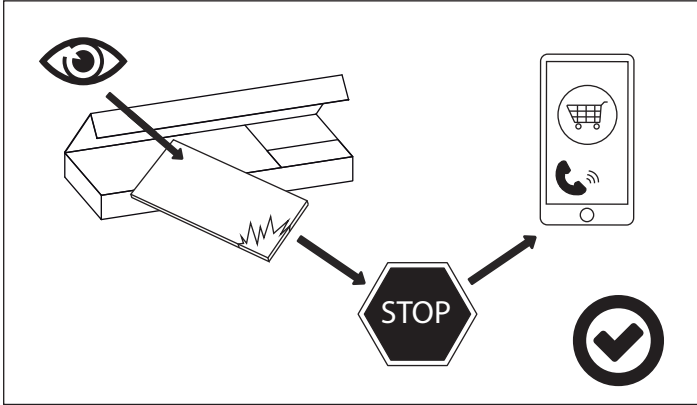
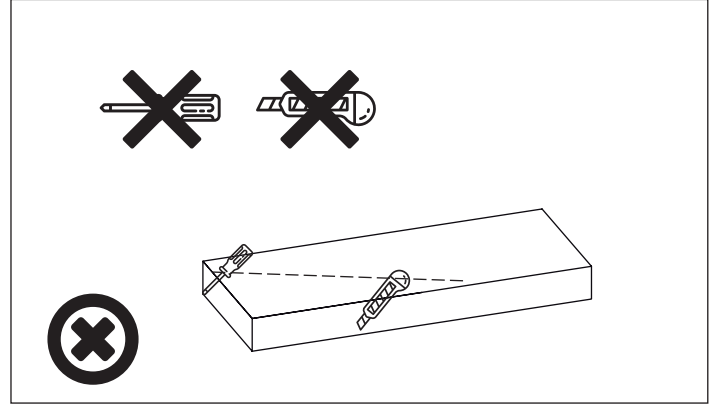
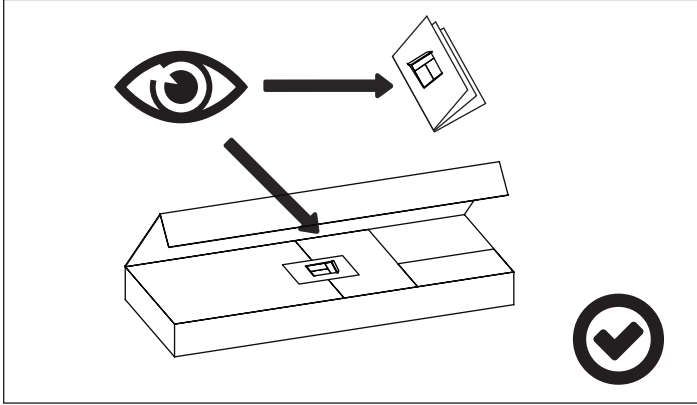
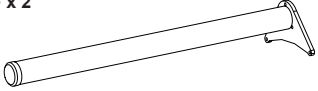
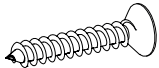
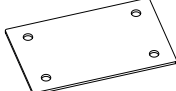
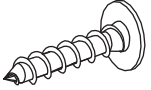


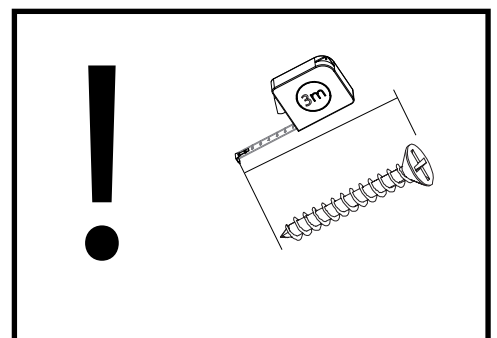
OPTIMAL 18

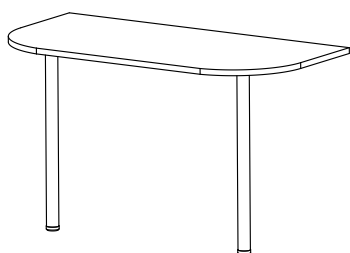


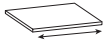

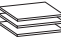


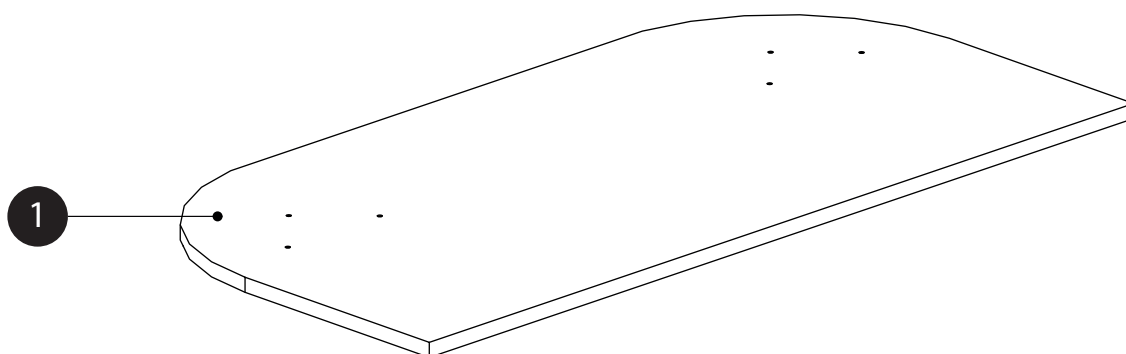
OPTIMAL 18

<p>NS1 x 2</p> 	<p>WT34 x 10 5x20</p> 	<p>PM1 x 3</p> 
<p>WT2 x 12 3,5x16</p> 		

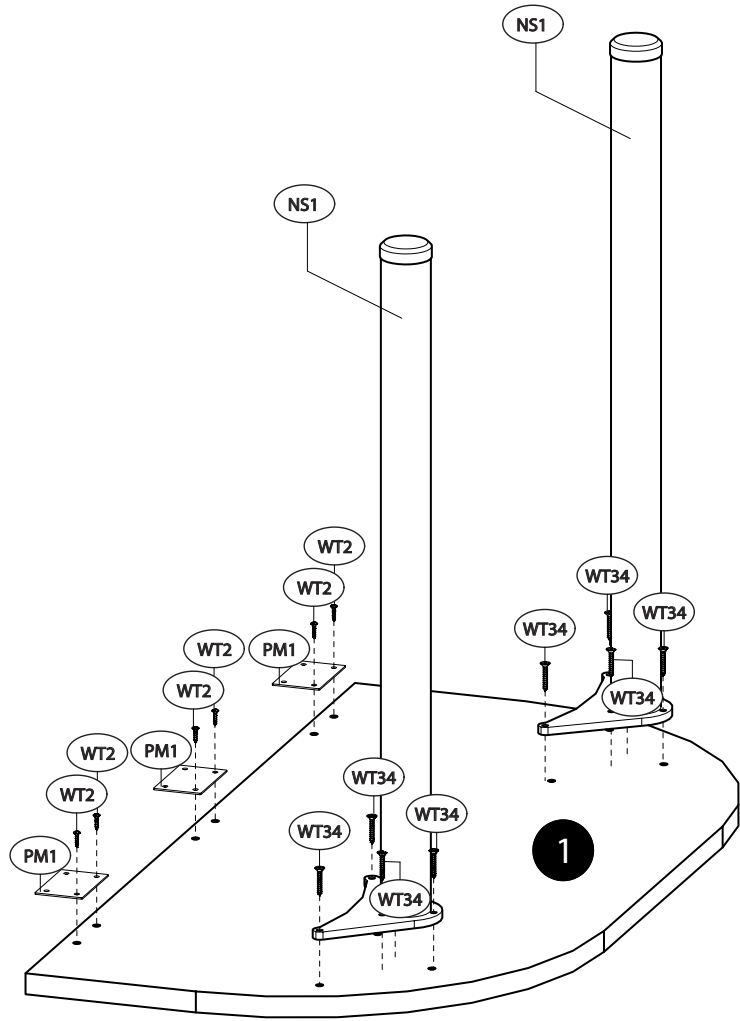




	CODE			
1	OPTIMAL18_01	1000	500	1
2				
3				
4				
5				
6				



A ▶



B ▶

