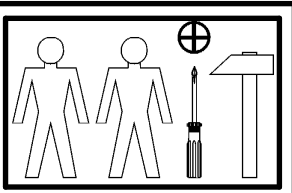
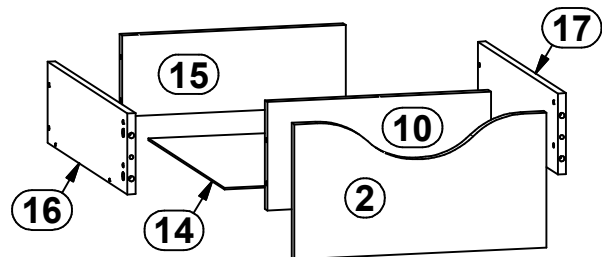
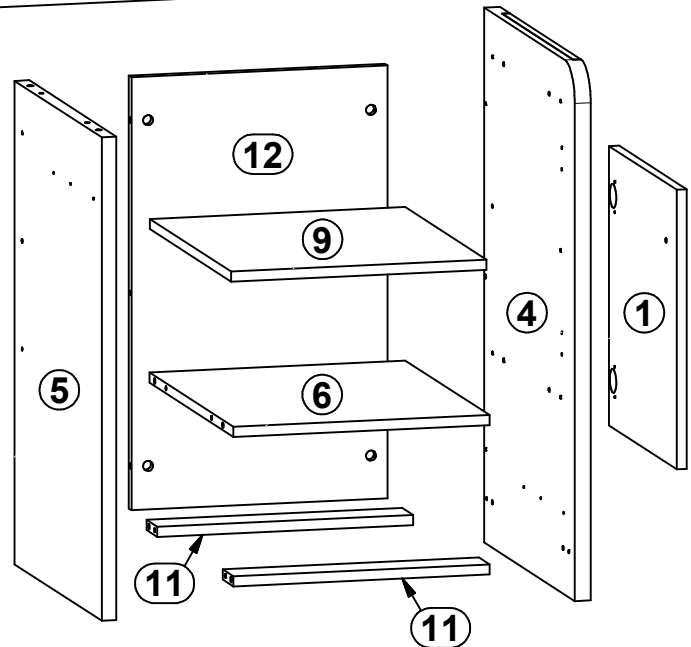
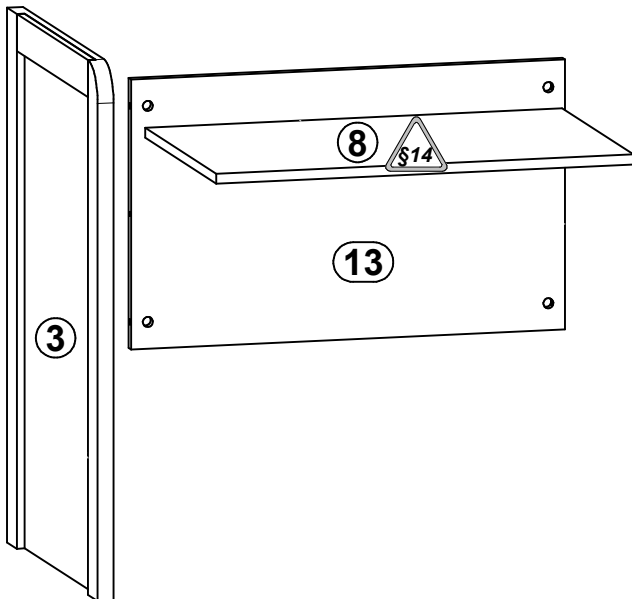
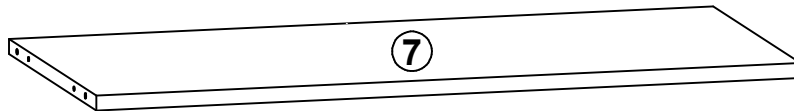
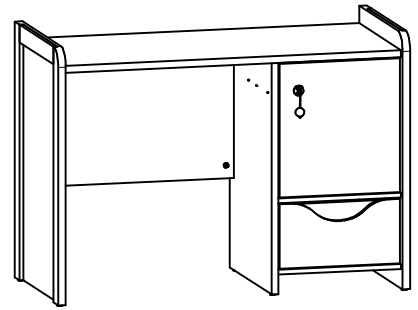


# HiHOT

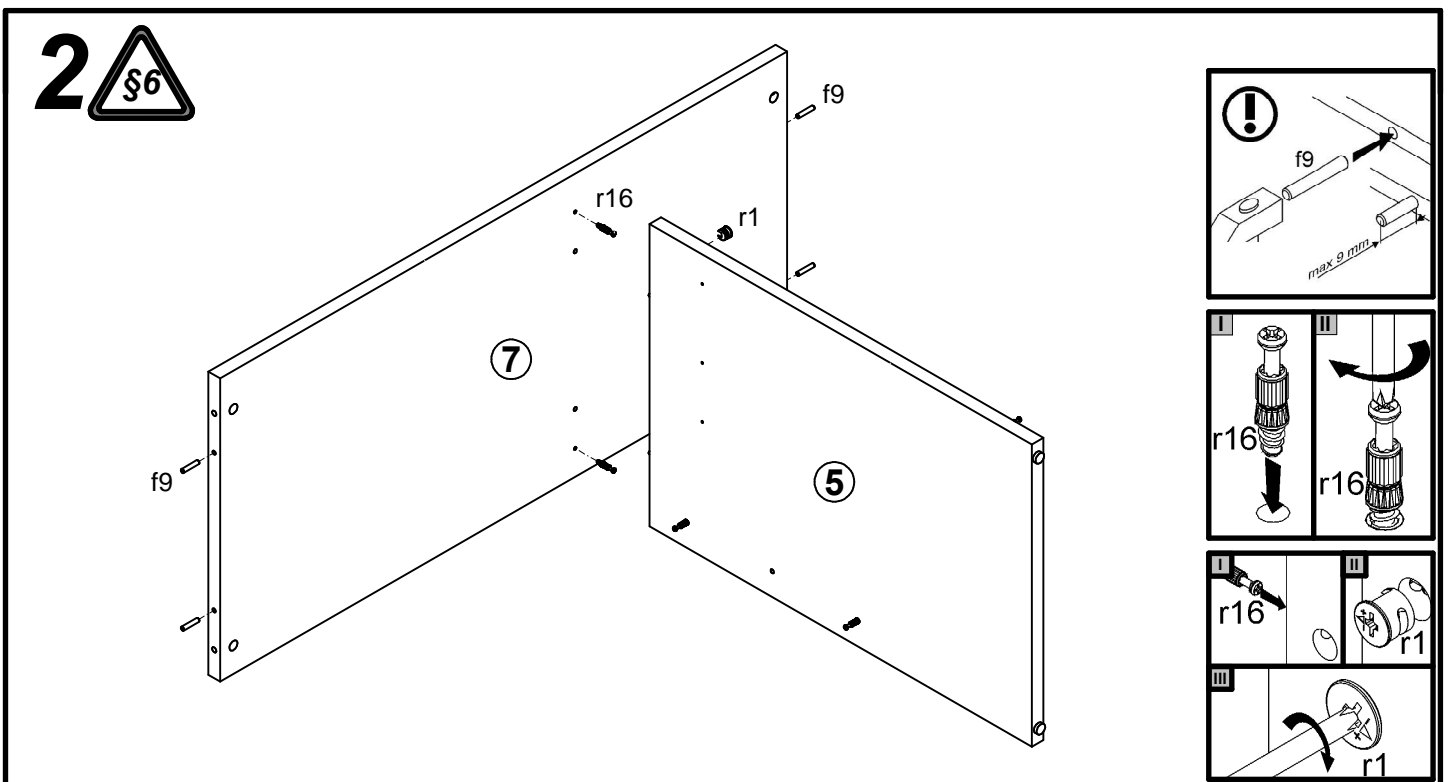
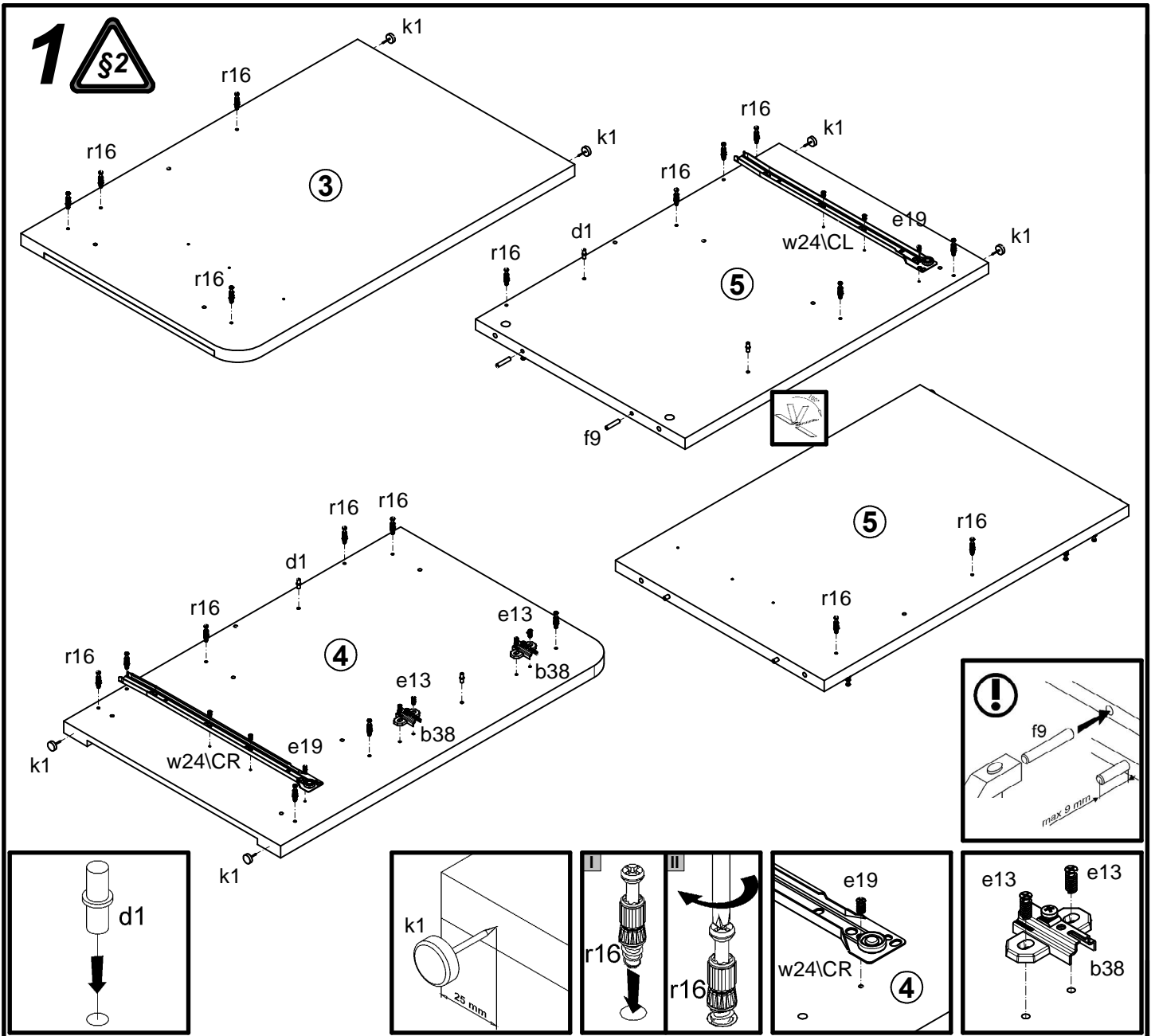
# S193-BIU1D1S

A	B	C	D	A	B	C	D		
1	S193-012	380	414	4/4	10	S193-408	337	161	4/4
2	S193-013	380	200	4/4	11	S193-409	386	60	1/4
3	S193-109	792	510	1/4	12	S193-410	386	641	1/4
4	S193-110	792	510	1/4	13	S193-411	654	400	1/4
5	S193-111	716	491	2/4	14	S193-907	359	429	2/4
6	S193-304	386	474	2/4	15	ZS3-5556	337	120	1/4
7	S193-306	1062	492	2/4	16	ZT5-503	450	120	1/4
8	S193-307	629	400	1/1	17	ZT5-504	450	120	1/4
9	S193-311	385	457	1/4					

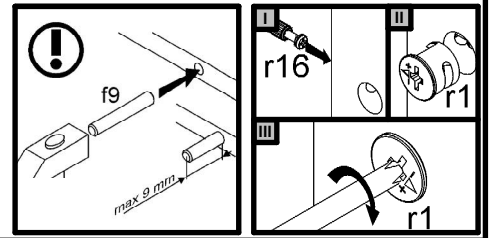
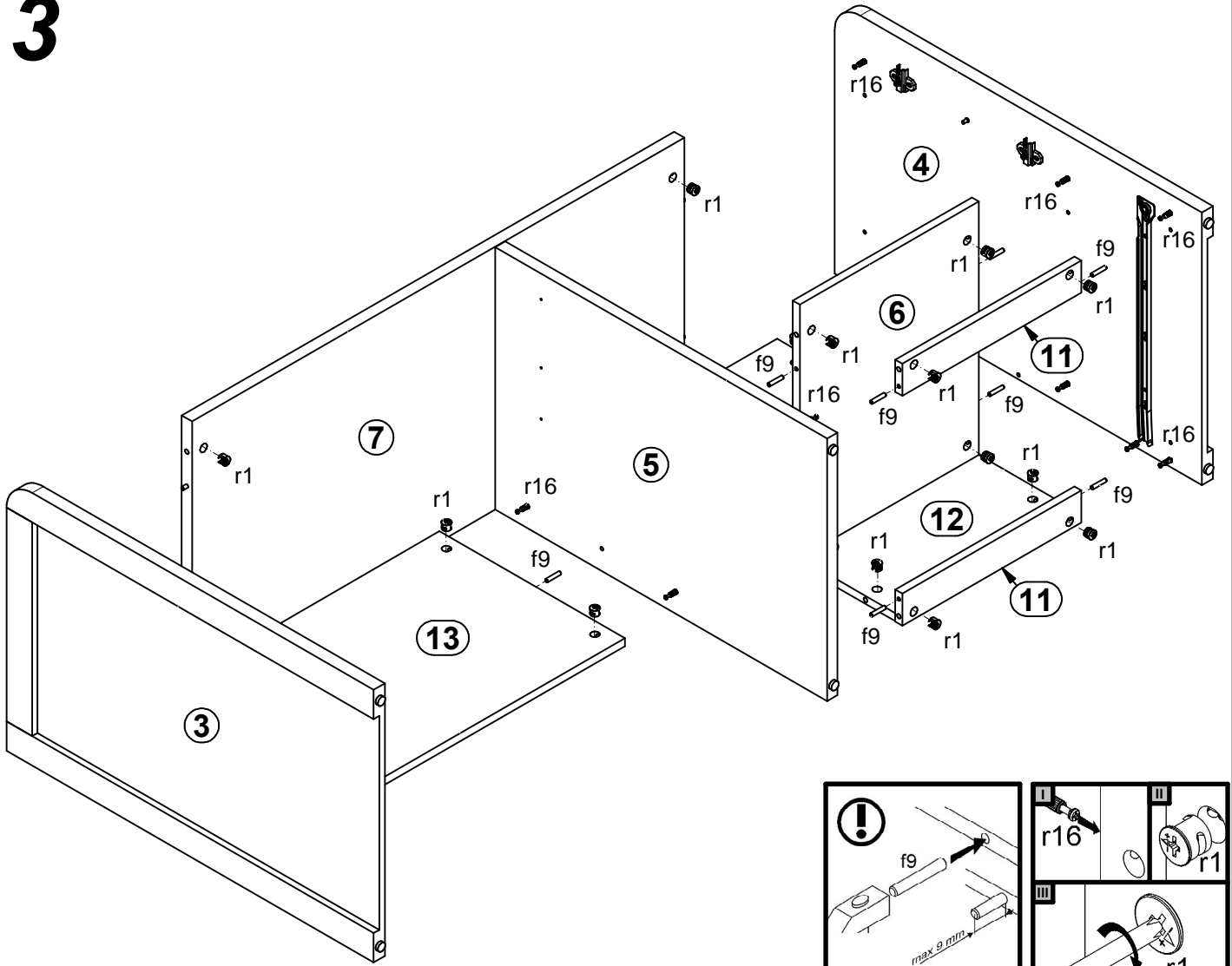


2x  a43	2x  b38	1x  c353\1	4x  d1 Ø5x17 mm	4x  e13 Ø5.5x13 mm
10x  e19 Ø5x9 mm	8x  f25 Ø6.5x40 mm	20x  f9 Ø6x30 mm	1x  j29 M4x14 mm	6x  k1
6x  p38 Ø3.5x16 mm	4x  p51 Ø3.5x15 mm	22x  r1 Ø15x12 mm #16	4x  r15 Ø12x10.5 mm #12	26x  r16
6x  s2 Ø16	1x  w24\CL 450 mm	1x  w24\CR 450 mm	1x  w24\DL 450 mm	1x  w24\DR 450 mm

§14		
4x  p27 Ø3.5x13 mm	6x  e19 Ø5x9 mm	1x  w5\CL 400 mm
1x  w5\CR 400 mm	1x  w5\DL 400 mm	1x  w5\DR 400 mm



# 3



# 4

