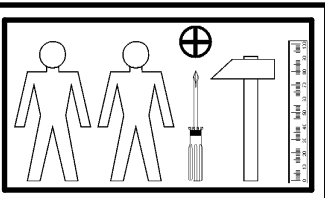
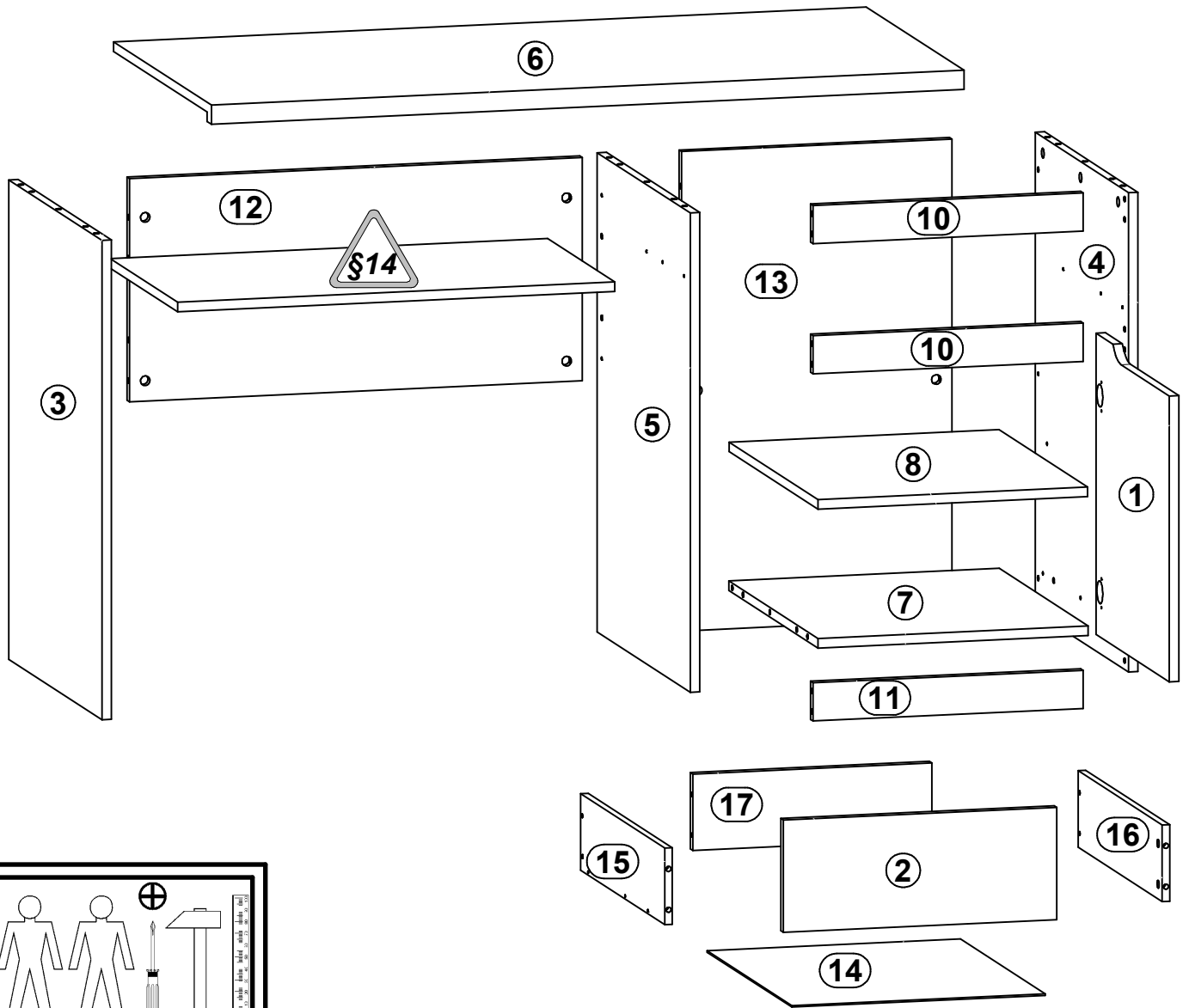
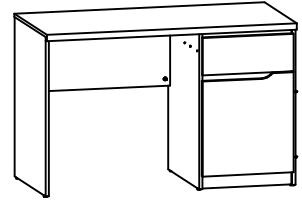
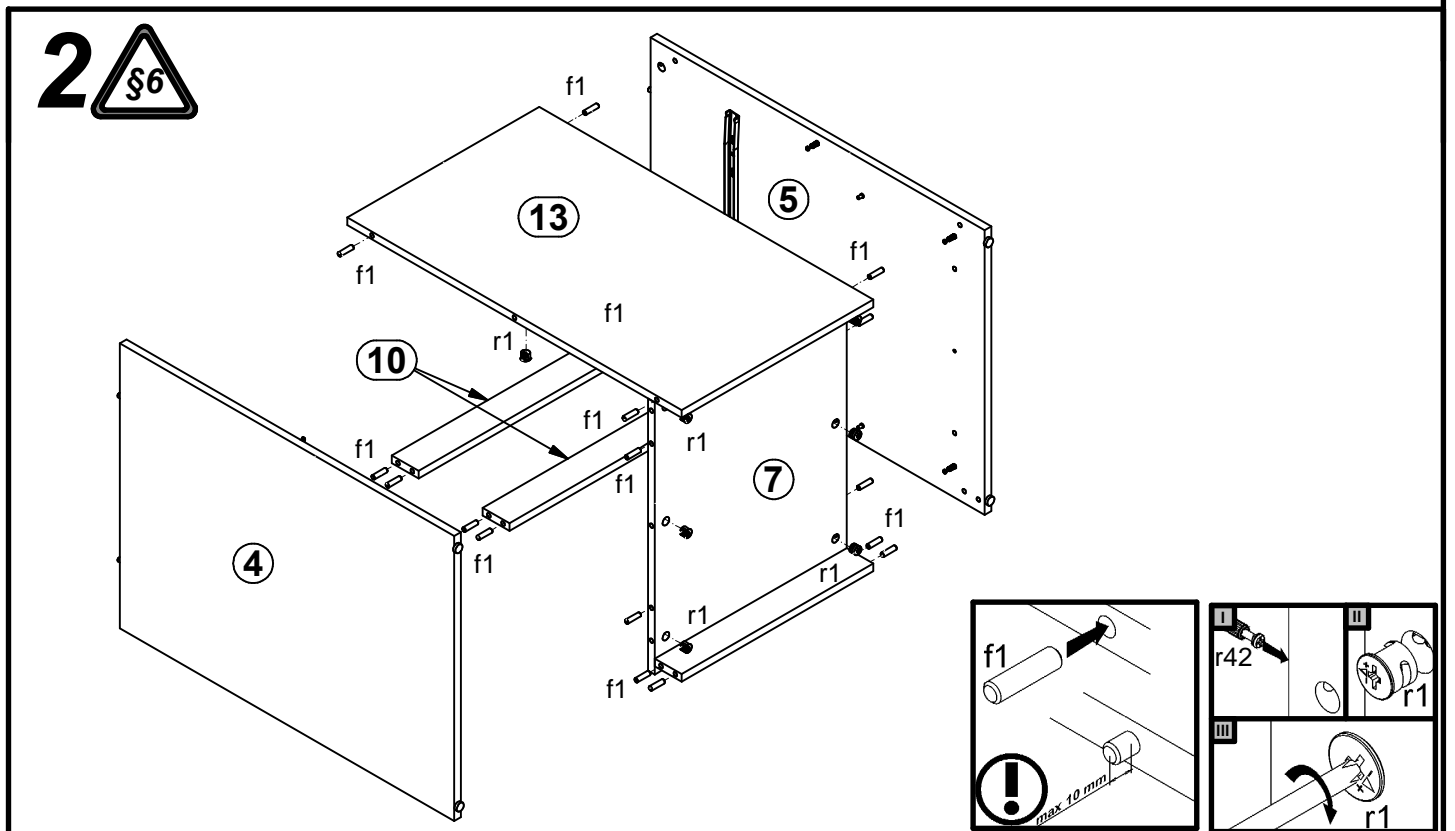
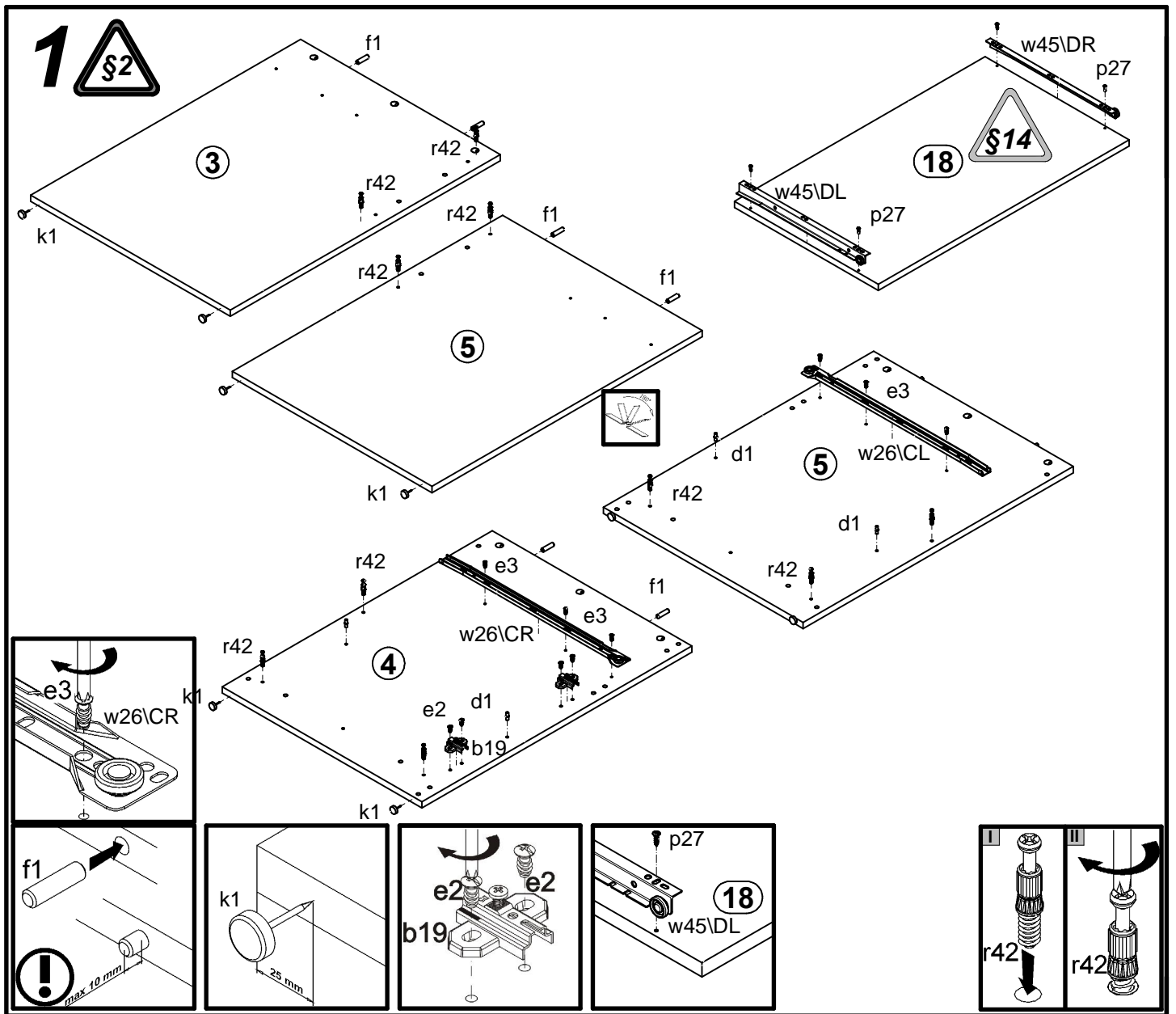


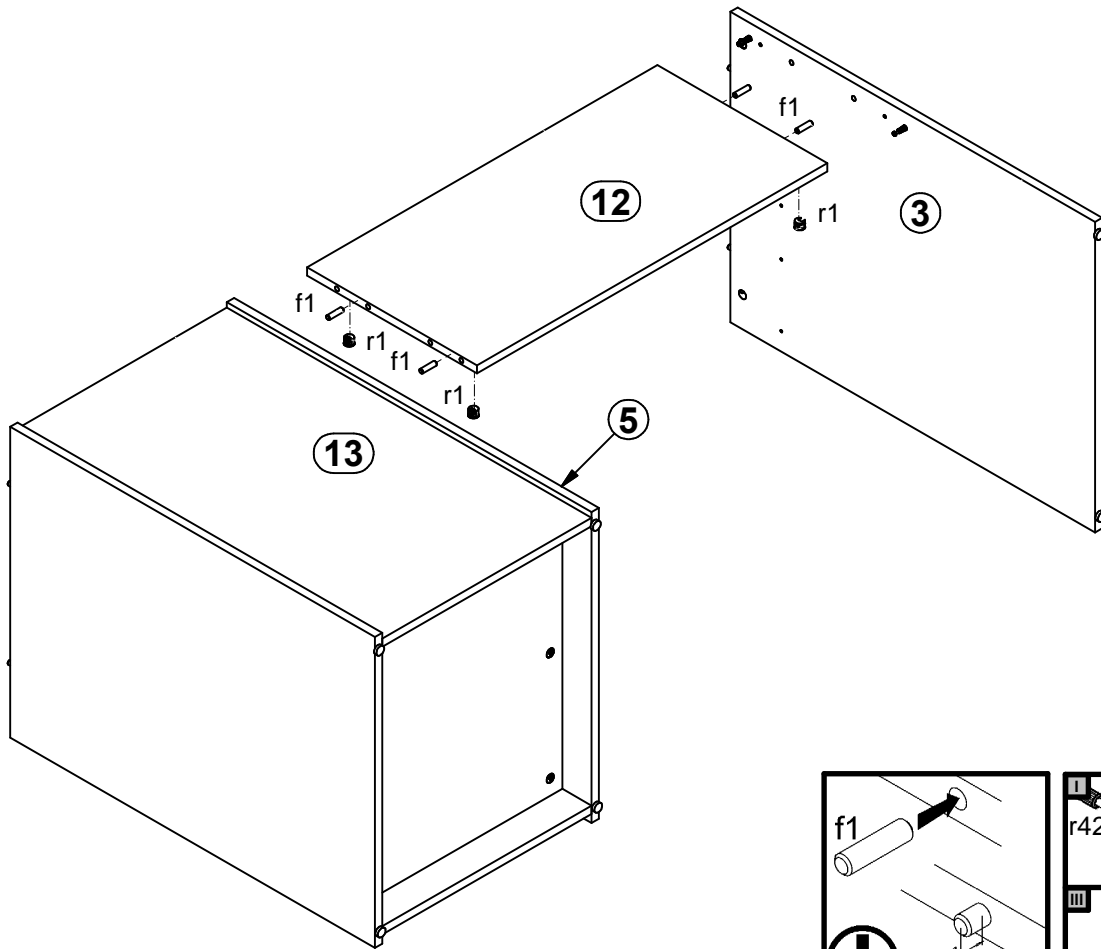
A	B	C	D	A	B	C	D		
1	S162-018	436	472	3/3	10	S162-413	431	60	2/3
2	S162-019	436	176	3/3	11	S162-414	431	60	2/3
3	S162-118	751	555	1/3	12	S162-415	722	350	1/3
4	S162-119	751	555	1/3	13	S162-422	751	431	2/3
5	S162-120	751	555	1/3	14	S162-915	404	505	1/3
6	S162-207	1200	582	2/3	15	ZS3-505	500	120	2/3
7	S162-312	431	530	1/3	16	ZS3-506	500	120	2/3
8	S162-313	430	529	1/3	17	ZS3-5513	381	120	2/3



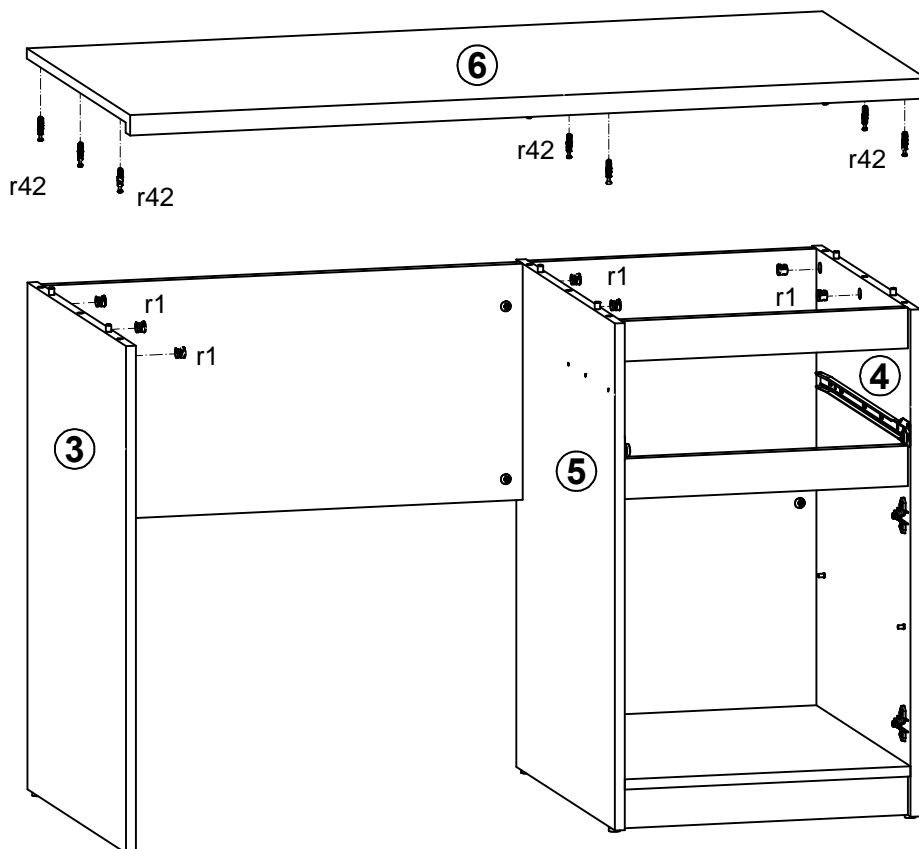
2x a68	2x b19	4x d1 Ø5x17 mm	6x e19 Ø5x9 mm	4x e2 Ø6.3x13 mm	6x e3 Ø6x13 mm	21x r1 Ø15x12 mm #16	4x r15 Ø12x10.5 mm #12	25x r42
9x s2 Ø16	3x p38 Ø3.5x16 mm	4x p51 Ø3.5x15 mm	1x w26\DR 500 mm	1x w26\CL 500 mm	1x w26\CR 500 mm	1x w26\DL 500 mm	30x f1 Ø8x30 mm	4x f25 Ø6.5x40 mm
6x k1								



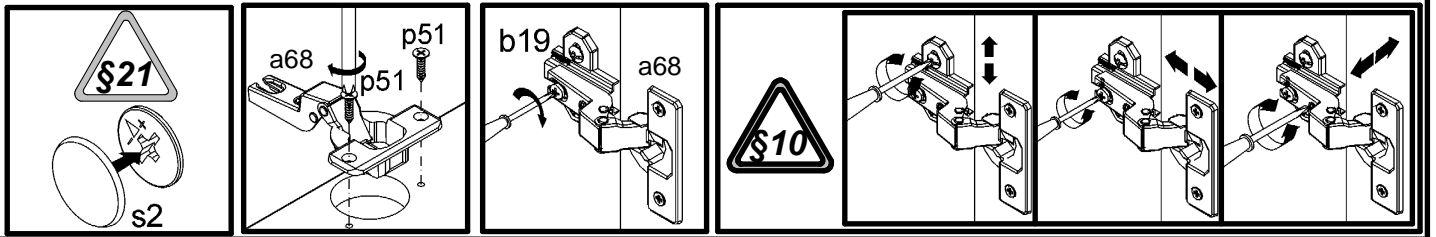
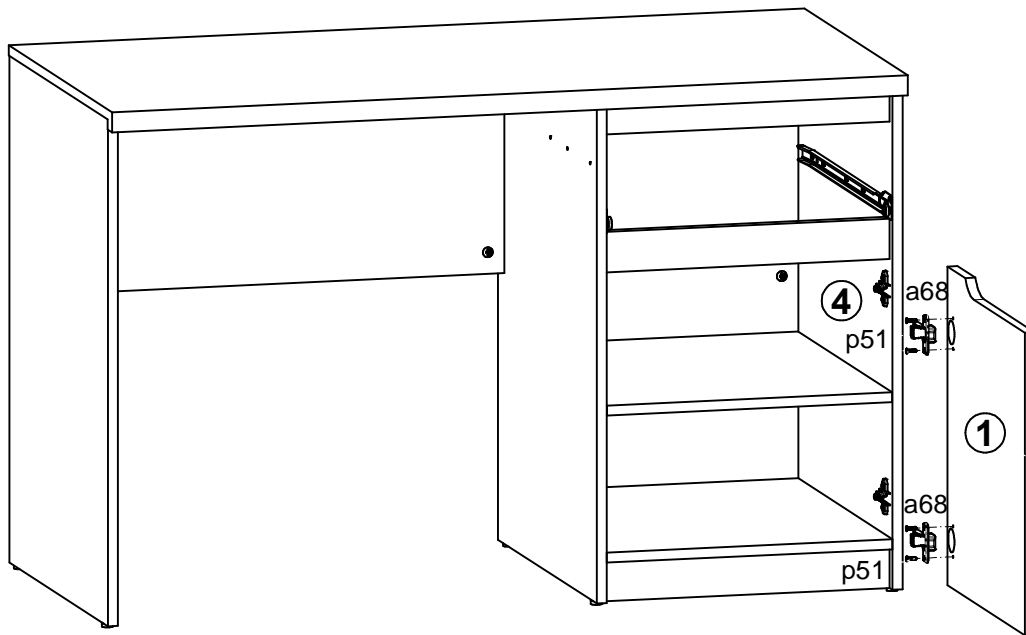
3



4



5



6

