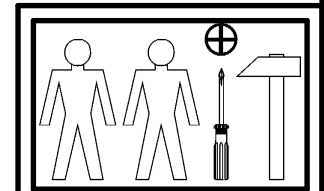
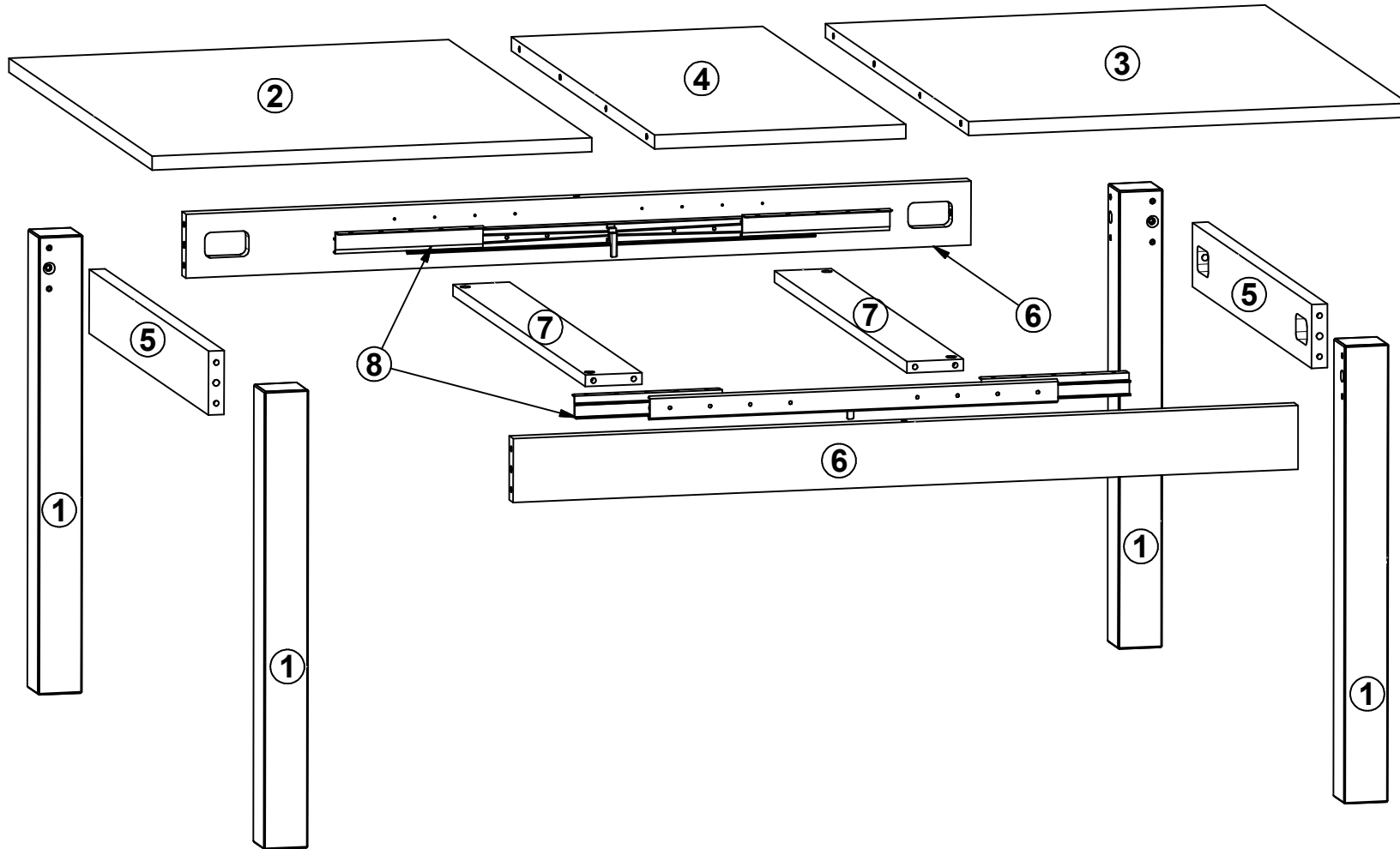
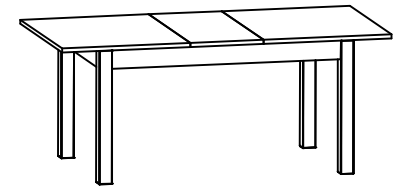


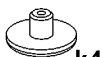




A

LIMES

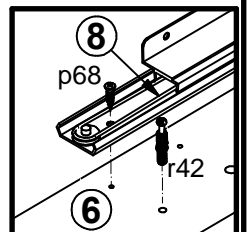
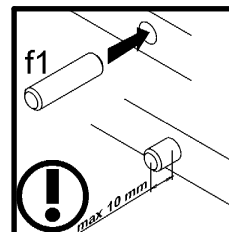
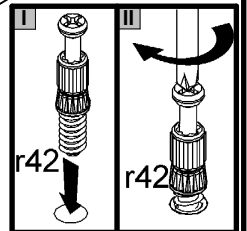
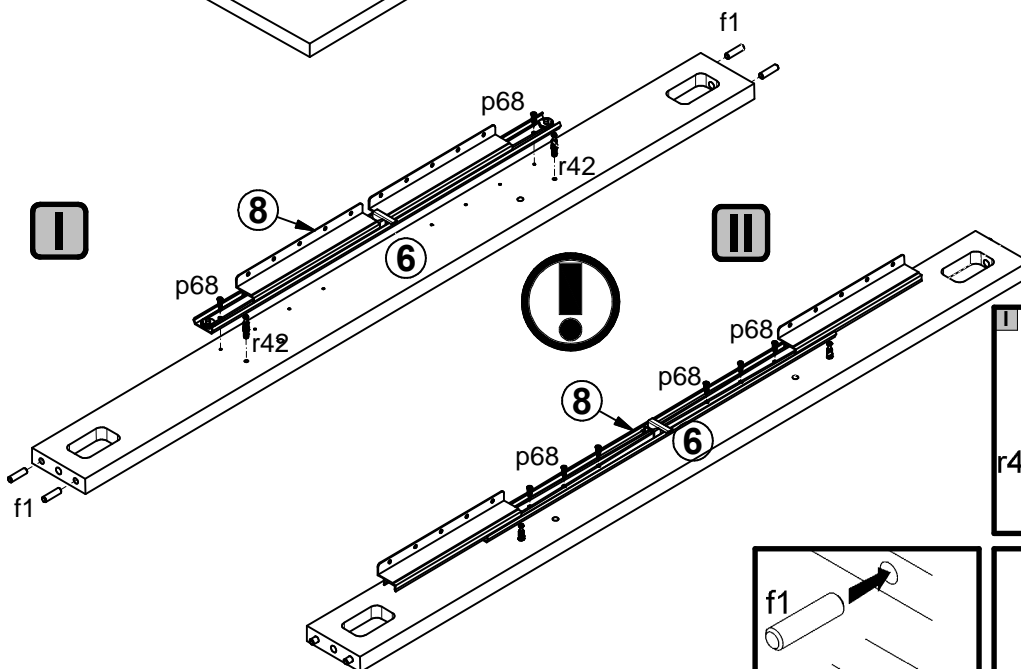
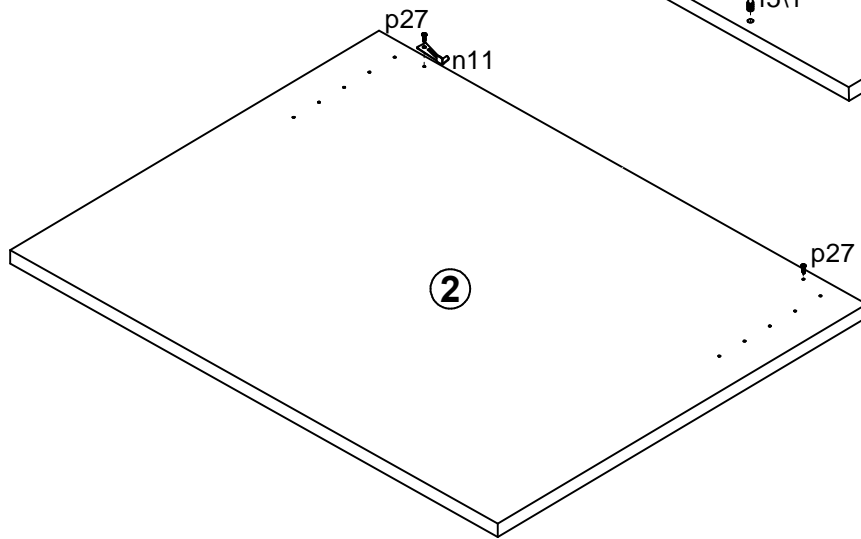
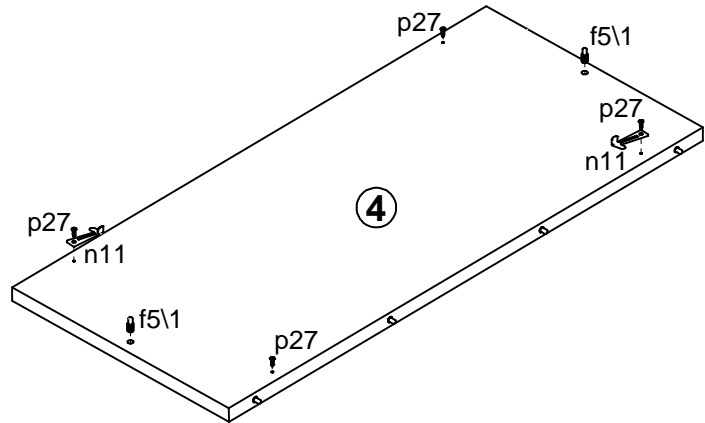
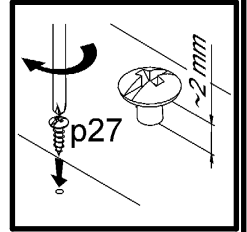
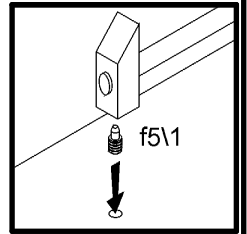
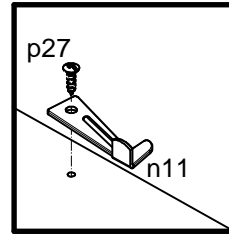
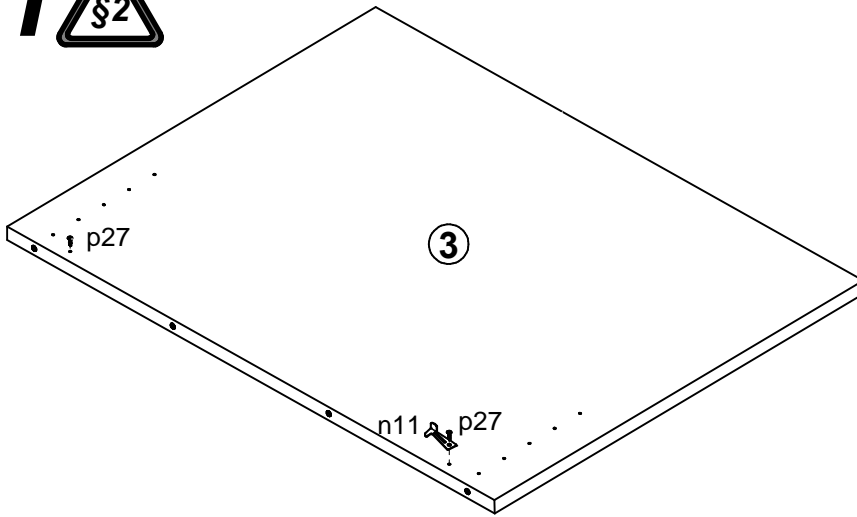
D09-LIMES

A	B	C	D	A	B	C	D		
1	TS1-167	718	70	2/3	5	TS1-493	750	100	3/3
2	TS1-286	900	700	1/3	6	TS1-494	1250	100	3/3
3	TS1-287	900	700	1/3	7	TS1-495	832	90	3/3
4	TS1-288	900	400	1/3	8	w131	650		3/3

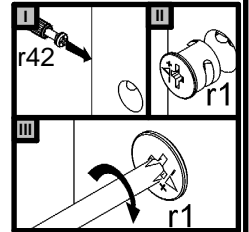
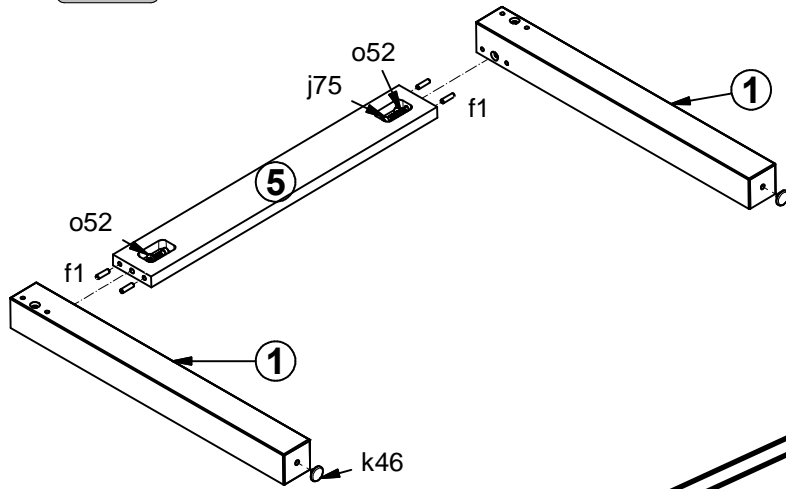
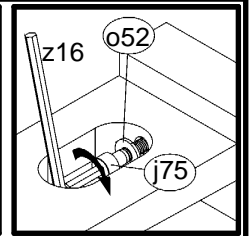
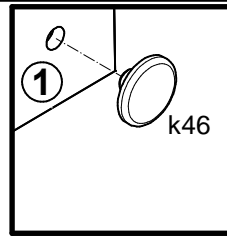


- 20x 
Ø8x30 mm **f1**
- 2x 
f511
- 8x 
M8x45 mm **j75**
- 4x 
k46
- 4x 
n11
- 8x 
Ø8/Ø22x2 mm **o52**
- 8x 
Ø3.5x13 mm **p27**
- 36x 
Ø4x20 mm **p68**
- 4x 
Ø15x12 mm #16 **r1**
- 4x 
r42
- 1x 
z16

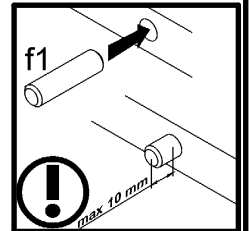
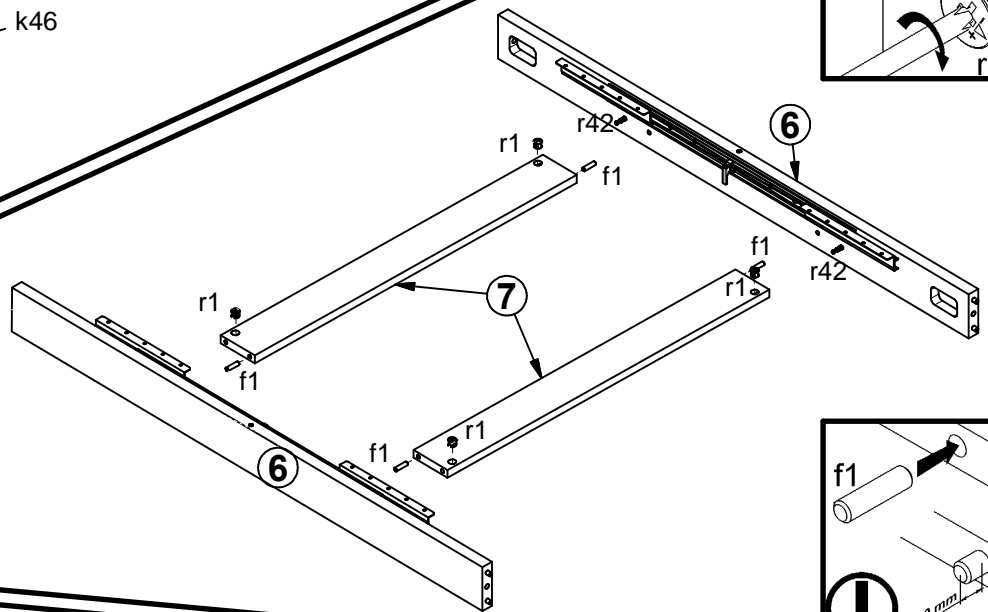
1 



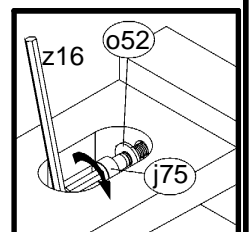
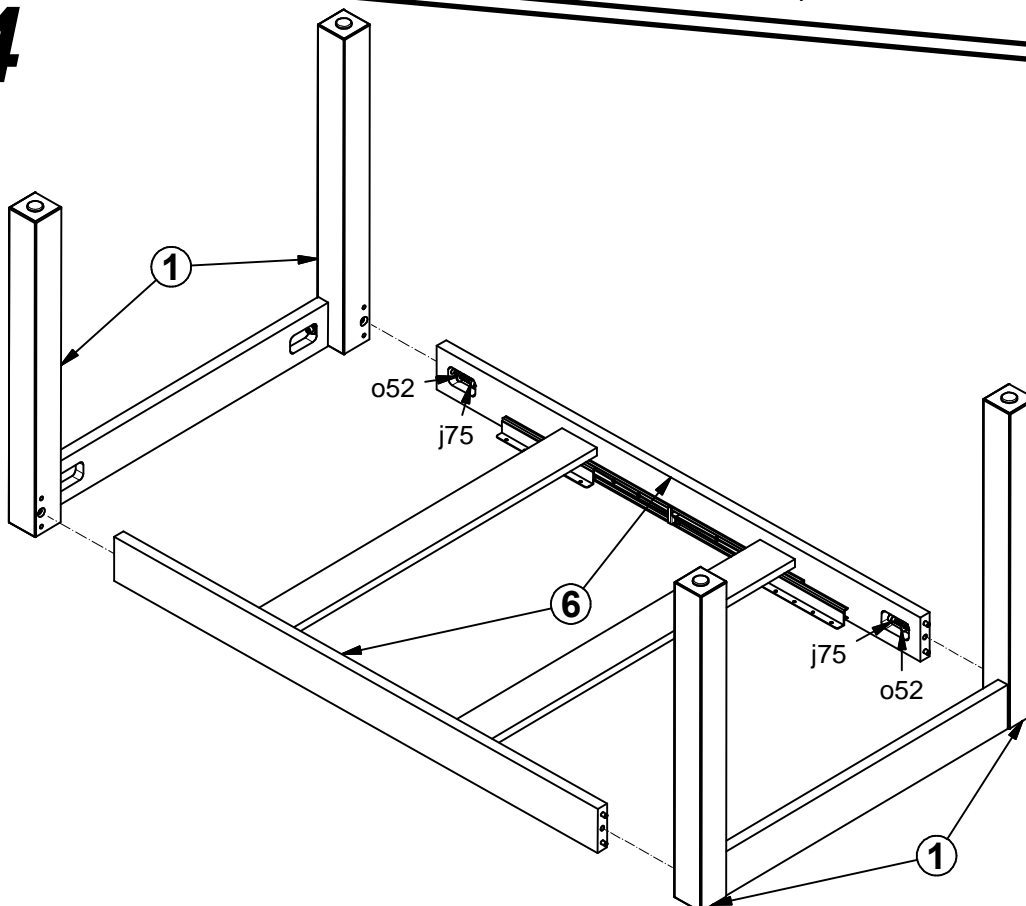
2  S6



3

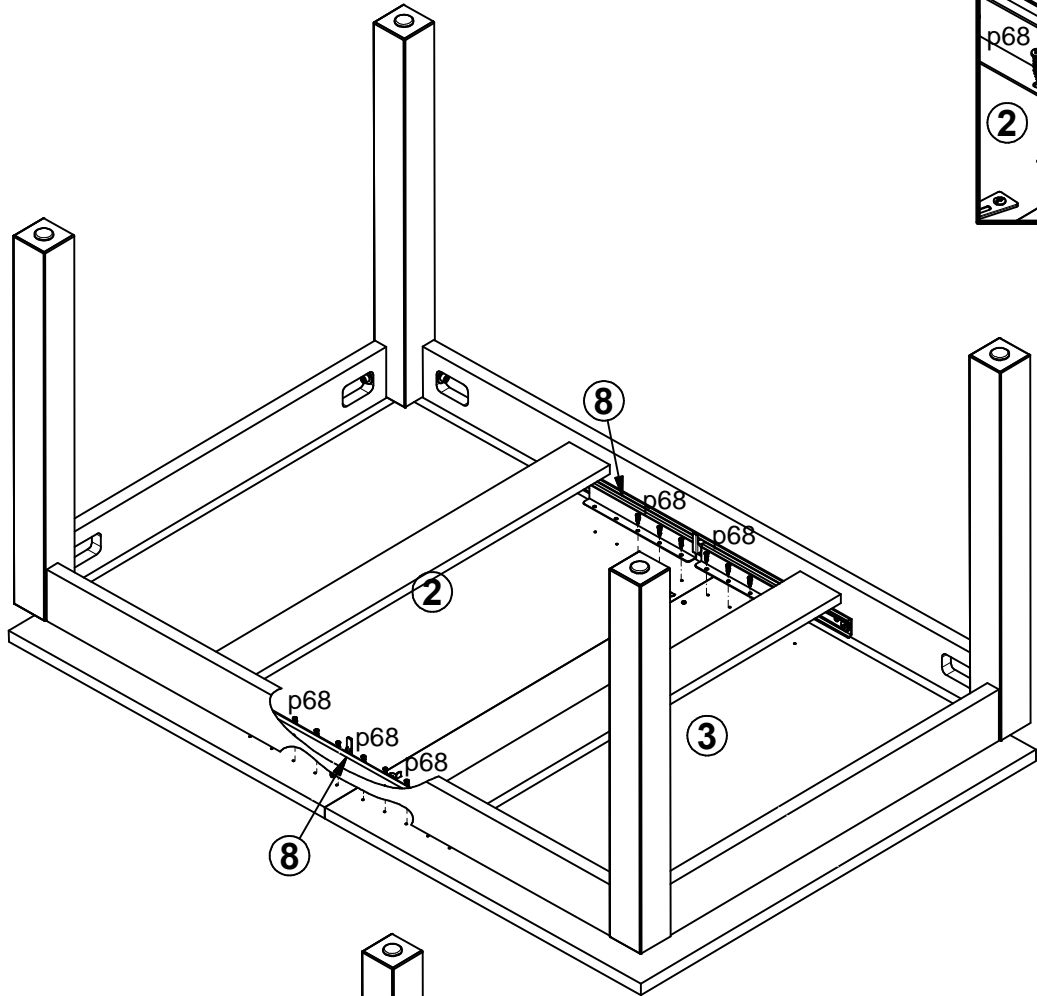


4

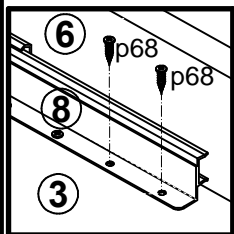
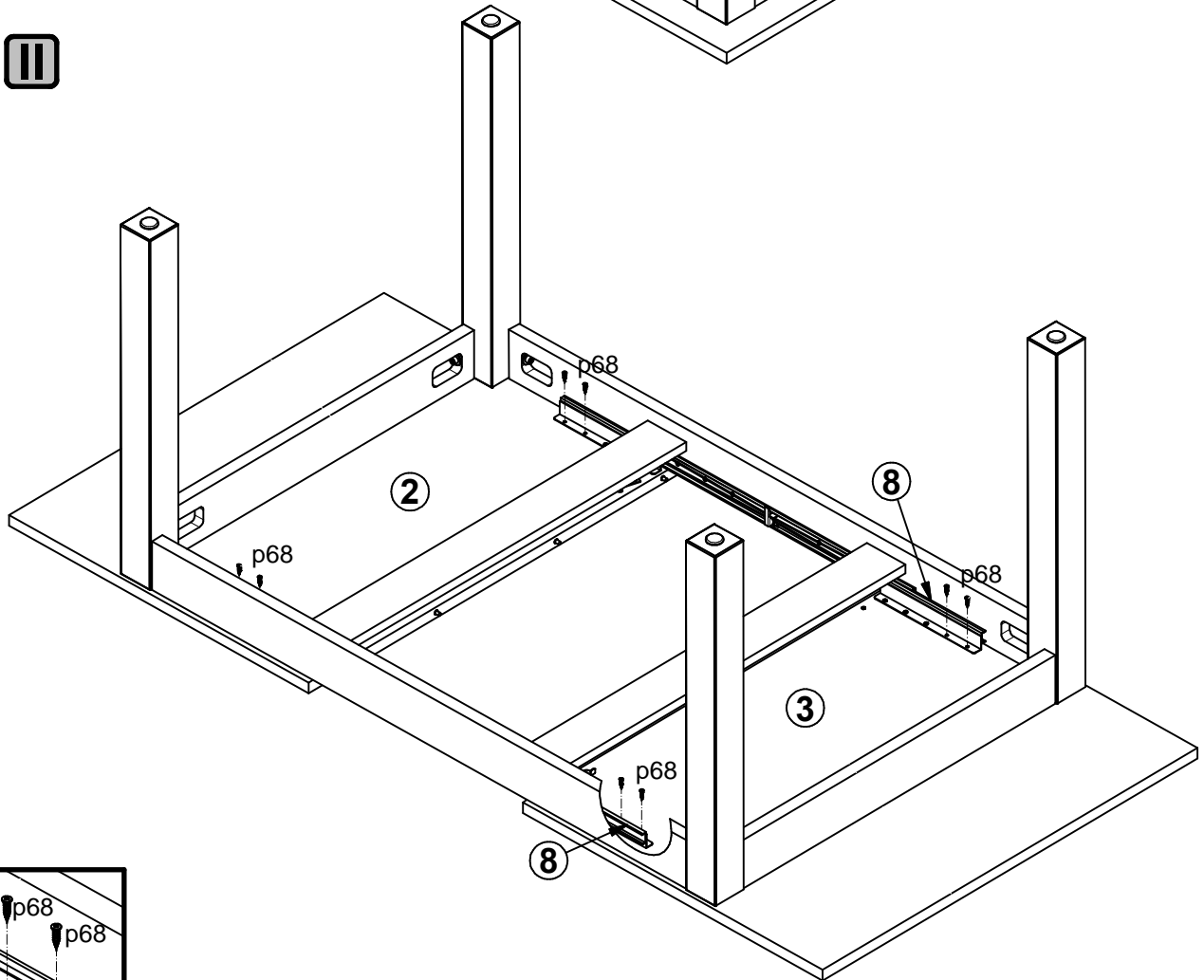


5

I



II



6

