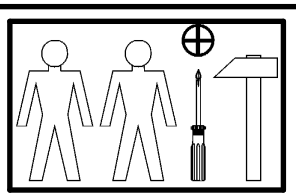
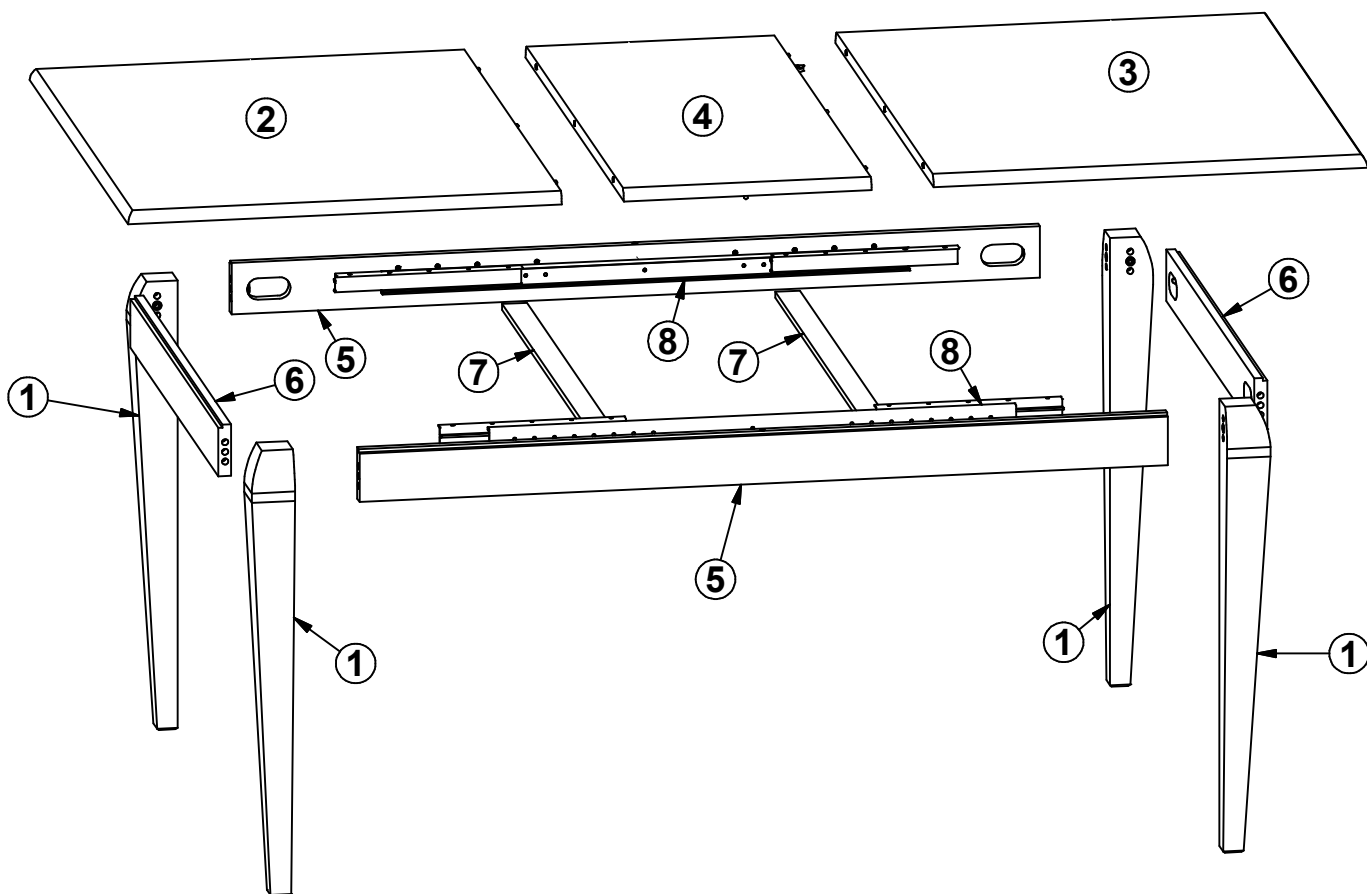
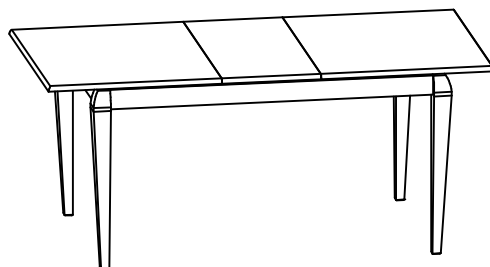


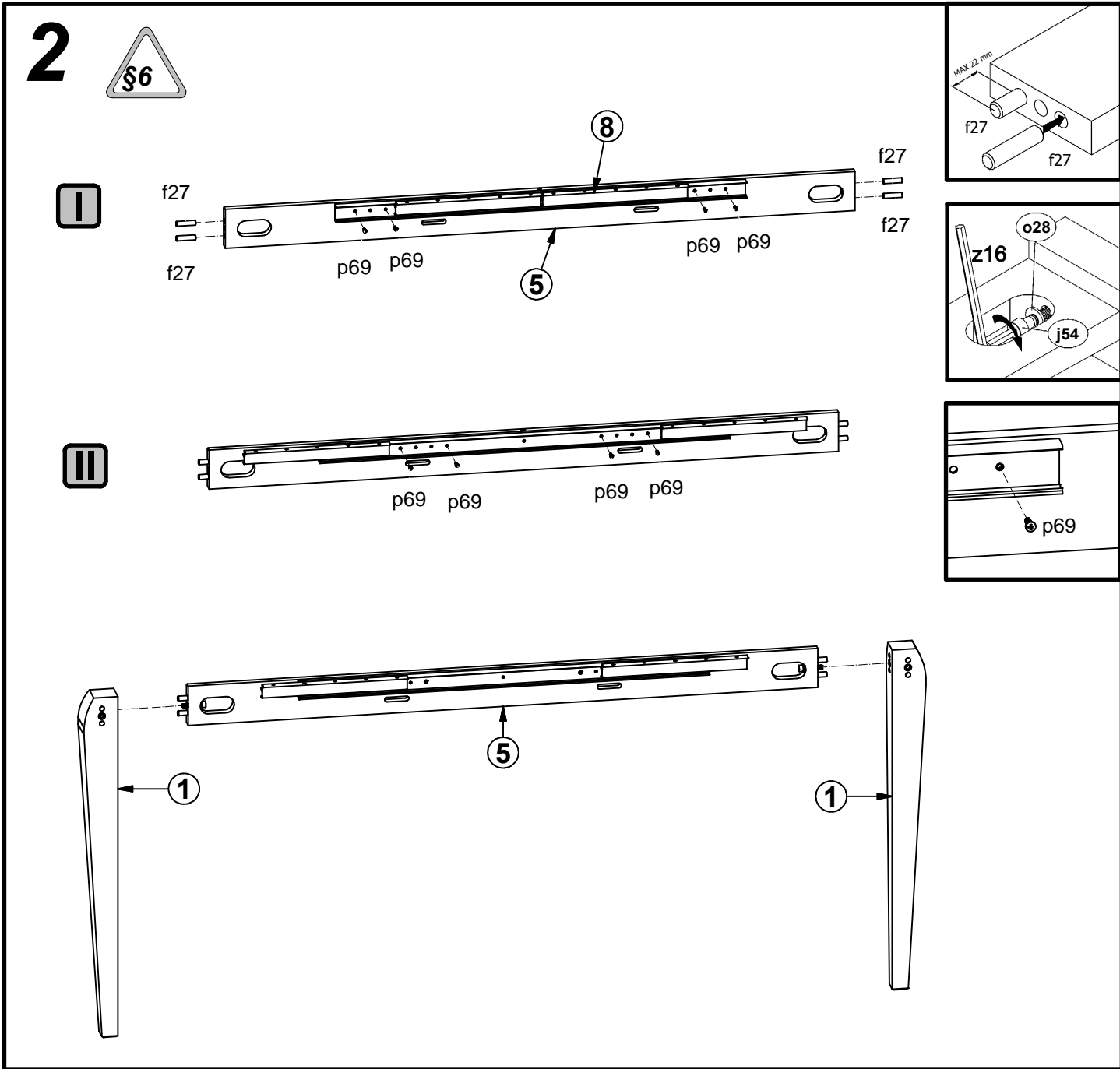
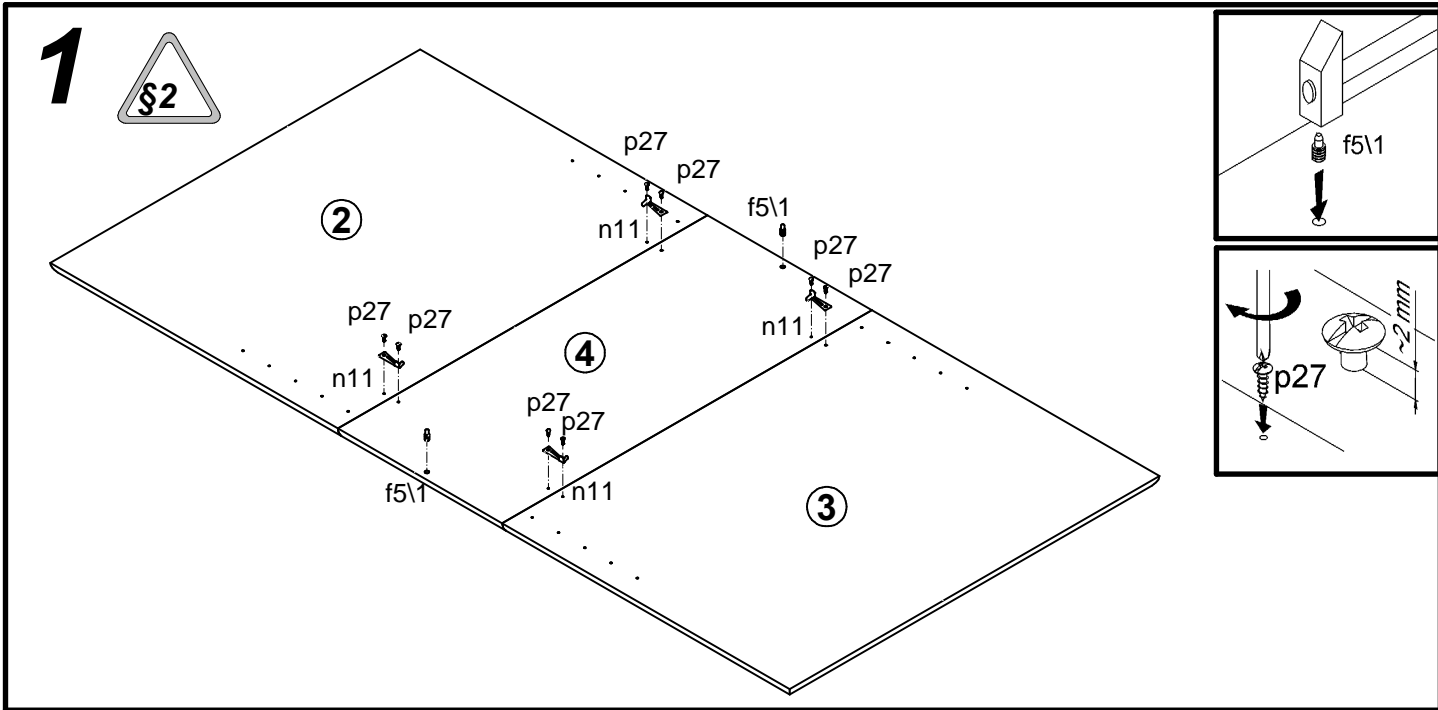
# LOREN

S163-STO\_140

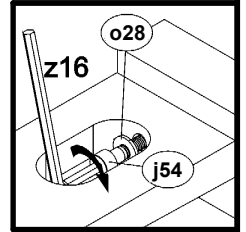
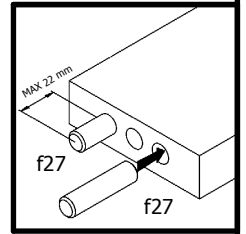
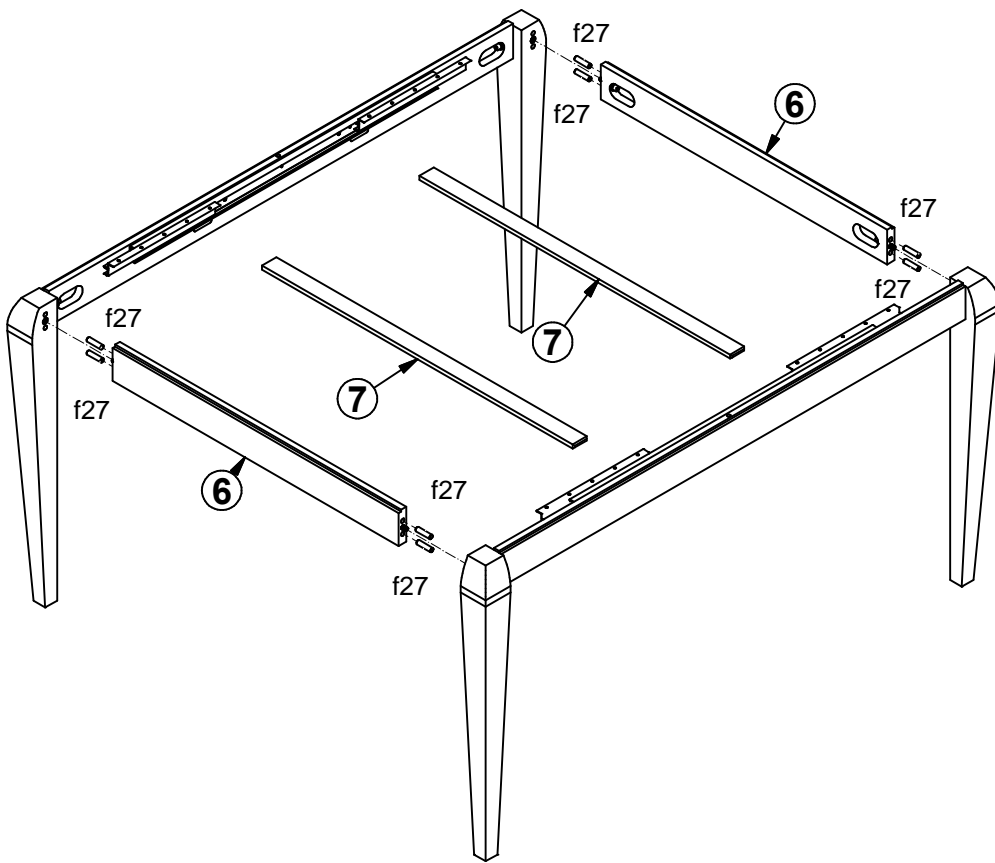
A	B	C	D	
1	S163-136	740	70	2/2
2	S163-201	700	900	1/2
3	S163-202	700	900	1/2
4	S163-203	400	900	1/2
5	S163-417	1304	85	2/2
6	S163-418	804	85	2/2
7	S163-419	878	40	2/2
8	w8			2/2



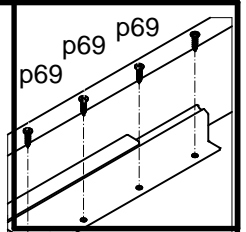
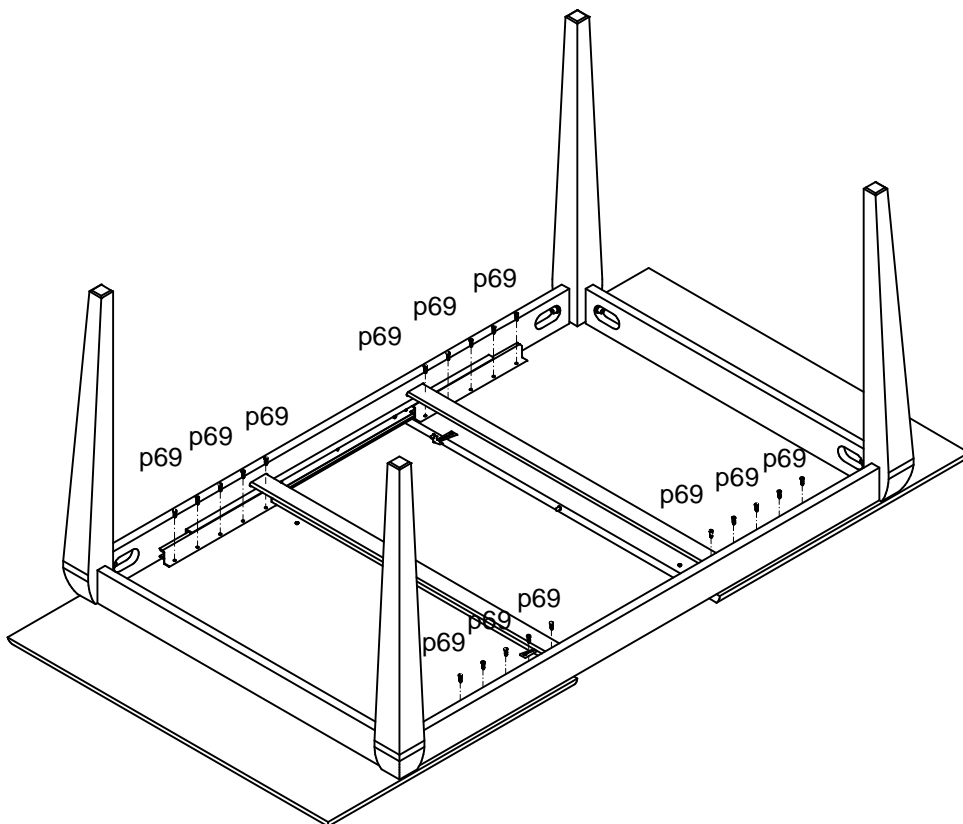
2x metalowy f51	16x φ10x40 mm f27	8x M8x40 mm j54	8x φ8/φ17x1.8 mm o28	36x Ø4x16 mm p69	4x n11	8x φ3,5x13 mm p27	1x 6mm z16
-----------------------	-------------------------	-----------------------	----------------------------	------------------------	-----------	-------------------------	------------------



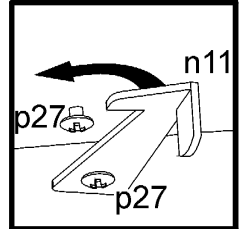
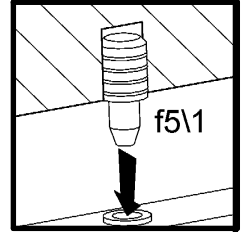
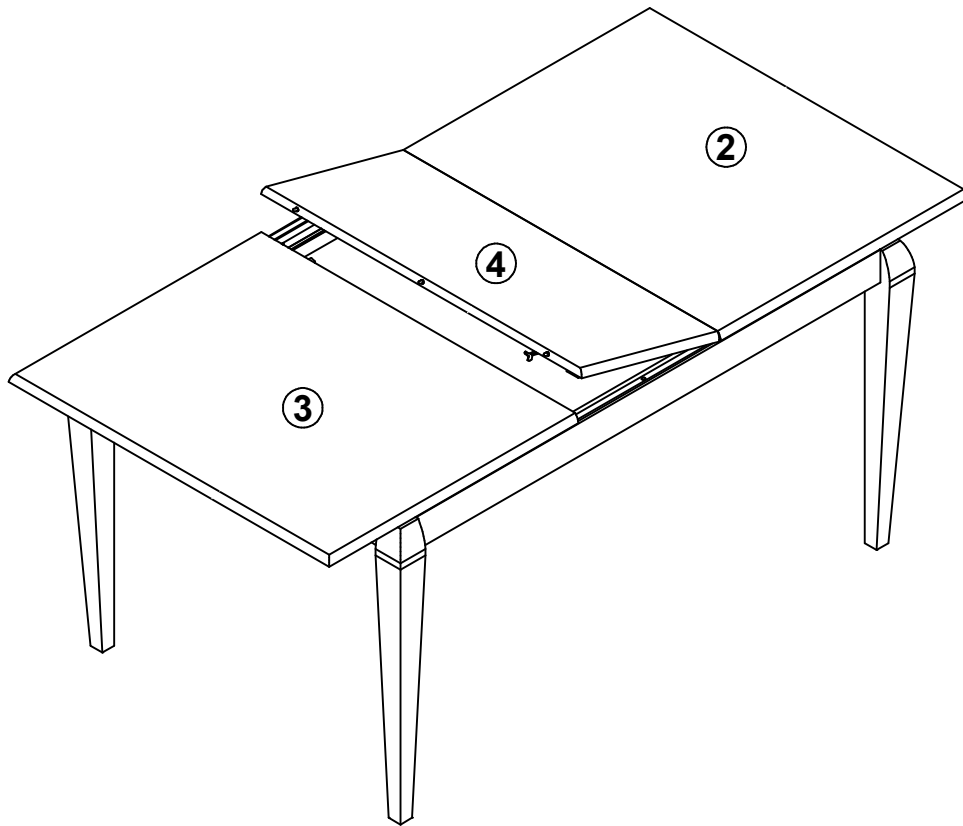
# 3



# 4



# 5



# 6

