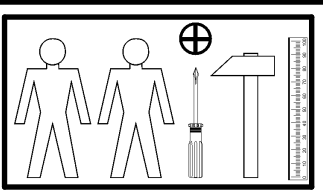
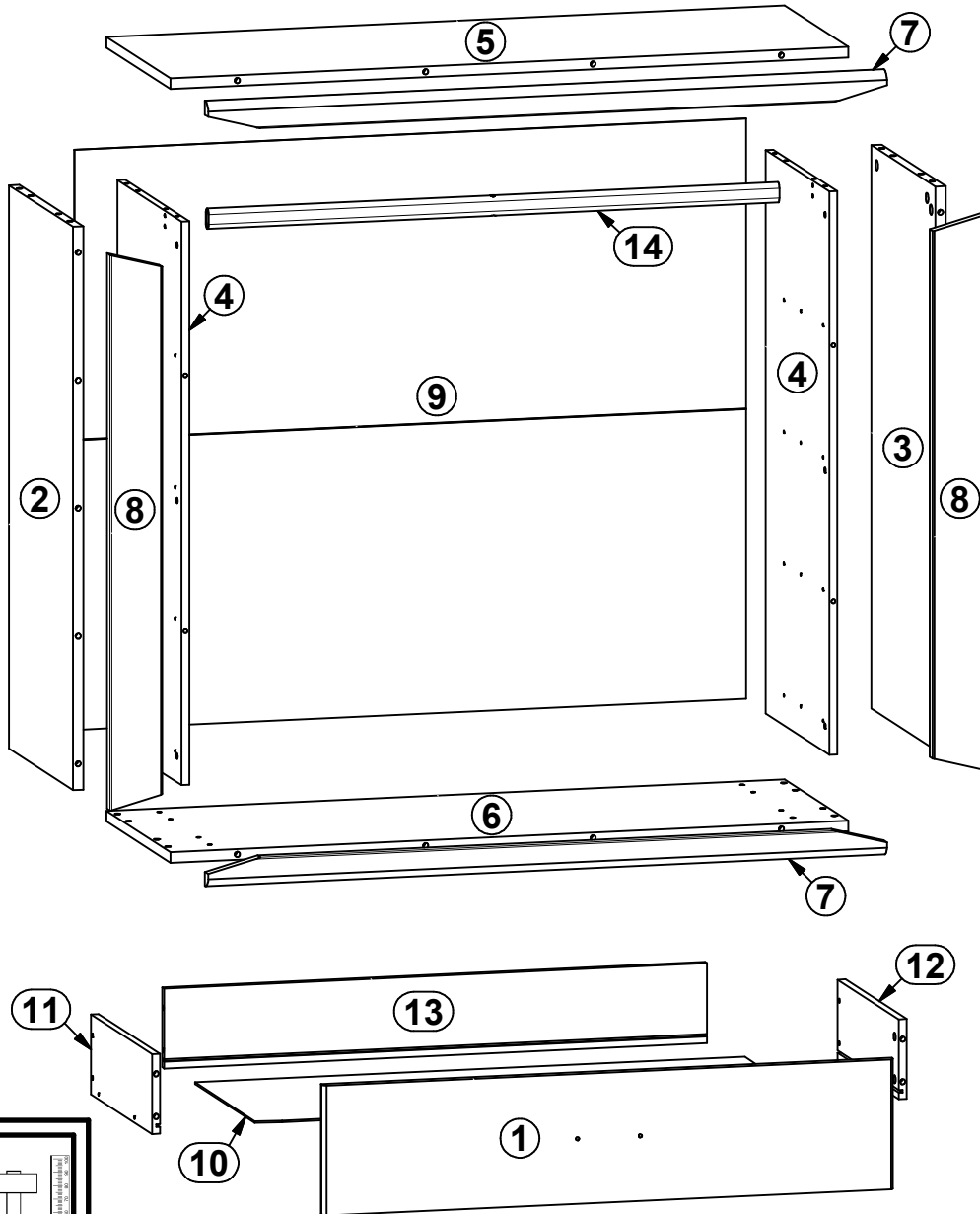
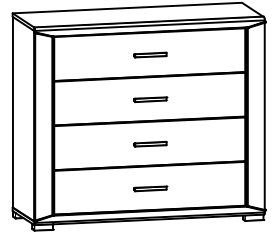


PALEMO

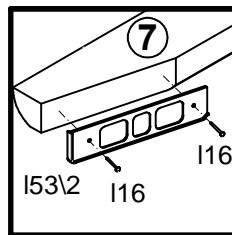
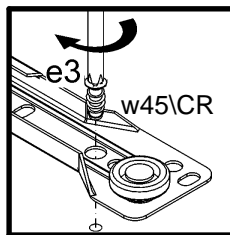
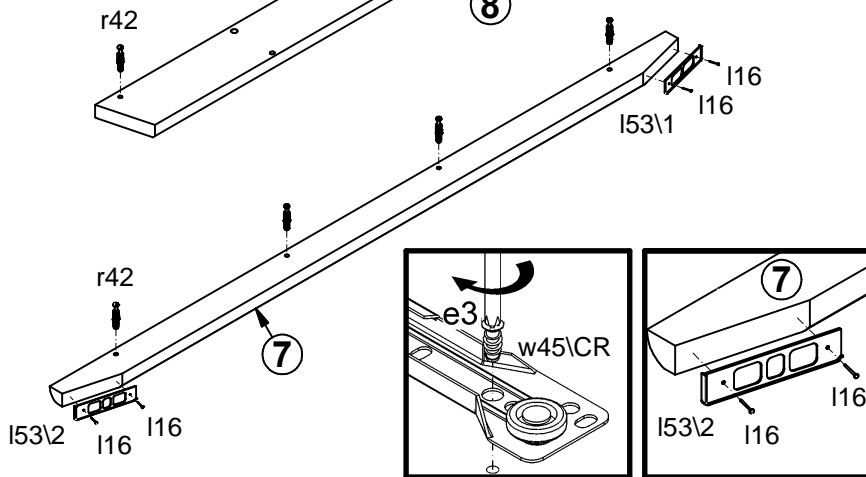
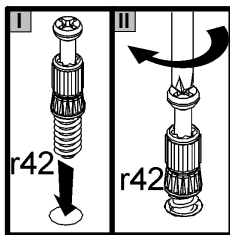
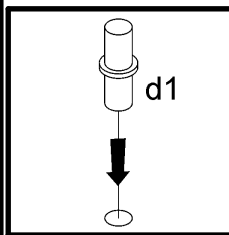
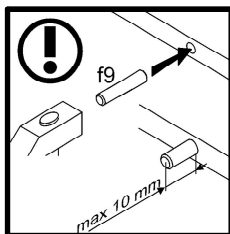
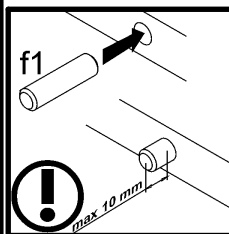
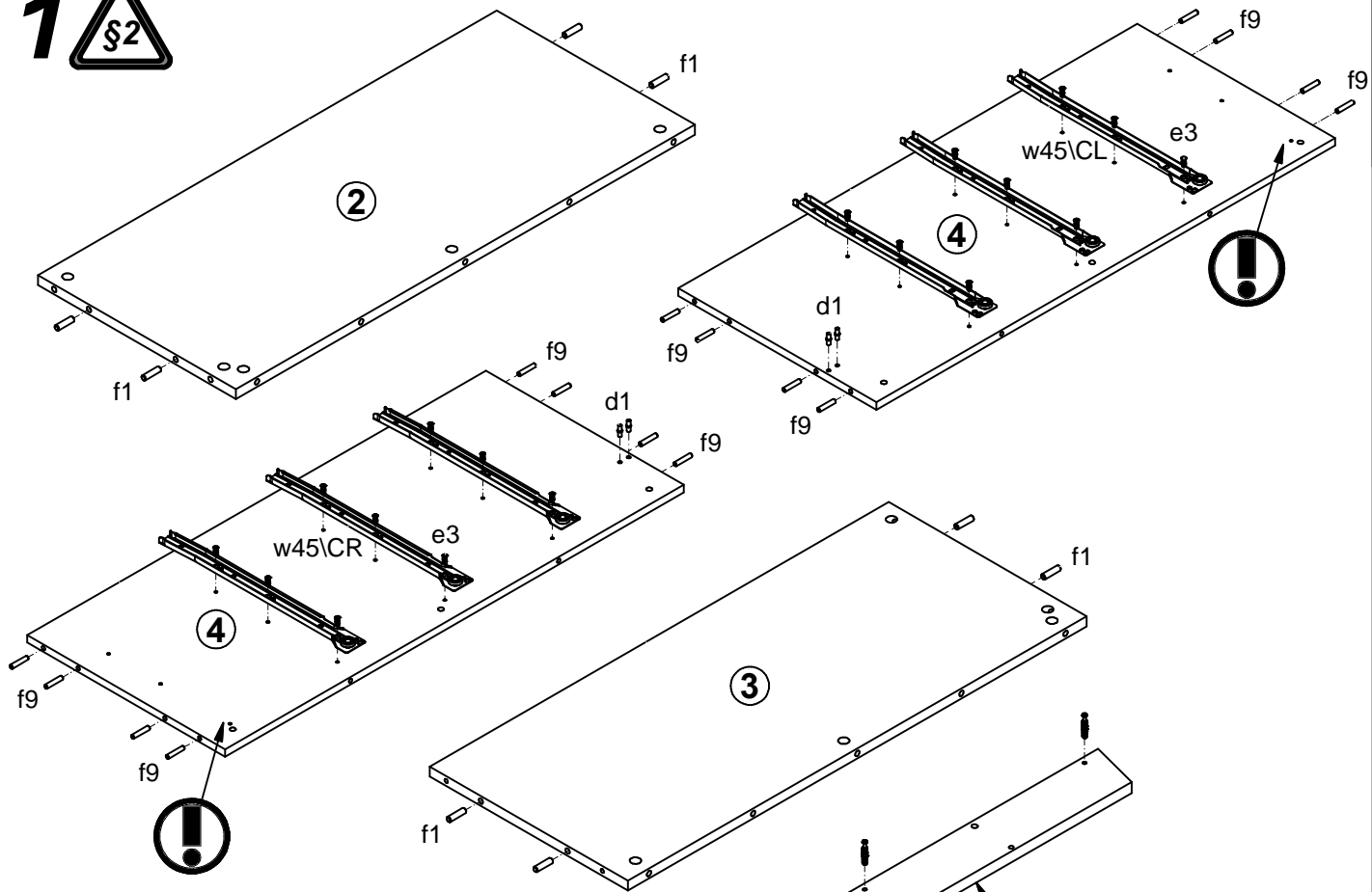
S159-KOM4S/100

A	B	C	D	A	B	C	D		
1	S159-001	873	195	3/3	8	S159-572	834	80	2/3
2	S159-101	846	365	1/3	9	S159-901	1027	871	1/3
3	S159-102	846	365	1/3	10	S159-902	841	348	1/3
4	S159-103	846	365	1/3	11	ZS2-511	350	120	1/3
5	S159-201	1037	365	1/3	12	ZS2-512	350	120	1/3
6	S159-202	1037	365	1/3	13	ZS2-5590	830	120	1/3
7	S159-571	1038	42	2/3	14	wp-873	873	30	1/3



4x c335	4x φ5x17 mm d1	2x d19	4x φ7x50 mm e1	16x φ5x9 mm e19	24x φ6x13 mm e3	12x φ8x30 mm f1	16x φ6.5x40 mm f25	20x φ6x30 mm f9
4x 84x40.25mm k77	40x l1	8x 1.0x12 mm l16	2x l53\1	2x l53\2	8x φ3.5x16 mm p25	8x φ4x25 mm p36	8x φ4x22 mm p60	18x φ1.5x12mm #16 r1
16x φ12x10.5mm #12 r15	34x r42	4x 333 mm t19	4x 350 mm w45\CL	4x 350 mm w45\CR	4x 350 mm w45\DL	4x 350 mm w45\DR	1x z1	1x n26\1
1x φ3.5x16 mm p38								

1



2

