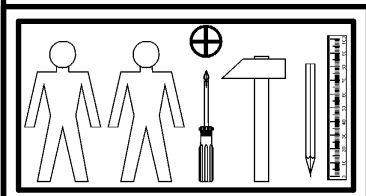
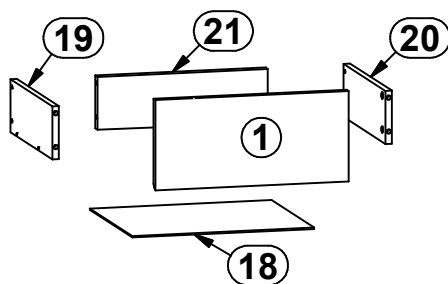
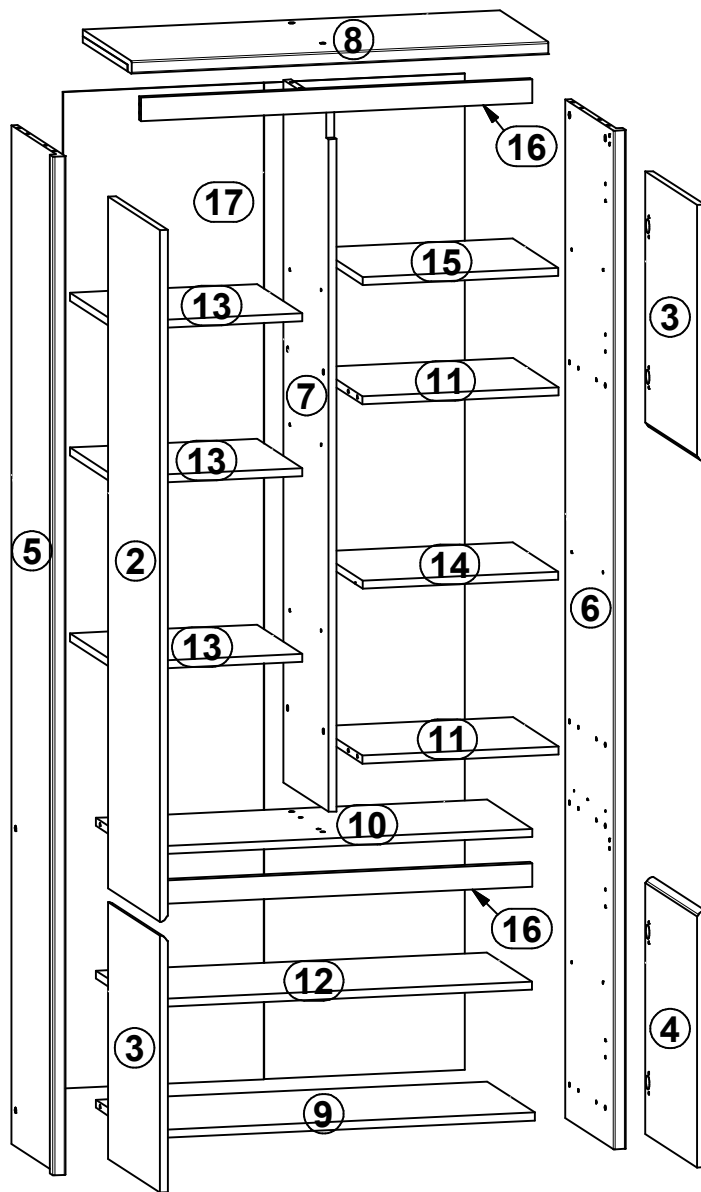
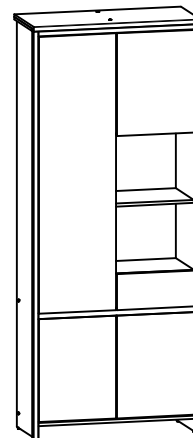


# NUMLOCK

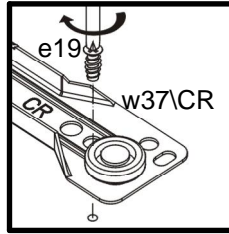
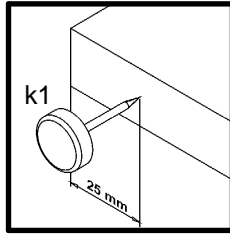
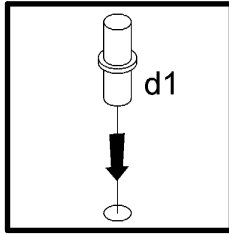
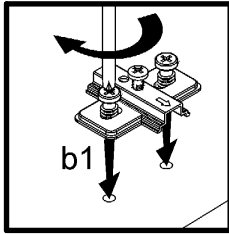
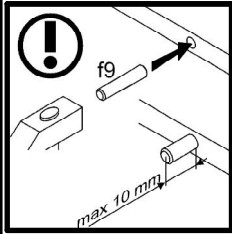
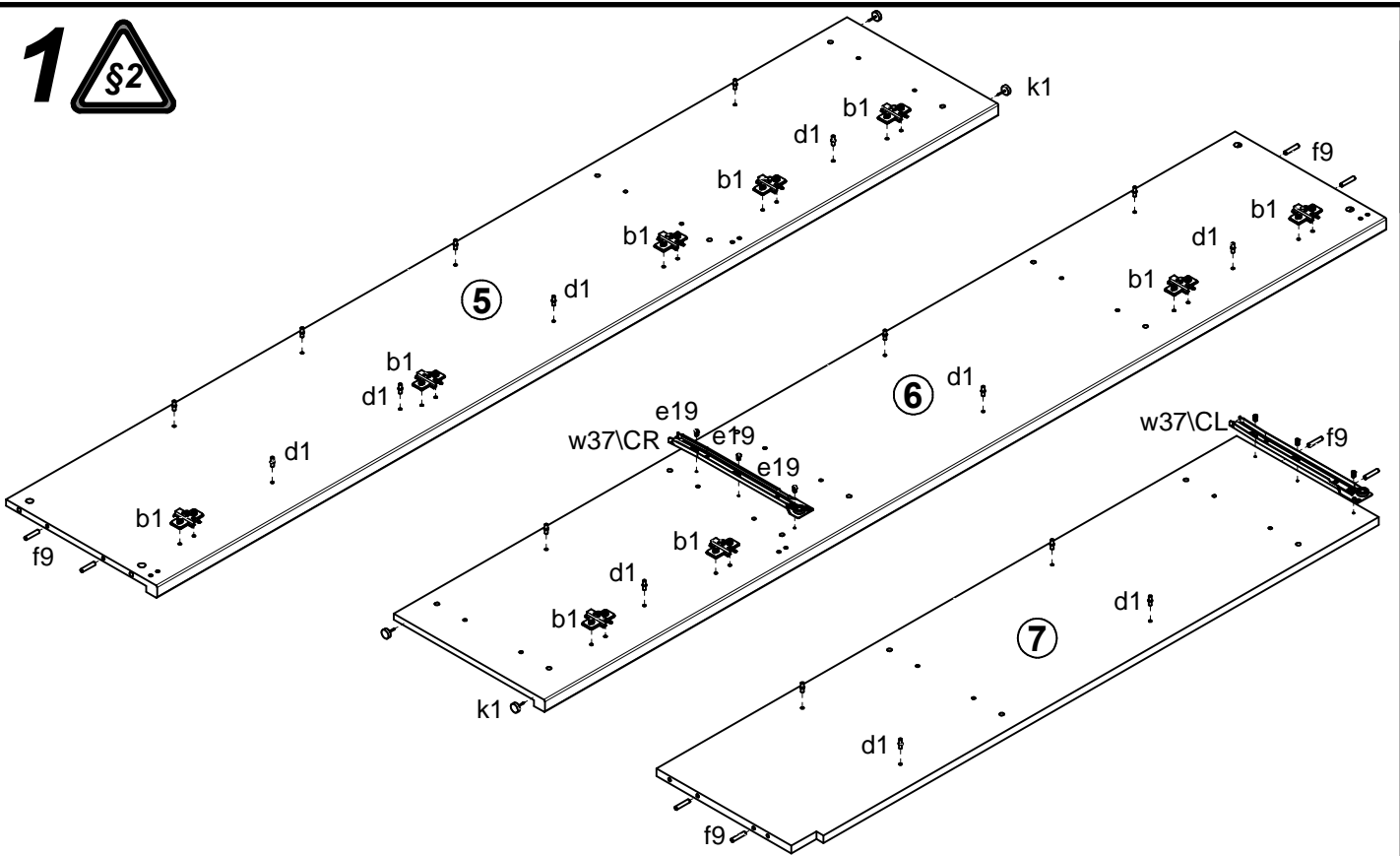
## S161-REG4D1S

A	B	C	D	A	B	C	D		
1	S161-007	371	170	3/3	12	S161-313	750	324	2/3
2	S161-010	1304	371	3/3	13	S161-314	359	324	2/3
3	S161-013	484	371	3/3	14	S161-315	375	324	2/3
4	S161-014	484	371	3/3	15	S161-316	375	324	2/3
5	S161-120	1920	345	1/3	16	S161-401	751	44	1/3
6	S161-121	1920	345	1/3	17	S161-905	1878	771	1/3
7	S161-122	1324,5	324	1/3	18	S161-913	349	305	1/3
8	S161-207	800	348	2/3	19	ZS3-511	300	100	1/3
9	S161-301	751	342	2/3	20	ZS3-512	300	100	1/3
10	S161-311	751	324	2/3	21	ZS3-5504	327	100	1/3
11	S161-312	376	324	2/3					

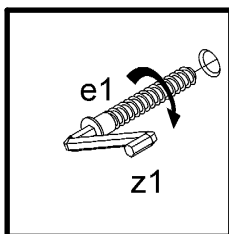
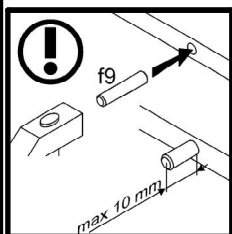
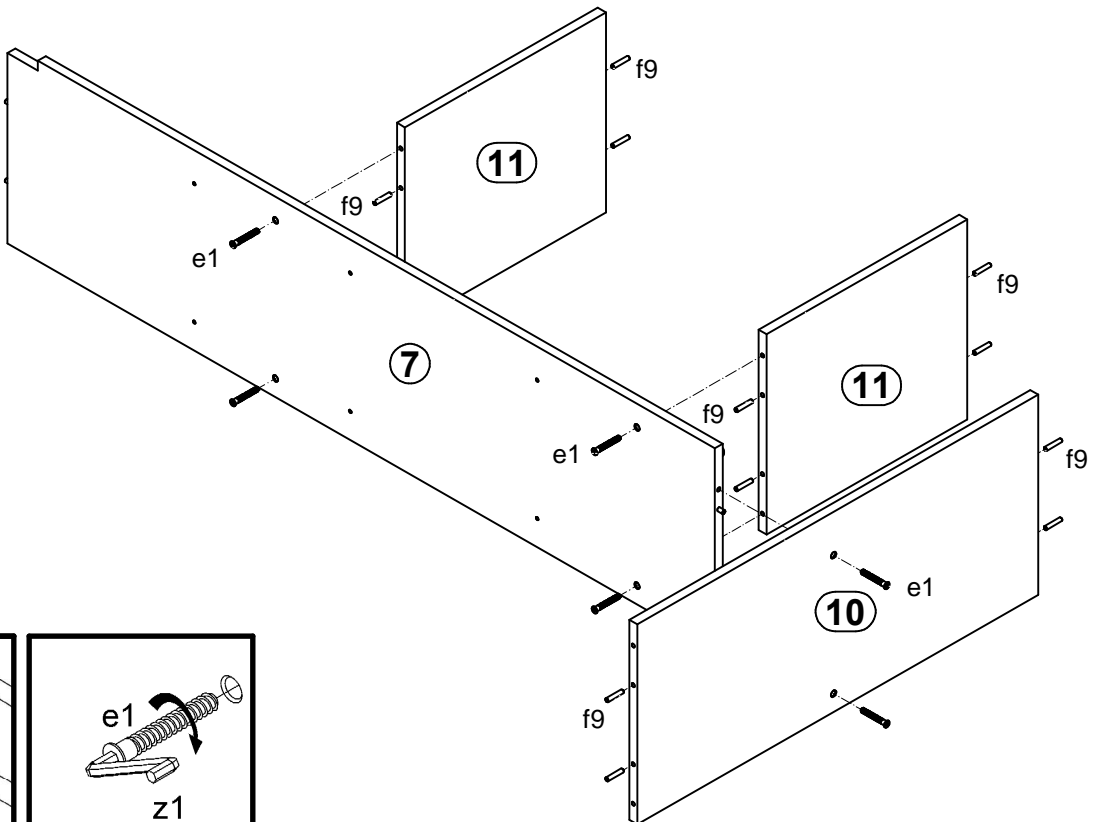


9x  a1	9x  b1	24x  Ø5x17 mm d1	20x  Ø7x50 mm e1	10x  Ø5x9 mm e19	4x  Ø6,5x40 mm f25	32x  Ø6x30 mm f9	4x  k1	70x  l1
3x  Ø3,5x16 mm p38	8x  Ø12x10,5 mm #12 r15	8x  r42	1x  300 mm w37/CL	1x  300 mm w37/CR	1x  300 mm w37/DL	1x  300 mm w37/DR	16x  s1	4x  Ø12 s34
1x  z1	1x  n26/1	1x  Ø3,5x16 mm p38						

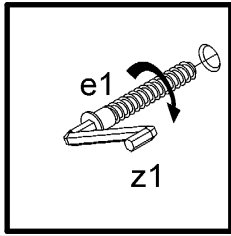
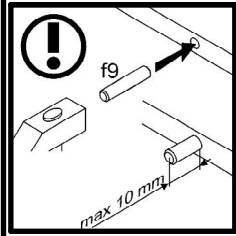
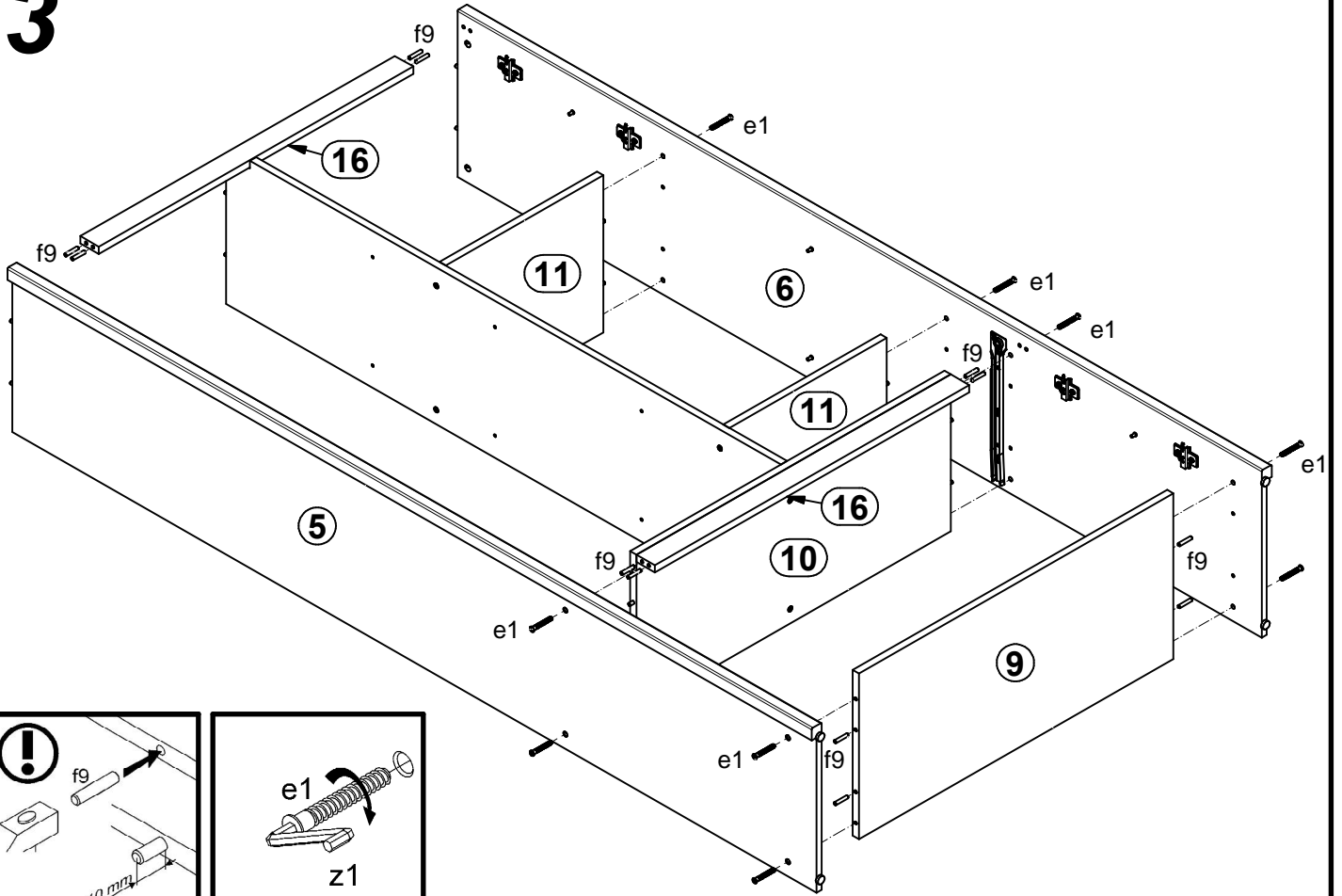
# 1 §2



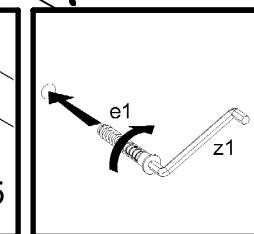
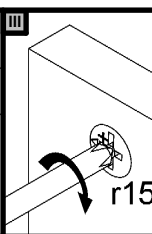
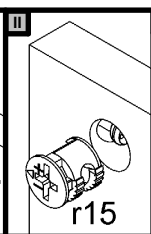
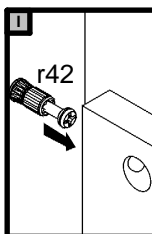
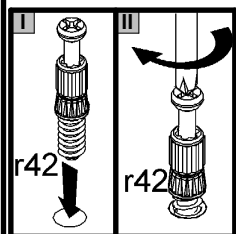
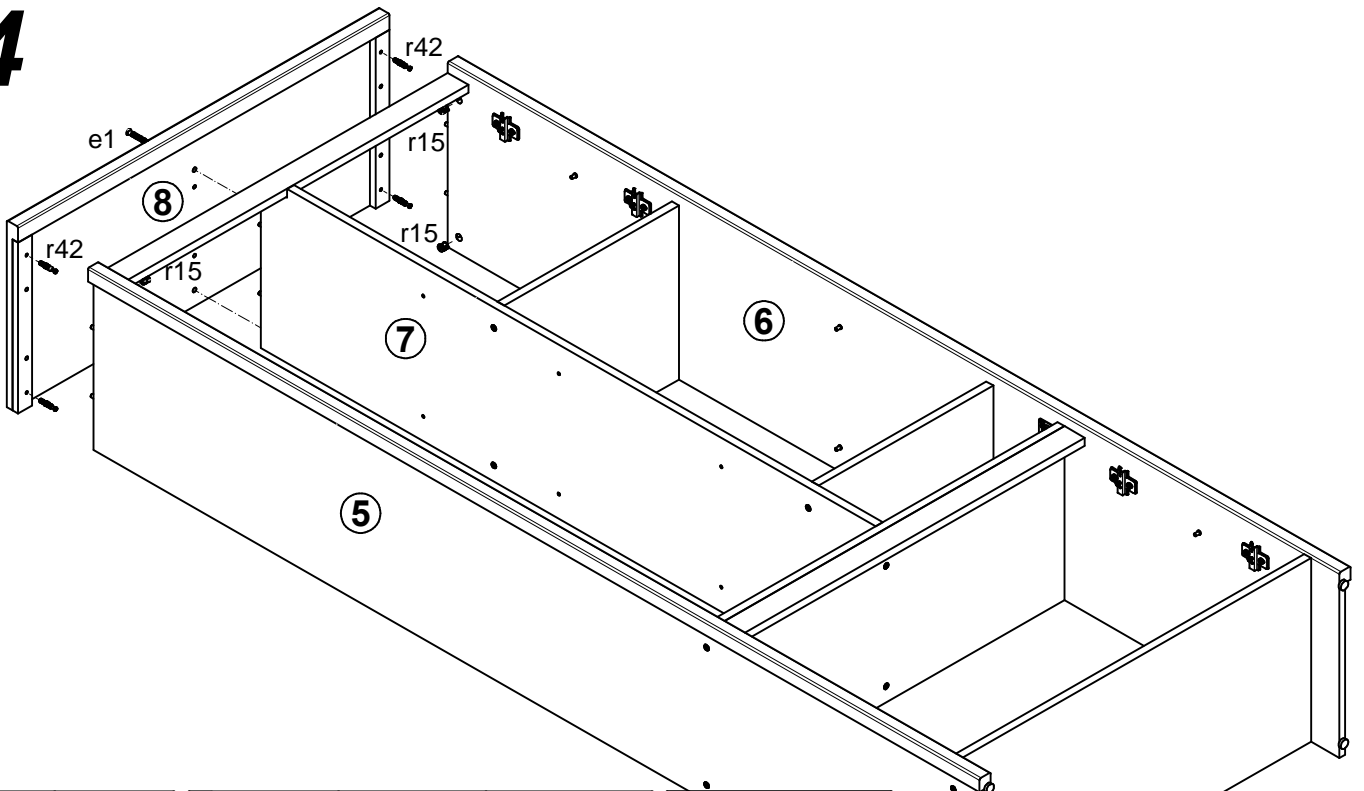
# 2 §6

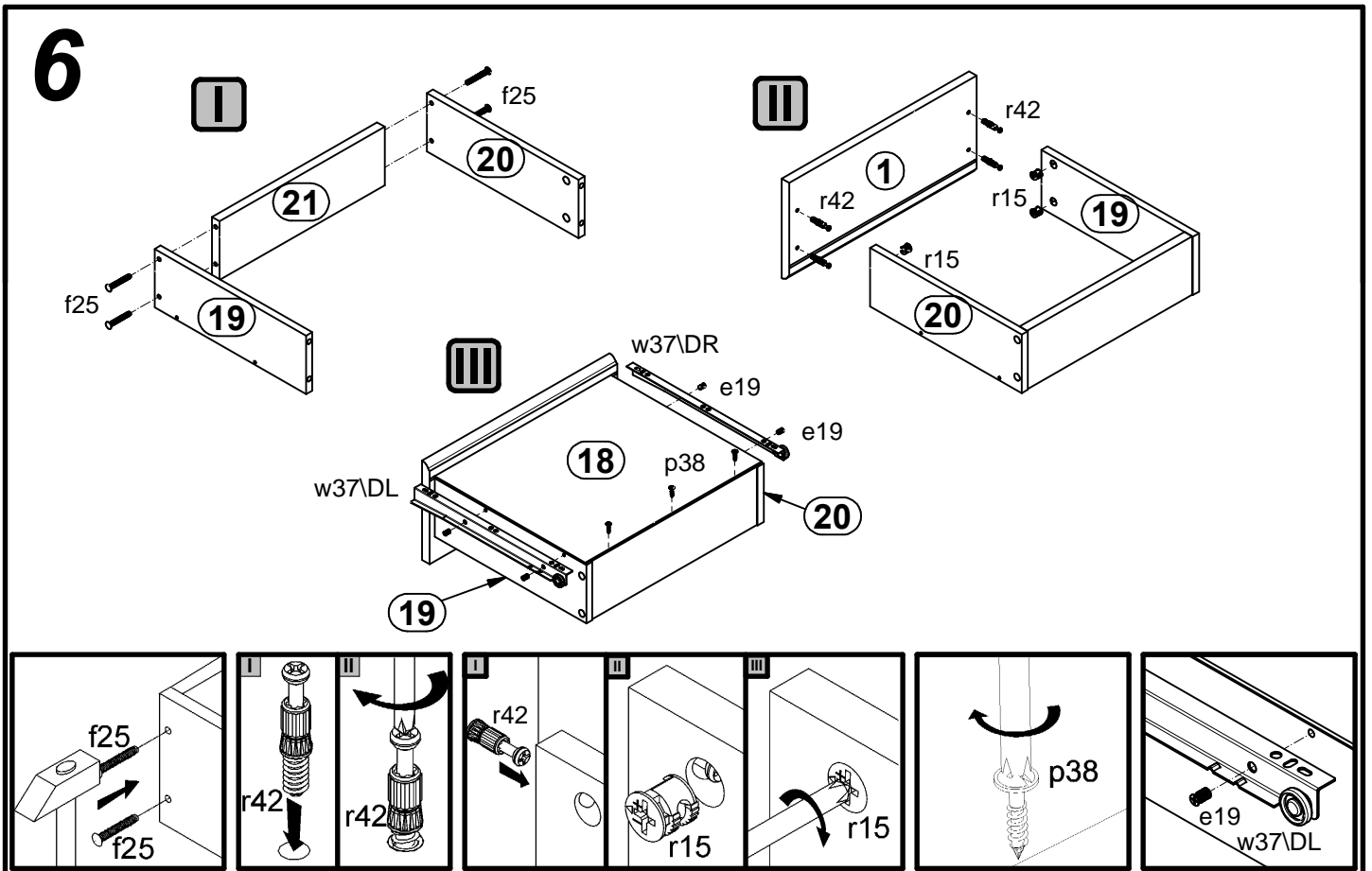
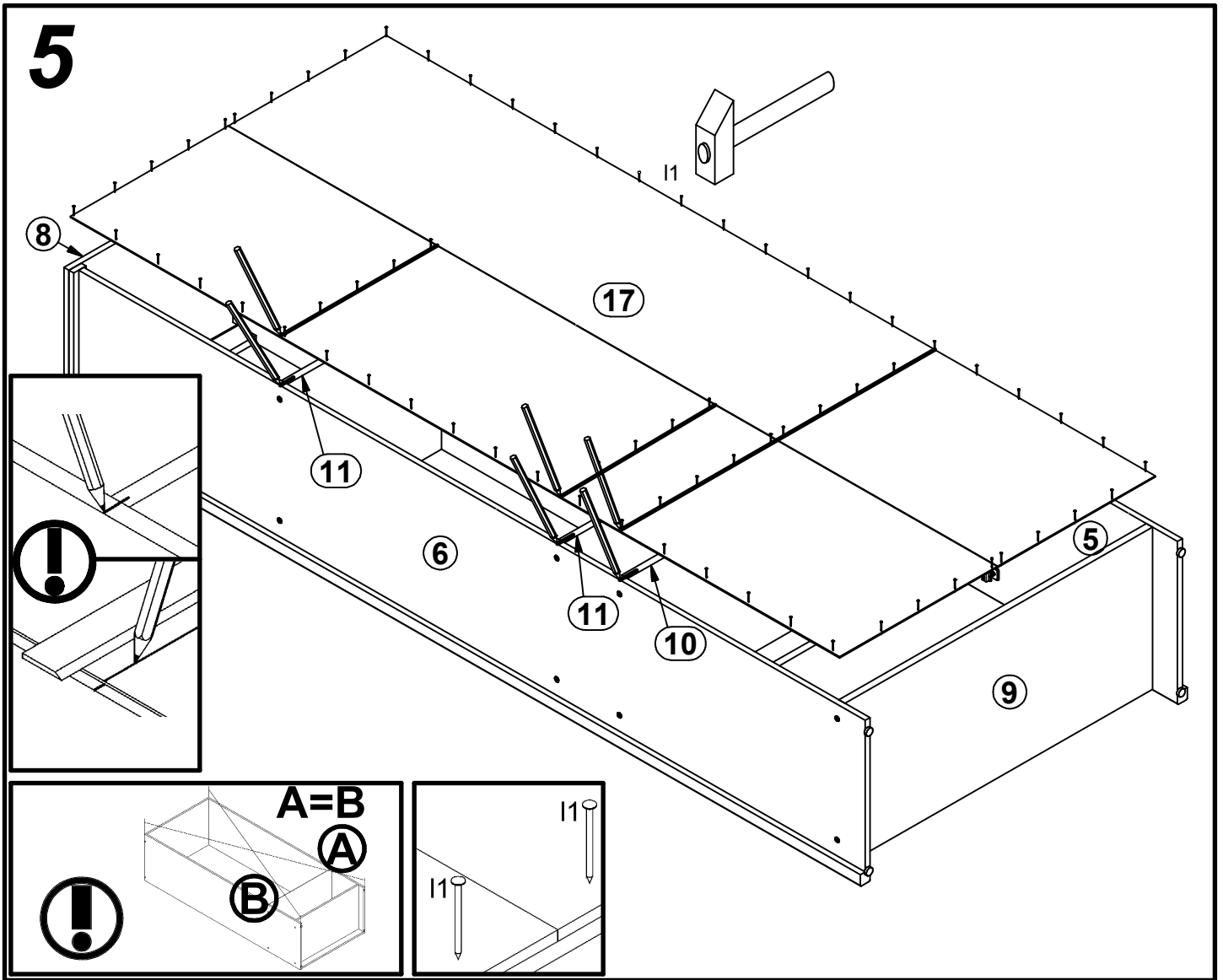


# 3



# 4





# 7

