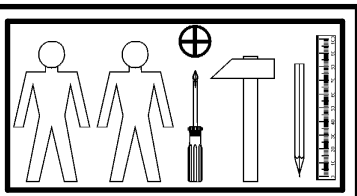
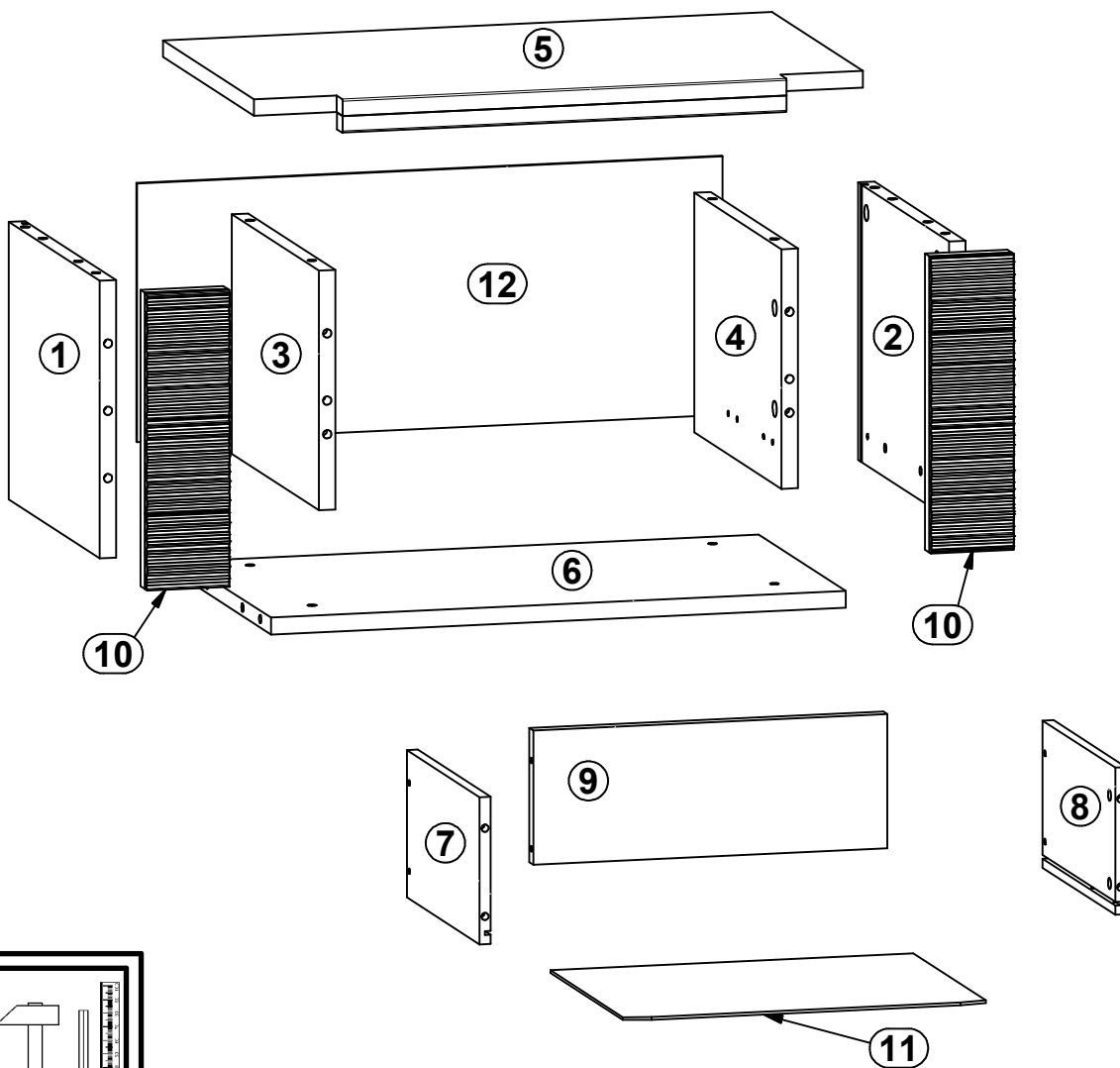
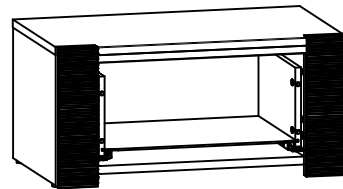
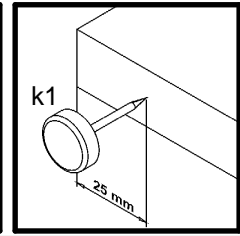
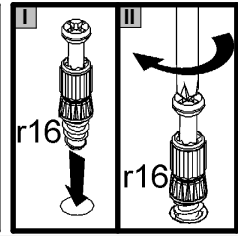
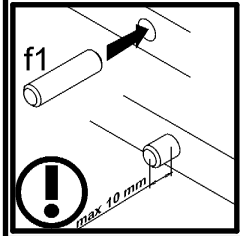
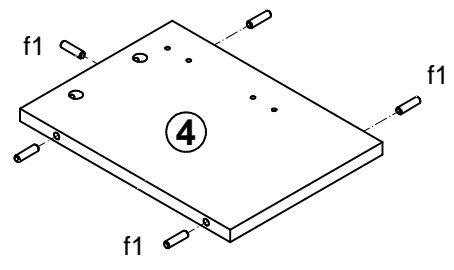
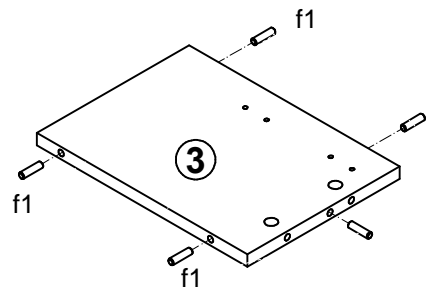
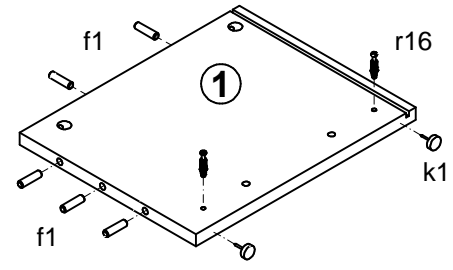
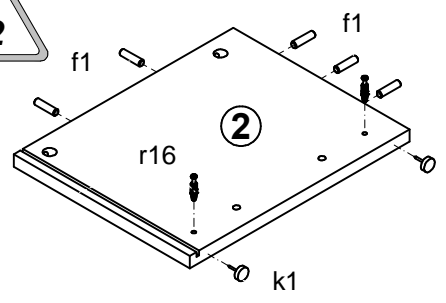


| A | B | C | D |
|----|----------|-----|-----|
| 1 | S126-125 | 264 | 329 |
| 2 | S126-126 | 264 | 329 |
| 3 | S126-127 | 228 | 315 |
| 4 | S126-128 | 228 | 315 |
| 5 | S126-203 | 590 | 351 |
| 6 | S126-301 | 557 | 315 |
| 7 | S126-501 | 300 | 160 |
| 8 | S126-502 | 300 | 160 |
| 9 | S126-503 | 392 | 146 |
| 10 | S126-573 | 282 | 80 |
| 11 | S126-902 | 402 | 306 |
| 12 | S126-907 | 567 | 246 |

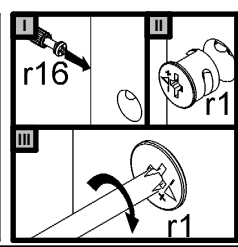
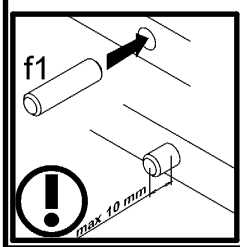
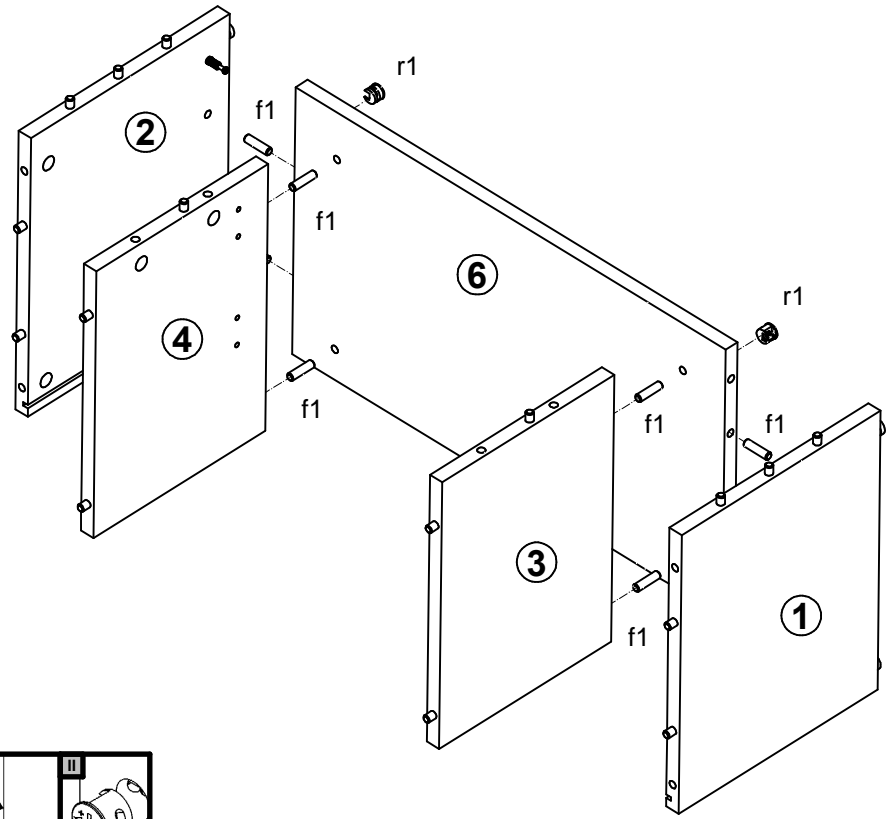


| | | | | | | | | |
|------------------------|------------------------|-------------------------|----------|-----------|-------------------------|----------------------------|-----------------------------|------------|
| 8x φ6x13 mm e3 | 24x φ8x30 mm f1 | 4x φ6.5x40 mm f25 | 4x k1 | 14x l1 | 3x φ3.5x16 mm p38 | 12x φ1.5x12mm #16 r1 | 4x φ12x10.5mm #12 r15 | 16x r16 |
| 1x 300 mm w79\ L | 1x 300 mm w79\ P | 1x z1 | | | | | | |

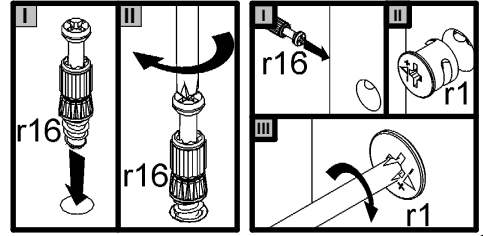
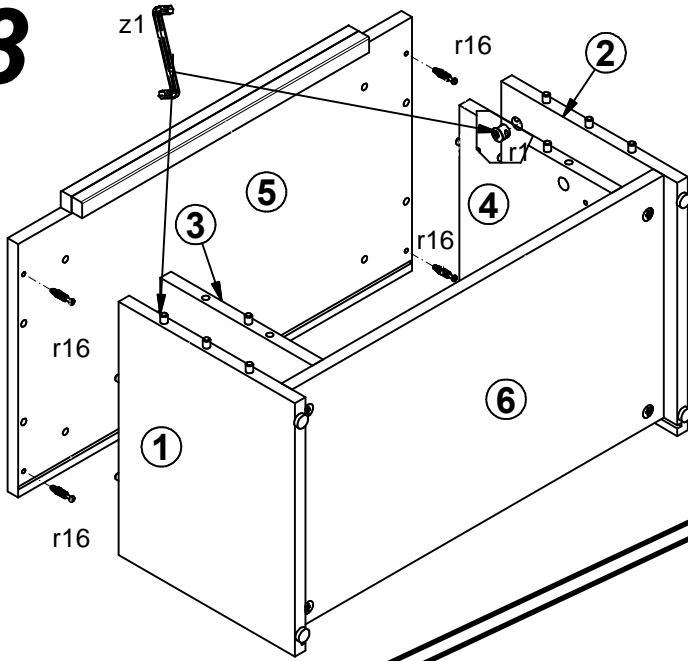
1



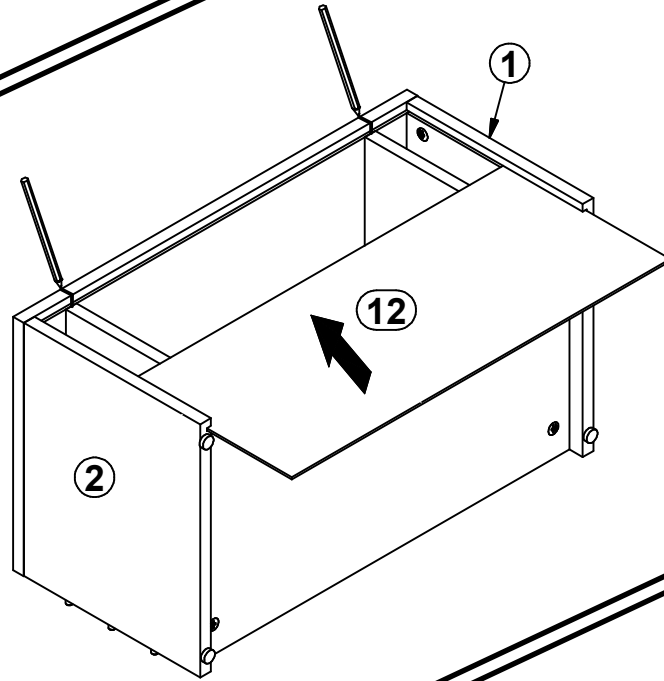
2



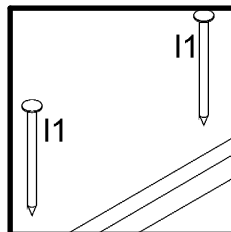
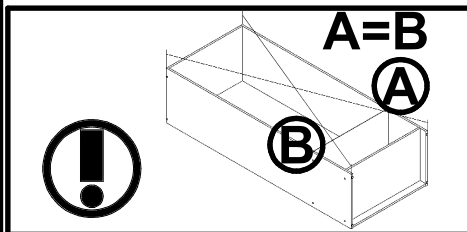
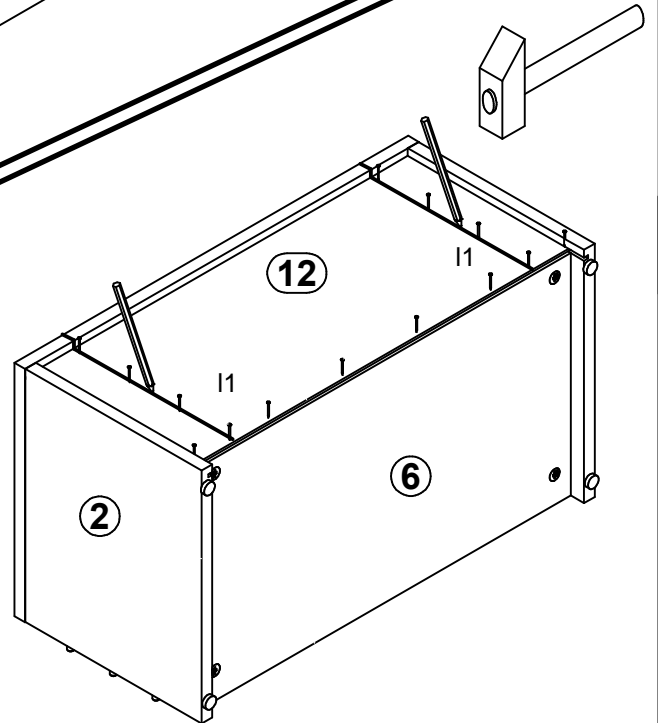
3



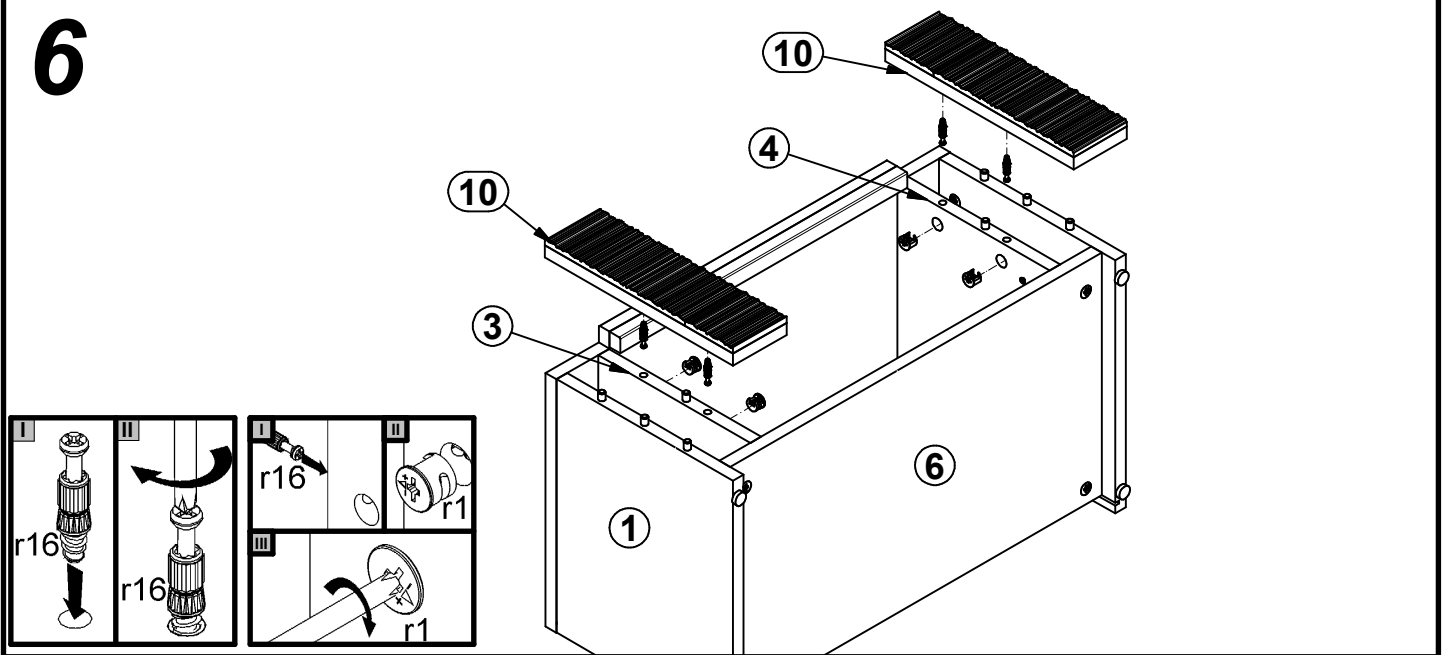
4



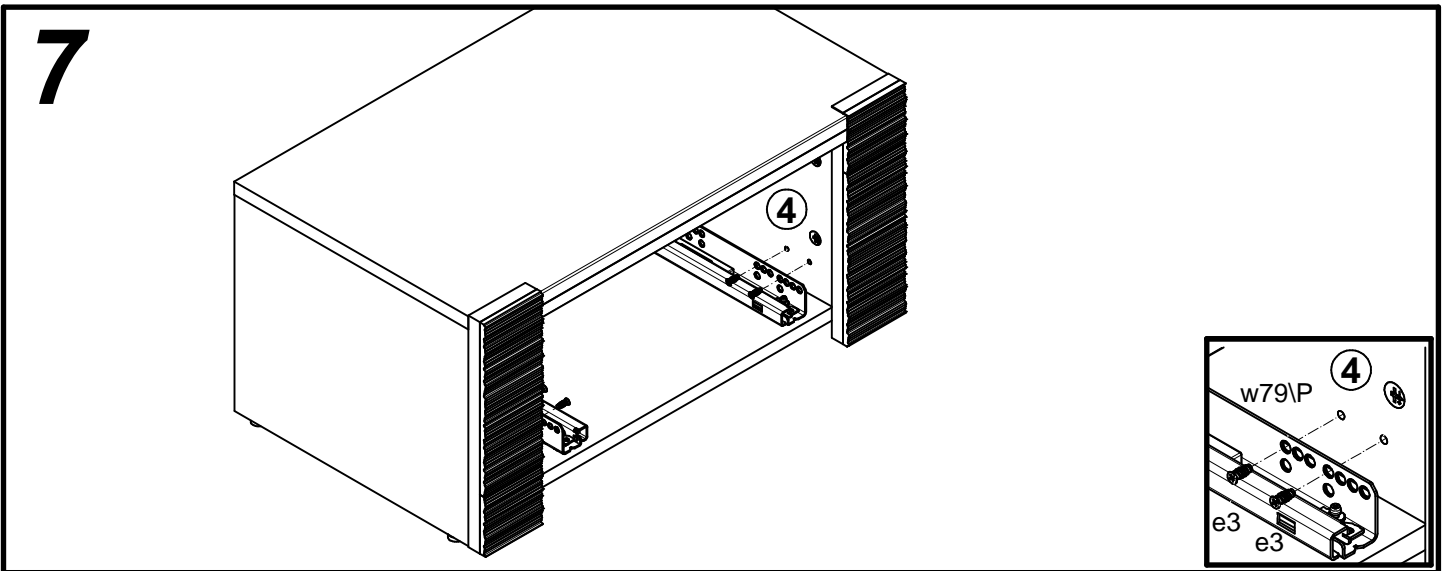
5



6



7



8

