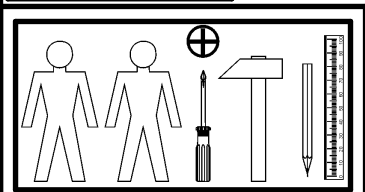
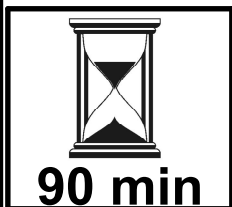
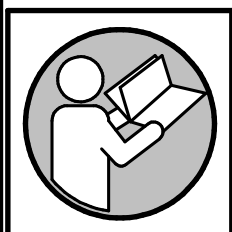
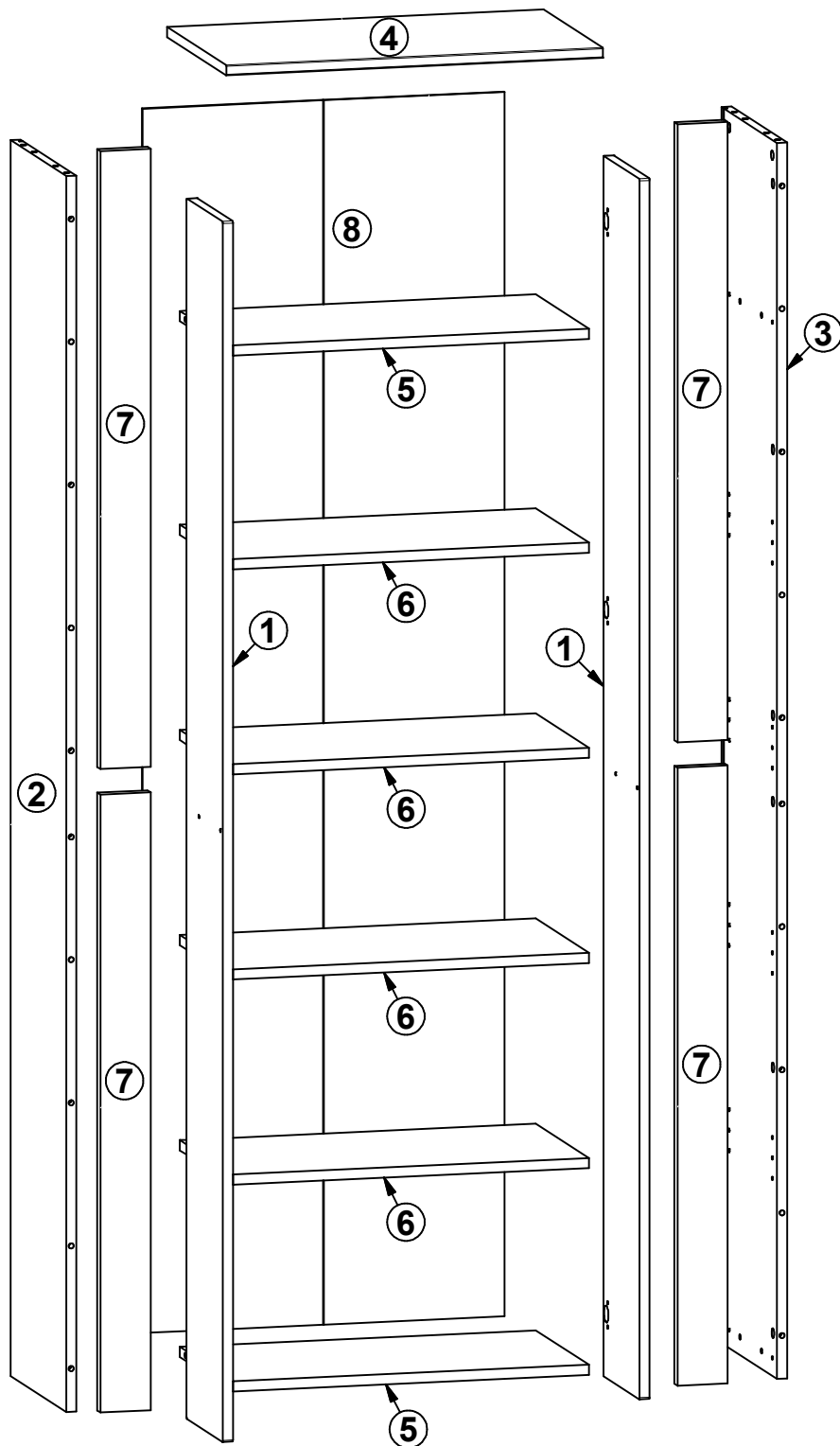
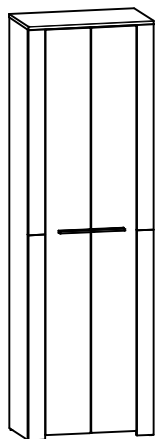


RAFLO

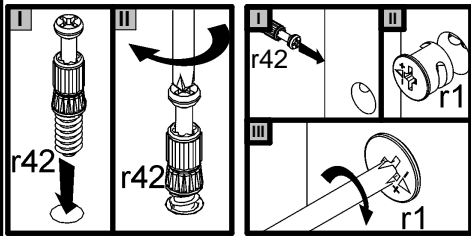
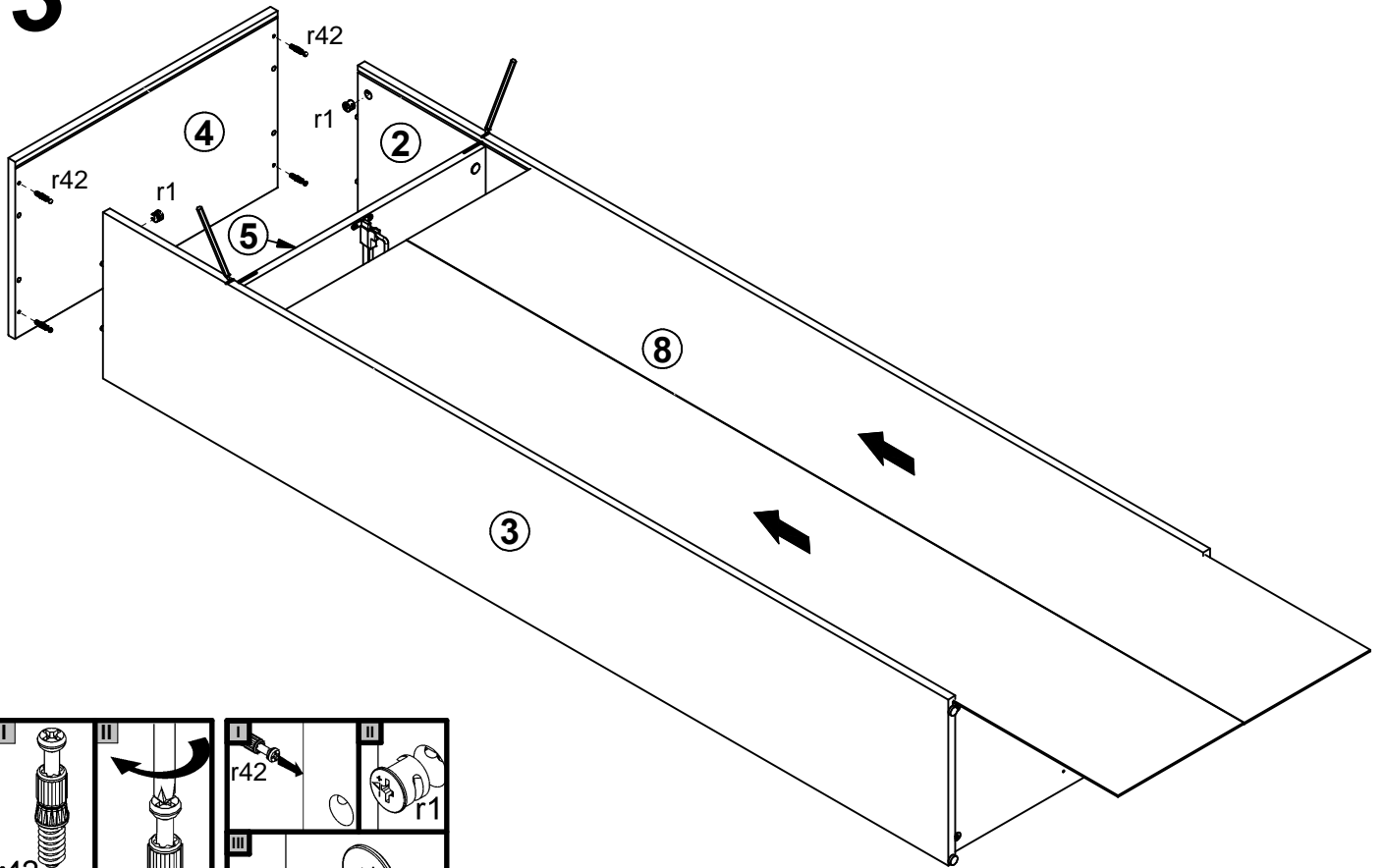
M108-REG2D/20/6

A	B	C	D
1	M108-001	1910	216
2	M108-101	1934	330
3	M108-102	1934	330
4	M108-201	600	352
5	M108-301	567	316
6	M108-302	567	316
7	M108-551	967	80
8	M108-9901	1916	577

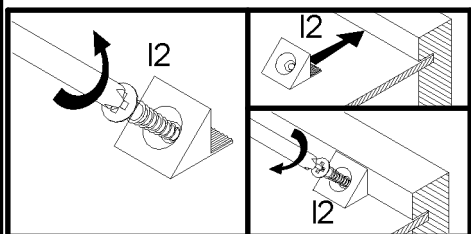
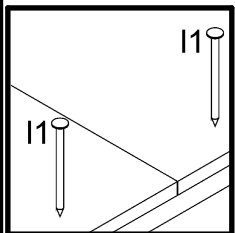
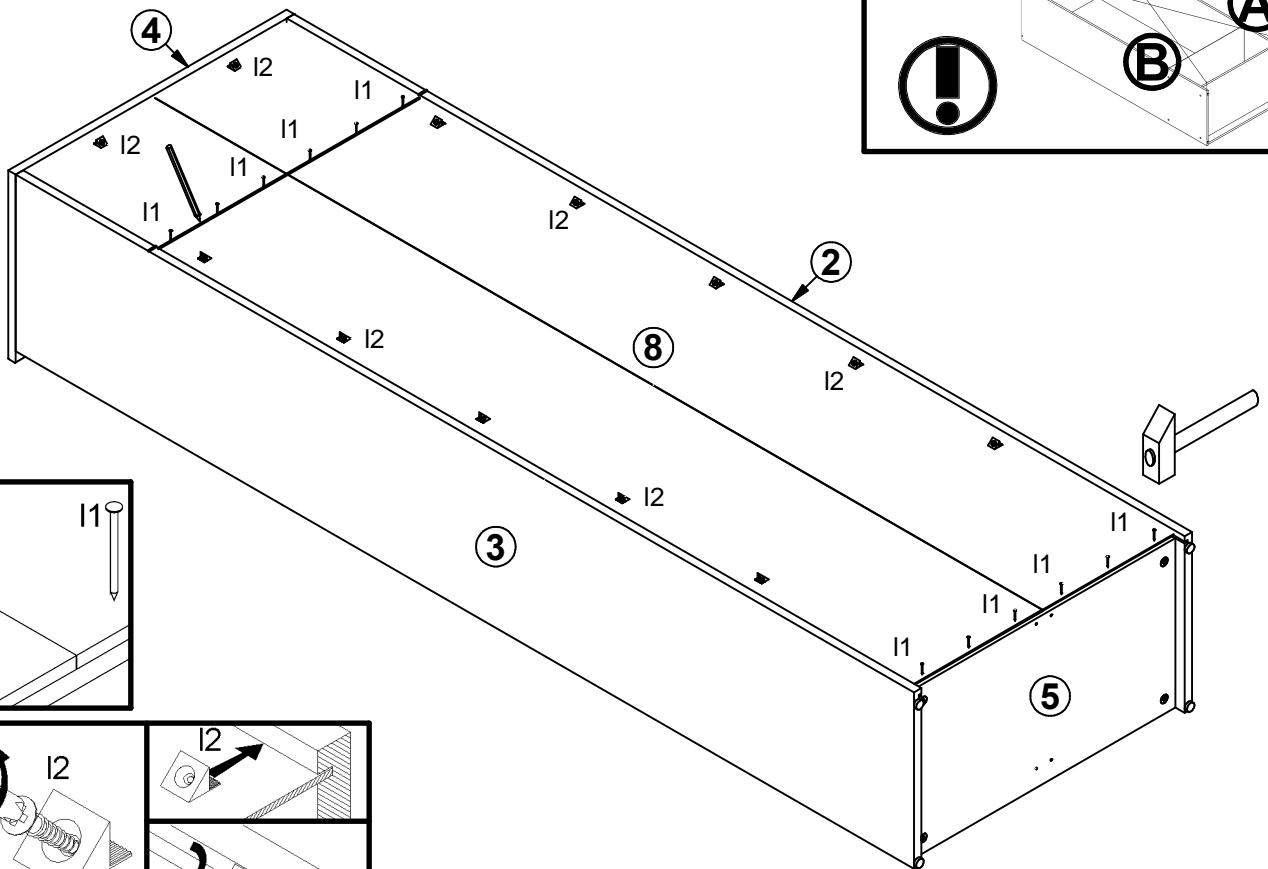


6x a11	6x b4	2x c253\3	16x d1 φ5x17 mm	12x e3 φ6x13 mm	20x f1 φ8x30 mm	4x k1	15x l1	12x i2
1x m6 L-300	4x o21 silikon	4x p27 φ3,5x13 mm	4x p9 φ4x30 mm	24x r1 φ15x12mm #16	24x r42	8x s2 ø16	1x n26\1	1x p38 φ3,5x16 mm

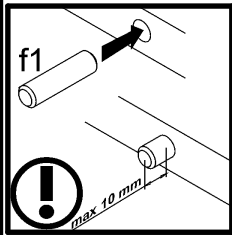
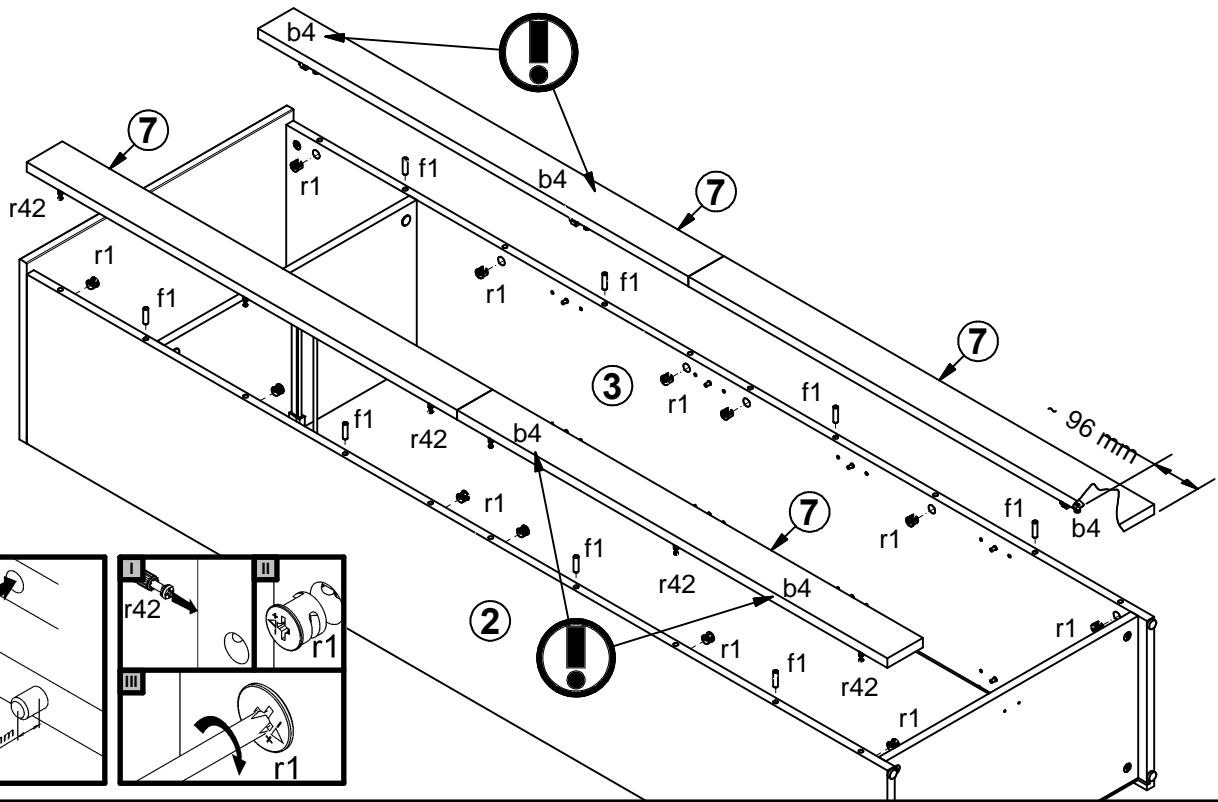
3



4



5



6

