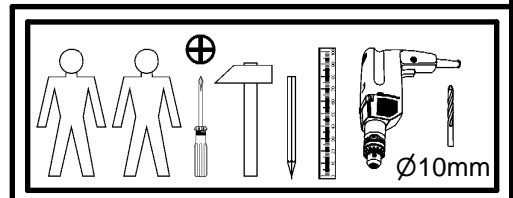
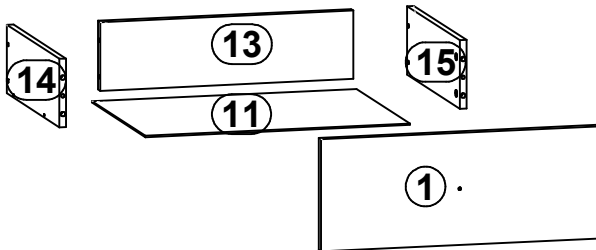
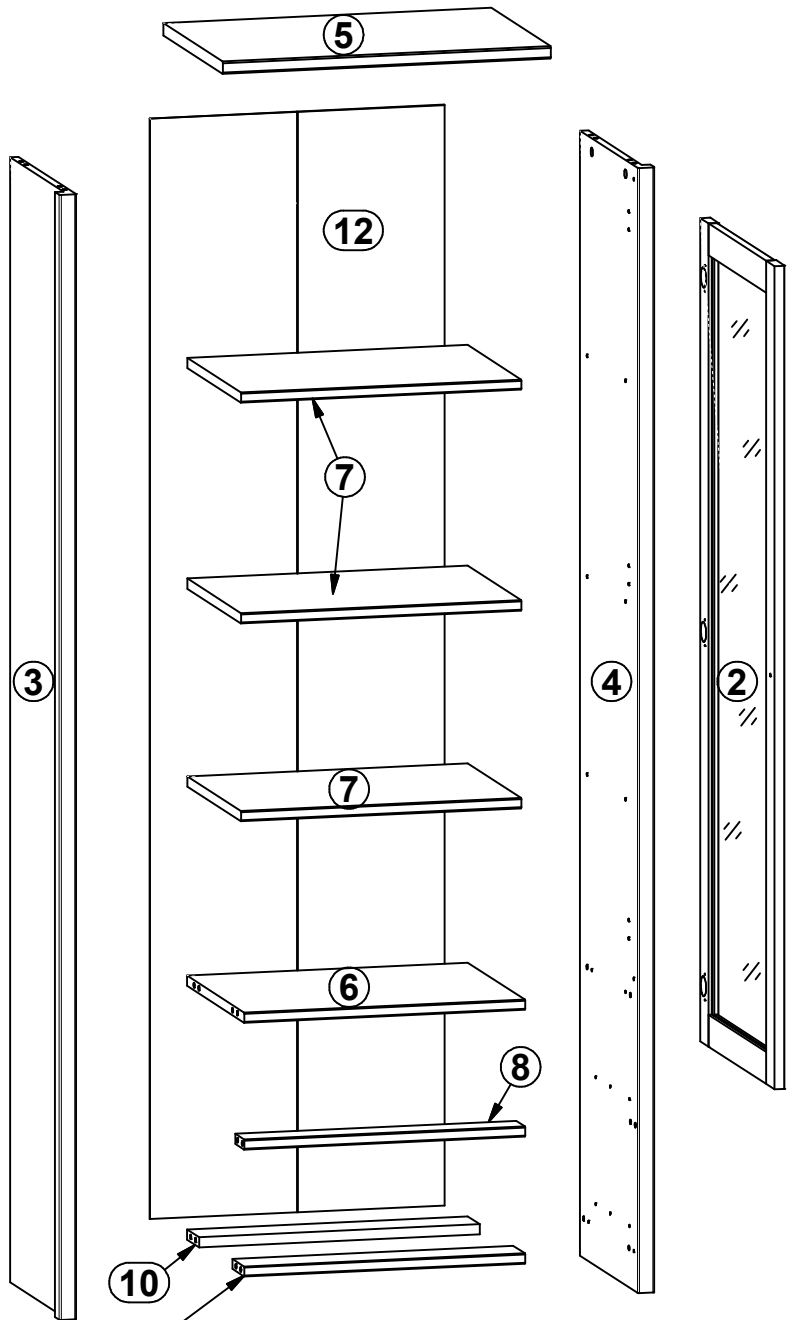
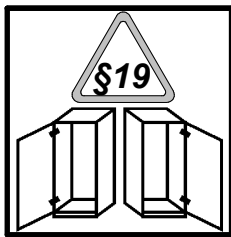
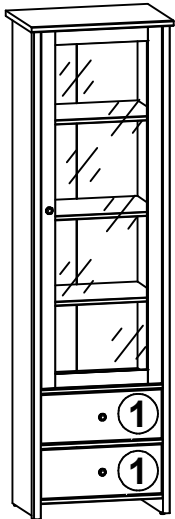
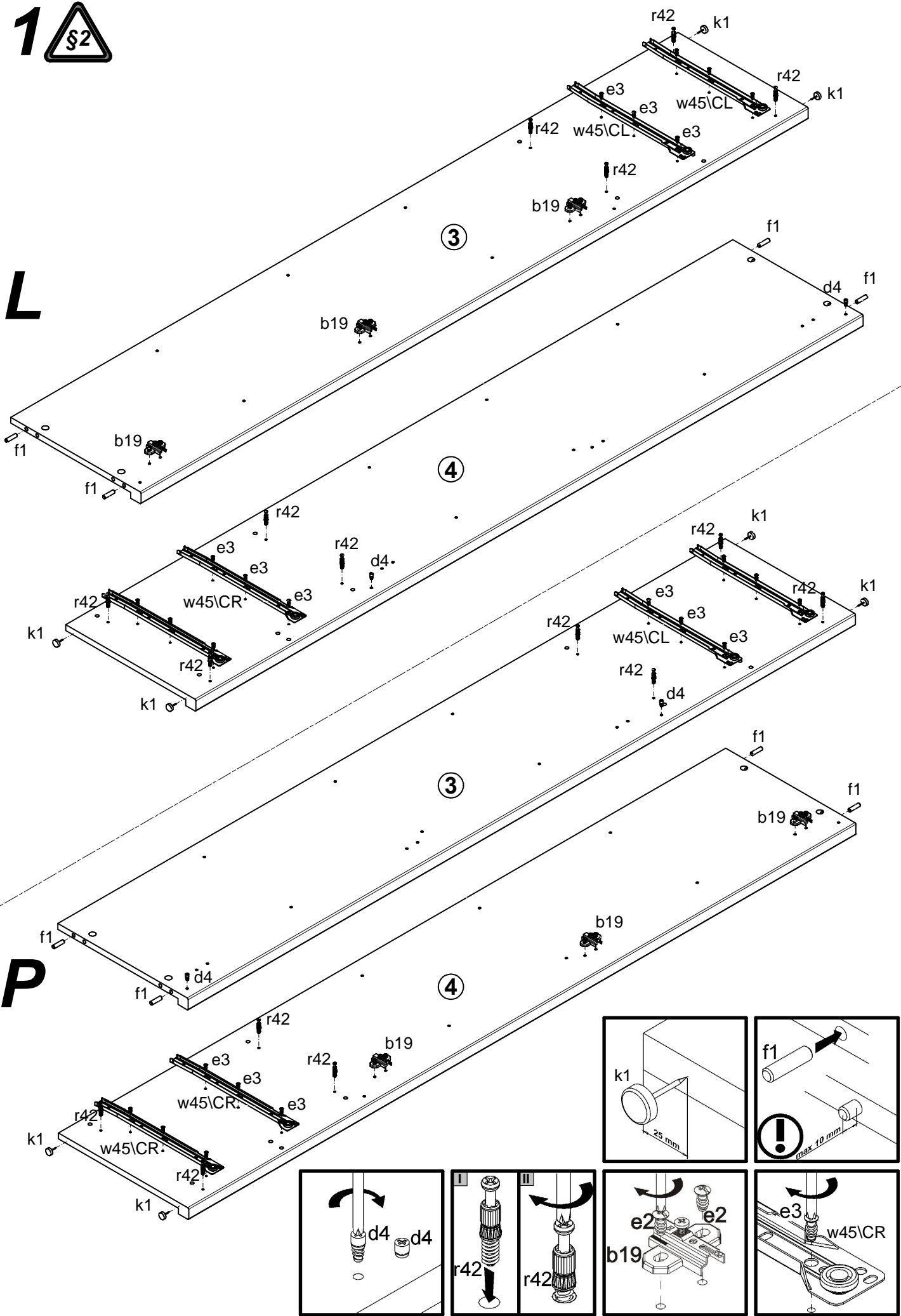


A	B	C	D	
1	S322-007	494	196	3/4
2	S322-008	1440	494	4/4
3	S322-109	1968	384	1/4
4	S322-110	1968	384	1/4
5	S322-204	584	395	2/4
6	S322-304	500	381	2/4
7	S322-305	499	357	2/4
8	S322-405	500	60	2/4
9	S322-406	500	80	2/4
10	S322-407	500	80	2/4
11	S322-909	471	355	2/4
12	S322-911	1925	525	1/4
13	ZS3-5536	451	120	2/4
14	ZS4-501	350	120	2/4
15	ZS4-502	350	120	2/4

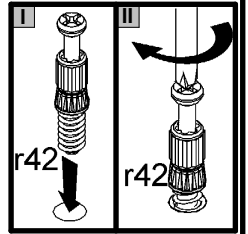
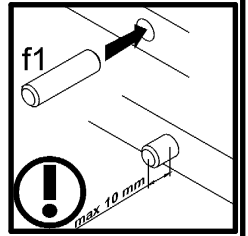
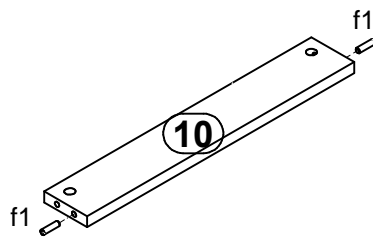
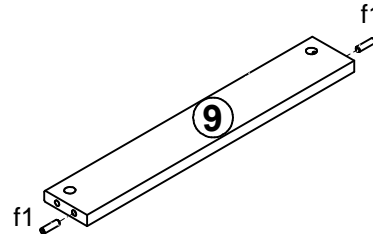
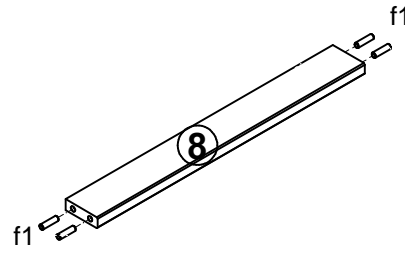
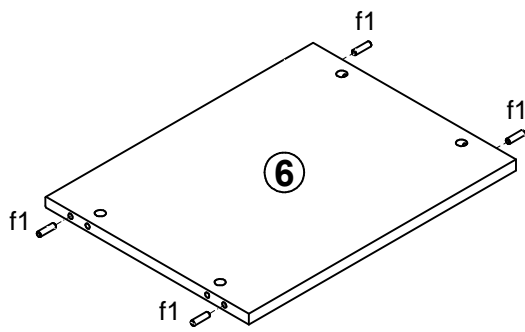
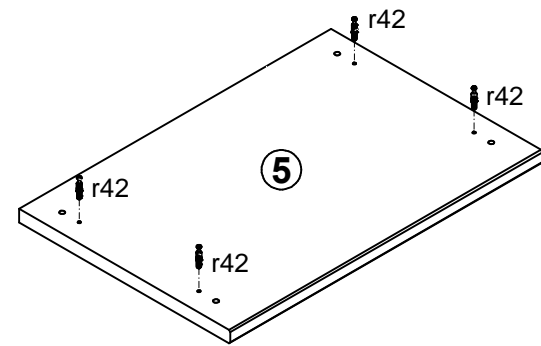


3x K16 a43	6x b19	3x M4 c415	12x Ø5x17 mm d1	2x Ø6.3x15 mm d4	12x Ø6x13 mm e3	8x Ø5x9 mm e19	16x Ø8x30 mm f1	4x Ø6x30 mm f9
8x Ø6.5x40 mm f25	2x M4x20 mm j1	1x M4x22 mm j30	4x k1	60x l1	8x Ø3.5x16 mm p38	6x Ø3.5x15 mm p51	12x Ø15x12 mm #16 r1	8x Ø12x10.5 mm #12 r15
20x 20/11 r42	2x 350 mm w45\CL	2x 350 mm w45\CR	2x 350 mm w45\DL	2x 350 mm w45\DR	4x Ø16 s2	1x n26\1	1x Ø3.5x16 mm p38	

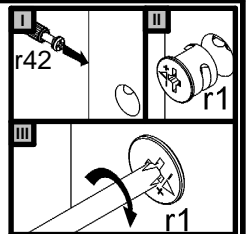
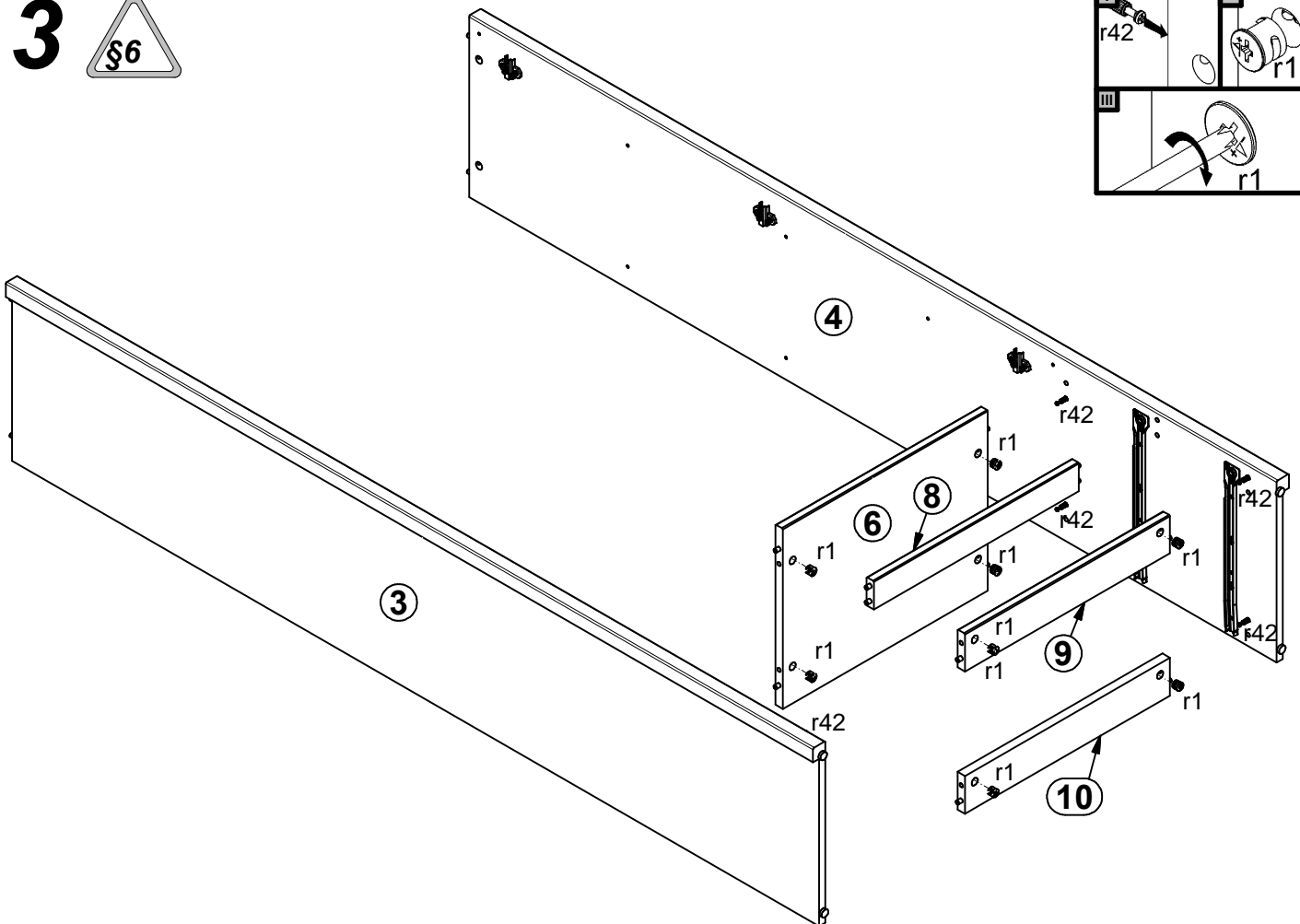
1 

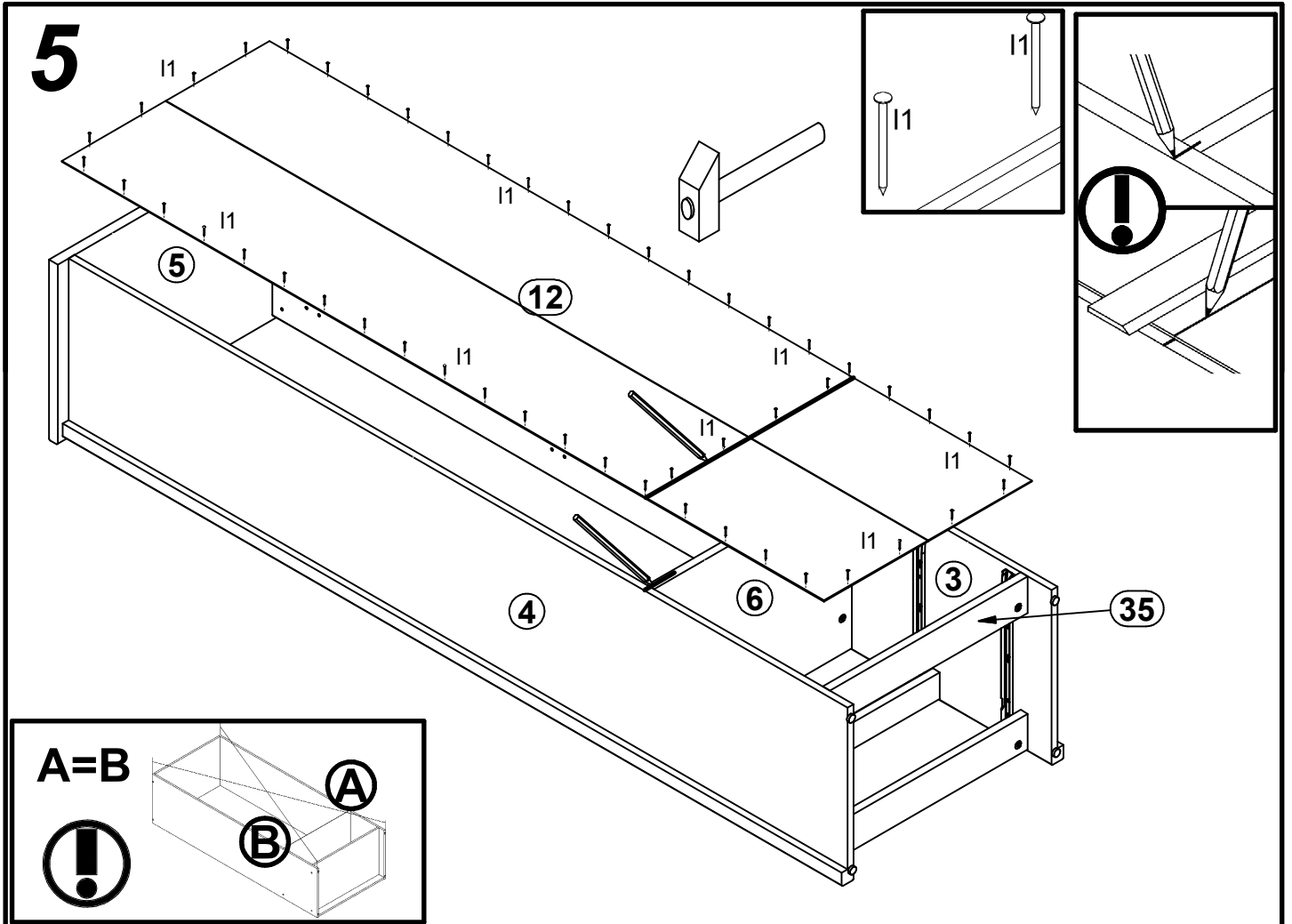
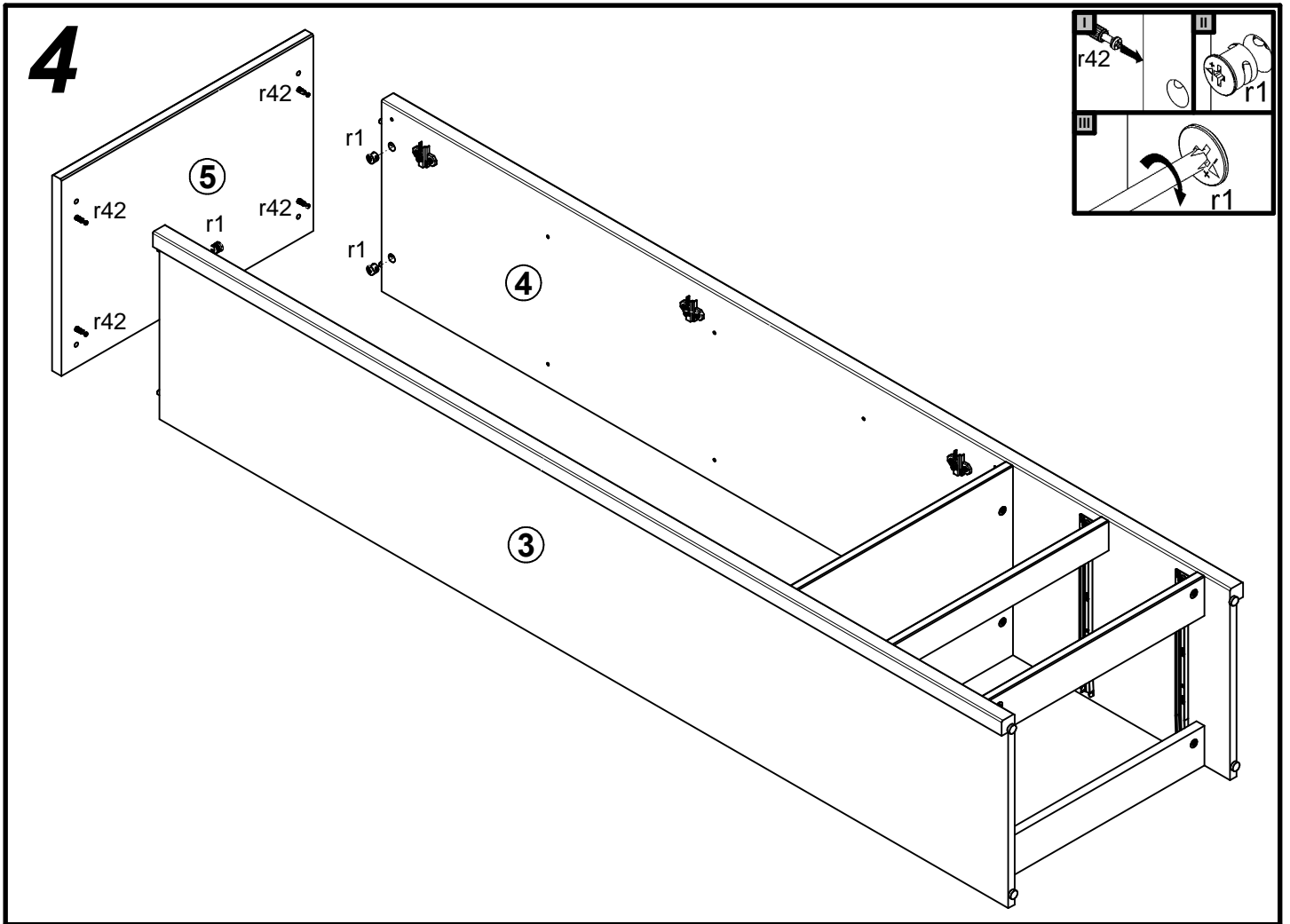


# 2

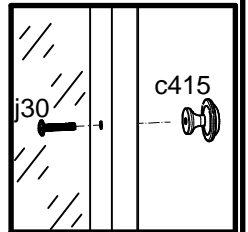
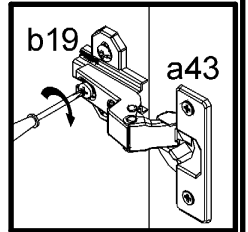
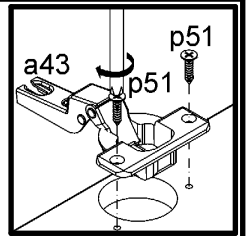
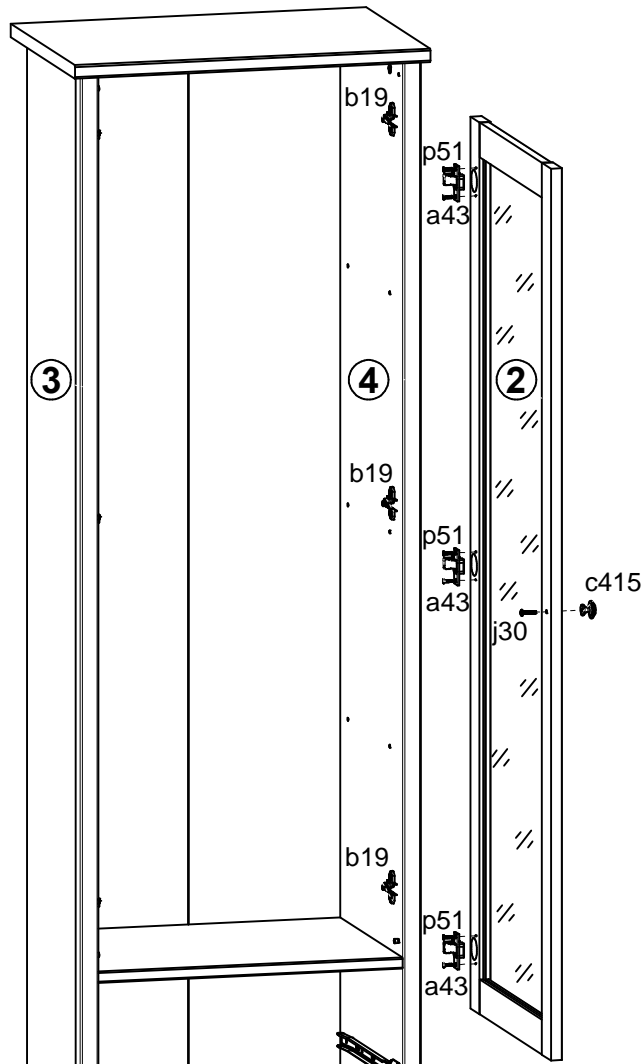


# 3

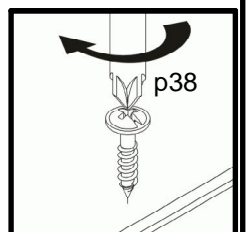
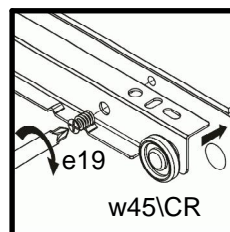
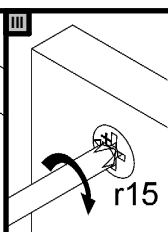
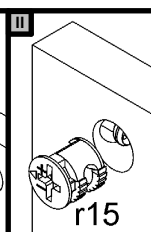
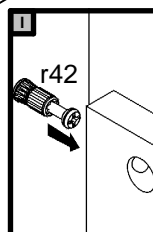
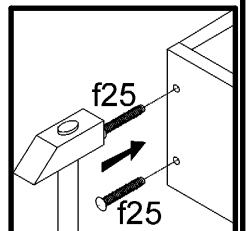
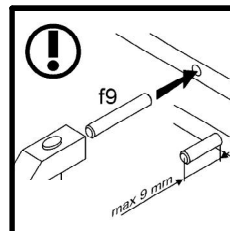
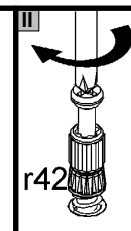
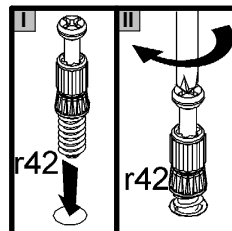
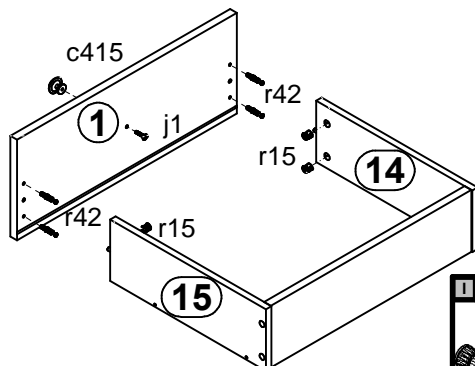
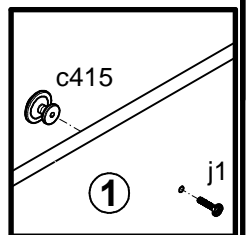
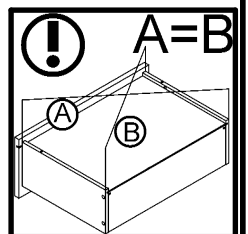
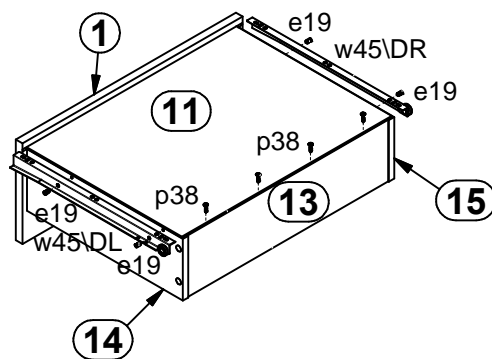
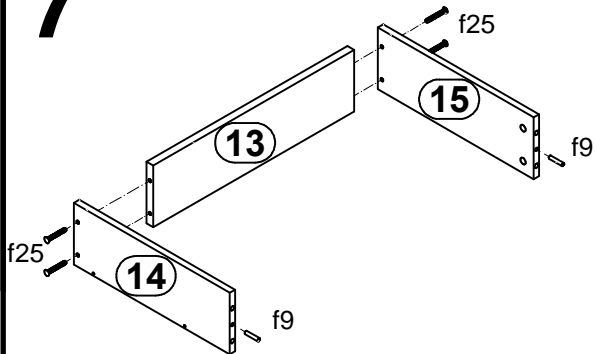




# 6



# 7



# 8

