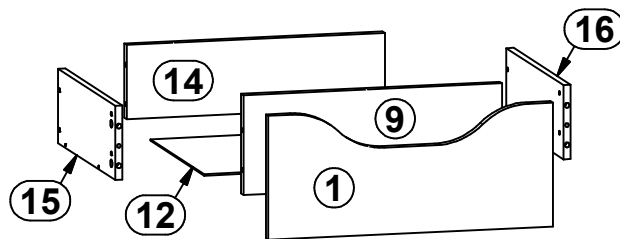
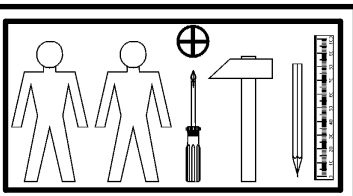
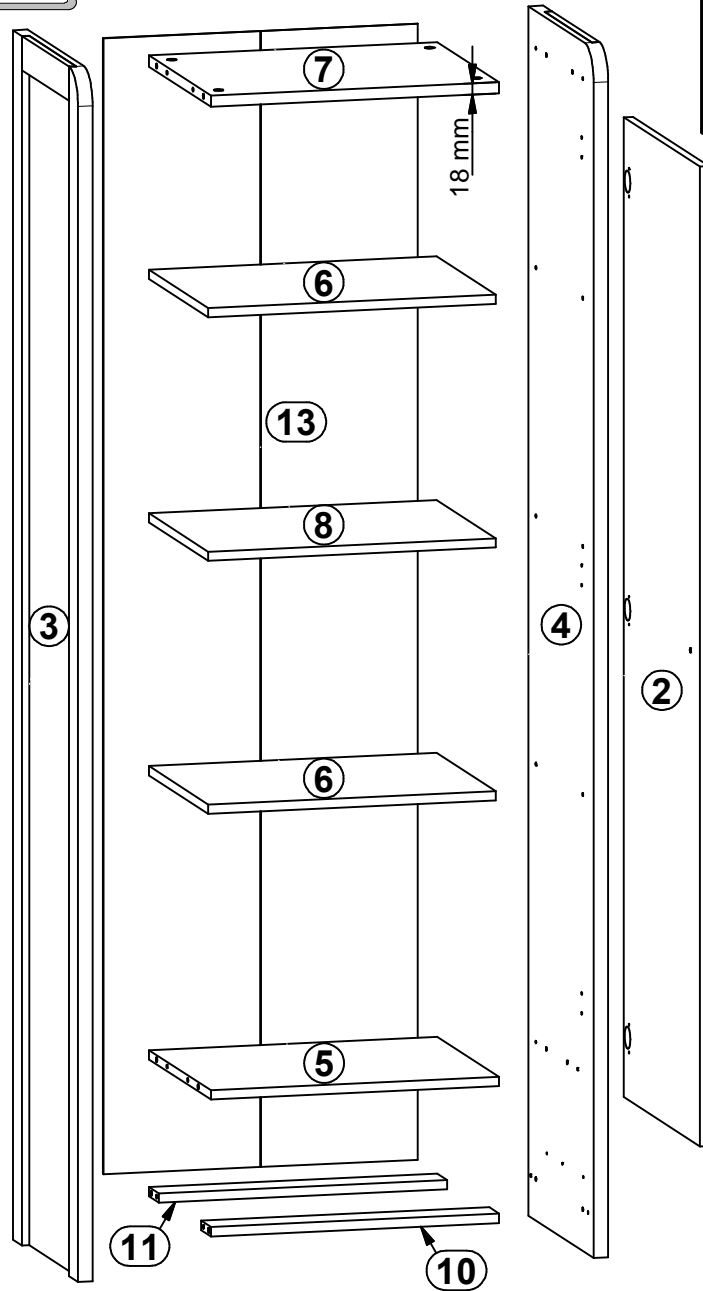
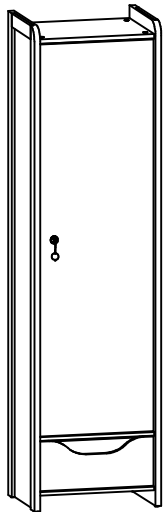


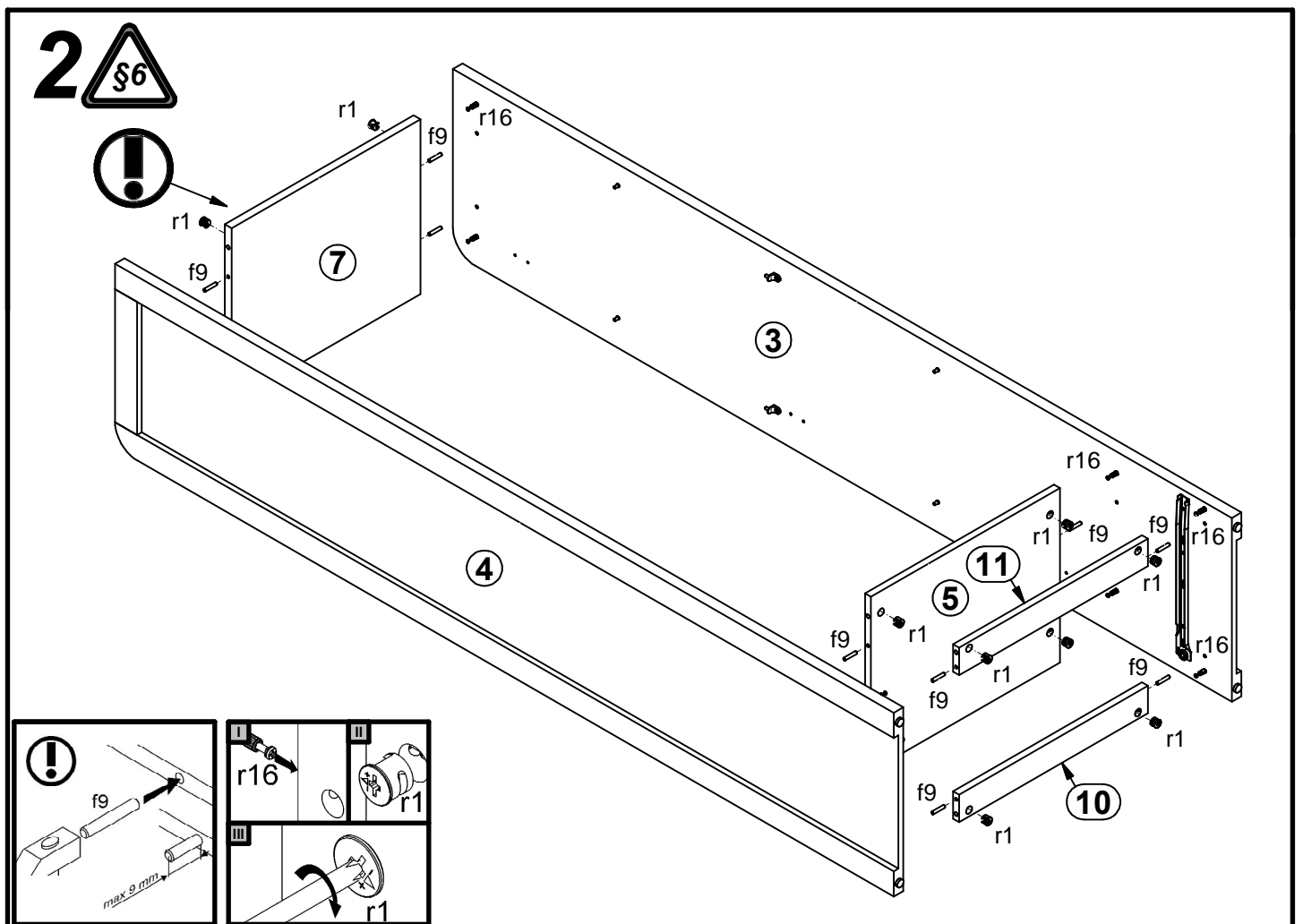
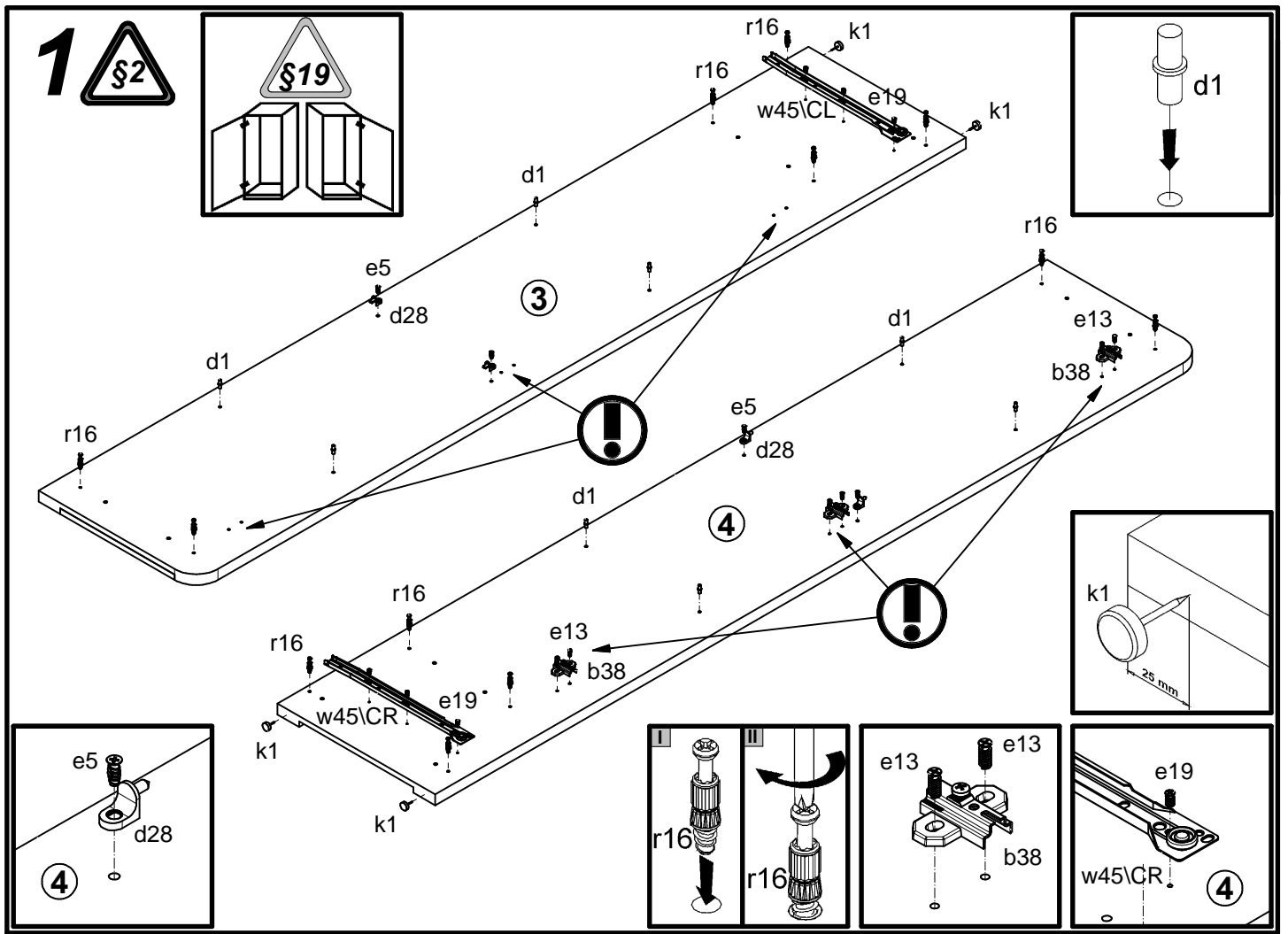
# HiHOT

# S193-REG1D1S

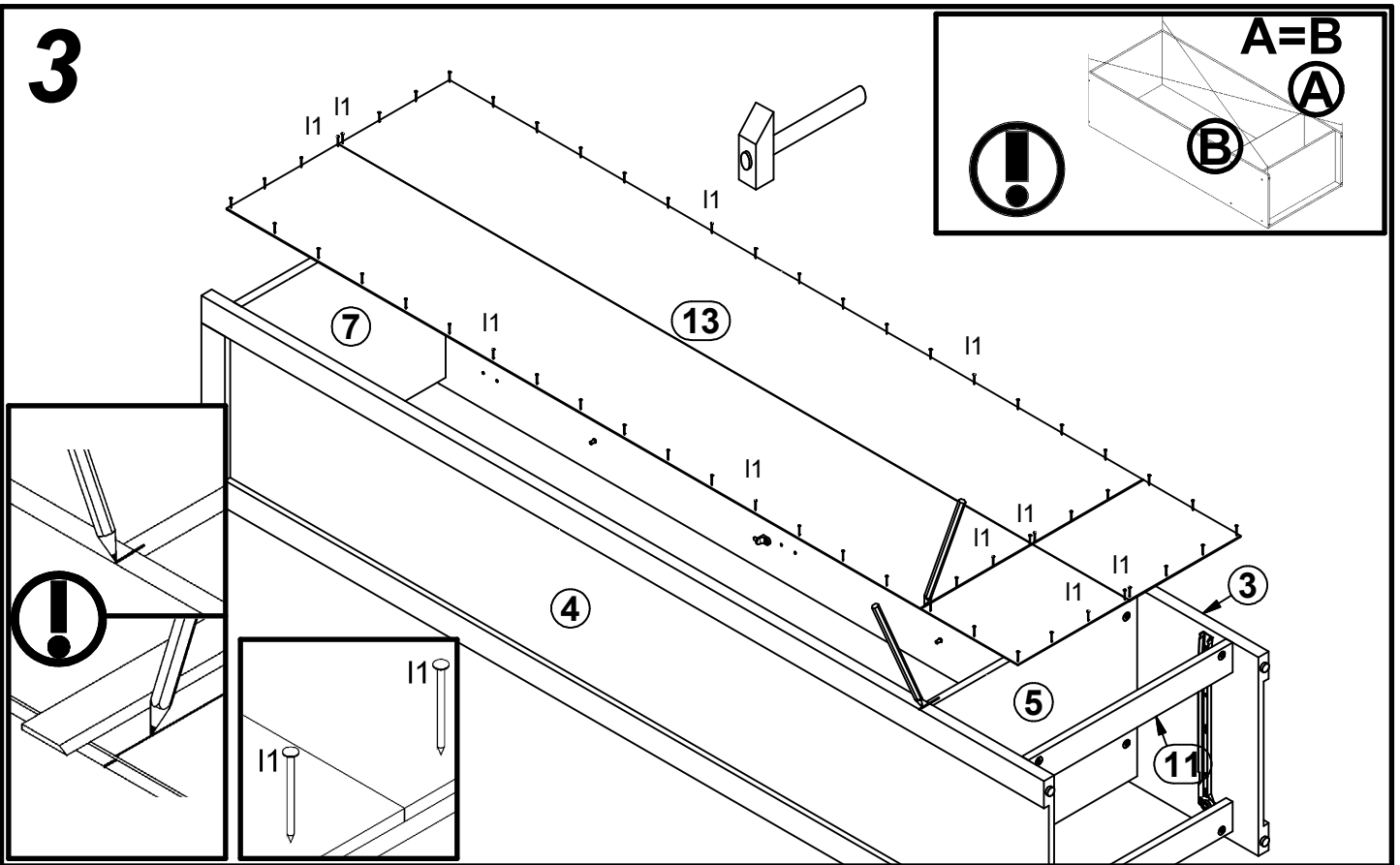
A	B	C	D
1	S193-008	468	200
2	S193-010	1583	468
3	S193-117	1954	400
4	S193-118	1954	400
5	S193-302	474	380
6	S193-308	473	364
7	S193-315	474	380
8	S193-319	473	364
9	S193-404	425	161
10	S193-405	474	60
11	S193-406	474	60
12	S193-904	447	330
13	S193-909	1835	517
14	ZS3-5555	425	120
15	ZT5-501	350	120
16	ZT5-502	350	120



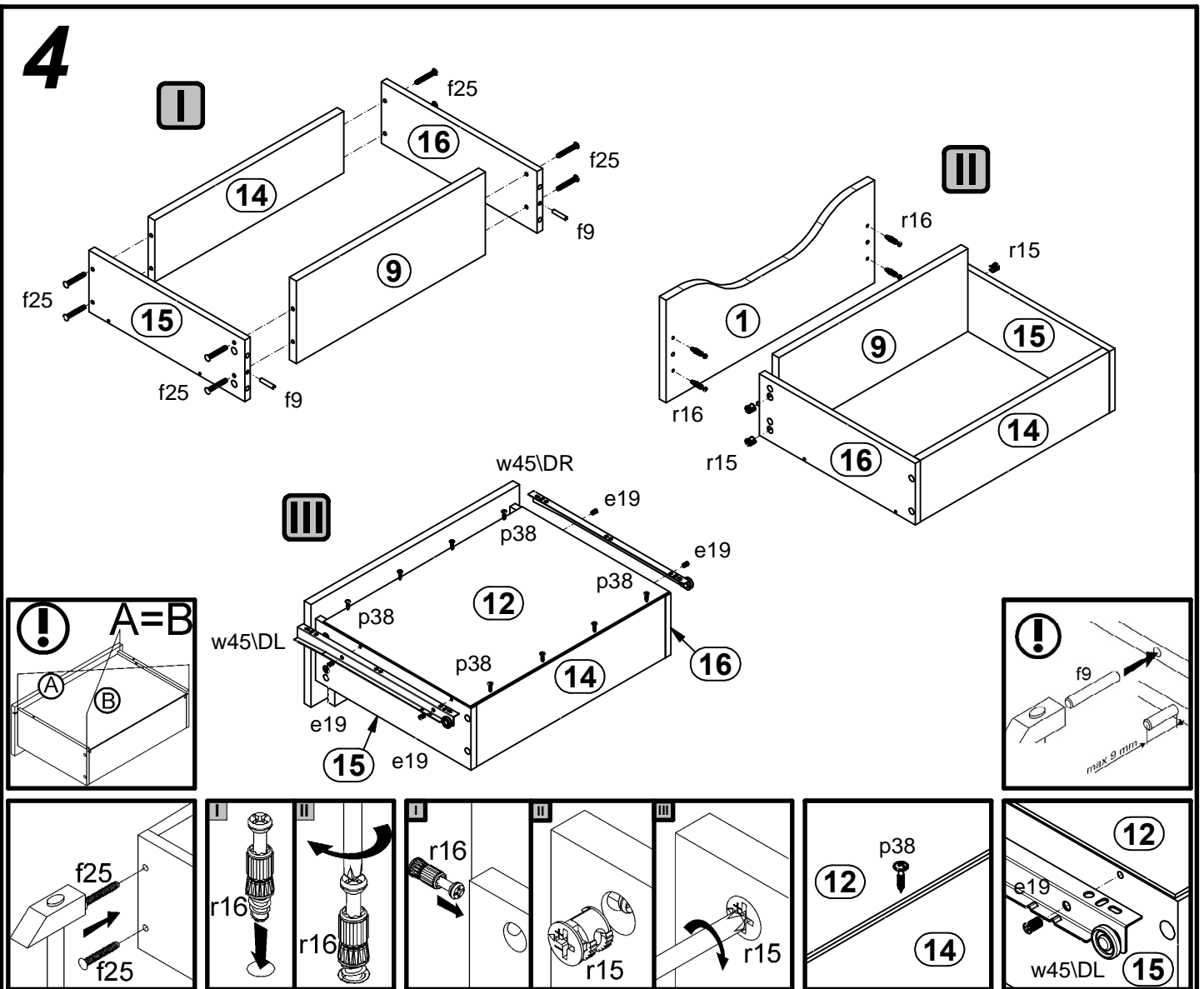
3x  a43	3x  b38	1x  c353\1	8x  Ø5x17 mm d1	4x  d28	4x  Ø6.3x13 mm e5	6x  Ø5.5x13 mm e13	10x  Ø5x9 mm e19	8x  Ø6.5x40 mm f25
14x  Ø6x30 mm f9	1x  M4x14 mm j29	4x  k1	55x  l1	8x  Ø3.5x16 mm p38	6x  Ø3.5x15 mm p51	12x  Ø15x12 mm #16 r1	4x  Ø12x10.5 mm #12 r15	16x  r16
1x  350 mm w45\CL	1x  350 mm w45\CR	1x  350 mm w45\DL	1x  350 mm w45\DR	1x  n26\1	1x  Ø3.5x16 mm p38			



# 3



# 4



# 5

